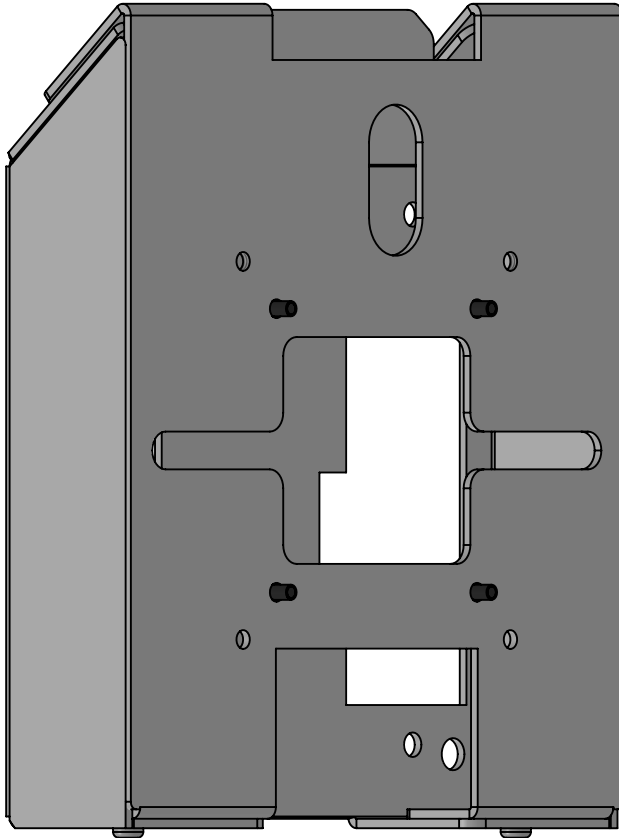


Installation Guide

Installation Guide for SPV1107





CAUTION

- Please don't power the hardware, until the entire solution is fully assembled.
- If these installation instructions are not followed precisely, it could lead to product failure and potential personal injury.
- Ergonomic Solutions cannot be held responsible for any product failure or personal injury, if the installation instructions are not followed correctly.
- Ergonomic Solutions cannot be held responsible for any product failure or personal injury, if any modifications have been made to the product by the customer.

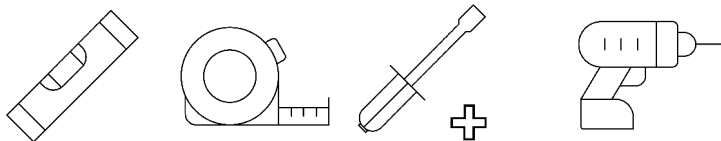
-

MAINTENANCE

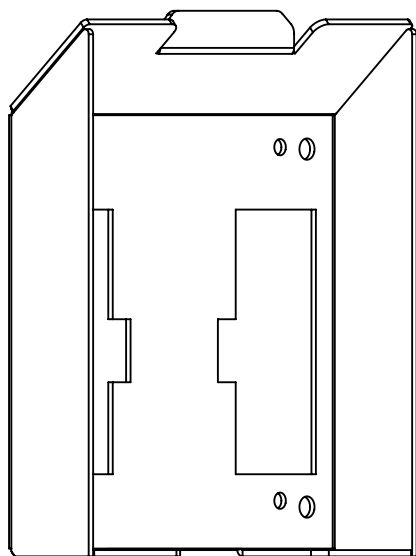
- It is the responsibility of the customer to periodically check the installation and ensure it is clean, all air ventilation holes are free and all fixings are tightened correctly.

-

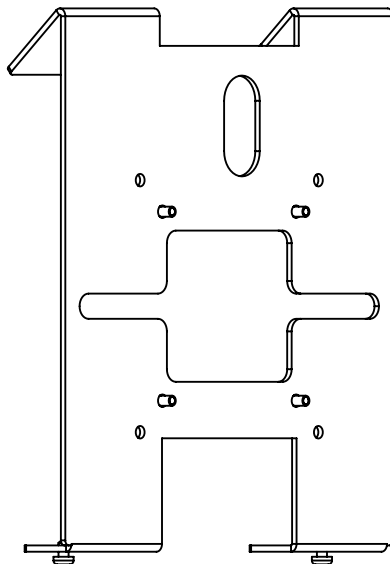
Tool list



Box content



1x (A)



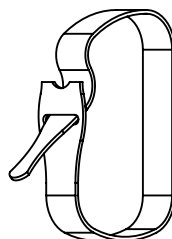
1x (C)

Fixing pack MK8-0006 included, containing:

4x Pozi pan head machine screw, M4x8mm

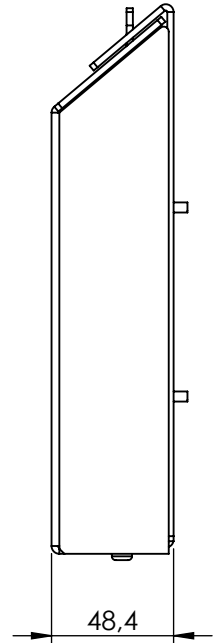
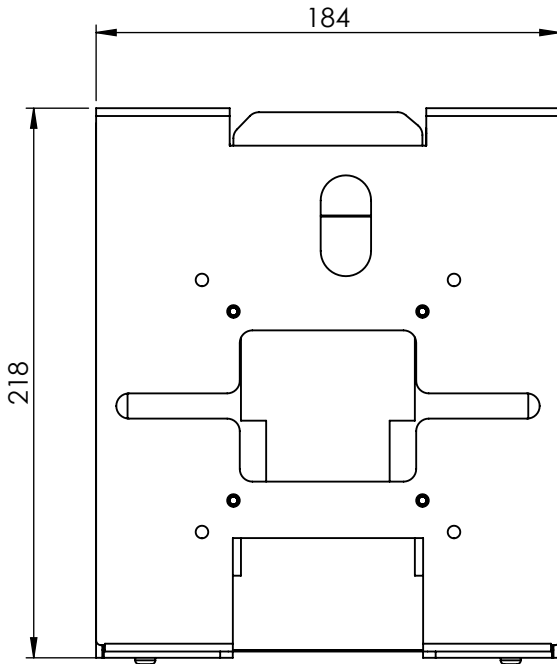
Note

Wall screws are not included and must be selected by the user according to the wall type.



1x (B)

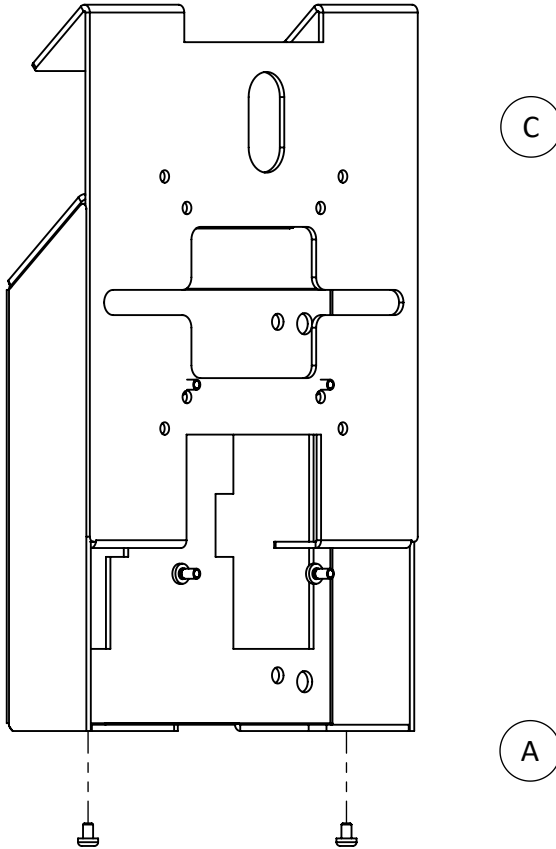
Dimensions [mm]



Steps

Preparation:

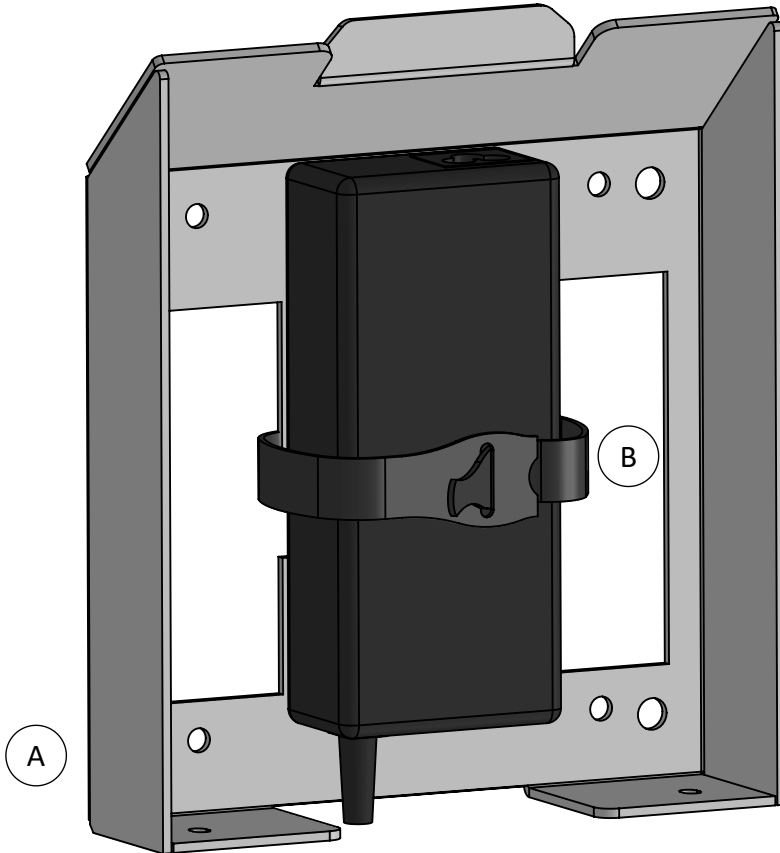
Loosen the two lower screws and separate the screen bracket **Part C** from the wall plate **Part A**.



Steps

Step 1:

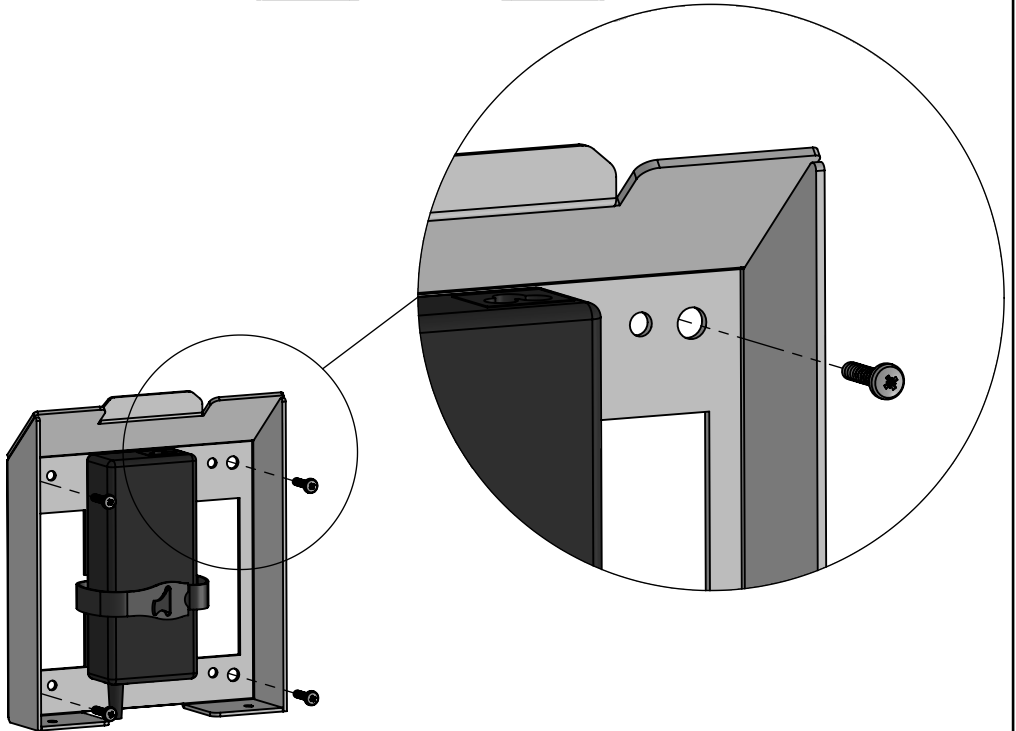
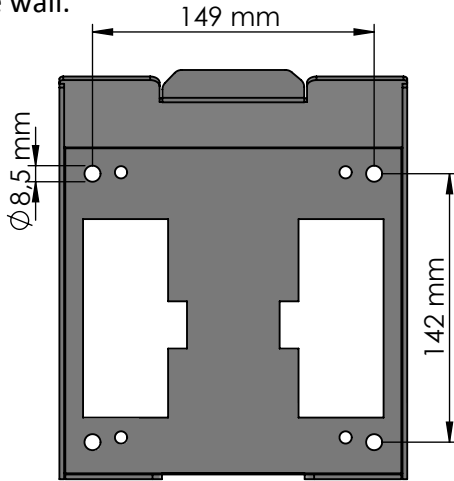
Place the IBM power pack over **part A** and secure it using the cable tie **Part B**.



Steps

Step 2:

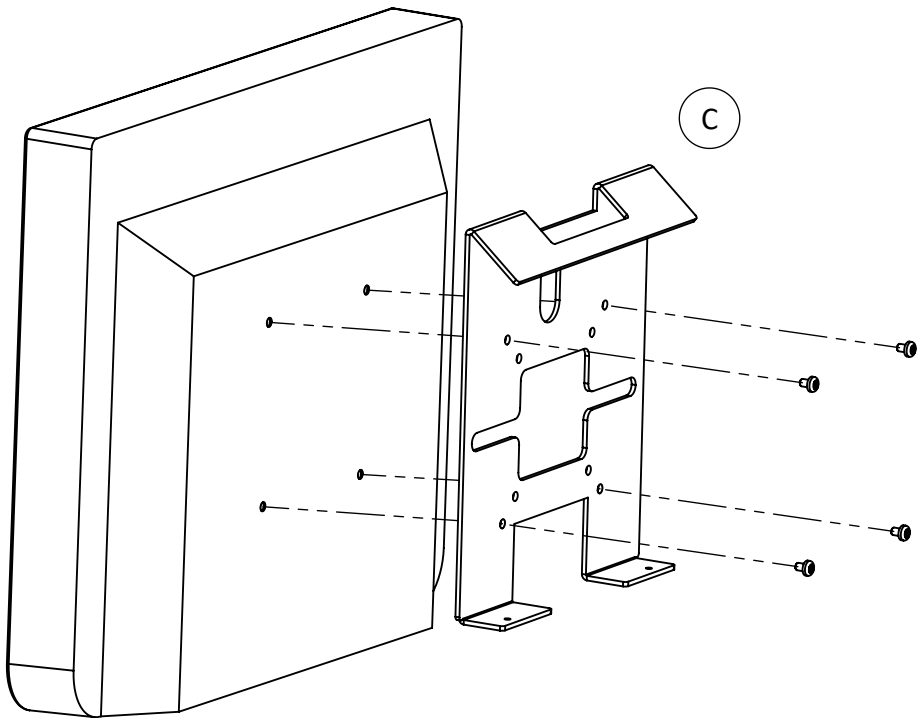
Using the specified dimensions, mark the mounting hole positions. Select screws suitable for the wall material and securely fasten the wall plate to the wall.



Steps

Step 3:

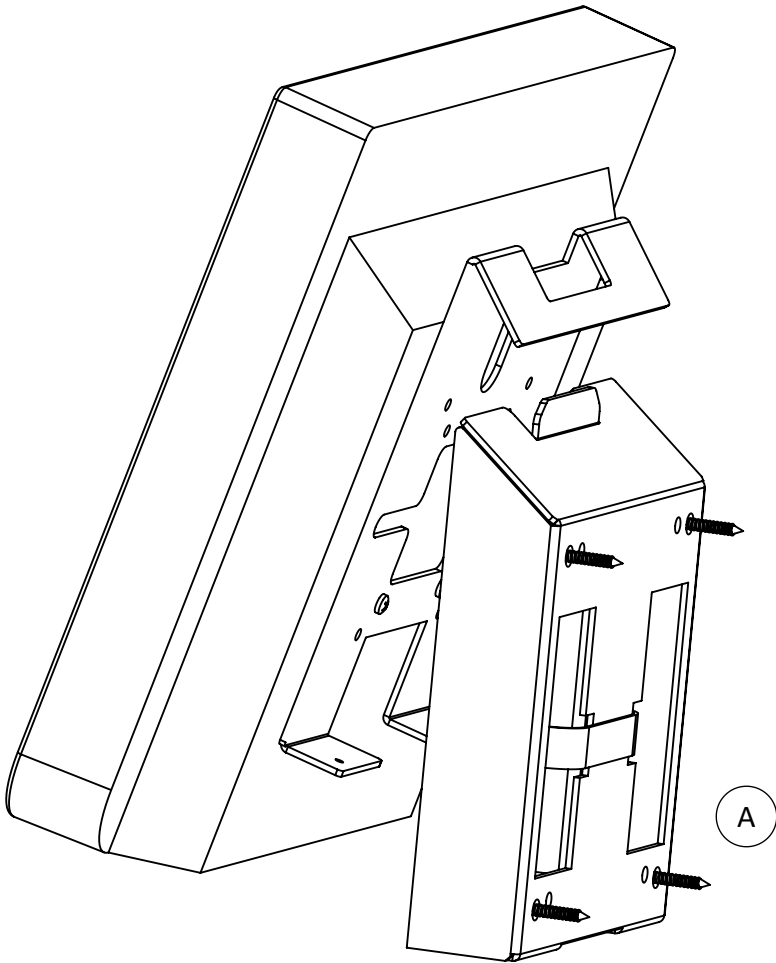
Place the plate **Part C** against the screen and secure it using screws.



Steps

Step 4:

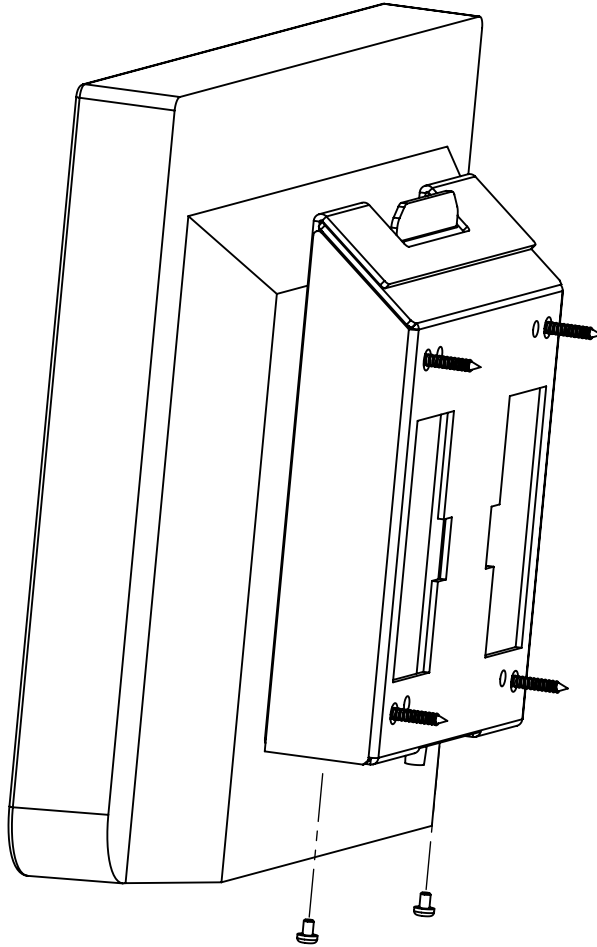
Place the front assembly onto the mounted wall plate **Part A**.



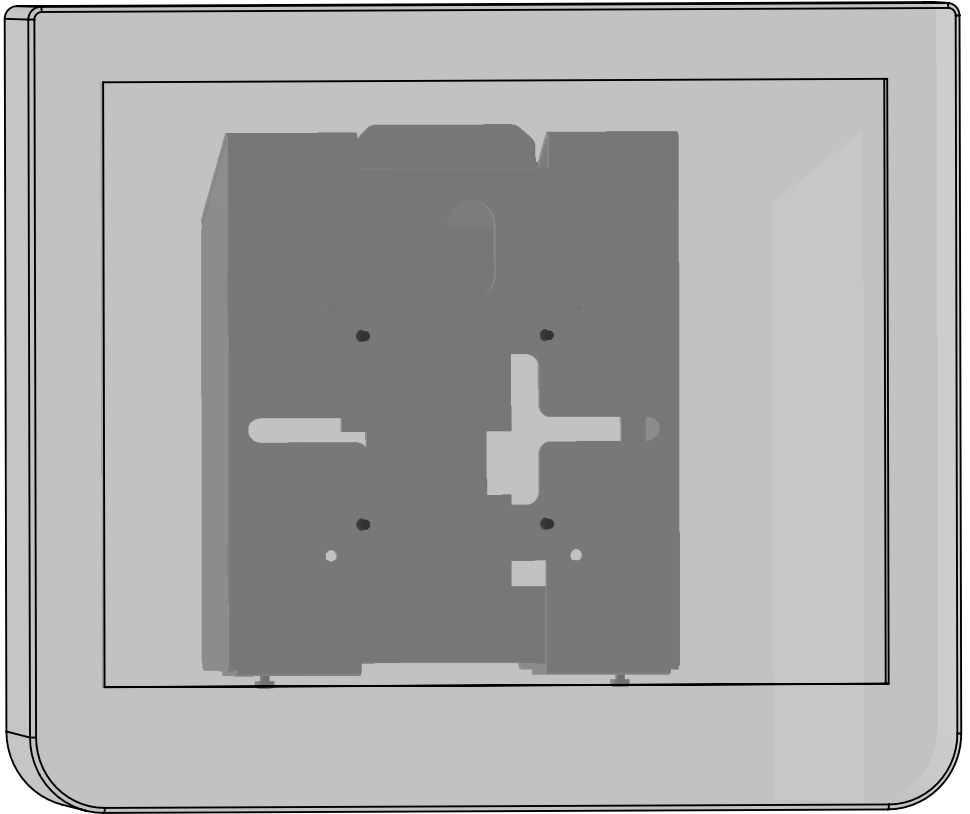
Steps

Step 5:

After positioning the two parts together, tighten the lower screws to secure the assembly



This page intentionally left blank



Need help? Contact us



**ergonomic[®]
solutions**
creators of SpacePole



spacepole[®]
an ergonomic
solutions company

ergonomic.solutions/about/contact-us

spacepole.com/about/contact-us