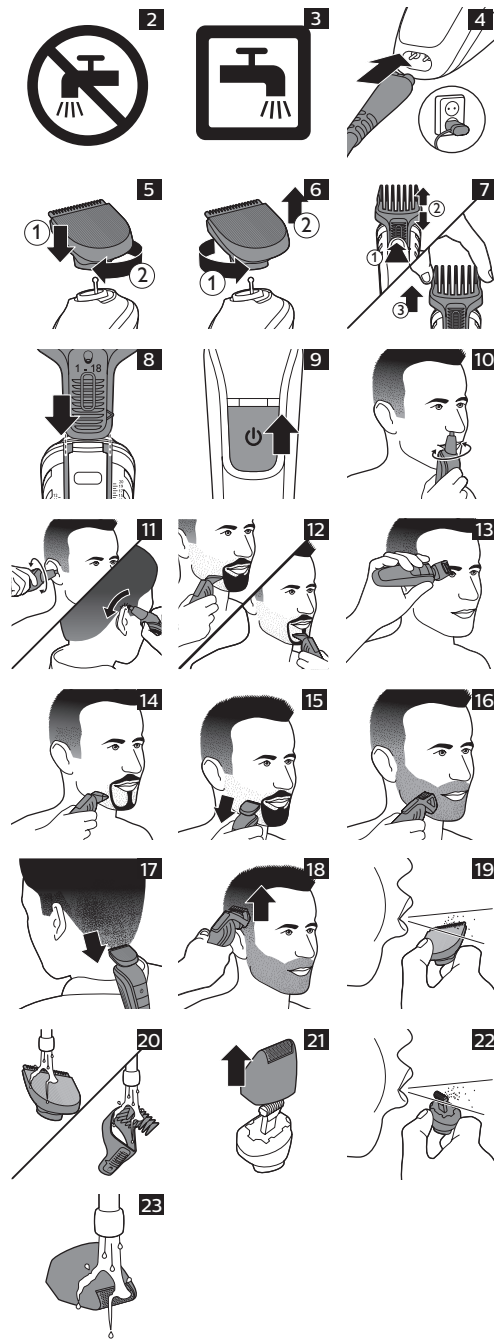
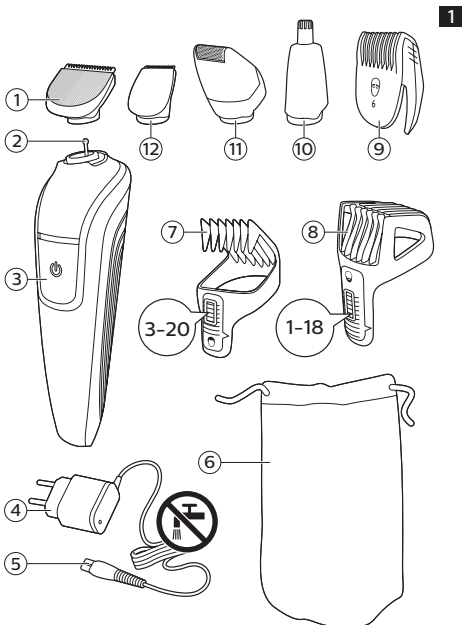




PHILIPS



ENGLISH

Introduction

Congratulations on your purchase and welcome to Philips! To fully benefit from the support that Philips offers, register your product at www.philips.com/welcome.

Important safety information

Read this important information carefully before you use the appliance and its accessories and save it for future reference. The accessories supplied may vary for different products.

Danger

- Keep the adapter dry (Fig. 2).

Warning

- The adapter contains a transformer. Do not cut off the adapter to replace it with another plug, as this causes a hazardous situation.
- This appliance is not intended for use by persons (including children) with reduced physical, sensory or mental capabilities, or lack of experience and knowledge, unless they have been given supervision or instruction concerning use of the appliance by a person responsible for their safety.
- Children should be supervised to ensure that they do not play with the appliance.
- Always unplug the appliance before you clean it under the tap.
- Always check the appliance before you use it. Do not use the appliance if it is damaged, as this may cause injury. Always replace a damaged part with one of the original type.
- Do not open the appliance to replace the rechargeable battery.

Caution

- Never immerse the appliance in water. Do not use the appliance in the bath or shower.
- Never use water hotter than 80°C to rinse the appliance.
- Only use this appliance for its intended purpose as shown in the user manual.
- For hygienic reasons, the appliance should only be used by one person.
- Do not use the adapter in or near wall sockets that contain or have contained an electric air freshener to prevent irreparable damage to the adapter.
- Never use compressed air, scouring pads, abrasive cleaning agents or aggressive liquids such as petrol or acetone to clean the appliance.

Electromagnetic fields (EMF)

- This Philips appliance complies with all applicable standards and regulations regarding exposure to electromagnetic fields.

General

- This appliance can be safely cleaned under the tap (Fig. 3).
- The appliance is suitable for mains voltages ranging from 100 to 240 volts.
- The adapter transforms 100-240 volts to a safe low voltage of less than 24 volts.

General description (Fig.1)

- 1 Full size trimmer (32mm)
- 2 Attachment connector
- 3 On/off button
- 4 Adapter
- 5 Small plug
- 6 Pouch
- 7 Hair comb (32mm)
- 8 Beard and stubble comb (32mm)
- 9 Detail comb
- 10 Nosetrimmer rotary
- 11 Detail foil shaver
- 12 Detail trimmer (21mm)

Charging

It takes approximately 10 hours to fully charge the appliance.

When the appliance is fully charged, it has an operating time of up to 60 minutes.

- 1 Switch off the appliance.
- 2 Insert the small plug into the appliance and put the adapter in the wall socket (Fig. 4).

Using the appliance

Warning: Always check the appliance before you use it. Do not use the appliance if it is damaged, as this may cause injury. Always replace a damaged part with one of the original type.

Note: The appliance can only be used without cord.

Detaching and attaching cutting elements

- 1 To detach a cutting element, turn it anti-clockwise and pull it upwards off the handle (Fig. 5).
- 2 To attach a cutting element, place it on the handle and turn it clockwise (Fig. 6).

Detaching and attaching combs

- 1 To detach any type of comb from the cutting element, press the length setting selector, grab the sides and pull it upwards off the cutting element (Fig. 7).
- 2 To attach any type of comb onto a cutting element, slide it into the guiding grooves on both sides of the handle (Fig. 8).

Switching the appliance on and off

- 1 To switch on the appliance, slide the on/off button up (Fig. 9).
- 2 To switch off the appliance, slide the on/off button down.



Precision attachments for use on face

Nose trimming

You can use the nose trimmer attachment to trim your nose hair and ear hair.

- Make sure your nostrils are clean. Make sure your outer ear channels are clean and free from wax.
- Do not insert the tip more than 0.5cm and make controlled movements.

Nose trimmer rotary

Trimming nose hair:

- Gently move the tip in and out of your nose while turning it round to remove unwanted hairs (Fig. 10).

Trimming ear hair:

- Slowly move the tip round the ear to remove hairs that stick out beyond the rim of the ear.
- Gently move the tip in and out of the outer ear channel to remove unwanted hairs (Fig. 11).

Detail trimmer (21mm)

You can use the detail trimmer without comb to create fine lines and contours around your facial style, close to the skin (Fig. 12) (to a length of 0.5mm).

Eyebrow and detail comb

You can use the 21mm detail trimmer with the detail comb attached for tidying up your eyebrows or trimming your sideburns (Fig. 13).

Detail foil shaver

You can use the detail foil shaver to shave unwanted hairs on your cheeks and chin with precision. Gently press the detail foil shaver onto the skin and shave along contoured edges to remove any hairs (Fig. 14).

Attachments for use on beard

- We advise you to start at the highest length setting to familiarize yourself with the appliance.
- Make controlled movements against the hair growth and move it over the part that needs trimming.

Full-size trimmer 32mm

You can use the full-size metal trimmer without comb to get clean lines around your beard, neck and sideburns close to the skin (Fig. 15) (to a length of 0.5mm).

Beard and stubble comb

You can use the beard and stubble comb attached to the full size trimmer to evenly trim your beard, stubble and moustache. You can choose any setting between 1 and 18mm in steps of 1mm (Fig. 16).

Attachments for use on head

Hair clipping with comb

- Comb the hair in the growth direction.
- Slowly move the trimmer against the hair growth direction. Press lightly.
- Since hair grows in different directions, you need to move the appliance in different directions as well (upward, downward or across).
- Always make sure that the flat part of the comb is in full contact with the scalp to obtain an even result.
- When you trim for the first time, start at the highest length setting (20mm) to familiarise yourself with the appliance.

Hair clipping without comb:

- Be careful when you trim without comb because the trimmer removes every hair it touches.
- Before you start to contour the hairline around the ears, with any comb attachment, comb the hair ends over the ears.
- Tilt the appliance in such a way that only the edge of the trimmer touches the hair.
- Only cut the hair ends. The hairline should be close to the ear.
- To contour the neckline and sideburns, turn the appliance and make downward strokes.
- Move the appliance slowly and smoothly. Follow the natural hairline.

Full-size metal trimmer 32mm

You can use the full-size metal trimmer without comb to clip hair very close to the skin (to a length of 0.5mm) or to create contours around your ears or neck (Fig. 17).

Hair comb

You can use the hair comb attached to the full size trimmer for an even haircut. You can choose any setting between 3 and 20mm in steps of 1mm (Fig. 18).

Cleaning and storage

Never use scouring pads, abrasive cleaning agents or aggressive liquids such as petrol or acetone to clean the appliance.

Always switch off the appliance and disconnect it from the mains before cleaning.

Never dry the trimmer teeth with a towel or tissue, as this may damage the trimmer teeth.

- 1 Remove any comb or attachment from the appliance.
- 2 Blow and/or shake out any hair that has accumulated in the attachments and/or combs (Fig. 19).
- 3 Clean the attachments, the combs and the appliance under a lukewarm tap after every use (Fig. 20).
- 4 Carefully shake off excess water and let all parts dry.
- 5 Store the appliance and its attachments in the storage pouch to prevent damage.

Cleaning shaving foils

The shaving foil is very delicate. Handle it carefully. Replace the shaving foil if it is damaged.

Detail foil shaver

- 1 Pull the top part of the detail foil shaver off the bottom part. (Fig. 21)
- 2 Blow and/or shake out any hair that has accumulated inside the detail foil shaver. (Fig. 22)
- 3 Clean the top part of the detail foil shaver under a lukewarm tap (Fig. 23).
- 4 Shake off excess water and leave to dry completely.

Ordering accessories

To purchase accessories for this appliance, please visit our online shop at www.shop.philips.com/ service. If the online shop is not available in your country, go to your Philips dealer or a Philips service centre. If you have any difficulties obtaining accessories for your appliance, please contact the Philips Consumer Care Centre in your country. You find its contact details in the worldwide guarantee leaflet.

Recycling

- Do not throw away the product with the normal household waste at the end of its life, but hand it in at an official collection point for recycling. By doing this, you help to preserve the environment.

Guarantee and support

If you need information or support, please visit www.philips.com/support or read the separate worldwide guarantee leaflet.

Guarantee restrictions

Cutting units are not covered by the terms of the international guarantee because they are subject to wear.

Troubleshooting

This chapter summarises the most common problems you could encounter with the appliance. If you are unable to solve the problem with the information below, visit www.philips.com/support for a list of frequently asked questions or contact the Consumer Care Centre in your country.

Problem	Possible cause	Solution
The combs do not stay attached to the handle	You did not attach the comb correctly.	Slide the comb into the guiding grooves on both sides of the appliance ('click').
	The guiding grooves are dirty.	Clean the appliance and the guiding grooves thoroughly.

Problem	Possible cause	Solution
	The comb is broken.	Go to your Philips dealer or contact a Philips service centre to purchase a new comb.
The appliance does not work anymore.	The rechargeable battery is empty.	Charge the appliance (see chapter 'Charging'). Make sure you switch off the appliance before you charge it. During charging, the charging light on the adapter flashes. If the charging light does not flash, check whether there is a power failure or if the wall socket is live. If there is no power failure and the wall socket is live but the charging light still does not flash, take the appliance to your dealer or a Philips service centre.
The appliance does not charge when it is connected to the mains.	The appliance has to be switched off when you charge it.	Switch off the appliance.
	This appliance can only be used without a cord.	After charging, remove the adapter from the wall socket and pull the small plug out of the appliance.
The appliance does not trim as well as it used to.	The cutting element of the attachment you are using is dirty.	Remove the attachment from the appliance. Clean the attachment under a lukewarm tap.
		Make sure that the appliance is charged sufficiently.
The appliance becomes hot.	The cutting element of the attachment you are using is dirty.	Remove the attachment from the appliance. Clean the attachment under a lukewarm tap.

简介

感谢您的惠顾，欢迎光临飞利浦！
为了让您能充分享受飞利浦提供的支持，请在 www.philips.com/welcome 上注册您的产品。

重要安全信息

使用本产品及其附件之前，请仔细阅读本重要信息，并妥善保管以供日后参考。随附的附件可能因产品而异。

危险

- 保持适配器干燥 (图 2)。
- 警告符号注释：禁止用在打开的水龙头下进行清洗。

警告

- 适配器中包含一个变压器。请勿剪下适配器并更换为其他插头，否则将导致严重后果。
- 本产品适合由 8 岁或以上年龄的儿童以及肢体不健全、感觉或精神上有障碍或缺乏相关经验和知识的人士使用，但前提是有人对他们使用本产品进行监督或指导，以确保他们安全使用，并且让他们明白相关的危害。切勿让儿童玩弄本产品。不要让儿童在无人监督的情况下对本产品进行清洁和保养。
- 在自来水龙头下清洗本产品之前，务必拔掉其电源插头。
- 使用前，请务必检查产品。请勿使用损坏的产品，否则可能对人体造成伤害。请务必用原装型号更换损坏的部件。
- 请勿拆开设备来更换充电电池。

警告

- 切勿将产品浸入水中。请勿在洗澡或淋浴时使用本产品。

- 切勿使用温度高于 80° C 的热
- 水冲洗本产品。
- 只能将本产品用于用户手册中所示的原定用途。
- 出于卫生的目的，本产品只能供一个人使用。
- 请勿在包含或已经包含电动空气清新器的墙壁插座的上部或周围使用适配器，从而防止适配器受到不可修复的损坏。
- 切勿使用压缩气体、钢丝绒、研磨性清洁剂或腐蚀性液体（例如汽油或丙酮）来清洁产品。

电磁场 (EMF)

- 本 Philips 产品符合所有有关暴露于电磁场的适用标准和法规。

概述

- 该产品可放心在水龙头下 (图 3) 清洗。
- 符号注释：适合用在打开的水龙头下进行清洗。
- 本产品适合在 100 - 240 伏的电源电压下工作。
- 电源适配器可将 100-240 伏的电压转换为 24 伏以下的安全低电压。

基本说明 (图 1)

- 1 全尺寸修剪器 (32 毫米)
- 2 附件连接器
- 3 开/关按钮
- 4 适配器
- 5 小插头
- 6 存储袋
- 7 发梳 (32 毫米)
- 8 胡须和短茬发梳 (32 毫米)
- 9 细节梳齿
- 10 旋转式鼻毛修剪器
- 11 精细刀网剃须刀
- 12 细节修剪器 (21 毫米)

充电

本产品充满电约需要 10 小时。
当产品充满电时，可以使用长达 60 分钟。

- 1 关闭产品。
- 2 将小插头插入产品，然后将适配器插入墙壁插座 (图 4)。

使用本产品

警告：使用前，请务必检查产品。请勿使用损坏的产品，否则可能对人体造成伤害。请务必用原装型号更换损坏的部件。

注意：本产品只能在不接电源的情况下使用。

拆卸和连接修剪部件

- 1 要拆卸修剪部件，请将其逆时针旋转并向上将其从手柄 (图 5) 上拔下。
- 2 要连接修剪部件，请将其放在手柄上并顺时针 (图 6) 放置。

拆卸和安装梳齿

- 1 要从修剪部件上拆卸任何类型的梳齿，请按下长度调校选择器，抓住梳齿两侧并向上将其从修剪部件 (图 7) 上拔下。
- 2 要将任何类型的梳齿安装到修剪部件上，请将其滑入手柄 (图 8) 两侧上的导槽中。

打开或关闭产品

- 1 要打开本产品，请向上 (图 9) 滑动开/关按钮。
- 2 要关闭本产品，请向下滑动开/关按钮。

用于面部的精确脱毛附件

鼻毛修剪

- 您可以使用鼻毛修剪器附件修剪鼻毛和耳毛。
- 确保鼻腔是清洁的。确保耳朵外耳道清洁，没有耳垢。
- 尖端插入深度不得超过 0.5 厘米，且必须控制好产品的移动。

旋转式鼻毛修剪器

修剪鼻毛：

- 将尖端轻轻插入和移出鼻孔，同时转动尖端，以便去除不想要的毛发 (图 10)。

修剪耳毛：

- 在耳部周围缓缓移动尖端，以剃掉突出耳缘的毛发。
- 将尖端轻轻插入和移出外耳道，以便去除不想要的毛发 (图 11)。

细节修剪器 (21 毫米)

您可以使用不带梳齿的细节修剪器在您的面部周围以非常贴近皮肤 (图 12) 的距离 (0.5 毫米长) 修剪出细线和轮廓。

眉毛及细节梳齿

您可以使用安装细节梳齿的 21 毫米细节修剪器来修整您的眉毛或修剪您的鬓角 (图 13)。

精细刀网剃须刀

您可以使用精细刀网剃须刀精确剃除脸颊和下巴上多余的毛发。在皮肤上轻按精细刀网剃须刀，沿着轮廓边缘剃除所有毛发 (图 14)。

用于剃须的附件

- 我们建议您从最高的长度设定开始修剪，以熟悉产品的使用方法。
- 正对头发生长方向控制好产品的移动，并在需要修剪的部分移动产品。

全尺寸 32 毫米修剪器

您可以使用不带梳齿的全尺寸金属修剪器在您的胡须、颈部和鬓角周围以非常贴近皮肤 (图 15) 的距离 (0.5 毫米长) 修剪出明晰的线条。

胡须和短茬发梳

您可以使用连接到全尺寸修剪器的胡须和短茬发梳来均匀修剪胡须、短茬和须髥。您可以选择 1 到 18 毫米之间的任何设置，以 1 毫米 (图 16) 为间隔进行调节。

用于头部的附件

使用梳齿修剪头发

- 按头发生长的方向梳理头发。
- 正对头发生长方向缓慢移动修剪器。轻轻按压。
- 由于头发会朝不同方向生长，您还必须沿着不同方向（向上、向下或交叉）移动本产品。
- 务必确保梳齿的扁平部分完全接触到头皮，以获得均匀的效果。
- 第一次修剪时，从最高的长度设定（20 毫米）开始修剪，以熟悉产品的使用方法。

不使用梳齿修剪头发：

- 由于修剪器会剔除接触到的每一根毛发，因此在不使用梳齿进行修剪时要特别小心。
- 在开始修整耳朵周围的发际线轮廓之前，请使用任何梳齿附件先沿耳朵梳理发梢。
- 倾斜本产品，仅使修剪器的一边接触到头发。
- 仅修剪发梢。发际线应该紧贴双耳轮廓。
- 要紧贴颈部周围和鬓角轮廓，请转动产品并向下修剪。
- 缓慢、流畅地移动产品。顺着自然生长的发际线。

全尺寸金属修剪器（32 毫米）

您可使用不带修剪梳的全尺寸金属修剪器以非常贴近头皮的距离（0.5 毫米长）修剪头发，或修整耳部或颈部（图 17）周围的轮廓。

发梳

您可使用连接到全尺寸修剪器上的发梳来均匀地修剪头发。您可以选择 3 到 20 毫米之间的任何设置，以 1 毫米（图 18）为间隔进行调节。

清洁和存放

切勿使用钢丝球、研磨性清洁剂或腐蚀性液体（例如汽油或丙酮）来清洁本产品。

在进行清洁之前，请务必关闭本产品并断开电源。

切勿用毛巾或纸巾擦干修剪器齿，否则可能会损坏修剪器齿。

- 1 从产品中取出梳齿或附件。
- 2 吹去或甩掉积聚在附件和/或发梳（图 19）上的头发。
- 3 每次使用（图 20）后，在微温的自来水下清洁附件、发梳和本产品。
- 4 小心地甩掉多余的水份并让所有部件晾干。
- 5 将产品及其附件存放在存储袋中，以免损坏。

清洁剃毛刀网

剃毛刀网是非常精密的部件。请小心握持。如果损坏，则应更换剃毛刀网。

精细刀网剃须刀

- 1 将精细刀网剃须刀的顶部部件抽离底部部件。（图 21）
- 2 吹掉和/或甩掉积聚在精细刀网剃须刀（图 22）内部的毛发。
- 3 在微温的自来水（图 23）下清洁精细刀网剃须刀的顶部部件。
- 4 甩掉多余的水份，待其完全晾干。

订购配件

要购买本产品的附件，请访问我们的网上商城：www.shop.philips.com/service。如果您所在的国家/地区没有网上商城，请联系您的飞利浦经销商或飞利浦服务中心。如果您为本产品购买附件有困难，请联系您所在国家/地区的飞利浦客户服务中心。您可以在全球保修卡中找到其详细联系信息。

回收

弃置本产品时，请不要将其与一般生活垃圾放在一起，应将其交给政府指定的回收中心。这样做将有利于环保。

保修和支持

如果您需要信息或支持，请访问 www.philips.com/support 或阅读单独的全球保修卡。

保修条款

修剪部件不在国际保修条款的涵盖范围之内，因为修剪部件属于易磨损物品。

故障种类和处理方法

本章归纳了使用本产品时最常见的一些问题。如果您无法根据以下信息解决问题，请访问 www.philips.com/support 查阅常见问题列表，或联系您所在国家/地区的客户服务中心。

问题	可能的原因	解决方法
梳齿不能固定在手柄上	您没有正确连接梳齿。	将梳齿滑入产品两侧的导槽中（可听到“咔哒”一声）。
	导槽不干净。	彻底清洁产品和导槽。
梳齿不能固定在手柄上	修剪梳已损坏。	请联系飞利浦经销商或飞利浦服务中心购买新的修剪梳。
产品无法工作。	充电电池的电量已耗尽。	将产品充电（见“充电”一章）。确保在充电前关闭产品电源。在充电期间，适配器上的充电指示灯将闪烁。如果充电指示灯不闪烁，请检查是否存在电源故障，或墙壁插座是否通电。如果不存在电源故障并且墙壁插座已通电，但充电指示灯仍然不闪烁，请将本产品送至经销商或飞利浦服务中心。
产品连接到电源时不能充电。	在为产品充电时，必须将其关闭。	关闭产品。
	本产品只能在不接电源的情况下使用。	充电之后，从电源插座上拔下适配器，并从产品上拔出小插头。
产品的修剪效果没有以前好。	您使用的附件的修剪部件变脏。	从产品中取出附件。在微温的自来水下清洁该附件。

问题	可能的原因	解决方法
产品的修剪效果没有以前好。		确保将本产品充满电。

产品会发热。	您使用的附件的修剪部件变脏。	从产品中取出附件。在微温的自来水下清洁该附件。
--------	----------------	-------------------------

PHILIPS

产品: 飞利浦多功能造型理容组合
 型号: QG3340
 额定电压: 220V ~
 额定频率: 50Hz
 额定输入功率: 2 W
 生产日期: 请见产品本体
 产地: 印度尼西亚



经销单位: 飞利浦(中国)投资有限公司
 上海市天目西路218号1602-1605
 全国顾客服务热线: 4008 800 008

本产品根据国标 GB4706.1-2005,
 GB4706.9-2008制造

保留备用
 发行日期: 07/12/2015