

Kensington®

Adjustable Kick Stand for SecureBack M Series™

Stand ajustable pour SecureBack M Series™

Verstellbarer Kickstand für die SecureBack M Series™

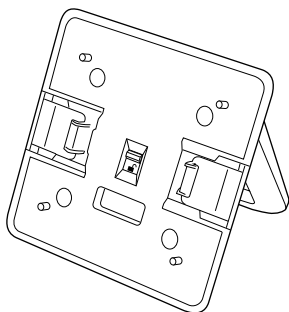
Cavalletto regolabile per SecureBack M Series™

Patilla ajustable para SecureBack M Series™

Suporte de ressalto ajustável para SecureBack M Series™

QUICK START GUIDE
GUIDE DE DEMARRAGE RAPIDE
KURZANLEITUNG
SNELSTARTGIDS
GUIDA RAPIDA
GUÍA RÁPIDA
GYORSKALAUZ
PŘÍRUČKA ZAČÍNÁME

SZYBKI START
КРАТКОЕ РУКОВОДСТВО
ПОЛЬЗОВАТЕЛЯ
MANUAL DE INÍCIO RÁPIDO
GUIDE DE DÉMARRAGE RAPIDE
GUÍA DE INICIO RÁPIDO
GUIA DE INÍCIO RÁPIDO



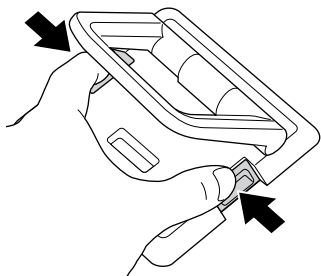
Register Now!
Enregistrer maintenant !
Jetzt registrieren!
Nu registreren
Registrar ahora
Registra adesso
Regisztráljon most!
Zaregistrujte se nyní!

Zarejestruj się!
Зарегистрироваться!
Registe-se agora!
Enregistrez votre produit dès
maintenant!
¡Regístrese ahora!
Registre agora!

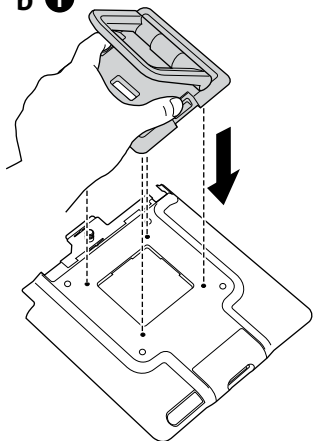
register.kensington.com

1

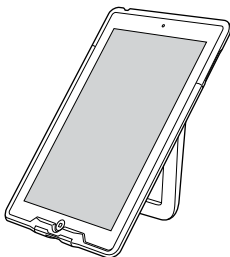
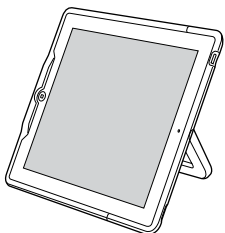
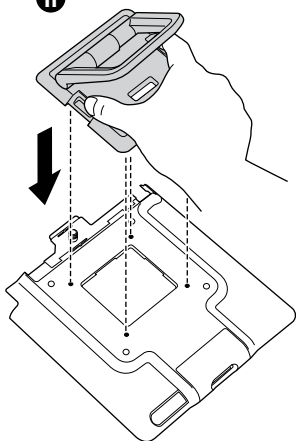
a



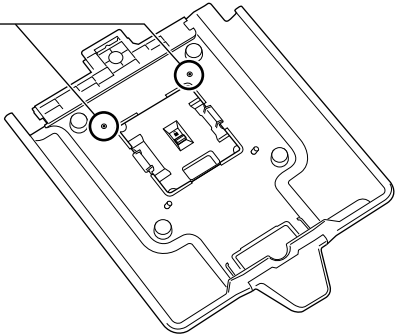
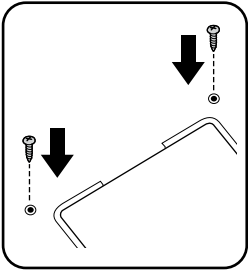
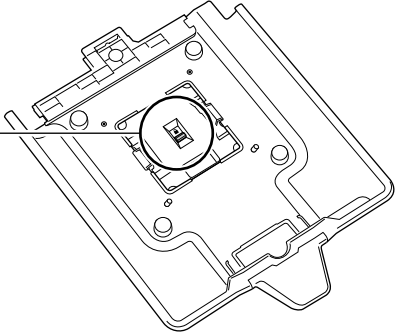
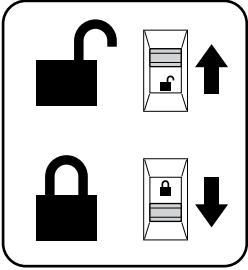
b i



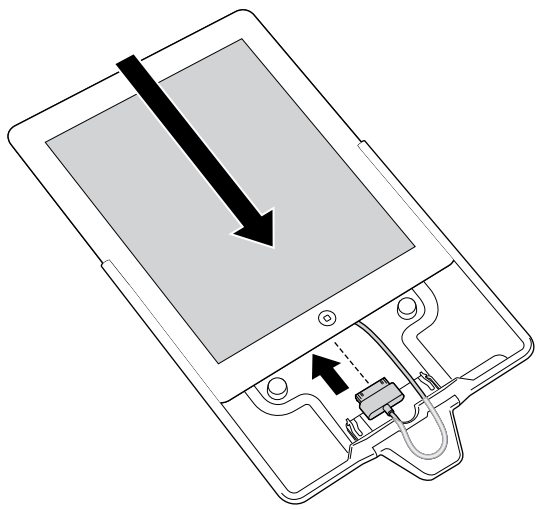
ii



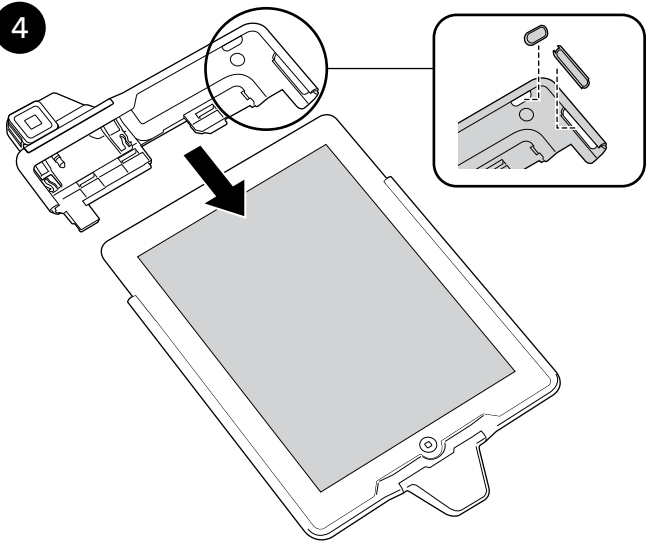
2



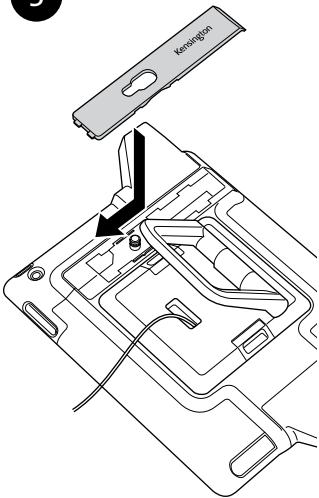
3



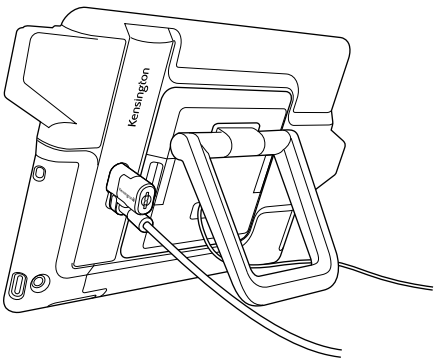
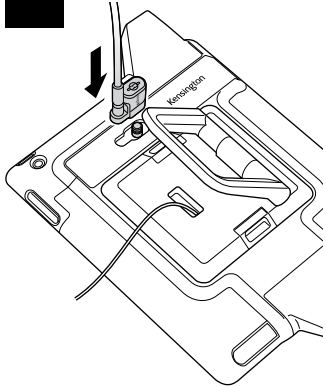
4



5



6



**Technical Support / Assistance technique / Technischer Support /
 Technische ondersteuning / Supporto tecnico / Asistencia técnica /
 Műszaki támogatás / Technická podpora / Pomoc techniczna /
 Техническая поддержка / Assistència tècnica / Soutien technique /
 Asistencia técnica / Suporte Técnico**

Australia	1300 881 931	Nederland	010 713 1882
België / Belgique	02 401 2395	New Zealand	0800 539 26273
Brasil	14 3235-4003	Norway	80017520
Canada	1 800 268 3447	Österreich	0800 677 873
Denmark	80 250966	Polska	22 570 18 00
Deutschland	0692 222 3654	Portugal	800855802
España	911 146 735	Russia	007 495 933 5163
Finland	0800 9 15697	Schweiz / Suisse	044 580 6667
France	01 7671 0404	Sweden	08 5033 6577
Hungary	06 20 9430 612	United Kingdom	0203 364 5390
Ireland	01 431 1395	United States	1 800 535 4242
Italia	02 3604 7030	International Toll	+31 53 484 9135
México	55 15 00 57 00		

Kensington and the ACCO name and design are registered trademarks of ACCO Brands. The Kensington Promise is a service mark of ACCO Brands. SecureBack M Series is a trade mark of ACCO Brands. All other registered and unregistered trademarks are the property of their respective owners.

© 2012 Kensington Computer Products Group, a division of ACCO Brands USA LLC. Any unauthorized copying, duplicating, or other reproduction of the contents hereof is prohibited without written consent from Kensington Computer Products Group. All rights reserved. 2/13



Kensington Computer Products Group
A Division of ACCO Brands
 333 Twin Dolphin Drive, 6th Floor
 Redwood Shores, CA 94065

ACCO Brands Europe

Oxford House
 Oxford Road
 Aylesbury
 Bucks, HP21 8SZ
 United Kingdom

ACCO Brands Canada

5 Precidio Court
 Brampton
 Ontario, L6S 6B7
 Canada

ACCO MEXICANA, S.A. DE C.V.

Avenida Circuito de la Industria
 Norte # 6
 Parque Industrial Lerma,
 Lerma, 52000 Estado de Mexico
 MEXICO

Acco Brands Chile S.A.,

Avda. San Josemaría
 Escrivá de Balaguer N°5773
 Vitacura, C.P. 7640870
 Santiago, Chile

Tilibra Produtos de Papelaria Ltda.

Rua Aimorés, 6-9
 Bauru, CEP 17013-900
 São Paulo, Brasil

ACCO Australia

Level 2, 8 Lord St
 Botany NSW 2019
 Australia

Designed in California, U.S.A. by Kensington

Made in China

Patents Pending

www.kensington.com

K67786

901-2937-00

KL