

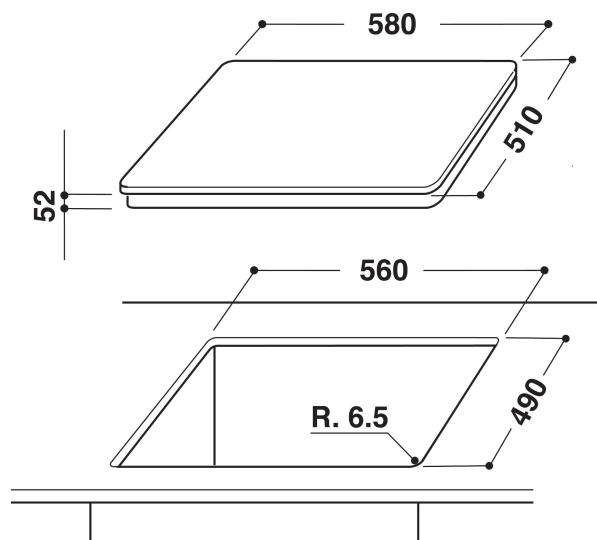
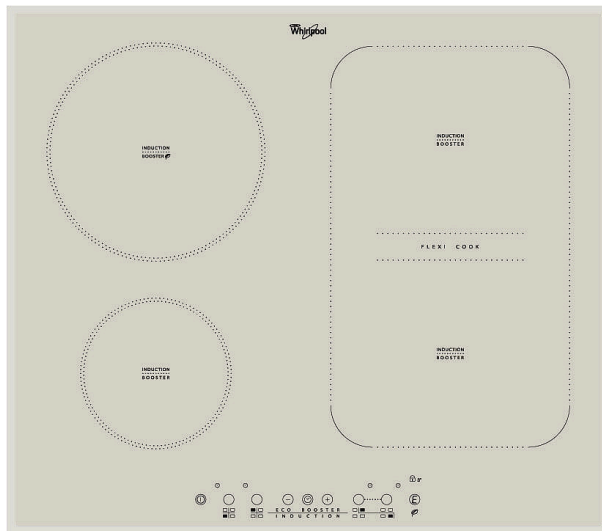
# ACM 808/BA/S

12NC: 859991007310

GTIN (EAN) code: 8003437825866

Whirlpool

SENSING THE DIFFERENCE



- 4 induction cooking zones
- FlexiCook
- Residual heat indicator
- Child lock
- On/Off Switch
- Ecobooster: high efficiency by energy saving
- 60 cm hob
- Timer
- Touch control (AKO, Artemis 2)
- Silver Dawn Glass Hob
- 4 Boosters
- 3 Plate on Indicator
- Total power declared: 7.2 kW
- Power on indicator
- Supply cord included
- Power manager: maximum power setting 2,5 kW/4 kW/6 kW/7,4 kW

## Whirlpool induction glass-ceramic hob - ACM 808/BA/S

4 induction rings. flexiCook zone technology, allowing you to combine multiple burners into a single cooking zone, for larger pots and pans. This Whirlpool induction glass-ceramic Hob features: An elegant technology, that heats the pan, not the hob, reducing energy dispersion and providing perfect cooking results. Electric power supply.

### <KW Power management

Outstanding energy efficiency. With the Power Management function, you set the hob's power level, to avoid the risk of overloading the power supply in your home.



### Booster

Enjoy super fast boiling times with the Booster cooking zone.



### Flexible Cooking

Automatic power settings. Select the cooking function on your touch display and your hob will automatically adjust the power level accordingly.



### Eco booster

Smart savings. The Eco Booster function saves you up to 10% energy (compared to standard boosters). It analyses the power, time and energy required to boil water for a maximum of 9 minutes, then switches to a lower power automatically, to keep water at boiling level.



### FlexiCook

Flexibility and performance. FlexiCook provides flexible cooking space for pots and pans of any size.



### Induction technology

Faster, energy-efficient cooking. Induction technology heats the pan, not the hob, reducing energy dispersion by 10%, and providing perfect cooking results.



### Front Controls

Complete control over your cooking. Easily accessible and genuinely intuitive, the controls are conveniently positioned on the front panel of your hob, providing a frictionless cooking experience.

# ACM 808/BA/S

12NC: 859991007310

GTIN (EAN) code: 8003437825866

**Whirlpool**

SENSING THE DIFFERENCE

## MAIN FEATURES

Product group	Hob
Construction type	Built-in
Type of control	Electronic
Type of control settings	-
Number of gas burners	0
Number of electric cooking zones	4
Number of electric plates	0
Number of radiant plates	0
Number of halogen plates	0
Number of induction plates	4
Number of electric warming zones	0
Location of control panel	Front
Basic surface material	Glass
Main colour of product	Silver Dawn
Electrical connection rating (W)	7200
Gas connection rating (W)	0
Current (A)	31,3
Voltage (V)	230
Frequency (Hz)	50/60
Length of Electrical Supply Cord (cm)	120
Plug type	No
Gas connection	N/A
Width of the product	580
Height of the product	56
Depth of the product	510
Minimum niche height	30
Minimum niche width	560
Niche depth	490
Net weight (kg)	12.5
Automatic programmes	No

## TECHNICAL FEATURES

Power on indicator	Yes
Number of indicators	3
Type of regulation	Stepless energy regulated
Type of lid	Without
Residual heat indicator	Separate
Main on/off switch	Yes
Safety device	-
Timer	Yes

## PERFORMANCES

Energy input	Electric
--------------	----------