

# Always there to help you

Register your product and get support at  
[www.philips.com/support](http://www.philips.com/support)



HTB3510  
HTB3540  
HTB3570

# Quick start guide

**PHILIPS**

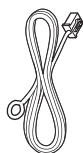
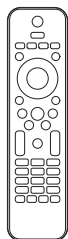


**EN** Before using your product, read all accompanying safety information

**ZH-CN** 使用产品前，请阅读所有随附的安全信息



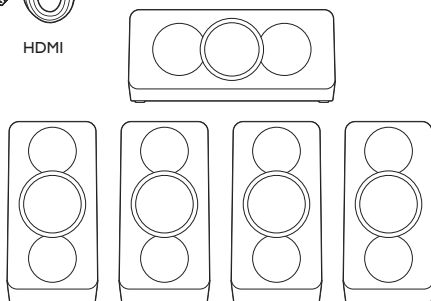
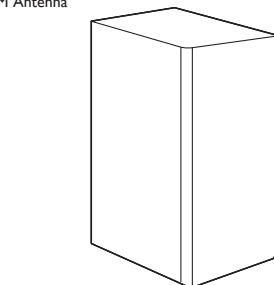
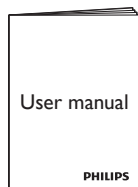
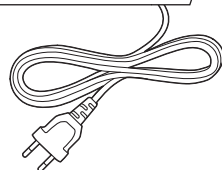
## HTB3510



FM Antenna



HDMI



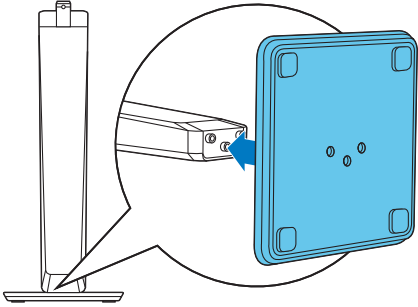


# 1

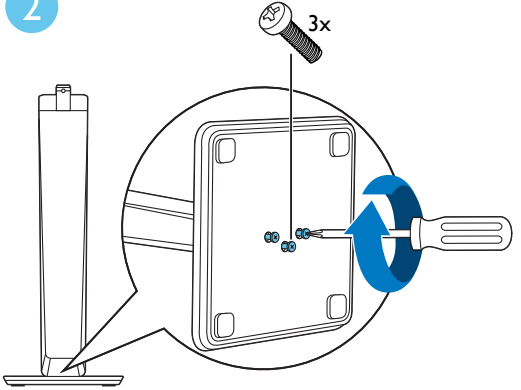
**EN** Stand mount the speakers  
Applied to HTB3540 and HTB3570 only

**ZH-CN** 桌架和扬声器  
只适用于 HTB3540 和 HTB3570 的型号。

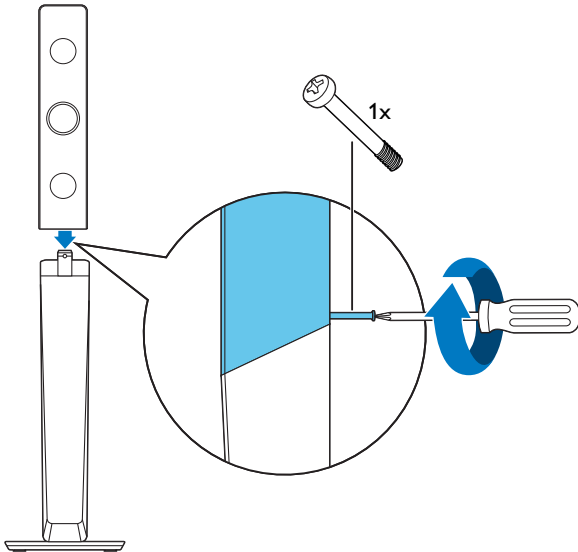
1



2



3

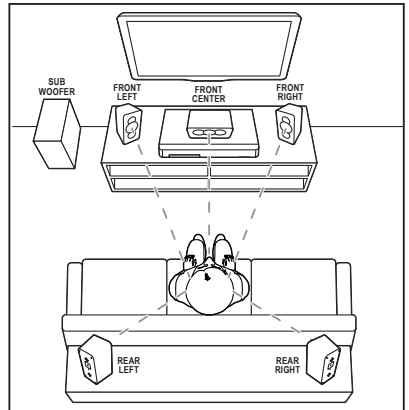
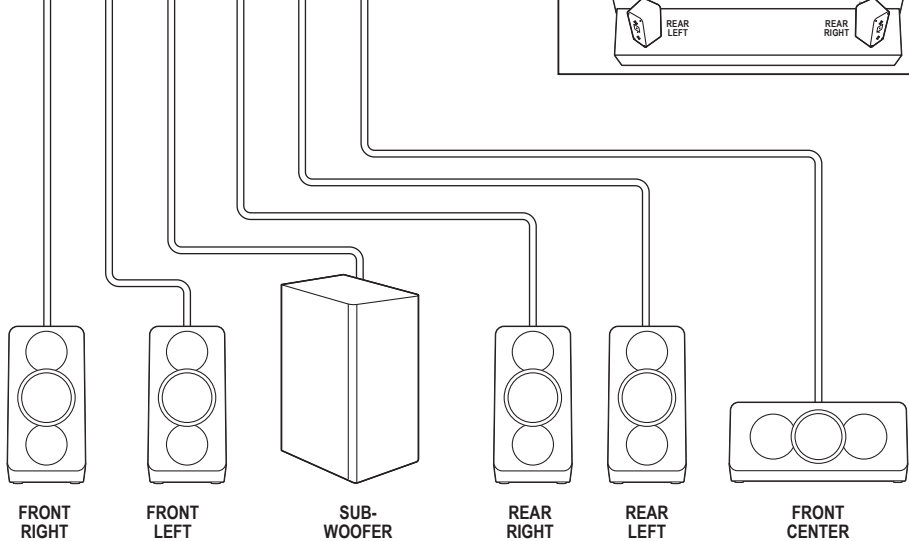
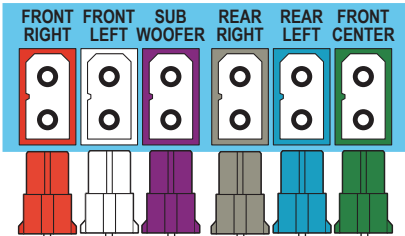
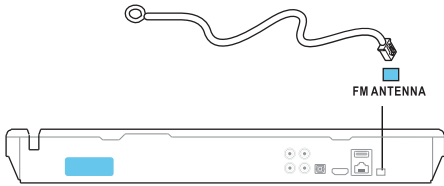


# 2

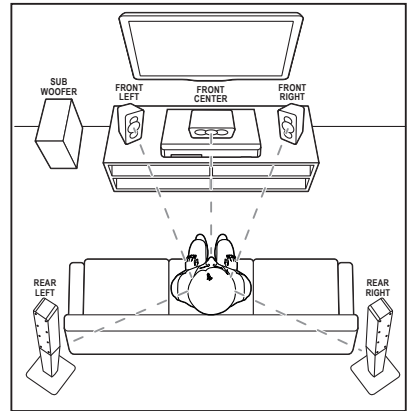
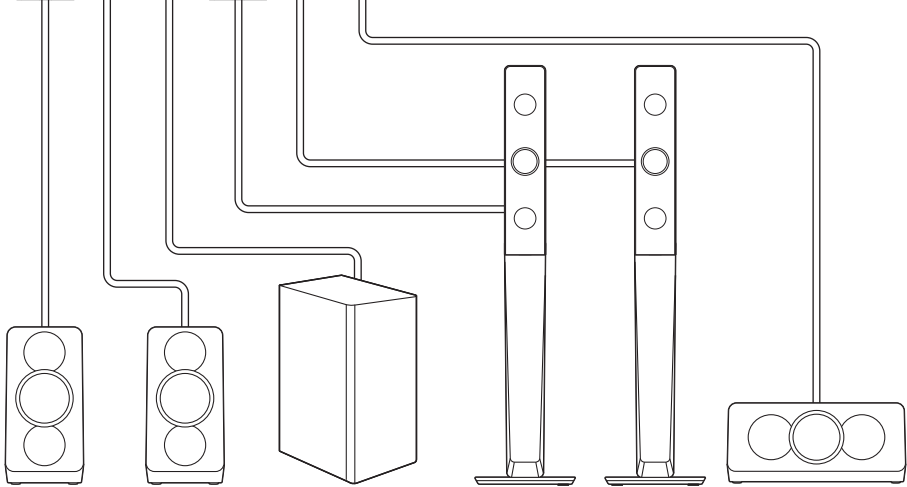
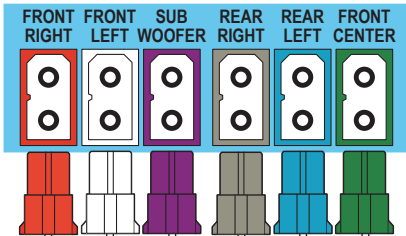
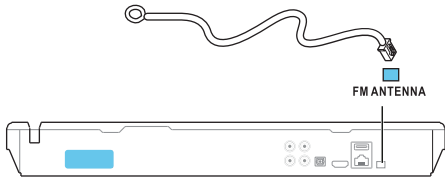
**EN** Connect and position the home theater

**ZH-CN** 连接和放置家庭影院

## HTB3510



# HTB3540



FRONT RIGHT

FRONT LEFT

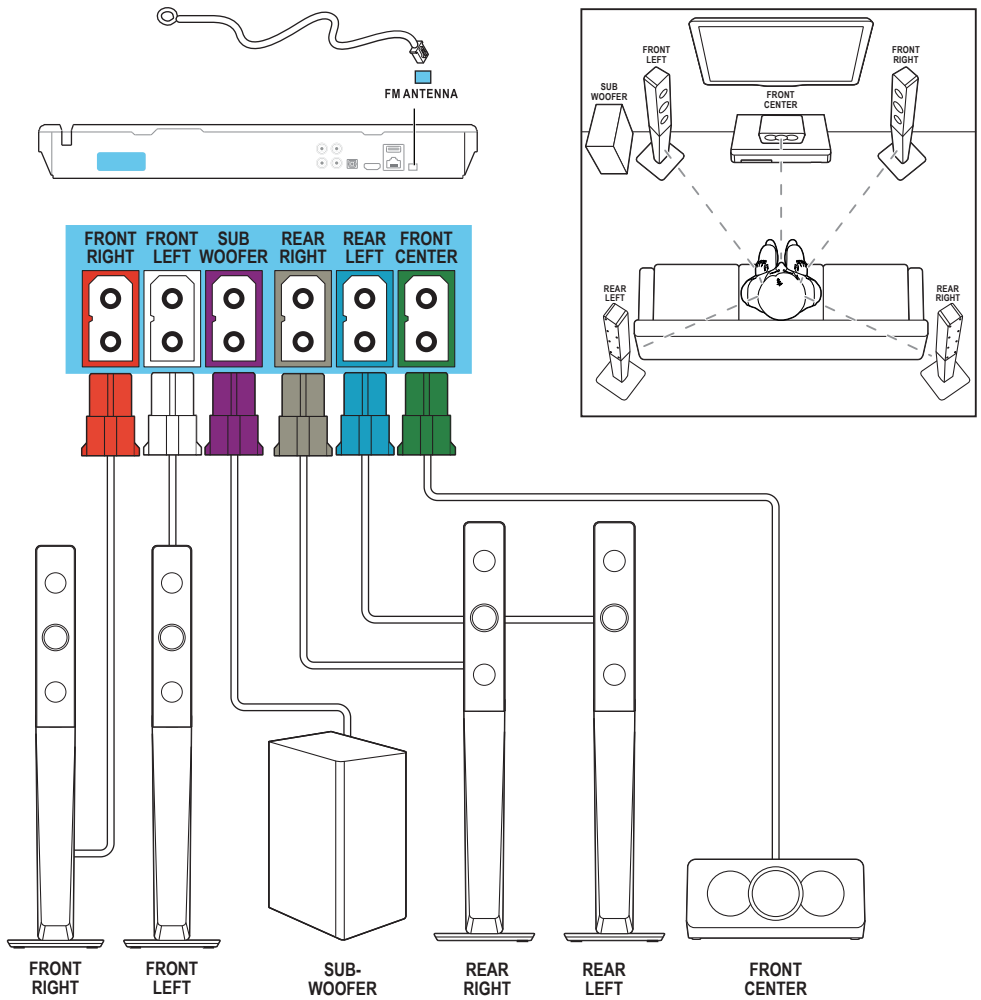
SUB-WOOFER

REAR RIGHT

REAR LEFT

FRONT CENTER

# HTB3570

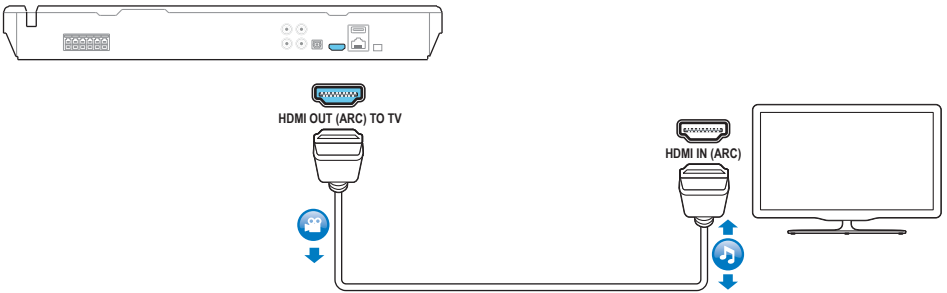


# 3

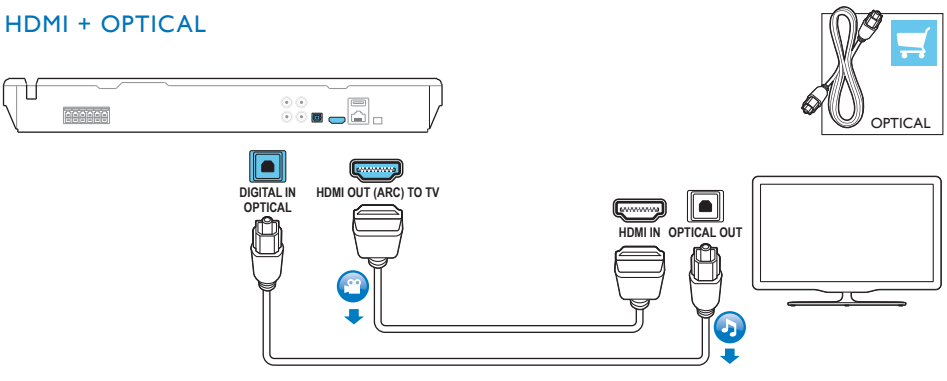
**EN** Connect to TV in one of these ways

**ZH-CN** 通过这些方式连接至电视

## HDMI ARC

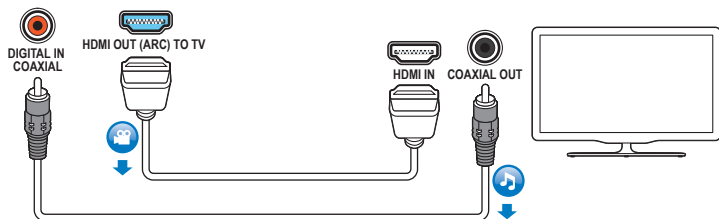


## HDMI + OPTICAL

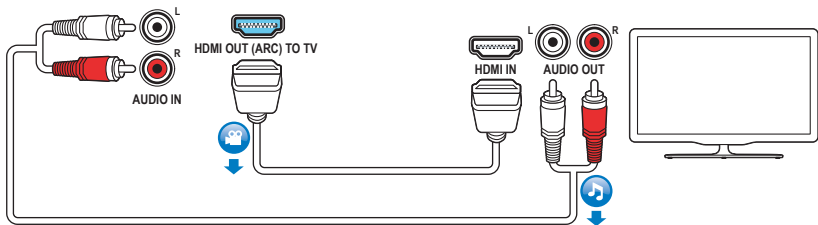




## HDMI + COAXIAL



## HDMI + AUDIO L/R

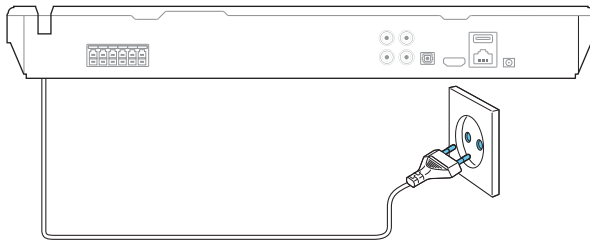


# 4

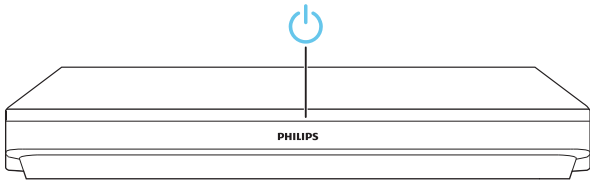
**EN** Switch on the home theater

**ZH-CN** 打开家庭影院

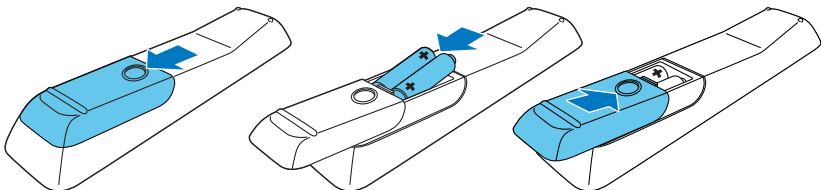
1



2



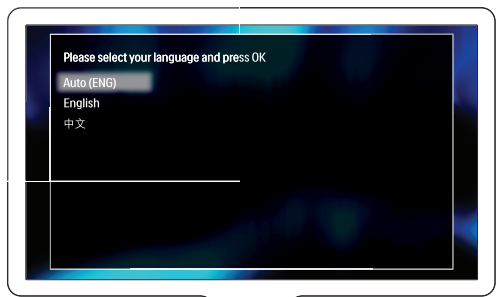
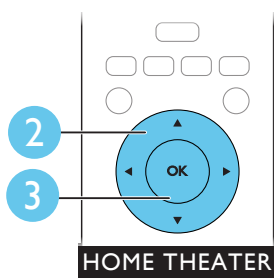
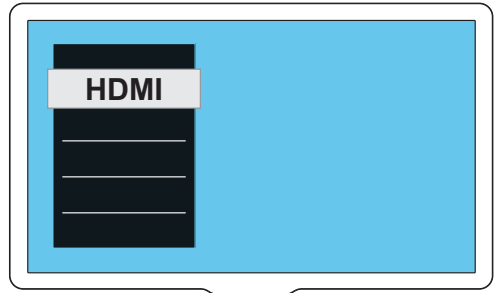
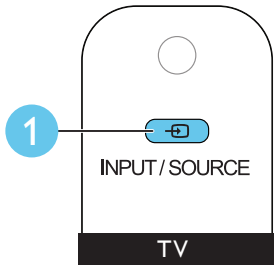
3



# 5

**EN** Complete the first time setup

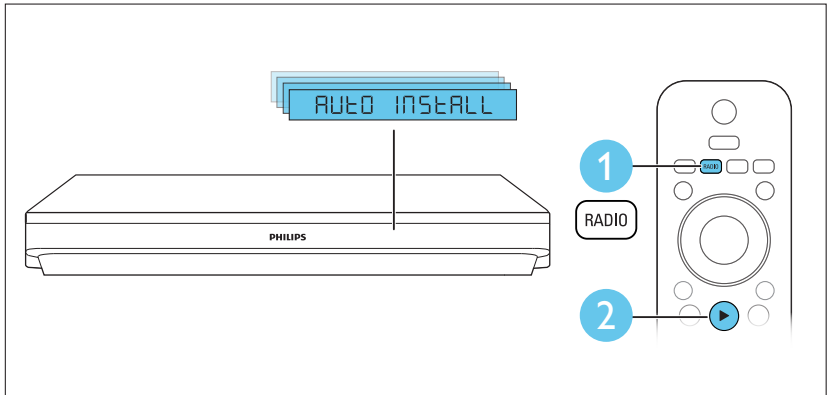
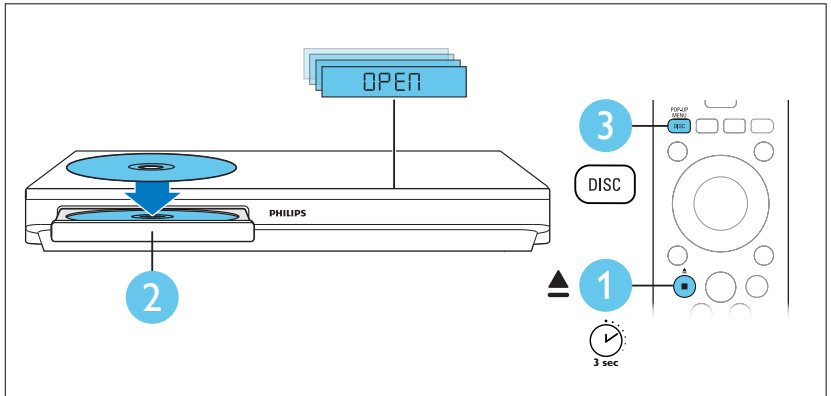
**ZH-CN** 完成首次设置

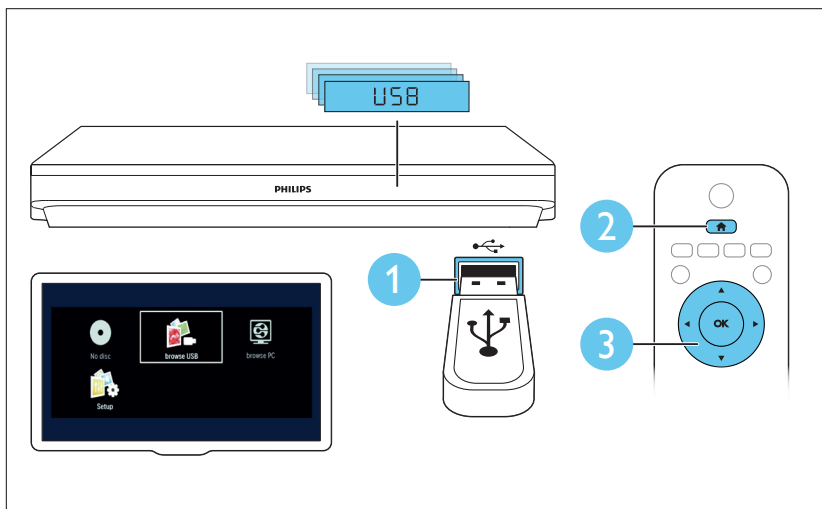
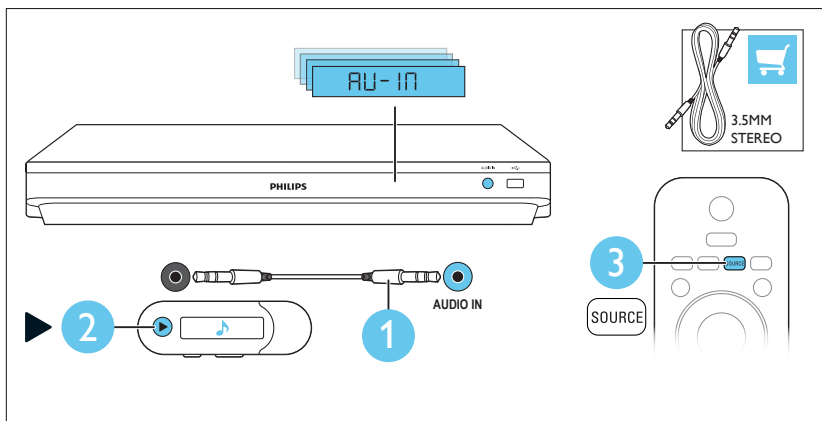


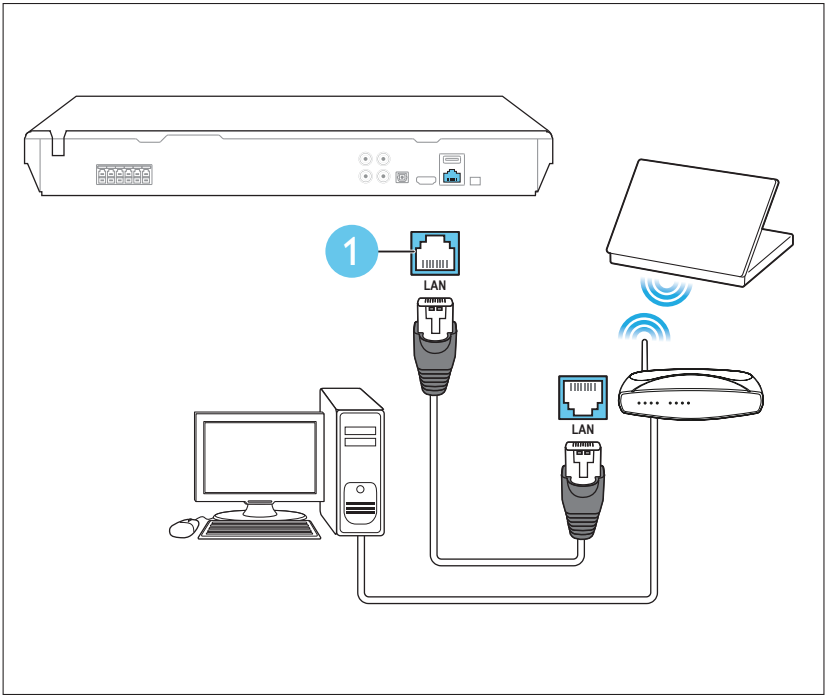
# 6

EN Use your home theater

ZH-CN 使用家庭影院











Specifications are subject to change without notice  
© 2014 Koninklijke Philips N.V. All rights reserved.  
Trademarks are the property of Koninklijke Philips N.V. or their respective owners.

HTB3510/3540/3570\_93\_QSG\_V2.0

