



Protected LCD for public environment

This high quality 21,5" LCD monitor has a toughened safety glass fitted behind the bezel. It offers 8H hardness rating, capable of resisting above normal pressure and impacts to the display. The high end LCD panel with LED backlights not only reduces the power consumption it also offers a bright image with high contrast. The ProLite P2252HS meets the increasing demands for Protected Economical LCD's within Education, Retail and Industrial applications and can also be used for CCTV through HDMI input.



Protective glass

The toughened safety glass fitted behind the bezel at 8H hardness rating is capable of resisting above normal impacts to the display making this LCD the ideal choice for Education, Retail and Industrial applications.



Key lock

You can easily lock and unlock the controls preventing unauthorised changes to settings you made.

01 DISPLAY CHARACTERISTICS

Diagonal	21.5", 54.7cm
Panel	TN LED, matte finish
Native resolution	1920 x 1080 (2.1 megapixel Full HD)
Aspect ratio	16:9
Brightness	225 cd/m ² typical
Static contrast	1000:1 typical
Advanced contrast	12M:1
Glass thickness	2mm
Glass transmission rate	90% up typical
Glass hardness	8H
Response time	5ms
Viewing zone	horizontal/vertical: 170°/160°, right/left: 85°/85°, up/down: 80°/80°
Colour support	16.7mIn 8bit (6bit + Hi-FRC) (sRGB: 99%; NTSC: 72%)
Horizontal Sync	24 - 80KHz
Vertical Sync	55 - 75Hz
Viewable area W x H	476.64 x 268.11mm, 18.8 x 10.6"
Pixel pitch	0.248mm
Colour	matte, black

02 INTERFACES / CONNECTORS / CONTROLS

Signal input	VGA x1 DVI x1 HDMI x1
HDCP	yes
Headphone connector	yes

03 FEATURES

OSD languages	EN, DE, FR, CN, RU, JP, NL, PL
Control buttons	Power, Select/ Input Select, Scroll up/ Audio, Scroll down/ i-style Colour, Menu
User controls	auto adjust, luminance (contrast, brightness, ECO, ACR), input select, audio adjust (volume, mute, HDMI audio), colour adjust, information, image steep (clock, H. position, V. position, phase, sharpness, video mode adjust), setup menu (language, OSD position, OSD time out, OSD background, opening logo, LED), recall
Speakers	2 x 1W

04 MECHANICAL

Tilt angle	20° up; 0° down
VESA mounting	100 x 100mm

05 ACCESSORIES INCLUDED

Cables	power, VGA, DVI, Audio
Other	quick start guide, safety guide

06 POWER MANAGEMENT

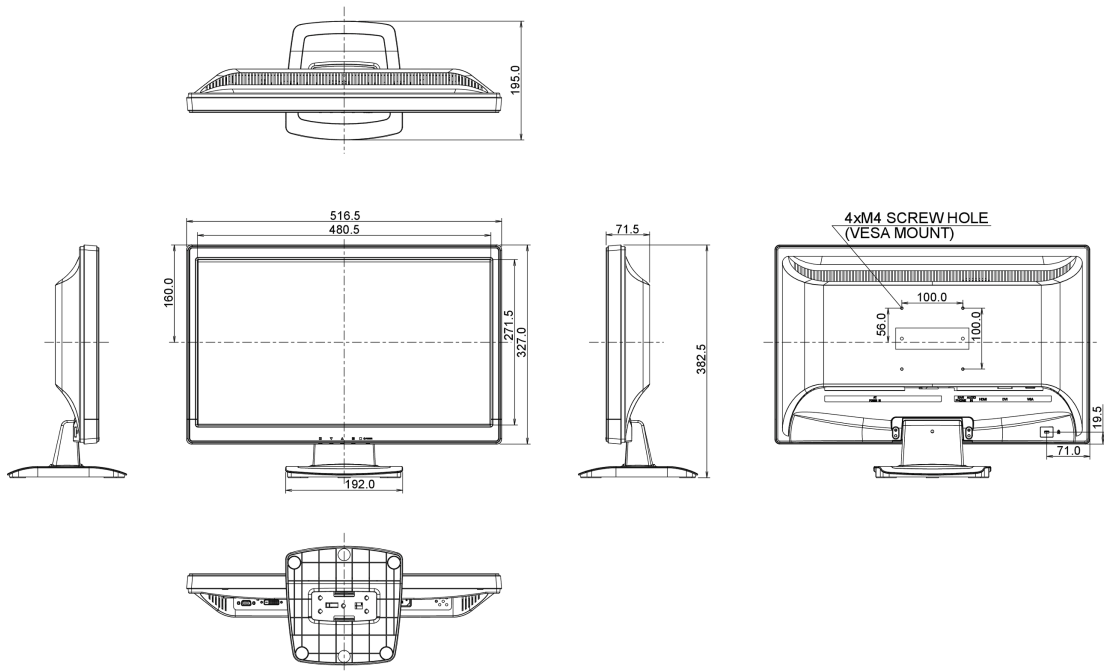
Power supply unit	internal
Power supply	AC 100 - 240V, 50/60Hz
Power usage	18W typical, 0,5W stand by, 0,5W off mode

07 SUSTAINABILITY

Regulations	CE, TÜV-Bauart, VCCI-B, PSE, Energy Star , CU
Energy efficiency class	A
EPEAT Silver	EPEAT is a comprehensive environmental rating that helps identify greener computers and other electronic equipment. The Silver certification means the monitor meets all required criteria plus at least 50% of the optional requirements. EPEAT Silver is valid in countries where iiyama registers the product. Please visit www.epeat.net for the registration status in your country.
Other	REACH SVHC above 0.1%: Lead

08 DIMENSIONS / WEIGHT

Product dimensions W x H x D	516.5 x 382,5 x 195mm
Weight (without box)	4.5kg
EAN code	4948570112647



09 EU ENERGY EFFICIENCY LABEL

Manufacturer	iiyama
Model	ProLite P2252HS-B1
Energy efficiency class	A
Visible screen diagonal	55cm; 21.5"; (22" segment)
ON mode power consumption	20.1W

Annual energy consumption	29kWh/annum*
Power in Standby	0,5W stand by
Resolution	1920 x 1080

*This is information under Regulation (EU) No 1062/2010.*Based on the power consumption of the television operating 4 hours per day for 365 days. The actual energy consumption will depend on how the television is used.*

All trademarks and registered trademarks acknowledged. E & O E. Specification subject to change without notice. All LCD's comply with ISO-9241-307:2008 in connection with pixel defects.

© IIYAMA CORPORATION. ALL RIGHTS RESERVED