



SHADOW ROCK 2

EXCEPTIONAL COOLING, SIGNIFICANT QUIET

IDEAL APPLICATIONS

Advanced gaming
High resolution multimedia systems
Demanding graphics applications

HIGHLIGHTS

Exceptionally high cooling performance
Silence-optimized be quiet! fan
Freely-selectable fan mount point

Shadow Rock 2 is a top choice among premium CPU Coolers, with exceptionally high performance, well-known be quiet! low noise operations, and a category-beating price. Among its unmatched features are:

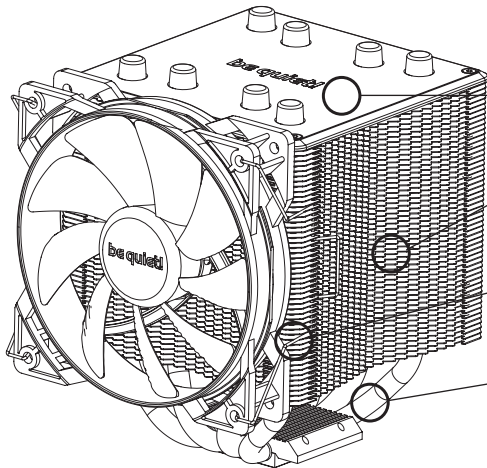
- Exceptionally high cooling benchmarks to complement its high cooling capacity of 180W TDP
- Turbulence-reducing wave design on cooling fins diminish noise generation and improves cooling performance
- Square, single tower layout saves space, supports four-directional fan mounting for best heat convection
- Four 8mm heatpipes carry heat to optimal location on the cooling fins
- Top cover with aluminum brushed finish
- Three year warranty
- German product conception, design and quality control

If you are seeking the best possible mix of exceptionally high cooling performance, remarkably quiet operations, and highly attractive price in the premium CPU cooler segment, your search is over. Shadow Rock 2 simply has to be your choice.

SHADOW ROCK 2

EXCEPTIONAL COOLING, SIGNIFICANT QUIET

Details »



▶ Top cover with aluminum brushed finish

▶ Low turbulence cooling fin design

▶ Freely-selectable fan mount point

▶ Four 8mm high performance heatpipes

Technical data for complete cooler unit »

Type of cooler	Shadow Rock 2
Model	BK013
Dimensions, incl. fan (HxWxD) (mm)	147 x 122 x 160
Weight, incl. fan (g)	1127
Heat sink material / finish	Aluminum
Socket compatibility	Intel®: LGA 775 / 1150 / 1155 / 1156 / 1366 / 2011 / 2066 AMD™: 754 / 939 / 940 / AM2(+) / AM3(+) / AM4 / FM1 / FM2
Maximum power capacity (W TDP)	180
Number of heatpipes / diameter (mm)	4 / 8
Noise level dB(A) @ 800/1200/1600rpm	15.3 / 19.8 / 25.4

Technical data for be quiet! fan »

Fan dimension (mm)	120 x 120 x 25
Fan speed (rpm) @ 100% PWM	1600
Noise level (dB(A)) @ 1600rpm	24.9
Airflow (m³/h); (cfm)	87 ; 51
Air pressure (mm/H₂O)	1.4
Input current (A)	0.24
Connector	4-pin PWM
Lifespan (h)	up to 80,000
Accessories	1g tube of thermal grease, Backplate mounting set for Intel® and AMD™, Manual (EN, DE, FR, ES, PL)

Certifications »



Contact »

Service Hotline: +49 40 7367 686 44 (Mo-Fr. 9:00-17:30)

Mail: service@bequiet.com