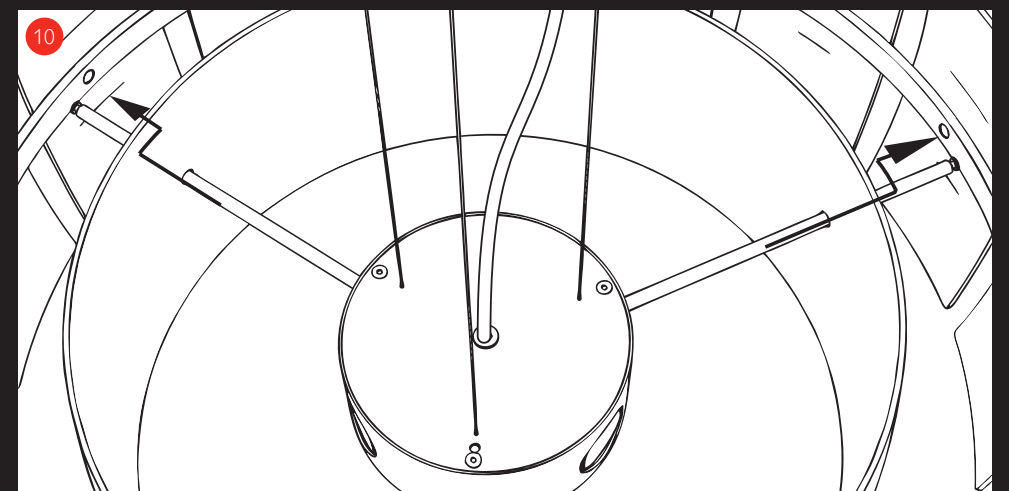
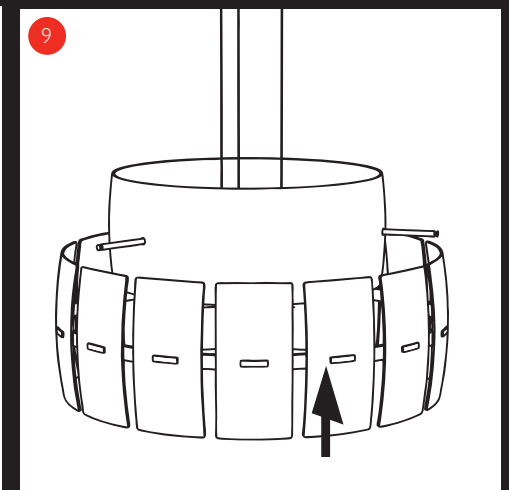
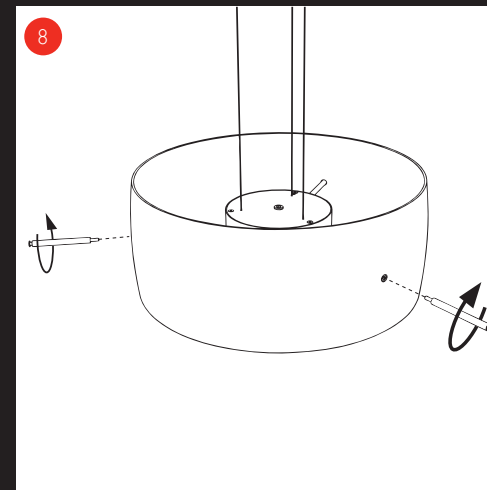
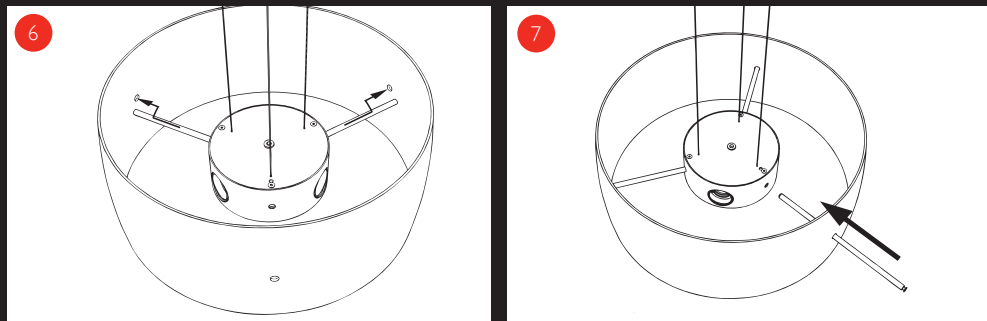
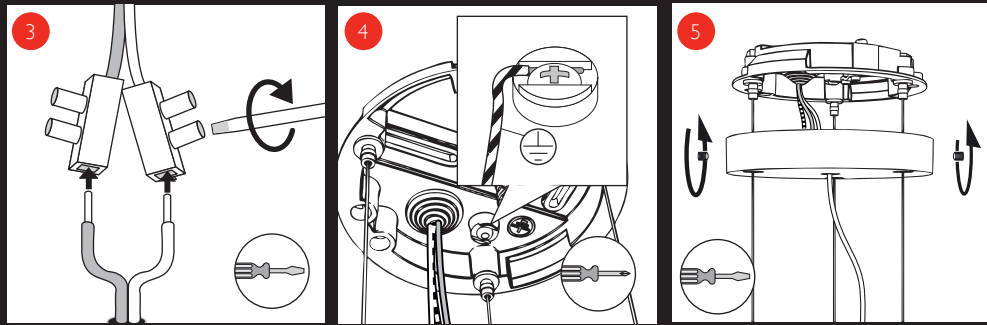
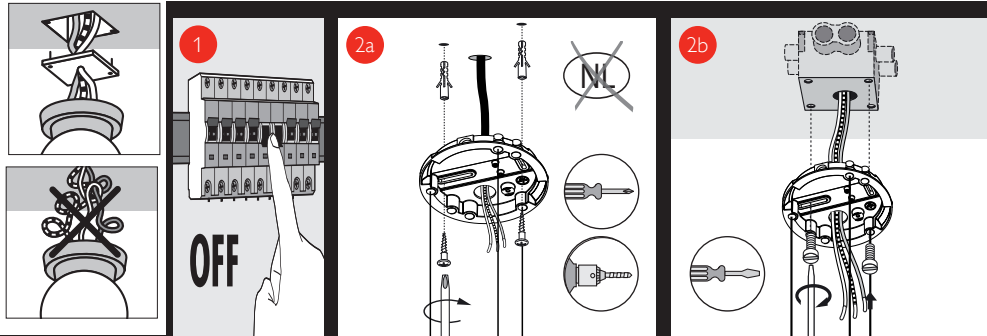


CREATE LIGHT CONTROL SHADOW



CREATE **LIGHT CONTROL SHADOW**

