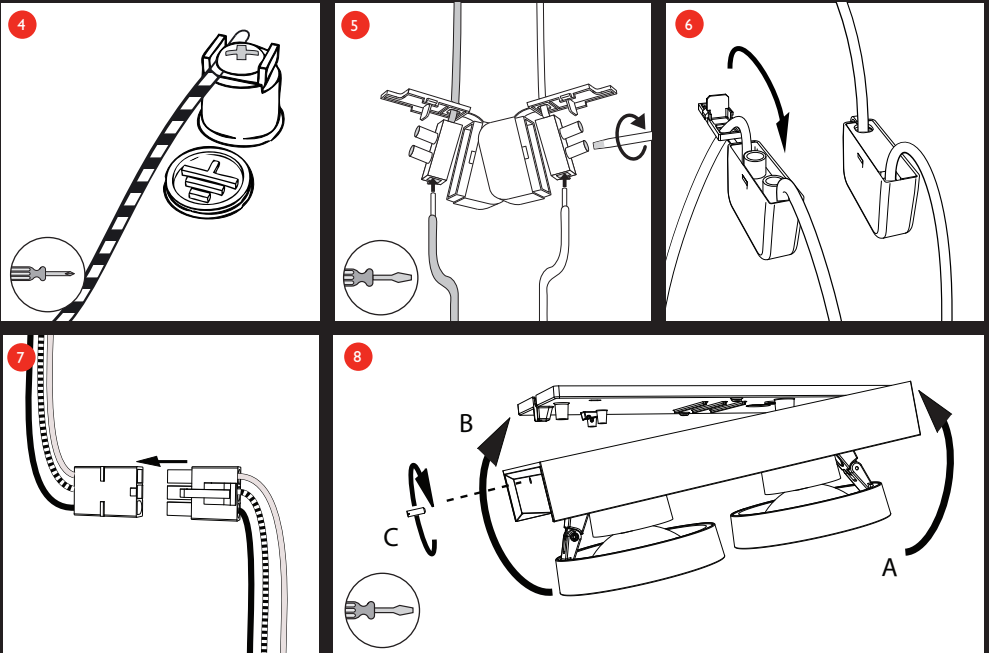
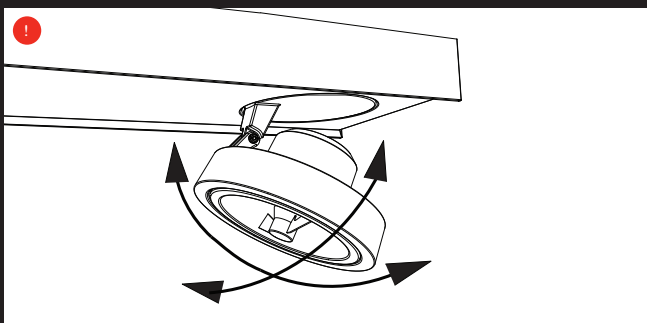
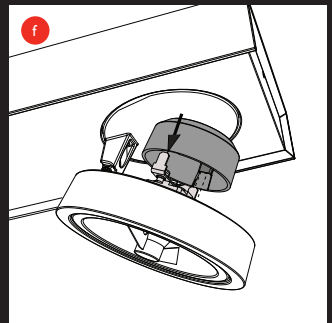
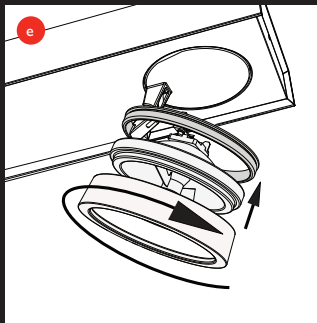
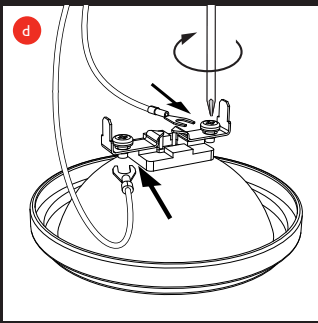
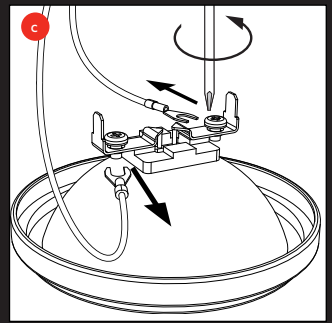
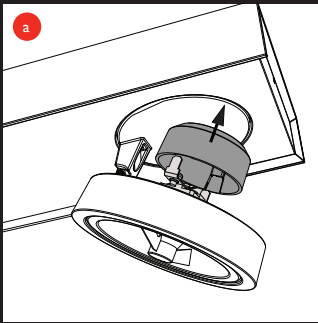


CREATE **LIGHT CONTROL SHADOW**



CREATE **LIGHT CONTROL SHADOW**





CREATE **LIGHT** CONTROL **SHADOW**