

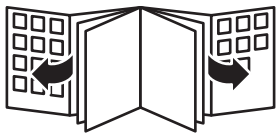
HD7567, HD7566, HD7565  
HD7564, HD7563, HD7562

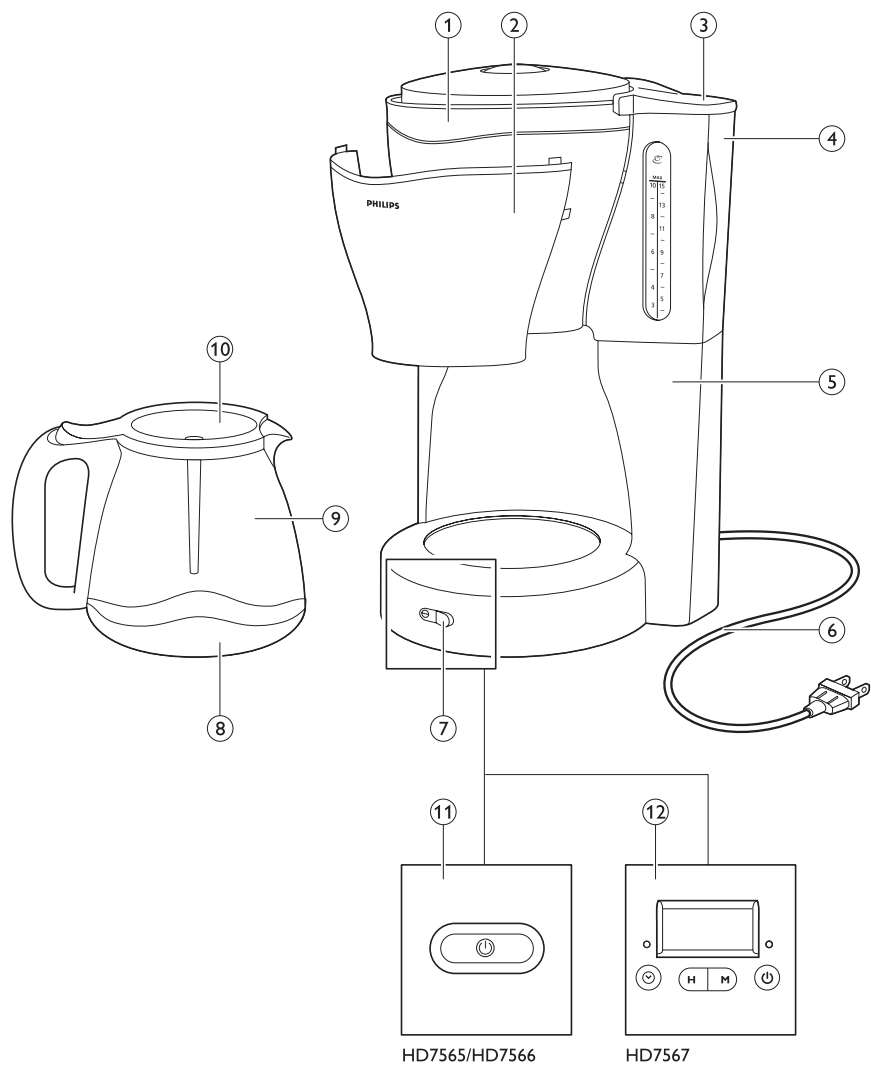


EN	User manual	5
DA	Brugervejledning	11
DE	Benutzerhandbuch	16
EL	Εγχειρίδιο χρήσης	22
ES	Manual del usuario	29
FI	Käyttöopas	35
FR	Mode d'emploi	41

IT	Manuale utente	47
NL	Gebruiksaanwijzing	53
NO	Brukerhåndbok	59
PT	Manual do utilizador	64
SV	Användarhandbok	70
TR	Kullanım kılavuzu	75

**PHILIPS**







---

# 1 Introduction

Congratulations on your purchase and welcome to Philips! To fully benefit from the support that Philips offers, register your product at [www.philips.com/welcome](http://www.philips.com/welcome).

---

## 2 Important

Read this user manual carefully before you use the appliance and save it for future reference.

### 2.0.1 Danger

- Never immerse the appliance in water or any other liquid.

### 2.0.2 Warning

- Check if the voltage indicated on the appliance corresponds to the local mains voltage before you connect the appliance.
- Do not use the appliance if the plug, the mains cord or the appliance itself is damaged.
- If the mains cord is damaged, you must have it replaced by Philips, a service centre authorised by Philips or similarly qualified persons in order to avoid a hazard.
- This appliance can be used by children aged from 8 years and above and by persons with reduced physical, sensory or mental capabilities or lack of experience and knowledge if they have been given supervision or instruction concerning use of the

appliance in a safe way and if they understand the hazards involved. Cleaning and user maintenance shall not be made by children unless they are older than 8 and supervised. Keep the appliance and its cord out of reach of children aged less than 8 years.

- Children shall not play with the appliance.
- Do not let the mains cord hang over the edge of the table or worktop on which the appliance stands.

### 2.0.3 Caution

- Do not place the appliance on a hot surface and prevent the mains cord from coming into contact with hot surfaces.
- Unplug the appliance if problems occur during brewing and before you clean it.
- This appliance is intended to be used in household and similar applications such as farm houses, bed and breakfast type environments, staff kitchen areas in shops, offices and other working environment, and by clients in hotels, motels and other residential type environments.

### 2.0.4 Electromagnetic fields (EMF)

This Philips appliance complies with all applicable standards and regulations regarding exposure to electromagnetic fields.

---

## 3 General description (Fig. 1)

- 1 Filter holder
- 2 Detachable front cover
- 3 Water tank lid
- 4 Water tank
- 5 Coffeemaker
- 6 Mains cord
- 7 On/off rocker switch with power-on light (HD7564/HD7563/HD7562)
- 8 Buffer ring (HD7567/HD7562)
- 9 Jug
- 10 Jug lid with mixing pipe
- 11 On/off button with power-on light (HD7566/HD7565)
- 12 Display with timer and on/off button with power-on light (HD7567)

---

## 4 Preparing for use

- 1 Put the appliance on a flat and stable surface.
- 2 Put the plug in an earthed wall socket.
- 3 To store excess cord, push it into the opening at the back of the coffeemaker (Fig. 2).

---

### 4.1 Setting the clock (HD7567 only)

- 1 After you have put the plug in the wall socket, the word 'SET' appears on the display (Fig. 3).
- 2 Press the 'H' button one or more times to set the hour (Fig. 4).
  - *The display shows the set hour (e.g. 7:00).*
- 3 Press the 'M' button one or more times to set the minutes (Fig. 5).
  - *The display shows the set minutes (e.g. 7:20).*

---

## 5 Using the appliance

---

### 5.1 Brewing coffee

- 1 Make sure the plug is in the wall socket.
- 2 Fill the water tank with fresh, cold water (Fig. 6).
  - The graduations on the left are for large cups (120ml).
  - The graduations on the right are for small cups (80ml).
- 3 Open the filter holder (Fig. 7).
- 4 Take a paper filter (type 1x4 or no. 4) and fold the sealed edges to prevent tearing and folding (Fig. 8).
- 5 Put the filter in the filter holder (Fig. 9).

 **Note:**

Some versions come with a permanent filter. In this case you do not need to use paper filters.

- 6 Put ground coffee (filter-fine grind) in the filter (Fig. 10).
  - For large cups: use one heaped measuring spoon of ground coffee for each cup.
  - For small cups: use one level measuring spoon of ground coffee for each cup.
- 7 Close the filter holder. (Fig. 11)
- 8 Place the jug on the hotplate (Fig. 12).
- 9 Switch on the appliance.
  - HD7564/HD7563/HD7562: Press the on/off rocker switch. The power-on light goes on (Fig. 13).
  - HD7566/HD7565: Press the on/of button. The power-on light goes on (Fig. 14).
  - HD7567: Press the on/off button. The power-on light goes on.
- 10 When all the water has passed through the filter, you can remove the jug from the appliance (Fig. 15).

 **Warning:**

If you remove the jug for more than 30 seconds before all the water has passed through the filter, the filter may overflow.

- 11** Press the on/off button (HD7567/HD7566/HD7565) or on/off rocker switch (HD7564/HD7563/HD7562) to switch off the appliance after use.

HD7566/HD7565: The appliance switches off automatically after 30 minutes.

- 12** Let the appliance cool down for at least 3 minutes before you start brewing coffee again.

## 5.2 Timer (HD7567 only)

You can use the timer to preset the time at which you want the coffeemaker to brew coffee.

### Note:

If you want to use the timer function, make sure the clock is set to the correct time. You can only set the current time when the appliance is switched off (see section 'Setting the clock (HD7567)' in chapter 'Preparing for use').

### Note:

After a power failure, you have to set the clock and the timer again.

- 1** Press the timer button (Fig. 16).
- *The display shows the set auto-on time and the orange timer light goes on.*

### Warning:

**After you press the timer button, the normal time reappears if you stop pressing the hour button or minutes button for more than 5 seconds. In that case, the timer is set.**

- 2** Press the 'H' button one or more times to set the hour (Fig. 4).
- 3** Press the 'M' button one or more times to set the minutes (Fig. 5).
- *5 seconds after you stop pressing the hour button or minutes button, the normal time reappears. The yellow timer light goes on to indicate that the timer is set.*
- 4** Follow steps 1 to 8 of section 'Brewing coffee' to prepare the appliance for brewing coffee.
- 5** The appliance starts brewing coffee at the preset time.
- *The yellow timer light goes off and the red power-on light goes on.*

### Note:

If you want to check whether you have set the timer correctly, press the timer button.

### Note:

If you want to switch off the timer, press the on/off button.

## 5.3 Features

### 5.3.1 Drip stop

- The drip stop system prevents coffee from dripping through the filter onto the hotplate when you remove the jug from the appliance during or after brewing.

### 5.3.2 Protective buffer ring (HD7567/HD7562 only)

- The jug has a detachable buffer ring that helps prevent the jug from breaking (Fig. 17).

### 5.3.3 Aroma swirl

- A mixing pipe attached to the jug lid makes the coffee circulate through the jug for optimal aroma distribution (Fig. 18).

## 5.4 Heating up coffee in the microwave

If you want to heat up coffee, you can place the jug in the microwave, even with the buffer ring attached.

---

## 6 Cleaning

### **Warning:**

Never immerse the appliance in water.

### **Warning:**

Never use scouring pads, abrasive cleaning agents or aggressive liquids such as petrol or acetone to clean the appliance. Only use a damp cloth

- 1 Let the appliance cool down and unplug it.
- 2 Clean the outside of the appliance with a damp cloth.
- 3 If you have used a permanent filter, empty it and rinse it under the tap.

---

### 6.1 Filter holder

You have to clean the filter holder regularly to avoid the build-up of coffee residues.

- 1 Lift up the filter holder to detach the lower hinge of the filter holder. (Fig. 19)
- 2 Tilt the bottom edge of the filter holder towards you (1). Move the filter holder downwards (2). (Fig. 20)
- 3 Detach the front cover of the filter holder:
  - All types except HD7566, HD7564: Pull the front cover off the filter holder (Fig. 21).
  - HD7566, HD7564: Squeeze the pins in the bottom of the filter holder (1) and remove the front cover (2) (Fig. 22).
- 4 Clean the front cover:
  - All types except HD7566, HD7564: clean the plastic front cover in hot water with some washing-up liquid or in the dishwasher.
  - HD7566, HD7564: clean the metal front cover with a moist cloth.

### **Warning:**

Do not clean the metal cover of the filter holder in the dishwasher.

- 5 Clean the filter holder in hot water with some washing-up liquid or in the dishwasher.

- 6 After cleaning, reattach the front cover to the filter holder:
  - All types except HD7566, HD7564: Snap the front cover back onto the filter holder.
  - HD7566, HD7564: Slide the positioning lugs in the openings (1) and then slide the metal cover upwards as far as it goes (2) (Fig. 23).
- 7 Put the filter holder back into the appliance.

---

### 6.2 Glass jug

- 1 HD7567/HD7562: Flip open and pull down the metal clamp to detach the buffer ring (Fig. 24).
- 2 Open the lid of the jug. Tilt the lid slightly to the left or right (1) and then pull it off the jug (2). (Fig. 25)
- 3 Clean the jug, the buffer ring (HD7567/HD7562 only) and the jug lid in hot water with some washing-up liquid or in the dishwasher.
- 4 After cleaning, rinse the glass jug with fresh hot water.
- 5 Make sure that the mixing pipe is not blocked by anything before you reattach the lid to the jug.

---

## 7 Descaling

Regular descaling prolongs the life of the appliance and guarantees optimal brewing results for a long time.

In case of normal use (two full jugs of coffee every day), we recommend the following descaling frequency:

- 2 or 3 times a year if you use soft water (up to 18dH);
- 4 or 5 times a year if you use hard water (over 18dH).

Contact your local water board for information about the water hardness in your area.

- HD7567: The word CALC appears on the display when you need to descale the appliance (Fig. 26).



To descale the appliance, perform the following steps:

- 1 Fill the water tank half full with water and a liquid descaler according to the instructions on the package.

**Tip:**

You can also use white vinegar (4% acetic acid).

**Warning:**

Do not use a powder descaler.

**Warning:**

Do not put a filter and ground coffee in the filter holder.

- 2 Let the appliance complete two brewing cycles.  
See chapter 'Using the appliance'. Let the appliance cool down for 3 minutes before you start the second brewing cycle.
- 3 Let the appliance complete two more brewing cycles with fresh, cold water to remove all descaler and scale residues.
- 4 Clean the jug and the filter holder (see chapter 'Cleaning').

## 8 Ordering accessories

To purchase accessories for this appliance, please visit our online shop at [www.shop.philips.com/service](http://www.shop.philips.com/service). If the online shop is not available in your country, go to your Philips dealer or a Philips service centre. If you have any difficulties obtaining accessories for your appliance, please contact the Philips Consumer Care Centre in your country. You find its contact details in the worldwide guarantee leaflet.

## 9 Recycling

- This symbol on a product means that the product is covered by European Directive 2012/19/EU. Inform yourself about the local separate collection system for electrical and electronic products. Follow local rules and never dispose of the product with normal household waste. Correct disposal of old products helps prevent negative consequences for the environment and human health (Fig. 27).

## 10 Guarantee and service

If you need service or information or if you have a problem, please visit the Philips website at [www.philips.com/support](http://www.philips.com/support) or contact the Philips Consumer Care Centre in your country. You find its phone number in the worldwide guarantee leaflet. If there is no Consumer Care Centre in your country, go to your local Philips dealer.

---

# 11 Troubleshooting

This chapter summarises the most common problems you could encounter with the appliance. If you are unable to solve the problem with the information below, visit [www.philips.com/support](http://www.philips.com/support) for a list of frequently asked questions or contact the Consumer Care Centre in your country.

## **Brewing coffee takes longer than usual.**

The appliance needs to be descaled  
(see chapter 'Descaling').

## **The coffee maker switches off before the water tank is empty.**

The appliance needs to be descaled  
(see chapter 'Descaling').

## **The filter overflows when the jug is removed from the appliance during brewing.**

Do not remove the jug for more than 30 seconds, to prevent the filter from overflowing.

## **The coffee flows from the filter, but does not flow into the jug properly or at all.**

Check if the mixing pipe is blocked.

---

# 1 Introduktion

Tillykke med dit køb og velkommen til Philips! For at få fuldt udbytte af den support, Philips tilbyder, skal du registrere dit produkt på [www.philips.com/welcome](http://www.philips.com/welcome).

---

## 2 Vigtigt

Læs denne brugsvejledning omhyggeligt igennem, inden apparatet tages i brug, og gem den til eventuelt senere brug.

### 2.0.1 Fare

- Kom aldrig apparatet ned i vand eller anden væske.

### 2.0.2 Advarsel

- Kontrollér, om den angivne netspænding på apparatet svarer til den lokale netspænding, før du slutter strøm til apparatet.
- Brug aldrig apparatet, hvis netstik, netledning eller selve apparatet er beskadiget.
- Hvis netledningen beskadiges, må den kun udskiftes af Philips- eller autoriseret Philips-serviceværksted eller en tilsvarende kvalificeret fagmand for at undgå enhver risiko.
- Dette apparat kan bruges af børn fra 8 år og opefter og personer med reducerede fysiske, sensoriske eller mentale evner eller manglende erfaring og viden, hvis de er blevet instrueret i sikker

brug af apparatet og forstår de medfølgende risici. Rengøring og brugervedligeholdelse må ikke foretages af børn, medmindre de er ældre end 8 og er under opsyn. Hold apparatet og dets ledning uden for rækkevidde af børn under 8 år:

- Lad ikke børn lege med apparatet.
- Lad aldrig ledningen hænge ud over kanten af det bord eller den plads, som apparatet står på.

### 2.0.3 Forsigtig

- Stil aldrig apparatet på et varmt underlag, og sørg for, at netledningen ikke kommer i berøring med varme flader.
- Tag stikket ud af apparatet, hvis der opstår problemer under brygningen, og før rengøring.
- Dette apparat er beregnet til brug i hjemmet og andre lignende steder som gårde, bed and breakfast-steder, personalekøkkener i butikker, på kontorer og i andre arbejdspladser og af gæster på hoteller, moteller og andre værelser til udlejning.

### 2.0.4 Elektromagnetiske felter (EMF)

Dette Philips-apparat overholder alle branchens gældende standarder og regler angående eksponering for elektromagnetiske felter.

---

## 3 Generel beskrivelse (fig. 1)

- 1 Filterholder
- 2 Aftageligt frontdæksel
- 3 Vandtankens låg
- 4 Vandtank
- 5 Kaffemaskine
- 6 Netledning
- 7 On/off-vippekontakt med kontrollampe (HD7564/HD7563/HD7562)
- 8 Kandeskåner (HD7567/HD7562)
- 9 Kande
- 10 Låg til kande med blandingsrør
- 11 On/off-knap med kontrollampe (HD7566/HD7565)
- 12 Display med timer og on/off-knap med kontrollampe (HD7567)

---

## 4 Klargøring

- 1 Stil apparatet på et fladt og stabilt underlag.
- 2 Sæt stikket i en stikkontakt med jordforbindelse.
- 3 Overskydende netledning kan skubbes ind i åbningen på kaffemaskinens bagside (fig. 2).

---

### 4.1 Indstilling af klokkeslæt (kun HD7567)

- 1 Når du har sat stikket i stikkontakten, ses ordet "SET" (INDSTILLET) på displayet (fig. 3).
- 2 Tryk på "H" knappen en eller flere gange for at indstille timetallet (fig. 4).
  - *Det indstillede timetal ses i displayet (f.eks. 07:00).*
- 3 Tryk på "M" knappen en eller flere gange for at indstille minuttallet (fig. 5).
  - *Det indstillede minuttal ses i displayet (f.eks. 07:20).*

---

## 5 Sådan bruges apparatet

---

### 5.1 Kaffebrygning

- 1 Sørg for, at stikket er sat i stikkontakten.
- 2 Fyld vandtanken med friskt, koldt vand (fig. 6).
  - Markeringerne til venstre gælder for store kopper (120 ml).
  - Markeringerne til højre er til små kopper (80 ml).
- 3 Luk filterholderen op (fig. 7).
- 4 Tag et papirfilter (type 1x4 eller nr. 4) og ombuk de forseglede kanter, så filteret ikke går itu eller falder sammen (fig. 8).
- 5 Sæt filteret i filterholderen (fig. 9).

#### Bemærk:

Nogle modeller leveres med et permanent filter. Er dette tilfældet, er det ikke nødvendigt at bruge et papirfilter.

- 6 Kom maled kaffebønner (beregnet til filterkaffe) i filteret (fig. 10).
  - Store kopper: 1 måleske med top pr. kop.
  - Til mindre kopper: 1 strøget måleske pr. kop.
- 7 Luk filterholderen. (fig. 11)
- 8 Stil kanden på varmepladen (fig. 12).
- 9 Tænd for apparatet.
  - HD7564/HD7563/HD7562: Tryk på on/off-vippekontakten. Kontrollampen tænder (fig. 13).
  - HD7566/HD7565: Tryk på on/off-knappen. Kontrollampen tænder (fig. 14).
  - HD7567: Tryk på on/off-knappen. Kontrollampen tænder.
- 10 Når vandet er løbet gennem filteret, kan kanden tages væk fra varmepladen (fig. 15).

#### Advarsel:

Hvis du fjerner kanden i mere end 30 sekunder, før alt vandet er løbet gennem filteret, kan filteret flyde over.

**11** Tryk på on/off-knappen (HD7567/HD7566/HD7565) eller on/off-vippekontakten (HD7564/HD7563/HD7562) for at slukke apparatet efter brug.  
HD7566/HD7565: Maskinen slukker automatisk efter 30 minutter.

**12** Lad apparatet afkøle i mindst 3 minutter, inden du laver mere kaffe.

## 5.2 Timer (kun HD7567)

Ved hjælp af timer-funktionen kan du indstille det tidspunkt, hvor du ønsker, at kaffebrygningen skal begynde.

### Bemærk:

Hvis du vil bruge timer-funktionen, skal du kontrollere, at klokkeslættet er indstillet korrekt. Tiden kan kun indstilles, når maskinen er slukket (se afsnittet "Indstilling af klokkeslæt (HD7567)" i afsnittet "Klargøring").

### Bemærk:

Efter strømafbrydelser skal klokkeslæt og timer indstilles igen.

- Tryk på timer-knappen (fig. 16).
  - Det indstillede tidspunkt for automatisk start ses i displayet, og den orange timer-indikator lyser.*

### Advarsel:

Når du har trykket på timer-knappen, ses den normale tid igen, hvis du slipper time/minut-knapperne i mere end 5 sekunder. Dette betyder, at timeren er indstillet.

- Tryk på "H" knappen en eller flere gange for at indstille timetallet (fig. 4).
- Tryk på "M" knappen en eller flere gange for at indstille minuttallet (fig. 5).
  - 5 sekunder efter du har sluppet time/minut knapperne, ses den normale tid igen. Den gule timer-indikator lyser for at vise, at timeren er indstillet.*
- Følg trin 1 til 8 i afsnittet "Kaffebrygning" for at klargøre maskinen til kaffebrygning.

**5** Maskinen starter kaffebrygningen på det indstillede tidspunkt.

- Den gule timer-indikator slukker, og den røde strømindikator lyser.*

### Bemærk:

Hvis du vil kontrollere, om du har indstillet timeren korrekt, skal du trykke på timer-knappen.

### Bemærk:

Hvis du vil deaktivere timeren, skal du trykke på on/off-knappen.

## 5.3 Funktioner

### 5.3.1 Drypstop-funktion

- Drypstop-systemet sikrer, at der ikke drypper kaffe fra filteret ned på varmepladen, når kanden flyttes under eller efter brygningen.

### 5.3.2 Beskyttende kandeskåner (kun HD7567/HD7562)

- Kaffekanden har en aftagelig kandeskåner, som beskytter kanden, så den ikke så nemt går i stykker (fig. 17).

### 5.3.3 Aromacirkulation

- Et blandingsrør, der sidder på kandens låg, får kaffen til at cirkulere gennem kanden, så der opnås optimal aromafordeleling (fig. 18).

## 5.4 Opvarmning af kaffe i mikrobølgeovn

Hvis du vil opvarme kaffen, kan kanden sættes i mikrobølgeovnen – selv med påsat kandeskåner.

---

## 6 Rengøring

### **Advarsel:**

Apparatet må aldrig komme ned i vand.

### **Advarsel:**

Brug aldrig skuresvampe eller skrappe rengøringsmidler så som benzin, acetone eller lignende til rengøring af apparatet. Benyt kun en fugtig klud

- 1 Lad apparatet køle af, og tag stikket ud.
- 2 Apparatet rengøres udvendigt med en fugtig klud.
- 3 Har du brugt et permanent filter, skal dette blot tømmes og skylles under vandhanen.

---

### 6.1 Filterholder

Du skal rengøre filterholderen jævnligt for at undgå, at der samler sig kafferester:

- 1 Løft filterholderen for at løsne det nederste hængsel på filterholderen. (fig. 19)
- 2 Vip den nederste kant på filterholderen ind mod dig selv (1). Ryk filterholderen nedad (2). (fig. 20)
- 3 Tag frontdækslet af filterholderen.
  - Alle typer undtagen HD7566, HD7564: Træk frontdækslet af filterholderen (fig. 21).
  - HD7566, HD7564: Tryk på stifterne i bunden af filterholderen (1), og fjern frontdækslet (2) (fig. 22).
- 4 Rengør frontdækslet.
  - Alle typer undtagen HD7566, HD7564: Vask plastikfrontdækslet i varmt vand tilsat lidt opvaskemiddel eller i opvaskemaskinen.
  - HD7566, HD7564: Rengør metalfrontdækslet med en fugtig klud.

### **Advarsel:**

Rengør ikke filterholderens metaldæksel i opvaskemaskinen.

- 5 Vask filterholderen i varmt vand tilsat lidt opvaskemiddel eller i opvaskemaskinen.

- 6 Efter rengøring skal du sætte frontdækslet på filterholderen igen.
  - Alle typer undtagen HD7566, HD7564: Sæt frontdækslet på filterholderen igen.
  - HD7566, HD7564: Sæt positionstapperne i åbningerne (1), og skub derefter metaldækslet så langt opad som muligt (2) (fig. 23).
- 7 Sæt filterholderen tilbage i apparatet ('klik').

---

### 6.2 Glaskande

- 1 HD7567/HD7562: Åbn og træk i metalklemmerne for at tage kandeskåneren af (fig. 24).
- 2 Åbn låget på kanden. Vip låget lidt til venstre eller højre (1), og tag det derefter af kanden (2). (fig. 25)
- 3 Rengør kanden, kandeskåneren (kun HD7567/HD7562) og kandens låg i varmt vand tilsat lidt opvaskemiddel eller i opvaskemaskinen.
- 4 Efter rengøring skal glaskanden skylles med rent, varmt vand.
- 5 Kontrollér, at blandingsrøret ikke er blokeret, før du sætter låget på kanden.

---

## 7 Afkalkning

Regelmæssig afkalkning forlænger kaffemaskinens levetid og sikrer optimal kaffebrørgning i meget lang tid.

Ved normal brug (to hele kander kaffe om dagen) anbefales følgende afkalkningsfrekvens:

- 2-3 gange om året, hvis du har blødt vand (op til 18 dH);
- 4-5 gange om året, hvis du har hårdt vand (over 18 dH).

Oplysninger om vandets hårdhedsgrad fås på det lokale vandværk.

- HD7567: Ordet CALC ses i displayet, når det er tid til at afkalke maskinen (fig. 26).

Ved afkalkning af maskinen gøres følgende:

- 1 Fyld vandtanken halvt med vand og flydende afkalkningsmiddel i henhold til anvisningerne på emballagen.

### **Tip:**

Du kan også bruge hvid eddike.

### **Advarsel:**

Brug aldrig afkalkningspulver.

### **Advarsel:**

Sæt ikke filter og malet kaffe i filterholderen.

- 2 Lad maskinen køre 2 gange igennem med denne blanding.  
Se afsnittet "Sådan bruges apparatet".  
Lad maskinen afkøle i 3 minutter; før du starter den anden bryggeproces.
- 3 Lad derefter maskinen køre yderligere to gange igennem med rent vand for at skylle eventuelle afkalkningsrester og kalkpartikler bort.
- 4 Vask kanden og filterholderen (se afsnittet "Rengøring").

## 8 Bestilling af tilbehør

Hvis du vil købe tilbehør til dette apparat, skal du besøge vores onlinebutik på [www.shop.philips.com/service](http://www.shop.philips.com/service). Hvis onlinebutikken ikke er tilgængelig i dit land, skal du gå til din Philips-forhandler eller et Philips Kundecenter. Hvis du har problemer med at skaffe tilbehør til apparatet, kan du kontakte dit lokale Philips Kundecenter. Du kan finde kontaktoplysningerne i folderen "World-Wide Guarantee".

## 9 Genanvendelse

- Dette symbol på et produkt betyder, at produktet er omfattet af EU-direktivet 2012/19/EU. Hold dig orienteret om systemet for særskilt indsamling af elektriske og elektroniske produkter: Følg lokale regler, og bortskaf aldrig produktet sammen med almindeligt husholdningsaffald. Korrekt bortskaffelse af udtjente produkter er med til at forhindre negativ påvirkning af miljøet og menneskers helbred (fig. 27).

## 10 Reklamationsret og service

Hvis du har brug for hjælp eller oplysninger; eller hvis der opstår et problem, skal du besøge Philips' websted på [www.philips.com/support](http://www.philips.com/support) eller kontakte dit lokale Philips Kundecenter. Telefonnumre findes i vedlagte "worldwide guarantee"-folder; Hvis der ikke findes et kundecenter i dit land, bedes du kontakte din lokale Philips-forhandler.

## 11 Fejlfinding

Dette kapitel opsummerer de mest almindelige problemer; der kan forekomme ved brug af apparatet. Har du brug for yderligere hjælp og vejledning, så besøg [www.philips.com/support](http://www.philips.com/support) for en liste af ofte stillede spørgsmål eller kontakt dit lokale Philips Kundecenter.

**Kaffebrygningen tager længere tid en normalt.**  
Apparatet skal afkalkes (se afsnittet "Afkalkning").

**Kaffemaskinen slukker, inden vandtanken er tom.**  
Apparatet skal afkalkes (se afsnittet "Afkalkning").

**Filteret flyder over, når kanden flyttes fra apparatet under brygning.**

Fjern ikke kanden i mere end 30 sekunder for at undgå, at filteret flyder over.

**Kaffen løber ud af filteret, men den løber ikke ordentligt/slet ikke ned i kanden.**  
Kontrollér, om blandingsrøret er blokeret.

---

# 1 Einführung

Herzlichen Glückwunsch zu Ihrem Kauf und willkommen bei Philips! Um die Unterstützung von Philips optimal nutzen zu können, registrieren Sie Ihr Produkt bitte unter [www.philips.com/welcome](http://www.philips.com/welcome).

---

## 2 Wichtig

Lesen Sie diese Bedienungsanleitung vor dem Gebrauch des Geräts aufmerksam durch, und bewahren Sie sie für eine spätere Verwendung auf.

### 2.0.1 Gefahr

- Tauchen Sie das Gerät niemals in Wasser oder andere Flüssigkeiten.

### 2.0.2 Warnung

- Prüfen Sie, bevor Sie das Gerät in Betrieb nehmen, ob die Spannungsangabe auf dem Gerät mit der örtlichen Netzspannung übereinstimmt.
- Verwenden Sie das Gerät nicht, wenn der Netzstecker, das Netzkabel oder das Gerät selbst defekt oder beschädigt sind.
- Um Gefährdungen zu vermeiden, darf ein defektes Netzkabel nur von einem Philips Service-Center, einer von Philips autorisierten Werkstatt oder einer ähnlich qualifizierten Person durch ein Original-Ersatzkabel ersetzt werden.

- Dieses Gerät kann von Kindern ab 8 Jahren und Personen mit verringerten physischen, sensorischen oder psychischen Fähigkeiten oder Mangel an Erfahrung und Kenntnis verwendet werden, wenn sie bei der Verwendung beaufsichtigt werden oder Anweisung zum sicheren Gebrauch des Geräts erhalten und die Gefahren verstanden haben. Reinigung und Pflege des Geräts dürfen nicht von Kindern durchgeführt werden, außer Sie sind älter als 8 Jahre und beaufsichtigt. Bewahren Sie das Gerät und das Kabel außerhalb der Reichweite von Kindern unter 8 Jahren auf.
- Kinder dürfen nicht mit dem Gerät spielen.
- Lassen Sie das Netzkabel nicht über den Rand der Arbeitsfläche hängen, auf der das Gerät steht.

### 2.0.3 Achtung

- Stellen Sie das Gerät nicht auf heiße Flächen. Lassen Sie auch das Netzkabel nicht mit heißen Oberflächen in Berührung kommen.
- Ziehen Sie den Netzstecker aus der Steckdose, falls Probleme während des Brühvorgangs auftreten und bevor Sie das Gerät reinigen.
- Dieses Gerät ist für die Verwendung im Haushalt und in Einrichtungen wie Bauernhöfen, Frühstückspensioen, Mitarbeiterküchen in Geschäften, Büros und anderen Arbeitsumgebungen sowie für Kunden in Hotels, Motels und anderen Einrichtungen vorgesehen.



### 2.0.4 Elektromagnetische Felder

Dieses Philips Gerät erfüllt sämtliche Normen und Regelungen bezüglich der Exposition in elektromagnetischen Feldern.

---

## 3 Allgemeine Beschreibung (Abb. 1)

- 1 Filterhalter
- 2 Abnehmbare Frontabdeckung
- 3 Deckel des Wasserbehälters
- 4 Wasserbehälter
- 5 Kaffeemaschine
- 6 Netzkabel
- 7 Ein-/Aus-Kippschalter mit Betriebsanzeige (HD7564/HD7563/HD7562)
- 8 Bruchschuttring (HD7567/HD7562)
- 9 Kaffeekanne
- 10 Kannendeckel mit Mixrohr
- 11 Ein-/Ausschalter mit Betriebsanzeige (HD7566/HD7565)
- 12 Display mit Timer und Ein-/Ausschalter mit Betriebsanzeige (HD7567)

---

## 4 Für den Gebrauch vorbereiten

- 1 Stellen Sie das Gerät auf eine ebene und feste Oberfläche.
- 2 Stecken Sie den Netzstecker in eine geerdete Steckdose.
- 3 Überschüssiges Kabel können Sie in das Kabelfach an der Rückseite des Geräts schieben (Abb. 2).

---

## 4.1 Die Uhr einstellen (nur HD7567)

- 1 Nachdem Sie den Stecker in die Steckdose gesteckt haben, erscheint im Display "SET" (Einstellen) (Abb. 3)
- 2 Drücken Sie die Taste "H" einmal oder mehrmals, um die Stunde einzustellen (Abb. 4).
  - *Im Display sehen Sie die eingestellte Stunde (z. B. 7:00).*
- 3 Drücken Sie die Taste "M" einmal oder mehrmals, um die gewünschten Minuten einzustellen (Abb. 5).
  - *Im Display sehen Sie die eingestellten Minuten (z. B. 7:20).*

---

## 5 Das Gerät benutzen

### 5.1 Kaffee brühen

- 1 Vergewissern Sie sich, dass sich der Netzstecker in der Steckdose befindet.
- 2 Füllen Sie den Wasserbehälter mit frischem, kaltem Wasser (Abb. 6).
  - Die linke Maßeinteilung bezieht sich auf große Tassen (120 ml).
  - Die rechte Maßeinteilung bezieht sich auf kleine Tassen (80 ml).
- 3 Öffnen Sie den Filterhalter (Abb. 7).
- 4 Nehmen Sie eine Papierfiltertüte (Typ 1x4 oder Nr. 4), und falten Sie die gestanzten Ränder, damit die Filtertüte nicht reißt oder einknickt (Abb. 8).
- 5 Setzen Sie den Filter in den Filterhalter (Abb. 9).

#### Hinweis:

Einige Gerätetypen sind mit einem Dauerfilter ausgestattet. In diesem Fall sind keine Papierfilter erforderlich.

**6** Geben Sie (für Filterkaffee) gemahlene Kaffee in den Filter (Abb. 10).

- Für große Tassen: Nehmen Sie einen gehäuften Messlöffel gemahlene Kaffee pro Tasse.
- Für kleine Tassen: Nehmen Sie einen gestrichenen Messlöffel gemahlene Kaffee pro Tasse.

**7** Schließen Sie den Filterhalter. (Abb. 11)

**8** Stellen Sie die Kanne auf die Warmhalteplatte (Abb. 12).

**9** Schalten Sie das Gerät ein.

- HD7564/HD7563/HD7562: Drücken Sie den Ein-/Aus-Kippschalter. Die Betriebsanzeige leuchtet auf (Abb. 13).
- HD7566/HD7565: Drücken Sie den Ein-/Ausschalter. Die Betriebsanzeige leuchtet auf (Abb. 14).
- HD7567: Drücken Sie den Ein-/Ausschalter. Die Betriebsanzeige leuchtet auf.

**10** Wenn das Wasser vollständig durch den Filter gelaufen ist, können Sie die Kanne vom Gerät nehmen (Abb. 15).

#### **Warnung:**

Wenn Sie die Kanne länger als 30 Sekunden vom Gerät nehmen, bevor das Wasser vollständig durch den Filter gelaufen ist, kann es passieren, dass der Filter überläuft.

**11** Drücken Sie den Ein-/Ausschalter (HD7567/HD7566/HD7565) oder den Ein-/Aus-Kippschalter (HD7564/HD7563/HD7562), um das Gerät nach dem Gebrauch auszuschalten. HD7566/HD7565: Das Gerät schaltet sich nach 30 Minuten automatisch aus.

**12** Lassen Sie das Gerät ca. 3 Minuten abkühlen, bevor Sie erneut mit der Zubereitung von Kaffee beginnen.

## 5.2 Timer (nur HD7567)

Mithilfe des Timers können Sie die Zeit voreinstellen, zu der das Gerät mit der Kaffeezubereitung beginnen soll.

### **Hinweis:**

Wenn Sie die Timer-Funktion verwenden, müssen Sie darauf achten, dass die Uhr auf die richtige Zeit eingestellt ist. Die aktuelle Zeit lässt sich nur bei ausgeschaltetem Gerät einstellen (siehe Abschnitt "Die Uhr einstellen" (HD7567) im Kapitel "Für den Gebrauch vorbereiten").

### **Hinweis:**

Nach einem Stromausfall müssen Sie die Uhr und den Timer neu einstellen.

**1** Drücken Sie die Timer-Taste (Abb. 16).

- *Im Display erscheint die eingestellte Zeit für das automatische Einschalten, die orangefarbene Timer-Anzeige leuchtet.*

### **Warnung:**

Nach dem Drücken der Timer-Taste erscheint wieder die normale Uhrzeit, wenn Sie anschließend länger als 5 Sekunden die Stunden- oder die Minutentaste nicht mehr drücken. In diesem Fall ist der Timer eingestellt.

**2** Drücken Sie die Taste "H" einmal oder mehrmals, um die gewünschte Stunde einzustellen (Abb. 4).

**3** Drücken Sie die Taste "M" einmal oder mehrmals, um die gewünschten Minuten einzustellen (Abb. 5).

- *5 Sekunden, nachdem Sie zuletzt die Stunden- oder die Minutentaste gedrückt haben, erscheint wieder die normale Zeit. Die gelbe Timer-Anzeige leuchtet und zeigt Ihnen an, dass der Timer eingestellt ist.*

**4** Folgen Sie den Schritten 1 bis 8 im Abschnitt "Kaffee brühen", um das Gerät für die Zubereitung von Kaffee vorzubereiten.

**5** Das Gerät beginnt zur voreingestellten Zeit mit dem Brühen.

- *Die gelbe Timer-Anzeige erlischt, die rote Betriebsanzeige leuchtet auf.*

### Hinweis:

Wenn Sie die Timer-Einstellung überprüfen möchten, drücken Sie die Timer-Taste.

### Hinweis:

Wenn Sie den Timer ausschalten möchten, drücken Sie den Ein-/Ausschalter.

## 5.3 Eigenschaften

### 5.3.1 Tropf-Stopp

- Das Tropf-Stopp-System verhindert, dass Kaffee durch den Filter auf die Warmhalteplatte tropft, wenn Sie die Kanne während oder nach der Kaffeezubereitung vom Gerät nehmen.

### 5.3.2 Bruchschutzring (nur HD7567/HD7562)

- Zum Schutz vor Beschädigungen verfügt die Kanne über einen abnehmbaren Bruchschutzring (Abb. 17).

### 5.3.3 Aroma Swirl

- Durch ein im Kannendeckel angebrachtes Mixrohr zirkuliert der Kaffee in der Kanne und entfaltet so sein optimales Aroma (Abb. 18).

## 5.4 Kaffee im Mikrowellenherd aufwärmen

Zum Aufwärmen von Kaffee können Sie die Kanne in den Mikrowellenherd stellen - auch mit angebrachtem Bruchschutzring.

## 6 Pflege

### Warnung:

**Tauchen Sie das Gerät niemals in Wasser!**

### Warnung:

**Benutzen Sie zum Reinigen des Geräts keine Scheuerschwämme und -mittel oder aggressive Flüssigkeiten wie Benzin oder Azeton. Verwenden Sie lediglich ein feuchtes Tuch.**

- 1 Lassen Sie das Gerät abkühlen, und ziehen Sie den Netzstecker aus der Steckdose.
- 2 Reinigen Sie das Gerät von außen mit einem feuchten Tuch.
- 3 Bei Verwendung eines Dauerfilters entleeren Sie den Filter und spülen ihn unter fließendem Wasser ab.

## 6.1 Filterhalter

Reinigen Sie regelmäßig den Filterhalter, um das Absetzen von Kaffeerückständen zu verhindern.

- 1 Heben Sie den Filterhalter an, um die untere Halterung des Filterhalters abzunehmen. (Abb. 19)
- 2 Neigen Sie den unteren Rand des Filterhalters zu sich (1). Schieben Sie den Filterhalter nach unten (2). (Abb. 20)
- 3 Nehmen Sie die Frontabdeckung des Filterhalters ab.
  - Alle Typen außer HD7566, HD7564: Ziehen Sie die Frontabdeckung vom Filterhalter ab (Abb. 21).
  - HD7566, HD7564: Drücken Sie die Stifte am Boden des Filterhalters zusammen (1), und nehmen Sie die Frontabdeckung ab (2) (Abb. 22).
- 4 Reinigen Sie die Frontabdeckung.
  - Alle Typen außer HD7566, HD7564: Reinigen Sie die Frontabdeckung aus Kunststoff in heißem Spülwasser oder im Geschirrspüler.
  - HD7566, HD7564: Reinigen Sie die Frontabdeckung aus Metall mit einem feuchten Tuch.

### **Warnung:**

Reinigen Sie die Metallabdeckung des Filterhalters nicht im Geschirrspüler.

- 5 Reinigen Sie den Filterhalter in heißem Spülwasser oder im Geschirrspüler.
- 6 Setzen Sie die Frontabdeckung nach der Reinigung wieder auf den Filterhalter:
  - Alle Typen außer HD7566, HD7564: Stecken Sie die Frontabdeckung wieder auf den Filterhalter.
  - HD7566, HD7564: Schieben Sie die Haltetaschen in die Öffnungen (1), und schieben Sie die Metallabdeckung so weit wie möglich nach oben (2) (Abb. 23).
- 7 Setzen Sie den Filterhalter wieder in das Gerät ein.

## 6.2 Glaskanne

- 1 HD7567/HD7562: Klappen Sie die Metallklammer auf, und ziehen Sie sie nach unten, um den Bruchschutzring abzunehmen (Abb. 24).
- 2 Öffnen Sie den Kannendeckel. Neigen Sie den Deckel nach links oder rechts (1), und ziehen Sie ihn von der Kanne (2). (Abb. 25)
- 3 Reinigen Sie die Kanne, den Bruchschutzring (nur HD7567/HD7562) und den Kannendeckel in heißem Spülwasser oder im Geschirrspüler.
- 4 Spülen Sie die Glaskanne nach der Reinigung mit heißem Leitungswasser aus.
- 5 Stellen Sie sicher, dass das Mixrohr nicht blockiert ist, bevor Sie den Deckel wieder auf die Kanne setzen.

## 7 Entkalken

Regelmäßiges Entkalken verlängert die Nutzungsdauer des Geräts und garantiert langfristig optimale Ergebnisse bei der Kaffeezubereitung.

Bei normalem Gebrauch (zwei volle Kannen Kaffee täglich) empfiehlt es sich, das Gerät in folgenden Abständen zu entkalken:

- - 2 bis 3 Mal pro Jahr bei weichem Wasser (unter 18 dH);
- - 4 bis 5 Mal pro Jahr bei hartem Wasser (über 18 dH).

Das für Sie zuständige Wasserwerk kann Ihnen Auskunft über den Härtegrad in Ihrer Region geben.

- HD7567: Im Display erscheint dann der Hinweis CALC (Abb. 26).

Gehen Sie zum Entkalken wie folgt vor:

- 1 Füllen Sie den Wasserbehälter halb voll mit Wasser und einem flüssigen Entkalker entsprechend der Gebrauchsanleitung auf der Verpackung des Entkalkers.

### **Tipp:**

Sie können auch Haushaltsessig (4 % Säuregehalt) verwenden.

### **Warnung:**

Benutzen Sie auf keinen Fall Entkalkungspulver.

### **Warnung:**

Setzen Sie keine Filtertüte mit gemahlenem Kaffee in den Filterhalter.

- 2 Lassen Sie das Gerät zweimal komplett durchlaufen.  
Siehe Kapitel "Das Gerät benutzen".  
Lassen Sie das Gerät vor dem zweiten Durchlaufen 3 Minuten lang abkühlen.
- 3 Betreiben Sie dann das Gerät noch zweimal mit frischem kaltem Wasser, um alle Rückstände von Entkalker und Kalk zu beseitigen.
- 4 Reinigen Sie die Kanne und den Filterhalter (siehe Kapitel "Reinigung").

## 8 Zubehör bestellen

Um Zubehör für dieses Gerät zu kaufen, besuchen Sie unseren Online-Shop unter **[www.shop.philips.com/service](http://www.shop.philips.com/service)**. Wenn der Online-Shop in Ihrem Land nicht verfügbar ist, wenden Sie sich an Ihren Philips Händler oder ein Philips Service-Center. Sollten Sie Schwierigkeiten bei der Beschaffung von Zubehör für Ihr Gerät haben, wenden Sie sich bitte an ein Philips Service-Center in Ihrem Land. Die entsprechenden Kontaktinformationen finden Sie in der beiliegenden Garantieschrift.

## 9 Recycling

- Befindet sich dieses Symbol auf einem Gerät, gilt für dieses Gerät die Europäische Richtlinie 2012/19/EU. Informieren Sie sich über die örtlichen Bestimmungen zur getrennten Entsorgung von elektrischen und elektronischen Produkten. Befolgen Sie die örtlichen Bestimmungen, und entsorgen Sie Ihr Gerät niemals über den normalen Hausmüll. Durch die korrekte Entsorgung von Altgeräten werden Umwelt und Menschen vor negativen Folgen geschützt (Abb. 27).

## 10 Garantie und Kundendienst

Benötigen Sie weitere Informationen oder treten Probleme auf, besuchen Sie bitte die Philips Website **[www.philips.com/support](http://www.philips.com/support)**, oder setzen Sie sich mit einem Philips Service-Center in Ihrem Land in Verbindung. Die Telefonnummer finden Sie in der internationalen Garantieschrift. Sollte es in Ihrem Land kein Service-Center geben, wenden Sie sich bitte an Ihren Philips Händler.

## 11 Fehlerbehebung

In diesem Abschnitt sind die häufigsten Probleme zusammengestellt, die mit Ihrem Gerät auftreten können. Sollten Sie ein Problem mithilfe der nachstehenden Informationen nicht beheben können, besuchen Sie unsere Website unter: **[www.philips.com/support](http://www.philips.com/support)** für eine Liste mit häufig gestellten Fragen, oder wenden Sie sich den Kundendienst in Ihrem Land.

### Die Zubereitung von Kaffee dauert außergewöhnlich lange.

Das Gerät muss entkalkt werden (siehe Kapitel "Entkalken").

### Die Kaffeemaschine schaltet sich aus, bevor der Wasserbehälter leer ist.

Das Gerät muss entkalkt werden (siehe Kapitel "Entkalken").

### Der Filter läuft über, wenn die Kanne während des Brühvorgangs vom Gerät entfernt wird.

Nehmen Sie die Kanne maximal 30 Sekunden vom Gerät, damit der Filter nicht überläuft.

### Der Kaffee fließt durch den Filter, jedoch nicht richtig in die Kanne oder überhaupt nicht.

Überprüfen Sie, ob das Mixrohr möglicherweise blockiert ist.

---

# 1 Εισαγωγή

Συγχαρητήρια για την αγορά σας και καλώς ήρθατε στη Philips! Για να επωφεληθείτε πλήρως από την υποστήριξη που παρέχει η Philips, δηλώστε το προϊόν σας στην ιστοσελίδα [www.philips.com/welcome](http://www.philips.com/welcome).

---

## 2 Σημαντικό

Διαβάστε προσεκτικά το παρόν εγχειρίδιο χρήσης προτού χρησιμοποιήσετε τη συσκευή και κρατήστε το για μελλοντική αναφορά.

### 2.0.1 Κίνδυνος

- Μην βυθίζετε ποτέ τη συσκευή σε νερό ή οποιοδήποτε άλλο υγρό.

### 2.0.2 Προειδοποίηση

- Πριν συνδέσετε τη συσκευή, ελέγξτε αν η τάση που αναγράφεται στη συσκευή αντιστοιχεί στην τοπική τάση ρεύματος.
- Μην χρησιμοποιείτε τη συσκευή εάν το φις, το καλώδιο ή η ίδια η συσκευή έχει υποστεί φθορά.
- Αν το καλώδιο υποστεί φθορά, θα πρέπει να αντικατασταθεί από ένα κέντρο επισκευών εξουσιοδοτημένο από τη Philips ή από εξίσου εξειδικευμένα άτομα, προς αποφυγή κινδύνου.

- Αυτή η συσκευή μπορεί να χρησιμοποιηθεί από παιδιά ηλικίας 8 ετών και άνω, καθώς και από άτομα με περιορισμένες σωματικές, αισθητήριες ή διανοητικές ικανότητες ή χωρίς εμπειρία και γνώση, με την προϋπόθεση ότι τη χρησιμοποιούν υπό επίβλεψη ή έχουν λάβει οδηγίες σχετικά με την ασφαλή της χρήση και κατανοούν τους ενεχόμενους κινδύνους. Τα παιδιά δεν πρέπει να καθαρίζουν τη συσκευή ή να εκτελούν διεργασίες συντήρησης, εκτός κι αν είναι πάνω από 8 ετών και επιβλέπονται από κάποιον ενήλικα. Κρατήστε τη συσκευή και το καλώδιο μακριά από παιδιά κάτω των 8 ετών.
- Τα παιδιά δεν πρέπει να παίζουν με τη συσκευή.
- Μην αφήνετε το καλώδιο να κρέμεται από την άκρη του τραπεζιού ή του πάγκου στον οποίο έχετε τοποθετήσει τη συσκευή.

### 2.0.3 Προσοχή

- Μην τοποθετείτε τη συσκευή πάνω σε ζεστή επιφάνεια και αποφύγετε την επαφή του καλωδίου με ζεστές επιφάνειες.
- Αποσυνδέστε τη συσκευή εάν προκύψουν προβλήματα κατά την παρασκευή καφέ και πριν τον καθαρισμό της.

- Αυτή η συσκευή προορίζεται για χρήση στο σπίτι και σε παρόμοια περιβάλλοντα, όπως εξοχικά, πανσιόν, κουζίνες προσωπικού σε καταστήματα, γραφεία και άλλα εργασιακά περιβάλλοντα, καθώς και από πελάτες σε ξενοδοχεία, πανδοχεία και άλλα περιβάλλοντα που προσφέρουν υπηρεσίες διαμονής.

#### 2.0.4 Ηλεκτρομαγνητικά πεδία (EMF)

Η συγκεκριμένη συσκευή της Philips συμμορφώνεται με όλα τα ισχύοντα πρότυπα και τους κανονισμούς σχετικά με την έκθεση σε ηλεκτρομαγνητικά πεδία.

## 3 Γενική περιγραφή (Εικ. 1)

- 1 Υποδοχή φίλτρου
- 2 Αποσπώμενο μπροστινό κάλυμμα
- 3 Καπάκι δεξαμενής νερού
- 4 Δοχείο νερού
- 5 Καφετιέρα
- 6 Καλώδιο
- 7 Διακόπτης on/off με λυχνία λειτουργίας (HD7564/HD7563/HD7562)
- 8 Προστατευτικός δακτύλιος (HD7567/HD7562)
- 9 Κανάτα
- 10 Καπάκι κανάτας με εξάρτημα ανάμειξης αρώματος
- 11 Κουμπί on/off με λυχνία (HD7566/HD7565)
- 12 Οθόνη χρονοδιακόπτη και κουμπί on/off με λυχνία λειτουργίας (HD7567)

## 4 Προετοιμασία για χρήση

- 1 Τοποθετήστε τη συσκευή σε επίπεδη και σταθερή επιφάνεια.
- 2 Συνδέστε το φινς σε πρίζα με γείωση.
- 3 Για να αποθηκεύσετε το καλώδιο που περισσεύει, πιέστε το μέσα στο άνοιγμα στο πίσω μέρος της καφετιέρας (Εικ. 2).

### 4.1 Ρύθμιση του ρολογιού (μόνο στον τύπο HD7567)

- 1 Αφού έχετε συνδέσει το φινς στην πρίζα, στην οθόνη εμφανίζεται η λέξη 'SET' (ρύθμιση) (Εικ. 3).
- 2 Πιέστε το κουμπί 'H' μία ή περισσότερες φορές για να ρυθμίσετε την ώρα (Εικ. 4).
  - Στην οθόνη εμφανίζεται η ώρα που ρυθμίσατε (π.χ. 7:00).
- 3 Πιέστε το κουμπί 'M' μία ή περισσότερες φορές για να ρυθμίσετε τα λεπτά (Εικ. 5).
  - Στην οθόνη εμφανίζονται τα λεπτά που ρυθμίσατε (π.χ. 7:20).

## 5 Χρήση της συσκευής

### 5.1 Παρασκευή καφέ

- 1 Βεβαιωθείτε ότι έχετε συνδέσει το φινς στην πρίζα.
- 2 Γεμίστε τη δεξαμενή νερού με φρέσκο, κρύο νερό (Εικ. 6).
  - Οι διαβαθμίσεις στα αριστερά είναι για μεγάλα φλιτζάνια (120ml).
  - Οι διαβαθμίσεις στα δεξιά είναι για μικρά φλιτζάνια (80ml).
- 3 Ανοίξτε την υποδοχή φίλτρου (Εικ. 7).

- 4** Πάρτε ένα χάρτινο φίλτρο (τύπος 1x4 ή νούμερο 4) και διπλώστε τις σφραγισμένες άκρες για να εμποδίσετε το σκίσιμο και το διπλωμα (Εικ. 8).
- 5** Τοποθετήστε το φίλτρο στην υποδοχή φίλτρου (Εικ. 9).

### Σημείωση:

Ορισμένα μοντέλα είναι εφοδιασμένα με μόνιμο φίλτρο. Σε αυτήν την περίπτωση, δεν χρειάζεται να χρησιμοποιείτε χάρτινα φίλτρα.

- 6** Βάλτε αλεσμένο καφέ (λεπτοαλεσμένο καφέ φίλτρου) μέσα στο φίλτρο (Εικ. 10).
- Για μεγάλα φλιτζάνια: βάλτε μια γεμάτη κουταλιά αλεσμένου καφέ για κάθε φλιτζάνι.
  - Για μικρά φλυτζάνια: βάλτε μια κοφή κουταλιά αλεσμένου καφέ για κάθε φλιτζάνι.
- 7** Κλείστε την υποδοχή του φίλτρου. (Εικ. 11)
- 8** Τοποθετήστε την κανάτα στη θερμαινόμενη πλάκα (Εικ. 12).
- 9** Ενεργοποιήστε τη συσκευή.
- HD7564/HD7563/HD7562: Πιέστε το διακόπτη on/off. Η λυχνία λειτουργίας ανάβει (Εικ. 13).
  - HD7566/HD7565: Πιέστε το κουμπί on/off. Η λυχνία λειτουργίας ανάβει (Εικ. 14).
  - HD7567: Πιέστε το κουμπί on/off. Η λυχνία λειτουργίας ανάβει.
- 10** Όταν όλο το νερό αδειάσει από το φίλτρο, μπορείτε να αφαιρέσετε την κανάτα από τη συσκευή (Εικ. 15).

### Προειδοποίηση:

Εάν, προτού αδειάσει όλο το νερό από το φίλτρο, αφαιρέσετε την κανάτα για περισσότερο από 30 δευτερόλεπτα, το φίλτρο ενδέχεται να ξεχειλίσει.

- 11** Πιέστε το κουμπί on/off (HD7567/HD7566/HD7565) ή το διακόπτη on/off (HD7564/

HD7563/HD7562) για να απενεργοποιήσετε τη συσκευή μετά τη χρήση.

HD7566/HD7565: Η συσκευή απενεργοποιείται αυτόματα μετά από 30 λεπτά.

- 12** Αφήστε τη συσκευή να κρυώσει τουλάχιστον για 3 λεπτά πριν αρχίσετε να παρασκευάζετε και πάλι καφέ.

## 5.2 Χρονοδιακόπτης (μόνο στον τύπο HD7567)

Μπορείτε να χρησιμοποιήσετε το χρονοδιακόπτη για να προκαθορίσετε την ώρα που θέλετε να ξεκινήσει η καφετιέρα την παρασκευή καφέ.

### Σημείωση:

Εάν θέλετε να χρησιμοποιήσετε τη λειτουργία χρονοδιακόπτη, βεβαιωθείτε ότι το ρολόι είναι ρυθμισμένο στη σωστή ώρα. Μπορείτε να ρυθμίσετε την τρέχουσα ώρα μόνο όταν η συσκευή είναι απενεργοποιημένη (δείτε την ενότητα 'Ρύθμιση του ρολογιού (HD7567)' στο κεφάλαιο 'Προετοιμασία για χρήση').

### Σημείωση:

Μετά από μια διακοπή ρεύματος, θα πρέπει να ρυθμίσετε το ρολόι και το χρονοδιακόπτη ξανά.

- 1** Πιέστε το κουμπί του χρονοδιακόπτη (Εικ. 16).
- *Στην οθόνη εμφανίζεται η ώρα αυτόματης ενεργοποίησης που έχετε ρυθμίσει και η πορτοκαλί λυχνία χρονοδιακόπτη ανάβει.*

### Προειδοποίηση:

Αφού πιέσετε το κουμπί του χρονοδιακόπτη, η κανονική ώρα επανεμφανίζεται εάν σταματήσετε να πιέζετε το κουμπί ώρας ή το κουμπί λεπτών για περισσότερο από 5 δευτερόλεπτα. Σε αυτή την περίπτωση, ο χρονοδιακόπτης έχει ρυθμιστεί.

- 2** Πιέστε το κουμπί 'H' μία ή περισσότερες φορές για να ρυθμίσετε την ώρα (Εικ. 4).



- 3** Πιέστε το κουμπί 'M' μία ή περισσότερες φορές για να ρυθμίσετε τα λεπτά (Εικ. 5).
- *5 δευτερόλεπτα αφού σταματήσετε να πιέζετε το κουμπί ώρας ή το κουμπί λεπτών, η κανονική ώρα επανεμφανίζεται. Η κίτρινη λυχνία χρονοδιακόπτη ανάβει υποδεικνύοντας ότι ο χρονοδιακόπτης έχει ρυθμιστεί.*

- 4** Ακολουθήστε τα βήματα 1 έως 8 της ενότητας 'Παρασκευή καφέ' για να προετοιμάσετε τη συσκευή για την παρασκευή καφέ.

- 5** Η συσκευή ξεκινά την παρασκευή καφέ την προκαθορισμένη ώρα.
- *Η κίτρινη λυχνία χρονοδιακόπτη σβήνει και η κόκκινη λυχνία λειτουργίας ανάβει.*

### **Σημείωση:**

Εάν θέλετε να βεβαιωθείτε ότι έχετε ρυθμίσει σωστά το χρονοδιακόπτη, πιέστε το κουμπί χρονοδιακόπτη.

### **Σημείωση:**

Εάν θέλετε να απενεργοποιήσετε το χρονοδιακόπτη, πιέστε το κουμπί on/off.

## 5.3 Χαρακτηριστικά

### 5.3.1 Διακοπή σταξίματος

- Η λειτουργία διακοπής σταξίματος εμποδίζει τον καφέ να στάζει από το φίλτρο πάνω στη θερμαινόμενη πλάκα όταν αφαιρείτε την κανάτα από τη συσκευή κατά τη διάρκεια ή μετά την παρασκευή του καφέ.

### 5.3.2 Προστατευτικός δακτύλιος (μόνο στους τύπους HD7567/HD7562)

- Η κανάτα διαθέτει αποσπώμενο προστατευτικό δακτύλιο που την προστατεύει από το να σπάσει (Εικ. 17).

### 5.3.3 Ανάμιξη αρώματος

- Το εξάρτημα ανάμιξης αρώματος, που είναι ενσωματωμένο στο καπάκι της κανάτας, εξασφαλίζει την κυκλοφορία του καφέ στην κανάτα για βέλτιστη κατανομή του αρώματος (Εικ. 18).

## 5.4 Ζέσταμα του καφέ σε φούρνο μικροκυμάτων

Εάν θέλετε να ζεσπάνετε τον καφέ, μπορείτε να τοποθετήσετε την κανάτα στο φούρνο μικροκυμάτων, ακόμη και με τον προστατευτικό δακτύλιο.

## 6 Καθάρισμα

### **Προειδοποίηση:**

**Μην βυθίζετε ποτέ τη συσκευή σε νερό.**

### **Προειδοποίηση:**

Μην χρησιμοποιείτε ποτέ συρμάτινα σφουγγαράκια, σπλινθωτικά καθαριστικά ή υγρά όπως πετρέλαιο ή ασετόν για τον καθαρισμό της συσκευής. Χρησιμοποιείτε μόνο ένα υγρό πανί.

- 1** Αφήστε τη συσκευή να κρυώσει και αποσυνδέστε τη από την πρίζα.
- 2** Καθαρίστε το εξωτερικό μέρος της συσκευής με ένα υγρό πανί.
- 3** Εάν είχατε χρησιμοποιήσει μόνιμο φίλτρο, αδειάστε το και ξεπλύνετε το κάτω από τη βρύση.

## 6.1 Υποδοχή φίλτρου

Θα πρέπει να καθαρίζετε την υποδοχή φίλτρου τακτικά για να αποφύγετε τη συσσώρευση υπολειμμάτων καφέ.

- 1** Ανασηκώστε την υποδοχή φίλτρου για να αποσυνδέσετε τον κάτω πείρο της υποδοχής φίλτρου. (Εικ. 19)
- 2** Γείρετε το κάτω άκρο της υποδοχής φίλτρου προς τα εσάς (1). Μετακινήστε την υποδοχή φίλτρου προς τα κάτω (2). (Εικ. 20)
- 3** Αποσυνδέστε το μπροστινό κάλυμμα της υποδοχής φίλτρου.
  - Για όλους τους τύπους εκτός από τον τύπο HD7566, HD7564: Τραβήξτε το μπροστινό κάλυμμα και αφαιρέστε το από την υποδοχή φίλτρου (Εικ. 21).
  - HD7566, HD7564: Πιέστε τους πείρους στο κάτω μέρος της υποδοχής φίλτρου (1) και αφαιρέστε το μπροστινό κάλυμμα (2) (Εικ. 22).

- 4** Καθαρίστε το μπροστινό κάλυμμα.
- Για όλους τους τύπους εκτός από τον τύπο HD7566, HD7564: Καθαρίστε το πλαστικό μπροστινό κάλυμμα με ζεστό νερό και λίγο υγρό απορρυπαντικό ή στο πλυντήριο πιάτων.
  - HD7566, HD7564: Καθαρίστε το μεταλλικό μπροστινό κάλυμμα με ένα υγρό πανί.

#### **Προειδοποίηση:**

**Μην πλένετε το μεταλλικό κάλυμμα της υποδοχής φίλτρου στο πλυντήριο πιάτων.**

- 5** Καθαρίστε την υποδοχή φίλτρου σε ζεστό νερό με λίγο υγρό απορρυπαντικό ή στο πλυντήριο πιάτων.
- 6** Μετά τον καθαρισμό, επανασυνδέστε το μπροστινό κάλυμμα στην υποδοχή φίλτρου.
- Για όλους τους τύπους εκτός από τον τύπο HD7566, HD7564: Εφαρμόστε πάλι το μπροστινό κάλυμμα στην υποδοχή φίλτρου.
  - HD7566, HD7564: Τοποθετήστε τις προεξοχές μέσα στα ανοίγματα (1) και, στη συνέχεια, σπρώξτε το μεταλλικό κάλυμμα προς τα επάνω μέχρι το τέρμα (2) (Εικ. 23).
- 7** Τοποθετήστε ξανά το στήριγμα του φίλτρου στη συσκευή.

## 6.2 Γυάλινη κανάτα

- 1** HD7567/HD7562: Ανασηκώστε και πιέστε προς τα κάτω το μεταλλικό συσφιγκτήρα για να αφαιρέσετε τον προστατευτικό δακτύλιο (Εικ. 24).
- 2** Ανοίξτε το καπάκι της κανάτας. Γείρετε το καπάκι ελαφρά προς τα αριστερά ή τα δεξιά (1) και, στη συνέχεια, αφαιρέστε το από την κανάτα (2). (Εικ. 25)
- 3** Καθαρίστε την κανάτα, τον προστατευτικό δακτύλιο (μόνο στους τύπους HD7567/HD7562) και το καπάκι της κανάτας σε ζεστό νερό με λίγο υγρό απορρυπαντικό ή στο πλυντήριο πιάτων.

- 4** Μετά τον καθαρισμό, ξεπλύνετε τη γυάλινη κανάτα με φρέσκο, ζεστό νερό.
- 5** Βεβαιωθείτε ότι το εξάρτημα ανάμειξης αρώματος δεν μπλοκάρει από τίποτα πριν προσαρτήσετε ξανά το καπάκι στην κανάτα.

## 7 Αφαίρεση αλάτων

Η τακτική αφαίρεση των αλάτων επιμηκύνει τη διάρκεια ζωής της συσκευής και εγγυάται άριστα αποτελέσματα στην παρασκευή καφέ για μεγάλο χρονικό διάστημα.

Στην περίπτωση συνηθισμένης χρήσης (δύο γεμάτες κανάτες καφέ ημερησίως), συνιστάται η αφαίρεση αλάτων με την παρακάτω συχνότητα:

- 2 ή 3 φορές το χρόνο εάν χρησιμοποιείτε μαλακό νερό (έως 18 dH),
- 4 ή 5 φορές το χρόνο εάν χρησιμοποιείτε σκληρό νερό (πάνω από 18 dH).

Για πληροφορίες σχετικά με την σκληρότητα του νερού της περιοχής σας, απευθυνθείτε στην τοπική υπηρεσία ύδρευσης.

- HD7567: Η λέξη CALC (άλατα) εμφανίζεται στην οθόνη όταν χρειάζεται να αφαιρέσετε τα άλατα από τη συσκευή (Εικ. 26).

Για να αφαιρέσετε τα άλατα από τη συσκευή, πραγματοποιήστε τα παρακάτω βήματα:

- 1** Γεμίστε έως τη μέση τη δεξαμενή νερού με νερό και ένα υγρό αφαλατικό, σύμφωνα με τις οδηγίες στη συσκευασία.

#### **Συμβουλή:**

Μπορείτε επίσης να χρησιμοποιήσετε λευκό ξύδι (ακετικό οξύ 4%).

#### **Προειδοποίηση:**

**Μην χρησιμοποιείτε αφαλατικό σε σκόνη.**

#### **Προειδοποίηση:**

**Μην τοποθετήσετε φίλτρο και αλεσμένο καφέ στην υποδοχή φίλτρου.**

- 2 Αφήστε τη συσκευή να ολοκληρώσει δύο κύκλους λειτουργίας.  
Δείτε το κεφάλαιο 'Χρήση της συσκευής'. Αφήστε τη συσκευή να κρυώσει για 3 λεπτά προτού προβείτε στον δεύτερο κύκλο λειτουργίας.
- 3 Αφήστε τη συσκευή να ολοκληρώσει δύο ακόμη κύκλους λειτουργίας με φρέσκο, κρύο νερό προκειμένου να αφαιρεθούν όλα τα υπολείμματα αφαλατικού και αλάτων.
- 4 Καθαρίστε την κανάτα και την υποδοχή φίλτρου (δείτε το κεφάλαιο 'Καθαρισμός').

---

## 8 Παραγγελία εξαρτημάτων

Για να προμηθευτείτε εξαρτήματα για αυτήν τη συσκευή, επισκεφτείτε το ηλεκτρονικό μας κατάστημα στη διεύθυνση

**[www.shop.philips.com/service](http://www.shop.philips.com/service)**. Αν το ηλεκτρονικό κατάστημα δεν είναι διαθέσιμο για τη χώρα σας, απευθυνθείτε στον τοπικό αντιπρόσωπο της Philips ή σε κάποιο κέντρο επισκευών της Philips. Αν αντιμετωπίσετε δυσκολίες στην ανεύρεση εξαρτημάτων για τη συσκευή, επικοινωνήστε με το Κέντρο Εξυπηρέτησης Καταναλωτών της Philips στη χώρα σας. Θα βρείτε τα στοιχεία επικοινωνίας στο φυλλάδιο της διεθνούς εγγύησης.

---

## 9 Ανακύκλωση

- Αυτό το σύμβολο δηλώνει ότι το προϊόν καλύπτεται από την Ευρωπαϊκή Οδηγία 2012/19/EK. Ενημερωθείτε για τους τοπικούς κανονισμούς σχετικά με την ξεχωριστή συλλογή ηλεκτρικών και ηλεκτρονικών προϊόντων. Να τηρείτε τους τοπικούς κανονισμούς και να μην απορρίπτετε ποτέ το προϊόν μαζί με τα συνηθισμένα οικιακά απορρίμματα. Η σωστή απόρριψη των παλιών προϊόντων συμβάλλει στην αποφυγή αρνητικών επιπτώσεων για το περιβάλλον και την ανθρώπινη υγεία (Εικ. 27).

---

## 10 Εγγύηση και επισκευή

Εάν χρειαστείτε επισκευή ή πληροφορίες ή εάν αντιμετωπίζετε κάποιο πρόβλημα, επισκεφθείτε την τοποθεσία της Philips στη διεύθυνση **[www.philips.com/support](http://www.philips.com/support)** ή επικοινωνήστε με το Κέντρο Εξυπηρέτησης Καταναλωτών της Philips στη χώρα σας. Θα βρείτε το τηλέφωνο στο φυλλάδιο διεθνούς εγγύησης. Εάν δεν υπάρχει Κέντρο Εξυπηρέτησης Καταναλωτών στη χώρα σας, απευθυνθείτε στον τοπικό αντιπρόσωπο της Philips.

---

# 11 Αντιμετώπιση προβλημάτων

Αυτό το κεφάλαιο συνοψίζει τα πιο συνηθισμένα προβλήματα που μπορεί να αντιμετωπίσετε με τη συσκευή. Αν δεν μπορέσετε να λύσετε το πρόβλημα με τις παρακάτω πληροφορίες, ανατρέξτε στη λίστα συχνών ερωτήσεων στη διεύθυνση [www.philips.com/support](http://www.philips.com/support) ή επικοινωνήστε με το Κέντρο Εξυπηρέτησης Καταναλωτών στη χώρα σας.

**Η παρασκευή καφέ διαρκεί περισσότερο από ότι συνήθως.**

Η συσκευή χρειάζεται αφαλάτωση (δείτε το κεφάλαιο “Αφαίρεση αλάτων”).

**Η καφετιέρα απενεργοποιείται προτού αδειάσει το δοχείο νερού.**

Η συσκευή χρειάζεται αφαλάτωση (δείτε το κεφάλαιο “Αφαίρεση αλάτων”).

**Το φίλτρο υπερχειλίζει όταν η κανάτα αφαιρεθεί από τη συσκευή κατά τη διάρκεια παρασκευής καφέ.**

Μην αφαιρείτε την κανάτα για περισσότερο από 30 δευτερόλεπτα, ώστε να αποτρέψετε την υπερχειλίση του φίλτρου.

**Ο καφές ρέει από το φίλτρο αλλά δεν ρέει μέσα στην κανάτα σωστά ή καθόλου.**

Ελέγξτε μήπως το εξάρτημα ανάμειξης αρώματος έχει μπλοκάρει.

---

# 1 Introducción

Enhorabuena por la compra de este producto y bienvenido a Philips. Para sacar el mayor partido de la asistencia que Philips le ofrece, registre su producto en [www.philips.com/welcome](http://www.philips.com/welcome).

---

## 2 Importante

Antes de usar el aparato, lea atentamente este manual de usuario y consérvelo por si necesitara consultarlo en el futuro.

### 2.0.1 Peligro

- No sumerja nunca el aparato en agua u otros líquidos.

### 2.0.2 Advertencia

- Antes de enchufar el aparato, compruebe si el voltaje indicado en el mismo se corresponde con el voltaje de red local.
- No utilice el aparato si la clavija, el cable de alimentación o el propio aparato están dañados.
- Si el cable de alimentación está dañado, debe ser sustituido por Philips o por un centro de servicio autorizado por Philips, con el fin de evitar situaciones de peligro.
- Este aparato puede ser usado por niños a partir de 8 años y por personas con su capacidad física, psíquica o sensorial reducida y por quienes no tengan los conocimientos y la experiencia necesarios, si han sido supervisados

o instruidos acerca del uso del aparato de forma segura y siempre que sepan los riesgos que conlleva su uso. Los niños no deben llevar a cabo la limpieza ni el mantenimiento a menos que tengan más de 8 años o sean supervisados. Mantenga el aparato y el cable fuera del alcance de los niños menores de 8 años.

- No permita que los niños jueguen con el aparato.
- No deje que el cable de red cuelgue del borde de la mesa o encimera donde esté colocado el aparato.

### 2.0.3 Precaución

- No coloque el aparato sobre superficies calientes y evite que el cable entre en contacto con superficies calientes.
- Desenchufe el aparato antes de limpiarlo, así como si se produce algún problema durante la preparación de café.
- Este aparato está diseñado para utilizarlo en entornos domésticos o similares como: viviendas de granjas, hostales en los que se ofrecen desayunos, zona de cocina en tiendas, oficinas y otros entornos laborales, y por clientes de hoteles, moteles y entornos residenciales de otro tipo.

### 2.0.4 Campos electromagnéticos (CEM)

Este aparato de Philips cumple los estándares y las normativas aplicables sobre exposición a campos electromagnéticos.

---

## 3 Descripción general (fig. 1)

- 1 Portafiltro
- 2 Cubierta frontal desmontable
- 3 Tapa del depósito de agua
- 4 Depósito de agua
- 5 Cafetera
- 6 Cable de alimentación
- 7 Interruptor de encendido/apagado con piloto de encendido (HD7564/HD7563/HD7562)
- 8 Base protectora (HD7567/HD7562)
- 9 Jarra
- 10 Tapa de la jarra con tubo para mezclar
- 11 Botón de encendido/apagado con piloto de encendido (HD7566/HD7565)
- 12 Pantalla con temporizador y botón de encendido/apagado con piloto de encendido (HD7567)

---

## 4 Preparación para su uso

- 1 Coloque el aparato sobre una superficie plana y estable.
- 2 Conecte el aparato a un enchufe con toma de tierra.
- 3 Para guardar el cable sobrante, introdúzcalo por la abertura que hay en la parte de atrás de la cafetera (fig. 2).

---

### 4.1 Ajuste del reloj (sólo modelo HD7567)

- 1 Después de enchufar el aparato a la red, la palabra "SET" (ajustar) aparece en la pantalla (fig. 3).
- 2 Pulse el botón "H" una o más veces para ajustar la hora (fig. 4).
  - *La pantalla muestra la hora establecida (p. ej. 7:00).*

- 3 Pulse el botón "M" una o más veces para ajustar los minutos (fig. 5).
  - *La pantalla muestra los minutos establecidos (p. ej. 7:20).*

---

## 5 Uso del aparato

---

### 5.1 Cómo hacer café

- 1 Asegúrese de que la clavija está enchufada a la red.
- 2 Llene el depósito de agua con agua fría (fig. 6).
  - Las graduaciones de la izquierda corresponden a tazas grandes (120 ml).
  - Las graduaciones de la derecha corresponden a tazas pequeñas (80 ml).
- 3 Abra el portafiltro (fig. 7).
- 4 Coja un filtro de papel (de tipo 1 x 4 o n° 4) y doble los bordes sellados para evitar que se rompa o arrugue (fig. 8).
- 5 Coloque el filtro en el portafiltro (fig. 9).

#### Nota:

Algunos modelos incluyen un filtro permanente. En ese caso, no necesita utilizar filtros de papel.

- 6 Ponga café molido (molido adecuado para filtro) en el filtro (fig. 10).
  - Para tazas grandes: utilice un cacito dosificador colmado de café molido por taza.
  - Para tazas pequeñas: utilice un cacito dosificador raso de café molido por taza.
- 7 Cierre el portafiltro. (fig. 11)
- 8 Coloque la jarra sobre la placa caliente (fig. 12).
- 9 Encienda el aparato.
  - HD7564/HD7563/HD7562: Pulse el interruptor de encendido/apagado. El piloto de encendido se ilumina (fig. 13).
  - HD7566/HD7565: Pulse el botón de encendido/apagado. El piloto de encendido se ilumina (fig. 14).
  - HD7567: Pulse el botón de encendido/apagado. El piloto de encendido se ilumina.

**10** Cuando toda el agua haya pasado por el filtro, puede retirar la jarra del aparato (fig. 15).

**⚠ Advertencia:**

Si retira la jarra durante más de 30 segundos antes de que toda el agua haya pasado por el filtro, éste puede rebosar.

**11** Pulse el botón de encendido/apagado (HD7567/HD7566/HD7565) o el interruptor de encendido/apagado (HD7564/HD7563/HD7562) para apagar el aparato después de usarlo.

HD7566/HD7565: El aparato se apaga automáticamente después de 30 minutos.

**12** Deje que el aparato se enfríe durante al menos 3 minutos antes de volver a preparar café.

## 5.2 Temporizador (sólo modelo HD7567)

Puede utilizar el temporizador para ajustar la hora a la que desea que la cafetera prepare el café.

**ⓘ Nota:**

Si desea utilizar la función del temporizador, asegúrese de que el reloj esté ajustado a la hora correcta. Podrá ajustar la hora actual únicamente cuando el aparato esté apagado (consulte la sección "Ajuste del reloj (sólo modelo HD7567)" del capítulo "Preparación para su uso").

**ⓘ Nota:**

Después de un fallo en el suministro de energía, es necesario volver a ajustar el reloj y el temporizador:

- 1** Pulse el botón del temporizador (fig. 16).
  - *La pantalla muestra la hora de encendido automático establecida y el piloto naranja del temporizador se enciende.*

**⚠ Advertencia:**

Después de pulsar el botón del temporizador, la hora normal vuelve a aparecer si deja de pulsar el botón de las horas o el de los minutos durante más de 5 segundos. En ese caso, el temporizador se ha ajustado.

**2** Pulse el botón "H" una o más veces para ajustar la hora (fig. 4).

**3** Pulse el botón "M" una o más veces para ajustar los minutos (fig. 5).

- *Pasados 5 segundos tras dejar de pulsar el botón de las horas o el de los minutos, la hora normal vuelve a aparecer. El piloto amarillo del temporizador se enciende para indicar que éste se ha ajustado.*

**4** Siga los pasos 1 a 8 del apartado "Cómo hacer café" para preparar el aparato.

**5** El aparato comienza a preparar el café a la hora establecida.

- *El piloto amarillo del temporizador se apaga y el piloto rojo de encendido se enciende.*

**ⓘ Nota:**

Si desea comprobar si ha ajustado correctamente el temporizador, pulse el botón del temporizador.

**ⓘ Nota:**

Si desea apagar el temporizador, pulse el botón de encendido/apagado.

## 5.3 Características

### 5.3.1 Antigoteo

- El sistema antigoteo impide que el café salga a través del filtro y gotee en la placa caliente cuando quite la jarra del aparato mientras se está preparando el café o después.

### 5.3.2 Base protectora (sólo modelo HD7567/HD7562)

- La jarra tiene una base protectora que ayuda a evitar que la jarra se rompa (fig. 17).

### 5.3.3 Espiral de aroma

- Un tubo para mezclar colocado en la tapa de la jarra hace que el café circule por la jarra para que se distribuya el aroma de forma óptima (fig. 18).

## 5.4 Cómo calentar café en el microondas

Si desea calentar café, puede colocar la jarra en el microondas, incluso con la base protectora puesta.

---

## 6 Limpieza

### **Advertencia:**

No sumerja nunca el aparato en agua.

### **Advertencia:**

No utilice estropajos, materiales de limpieza abrasivos ni líquidos agresivos, como gasolina o acetona, para limpiar el aparato. Utilice solamente un paño húmedo.

- 1 Deje que el aparato se enfríe y desenchúfelo.
- 2 Limpie la parte exterior con un paño húmedo.
- 3 Si ha utilizado un filtro permanente, vacíelo y enjuáguelo bajo el grifo.

---

### 6.1 Portafiltro

El portafiltro debe limpiarse con regularidad para evitar la acumulación de restos de café.

- 1 Empuje hacia arriba el portafiltro para soltar la bisagra inferior del mismo. (fig. 19)
- 2 Tire del borde inferior del portafiltro hacia usted (1). Desplace el portafiltro hacia abajo (2). (fig. 20)
- 3 Desmonte la cubierta frontal del portafiltro.
  - Todos los modelos excepto el HD7566, HD7564: Quite la cubierta frontal del portafiltro (fig. 21).
  - HD7566, HD7564: Apriete las pestañas de la parte inferior del portafiltro (1) y quite la cubierta frontal (2) (fig. 22).
- 4 Limpie la cubierta frontal.
  - Todos los modelos excepto el HD7566, HD7564: Lave la cubierta frontal de plástico con agua caliente y un poco de detergente líquido o en el lavavajillas.
  - HD7566, HD7564: Limpie la cubierta frontal metálica con un paño húmedo.

### **Advertencia:**

No lave la cubierta metálica del portafiltro en el lavavajillas.

- 5 Lave el portafiltro con agua caliente y un poco de detergente líquido o en el lavavajillas.
- 6 Después de lavarla, vuelva a colocar la cubierta frontal en el portafiltro.
  - Todos los modelos excepto el HD7566, HD7564: Vuelva a encajar la cubierta frontal en el portafiltro.
  - HD7566, HD7564: Coloque las pestañas en las aberturas (1) y deslice la cubierta metálica hacia arriba todo lo que pueda (2) (fig. 23).
- 7 Coloque de nuevo el portafiltro en el aparato (oírás un clic).

---

### 6.2 Jarra de cristal

- 1 HD7567/HD7562: Abra el cierre de sujeción metálico para soltar la base protectora (fig. 24).
- 2 Abra la tapa de la jarra. Inclínala ligeramente hacia la izquierda o hacia la derecha (1) y luego quítela de la jarra (2). (fig. 25)
- 3 Lave la jarra, la base protectora (sólo modelos HD7567/HD7562) y la tapa de la jarra con agua caliente y un poco de detergente líquido o en el lavavajillas.
- 4 Después de lavarla, aclare la jarra de cristal con agua caliente.
- 5 Antes de volver a colocar la tapa de la jarra, asegúrese de que nada obstruye el tubo para mezclar.



---

## 7 Eliminación de los depósitos de cal

Si elimina los depósitos de cal con regularidad, prolongará la vida del aparato y garantizará resultados óptimos durante mucho tiempo. En caso de un uso normal (dos jarras de café llenas al día), se recomienda la siguiente frecuencia de eliminación de los depósitos de cal:

- 2 ó 3 veces al año si utiliza agua blanda (hasta 18 dH).
- 4 ó 5 veces al año si utiliza agua dura (más de 18 dH).

Consulte a la compañía suministradora de agua para obtener información acerca de la dureza del agua en su zona.

- HD7567: La palabra CALC aparece en la pantalla cuando es necesario eliminar la cal del aparato (fig. 26).

Para eliminar la cal del aparato, realice los siguientes pasos:

- 1 Llene el depósito de agua hasta la mitad con agua y un agente desincrustante líquido, siguiendo las instrucciones indicadas en su embalaje.

### Consejo:

También puede utilizar vinagre blanco (4% de ácido acético).

### Advertencia:

No utilice un desincrustante en polvo.

### Advertencia:

No ponga un filtro ni café molido en el portafiltro.

- 2 Deje que el aparato complete dos ciclos de preparación de café. Consulte el capítulo "Uso del aparato". Deje que el aparato se enfríe durante 3 minutos antes de empezar el segundo ciclo.
- 3 Deje que el aparato complete otros dos ciclos con agua fría para eliminar todos los restos de desincrustante y de cal.
- 4 Limpie la jarra y el portafiltro (consulte el capítulo "Limpieza").

---

## 8 Solicitud de accesorios

Si desea adquirir accesorios para este aparato, visite nuestra tienda en línea en [www.shop.philips.com/service](http://www.shop.philips.com/service). Si la tienda en línea no está disponible en su país, diríjase a su distribuidor Philips o a un centro de servicio Philips. Si tiene cualquier dificultad para obtener accesorios para su aparato, póngase en contacto con el Servicio de Atención al Cliente de Philips en su país. Encontrará los datos de contacto en el folleto de la Garantía Mundial.

---

## 9 Reciclaje

- Este símbolo en un producto significa que el producto cumple con la directiva europea 2012/19/UE. Infórmese acerca del sistema de reciclaje de productos eléctricos y electrónicos en su localidad. Siga la normativa local y no deseche el producto con la basura normal del hogar. La correcta eliminación de los productos antiguos ayuda a evitar consecuencias negativas para el medio ambiente y la salud humana (fig. 27).

---

## 10 Garantía y servicio

Si necesita información o si tiene algún problema, visite la página Web de Philips en [www.philips.com/support](http://www.philips.com/support), o póngase en contacto con el Servicio de Atención al Cliente de Philips en su país. Hallará el número de teléfono en el folleto de la garantía mundial. Si no hay Servicio de Atención al Cliente de Philips en su país, diríjase a su distribuidor local Philips.

---

# 11 Guía de resolución de problemas

En este capítulo se resumen los problemas más frecuentes que pueden surgir con el aparato. Si no puede resolver el problema con la siguiente información, visite **[www.philips.com/support](http://www.philips.com/support)** para consultar una lista de preguntas más frecuentes o póngase en contacto con el Servicio de Atención al Cliente en su país.

## **La preparación del café tarda más de lo normal.**

Es necesario eliminar la cal del aparato (consulte el capítulo "Eliminación de los depósitos de cal").

## **La cafetera se apaga antes de que se vacíe el depósito de agua.**

Es necesario eliminar la cal del aparato (consulte el capítulo "Eliminación de los depósitos de cal").

## **Cuando se quita la jarra del aparato mientras se está preparando el café, éste rebosa por el filtro.**

No quite la jarra durante más de 30 segundos para evitar que el café se derrame.

## **El café sale por el filtro, pero no cae bien en la jarra.**

Compruebe si el tubo para mezclar está obstruido.

---

# 1 Johdanto

Onnitellut ostoksestasi ja tervetuloa Philips-tuotteiden käyttäjäksi! Hyödynnä Philipsin tuki ja rekisteröi tuotteesi osoitteessa [www.philips.com/welcome](http://www.philips.com/welcome).

---

## 2 Tärkeää

Lue tämä käyttöopas huolellisesti ennen käyttöä ja säilytä se myöhempiä tarvetta varten.

### 2.0.1 Vaara

- Älä upota laitetta veteen tai muuhun nesteeseen.

### 2.0.2 Varoitus

- Tarkista, että laitteeseen merkitty käyttöjännite vastaa paikallista verkkojännitettä, ennen kuin liität laitteen pistorasiaan.
- Älä käytä laitetta, jos pistoke, johto tai itse laite on vaurioitunut.
- Jos virtajohto on vahingoittunut, se on oman turvallisuutesi vuoksi hyvä vaihdattaa Philipsin valtuuttamassa huoltoliikkeessä tai muulla ammattitaitoisella korjaajalla.
- Laitetta voivat käyttää yli 8-vuotiaat lapset ja henkilöt, joiden fyysinen tai henkinen toimintakyky on rajoittunut tai joilla ei ole kokemusta tai tietoa laitteen käytöstä, jos heitä on neuvottu laitteen turvallisesta käytöstä tai tarjolla on turvallisen käytön

edellyttämä valvonta ja jos he ymmärtävät laitteeseen liittyvät vaarat. Alle 8-vuotiaat eivät saa puhdistaa tai huoltaa laitetta ilman valvontaa.

- Lasten ei pidä leikkiä laitteella.
- Älä jätä virtajohtoa roikkumaan sen pöydän tai työtason reunan yli, jonka päällä laite on.

### 2.0.3 Varoitus

- Älä aseta laitetta kuumalle alustalle ja pidä huoli, ettei virtajohto kosketa mitään kuumaa pintaa.
- Irrota pistoke pistorasiasta ennen laitteen puhdistamista tai jos suodattamisen aikana on ilmennyt ongelmia.
- Laite on tarkoitettu käytettäväksi kotitalouksissa ja esimerkiksi henkilökuntaruokaloissa, toimistoissa ja muissa työ- ja asuinympäristöissä, kuten maatilamajoituksessa, aamiaismajoituksessa, hotelleissa ja motelleissa.

### 2.0.4 Sähkömagneettiset kentät (EMF)

Tämä Philips-laite vastaa kaikkia sähkömagneettisia kenttiä (EMF) koskevia standardeja ja säännöksiä.

## 3 Yleiskuvaus (Kuva 1)

- 1 Suodatinteline
- 2 Irrotettava etukansi
- 3 Vesisäiliön kansi
- 4 Vesisäiliö
- 5 Kahvinkeitin
- 6 Virtajohto
- 7 Virtakytkin ja virran merkkivalo (HD7564/HD7563/HD7562)
- 8 Suojareunus (HD7567/HD7562)
- 9 Kannu
- 10 Kannun kansi ja sekoitusputki
- 11 Virtapainike ja virran merkkivalo (HD7566/HD7565)
- 12 Näyttö, jossa ajastin, sekä virtapainike ja virran merkkivalo (HD7567)

## 4 Käyttöönoton valmistelu

- 1 Aseta laite viileälle, tasaiselle ja vakaalle alustalle.
- 2 Työnnä pistoke maadoitettuun pistorasiaan.
- 3 Työnnä ylimääräinen johto keittimen takaosassa olevaan aukkoon (Kuva 2).

### 4.1 Kellonajan asettaminen (vain mallissa HD7567)

- 1 Kun pistoke on kytketty pistorasiaan, näytössä näkyy teksti SET (Kuva 3).
- 2 Aseta oikea tunti painamalla H-painiketta yhden tai useamman kerran (Kuva 4).
  - **Näytössä näkyy asetettu tunti (esimerkiksi 7:00).**
- 3 Aseta minuutit painamalla M-painiketta yhden tai useamman kerran (Kuva 5).
  - **Näytössä näkyvät asetetut minuutit (esimerkiksi 7:20).**

## 5 Käyttö

### 5.1 Kahvin suodattaminen

- 1 Varmista, että pistoke on pistorasiassa.
- 2 Kaada vesisäiliöön tarvittava määrä raikasta kylmää vettä (Kuva 6).
  - Vasemmalla oleva asteikko vastaa suuria kuppeja (1,2 dl).
  - Oikealla oleva asteikko vastaa pieniä kuppeja (0,8 dl).
- 3 Avaa suodatinteline (Kuva 7).
- 4 Ota suodatinpaperi (koko 1x4 tai nro 4) ja taivuta reunat repeytymisen ja kasaanpainumisen välttämiseksi (Kuva 8).
- 5 Aseta suodatinpaperi suodatintelineeseen (Kuva 9).

#### **Huomautus:**

Joissakin malleissa on mukana kestosuodatin. Silloin ei tarvitse käyttää suodatinpaperia.

- 6 Mittaa kahvijauhe (suodatinjauhatus) suodattimeen (Kuva 10).
  - Suuret kupit: käytä kuppia kohti yksi kukkurainen mitallinen kahvijauhetta.
  - Pienet kupit: käytä kuppia kohti yksi tasamitallinen kahvijauhetta.
- 7 Sulje suodatinteline. (Kuva 11)
- 8 Aseta kannu lämpölevylle (Kuva 12).
- 9 Käynnistä laite.
  - HD7564/HD7563/HD7562: Paina virtakytkintä. Virran merkkivalo syttyy (Kuva 13).
  - HD7566/HD7565: Paina virtapainiketta. Virran merkkivalo syttyy (Kuva 14).
  - HD7567: Paina virtapainiketta. Virran merkkivalo syttyy.
- 10 Kun kaikki vesi on valunut suodattimen läpi, voit nostaa kannun pois laitteesta (Kuva 15).

### **Varoitus:**

Jos kannu poistetaan yli 30 sekunnin ajaksi, ennen kuin kaikki vesi on valunut suodattimen läpi, suodatin saattaa täyttyä ja valua yli.

- 11** Katkaise laitteesta virta käytön jälkeen painamalla virtapainiketta (HD7567/HD7566/HD7565) tai virtakytkintä (HD7564/HD7563/HD7562).  
HD7566/HD7565: Laitteen virta katkeaa automaattisesti 30 minuutin kuluttua.
- 12** Anna laitteen jäähtyä vähintään 3 minuuttia, ennen kuin valmistat lisää kahvia.

## 5.2 Ajastin (vain mallissa HD7567)

Ajastimen avulla voi asettaa ajan, jolloin kahvinkeitin valmistaa kahvia.

### **Huomautus:**

Jos haluat käyttää ajastintoimintoa, varmista, että kellonaika on asetettu oikein. Kellonajan voi asettaa vain, kun laitteesta on katkaistu virta (katso Kellonajan asettaminen (HD7567) luvussa Käyttöönotto).

### **Huomautus:**

Sähkökatkoksen jälkeen kellonaika ja ajastin täytyy asettaa uudelleen.

- 1** Paina ajastinpainiketta (Kuva 16).
- *Näytössä näkyy asetettu automaattikäynnistyksen aika, ja ajastimen oranssi merkkivalo syttyy.*

### **Varoitus:**

Kun ajastinpainiketta on painettu, näytössä näkyy jälleen normaali kellonaika, jos tuntipainiketta tai minuuttipainiketta ei ole painettu yli 5 sekuntiin. Jos normaali kellonaika näkyy, ajastin on asetettu.

- 2** Aseta tunnit painamalla H-painiketta yhden tai useamman kerran (Kuva 4).

- 3** Aseta minuutit painamalla M-painiketta yhden tai useamman kerran (Kuva 5).

- *Kun tuntipainikkeen tai minuuttipainikkeen painamisesta on kulunut 5 sekuntia, näytössä näkyy jälleen normaali kellonaika. Ajastimen keltainen merkkivalo syttyy merkiksi siitä, että ajastin on asetettu.*

- 4** Valmistele laite kahvin suodattamista varten noudattamalla kohdan Kahvin suodattaminen vaiheissa 1 - 8 annettuja ohjeita.

- 5** Laite alkaa suodattaa kahvia asetettuna aikana.

- *Ajastimen keltainen merkkivalo sammuu, ja punainen virran merkkivalo syttyy.*

### **Huomautus:**

Jos haluat tarkistaa, onko ajastin asetettu oikein, paina ajastinpainiketta.

### **Huomautus:**

Jos haluat ottaa ajastimen pois käytöstä, paina virtapainiketta.

## 5.3 Ominaisuudet

### 5.3.1 Tippalukko

- Tippalukko estää kahvin tippumisen suodattimesta lämpölevylle, kun kannu on nostetaan pois laitteesta suodattamisen aikana tai sen jälkeen.

### 5.3.2 Suojarengas (vain malleissa HD7567/HD7562)

- Kannussa on irrotettava suojarengas, joka suojaa kannua rikkoutumiselta (Kuva 17).

### 5.3.3 Aromipyörre

- Kannun kanteen kiinnitetty sekoitusputki saa kahvin kiertämään kannussa, jotta aromit jakautuvat täydellisesti (Kuva 18).

## 5.4 Kahvin kuumentaminen mikroaaltouunissa

Jos haluat kuumentaa kahvin, voit laittaa kannun mikroaaltouuniin myös suojarenuksen kanssa.

---

## 6 Puhdistaminen

### **Varoitus:**

Älä upota laitetta veteen.

### **Varoitus:**

Älä koskaan käytä laitteen puhdistamiseen hankaussieniä, hankaavia puhdistusaineita tai reaktiivisia nesteitä, kuten bensiiniä tai asetonia. Puhdista laite vain kostealla liinalla.

- 1 Anna laitteen jäähtyä ja irrota pistoke pistorasiasta.
- 2 Pyyhi laitteen ulkopuoli puhtaaksi kostealla liinalla.
- 3 Jos käytit keustosodatinta, tyhjennä se ja huuhtele se juoksevalla vedellä.

---

### 6.1 Suodatinteline

Suodatinteline on puhdistettava säännöllisesti, jotta siihen ei kerääny kahvijäämiä.

- 1 Irrota suodatintelineen alempi sarana nostamalla telinettä. (Kuva 19)
- 2 Kallista suodatintelineen alareunaa itseäsi kohti (1). Liikuta suodatintelinettä alaspäin (2). (Kuva 20)
- 3 Irrota suodatintelineen etukansi.
  - Kaikki mallit paitsi HD7566, HD7564: Vedä etukansi irti suodatintelineestä (Kuva 21).
  - HD7566, HD7564: Paina suodatintelineen pohjassa olevia tappeja (1) ja irrota etukansi (2) (Kuva 22).
- 4 Puhdista etukansi.
  - Kaikki mallit paitsi HD7566, HD7564: pese muovinen etukansi kuumalla vedellä ja astianpesuaineella tai astianpesukoneessa.
  - HD7566, HD7564: puhdista metallinen etukansi kostealla liinalla.

### **Varoitus:**

Älä pese metallista suodatintelineen kanta astianpesukoneessa.

- 5 Pese suodatinteline kuumalla astianpesuvedellä tai astianpesukoneessa.

- 6 Kiinnitä pesun jälkeen etukansi suodatintelineeseen.
  - Kaikki mallit paitsi HD7566, HD7564: Napsauta etukansi takaisin suodatintelineeseen.
  - HD7566, HD7564: Työnnä kielekkeet aukkoihin (1) ja työnnä sitten metallista kantta ylös niin pitkälle kuin se menee (2) (Kuva 23).
- 7 Aseta suodatinteline takaisin laitteeseen.

---

### 6.2 Lasikannu

- 1 HD7567/HD7562: Irrota suojaareunus kääntämällä metallinen kiinnike auki ja vetämällä se alas (Kuva 24).
- 2 Avaa kannun kansi. Kallista kantta hieman vasemmalle tai oikealle (1) ja vedä se irti kannusta (2). (Kuva 25)
- 3 Pese kannu, suojaareunus (vain malleissa HD7567/HD7562) ja kannun kansi kuumalla vedellä ja astianpesuaineella tai astianpesukoneessa.
- 4 Huuhtele lasikannu pesun jälkeen puhtaalla, kuumalla vedellä.
- 5 Varmista, että sekoitusputki ei ole tukossa, ennen kuin kiinnität kannen kannuun.

---

## 7 Kalkinpoisto

Säännöllinen kalkinpoisto pidentää laitteen käyttöikää ja takaa mahdollisimman hyvän suodatustuloksen pitkäksi aikaa.

Normaalissa käytössä (kaksi täyttä kannullista kahvia päivässä) suosittelemme seuraavaa kalkinpoistotiheyttä:

- 2 tai 3 kertaa vuodessa, jos käytetty vesi on pehmeää (enintään 18 dH);
- 4 tai 5 kertaa vuodessa, jos käytetty vesi on kovaa (yli 18 dH).

Selvitä paikallisen veden kovuus tarvittaessa vesilaitokselta.

- HD7567: näytössä näkyy teksti CALC, kun kalkki täytyy poistaa (Kuva 26).

Poista laitteesta kalkki noudattamalla seuraavia ohjeita:

- 1 Täytä vesisäiliö puolilleen vedellä ja nestemäisellä kalkinpoistoaineella pakkauksen ohjeiden mukaisesti.

**\* Vinkki:**

Voit käyttää myös ruokaetikkaa (4 % etikkaa).

**⚠ Varoitus:**

Älä käytä jauhemaista kalkinpoistoainetta.

**⚠ Varoitus:**

Älä laita sisäsuodatinta ja kahvijauhetta suodatintelineeseen.

- 2 Suodata liuos läpi kahteen kertaan. Katso kohtaa Käyttö. Anna laitteen jäähtyä 3 minuutin ajan, ennen kuin suodatat uuden kannullisen.
- 3 Suodata laitteessa kaksi säiliöllistä pelkkää vettä, jotta kalkinpoistoaineen ja kalkin jäänteet huuhtoutuvat pois.
- 4 Pese kannu ja suodatin (katso kohtaa Puhdistus).

---

## 8 Tarvikkeiden tilaaminen

Voit ostaa laitteen lisäosia osoitteesta [www.shop.philips.com/service](http://www.shop.philips.com/service). Jos verkkokauppa ei ole saatavilla maassasi, ota yhteys Philips-jälleenmyyjään tai Philipsin valtuuttamaan huoltoliikkeeseen. Jos lisäosien ostamisessa on hankaluuksia, ota yhteys Philipsin maakohtaiseen asiakaspalveluun. Yhteystiedot ovat kansainvälisessä takuulehtisessä.

---

## 9 Kierrätys

- Tämä kuvake osoittaa, että tuote kuuluu Euroopan parlamentin ja neuvoston direktiivin 2012/19/EU soveltamisalaan. Ota selvää sähkölaitteille ja elektronisille laitteille tarkoitetusta kierrätysjärjestelmästä alueellasi. Noudata paikallisia sääntöjä äläkä hävitä tuotetta tavallisen talousjätteen mukana. Vanhojen tuotteiden asianmukainen hävittäminen auttaa ehkäisemään ympäristölle ja ihmisille koituvia haittavaikutuksia (Kuva 27).

---

## 10 Takuu ja huolto

Jos haluat lisätietoja tai laitteen kanssa ilmenee ongelmia, tutustu Philipsin sivustoon osoitteessa [www.philips.com/support](http://www.philips.com/support) tai kysy neuvoa Philipsin maakohtaisesta asiakaspalvelusta. Puhelinnumero on kansainvälisessä takuulehtisessä. Jos maassasi ei ole asiakaspalvelua, ota yhteys Philipsin jälleenmyyjään.

---

# 11 Vianmääritys

Tähän osaan on koottu tavallisimmat laitteen käytössä ilmenevät ongelmat. Ellet löydä ongelmaasi ratkaisua seuraavista tiedoista, lue osoitteesta [www.philips.com/support](http://www.philips.com/support) vastauksia usein kysytyihin kysymyksiin tai ota yhteys maasi asiakaspalveluun.

## **Kahvin suodattaminen kestää tavallista pidempään.**

Laitteesta on poistettava kalkki (katso kohta Kalkinpoisto).

## **Virta katkeaa kahvinkeitimestä, ennen kuin vesisäiliö on tyhjä.**

Laitteesta on poistettava kalkki (katso kohta Kalkinpoisto).

## **Kahvi valuu suodattimesta yli, kun kannu poistetaan laitteesta suodatuksen aikana.**

Kannun voi poistaa laitteesta suodatuksen aikana enintään 30 sekunniksi, jotta kahvi ei valu yli suodattimesta.

## **Kahvi valuu suodattimesta mutta ei valu kannuun kunnolla tai ei ollenkaan.**

Tarkista, onko sekoitusputki tukossa.



---

# 1 Introduction

Félicitations pour votre achat et bienvenue dans l'univers Philips ! Pour profiter pleinement de l'assistance Philips, enregistrez votre produit sur le site à l'adresse suivante : [www.philips.com/welcome](http://www.philips.com/welcome).

---

## 2 Important

Lisez attentivement ce mode d'emploi avant d'utiliser l'appareil et conservez-le pour un usage ultérieur.

### 2.0.1 Danger

- Ne plongez jamais l'appareil dans l'eau ou dans tout autre liquide.

### 2.0.2 Avertissement

- Avant de brancher l'appareil, vérifiez que la tension indiquée sur l'appareil correspond à la tension supportée par le secteur local.
- N'utilisez jamais l'appareil si la prise, le cordon d'alimentation ou l'appareil lui-même est endommagé.
- Si le cordon d'alimentation est endommagé, il doit être remplacé par Philips, par un Centre Service Agréé Philips ou par un technicien qualifié afin d'éviter tout accident.
- Cet appareil peut être utilisé par des enfants âgés de 8 ans ou plus, des personnes dont les capacités physiques, sensorielles ou intellectuelles sont réduites ou des personnes manquant d'expérience et de connaissances, à condition que ces enfants ou personnes

soient sous surveillance ou qu'ils aient reçu des instructions quant à l'utilisation sécurisée de l'appareil et qu'ils aient pris connaissance des dangers encourus. Le nettoyage et l'entretien ne doivent pas être réalisés par des enfants sauf s'ils sont âgés de plus de 8 ans et sous surveillance. Tenez l'appareil et son cordon hors de portée des enfants de moins de 8 ans.

- Les enfants ne doivent pas jouer avec l'appareil.
- Ne laissez pas le cordon pendre de la table ou du plan de travail sur lequel l'appareil est posé.

### 2.0.3 Attention

- Ne posez jamais l'appareil sur une surface chaude et veillez à ce que le cordon d'alimentation ne soit pas en contact avec des surfaces chaudes.
- Débranchez toujours l'appareil en cas de problème lors de la préparation du café et avant de le nettoyer.
- Cet appareil est destiné à un usage domestique et dans des environnements similaires tels que les fermes, les chambres d'hôtes, les cuisines destinées aux employés dans les entreprises, magasins et autres environnements de travail, les clients dans des hôtels, motels et autres environnements résidentiels.

### 2.0.4 Champs électromagnétiques (CEM)

Cet appareil Philips est conforme à toutes les normes et à tous les règlements applicables relatifs à l'exposition aux champs électromagnétiques.

---

## 3 Description générale (fig. 1)

- 1 Porte-filtre
- 2 Couvercle détachable
- 3 Couvercle du réservoir d'eau
- 4 Réservoir d'eau
- 5 Cafetière
- 6 Cordon d'alimentation
- 7 Interrupteur marche/arrêt avec voyant d'alimentation (HD7564/HD7563/HD7562)
- 8 Collier antichoc (HD7567/HD7562)
- 9 Verseuse
- 10 Couvercle de la verseuse avec buse
- 11 Bouton marche/arrêt avec voyant d'alimentation (HD7566/HD7565)
- 12 Afficheur avec minuteur et bouton marche/arrêt avec voyant d'alimentation (HD7567)

---

## 4 Avant utilisation

- 1 Placez l'appareil sur une surface stable et plane.
- 2 Branchez la fiche sur une prise murale avec mise à la terre.
- 3 Ajustez la longueur du cordon en le rentrant dans l'orifice situé à l'arrière de la cafetière (fig. 2).

---

### 4.1 Réglage de l'heure (HD7567 uniquement)

- 1 Lorsque vous branchez le cordon d'alimentation sur la prise murale, le mot SET apparaît sur l'afficheur (fig. 3).
- 2 Appuyez une ou plusieurs fois sur le bouton H pour régler l'heure (fig. 4).
  - *L'heure apparaît sur l'afficheur (par exemple 7:00).*
- 3 Appuyez une ou plusieurs fois sur le bouton M pour régler les minutes (fig. 5).
  - *Les minutes apparaissent sur l'afficheur (par exemple 7:20).*

---

## 5 Utilisation de l'appareil

---

### 5.1 Pour faire du café

- 1 Assurez-vous que le cordon d'alimentation est branché sur la prise murale.
- 2 Remplissez le réservoir d'eau froide (fig. 6).
  - Les indications de niveau à gauche correspondent à des grandes tasses (120 ml).
  - Les indications de niveau à droite correspondent à des petites tasses (80 ml).
- 3 Ouvrez le porte-filtre (fig. 7).
- 4 Prenez un filtre en papier (type 1x4 ou n° 4) et rabattez les bords du filtre pour éviter de le déchirer ou de le plier (fig. 8).
- 5 Placez le filtre dans le porte-filtre (fig. 9).

#### Remarque :

Certains modèles de cafetière sont équipés d'un filtre permanent. Dans ce cas, il n'est pas nécessaire d'utiliser des filtres en papier.

- 6 Placez du café moulu (pour filtre) dans le filtre (fig. 10).
  - Grandes tasses : comptez une grosse cuillère par tasse.
  - Petites tasses : comptez une cuillère rase par tasse.
- 7 Fermez le porte-filtre. (fig. 11)
- 8 Placez la verseuse sur la plaque chauffante (fig. 12).
- 9 Allumez l'appareil.
  - HD7564/HD7563/HD7562 : appuyez sur l'interrupteur marche/arrêt. Le voyant d'alimentation s'allume (fig. 13).
  - HD7566/HD7565 : appuyez sur le bouton marche/arrêt. Le voyant d'alimentation s'allume (fig. 14).
  - HD7567 : appuyez sur le bouton marche/arrêt. Le voyant d'alimentation s'allume.
- 10 Lorsque toute l'eau s'est écoulée par le filtre, vous pouvez retirer la verseuse (fig. 15).

### **Avertissement :**

Si vous retirez la verseuse plus de 30 secondes avant que toute l'eau se soit écoulée par le filtre, celui-ci risque de déborder.

- 1 Appuyez sur le bouton marche/arrêt (HD7567/HD7566/HD7565) ou sur l'interrupteur marche/arrêt (HD7564/HD7563/HD7562) pour mettre l'appareil hors tension après utilisation.  
HD7566/HD7565 : l'appareil s'éteint automatiquement au bout de 30 minutes.
- 2 Laissez l'appareil refroidir pendant au moins 3 minutes avant de refaire du café.

## 5.2 Minuteur (HD7567 uniquement)

Le minuteur de la cafetière permet de programmer le moment auquel vous souhaitez que le café soit préparé.

### **Remarque :**

si vous souhaitez utiliser la fonction minuteur, assurez-vous que l'horloge indique la bonne heure. Vous ne pouvez régler l'heure que lorsque l'appareil est éteint (voir la section « Réglage de l'heure (HD7567) » du chapitre « Avant utilisation »).

### **Remarque :**

en cas de panne de courant, vous devrez de nouveau régler l'heure et le minuteur.

- 1 Appuyez sur le bouton du minuteur (fig. 16).
  - *L'heure de mise en route automatique programmée apparaît sur l'afficheur et le voyant orange du minuteur s'allume.*

### **Avertissement :**

Après l'appui sur le bouton du minuteur, l'heure normale réapparaît si vous arrêtez d'appuyer sur le bouton des heures ou des minutes pendant plus de 5 secondes. À ce moment, le minuteur est programmé.

- 2 Appuyez une ou plusieurs fois sur le bouton H pour régler l'heure (fig. 4).

- 3 Appuyez une ou plusieurs fois sur le bouton M pour régler les minutes (fig. 5).
  - *L'heure normale réapparaît si vous n'appuyez pas sur le bouton des heures ou des minutes pendant 5 secondes. Le voyant jaune du minuteur s'allume, ce qui indique que le minuteur est programmé.*
- 4 Préparez l'appareil pour le café en suivant les étapes 1 à 8 de la section « Préparation du café ».
- 5 L'appareil commence à préparer le café à l'heure programmée.
  - *Le voyant jaune du minuteur s'éteint tandis que le voyant d'alimentation rouge s'allume.*

### **Remarque :**

Si vous souhaitez vérifier l'heure de programmation, appuyez sur le bouton du minuteur.

### **Remarque :**

Pour désactiver le minuteur, appuyez sur le bouton marche/arrêt.

## 5.3 Caractéristiques

### 5.3.1 Système stop-goutte

- Le système anti-goutte empêche le café de s'écouler du filtre sur la plaque chauffante lorsque vous retirez la verseuse de l'appareil pendant ou après la préparation du café.

### 5.3.2 Collier antichoc (HD7567/HD7562 uniquement)

- La verseuse est équipée d'un collier antichoc amovible afin d'éviter qu'elle se brise (fig. 17).

### 5.3.3 Arôme intense

- Grâce à la buse fixée sur le couvercle de la verseuse, le café circule dans la verseuse, assurant ainsi une répartition homogène des arômes (fig. 18).

## 5.4 Réchauffage de café au micro-ondes

Pour réchauffer du café, vous pouvez mettre la verseuse dans le four à micro-ondes, et ce, même avec le collier antichoc.

---

## 6 Nettoyage

### **Avertissement :**

Ne plongez jamais l'appareil dans l'eau.

### **Avertissement :**

N'utilisez jamais de tampons à récurer, de produits abrasifs ou de détergents agressifs tels que de l'essence ou de l'acétone pour nettoyer l'appareil. Utilisez toujours un chiffon humide.

- 1 Laissez l'appareil refroidir, puis débranchez-le.
- 2 Nettoyez l'extérieur de l'appareil à l'aide d'un chiffon humide.
- 3 Si vous utilisez un filtre permanent, videz-le et rincez-le sous le robinet.

---

### 6.1 Porte-filtre

Nettoyez régulièrement le porte-filtre pour éviter l'accumulation de résidus de café.

- 1 Soulevez le porte-filtre pour détacher la charnière inférieure. (fig. 19)
- 2 Inclinez le bord inférieur du porte-filtre vers vous (1). Faites glisser le porte-filtre vers le bas (2). (fig. 20)
- 3 Détachez le couvercle du porte-filtre.
  - Tout type à l'exception du HD7566, HD7564 : retirez le couvercle du porte-filtre (fig. 21).
  - HD7566, HD7564 : pressez les pattes situées sous le porte-filtre (1), puis retirez le couvercle (2) (fig. 22).
- 4 Nettoyez le couvercle.
  - Tout type à l'exception du HD7566, HD7564 : nettoyez le couvercle en plastique à l'eau chaude savonneuse ou au lave-vaisselle.
  - HD7566, HD7564 : nettoyez le couvercle en métal avec un chiffon humide.

### **Avertissement :**

Ne nettoyez pas le couvercle en métal du porte-filtre au lave-vaisselle.

- 5 Nettoyez le porte-filtre à l'eau chaude savonneuse ou au lave-vaisselle.
- 6 Après le nettoyage, rattachez le couvercle au porte-filtre.
  - Tout type à l'exception du HD7566, HD7564 : fixez à nouveau le couvercle sur le porte-filtre.
  - HD7566, HD7564 : insérez les languettes de positionnement dans les fentes (1), puis faites glisser le couvercle en métal vers le haut au maximum (2) (fig. 23).
- 7 Remplacez le porte-filtre dans l'appareil.

---

### 6.2 Verseuse en verre

- 1 HD7567/HD7562 : Ouvrez et appuyez rapidement sur le crochet métallique vers le bas pour détacher le collier antichoc (fig. 24).
- 2 Ouvrez le couvercle de la verseuse. Inclinez délicatement le couvercle vers la gauche ou la droite (1), puis retirez-le (2). (fig. 25)
- 3 Nettoyez la verseuse, le collier antichoc (HD7567/HD7562 uniquement) et le couvercle à l'eau chaude légèrement savonneuse ou au lave-vaisselle.
- 4 Après avoir lavé la verseuse isotherme, rincez-la à l'eau chaude.
- 5 Assurez-vous que rien ne bloque la buse avant de remettre le couvercle sur la verseuse.

---

## 7 Détartrage

Un détartrage régulier prolonge la durée de vie de votre appareil et garantit des résultats optimaux à long terme.

En cas d'utilisation normale (deux verseuses pleines par jour), il est conseillé de détartrer votre cafetière comme suit :

- 2 ou 3 fois par an si l'eau de votre région est douce (jusqu'à 18 TH) ;
- 4 ou 5 fois par an si l'eau de votre région est dure (au-delà de 18 TH).

Pour connaître la dureté de l'eau dans votre région, renseignez-vous auprès des services de distribution des eaux de votre commune.

- HD7567 : le mot CALC apparaît sur l'afficheur lorsque l'appareil a besoin d'être détartré (fig. 26).

Pour détartrer l'appareil, procédez comme suit :

- 1 Remplissez à moitié le réservoir d'eau et de détartrant liquide conformément aux instructions figurant sur l'emballage.

**✳ Conseil :**

Vous pouvez également utiliser du vinaigre blanc (4 % d'acide acétique).

**⚠ Avertissement :**

N'utilisez pas de détartrant en poudre.

**⚠ Avertissement :**

Ne placez pas de filtre ni de café dans le porte-filtre.

- 2 Faites passer le vinaigre en effectuant un cycle de préparation, puis répétez l'opération. Reportez-vous au chapitre « Utilisation de l'appareil ». Laissez l'appareil refroidir 3 minutes avant de procéder au deuxième cycle.
- 3 Ensuite, faites fonctionner l'appareil deux fois avec de l'eau froide afin d'éliminer le détartrant et tous les résidus de calcaire.
- 4 Nettoyez la verseuse et le porte-filtre (voir le chapitre « Nettoyage »).

---

## 8 Commande d'accessoires

Pour acheter des accessoires pour cet appareil, rendez-vous sur notre boutique en ligne à l'adresse **[www.shop.philips.com/service](http://www.shop.philips.com/service)**.

Si la boutique en ligne n'est pas disponible dans votre pays, contactez votre revendeur Philips ou un Centre Service Agréé Philips. Si vous rencontrez des problèmes pour vous procurer des accessoires pour votre appareil, contactez le Service Consommateurs Philips de votre pays. Vous en trouverez les coordonnées dans le dépliant de garantie internationale.

---

## 9 Recyclage

- La présence de ce symbole sur un produit indique que ce dernier est conforme à la directive européenne 2012/19/UE. Renseignez-vous sur les dispositions en vigueur dans votre région concernant la collecte séparée des appareils électriques et électroniques. Respectez les réglementations locales et ne jetez pas le produit avec les ordures ménagères ordinaires. La mise au rebut correcte d'anciens produits permet de préserver l'environnement et la santé (fig. 27).

---

## 10 Garantie et service

Si vous souhaitez obtenir des informations supplémentaires, faire réparer l'appareil ou si vous rencontrez un problème, rendez-vous sur le site Web de Philips à l'adresse **[www.philips.com/support](http://www.philips.com/support)** ou contactez le Service Consommateurs Philips de votre pays. Vous trouverez le numéro de téléphone correspondant sur le dépliant de garantie internationale. S'il n'existe pas de Service Consommateurs Philips dans votre pays, renseignez-vous auprès de votre revendeur Philips local.

---

# 11 Dépannage

Cette rubrique présente les problèmes les plus courants que vous pouvez rencontrer avec votre appareil. Si vous ne parvenez pas à résoudre le problème à l'aide des informations ci-dessous, rendez-vous sur [www.philips.com/support](http://www.philips.com/support) pour consulter les questions fréquemment posées, ou contactez le Service Consommateurs de votre pays.

## **Le café passe trop lentement.**

L'appareil doit être détartré (voir le chapitre « Détartrage »).

## **La cafetière s'éteint avant que le réservoir d'eau soit vide.**

L'appareil doit être détartré (voir le chapitre « Détartrage »).

## **Le filtre déborde lorsque la verseuse est retirée de l'appareil pendant la préparation du café.**

Pour éviter que le filtre déborde, ne retirez pas la verseuse pendant plus de 30 secondes.

## **Après être passé dans le filtre, le café ne s'écoule pas correctement, voire pas du tout, dans la verseuse.**

Vérifiez que la buse n'est pas bloquée.

---

# 1 Introduzione

Congratulazioni per l'acquisto e benvenuti in Philips! Per trarre il massimo vantaggio dall'assistenza Philips, registrate il vostro prodotto su [www.philips.com/welcome](http://www.philips.com/welcome).

---

## 2 Importante

Prima di utilizzare l'apparecchio, leggete attentamente il presente manuale e conservatelo per eventuali riferimenti futuri.

### 2.0.1 Pericolo

- Non immergete mai l'apparecchio in acqua o in altri liquidi.

### 2.0.2 Avviso

- Prima di collegare l'apparecchio, verificate che la tensione riportata sulla spina corrisponda alla tensione disponibile.
- Non utilizzate l'apparecchio se la spina, il cavo di alimentazione o l'apparecchio stesso sono danneggiati.
- Nel caso in cui il cavo di alimentazione fosse danneggiato, dovrà essere sostituito presso i centri autorizzati Philips, i rivenditori specializzati oppure da personale debitamente qualificato, per evitare situazioni pericolose.
- Quest'apparecchio può essere usato da bambini a partire da 8 anni di età e da persone con capacità fisiche, sensoriali o mentali ridotte o prive di esperienza o conoscenze adatte a

condizione che tali persone abbiano ricevuto assistenza o formazione per utilizzare l'apparecchio in maniera sicura e capiscano i potenziali pericoli associati a tale uso. La manutenzione e la pulizia non devono essere eseguite da bambini se non di età superiore a 8 anni e in presenza di un adulto. Tenete l'apparecchio e il relativo cavo fuori dalla portata di bambini di età inferiore a 8 anni.

- Evitate che i bambini giochino con l'apparecchio.
- Assicuratevi che il cavo di alimentazione non penda dal bordo del tavolo o dal piano di lavoro su cui è posizionato l'apparecchio.

### 2.0.3 Attenzione

- Non appoggiate l'apparecchio su una superficie calda e fate in modo che il cavo di alimentazione non venga a contatto con superfici incandescenti.
- Scollegate l'apparecchio dalla presa di corrente se si verificano problemi durante l'uso e prima di pulirlo.
- Questo apparecchio è destinato esclusivamente ad un uso domestico e applicazioni simili, ad esempio aree ristoro per il personale di negozi, uffici e altri ambienti di lavoro, aziende agricole, servizi offerti ai clienti di alberghi, hotel e altri luoghi residenziali, bed and breakfast e ambienti analoghi.

### 2.0.4 Campi elettromagnetici (EMF)

Questo apparecchio Philips è conforme a tutti gli standard e alle norme relativi all'esposizione ai campi elettromagnetici.

---

## 3 Descrizione generale (fig. 1)

- 1 Portafiltro
- 2 Rivestimento anteriore estraibile
- 3 Coperchio del serbatoio dell'acqua
- 4 Serbatoio acqua
- 5 Macchina per caffè
- 6 Cavo di alimentazione
- 7 Interruttore on/off con spia di alimentazione (HD7564/HD7563/HD7562)
- 8 Protezione di appoggio (HD7567/HD7562)
- 9 Contenitore
- 10 Coperchio della caraffa con tubo per mescolare
- 11 Interruttore on/off con spia di alimentazione (HD7566/HD7565)
- 12 Display con timer e pulsante on/off spia di alimentazione (HD7567)

---

## 4 Predisposizione dell'apparecchio

- 1 Appoggiate l'apparecchio su una superficie piana e stabile.
- 2 Inserite la spina nella presa di corrente dotata di messa a terra.
- 3 Per riporre il cavo in eccesso, spingetelo all'interno dell'apertura sul retro della macchina per caffè (fig. 2).

---

### 4.1 Impostazione dell'orologio (solo HD7567)

- 1 Dopo aver collegato la spina alla presa di corrente, sul display appare la dicitura "SET" (Impostazione) (fig. 3).
- 2 Premete il pulsante "H" una o più volte per impostare l'ora (fig. 4).
  - *Sul display appare l'ora impostata (ad es. 7:00).*

- 3 Premete il pulsante "M" una o più volte per impostare i minuti (fig. 5).
  - *Sul display appaiono i minuti impostati (ad es. 7:20).*

---

## 5 Modalità d'uso dell'apparecchio

---

### 5.1 Preparazione del caffè

- 1 Controllate che la spina sia inserita nella presa.
- 2 Riempite il serbatoio con acqua fredda (fig. 6).
  - I livelli riportati sulla parte sinistra si riferiscono alle tazze grandi (120 ml).
  - I livelli riportati sulla destra si riferiscono alle tazze piccole (80 ml).
- 3 Aprite il portafiltro (fig. 7).
- 4 Prendete il filtro di carta (mod. 1x4 o n. 4) e piegate i bordi sigillati per evitare che si rompano e si pieghino (fig. 8).
- 5 Inserite il filtro nel portafiltro (fig. 9).

#### Nota:

alcuni modelli sono provvisti di un filtro permanente. In tal caso, non è necessario utilizzare un filtro di carta.

- 6 Riempite il filtro di caffè in grani (filtro macinatura fine) (fig. 10).
  - Per le tazze grandi: utilizzate un misurino colmo di caffè macinato per ogni tazza.
  - Per le tazze più piccole: utilizzate un misurino raso di caffè per ciascuna tazzina.
- 7 Chiudete il portafiltro. (fig. 11)
- 8 Mettete la caraffa sulla piastra (fig. 12).
- 9 Accendete l'apparecchio.
  - HD7564/HD7563/HD7562: premete l'interruttore on/off. La spia di alimentazione si accende (fig. 13).
  - HD7566/HD7565: premete il pulsante on/off. La spia di alimentazione si accende (fig. 14).
  - HD7567: premete l'interruttore on/off. La spia di alimentazione si accende.



- 10** Quando tutta l'acqua passa attraverso il filtro, potete togliere la caraffa dall'apparecchio (fig. 15).

**⚠ Avviso:**

se estraete la caraffa per più di 30 secondi prima che tutta l'acqua sia passata attraverso il filtro, l'acqua potrebbe fuoriuscire dal filtro.

- 11** Premete il pulsante on/off (HD7567/HD7566/HD7565) o l'interruttore on/off (HD7564/HD7563/HD7562) per spegnere l'apparecchio dopo l'uso.  
HD7566/HD7565: l'apparecchio si spegne automaticamente dopo 30 minuti.
- 12** Lasciate raffreddare l'apparecchio per almeno 3 minuti prima di preparare nuovamente il caffè.

## 5.2 Timer (solo HD7567)

Il timer vi consente di preimpostare l'orario in cui desiderate che la macchina prepari il caffè.

**ⓘ Nota:**

Per utilizzare il timer, accertatevi che l'orario sia impostato correttamente. Potete impostare l'orario solo quando l'apparecchio è spento (vedere la sezione "Impostazione dell'orologio (HD7567)" nel capitolo "Predisposizione dell'apparecchio").

**ⓘ Nota:**

In caso di mancanza di corrente, dovete reimpostare l'orologio e il timer:

- 1** Premete il pulsante del timer (fig. 16).
- *Sul display appare l'orario di accensione automatica e la spia arancione del timer si accende.*

**⚠ Avviso:**

dopo aver premuto il pulsante del timer, riappare l'orario corrente se non premete i pulsanti dell'ora o dei minuti per più di 5 secondi. Quando riappare l'orario corrente, il timer è impostato.

- 2** Premete il pulsante "H" una o più volte per impostare l'ora (fig. 4).

- 3** Premete il pulsante "M" una o più volte per impostare i minuti (fig. 5).
- *Se non premete i pulsanti dell'ora o dei minuti per più di 5 secondi, riappare l'orario corrente. La spia gialla del timer si accende a indicare che il timer è impostato.*

- 4** Eseguite le operazioni descritte nei punti da 1 a 8 della sezione "Preparazione del caffè" per predisporre l'apparecchio.

- 5** L'apparecchio inizia a preparare il caffè all'orario preimpostato.
- *La spia gialla del timer si spegne e quella rossa di accensione si accende.*

**ⓘ Nota:**

Per verificare di aver impostato correttamente il timer, premete il pulsante del timer:

**ⓘ Nota:**

Se desiderate disattivare il timer, premete il pulsante on/off.

## 5.3 Caratteristiche

### 5.3.1 Sistema antigoccia

- Il sistema antigoccia previene la fuoriuscita di caffè dal filtro alla piastra quando togliete la caraffa dall'apparecchio durante o dopo la preparazione del caffè.

### 5.3.2 Protezione di appoggio (solo HD7567/HD7562).

- La caraffa è dotata di una protezione di appoggio per evitare che si rompa (fig. 17).

### 5.3.3 Diffusione aroma

- Un tubo per mescolare, collegato al coperchio della caraffa, permette al caffè di circolare all'interno della caraffa stessa per una distribuzione ottimale dell'aroma (fig. 18).

## 5.4 Come riscaldare il caffè nel forno a microonde

Se volete riscaldare il caffè, potete mettere la caraffa direttamente nel microonde, anche con la protezione di appoggio inserita.

---

## 6 Pulizia

### **Avviso:**

Non immergete mai l'apparecchio nell'acqua.

### **Avviso:**

Per pulire l'apparecchio non usate prodotti o sostanze abrasive o detersivi aggressivi, come benzina o acetone, ma solo un panno umido.

- 1 Lasciate raffreddare l'apparecchio e scollegatelo.
- 2 Usate un panno umido per pulire la parte esterna dell'apparecchio.
- 3 Se avete utilizzato un filtro permanente, svuotatelo e sciacquatelo sotto l'acqua corrente.

---

### 6.1 Portafiltro

Il portafiltro deve essere pulito regolarmente per evitare l'accumulo di residui di caffè.

- 1 Alzate il portafiltro per sbloccare la cerniera. (fig. 19)
- 2 Inclinate la base del portafiltro verso di voi (1). Spingete il portafiltro verso il basso (2). (fig. 20)
- 3 Staccate la parte anteriore del portafiltro.
  - Tutti i modelli ad eccezione di HD7566, HD7564: staccate il rivestimento anteriore dal portafiltro (fig. 21).
  - HD7566, HD7564: spingete i perni sulla base del portafiltro (1) e rimuovete il rivestimento anteriore (2) (fig. 22).
- 4 Pulite il rivestimento anteriore.
  - Tutti i modelli ad eccezione di HD7566, HD7564: pulite il rivestimento anteriore in plastica con acqua calda e un po' di detersivo per piatti o in lavastoviglie.
  - HD7566, HD7564: pulite il rivestimento anteriore in metallo con un panno umido.

### **Avviso:**

Non pulite il rivestimento in metallo del portafiltro in lavastoviglie.

- 5 Lavate il portafiltro con acqua calda e detersivo liquido o in lavastoviglie.
- 6 Dopo la pulizia, riposizionate il rivestimento anteriore sul portafiltro.
  - Tutti i modelli ad eccezione di HD7566, HD7564: fate scattare in posizione il rivestimento anteriore sul portafiltro.
  - HD7566, HD7564: fate scorrere le guide di posizione tra le aperture (1) quindi fate scorrere il rivestimento in metallo verso l'alto fino a che non si blocca (2) (fig. 23).
- 7 Reinserite il supporto del filtro nell'apparecchio.

---

### 6.2 Caraffa di vetro

- 1 HD7567/HD7562: aprite e spingete verso il basso il blocco in metallo per staccare la protezione di appoggio (fig. 24).
- 2 Aprite il coperchio della caraffa. Inclinatelo verso sinistra o verso destra (1), quindi estraetelo dalla caraffa (2). (fig. 25)
- 3 Pulite la caraffa, la protezione di appoggio (solo HD7567/HD7562) e il coperchio della caraffa con acqua calda e un po' di detersivo liquido o nella lavastoviglie.
- 4 Dopo la pulizia, sciacquate la caraffa di vetro con acqua calda pulita.
- 5 Assicuratevi che il tubo per mescolare non sia ostruito prima di reinserire il coperchio sulla caraffa.

---

## 7 Rimozione del calcare

Se effettuata con regolarità, la disincrostazione prolunga la durata dell'apparecchio e assicura una preparazione del caffè ottimale per un lungo periodo.

In caso di utilizzo normale (due caraffe piene al giorno), si consiglia di seguire il seguente programma di pulizia anticalcare:

- 2 o 3 volte all'anno se usate acqua dolce (fino a 18 DH);
- 4 o 5 volte all'anno se usate acqua dura (oltre 18 DH).

Per informazioni sulla durezza dell'acqua della vostra zona, contattate l'ente di erogazione idrica.

- HD7567: sul display appare la dicitura "CALC" quando è necessario eseguire la pulizia dal calcare (fig. 26).

Per disincrostare l'apparecchio, eseguite le operazioni seguenti:

- 1 Riempite a metà il serbatoio con acqua e anticalcare liquido seguendo le istruzioni riportate sulla confezione dell'anticalcare.

### **Consiglio:**

È anche possibile utilizzare aceto bianco (4% di acido acetico).

### **Avviso:**

**Non utilizzate prodotti anticalcare in polvere.**

### **Avviso:**

**Non inserite un filtro e caffè in polvere nel portafiltro.**

- 2 Fate compiere all'apparecchio due cicli completi.  
Consultate il capitolo "Modalità d'uso dell'apparecchio". Lasciate raffreddare l'apparecchio per 3 minuti prima di avviare il secondo ciclo.

- 3 Fate compiere all'apparecchio altri due cicli completi con l'aggiunta di acqua fredda e pulita, per eliminare i residui di anticalcare e qualsiasi traccia di calcare.

- 4 Pulite la caraffa e il portafiltro (vedere il capitolo "Pulizia").

---

## 8 Ordinazione degli accessori

Per acquistare accessori per questo apparecchio, visitate il nostro Online Shop all'indirizzo **[www.shop.philips.com/service](http://www.shop.philips.com/service)**. Se l'Online Shop non è disponibile nel vostro paese, rivolgetevi al vostro rivenditore Philips o a un centro assistenza Philips. Se avete difficoltà nel reperire gli accessori per il vostro apparecchio, contattate un centro assistenza clienti Philips del vostro paese. I dettagli di contatto si trovano nel volantino della garanzia internazionale.

---

## 9 Riciclaggio

- Questo simbolo indica che il prodotto non può essere smaltito con i normali rifiuti domestici (2012/19/UE).
- Ci sono due situazioni in cui potete restituire gratuitamente il prodotto vecchio a un rivenditore:
  - 1 Quando acquistate un prodotto nuovo, potete restituire un prodotto simile al rivenditore.
  - 2 Se non acquistate un prodotto nuovo, potete restituire prodotti con dimensioni inferiori a 25 cm (lunghezza, altezza e larghezza) ai rivenditori con superficie dedicata alla vendita di prodotti elettrici ed elettronici superiore ai 400 m<sup>2</sup>.
- In tutti gli altri casi, attenetevi alle normative di raccolta differenziata dei prodotti elettrici ed elettronici in vigore nel vostro paese: un corretto smaltimento consente di evitare conseguenze negative per l'ambiente e per la salute (fig. 27).

---

## 10 Garanzia e assistenza

Per assistenza, informazioni o in caso di problemi, visitate il sito Web di Philips [www.philips.com/support](http://www.philips.com/support) oppure contattate il centro assistenza clienti Philips del vostro paese. Per conoscere il numero di telefono, consultate l'opuscolo della garanzia internazionale. Se nel vostro paese non esiste un centro assistenza clienti, rivolgetevi al vostro rivenditore Philips.

**Il filtro trabocca quando la caraffa viene rimossa dall'apparecchio durante la preparazione del caffè.**  
Per evitare fuoriuscite dal filtro, non rimuovere la caraffa per più di 30 secondi durante la preparazione.

**Il caffè esce dal filtro ma entra con difficoltà, o non entra affatto, nella caraffa.**

Verificare che il tubo per mescolare non sia bloccato.

---

## 11 Risoluzione dei problemi

Questo capitolo riassume i problemi più comuni che potreste riscontrare con l'apparecchio. Se non riuscite a risolvere il problema con le informazioni riportate sotto, visitate il sito [www.philips.com/support](http://www.philips.com/support) per un elenco di domande frequenti o contattate il centro assistenza clienti del vostro paese.

**La preparazione del caffè richiede più tempo del solito.**

L'apparecchio deve essere disincrostatato (vedere il capitolo "Decalcificazione").

**La macchina per caffè si spegne prima che il serbatoio dell'acqua sia vuoto.**

L'apparecchio deve essere disincrostatato (vedere il capitolo "Decalcificazione").

# 1 Introductie

Gefeliciteerd met uw aankoop en welkom bij Philips! Als u volledig wilt profiteren van de ondersteuning die Philips biedt, registreer uw product dan op [www.philips.com/welcome](http://www.philips.com/welcome).

## 2 Belangrijk

Lees deze gebruiksaanwijzing zorgvuldig door voordat u het apparaat gaat gebruiken. Bewaar de gebruiksaanwijzing om deze zo nodig later te kunnen raadplegen.

### 2.0.1 Gevaar

- Dompel het apparaat nooit in water of een andere vloeistof.

### 2.0.2 Waarschuwing

- Controleer of het voltage dat wordt aangegeven op het apparaat, overeenkomt met de plaatselijke netspanning voordat u het apparaat aansluit.
- Gebruik het apparaat niet indien de stekker, het netsnoer of het apparaat zelf beschadigd is.
- Indien het netsnoer beschadigd is, moet u het laten vervangen door Philips, een door Philips geautoriseerd servicecentrum of personen met vergelijkbare kwalificaties om gevaar te voorkomen.
- Dit apparaat kan worden gebruikt door kinderen vanaf 8 jaar en door personen met verminderde lichamelijke, zintuiglijke of geestelijke

capaciteiten of weinig ervaring en kennis, mits zij toezicht of instructie hebben ontvangen aangaande veilig gebruik van het apparaat, en zij de gevaren van het gebruik begrijpen. Reiniging en onderhoud mogen alleen door kinderen worden uitgevoerd die ouder zijn dan 8 en alleen onder toezicht. Houd het apparaat en het snoer buiten bereik van kinderen die jonger zijn dan 8 jaar oud.

- Kinderen mogen niet met het apparaat spelen.
- Laat het snoer niet over de rand van de tafel of het aanrecht hangen waarop het apparaat staat.

### 2.0.3 Let op

- Plaats het apparaat niet op een heet oppervlak en voorkom dat het netsnoer in contact komt met hete oppervlakken.
- Haal de stekker van het apparaat uit het stopcontact als er tijdens het koffiezetten problemen optreden en voordat u het apparaat gaat schoonmaken.
- Dit apparaat is bedoeld voor huishoudelijk en soortgelijk gebruik zoals: in boerderijen; in Bed & Breakfast-achtige omgevingen; in keukens (voor personeel) in winkels, kantoren en andere werkomgevingen; door gasten in hotels, motels en andere verblijfsaccommodaties.

#### 2.0.4 Elektromagnetische velden (EMV)

Dit Philips-apparaat voldoet aan alle toepasbare richtlijnen en voorschriften met betrekking tot blootstelling aan elektromagnetische velden.

---

## 3 Algemene beschrijving (fig. 1)

- 1 Filterhouder
- 2 Afneembaar afdekscherm
- 3 Deksel van waterreservoir
- 4 Waterreservoir
- 5 Koffiezetapparaat
- 6 Netsnoer
- 7 Aan/uitkantelknop met aan-lampje (HD7564/HD7563/HD7562)
- 8 Stootrand (HD7567/HD7562)
- 9 Kan
- 10 Kandeksel met mengpijpje
- 11 Aan/uitknop met aan-lampje (HD7566/HD7565)
- 12 Display met timer en aan/uitknop met aan-lampje (HD7567)

---

## 4 Klaarmaken voor gebruik

- 1 Plaats het apparaat op een vlakke en stabiele ondergrond.
- 2 Steek de stekker in een geaard stopcontact.
- 3 Overtollig snoer kunt u opbergen door het in de opening aan de achterzijde van de koffiezetter te duwen (fig. 2).

---

## 4.1 De kloktijd instellen (alleen HD7567)

- 1 Nadat u de stekker in het stopcontact hebt gestoken, verschijnt het woord 'SET' op het display (fig. 3).
- 2 Druk een of meerdere keren op de 'H'-knop om de uren in te stellen (fig. 4).
  - *Op het display worden de ingestelde uren weergegeven (bijv. 7:00).*
- 3 Druk een of meerdere keren op de 'M'-knop om de minuten in te stellen (fig. 5).
  - *Op het display worden de ingestelde minuten weergegeven (bijv. 7:20).*

---

## 5 Het apparaat gebruiken

---

### 5.1 Koffiezetten

- 1 Zorg ervoor dat de stekker in het stopcontact zit.
- 2 Vul het waterreservoir met vers, koud water (fig. 6).
  - De maatverdeling aan de linkerzijde is voor grote koppen (120 ml).
  - De maatverdeling aan de rechterzijde is voor kleine koppen (80 ml).
- 3 Open de filterhouder (fig. 7).
- 4 Neem een papieren filterzakje (type 1x4 of nr. 4) en vouw de randen naar binnen om scheuren en dichtklappen te voorkomen (fig. 8).
- 5 Plaats het filterzakje in de filterhouder (fig. 9).

#### **Opmerking:**

Bij sommige versies wordt een permanent filter geleverd. U hoeft dan geen papieren filterzakjes te gebruiken.

- 6 Schep gemalen koffie (snelfiltermaling) in het filter (fig. 10).
  - Voor grote koppen: gebruik een volle, onafgestreken maatlepel gemalen koffie per kop.
  - Voor kleine koppen: gebruik een afgestreken maatlepel gemalen koffie per kop.

- 7 Sluit de filterhouder. (fig. 11)
- 8 Plaats de kan op de warmhoudplaat (fig. 12).
- 9 Schakel het apparaat in.
  - HD7564/HD7563/HD7562: druk op de aan/uitkantelknop. Het aan-lampje gaat branden (fig. 13).
  - HD7566/HD7565: druk op de aan/uitknop. Het aan-lampje gaat branden (fig. 14).
  - HD7567: druk op de aan/uitknop. Het aan-lampje gaat branden.
- 10 Zodra al het water door het filter is gelopen, kunt u de kan uit het apparaat nemen (fig. 15).

#### **Waarschuwing:**

**Als u de kan langer dan 30 seconden verwijderd voordat al het water door het filter is gelopen, kan het filter overstromen.**

- 11 Druk op de aan/uitknop (HD7567/HD7566/HD7565) of de aan/uitkantelknop (HD7564/HD7563/HD7562) om het apparaat na gebruik uit te schakelen. HD7566/HD7565: het apparaat schakelt na 30 minuten automatisch uit.
- 12 Laat het apparaat ten minste 3 minuten afkoelen voordat u opnieuw koffie gaat zetten.

## 5.2 Timer (alleen HD7567)

U kunt de timer gebruiken om vooraf de tijd in te stellen waarop u wilt dat de koffiezetter koffie gaat zetten.

#### **Opmerking:**

Als u de timerfunctie wilt gebruiken, dient u eerst te controleren of de kloktijd juist is ingesteld. U kunt de huidige tijd alleen instellen als het apparaat is uitgeschakeld (zie 'De kloktijd instellen (HD7567)' in hoofdstuk 'Klaarmaken voor gebruik').

#### **Opmerking:**

Na een stroomstoring moet u de kloktijd en de timer opnieuw instellen.

- 1 Druk op de timerknop (fig. 16).
  - *Het display toont de ingestelde tijd waarop het apparaat automatisch wordt ingeschakeld. Het oranje timerlampje gaat branden.*

#### **Waarschuwing:**

**Na het indrukken van de timerknop wordt de normale tijd weer weergegeven zodra u de uur- of minutenknop meer dan 5 seconden niet indrukt. De timer is dan ingesteld.**

- 2 Druk een of meerdere keren op de 'H'-knop om de uren in te stellen (fig. 4).
- 3 Druk een of meerdere keren op de 'M'-knop om de minuten in te stellen (fig. 5).
  - *Als u de uur- of minutenknop meer dan 5 seconden niet meer hebt ingedrukt, wordt de normale tijd weer weergegeven. Het gele timerlampje gaat branden om aan te geven dat de timer is ingesteld.*
- 4 Volg stap 1 tot en met 8 van 'Koffiezetten' om het apparaat klaar te maken om koffie te zetten.
- 5 Het apparaat gaat koffiezetten op de ingestelde tijd.
  - *Het gele timerlampje gaat uit en het rode aan-lampje gaat branden.*

#### **Opmerking:**

U kunt controleren of u de timer juist hebt ingesteld door op de timerknop te drukken.

#### **Opmerking:**

Om de timer uit te schakelen, drukt u op de aan/uitknop.

## 5.3 Kenmerken

### 5.3.1 Druppelstop

- Het druppelstopstelsel voorkomt dat koffie door het filter op de warmhoudplaat druppelt wanneer u de kan na of tijdens het koffiezetten uit het apparaat neemt.

### 5.3.2 Beschermende stootrand (alleen HD7567/HD7562)

- De kan heeft een verwijderbare stootrand die helpt voorkomen dat de kan breekt (fig. 17).

### 5.3.3 Aromaverdeler

- Het mengpijpie dat is bevestigd aan het kandeksel, zorgt ervoor dat de koffie door de kan circuleert en dat het aroma optimaal wordt verdeeld (fig. 18).

---

## 5.4 Koffie opwarmen in de magnetron

Als u koffie wilt opwarmen in de magnetron, kunt u de kan in de magnetron plaatsen, zelfs met de stootrand erom.

---

# 6 Schoonmaken

### **Waarschuwing:**

Dompel het apparaat nooit in water.

### **Waarschuwing:**

Gebruik nooit schuurspontzen, schurende schoonmaakmiddelen of agressieve vloeistoffen zoals benzine of aceton om het apparaat schoon te maken. Gebruik uitsluitend een vochtige doek.

- 1 Laat het apparaat afkoelen en haal de stekker uit het stopcontact.
- 2 Maak de buitenkant van het apparaat schoon met een vochtige doek.
- 3 Gebruikt u een permanent filter; leeg dit dan en spoel het onder de kraan af.

---

## 6.1 Filterhouder

U dient de filterhouder regelmatig schoon te maken om een opeenhoping van koffieresten te voorkomen.

- 1 Til de filterhouder op om het onderste scharnier van de houder los te maken. (fig. 19)

- 2 Kantel de onderrand van de filterhouder naar u toe (1). Beweeg de filterhouder omlaag (2). (fig. 20)

- 3 Verwijder het afdekscherm van de filterhouder.

- Alle typen behalve HD7566, HD7564: trek het afdekscherm van de filterhouder af (fig. 21).
- HD7566, HD7564: druk de pinnen aan de onderzijde van de filterhouder samen (1) en verwijder het afdekscherm (2) (fig. 22).

- 4 Maak het afdekscherm schoon.

- Alle typen behalve HD7566, HD7564: maak het plastic afdekscherm schoon in warm water met een beetje afwasmiddel of in de vaatwasmachine.
- HD7566, HD7564: maak het metalen afdekscherm schoon met een vochtige doek.

### **Waarschuwing:**

Maak het metalen scherm van de filterhouder niet schoon in de vaatwasmachine.

- 5 Maak de filterhouder schoon in warm water met een beetje afwasmiddel of in de vaatwasmachine.

- 6 Bevestig het afdekscherm na het schoonmaken weer op de filterhouder:

- Alle typen behalve HD7566, HD7564: klik het afdekscherm weer op de filterhouder.
- HD7566, HD7564: schuif de positioneringsnokjes in de openingen (1) en schuif vervolgens het metalen afdekscherm zo ver mogelijk omhoog (2) (fig. 23).

- 7 Plaats de filterhouder terug in het apparaat.

---

## 6.2 Glazen kan

- 1 HD7567/HD7562: klap de metalen klem open en trek deze naar beneden om de stootrand te verwijderen (fig. 24).

- 2 Open het deksel van de kan. Kantel het deksel een beetje naar links of naar rechts (1) en trek het vervolgens van de kan af (2). (fig. 25)

- 3 Maak de kan, de stootrand (alleen HD7567/HD7562) en het kandeksel schoon in warm water met een beetje afwasmiddel of in de vaatwasmachine.



- 4 Spoel de glazen kan na het schoonmaken met vers, warm water.
- 5 Controleer of het mengpijpe niet door iets is verstopt voordat u het deksel weer op de kan bevestigt.

- 3 Laat het apparaat nog twee keer met schoon, koud water werken om alle ontkalker- en kalkresten weg te spoelen.
- 4 Maak de kan en de filterhouder schoon (zie hoofdstuk 'Schoonmaken').

## 7 Ontkalken

Regelmatig ontkalken verlengt de levensduur van het apparaat en garandeert langdurig een optimale werking van het apparaat.

Bij normaal gebruik (twee volle kannen koffie per dag) raden we u aan de volgende ontkalkingsfrequentie aan te houden:

- 2 of 3 keer per jaar als u zacht water gebruikt (tot 18 dH);
- 4 of 5 keer per jaar als u hard water gebruikt (meer dan 18 dH).

Neem contact op met uw waterleidingbedrijf voor informatie over de waterhardheid in uw woongebied.

- HD7567: het woord CALC verschijnt op het display wanneer u het apparaat moet ontkalken (fig. 26).

U kunt het apparaat als volgt ontkalken:

- 1 Vul het waterreservoir voor de helft met water en een vloeibare ontkalker volgens de aanwijzingen op de verpakking.

### \* Tip:

U kunt ook blanke azijn gebruiken (4% azijnzuur).

### ⚠ Waarschuwing:

Gebruik geen ontkalker op poederbasis.

### ⚠ Waarschuwing:

Plaats geen filter met gemalen koffie in de filterhouder.

- 2 Laat het apparaat twee keer werken. Zie hoofdstuk 'Het apparaat gebruiken'. Laat het apparaat 3 minuten afkoelen voordat u met de tweede koffiezetcyclus begint.

## 8 Accessoires bestellen

Ga naar onze Online Shop op [www.shop.philips.com/service](http://www.shop.philips.com/service) om accessoires voor dit apparaat te kopen. Ga naar uw Philips-dealer of een Philips-servicecentrum als de Online Shop niet beschikbaar is in uw land. Als u problemen hebt met het vinden van accessoires voor uw apparaat, neem dan contact op met het Philips Consumer Care Centre in uw land. U vindt de contactgegevens in het 'worldwide garantie'-vouwblad.

## 9 Recycling

- Dit symbool op een product betekent dat het product voldoet aan EU-richtlijn 2012/19/EG. Win inlichtingen in over de gescheiden inzameling van afval van elektrische en elektronische producten. Volg de lokale regels en gooi het product nooit weg bij het gewone huishoudelijke afval. Door u op de juiste manier van oude producten te ontdoen, voorkomt u negatieve gevolgen voor het milieu en de volksgezondheid (fig. 27).

---

## 10 Garantie en service

Als u service of informatie nodig hebt of als u een probleem ondervindt, bezoek dan de ondersteuningspagina op de Philips-website ([www.philips.com/support](http://www.philips.com/support)) of neem contact op met het Philips Consumer Care Centre in uw land. Het telefoonnummer vindt u in het 'worldwide guarantee'-vouwblad. Als er geen Consumer Care Centre in uw land is, ga dan naar uw plaatselijke Philips-dealer.

---

## 11 Problemen oplossen

Dit hoofdstuk behandelt in het kort de problemen die u kunt tegenkomen tijdens het gebruik van het apparaat. Als u het probleem niet kunt oplossen met de informatie hieronder, ga dan naar [www.philips.com/support](http://www.philips.com/support) voor een lijst met veelgestelde vragen of neem contact op met het Consumer Care Centre in uw land.

### **Koffiezetten duurt langer dan normaal.**

Het apparaat moet worden ontkalkt (zie hoofdstuk 'Ontkalken').

### **De koffiezetter schakelt uit voordat het waterreservoir leeg is.**

Het apparaat moet worden ontkalkt (zie hoofdstuk 'Ontkalken').

### **Het filter stroomt over wanneer de kan tijdens het koffiezetten uit het apparaat wordt genomen.**

Verwijder de kan tijdens het koffiezetten niet langer dan 30 seconden om te voorkomen dat het filter overstroomt.

### **De koffie stroomt uit het filter, maar stroomt niet goed of helemaal niet in de kan.**

Controleer of het mengpijpje verstopt is.

---

# 1 Innledning

Gratulerer med kjøpet og velkommen til Philips! Du får best mulig nytte av støtten som Philips tilbyr; hvis du registrerer produktet ditt på [www.philips.com/welcome](http://www.philips.com/welcome).

---

## 2 Viktig

Les denne brukerveiledningen nøye før du bruker apparatet, og ta vare på den for senere referanse.

### 2.0.1 Fare

- Senk aldri apparatet ned i vann eller annen væske.

### 2.0.2 Advarsel

- Før du kobler til apparatet, må du kontrollere at spenningen som er angitt på apparatet, stemmer overens med nettspenningen.
- Du må ikke bruke apparatet hvis støpselet, ledningen eller selve apparatet er ødelagt.
- Hvis ledningen er ødelagt, må den alltid skiftes ut av Philips, et servicesenter som er godkjent av Philips, eller lignende kvalifisert personell, slik at man unngår farlige situasjoner.
- Dette apparatet kan brukes av barn som er 8 år eller eldre og av personer med nedsatt sansevne eller fysisk eller psykisk funksjonsevne, eller personer med manglende erfaring eller

kunnskap, dersom de får tilsyn eller instruksjoner om bruk av apparatet på en sikker måte, og hvis de forstår risikoen. Rengjøring og brukervedlikehold skal ikke utføres av barn med mindre de er eldre enn 8 år og er under oppsyn. Oppbevar apparatet og ledningen utilgjengelig for barn som er yngre enn 8 år.

- Barn skal ikke leke med apparatet.
- Ikke la ledningen henge over kanten på bordet eller benken der apparatet står.

### 2.0.3 Forsiktig

- Ikke plasser apparatet på en varm overflate, og pass på at ledningen ikke kommer i kontakt med varme overflater.
- Koble fra apparatet før du rengjør det, og hvis det oppstår problemer under traktingen.
- Dette apparatet er beregnet på bruk i hjemmet og lignende bruksområder, som gårder, overnattingssteder, personalkjøkken i butikker, på kontorer og i andre jobbmiljøer og av kunder på hoteller, moteller og andre typer bomiljøer.

### 2.0.4 Elektromagnetiske felt (EMF)

Dette Philipsapparatet overholder alle aktuelle standarder og forskrifter for eksponering for elektromagnetiske felt.

---

## 3 Generell beskrivelse (fig. 1)

- 1 Filterholder
- 2 Avtakbart frontdeksel
- 3 Lokk til vannbeholder
- 4 Vannbeholder
- 5 Kaffetrakter
- 6 Ledning
- 7 Av/på-vippebryter med på-lampe (HD7564/HD7563/HD7562)
- 8 Beskyttelsesring (HD7567/HD7562)
- 9 Kanne
- 10 Kanelokk med blanderør
- 11 Av/på-knapp med på-lampe (HD7566/HD7565)
- 12 Display med timer og av/på-knapp med på-lampe (HD7567)

---

## 4 Før bruk

- 1 Sett apparatet på et flatt og stabilt underlag.
- 2 Sett støpselet i en jordet stikkontakt.
- 3 Du kan oppbevare overflødig ledning ved å skyve den inn gjennom åpningen bak på kaffetrakteren (fig. 2).

---

### 4.1 Stille klokken (kun HD7567)

- 1 Når du har satt støpselet i veggkontakten, vises ordet SET i displayet (fig. 3).
- 2 Trykk på H-knappen én eller flere ganger for å angi ønsket time (fig. 4).
  - *Displayet viser den angitte timen (f.eks. 07.00).*
- 3 Trykk på M-knappen én eller flere ganger for å angi ønskede minutter (fig. 5).
  - *Displayet viser de angitte minuttene (f.eks. 07.20).*

---

## 5 Bruke apparatet

---

### 5.1 Trakte kaffe

- 1 Kontroller at støpselet står i veggkontakten.
- 2 Fyll vannbeholderen med friskt, kaldt vann (fig. 6).
  - Målestrekene til venstre er for store kopper (120 ml).
  - Målestrekene til høyre er for små kopper (80 ml).
- 3 Åpne filterholderen (fig. 7).
- 4 Ta et papirfilter (type 1x4 eller nr. 4), og brett kantene på det for å forhindre folder og rifter (fig. 8).
- 5 Plasser filteret i filterholderen (fig. 9).

#### Merk:

Noen versjoner leveres med et permanent filter. I slike tilfeller trenger du ikke papirfiltere.

- 6 Ha filtermalt kaffe i filteret (fig. 10).
  - Store kopper: Bruk én toppet måleskje kaffe per kopp.
  - For små kopper: Bruk én strøken måleskje med malt kaffe per kopp.
- 7 Lukk filterholderen. (fig. 11)
- 8 Sett kannen på varmeplaten (fig. 12).
- 9 Slå på apparatet.
  - HD7564/HD7563/HD7562: Trykk på av/på-vippebryteren. På-lampen tennes (fig. 13).
  - HD7566/HD7565: Trykk på av/på-knappen. På-lampen tennes (fig. 14).
  - HD7567: Trykk på av/på-knappen. På-lampen tennes.
- 10 Når alt vannet har rent gjennom filteret, kan du ta kannen av varmeplaten (fig. 15).

#### Advarsel:

Hvis du fjerner kannen i mer enn 30 sekunder før alt vannet har gått gjennom filteret, kan filteret renne over.

- 11** Trykk på av/på-knappen (HD7567/HD7566/HD7565) eller av/på-vippebryteren (HD7564/HD7563/HD7562) for å slå av apparatet etter bruk.

HD7566/HD7565: Apparatet slår seg av automatisk etter 30 minutter.

- 12** La apparatet avkjøles i minst tre minutter før du trakter kaffe igjen.

## 5.2 Timer (kun HD7567)

Du kan bruke timeren til å forhåndsinnstille tiden da du vil at kaffetrakteren skal trakte kaffe.

### Merk:

Hvis du vil bruke timerfunksjonen, må du kontrollere at klokken går riktig. Du kan bare angi riktig klokkeslett når apparatet er avslått (se delen Stille klokken (HD7567) i avsnittet Før bruk).

### Merk:

Etter et strømbrudd må du stille klokken og timeren på nytt.

- 1** Trykk på timerknappen (fig. 16).
- *Displayet viser angitt automatisk på-tid, og den oransje timerlampen lyser.*

### Advarsel:

Når du trykker på timerknappen, vises normaltiden hvis du slutter å trykke på timeknappen eller minuttknappen i mer enn fem sekunder. Hvis det er tilfellet, er timeren angitt.

- 2** Trykk på H-knappen én eller flere ganger for å angi ønsket time (fig. 4).
- 3** Trykk på M-knappen én eller flere ganger for å angi ønskede minutter (fig. 5).
- *Fem sekunder etter du slutter å trykke på time- eller minuttknappen, vises normaltiden igjen. Den gule timerlampen lyser for å vise at timeren er angitt.*
- 4** Følg trinnene 1 til 8 i avsnittet Trakte kaffe for å klargjøre apparatet på traktningen.
- 5** Apparatet begynner å trakte kaffe på det angitte klokkeslettet.
- *Den gule timerlampen slukker, og den røde på-lampen lyser.*

### Merk:

Hvis du vil kontrollere om du har angitt timeren riktig, trykker du på timerknappen.

### Merk:

Hvis du vil slå av timeren, trykker du på av/på-knappen.

## 5.3 Funksjoner

### 5.3.1 Dryppstopp

- Dryppstoppsystemet hindrer kaffen i å dryppe gjennom filteret og ned på varmeplaten når du tar kannen fra apparatet under eller etter traktning.

### 5.3.2 Beskyttelsesring (kun HD7567/HD7562)

- Kannen har en avtakbar beskyttelsesring som gjør at kannen ikke knuser så lett (fig. 17).

### 5.3.3 Aromavirvel

- Et blanderør som er festet til kannelokket, gjør at kaffen sirkulerer gjennom kannen for optimal aromadistribusjon (fig. 18).

## 5.4 Varme opp kaffe i mikrobølgeovnen

Hvis du vil varme opp kaffe, kan du sette kannen i mikrobølgeovnen, også med beskyttelsesringen på.

---

## 6 Rengjøring

### **Advarsel:**

Apparatet må aldri senkes ned i vann.

### **Advarsel:**

Bruk aldri skurebørster, skuremidler eller væsker som bensin eller aceton til å rengjøre apparatet.

Bruk bare en fuktig klut.

- 1 La apparatet kjøles ned og koble det fra.
- 2 Rengjør utsiden av apparatet med en fuktig klut.
- 3 Hvis du har brukt et permanent filter, må du tømme det og skylle det under rennende vann.

---

### 6.1 Filterholder

Du må rengjøre filterholderen regelmessig for å unngå at det samler seg kafferester i den.

- 1 Løft opp filterholderen for å løsne det nederste hengslet på filterholderen. (fig. 19)
- 2 Vipp bunnen av filterholderen mot deg (1). Beveg filterholderen nedover (2). (fig. 20)
- 3 Løsne frontdekelet på filterholderen.
  - Alle typer unntatt HD7566, HD7564: Trekk frontdekelet av filterholderen (fig. 21).
  - HD7566, HD7564: Klem sammen pinnene nederst på filterholderen (1), og fjern frontdekelet (2) (fig. 22).
- 4 Rengjør frontdekelet.
  - Alle typer unntatt HD7566, HD7564: Rengjør plastfrontdekelet i varmt vann med litt oppvaskmiddel eller i oppvaskmaskinen.
  - HD7566, HD7564: Rengjør metallfrontdekelet med en fuktig klut.

### **Advarsel:**

**Ikke rengjør metalldekelet på filterholderen i oppvaskmaskinen.**

- 5 Rengjør filterholderen i varmt vann med litt oppvaskmiddel eller i oppvaskmaskinen.

- 6 Etter rengjøringen fester du frontdekelet på filterholderen igjen.
  - Alle typer unntatt HD7566, HD7564: Fest frontdekelet tilbake på filterholderen.
  - HD7566, HD7564: Skyv posisjoneringstappene inn i åpningene (1), og skyv deretter metalldekelet oppover så langt det går (2) (fig. 23).
- 7 Sett filterholderen tilbake i apparatet.

---

### 6.2 Glasskanne

- 1 HD7567/HD7562: Vipp opp og trekk ned metallklemmen for å løsne beskyttelsesringen (fig. 24).
- 2 Åpne lokket på kannen. Vipp lokket litt til venstre eller høyre (1), og trekk det deretter av kannen (2). (fig. 25)
- 3 Rengjør kannen, beskyttelsesringen (kun HD7567/HD7562) og kannelokket i varmt vann med litt oppvaskmiddel eller i oppvaskmaskinen.
- 4 Når du har rengjort glasskannen, skyller du den i rent, varmt vann.
- 5 Kontroller at blanderøret ikke er blokkert av noe før du fester lokket til kannen igjen.

---

## 7 Avkalking

Regelmessig avkalking forlenger apparatets levetid og garanterer best mulig trakting i lang tid.

Ved normal bruk (to fulle kanner med kaffe hver dag) anbefaler vi følgende avkalkingsfrekvens:

- 2 eller 3 ganger i året hvis du bruker mykt vann (opptil 18 dH)
- 4 eller 5 ganger i året hvis du bruker hardt vann (over 18 dH)

Ta kontakt med det lokale vannverket hvis du trenger informasjon om vannets hardhetsgrad der du bor.

- HD7567: Ordet CALC vises i displayet når du må avkalke apparatet (fig. 26).

Utfør følgende trinn når du skal avkalke apparatet:

- 1 Fyll vannbeholderen halvfull med vann og et flytende avkalkingsmiddel i henhold til instruksjonene på pakken.

### **Tips:**

Du kan også bruke hvit eddik (4 %).

### **Advarsel:**

**Ikke bruk avkalkingspulver.**

### **Advarsel:**

**Ikke legg i filter eller kaffe i filterholderen.**

- 2 La apparatet gå i to omganger.  
Se avsnittet Bruke apparatet. La apparatet avkjøles i tre minutter før du starter den andre traktingen.
- 3 La apparatet deretter gå i ytterligere to omganger med friskt, kaldt vann, slik at avkalkings- og kalkrester skylles ut.
- 4 Rengjør kannen og filterholderen (se avsnittet Rengjøring).

## 8 Bestille tilbehør

Hvis du vil kjøpe tilbehør til dette apparatet, kan du gå til nettbutikken vår på

**[www.shop.philips.com/service](http://www.shop.philips.com/service)**. Hvis nettbutikken ikke er tilgjengelig i landet der du bor, kan du ta kontakt med Philips-forhandleren eller et Philips-servicesenter. Hvis du har problemer med å få tak i tilbehør til apparatet, kan du ta kontakt med Philips' forbrukerstøtte i landet der du bor. Du finner kontaktopplysninger i garantiheftet.

## 9 Resirkulering

- Dette symbolet på et produkt betyr at produktet omfattes av EU-direktiv 2012/19/EU. Gjør deg kjent med lokale innsamlingsordninger for elektriske og elektroniske produkter. Følg lokale bestemmelser, og kast aldri produktet med vanlig husholdningsavfall. Riktig deponering av gamle produkter bidrar til å forhindre negative konsekvenser for helse og miljø (fig. 27).

## 10 Garanti og service

Hvis du trenger service eller informasjon, eller hvis du har et problem med produktet, kan du gå til webområdet til Philips på **[www.philips.com/support](http://www.philips.com/support)** eller ta kontakt med Philips' forbrukerstøtte i landet der du bor. Du finner telefonnummeret i garantiheftet. Hvis det ikke finnes noen forbrukerstøtte der du bor, kan du kontakte din lokale Philips-forhandler.

## 11 Feilsøking

Dette avsnittet gir en oppsummering av de vanligste problemene som kan oppstå med apparatet. Hvis du ikke kan løse problemet ved hjelp av informasjonen nedenfor, kan du gå til **[www.philips.com/support](http://www.philips.com/support)** for å se en liste over vanlige spørsmål, eller du kan kontakte forbrukerstøtten i landet der du bor.

**Det tar lenger tid å trakte kaffe enn til vanlig.** Apparatet må avkalkes (se avsnittet Avkalking).

**Kaffetrakteren slår seg av før vannbeholderen er tom.** Apparatet må avkalkes (se avsnittet Avkalking).

**Filteret renner over når kannen fjernes fra apparatet under traktingen.**

Ikke fjern kannen i mer enn 30 sekunder. Det forhindrer at filteret renner over.

**Kaffen flyter fra filteret, men den flyter ikke ordentlig ned i kannen, eller ikke i det hele tatt.** Kontroller om blanderøret er tett.

---

# 1 Introdução

Parabéns pela sua compra e bem-vindo à Philips! Para tirar todo o partido da assistência fornecida pela Philips, registe o seu produto em [www.philips.com/welcome](http://www.philips.com/welcome).

---

## 2 Importante

Leia cuidadosamente este manual do utilizador antes de utilizar o aparelho e guarde-o para consultas futuras.

### 2.0.1 Perigo

- Nunca mergulhe o aparelho em água ou em qualquer outro líquido.

### 2.0.2 Aviso

- Verifique se a voltagem indicada no aparelho corresponde à voltagem eléctrica local antes de o ligar.
- Não utilize o aparelho se a ficha, o fio de alimentação ou o próprio aparelho estiverem danificados.
- Se o fio estiver danificado, deve ser sempre substituído pela Philips, por um centro de assistência autorizado da Philips ou por pessoal devidamente qualificado para se evitarem situações de perigo.
- Este aparelho pode ser utilizado por crianças com idade igual ou superior a 8 anos e por pessoas com capacidades físicas, sensoriais ou mentais reduzidas, ou com falta de experiência e conhecimento, caso

sejam supervisionadas ou recebam instruções relativas à utilização segura do aparelho e se forem alertadas para os perigos envolvidos. A limpeza e a manutenção do utilizador não podem ser efectuadas por crianças, a não ser que tenham idade superior a 8 anos e sejam supervisionadas. Mantenha o aparelho e o cabo fora do alcance de crianças com idade inferior a 8 anos.

- As crianças não podem brincar com o aparelho.
- Não deixe que o fio de alimentação fique pendurado na extremidade da mesa ou bancada de trabalho onde o aparelho está colocado.

### 2.0.3 Cuidado

- Não coloque o aparelho sobre uma superfície quente e evite que o fio entre em contacto com superfícies quentes.
- Desligue o aparelho da corrente se ocorrer algum problema durante a preparação do café e antes de o limpar.
- Este aparelho destina-se a ser utilizado em ambientes domésticos e aplicações semelhantes, como quintas, ambientes tipo “alojamento e pequeno-almoço”, copas de pessoal em lojas, escritórios e outros ambientes de trabalho e por clientes em hotéis, motéis e outros tipos de ambientes residenciais.



### 2.0.4 Campos electromagnéticos (CEM)

Este aparelho Philips cumpre todas as normas e regulamentos aplicáveis relativos à exposição a campos electromagnéticos.

## 3 Descrição geral (fig. 1)

- 1 Suporte do filtro
- 2 Cobertura frontal destacável
- 3 Tapa do reservatório da água
- 4 Depósito de água
- 5 Máquina de café
- 6 Cabo de alimentação
- 7 Interruptor rotativo para ligar/desligar com luz indicadora (HD7564/HD7563/HD7562)
- 8 Protecção (HD7567/HD7562)
- 9 Jarro
- 10 Tapa do jarro com tubo de mistura
- 11 Botão de ligar/desligar com luz indicadora (HD7566/HD7565)
- 12 Visor com temporizador e botão de ligar/desligar com luz indicadora (HD7567)

## 4 Preparar para a utilização

- 1 Coloque o aparelho sobre uma superfície plana e estável.
- 2 Ligue a ficha a uma tomada com terra.
- 3 O fio excedente pode ser guardado numa abertura própria situada na parte de trás da máquina de café (fig. 2).

## 4.1 Acertar o relógio (apenas HD7567)

- 1 Depois de ligar a ficha à tomada eléctrica, a palavra 'SET' aparece no visor (fig. 3).
- 2 Prima uma ou mais vezes o botão 'H' para acertar a hora (fig. 4).
  - O visor mostra a hora introduzida (por ex.: 7:00).
- 3 Prima uma ou mais vezes o botão 'M' para acertar os minutos (fig. 5).
  - O visor mostra os minutos introduzidos (por ex.: 7:20).

## 5 Utilizar o aparelho

### 5.1 Preparação do café

- 1 Certifique-se de que a ficha está ligada à tomada eléctrica.
- 2 Encha o reservatório com água limpa e fria (fig. 6).
  - As graduações à esquerda destinam-se a chávenas grandes (120 ml).
  - As graduações à direita destinam-se a chávenas pequenas (80 ml).
- 3 Abra o suporte do filtro (fig. 7).
- 4 Segure num filtro de papel (tipo 1x4 ou n.º 4) e dobre os rebordos selados para evitar que o filtro se rasgue ou se dobre (fig. 8).
- 5 Coloque o filtro no respectivo suporte (fig. 9).

#### Nota:

Algumas versões são fornecidas com um filtro permanente. Neste caso, não precisa de utilizar filtros de papel.

- 6 Coloque o café moído (moagem final) no filtro (fig. 10).
  - Para chávenas grandes: use uma medida bem cheia de café moído por cada chávena.
  - Para chávenas pequenas: use uma medida rasa de café moído por cada chávena.
- 7 Feche o suporte do filtro. (fig. 11)
- 8 Coloque o jarro sobre a placa de aquecimento (fig. 12).

- 9** Ligue o aparelho.
- HD7564/HD7563/HD7562: Prima o interruptor rotativo para ligar/desligar. A luz indicadora acende-se (fig. 13).
  - HD7566/HD7565: Prima o botão de ligar/desligar. A luz indicadora acende-se (fig. 14).
  - HD7567: Prima o botão de ligar/desligar. A luz de indicadora acende-se.
- 10** Quando toda a água tiver passado através do filtro, pode retirar o jarro do aparelho (fig. 15).

**⚠ Aviso:**

Se retirar o jarro mais de 30 segundos antes de toda a água ter passado pelo filtro, o filtro poderá transbordar.

- 11** Prima o botão de ligar/desligar (HD7567/HD7566/HD7565) ou o interruptor rotativo para ligar/desligar (HD7564/HD7563/HD7562) de modo a desligar o aparelho depois de o utilizar.
- HD7566/HD7565: O aparelho desliga-se automaticamente 30 minutos mais tarde.
- 12** Deixe o aparelho arrefecer durante, pelo menos, 3 minutos antes de começar a fazer café novamente.

## 5.2 Temporizador (apenas HD7567)

Pode utilizar o temporizador para predefinir a hora a que deseja que a máquina prepare café.

**ⓘ Nota:**

Se deseja utilizar o temporizador, certifique-se de que o relógio tem a hora certa. Só pode acertar a hora quando o aparelho está desligado (consulte a secção 'Acertar o relógio (HD7567)', no capítulo 'Preparação').

**ⓘ Nota:**

Depois de uma falha de energia, terá de acertar novamente o relógio e o temporizador.

- 1** Prima o botão do temporizador (fig. 16).
- *O visor mostra a hora de ligação automática definida e a luz laranja do temporizador acende-se.*

**⚠ Aviso:**

Depois de premir o botão do temporizador, a hora certa reaparece se não premir o botão das horas ou o dos minutos durante mais de 5 segundos. O temporizador fica assim definido.

- 2** Prima uma ou mais vezes o botão 'H' para acertar a hora (fig. 4).
- 3** Prima uma ou mais vezes o botão 'M' para acertar os minutos (fig. 5).
- *5 segundos depois de parar de premir o botão das horas ou o dos minutos, a hora certa reaparece. A luz amarela do temporizador acende-se, indicando que o temporizador está definido.*
- 4** Siga os passos 1 a 8 da secção 'Preparação do café' para preparar o aparelho para fazer o café.
- 5** O aparelho começa a fazer o café no tempo predefinido.
- *A luz amarela desliga-se e a luz vermelha de alimentação acende-se.*

**ⓘ Nota:**

Se deseja verificar se definiu correctamente o temporizador, prima o botão do temporizador.

**ⓘ Nota:**

Se deseja desligar o temporizador, prima o botão ligar/desligar.

## 5.3 Funções

### 5.3.1 Sistema anti-pingos

- O sistema anti-pingos evita que o café pingue através do filtro sobre a placa de aquecimento quando retira o jarro do aparelho, durante ou após a preparação do café.

### 5.3.2 Protecção (apenas HD7567/HD7562)

- O jarro possui uma protecção destacável que ajuda a evitar que o jarro parta (fig. 17).

### 5.3.3 Espiral de aromas

- O tubo de mistura da tampa do jarro faz circular o café e permite a melhor distribuição do aroma (fig. 18).

---

## 5.4 Aquecer o café no microondas

Se quiser aquecer o café, pode colocar o jarro no microondas, mesmo com a protecção colocada.

---

# 6 Limpeza

### **Aviso:**

Nunca imerja o aparelho em água.

### **Aviso:**

Nunca utilize esfregões, agentes de limpeza abrasivos ou líquidos agressivos, tais como petróleo ou acetona, para limpar o aparelho. Utilize apenas um pano húmido.

- 1 Deixe o aparelho arrefecer e desligue a ficha da tomada.
- 2 Limpe o exterior do aparelho com um pano húmido.
- 3 Depois de utilizar um filtro permanente, esvazie-o e enxágue-o com água corrente.

---

## 6.1 Suporte do filtro

Deve limpar regularmente o suporte do filtro para evitar a acumulação de resíduos de café.

- 1 Levante o suporte do filtro para remover a articulação inferior do suporte do filtro. (fig. 19)
- 2 Incline o fundo do suporte do filtro na sua direcção (1). Mova o suporte do filtro para baixo (2). (fig. 20)
- 3 Retire a cobertura frontal do suporte do filtro.
  - Todos os tipos excepto HD7566, HD7564: Empurre a cobertura frontal do suporte do filtro (fig. 21).
  - HD7566, HD7564: Aperte os pinos no fundo do suporte do filtro (1) e retire a cobertura frontal (2) (fig. 22).

- 4 Limpe a cobertura frontal.
  - Todos os tipos excepto HD7566, HD7564: limpe a cobertura frontal (plástica) com água quente e detergente ou na máquina de lavar a loiça.
  - HD7566, HD7564: limpe a cobertura frontal (metálica) com um pano húmido.

### **Aviso:**

Não lave a cobertura metálica do suporte do filtro na máquina de lavar a loiça.

- 5 Lave o suporte do filtro em água quente e um pouco de detergente ou na máquina de lavar a loiça.
- 6 Após limpeza, volte a colocar a cobertura frontal no suporte do filtro.
  - Todos os tipos excepto HD7566, HD7564: Volte a colocar a cobertura frontal no suporte do filtro até ouvir um estalido.
  - HD7566, HD7564: Deslize as duas saliências ao longo das aberturas (1) e volte a deslizar a cobertura metálica para cima, até onde for possível (2) (fig. 23).
- 7 Coloque o suporte do filtro novamente no aparelho.

---

## 6.2 Jarro de vidro

- 1 HD7567/HD7562: Abra e empurre para baixo o grampo de metal para retirar a protecção (fig. 24).
- 2 Abra a tampa do jarro. Incline ligeiramente a tampa para a esquerda ou para a direita (1) e retire-a do jarro (2). (fig. 25)
- 3 Limpe o jarro, a protecção (apenas HD7567/HD7562) e a tampa em água quente com detergente ou na máquina de lavar a loiça.
- 4 Depois de lavar, enxágue o jarro de vidro com água limpa e quente.
- 5 Certifique-se de que não existem obstruções no tubo de mistura antes de voltar a colocar a tampa no jarro.

---

## 7 Descalcificação

A descalcificação regular prolonga a vida do aparelho e garante os melhores resultados de café durante muito tempo.

Em caso de utilização normal (dois jarros diários cheios de café), recomendamos a seguinte frequência de descalcificação:

- 2 ou 3 vezes por ano se utilizar água macia (até 18 dH);
- 4 ou 5 vezes por ano se utilizar água dura (mais de 18 dH).

Informe-se junto da companhia das águas local sobre o grau de dureza da água da sua área.

- HD7567: A palavra CALC aparece no visor quando precisa de descalcificar o aparelho (fig. 26).

Para descalcificar o aparelho, siga os seguintes passos:

- 1 Encha o depósito de água até meio com água e descalcificante líquido, respeitando as instruções na embalagem.

### Sugestão:

Também pode utilizar vinagre branco (4% ácido acético).

### Aviso:

Não utilize descalcificante em pó.

### Aviso:

Não coloque filtro nem café moído no suporte do filtro.

- 2 Deixe o aparelho efectuar dois ciclos completos.  
Consulte o capítulo 'Utilização do aparelho'.  
Deixe o aparelho arrefecer durante 3 minutos antes de iniciar o segundo ciclo de preparação de café.
- 3 Deixe o aparelho completar mais dois ciclos com água limpa e fria para remover todos os vestígios de descalcificante e calcário.
- 4 Limpe o jarro e o suporte do filtro (consulte o capítulo 'Limpeza').

---

## 8 Encomendar acessórios

Para comprar acessórios para este aparelho, visite a nossa loja online em **[www.shop.philips.com/service](http://www.shop.philips.com/service)**. Se não tiver uma loja online disponível no seu país, dirija-se ao seu distribuidor Philips ou a um centro de assistência Philips. Se tiver dificuldades em obter acessórios para o seu aparelho, contacte o Centro de Apoio ao Cliente da Philips no seu país. Pode encontrar os detalhes de contacto no folheto de garantia mundial.

---

## 9 Reciclagem

- Este símbolo num produto significa que o produto está abrangido pela Directiva Europeia 2012/19/UE. Informe-se sobre o sistema de recolha selectiva local para produtos eléctricos e electrónicos. Cumpra as regras locais e nunca coloque o produto nos resíduos domésticos comuns. A eliminação correcta de produtos usados ajuda a evitar consequências nocivas para o meio ambiente e para a saúde pública (fig. 27).

---

## 10 Garantia e assistência

Se precisar de assistência ou informações, ou se tiver algum problema, visite o Web site da Philips em **[www.philips.com/support](http://www.philips.com/support)** ou contacte o Centro de Apoio ao Cliente da Philips no seu país. Poderá encontrar o número de telefone no folheto de garantia mundial. Se não houver um Centro de Apoio ao Cliente no seu país, dirija-se ao representante local da Philips.

---

# 11 Resolução de problemas

Este capítulo resume os problemas mais comuns que podem surgir no aparelho. Se não conseguir resolver o problema com as informações fornecidas a seguir, visite [www.philips.com/support](http://www.philips.com/support) para consultar uma lista de perguntas frequentes ou contacte o Centro de Apoio ao Cliente no seu país.

**Preparar o café demora mais tempo do que o habitual.**

O aparelho tem de ser descalcificado (consulte o capítulo 'Descalcificação').

**A máquina de café desliga-se antes de o depósito de água ficar vazio.**

O aparelho tem de ser descalcificado (consulte o capítulo 'Descalcificação').

**O filtro deita água quando o jarro é retirado do aparelho durante a preparação do café.**

Não retire o jarro durante mais de 30 segundos para evitar que o filtro deite água.

**O café sai do filtro, mas não flui para o jarro ou o fluxo não é o ideal.**

Verifique se o tubo de mistura está obstruído.

---

# 1 Introduktion

Grattis till inköpet och välkommen till Philips! För att dra maximal nytta av den support som Philips erbjuder kan du registrera din produkt på [www.philips.com/welcome](http://www.philips.com/welcome).

---

## 2 Viktigt

Läs användarhandboken noggrant innan du använder apparaten och spara den för framtida bruk.

### 2.0.1 Fara

- Sänk aldrig ned apparaten i vatten eller någon annan vätska.

### 2.0.2 Varning

- Kontrollera att den spänning som anges på apparaten överensstämmer med den lokala nätspänningen innan du ansluter apparaten.
- Använd inte apparaten om stickkontakten, nätsladden eller själva apparaten är skadad.
- Om nätsladden är skadad måste den alltid bytas ut av Philips, något av Philips auktoriserade serviceombud eller liknande behöriga personer för att undvika olyckor.
- Den här apparaten kan användas av barn från 8 års ålder, personer med olika funktionshinder samt av personer som inte har kunskap om apparaten såvida det sker under tillsyn eller om de har

informerats om hur apparaten används på ett säkert sätt och de eventuella medförda riskerna. Rengöring och användarunderhåll får utföras av barn om de är äldre än 8 år och under tillsyn av vuxen. Håll apparaten och dess sladd utom räckhåll för barn under 8 år:

- Barn ska inte leka med apparaten.
- Se till att nätsladden inte hänger över kanten på bordet eller arbetsbänken där apparaten står.

### 2.0.3 Försiktighet

- Placera inte apparaten på en varm yta, och förhindra att nätsladden kommer i kontakt med varma ytor.
- Dra ur sladden om problem uppstår under bryggningen och innan du rengör apparaten.
- Den här apparaten är avsedd att användas i hushåll och liknande miljöer som bondgårdar, bed and breakfast-miljöer, personalkök i affärer, på kontor och i andra arbetsmiljöer, av gäster på hotell, motell och andra typer av boendemiljöer.

### 2.0.4 Elektromagnetiska fält (EMF)

Den här Philips-produkten uppfyller alla tillämpliga standarder och regler gällande exponering av elektromagnetiska fält.

---

## 3 Allmän beskrivning (Bild 1)

- 1 Filterhållare
- 2 Löstagbar framsida
- 3 Vattentankslock
- 4 Vattentank
- 5 Kaffebryggare
- 6 Nätsladd
- 7 På/av-lägesomkopplare med strömlampa (HD7564/HD7563/HD7562)
- 8 Skyddsring (HD7567/HD7562)
- 9 Kanna
- 10 Lock till kanna med blandningsrör
- 11 På/av-knapp med strömlampa (HD7566/HD7565)
- 12 Teckenfönster med timer och på/av-knapp med strömlampa (HD7567)

---

## 4 Förberedelser inför användning

- 1 Bryggaren ska stå på en plan och stabil yta.
- 2 Sätt in stickkontakten i ett jordat vägguttag.
- 3 Förvara överflödig nätsladd genom att stoppa in den i öppningen på kaffebryggarens baksida (Bild 2).

---

### 4.1 Ställa in klockan (endast HD7567)

- 1 När du har satt in kontakten i vägguttaget visas ordet SET i teckenfönstret (Bild 3).
- 2 Tryck på H-knappen minst en gång för att ange rätt timme (Bild 4).
  - *Den inställda timmen visas i teckenfönstret (t.ex. 7:00).*
- 3 Tryck på M-knappen minst en gång för att ange minuterna (Bild 5).
  - *De inställda minuterna visas i teckenfönstret (t.ex. 7:20).*

---

## 5 Använda apparaten

---

### 5.1 Brygga kaffe

- 1 Se till att stickkontakten sitter i vägguttaget.
- 2 Fyll vattentanken med färskt kallt vatten (Bild 6).
  - Graderingen till vänster är för stora koppar (120 ml).
  - Graderingen till höger är för små koppar (80 ml).
- 3 Öppna filterhållaren (Bild 7).
- 4 Ta ett pappersfilter (av typen 1x4 eller nr 4) och vik den pressade kanten för att förhindra att den rivs sönder eller viks (Bild 8).
- 5 Sätt i filtret i filterhållaren (Bild 9).

#### Obs!

Vissa modeller har ett permanent filter. Då behöver du inte använda pappersfilter.

- 6 Lägg malet kaffe (bryggkaffe) i filtret (Bild 10).
  - Till stora koppar: ta ett rågat mått malet kaffe till varje kopp.
  - Till små koppar: ta ett slätstruket mått malet kaffe till varje kopp.
- 7 Stäng filterhållaren. (Bild 11)
- 8 Ställ kannan på plattan (Bild 12).
- 9 Slå på apparaten.
  - HD7564/HD7563/HD7562: Tryck på på/av-lägesomkopplaren. Strömlampan tänds (Bild 13).
  - HD7566/HD7565: Tryck på på/av-knappen. Strömlampan tänds (Bild 14).
  - HD7567: Tryck på på/av-knappen. Strömlampan tänds.
- 10 När allt vatten har runnit igenom filtret kan du ta bort kannan från bryggaren (Bild 15).

#### Varning!

**Om du tar bort kannan i mer än 30 sekunder innan allt vatten har passerat genom filtret kan filtret svämma över.**

**11** Tryck på på/av-knappen (HD7567/HD7566/HD7565) eller på på/av-lägesomkopplaren (HD7564/HD7563/HD7562) för att stänga av apparaten efter användning.  
HD7566/HD7565: Apparaten stängs av automatiskt efter 30 minuter.

**12** Låt apparaten svalna i minst tre minuter innan du brygger nytt kaffe.

---

## 5.2 Timer (endast HD7567)

Du kan använda timern till att ställa in vilken tid du vill brygga kaffe.

### Obs!

Om du vill använda timerfunktionen måste klockan vara inställd på rätt tid. Du kan bara ställa in tiden när apparaten är avstängd (se avsnittet Ställa in klockan (HD7567) i kapitlet Förberedelser inför användning).

### Obs!

Efter ett strömavbrott måste du ställa in klockan och timern igen.

**1** Tryck på timerknappen (Bild 16).

- *Den inställda tiden för automatisk aktivering visas i teckenfönstret och den orange timerlampan tänds.*

### Varning!

**När du har tryckt på timerknappen visas den normala tiden på nytt om du slutar trycka på knappen för timmar eller minuter i mer än fem sekunder. Om så är fallet är timern inställd.**

**2** Tryck på H-knappen minst en gång för att ange rätt timme (Bild 4).

**3** Tryck på M-knappen minst en gång för att ange minuterna (Bild 5).

- *Fem sekunder efter att du slutat trycka på knappen för timmar eller minuter visas den normala tiden på nytt. Den gula timerlampan tänds och indikerar att timern är inställd.*

**4** Följ steg 1 till 8 i avsnittet Brygga kaffe och förbered apparaten för brygging.

**5** Apparaten börjar brygga kaffe vid den inställda tiden.

- *Den gula timerlampan släcks och den röda strömlampan tänds.*

### Obs!

Om du vill kontrollera att du har ställt in timern rätt trycker du på timerknappen.

### Obs!

Om du vill stänga av timern trycker du på på/av-knappen.

---

## 5.3 Funktioner

### 5.3.1 Dropptopp

- Dropptoppssystemet förhindrar att kaffe droppar genom filtret ned på värmeplattan när du tar bort kannan från bryggaren under eller efter bryggingen.

### 5.3.2 Skyddsring (endast HD7567/HD7562)

- Kannan har en löstagbar skyddsring som hjälper till att förhindra att kannan går sönder (Bild 17).

### 5.3.3 Aromvirvel

- Blandningsröret i locket till kannan gör att kaffet cirkulerar genom kannan för optimal aromfördelning (Bild 18).

---

## 5.4 Värma kaffe i mikrovågsugnen

Om du vill värma kaffe kan du ställa kannan i mikrovågsugnen, även med skyddsringen på.



## 6 Rengöring

### **Varning!**

Sänk aldrig ned apparaten i vatten.

### **Varning!**

Använd aldrig skursvampar, slipande rengöringsmedel eller våtskor som bensin eller aceton till att rengöra apparaten. Använd bara en fuktig trasa.

- 1 Låt apparaten svalna och koppla ur den.
- 2 Rengör apparatens utsida med en fuktig trasa.
- 3 Om du använder ett permanent filter tömmer du det och sköljer det under kranen.

### 6.1 Filterhållare

Du måste rengöra filterhållaren regelbundet för att undvika ansamling av kafferester.

- 1 Lyft upp filterhållaren och ta bort det nedre gångjärmet. (Bild 19)
- 2 Luta filterhållarens nedre kant mot dig (1). Flytta filterhållaren nedåt (2). (Bild 20)
- 3 Ta bort filterhållarens framsida.
  - Alla modeller utom HD7566, HD7564: Dra av framsidan från filterhållaren (Bild 21).
  - HD7566, HD7564: Tryck på stiften i filterhållarens botten (1) och ta bort framsidan (2) (Bild 22).
- 4 Rengör framsidan.
  - Alla modeller utom HD7566, HD7564: Rengör plastframsidan med varmt vatten och lite diskmedel eller i diskmaskin.
  - HD7566, HD7564: Rengör metallframsidan med en fuktig trasa.

### **Varning!**

**Diska inte filterhållarens metallframsida i diskmaskin.**

- 5 Rengör filterhållaren i varmt vatten med lite diskmedel eller i diskmaskin.

- 6 Sätt tillbaka framsidan på filterhållaren efter rengöringen.
  - Alla modeller utom HD7566, HD7564: Tryck tillbaka framsidan på filterhållaren.
  - HD7566, HD7564: För in lägespiggarna i öppningarna (1) och för sedan metallhöljet uppåt så långt det går (2) (Bild 23).
- 7 Sätt tillbaka filterhållaren i apparaten.

### 6.2 Glaskanna

- 1 HD7567/HD7562: Öppna och dra ned metallklämman för att ta loss skyddsringen (Bild 24).
- 2 Öppna kannans lock. Luta locket en aning åt vänster eller höger (1) och dra sedan av det från kannan (2). (Bild 25)
- 3 Rengör kannan, skyddsringen (endast HD7567/HD7562) och locket till kannan i varmt vatten med lite diskmedel eller i diskmaskin.
- 4 Efter rengöringen sköljer du glaskannan med rent varmt vatten.
- 5 Se till att blandningsröret inte är blockerat av något innan du sätter tillbaka locket på kannan.

## 7 Avkalkning

Om apparaten avkalkas regelbundet håller den längre och ger garanterat bättre resultat under längre tid.

Vid normal användning (två fulla kannor kaffe varje dag) rekommenderar vi följande avkalkningsintervall:

- två till tre gånger om året om du har mjukt vatten (upp till 18 dH).
- fyra till fem gånger om året om du har hårt vatten (över 18 dH).

Det lokala vattenverket kan upplysa dig om vattnets hårdhetsgrad.

- HD7567: Ordet CALC visas i teckenfönstret när du behöver kalka av apparaten (Bild 26).

Så här kalkar du av apparaten:

- 1 Fyll halva vattentanken med vatten och flytande avkalkningsmedel enligt instruktionerna på förpackningen.

### **Tips:**

Du kan även använda vit ättika (4 % ättiksyra).

### **Varning!**

Använd inte avkalkningspulver.

### **Varning!**

Sätt inte i något filter och lägg inte i något kaffepulver i filterhållaren.

- 2 Kör kaffebyggaren två gånger.  
Läs kapitlet Använda apparaten. Låt apparaten svalna i tre minuter innan du påbörjar nästa brygning.
- 3 Fyll på rent kallt vatten och kör kaffebyggaren två gånger för att ta bort allt avkalkningsmedel och alla kalkrester.
- 4 Rengör kannan och filterhållaren (se kapitlet Rengöring).

---

## 8 Beställa tillbehör

Om du vill köpa tillbehör till den här apparaten kan du gå till vår onlinebutik på [www.shop.philips.com/service](http://www.shop.philips.com/service).

Om onlinebutiken inte är tillgänglig i ditt land söker du upp en Philips-återförsäljare eller ett av Philips serviceombud. Om du har svårigheter att hitta tillbehör till apparaten kan du kontakta Philips kundtjänst i ditt land. Kontaktuppgifter finns i garantibroschyren.

---

## 9 Återvinning

- Den här symbolen innebär att produkten omfattas av EU-direktivet 2012/19/EU. Ta reda på var närmaste återvinningsstation för elektriska och elektroniska produkter finns. Följ de lokala bestämmelserna och släng aldrig produkten bland normalt hushållsavfall. Korrekt kassering av gamla produkter bidrar till att förhindra negativ påverkan på miljö och hälsa (Bild 27).

---

## 10 Garanti och service

Om du behöver service eller information eller har problem med apparaten kan du besöka Philips webbplats på [www.philips.com/support](http://www.philips.com/support) eller kontakta Philips kundtjänst i ditt land. Telefonnumret finns i garantibroschyren. Om det inte finns någon kundtjänst i ditt land vänder du dig till din lokala Philips-återförsäljare.

---

## 11 Felsökning

I det här kapitlet sammanfattas de vanligaste problemen som kan uppstå med apparaten. Om du inte kan lösa problemet med hjälp av informationen nedan kan du gå till [www.philips.com/support](http://www.philips.com/support) och läsa svaren på vanliga frågor. Du kan även kontakta kundtjänst i ditt land.

**Det tar längre tid än vanligt att brygga kaffe.**  
Apparaten måste avkalkas (se kapitlet Avkalkning).

**Kaffebyggaren stängs av innan vattentanken är tom.**  
Apparaten måste avkalkas (se kapitlet Avkalkning).

**Filtret rinner över när kannan tas bort från apparaten vid brygning.**  
Du förhindrar att filtret rinner över genom att inte ta bort kannan i mer än 30 sekunder.

**Kaffet rinner ut ur filtret men rinner inte ned i kannan på rätt sätt eller inte alls.**  
Kontrollera om blandningsröret är blockerat.

# 1 Giriş

Ürünümüzü satın aldığınız için teşekkür ederiz. Philips'e hoş geldiniz! Philips'in sunduğu destekten faydalanabilmek için lütfen ürününüzü şu adresten kaydedin: [www.philips.com/welcome](http://www.philips.com/welcome).

## 2 Önemli

Cihazı kullanmadan önce bu kullanım kılavuzunu okuyun ve gelecekte de başvurmak üzere saklayın.

### 2.0.1 Tehlike

- Cihazı kesinlikle suya veya başka bir sıvıya batırmayın.

### 2.0.2 Uyarı

- Cihazı prize takmadan önce, üstünde yazılı olan gerilimin, evinizdeki şebeke gerilimiyle aynı olup olmadığını kontrol edin.
- Cihazın fişi, kordonu veya kendisi hasarlıysa kesinlikle kullanmayın.
- Cihazın elektrik kablosu hasarlıysa, bir tehlike oluşturmasını önlemek için mutlaka Philips'in yetki verdiği bir servis merkezi veya benzer şekilde yetkilendirilmiş kişiler tarafından değiştirilmesini sağlayın.
- Bu cihazın 8 yaşın üzerindeki çocuklar ve fiziksel, motor ya da zihinsel becerileri gelişmemiş veya bilgi ve tecrübe açısından eksik kişiler tarafından kullanımı sadece bu kişilerin nezaretinden sorumlu kişilerin bulunması veya güvenli kullanım talimatlarının

bu kişilere sağlaması ve olası tehlikelerin anlatılması durumunda mümkündür. Temizlik ve kullanıcı bakımı 8 yaşından küçük ve gözetim altında olmayan çocuklar tarafından yapılmamalıdır.

Cihazı ve kablosunu 8 yaşından küçük çocukların erişemeyeceği yerlerde muhafaza edin.

- Çocuklar cihazla oynamamalıdır.
- Elektrik kablosunun, cihazın yerleştirildiği masa ya da tezgahın sarkmamasına dikkat edin.

### 2.0.3 Dikkat

- Kahve makinesini kesinlikle sıcak zeminlere yerleştirmeyin ve elektrik kordonunu sıcak cisimlere değdirmeyin.
- Kahve yaparken ve temizlemeden önce sorun çıkarsa, cihazı fişten çekin.
- Bu cihaz; çiftlik evleri, pansiyonlar, mağazalardaki personel mutfağı alanları, ofisler ve diğer çalışma ortamlarında ve oteller, moteller ve diğer konaklama ortamlarındaki müşteriler tarafından ev içi ve benzeri uygulamalarda kullanıma uygundur.

### 2.0.4 Elektromanyetik alanlar (EMF)

Bu Philips cihazı, elektromanyetik alanlara maruz kalmaya ilişkin geçerli tüm standartlara ve düzenlemelere uygundur.

## 3 Genel açıklamalar (Şek. 1)

- 1 Filtre yuvası
- 2 Sökülebilir ön kapak
- 3 Su haznesi kapağı
- 4 Su haznesi
- 5 Kahve makinesi
- 6 Elektrik kablosu
- 7 Güç lambalı açma/kapama konum butonu (HD7564/HD7563/HD7562)
- 8 Tampon halka (HD7567/HD7562)
- 9 Sürahi
- 10 Sürahi kapağı ve karıştırma çubuğu
- 11 Güç lambalı açma/kapama düğmesi (HD7566/HD7565)
- 12 Zamanlayıcı ekran ve güç lambalı açma/kapama düğmesi (HD7567)

## 4 Cihazın kullanıma hazırlanması

- 1 Cihazı düz ve sabit bir zemine yerleştirin.
- 2 Fişi topraklı duvar prizine takın.
- 3 Elektrik kablosunun kullanılmayan bölümünü kahve makinesinin arka kısmında yer alan delikte saklayabilirsiniz (Şek. 2).

### 4.1 Saatin ayarlanması (yalnızca HD7567)

- 1 Fişi prize taktıktan sonra, 'SET' (AYARLA) sözcüğü ekranda görüntülenir (Şek. 3).
- 2 Saati ayarlamak için 'H' düğmesine bir kez veya daha fazla basın (Şek. 4).
  - *Ekran ayarlanan saati (örn. 7:00) görüntüler.*
- 3 Dakikayı ayarlamak için 'M' düğmesine bir kez veya daha fazla basın (Şek. 5).
  - *Ekran ayarlanan dakikayı (örn. 7:20) görüntüler.*

## 5 Cihazın kullanımı

### 5.1 Kahve pişirmek

- 1 Fişin prize takılı olduğundan emin olun.
- 2 Su haznesini taze ve soğuk su ile doldurun (Şek. 6).
  - Sol kısımda yer alan oranlar büyük fincanlar içindir (120 ml).
  - Sağ kısımda yer alan oranlar küçük fincanlar içindir (80 ml).
- 3 Filtre yuvasını açın (Şek. 7).
- 4 Kağıt filtrenin (model 1x4 veya no. 4) köşelerinin yırtılmasını veya katlanmasını önlemek için işaretli kenarlarını katlayın (Şek. 8).
- 5 Filtreyi filtre yuvasına yerleştirin (Şek. 9).

#### ⚠ Dikkat:

Bazı modeller sabit filtre ile satılmaktadır. Bu durumda kağıt filtre kullanmanıza gerek yoktur.

- 6 Çekilmiş kahveyi (filtreye uygun çekilmiş) filtreye koyun (Şek. 10).
  - Büyük fincanlar için: Her fincan için bir dolu kahve ölçüm kaşığı çekilmiş kahve kullanın.
  - Küçük fincanlar için: Her fincan için ölçekte belirtilen kadar filtre kahve kullanın.
- 7 Filtre yuvasını kapatın. (Şek. 11)
- 8 Kahve sürahisini sıcak plakaya yerleştirin (Şek. 12).
- 9 Cihazı açın.
  - HD7564/HD7563/HD7562: Açma/kapama konum butonuna basın. Güç lambası yanar (Şek. 13).
  - HD7566/HD7565: Açma/kapama düğmesine basın. Güç lambası yanar (Şek. 14).
  - HD7567: Açma/kapama düğmesine basın. Güç lambası yanar.
- 10 Su tankındaki tüm su filtreden akıp sürahiye dolduysa, sürahiye cihazdan çekebilirsiniz (Şek. 15).

### **Uyarı:**

**Sürahiye 30 saniyeden daha fazla bir süre içinde, bütün su filtreden geçmeden önce alırsanız, filtre taşabilir.**

- 11 Kullanım sonrasında cihazı kapatmak için açma/kapama düğmesine (HD7567/HD7566/HD7565) veya açma/kapama konum butonuna (HD7564/HD7563/HD7562) basın. HD7566/HD7565: Cihaz 30 dakika sonra otomatik olarak kapanır.
- 12 Yeniden kahve pişirmeden önce, cihazı en az 3 dakika soğutmaya bırakın.

## 5.2 Zamanlayıcı (yalnızca HD7567)

Kahve makinesinin kahve yapmaya başlamasını istediğiniz zamanı ayarlamak için zamanlayıcıyı kullanabilirsiniz.

### **Dikkat:**

Zamanlayıcı fonksiyonunu kullanmak istiyorsanız, saatin doğru zamana ayarlı olduğundan emin olun. Geçerli zamanı yalnızca cihaz kapalıyken ayarlayabilirsiniz (bkz. 'Kullanıma hazırlama' bölümü 'Saatin ayarlanması (HD7567)' kısmı).

### **Dikkat:**

Elektrik kesintisinden sonra saati ve zamanlayıcıyı yeniden ayarmanız gereklidir.

- 1 Zamanlayıcı düğmesine basın (Şek. 16).
  - *Ekran, otomatik açılma zamanı ayarını görüntüler ve sarı zamanlayıcı lambası yanar.*

### **Uyarı:**

**Zamanlayıcı düğmesine bastıktan sonra, saat düğmesine veya dakika düğmesine 5 saniyeden daha uzun süre basmayı bırakırsanız normal zaman tekrar görüntülenir. Bu durumda, zamanlayıcı ayarlanmıştır.**

- 2 Saati ayarlamak için 'H' düğmesine bir kez veya daha fazla basın (Şek. 4).

- 3 Dakikayı ayarlamak için 'M' düğmesine bir kez veya daha fazla basın (Şek. 5).

- *Saat düğmesine basmayı bıraktıktan 5 saniye sonra normal zaman görüntülenir. Zamanlayıcının ayarlı olduğunu belirtmek için sarı zamanlayıcı ışığı yanar.*

- 4 Cihazı kahve yapmaya hazırlamak için 'Kahve yapma' bölümünün 1 - 8 arasındaki adımlarını uygulayın.

- 5 Cihaz ayarlanan zamanda kahve yapmaya başlar.

- *Sarı zamanlayıcı ışığı söner ve kırmızı güç açık ışığı yanar.*

### **Dikkat:**

Zamanlayıcıyı doğru ayarlayıp ayarlamadığınızı kontrol etmek istiyorsanız, zamanlayıcı düğmesine basın.

### **Dikkat:**

Zamanlayıcıyı kapatmak istiyorsanız, açma/kapama düğmesine basın.

## 5.3 Özellikler

### 5.3.1 Damla tıpası

- Damla tıpası sistemi, kahve yapma sırasında veya sonrasında sürahiye cihazdan aldığınızda, kahvenin filtreden geçerek sıcak plakaya damlamasını engeller.

### 5.3.2 Koruyucu tampon halka (yalnızca HD7567/HD7562)

- Sürahinin, kırılmayı engelleyen sökülebilir bir tampon halkası bulunmaktadır (Şek. 17).

### 5.3.3 Aroma dağıtıcı

- Sürahi kapağında, kahvenin sürahi içinde dolaşmasının ve aromanın optimum şekilde dağıtılmasını sağlayan bir karıştırma çubuğu bulunmaktadır (Şek. 18).

## 5.4 Mikrodalgada kahve ısıtma

Eğer kahveyi ısıtmak isterseniz sürahiye, tampon halka takılı olarak mikrodalgaya koyabilirsiniz.

## 6 Temizlik

### Uyarı:

Asla cihazı suya batırmayın.

### Uyarı:

Cihazı temizlemek için ovalama bezleri, benzin veya aseton gibi aşındırıcı temizlik ürünleri veya zarar verici sıvılar kullanmayın. **Yalnızca nemli bez kullanın.**

- 1 Cihazın soğumasını bekleyin ve fişten çıkarın.
- 2 Cihazın dış tarafını nemli bir bezle temizleyin.
- 3 Eğer tekrar kullanılabilir filtre kullandıysanız, boşaltın ve musluğun altında yıkayın.

### 6.1 Filtre yuvası

Kahve tortulannın oluşmasını engellemek için filtre tutacağı düzenli olarak temizlenmelidir:

- 1 Filtre tutacağını yukarıya doğru kaldırarak tutacağın alt menteşesini çıkarın. (Şek. 19)
- 2 Filtre tutacağının alt kenarını kendinize doğru yatırın (1). Filtre tutacağını aşağıya doğru çekin (2). (Şek. 20)
- 3 Filtre tutacağın ön kapağını çıkarın.
  - HD7566, HD7564 hariç tüm modeller: Ön kapağı filtre tutacağından dışarıya doğru çekin (Şek. 21).
  - HD7566, HD7564: Filtre tutacağının alt kısmındaki pimlere bastırın (1) ve ön kapağı çıkarın (2) (Şek. 22).
- 4 Ön kapağı temizleyin.
  - HD7566, HD7564 hariç tüm modeller: plastik ön kapağı, bir miktar deterjan ile sıcak suda veya bulaşık makinesinde temizleyin.
  - HD7566, HD7564: nemli bir bez ile metal ön kapağı temizleyin.

### Uyarı:

**Filtre tutacağının metal ön kapağını bulaşık makinesinde temizlemeyin.**

- 5 Filtre tutacağını, bir miktar bulaşık deterjanı kullanarak sıcak suda veya bulaşık makinesinde temizleyin.

- 6 Temizledikten sonra ön kapağı filtre tutacağına tekrar takın.
  - HD7566, HD7564 hariç tüm modeller: Ön kapağı filtre tutacağına geri takın.
  - HD7566, HD7564: Tırnakları deliklere doğru kaydın (1) ve metal kapağı mümkün olduğu kadar yukarıya kaydın (2) (Şek. 23).
- 7 Filtre yuvasını tekrar cihaza takın.

### 6.2 Cam sürahi

- 1 HD7567/HD7562: Tampon halkayı çıkarmak için metal klipsi yana doğru açın ve aşağıya çekin (Şek. 24).
- 2 Sürahinin kapağını açın. Kapağı hafifçe sağa ya da sola çevirin (1) ve aşağıya doğru çekerek sürahidan çıkarın (2). (Şek. 25)
- 3 Sürahi, tampon halka (yalnızca HD7567/HD7562) ve sürahi kapağını bir miktar bulaşık deterjanı ile sıcak suda veya bulaşık makinesinde temizleyin.
- 4 Temizleme işleminden sonra, cam sürahiyi sıcak, temiz suyla durulayın.
- 5 Kapağı sürahiye takmadan önce karıştırma çubuğunu engelleyen herhangi bir şey bulunmadığından emin olun.

## 7 Kirecin temizlenmesi

Düzenli olarak uygulanan kireç temizleme işlemi, cihazın ömrünü uzatır ve daha uzun bir süre en iyi şekilde kahve yapımını sağlar. Normal kullanım durumunda (günde iki tam sürahi kahve), kirecin aşağıdaki sıklıkla temizlenmesini öneririz:

- Suyun sertlik derecesi yüksek değilse yılda 2 veya 3 kez (18 dH'ye kadar);
- Suyun sertlik derecesi yüksekse yılda 4 veya 5 kez (18 dH'den fazla).

Bölgenizdeki su sertliği konusunda bilgi edinmek için yerel su idaresine başvurun.

- HD7567: Cihazın kirecini temizlemeniz gerektiğinde, ekranda CALC ifadesi görüntülenir (Şek. 26).

Cihazın kirecini temizlemek için aşağıdaki adımları uygulayın:

- 1 Ambalaj üzerindeki talimatlara göre su haznesinin yansını su ve sıvı kireç çözücü ile doldurun.

#### **İpucu:**

Bezaz sirke de kullanabilirsiniz (%4 asetik asit).

#### **Uyarı:**

**Toz kireç çözücü kullanmayın.**

#### **Uyarı:**

**Filtre yuvasına filtre ve çekilmiş kahve koymayın.**

- 2 Cihazın kahve kaynatma işlemini iki kere gerçekleştirmesini sağlayın. Bkz. 'Cihazın kullanımı' bölümü. İkinci kez çalıştırmadan önce cihazı 3 dakika soğumaya bırakın.
- 3 Cihazı iki kez daha içinde temiz su varken çalıştırarak içinde kalan kireç çözücü ve kireç artıklarını temizleyin.
- 4 Sürahiye ve filtre yuvasını temizleyin (bkz."Temizlik" bölümü).

## 8 Aksesuarların sipariş edilmesi

Bu cihazın aksesuarlarını satın almak için lütfen [www.shop.philips.com/service](http://www.shop.philips.com/service) adresindeki çevrimiçi mağazamızı ziyaret edin. Ülkenizde çevrimiçi mağaza bulunmuyorsa, Philips bayinize veya bir Philips servis merkezine gidin. Cihazın aksesuarlarını satın alma konusunda sorun yaşıyorsanız, lütfen ülkenizdeki Philips Müşteri Destek Merkezi'ne başvurun. İletişim bilgilerinizi garanti kitapçığında bulabilirsiniz.

## 9 Geri dönüşüm

- Ürünlerin üzerindeki bu simge, ürünün Avrupa Yönergesi 2012/19/EU kapsamında olduğu anlamına gelir. Elektrikli ve elektronik ürünlerin aynı toplanmasıyla ilgili yerel sistem hakkında bilgi edinin. Yerel kurallara uyun, ürünü asla normal ev atıklarıyla birlikte atmayın. Eski ürünlerin doğru şekilde atılması, çevreyi ve insan sağlığını olumsuz etkileyecek sonuçların önlenmesine yardımcı olur (Şek. 27).

## 10 Garanti ve servis

Servise ya da daha fazla bilgiye ihtiyaç duyarsanız veya bir sorunla karşılaşırsanız, [www.philips.com/support](http://www.philips.com/support) adresindeki Philips web sitesini ziyaret edin veya ülkenizde bulunan Philips Müşteri Destek Merkezi ile iletişim kurun. Telefon numarasını dünya çapında geçerli garanti belgesinde bulabilirsiniz. Ülkenizde bir Müşteri Destek Merkezi yoksa, yerel Philips bayiine başvurun.

---

# 11 Sorun giderme

Bu bölüm, cihazda en sık karşılaşılabileceğiniz sorunları özetlemektedir. Sorunu aşağıdaki bilgilerle çözemiyorsanız, sık sorulan sorular listesi için [www.philips.com/support](http://www.philips.com/support) adresini ziyaret edin veya ülkenizdeki Müşteri Destek Merkezi ile iletişim kurun.

## **Kahve hazırlamak normalden daha uzun zaman alıyor.**

Cihaz kirecinin temizlenmesi gerek (Bkz. 'Kireç Temizleme' bölümü).

## **Kahve makinesi, su haznesi boşalmadan kapanıyor.**

Cihaz kirecinin temizlenmesi gerek (Bkz. 'Kireç Temizleme' bölümü).

## **Kahve yapımı sırasında sürahi cihazdan çıkarıldığında filtre taşar.**

Filtrenin taşmasını önlemek için, sürahiyi 30 saniyeden uzun süre için çıkarmayın.

## **Kahve filtreden geçiyor ancak sürahiye akıyor.**

Karıştırma çubuğunun tıkanmış olup olmadığını kontrol edin.



