

FPMA-DTBW200

SPECIFICATIONS

GENERAL

Min. screen size*	10 inch
Max. screen size*	30 inch
Min. weight	0 kg (per screen)
Max. weight	10 kg (per screen)
Screens	1
VESA minimum	75x75 mm
VESA maximum	100x100 mm

FUNCTIONALITY

Type	Tilt Rotate Swivel Full motion
Depth adjustment	12 cm
Tilt (degrees)	180°
Swivel (degrees)	180°
Rotate (degrees)	270°
Adjustment type	None

INFORMATION

Color	Grey
Main material	Steel
Warranty	5 year
EAN code	8717371442286

*Please note: The inch sizes stated are just an indication, combined with the weight and VESA sizes. The maximum weight and VESA size are absolute restrictions for the products and should not be exceeded.

NEOMOUNTS TOOLBAR MOUNT



Neomounts

Neomounts Tilt/Turn/Rotate Monitor Mount for use with FPMA-DTB100/FPMA-DTB200/FPMA-WTB100 Toolbars - for single 10-30" Screen - Silver

The Neomounts toolbar mount, model FPMA-DTBW200 is a tilt-, swivel and rotatable mount for flat screens up to 30". This mount is a great choice to use in combination with Neomounts' toolbar model FPMA-DTB100, FPMA-DTB200 or FPMA-WTB100.

Neomounts versatile tilt (180°), rotate (270°) and swivel (180°) technology allows the mount to change to any viewing angle to fully benefit from the capabilities of the flat screen. Depth 12 centimetres. An innovative cable management conceals and routes cables from mount to flat screen. Hide your cables to keep the workplace nice and tidy.

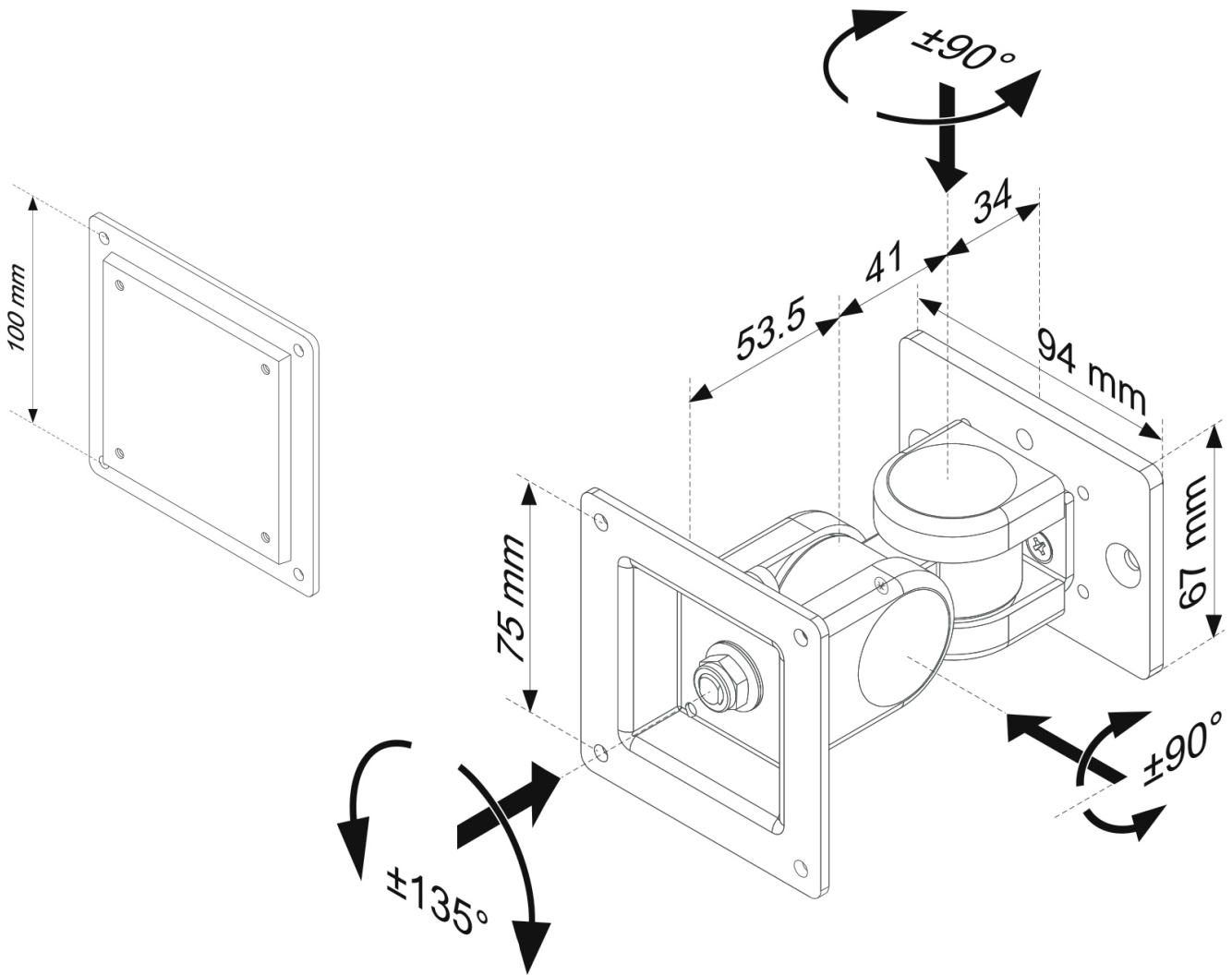
FPMA-DTBW200 has two pivot points and is suitable for screens up to 30" (76 cm). The weight capacity of this mount is 10 kg each screen. The toolbar mount is suitable for screens that meet VESA hole pattern 75x75 and 100x100. Different hole patterns can be covered using Neomounts VESA adapter plates.

By using an ergonomic mount neck- and back complaints can be avoided. Ideal for use in offices and on counters or in a reception area.

All installation material is included with the product.

FPMA-DTBW200

NEOMOUNTS TOOLBAR MOUNT



Measuring unit: mm