



BTV114

FLAT SCREEN WALL MOUNT WITH DOUBLE ARM

DOUBLE ARM FOR EXTENDED REACH



Designed to wall mount small sized screens, this double arm wall mount features a tilting interface and three swivel points, allowing quick and easy repositioning of screens as required - whether folded flat against the wall at a depth of 77mm or at maximum extension. Cable management is included to help make a neat and tidy mounting solution which is ideal for home installations as well as commercial applications.

SPECIFICATION

Recommended Screen Size	up to 23"
Max Load	15kg
VESA® compatibility	up to 100 x 100
Screen Rotation	360°
Tilt	+/-15°
Swivel	180°
Extension	77 - 385mm
Colour	Black

FEATURES

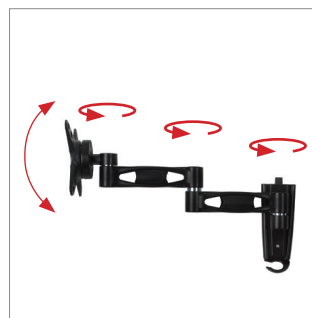
- Double arm for extended reach - ideal for corner mounting
- Folds flat to the wall
- Interface features tilt, swivel and screen rotation
- Integrated cable management
- Integrated spirit level for easy wall plate levelling during installation
- Simple 'hook-on' installation
- All mounting hardware included



Screen mounting up to VESA 100 x 100mm



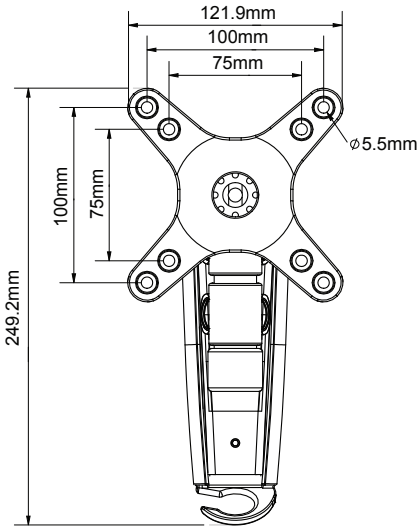
Integrated cable management and spirit level included



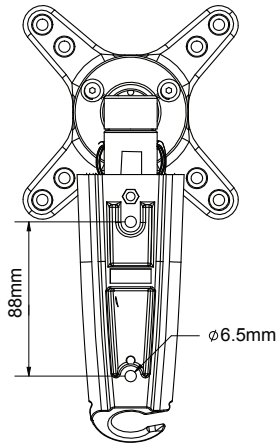
Features swivel and up / down tilt



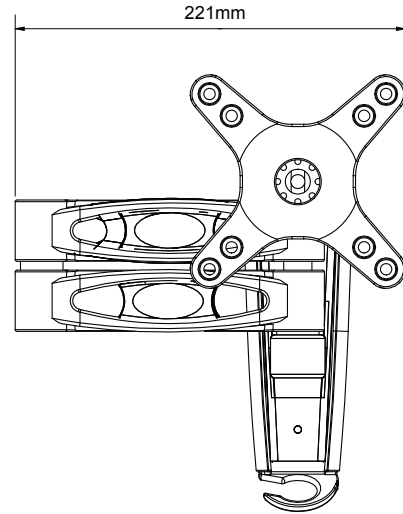
Interface allows screen rotation of 360°



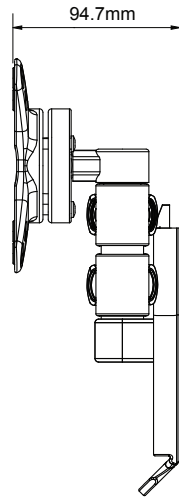
FRONT VIEW



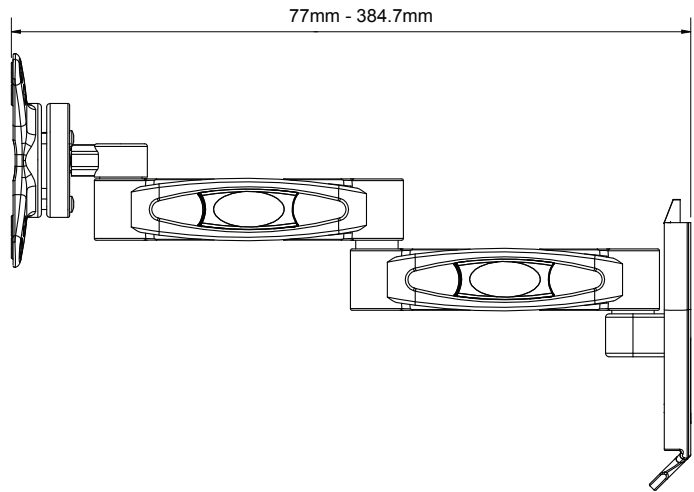
REAR VIEW



FRONT VIEW WITH ARM FOLDED FLAT



SIDE VIEW WITH ARM FOLDED



SIDE VIEW WITH ARM EXTENDED

PACKING INFORMATION

COLOUR:	ORDER REF:	EAN CODE:	MASTER CARTON QTY:	INNER CARTON QTY:	MASTER CARTON WEIGHT:	MASTER CARTON CUBE:
Black	BTV114/B	5019318440595	12	0	19.80kg	0.063 cbm

ACCESSORIES AND SIMILAR PRODUCTS TO THE BTV114

<p>BTV920</p>	<p>BTV113</p>	<p>BTV504</p>	<p>BT7513</p>
----------------------	----------------------	----------------------	----------------------

AV Component Shelf Adjustable shelf designed for all common AV equipment

Single Arm Wall Mount with Tilt & Swivel designed for screens up to 23"

Double Arm Wall Mount with Tilt & Swivel designed for screens up to 42"

Double Arm Wall Mount with Tilt & Swivel designed for screens up to 23"

© 2016 B-Tech International Pty. Ltd. All rights reserved. The information in this specification is current technical specifications at the time of print. We warrant the information in this specification to be accurate and complete at the time of print. We do not warrant the information in this specification to be accurate and complete at any other time. B-Tech International Pty. Ltd. is not liable for loss or damage caused by improper or negligent installation, use, or repair of this product. Any reproduction or transmission of this specification is strictly prohibited unless prior written permission has been granted by B-Tech International Pty. Ltd.

SS-BTV114V2-070618