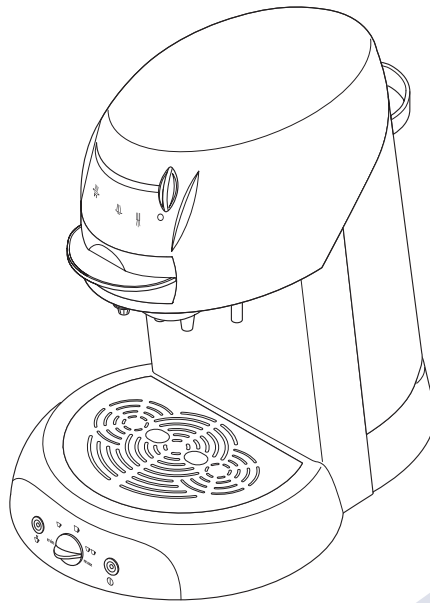
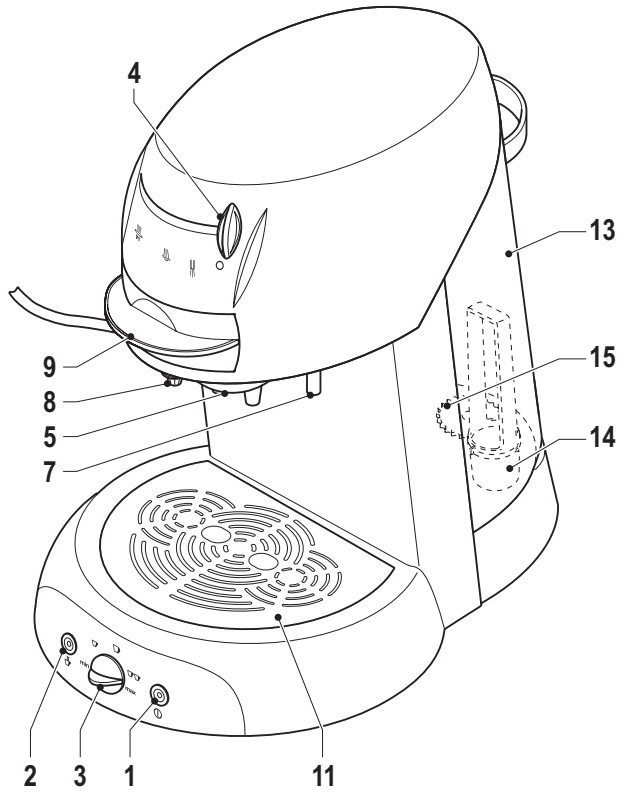
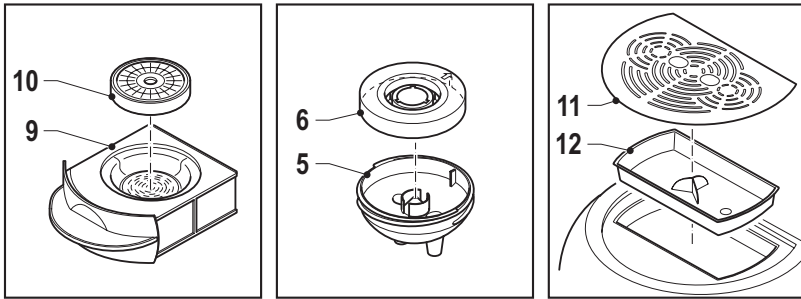

PETRA

English	6
Français	18
Deutsch	30
Italiano	43

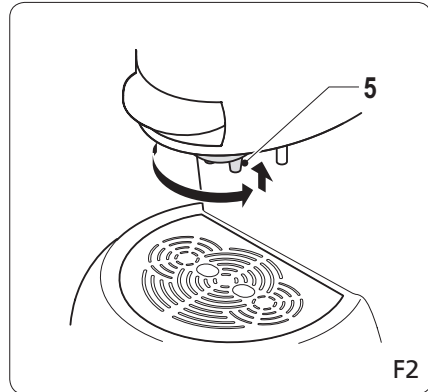
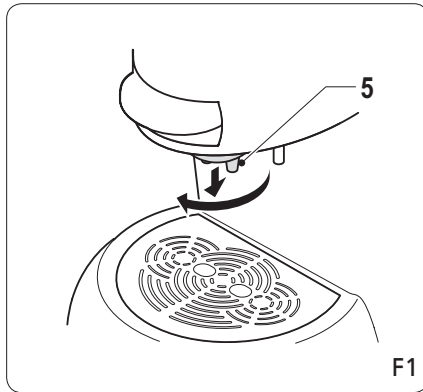
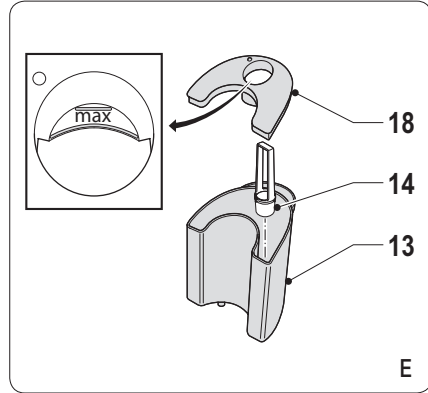
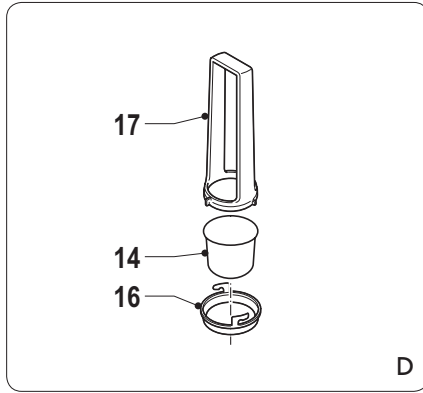
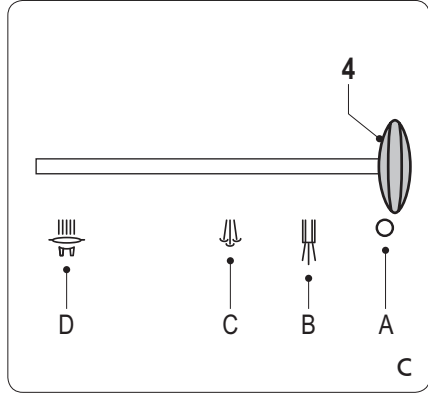
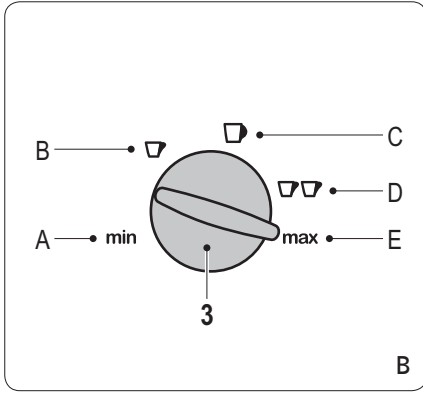


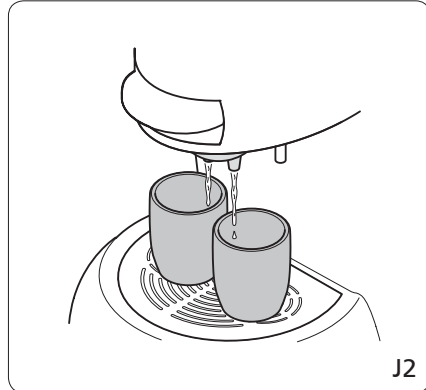
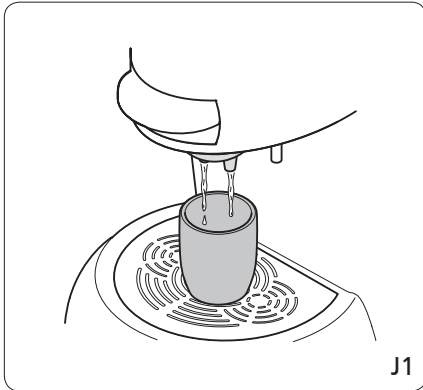
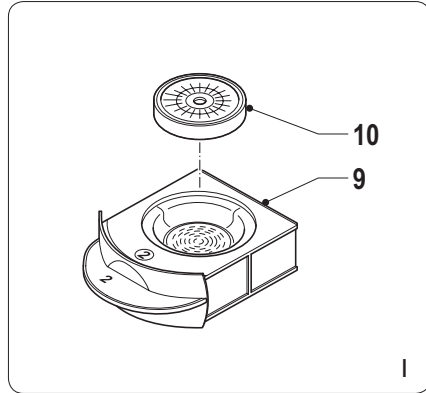
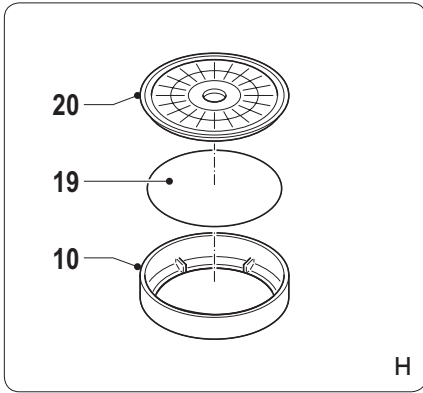
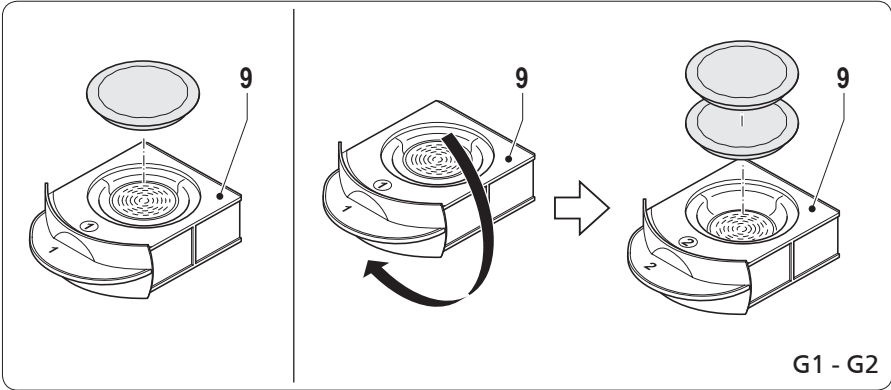
242120 [KM 42.17] Petra Kaffee-Pad-Automat

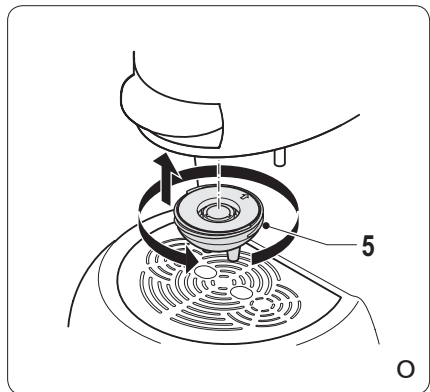
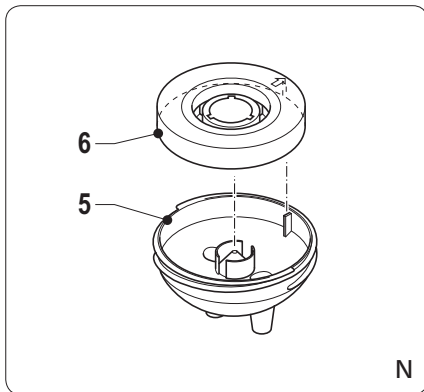
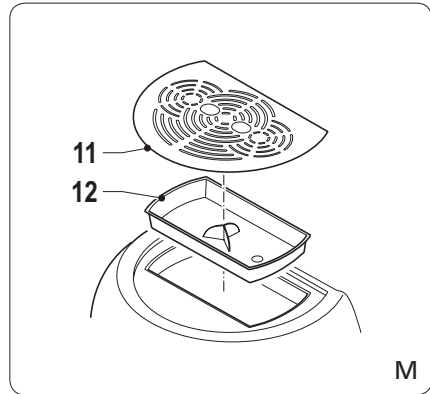
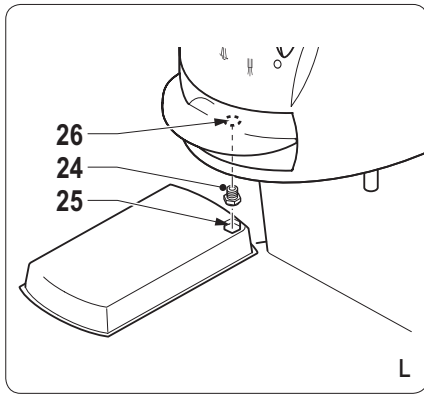
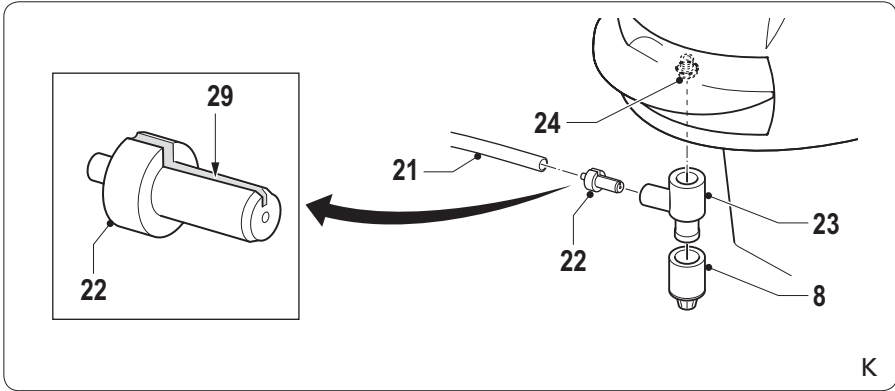


A

PETRA







Congratulations!

You have purchased a Petra product. Our aim is to provide quality products with a tasteful design and at an affordable price. We hope that you will enjoy this product for many years.

Description (fig. A)

Your 242120 Petra coffee maker has been designed for preparing various types of coffee, hot water, and hot chocolate. The appliance is suitable for indoor use only. The appliance is suitable for domestic use only.

1. On/off button
2. Start/stop button
3. Cup size selector
4. Dispenser selector
5. Coffee dispenser
6. Coffee dispenser filter
7. Hot water dispenser
8. Milk froth dispenser
9. Coffee pad cassette
10. Ground coffee cassette
11. Cup tray
12. Drip tray
13. Water reservoir
14. Anti-scaling filter
15. Anti-scaling filter replacement indicator

Initial use

Preparation

- Clean the coffee dispenser in soapy water.
- Clean the coffee pad cassette and the ground coffee cassette in soapy water.
- Clean the cup tray and the drip tray in soapy water.
- Clean the water reservoir and the lid of the water reservoir in soapy water.
- Rinse the accessories under running water.

Mounting the anti-scaling filter and the water reservoir (fig. A, D & E)

- Insert the anti-scaling filter (14) into the ring (16).
- Place the filter holder (17) on the ring (16). Lock the filter holder (17) by turning it clockwise.

- Place the anti-scaling filter (14) in the water reservoir (13). Lock the anti-scaling filter (14) by pressing it down until it clicks into place.
- Place the lid (18) on the water reservoir (13).
- Place the water reservoir (13) in the appliance.

Deventilation (fig. A, C & E)

The appliance must be deventilated before first use. Deventilation is only required for new appliances.

Before you proceed, we need you to pay attention to the following notes:

- Be careful with hot water and steam to avoid burns. Hot steam can escape from the milk froth dispenser during the heating process.

Before you proceed, we would like you to focus your attention on the following notes:

- Only fill the water reservoir with fresh cold water. Do not use carbonated water or other liquids to fill the water reservoir.
- Do not exceed the maximum mark when you fill the water reservoir.

- Fill the water reservoir (13) with water up to the maximum mark in the filling opening of the lid (18).
- Place the lid (18) on the water reservoir (13).
- Place the water reservoir (13) in the appliance.
- Place the empty coffee pad cassette (9) in the appliance.
- Place one cup under the coffee dispenser (5).
- Set the dispenser selector (4) to position 'D'. Make sure that the cup size selector (3) points upward.

Note:

If the coffee pad cassette is not inserted, the dispenser selector cannot be set to position 'D'.

- Press the on/off button (1) to switch on the appliance. The start/stop button (2) flashes green.
- Briefly press the start/stop button (2) to start the deventilation. The water starts to flow out of the coffee dispenser (5) after approximately 25 seconds. The pump switches off automatically.

- Set the dispenser selector (4) to position 'D'. The water is heated until the start/stop button (2) changes from red to green after approximately 80 seconds.
- Place one cup under the hot water dispenser (7) and one cup under the milk froth dispenser (8).
- Set the dispenser selector (4) to position 'B'.
- Briefly press the on/off button (1) and the start/stop button (2) at the same time.
- If the cup under the hot water dispenser (7) is full, set the dispenser selector (4) to position 'C' while the pump is running. The pump switches off automatically.
- Set the dispenser selector (4) to position 'A'. The water is heated until the start/stop button (2) changes from red to green.

Designation of the indicators

Component	Indication	Designation
On/off button (1)	Yellow	Descaling program.
	Yellow flashing	Descale the appliance.
	Blue	Active steam mode.
Start/stop button (2)	Blue flashing	Descale the appliance.
	Red	Steam mode is not possible.
	Red flashing	The appliance is heating or rinsing.
	Green	Fill the water reservoir.
	Green flashing	The appliance is ready for use.
		Bleed the new appliance.

Switching on and off (fig. A)

- To switch on the appliance, press the on/off button (1). The start/stop button (2) flashes red. The start/stop button (2) becomes green when the appliance is ready for use.
- To switch off the appliance at any time, press the on/off button (1) again.

Automatic switch-off function

The appliance switches off automatically if it has not been used for a period of 60 minutes.

Water level indicator (fig. A)

The fresh water supply is monitored continuously by a float which moves up and down in the water reservoir (13). The start/stop button (2) flashes red when the level comes below the required minimum filling quantity. The process will resume when the filled water reservoir (13) has been placed back in the appliance.

Pre-brewing function

The pre-brewing function makes sure that the appliance initially only supplies a small quantity of water. The coffee-making process continues after a short interval.

Setting the cup size (fig. B)

The cup size selector is used to set the required quantity of water to be delivered from the appliance.

- Set the cup size selector (3) to the required position. Refer to the table below to set the correct cup size.

Setting	Cup size
A	1 cup of espresso
B	1 normal cup of coffee
C	1 large cup of coffee
D	2 normal cups of coffee
E	1 extra large cup of coffee

Selecting the dispenser (fig. C)

The dispenser selector is used to select the required dispenser for the type of beverage to be made.

- Before you proceed, we would like you to focus your attention on the following notes:
- Set the dispenser selector (4) to position 'A' after each use.
 - Set the dispenser selector (4) to the required position. Refer to the table below to select the correct dispenser.

Setting	Function
A	OFF
B	Hot water dispenser
C	Milk froth dispenser
D	Coffee dispenser

Adjusting the coffee dispenser height (fig. F)

The height of the coffee dispenser can be adjusted to meet your coffee-brewing requirements.

- Turn the coffee dispenser (5) clockwise to lower the coffee dispenser (fig. F1).
- Turn the coffee dispenser (5) counterclockwise to raise the coffee dispenser (fig. F2).

Making coffee with coffee pads (fig. A, B, C, G & J)

Use conventional coffee pads with an outer diameter of 7 cm.

Before you proceed, we would like you to focus your attention on the following notes:

- Do not use the following types of coffee pads:
 - coffee pads with an outer diameter smaller than 7 cm;
 - hard coffee pads for espresso makers;
 - coffee pads with additives for cappuccino, etc.
- Do not put damaged coffee pads, loose ground coffee or instant coffee into the coffee pad cassette.

Before you proceed, we would like you to focus your attention on the following notes:

- Follow the instructions below to put coffee pads into the coffee pad cassette:
 - Use the side marked '1' on the coffee pad cassette for one cup of coffee. Use the side marked '2' on the coffee pad cassette for two cups of coffee.
 - Lightly tap the coffee pad with your fingertips to evenly distribute the ground coffee in the coffee pad. Make a small indentation in the centre of the coffee pad.
 - Put asymmetrical coffee pads in the appliance with the flat side down.

- If you use two coffee pads at the same time, firmly press the first coffee pad into the recess of the coffee pad cassette with the paper edge facing upwards. Subsequently, put the second coffee pad into the coffee pad cassette according to the instructions above.

- Set the dispenser selector (4) to position 'A'.
- Remove the coffee pad cassette (9) from the appliance.
- Put the coffee pad in the coffee pad cassette (9).
 - For one cup, put the coffee pad in the side marked '1' on the coffee pad cassette (fig. G1).
 - For two cups, put the coffee pads in the side marked '2' on the coffee pad cassette (fig. G2).
- Insert the coffee pad cassette (9) into the appliance with the coffee pad upwards. Make sure that coffee pad does not shift.
- Place the required amount of cups under the coffee dispenser (5).
 - For one cup, place the cup under both dispenser nozzles of the coffee dispenser (fig. J1).
 - For two cups, place one cup under the left dispenser nozzle and one cup under the right dispenser nozzle of the coffee dispenser (fig. J2).
- Press the on/off button (1) to switch on the appliance. The start/stop button (2) flashes red. The start/stop button (2) becomes green when the appliance is ready for use.
- Set the dispenser selector (4) to position 'D'.
- Set the cup size selector (3) to the required position.
- Press the start/stop button (2).
- To interrupt the process, press the start/stop button (2) again.
- If the process is completed, set the dispenser selector (4) to position 'A'.

Making coffee with ground coffee (fig. A, B, C, H, I & J)

Use 5.5 - 7.5 grams of ground coffee, depending on the quality of the coffee.

- Set the dispenser selector (4) to position 'A'.
- Remove the coffee pad cassette (9) from the appliance.
- If required, insert the paper filter (19) in the ground coffee cassette (10).
- Put the ground coffee in the ground coffee cassette (10).
 - If you want regular coffee, put ground coffee in the ground coffee cassette.
 - If you want espresso, put espresso powder in the ground coffee cassette.
- Place the lid (20) on the ground coffee cassette (10).
- Put the ground coffee cassette (10) in the side marked '2' on the coffee pad cassette (9).
- Insert the coffee pad cassette (9) into the appliance with the ground coffee cassette upwards.
- Place the required amount of cups under the coffee dispenser (5).
 - For one cup, place the cup under both dispenser nozzles of the coffee dispenser (fig. J1).
 - For two cups, place one cup under the left dispenser nozzle and one cup under the right dispenser nozzle of the coffee dispenser (fig. J2).
- Press the on/off button (1) to switch on the appliance. The start/stop button (2) becomes red. The start/stop button (2) becomes green when the appliance is ready for use.
- Set the dispenser selector (4) to position 'D'.
- Set the cup size selector (3) to the required position.
- Press the start/stop button (2).
- To interrupt the process, press the start/stop button (2) again.
- If the process is completed, set the dispenser selector (4) to position 'A'.

Hot water dispenser (fig. A, B & C)

The hot water dispenser can be used for preparing tea or instant beverages.

Before you proceed, we need you to pay attention to the following notes:

- Be careful with hot water and steam to avoid burns.

- Set the dispenser selector (4) to position 'A'.
- Place the cup on the cup tray (11) directly under the hot water dispenser (7).
- Press the on/off button (1) to switch on the appliance. The start/stop button (2) becomes red. The start/stop button (2) becomes green when the appliance is ready for use.
- Set the dispenser selector (4) to position 'B'.
- Set the cup size selector (3) to the required position.
- Press the start/stop button (2).
- To interrupt the process, press the start/stop button (2) again.
- If the process is completed, set the dispenser selector (4) to position 'A'.

Milk frothing unit (fig. A, B, C & K)

The milk frothing unit combines milk, steam and air dispensing a cascade of frothy milk directly into the cup.

Before you proceed, we need you to pay attention to the following notes:

- Be careful with hot steam to avoid burns.
- Only remove the milk jug and the cup when the milk frothing process is completed. The milk frothing process does not stop immediately.

Before you proceed, we would like you to focus your attention on the following notes:

- Only use the milk frothing unit under the following conditions:
 - The milk frothing unit must be properly assembled.
 - The milk frothing unit must be properly mounted to the appliance.
 - A cup must be placed directly under the milk froth dispenser.
 - A suitable milk jug filled with a sufficient amount of cold milk must be placed as close to the left side of the appliance as possible. The flexible tube must reach the bottom of the milk jug.

- Set the dispenser selector (4) to position 'A'.
- Fill the milk jug with a sufficient amount of cold milk.
- Place the milk jug as close to the left side of the appliance as possible.

- Make sure that the flexible tube (21) reaches the bottom of the milk jug.
- Place the cup on the cup tray (11) directly under the milk froth dispenser (8).
 - Press the on/off button (1) to switch on the appliance. The start/stop button (2) flashes red. The start/stop button (2) becomes green when the appliance is ready for use.
 - Set the dispenser selector (4) to position 'C'. The on/off button (1) becomes blue. The start/stop button (2) flashes red. The start/stop button (2) becomes green when the appliance is ready for use.
 - Set the cup size selector (3) to the required position.
 - Press the start/stop button (2).
 - To interrupt the process, press the start/stop button (2) again.
 - If the process is completed, set the dispenser selector (4) to position 'A'.

Hints for use (fig. A & H)

Espresso

Espresso is a concentrated type of coffee brewed by forcing hot water or steam under pressure through finely ground coffee. The defining characteristics of espresso include:

- a higher coffee strength than regular coffee
- a higher amount of dissolved solids than regular coffee
- a smaller amount of coffee in one cup than regular coffee (25 - 30 ml)
- Use coffee pads with a stronger type of roasted coffee or use espresso powder in the ground coffee cassette.
- Set the cup size selector (3) to the required position:
 - For a regular espresso, set the cup size selector (3) to position 'A'.
 - For a long espresso, set the cup size selector (3) in the centre between position 'A' and 'B'.

Cappuccino

Cappuccino is a type of coffee that consists of 1/3 espresso, 1/3 hot milk, and 1/3 frothed milk.

- Prepare an espresso in a preheated cup (150 - 200 ml) as described above.

- Set the cup size selector (3) to position 'A'.
- Add the frothed milk to the espresso.
- Sprinkle some cacao powder on top of the frothed milk.
- As a Christmas specialty, sprinkle some cinnamon on top of the frothed milk.

Latte macchiato

Latte macchiato is essentially an inverted caffè latte, with the espresso poured on top of the milk.

- Set the cup size selector (3) to position 'B'.
- Put the frothed milk into a glass (200 - 250 ml).
- Leave the glass for a short period or gently nudge the glass to obtain a better separation of the layers.
- Prepare an espresso in the glass as described above.
- If you do not obtain different layers immediately, attempt to guide the coffee over the back of a spoon into the frothed milk.
- Sprinkle some chocolate flakes or cacao powder on top of the frothed milk.

Café mocha

Café mocha is a type of coffee that consists of 1/3 espresso, 1/3 hot chocolate, and 1/3 frothed milk.

- Prepare an espresso in a preheated cup (150 - 200 ml) as described above.
- Set the cup size selector (3) to position 'A'.
- Add the hot chocolate to the espresso.
- Add the frothed milk to the espresso with hot chocolate.

Frothed cacao

- Put fresh milk in a suitable milk jug.
- Add the required amount of instant cacao powder to the milk.
- Stir the cacao powder through the milk directly in the milk jug.
- Froth the milk with the cacao powder.

Cleaning and maintenance

Before you proceed, we need you to pay attention to the following notes:

- Before cleaning or maintenance, always switch off the appliance and remove the mains plug from the wall socket.
- Do not immerse the appliance in water or any other liquids.

Before you proceed, we would like you to focus your attention on the following notes:

- Do not use aggressive or abrasive cleaning agents to clean the appliance and the various parts of the appliance.
- Do not use sharp objects to clean the appliance.
- Regularly check the appliance for possible damage.
- Clean the outside of the appliance with a soft, damp cloth. Thoroughly dry the outside of the appliance with a clean, dry cloth.
- Clean the accessories:
 - Clean the coffee dispenser in soapy water.
 - Clean the coffee pad cassette and the ground coffee cassette in soapy water.
 - Clean the cup tray and the drip tray in soapy water.
 - Clean the water reservoir and the lid of the water reservoir in soapy water.
 - Rinse the accessories under running water.
 - Thoroughly dry the accessories with a clean, dry cloth.

Cleaning the water reservoir (fig. A, C & E)

The water reservoir (13) must be cleaned if it has not been used for a couple of days.

- Fill the water reservoir (13) with water up to the maximum mark in the filling opening of the lid (18).
- Place the lid (18) on the water reservoir (13).
- Place the water reservoir (13) in the appliance.
- Place the empty coffee pad cassette (9) in the appliance.
- Place two cups under the coffee dispenser (5).
- Set the dispenser selector (4) to position 'D'.
- Press the on/off button (1) to switch on the appliance.

- Briefly press the on/off button (1) and the start/stop button (2) at the same time. The pump switches off automatically.
- Set the dispenser selector (4) to position 'A'.

Cleaning the coffee dispenser filter (fig. A)

The quality of the cream layer reduces when the coffee dispenser filter is clogged by calcium or coffee residue. The coffee dispenser filter must be cleaned regularly.

Before you proceed, we would like you to focus your attention on the following notes:

- If the two filters of the coffee dispenser filter are pressed against each other, replace the coffee dispenser filter.
- Clean the coffee dispenser filter (6) in soapy water using a soft brush to remove coffee residue.
- Pour a small amount of descaling agent through the opening of the coffee dispenser filter (6) to remove calcium.
- Rinse the coffee dispenser filter (6) under running water.

Cleaning the milk frothing unit (fig. A, B, C & K)

Directly after use

The milk frothing unit must be cleaned directly after use, unless the appliance is used again within a period of 30 minutes.

- Clean the air channel (29) in the tube adapter (22) of the milk frothing unit after each use.
- Put the flexible tube (21) into a cup with cold water.
- Place another cup under the milk froth dispenser (8).
- Set the dispenser selector (4) to position 'C'. The on/off button (1) becomes blue. The start/stop button (2) flashes red. The start/stop button (2) becomes green when the appliance is ready for use.
- Set the cup size selector (3) to position 'D'.
- Press the start/stop button (2).
- If the process is completed, set the dispenser selector (4) to position 'A'.

After final use

The milk frothing unit must be cleaned daily after the last milk frothing process.

- Remove the milk frothing unit from the appliance.
- Disassemble the milk frothing unit.
- Clean the parts of the milk frothing unit in soapy water using a soft brush.
- Fully dry the parts of the milk frothing unit.
- Assemble the milk frothing unit.
- Mount the milk frothing unit to the appliance.

Cleaning the steam valve (fig. A & L)

The steam valve must be cleaned monthly or when the appliance clearly produces less steam.

- Use the hexagonal key (25) at the underside of the drip tray (12) to remove the steam valve (24) from the steam outlet (26).
- Clean the steam valve (24) using the descaling agent. Rinse the steam valve under running water.
- Manually screw the steam valve (24) back to the steam outlet (26).

Replacing the anti-scaling filter (fig. A, D & E)

The anti-scaling filter (ACF 30) is available from our service station. The anti-scaling filter removes chlorine and other contaminants from the water for a pure coffee taste.

The anti-scaling filter must be replaced every three months at an average daily consumption of 8 cups of coffee (approximately 700 cups).

- Remove the water reservoir (13) from the appliance.
- Remove the lid (18) from the water reservoir (13).
- Remove the anti-scaling filter (14) from the water reservoir (13).
- Remove the anti-scaling filter (14) from the filter holder (17) and the ring (16).
- Rinse the new anti-scaling filter (14) under running water.
- Insert the anti-scaling filter (14) into the ring (16).

- Place the filter holder (17) on the ring (16). Lock the filter holder (17) by turning it clockwise.
- Place the anti-scaling filter (14) in the water reservoir (13). Lock the anti-scaling filter (14) by pressing it down until it clicks into place.
- Place the lid (18) on the water reservoir (13).
- Place the water reservoir (13) in the appliance.

The time interval for the next filter replacement can be set using the anti-scaling filter replacement indicator (15).

- Turn the anti-scaling filter replacement indicator (15) clockwise to set the next time interval for replacement of the anti-scaling filter.

Descaling (fig. A, C, E & L)

The appliance has an automatic descaling indicator which informs the user when descaling is required. If the on/off button flashes yellow, the appliance must be descaled. It is still possible to brew coffee and prepare hot water, but milk frothing is no longer possible.

The automatic descaling program of the appliance is optimised to be used for 125 ml of durgol® swiss espresso®. The product is used undiluted, is highly effective and guarantees a reliable descaling and therefore a long operational life of the appliance. The descaling agent is available from our service station.

Before you proceed, we need you to pay attention to the following notes:

- Be careful when descaling the appliance to prevent damage to furniture or clothing. Use cups that are as large as possible and place the cups under the respective dispensers in such a way as to prevent splatters.

Before you proceed, we would like you to focus your attention on the following notes:

- Only use durgol® swiss espresso® in the specified quantity to descale the appliance.
- Do not use vinegar or vinegar concentrate to descale the appliance.

- Do not use citric acid to descale the appliance.

Hardness range setting

The appliance can be set to various water hardness settings. The factory setting of the water hardness is 4. Contact your waterworks company or your local authorities for the water hardness range in your area. If the water hardness range in your area is lower than 4, the water hardness setting can be changed to reduce the number of times that the appliance must be descaled.

- Use the on/off button (1) to set the appliance to the water hardness in your area. Refer to the table below to set the correct water hardness range.

Flashing signal	Water hardness range	Water hardness (°dH)
...	1 (soft)	0 - 7
... ..	2 (medium)	7 - 14
... .. .	3 (hard)	14 - 21
...	4 (very hard)	above 21

- Press the on/off button (1) to switch off the appliance.
- Press the start/stop button (2) for 3 - 5 seconds until the on/off button (1) flashes yellow.
- Press the start/stop button (2) to increase the water hardness range by one level. (Range 4 is followed by range 1, etc.)
- Briefly press the on/off button (1) save the new water hardness range. If you do not press the on/off button within ten seconds, the appliance switches off automatically without saving the setting.
- Repeat the first two steps to check the water hardness range.

Automatic descaling program

The appliance has an automatic descaling program that lasts for 25 - 30 minutes. The descaling program has two phases: 1 = descaling phase; 2 = rinsing phase.

Before you proceed, we need you to pay attention to the following notes:

- If the automatic descaling program is started, the programme cannot be interrupted. In case of an emergency, remove the mains plug from the wall socket.

Preparation (fig. A, C, E & L)

- Use the hexagonal key (25) at the underside of the drip tray (12) to remove the steam valve (24) from the steam outlet (26).
- Remove the anti-scaling filter (14) from the water reservoir (13).
- Fill the empty water reservoir (13) with 125 ml of descaling agent.
- Put the steam valve (24) in the water reservoir.
- Place the lid (18) on the water reservoir (13).
- Place the water reservoir (13) in the appliance.
- Insert the empty coffee pad cassette (9) into the appliance.
- Set the dispenser selector (4) to position 'B'. Make sure that the cup size selector (3) points upward.
- Place a large mug (min. 250 ml) under the hot water dispenser (7).

Descaling phase (fig. A, C, E & L)

The descaling phase consists of three parts: 1 = hot water function; 2 = coffee function; 3 = steam function.

Part 1 - Hot water function

- Press the on/off button (1) to switch on the appliance.
- Press the on/off button (1) and the start/stop button (2) at the same time for 3 - 4 seconds.

The pump runs for one second three times per minute. The on/off button remains illuminated yellow as long as the descaling program is running.

Part 2 - Coffee function

The start/stop button (2) flashes green after approximately five minutes.

- Put the liquid in the mug back into the water reservoir (13).
- Place the mug under the coffee dispenser (5).

- Set the dispenser selector (4) to position 'D'.
- Press the start/stop button (2).

Part 3 - Steam function

The start/stop button (2) flashes green after approximately five minutes.

- Put the liquid in the mug back into the water reservoir (13).
- Place the mug under the steam outlet (26).
- Set the dispenser selector (4) to position 'C'.
- Press the start/stop button (2).

The start/stop button (2) flashes red after approximately five minutes. The automatic descaling program is completed.

Rinsing phase (fig. A, C, E & L)

In the rinsing phase, the descaling agent is rinsed out under running water. The rinsing phase consists of seven rinsing cycles. If the rinsing phase is completed, the appliance switches off automatically.

If the start/stop button flashes red during the rinsing phase, the rinsing is interrupted and the water reservoir must be filled with water up to the maximum mark.

- Remove the steam valve (24) from the water reservoir (13).
- Rinse the water reservoir (13).
- Fill the water reservoir (13) with water up to the maximum mark.
- Place the mug under the coffee dispenser (5).
- Set the dispenser selector (4) to position 'D'. The start/stop button (2) flashes green.
- Press the start/stop button (2). The coffee dispenser (5) is being rinsed.
- If the start/stop button (2) flashes green, place the mug under the hot water dispenser (7).
- Set the dispenser selector (4) to position 'B'. The start/stop button (2) flashes green.
- Press the start/stop button (2). The hot water dispenser (7) is being rinsed.
- If the start/stop button (2) flashes green, place the mug under the steam outlet (26).
- Set the dispenser selector (4) to position 'C'. The start/stop button (2) flashes green.
- Press the start/stop button (2). The steam outlet (26) is being rinsed.

- If the start/stop button (2) flashes green, place the mug under the coffee dispenser (5).
- Set the dispenser selector (4) to position 'D'. The start/stop button (2) flashes green.
- Press the start/stop button (2). The coffee dispenser (5) is being rinsed.
- If the start/stop button (2) flashes green, place the mug under the hot water dispenser (7).
- Set the dispenser selector (4) to position 'B'. The start/stop button (2) flashes green.
- Press the start/stop button (2). The hot water dispenser (7) is being rinsed.
- If the start/stop button (2) flashes green, place the mug under the steam outlet (26).
- Set the dispenser selector (4) to position 'C'. The start/stop button (2) flashes green.
- Press the start/stop button (2). The steam outlet (26) is being rinsed.
- If the start/stop button (2) flashes green, place the mug under the coffee dispenser (5).
- Set the dispenser selector (4) to position 'D'. The start/stop button (2) flashes green.
- Press the start/stop button (2). The coffee dispenser (5) is being rinsed.

Finalisation (fig. L)

- Rinse the steam valve (24).
- Manually screw the steam valve (24) back to the steam outlet (26).

Assembly

Before you proceed, we need you to pay attention to the following notes:

- Before assembly or disassembly, switch off the appliance and remove the mains plug from the wall socket.

Mounting the drip tray and the cup tray (fig. M)

- Place the drip tray (12) in the bottom of the appliance.
- Place the cup tray (11) above the drip tray (12) in the bottom of the appliance.

Mounting the coffee dispenser (fig. N & O)

- Place the coffee dispenser filter (6) in the coffee dispenser (5).
- Mount the coffee dispenser (5) to the appliance by turning it counterclockwise.

Mounting the coffee pad cassette

- If you use coffee pads, refer to the chapter "Making coffee with coffee pads".
- If you use ground coffee, refer to the chapter "Making coffee with ground coffee".

Mounting the milk frothing unit (fig. K)

- Slide the flexible tube (21) over the tube adapter (22).
- Insert the tube adapter (22) into the milk froth dispenser adapter (23).
- Mount the milk froth dispenser adapter (23) to the steam valve (24).
- Mount the milk froth dispenser (8) to the milk froth dispenser adapter (23).

Troubleshooting

Refer to the table below to solve problems yourself. If you are not able to solve the problem yourself, contact our service station.

- The red light flashes, but the water reservoir is filled.
 - Empty the water reservoir.
 - Shake the empty water reservoir to check whether the float moves freely.
 - Clean or descale the water reservoir.
- The rinsing process cannot be started.
 - Make sure that the water in the water reservoir is cold.
 - Set the dispenser selector to position 'C'.
- No water runs from the dispenser outlet during the rinsing process.
 - Set the dispenser selector to position 'D'.
- The dispenser selector jams long before the dispenser selector is in position 'D'.
 - Make sure that the coffee pads are correctly placed in the coffee pad cassette.
- Water escapes from the coffee pad cassette.
 - Make sure that the coffee pads are correctly placed in the coffee pad cassette.
- Water comes under the appliance.
 - Empty the drip tray.
 - Only fill the water reservoir up to the maximum mark.
 - Only remove the water reservoir from the appliance briefly for filling or cleaning.
- The coffee is too weak.
 - Choose a stronger type of coffee.
 - Set a lower coffee quantity using the coffee quantity selector.
 - Make sure that the coffee pads are correctly placed in the coffee pad cassette.
- The coffee is too strong.
 - Choose a weaker type of coffee.
 - Set a higher coffee quantity using the coffee quantity selector.
- The cream layer is deteriorating.
 - Regularly clean and descale the coffee dispenser filter.
 - If the two filters of the coffee dispenser filter are pressed against each other, replace the coffee dispenser filter.
- No coffee emerges, but the pump is operating.
 - Move the dispenser selector to the left as far as possible.
 - Make sure that the central opening of the coffee pad cassette is not clogged by calcium or coffee residue.
- Hot water cannot be removed.
 - Set the dispenser selector to position 'B'.
- The water in the water reservoir heats up.
 - Set the dispenser selector to position 'B' or 'D'.
 - Make sure that the central opening of the coffee pad cassette is not clogged by calcium or coffee residue.
- The appliance switches off after heating.
 - If the coffee-making temperature is not achieved during heating, the appliance will switch off after approximately 2 minutes.
 - Do not use the appliance in locations higher than 1,500 m above sea level.
- The dispenser selector cannot be set to position 'A'. No coffee emerges while the pump is operating.
 - Remove the mains plug from the wall socket and leave the appliance for several hours to reduce the pressure.

- If this does not work, remove all removable parts, place the appliance on its side, and open the central opening of the coffee pad cassette from below with a needle. Be careful: coffee may spray out during the process.
- The coffee quantity is reduced.
 - Move the dispenser selector to the left as far as possible.
 - Make sure that the central opening of the coffee pad cassette is not clogged by calcium or coffee residue.
- The milk froth does not develop.
 - Clean the milk frothing unit.
 - Clean the steam valve.
- The milk froth splatters extremely.
 - Make sure that the milk frothing unit is assembled and mounted correctly.
- The milk froth runs continuously.
 - If you use a milk jug in which the milk reaches higher than the milk froth dispenser adapter, the milk jug is suctioned dry after frothing milk: Make sure that the milk jug is not higher than 14 cm.
- Do not use the appliance near bathtubs, showers, basins or other vessels containing water.
- Do not immerse the appliance in water or other liquids. If the appliance is immersed in water or other liquids, do not remove the appliance with your hands. Immediately remove the mains plug from the wall socket. If the appliance is immersed in water or other liquids, do not use the appliance again.

Electrical safety

- Before use, always check that the mains voltage is the same as the voltage on the rating plate of the appliance.
- The appliance is not intended to be operated by means of an external timer or separate remote-control system.
- Connect the appliance to an earthed wall socket. If necessary, use an earthed extension cable of a suitable diameter (at least 3 x 1 mm²).
- Make sure that water cannot enter the contact plugs of the mains cable and the extension cable.
- Always fully unwind the mains cable and the extension cable.
- Make sure that the mains cable does not hang over the edge of a worktop and cannot be caught accidentally or tripped over.
- Keep the mains cable away from heat, oil and sharp edges.
- Do not use the appliance if the mains cable or the mains plug is damaged or defective. If the mains cable or the mains plug is damaged or defective, it must be replaced by the manufacturer or an authorised repair agent.
- Do not pull the mains cable to disconnect the mains plug from the mains.
- Disconnect the mains plug from the mains when the appliance is not in use, before assembly or disassembly and before cleaning and maintenance.

Safety instructions

General safety

- Read the manual carefully before use. Keep the manual for future reference.
- Only use the appliance and the accessories for their intended purposes. Do not use the appliance and the accessories for other purposes than described in the manual.
- Do not use the appliance if any part or any accessory is damaged or defective. If a part or an accessory is damaged or defective, it must be replaced by the manufacturer or an authorised repair agent.
- Children should be supervised to ensure that they do not play with the appliance.
- The use of this appliance by children or persons with a physical, sensory, mental or motorial disability, or lack of experience and knowledge can give cause to hazards. Persons responsible for their safety should give explicit instructions or supervise the use of the appliance.
- Do not use the appliance outdoors.
- Do not use the appliance in damp environments.

- Only use the appliance in frost-free environments if the appliance is filled with water.
- Place the appliance on a stable and flat surface.
- Place the appliance on a heat-resistant and splash-proof surface.
- Do not place the appliance on a hob.
- Do not place the appliance on hot surfaces or near open flames.
- Make sure that the appliance does not come into contact with flammable material.
- Keep the appliance away from heat sources.
- Be careful with hot water and steam to avoid burns.
- Store the appliance in a dry place when not in use. Make sure that children do not have access to stored appliances.

U.K. Wiring instructions


The wires in the mains lead are coloured in accordance with the following code:

BLUE	NEUTRAL
BROWN	LIVE
GREEN/YELLOW	EARTH

As the colours of the wire in the mains lead of this appliance may not correspond with the colour markings identifying the terminals on your plug, proceed as follows:

The wire which is coloured BLUE must be connected to the terminal which is marked with the letter N or coloured black.

The wire which is coloured BROWN must be connected to the terminal which is marked with the letter L or coloured red.

The wire which is coloured GREEN/YELLOW must be connected to the terminal which is marked with the letter E or  and is coloured GREEN or GREEN/YELLOW.

Warning! This appliance must be earthed.

Disclaimer

Subject to change; specifications can be changed without further notice.

Félicitations!

Vous avez acheté un produit Petra. Nous souhaitons vous proposer des produits de qualité associant un design raffiné et des prix accessibles. Nous espérons que vous profiterez longtemps de ce produit.

Description (fig. A)

Votre cafetière 242120 Petra a été conçue pour la préparation de divers types de cafés, eaux chaudes et chocolats chauds. L'appareil est réservé à un usage à l'intérieur. L'appareil est réservé à un usage domestique.

1. Bouton marche/arrêt
2. Bouton début/fin
3. Sélecteur de tasse
4. Sélecteur de diffuseur
5. Diffuseur de café
6. Filtre de diffuseur de café
7. Diffuseur d'eau chaude
8. Diffuseur de mousse de lait
9. Casette de doses de café
10. Casette de café moulu
11. Bac de tasse
12. Bac de collecte
13. Réservoir d'eau
14. Filtre anti-tartre
15. Témoin de remplacement de filtre anti-tartre

Utilisation initiale

Préparation

- Nettoyez le diffuseur de café à l'eau savonneuse.
- Nettoyez la cassette de doses de café et celle de café moulu à l'eau savonneuse.
- Nettoyez le bac de tasse et le bac de collecte à l'eau savonneuse.
- Nettoyez le réservoir d'eau et son couvercle à l'eau savonneuse.
- Rincez les accessoires sous l'eau courante.

Montage du filtre anti-tartre et du réservoir d'eau (fig. A, D & E)

- Insérez le filtre anti-tartre (14) dans l'anneau (16).

- Placez le porte-filtre (17) sur l'anneau (16). Bloquez le porte-filtre (17) en le faisant tourner dans le sens horaire.
- Placez le filtre anti-tartre (14) dans le réservoir d'eau (13). Bloquez le filtre anti-tartre (14) en l'enfonçant jusqu'à l'enclencher.
- Placez le couvercle (18) sur le réservoir d'eau (13).
- Placez le réservoir d'eau (13) dans l'appareil.

Purge (fig. A, C & E)

L'appareil doit être purgé avant la première utilisation. La purge est uniquement nécessaire pour les appareils neufs.

Avant de procéder, vous devez faire attention aux remarques suivantes :

- Attention à l'eau chaude et à la vapeur afin d'éviter les brûlures. De la vapeur chaude peut s'échapper du diffuseur de mousse de lait pendant le processus de chauffage.

Avant de procéder, nous souhaiterions que vous preniez connaissance des remarques suivantes :

- Remplissez le réservoir d'eau uniquement avec de l'eau froide. N'utilisez pas de l'eau gazeuse ou autres liquides pour remplir le réservoir.
- Ne dépassez pas le repère maximum lorsque vous remplissez le réservoir d'eau.

- Remplissez le réservoir d'eau (13) avec de l'eau jusqu'au repère maximum par l'ouverture de remplissage du couvercle (18).
- Placez le couvercle (18) sur le réservoir d'eau (13).
- Placez le réservoir d'eau (13) dans l'appareil.
- Placez la cassette de doses de café vide (9) dans l'appareil.
- Placez une tasse sous le diffuseur de café (5).
- Positionnez le sélecteur de diffuseur (4) sur 'D'. Assurez-vous que le sélecteur de tasse (3) pointe vers le haut.

Remarque : Si la cassette de doses de café n'est pas en place, il est impossible de positionner le sélecteur de diffuseur sur 'D'.

- Appuyez sur le bouton marche/arrêt (1) pour mettre l'appareil en marche. Le bouton début/fin (2) clignote en vert.

- Appuyez brièvement sur le bouton début/fin (2) pour lancer la purge. L'eau commence à s'écouler du diffuseur de café (5) après environ 25 secondes. La pompe s'arrête automatiquement.
- Positionnez le sélecteur de diffuseur (4) sur 'D'. L'eau chauffe jusqu'au passage du bouton début/fin (2) du rouge au vert après environ 80 secondes.
- Placez une tasse sous le diffuseur d'eau chaude (7) et une autre sous le diffuseur de mousse de lait (8).
- Positionnez le sélecteur de diffuseur (4) sur position 'B'.
- Appuyez brièvement sur le bouton marche/arrêt (1) et simultanément sur le bouton début/fin (2).
- Si la tasse sous le diffuseur d'eau chaude (7) est pleine, positionnez le sélecteur de diffuseur (4) sur position 'C' avec la pompe toujours en marche. La pompe s'arrête automatiquement.
- Positionnez le sélecteur de diffuseur (4) sur position 'A'. L'eau chauffe jusqu'au passage du bouton début/fin (2) du rouge au vert.

Le bouton début/fin (2) devient vert dès que l'appareil peut être utilisé.

- Pour arrêter l'appareil à tout moment, appuyez sur le bouton marche/arrêt (1) à nouveau.

Fonction arrêt automatique

L'appareil s'arrête automatiquement s'il n'est pas utilisé pendant 60 minutes.

Témoin de niveau d'eau (fig. A)

L'alimentation en eau fraîche est suivie en continu par un flotteur qui monte et descend dans le réservoir d'eau (13). Le bouton début/fin (2) clignote en rouge si le niveau descend sous la quantité de remplissage minimum requise. Le processus se poursuit dès que le réservoir rempli d'eau (13) a été remplacé dans l'appareil.

Fonction de préparation

La fonction de préparation s'assure que l'appareil fournit initialement uniquement une faible quantité d'eau. Le processus de préparation du café continue après un bref intervalle.

Réglage de la taille des tasses (fig. B)

Le sélecteur de tasse sert à régler la quantité requise d'eau fournie par l'appareil.

- Réglez le sélecteur de tasse (3) sur la position requise. Consultez la table suivante pour la taille de tasse correcte.

Réglage	Taille de tasse
A	1 tasse d'expresso
B	1 tasse à café normale
C	1 grande tasse à café
D	2 tasses à café normales
E	1 très grande tasse à café

Sélection du diffuseur (fig. C)

Le sélecteur de diffuseur sert à sélectionner le diffuseur requis pour le type de breuvage à préparer.

Avant de procéder, nous souhaiterions que vous preniez connaissance des remarques suivantes :

- Positionnez le sélecteur de diffuseur (4) sur position 'A' après chaque utilisation.

Désignation des témoins

Composant	Indication	Désignation
Bouton marche/arrêt (1)	Jaune	Programme de détartrage
	Jaune clignotant	Détartrez l'appareil.
	Bleu	Mode vapeur actif.
	Bleu clignotant	Détartrez l'appareil. Le mode Vapeur est impossible.
Bouton début/fin (2)		Rouge
		L'appareil chauffe ou se rince.
	Rouge clignotant	Remplissez le réservoir d'eau.
	Vert	L'appareil est prêt à être utilisé.
	Vert clignotant	Purgez l'appareil neuf.

Mise en marche et arrêt (fig. A)

- Pour mettre l'appareil en marche, appuyez sur le bouton marche/arrêt (1). Le bouton début/fin (2) clignote en rouge.

- Positionnez le sélecteur de diffuseur (4) selon le breuvage à préparer. Consultez la table suivante pour sélectionner le diffuseur correct.

Réglage	Fonction
A	ARRÊT
B	Diffuseur d'eau chaude
C	Diffuseur de mousse de lait
D	Diffuseur de café

Ajustement de la hauteur du diffuseur de café (fig. F)

Vous pouvez ajuster la hauteur du diffuseur de café pour l'adapter à vos conditions spécifiques.

- Tournez le diffuseur de café (5) dans le sens horaire pour l'abaisser (fig. F1).
- Tournez le diffuseur de café (5) dans le sens anti-horaire pour le lever (fig. F2).

Préparation du café avec des doses (fig. A, B, C, G & J)

Utilisez des doses de café conventionnelles d'un diamètre de 7 cm.

Avant de procéder, nous souhaiterions que vous preniez connaissance des remarques suivantes :

- N'utilisez pas les doses de café suivantes :
 - doses de café d'un diamètre extérieur inférieur à 7 cm ;
 - doses de café dures pour machines à expresso ;
 - doses de café avec additifs pour cappuccino, etc.
- Ne placez pas de doses de café endommagées, de café moulu en vrac ou de café instantané dans la cassette de doses de café.

Avant de procéder, nous souhaiterions que vous preniez connaissance des remarques suivantes :

- Respectez les instructions suivantes pour placer les doses de café dans leur cassette :
 - Utilisez le côté marqué '1' sur la cassette de doses de café pour une tasse de café. Utilisez le côté marqué '2' sur la cassette de doses de café pour deux tasses de café.

- Tapez légèrement la dose de café avec le bout des doigts pour répartir uniformément le café moulu dans la dose. Effectuez une légère entaille au centre de la dose de café.
- Placez des doses de café asymétriques dans l'appareil avec le côté plat dirigé vers le bas.
- Si vous utilisez deux doses de café à la fois, pressez fermement la première dans le renforcement de la cassette avec le bord en papier dirigé vers le haut. Ensuite, placez la seconde dose de café dans la cassette de doses de café selon les instructions précédentes.

- Positionnez le sélecteur de diffuseur (4) sur position 'A'.
- Retirez la cassette de doses de café (9) de l'appareil.
- Placez la dose de café dans sa cassette (9).
 - Pour une tasse, placez la dose du côté marqué '1' sur la cassette de doses de café (fig. G1).
 - Pour deux tasses, placez les doses du côté marqué '2' sur la cassette de doses de café (fig. G2).
- Insérez la cassette de doses de café (9) dans l'appareil avec les doses dirigées vers le haut. Assurez-vous que les doses de café ne bougent pas.
- Placez le nombre de tasses souhaité sous le diffuseur de café (5).
 - Pour une tasse, placez-la sous les deux buses du diffuseur de café (fig. J1).
 - Pour deux tasses, placez la première sous la buse de diffuseur de café de gauche et la seconde sous celle de droite (fig. J2).
- Appuyez sur le bouton marche/arrêt (1) pour mettre l'appareil en marche. Le bouton début/fin (2) clignote en rouge. Le bouton début/fin (2) devient vert dès que l'appareil peut être utilisé.
- Positionnez le sélecteur de diffuseur (4) sur 'D'.
- Réglez le sélecteur de tasse (3) sur la position requise.
- Appuyez sur le bouton début/fin (2).
- Pour interrompre le processus, appuyez sur le bouton début/fin (2) à nouveau.

- Si le processus est terminé, positionnez le sélecteur de diffuseur (4) sur position 'A'.

Préparation du café avec du café moulu (fig. A, B, C, H, I & J)

Utilisez 5 à 7,5 grammes de café moulu selon la qualité souhaitée.

- Positionnez le sélecteur de diffuseur (4) sur position 'A'.
- Retirez la cassette de doses de café (9) de l'appareil.
- Si nécessaire, insérez le filtre en papier (19) dans la cassette de café moulu (10).
- Placez le café moulu dans sa cassette (10).
 - Pour un café normal, placez le café moulu dans sa cassette.
 - Pour un espresso, placez de la poudre pour espresso dans la cassette de café moulu.
- Placez le couvercle (20) sur la cassette de café moulu (10).
- Placez la cassette de café moulu (10) du côté marqué '2' de la cassette de doses de café (9).
- Insérez la cassette de doses de café (9) dans l'appareil avec la cassette de café moulu dirigée vers le haut.
- Placez le nombre de tasses souhaité sous le diffuseur de café (5).
 - Pour une tasse, placez-la sous les deux buses du diffuseur de café (fig. J1).
 - Pour deux tasses, placez la première sous la buse de diffuseur de café de gauche et la seconde sous celle de droite (fig. J2).
- Appuyez sur le bouton marche/arrêt (1) pour mettre l'appareil en marche. Le bouton début/fin (2) devient en rouge. Le bouton début/fin (2) devient vert dès que l'appareil peut être utilisé.
- Positionnez le sélecteur de diffuseur (4) sur 'D'.
- Réglez le sélecteur de tasse (3) sur la position requise.
- Appuyez sur le bouton début/fin (2).
- Pour interrompre le processus, appuyez sur le bouton début/fin (2) à nouveau.
- Si le processus est terminé, positionnez le sélecteur de diffuseur (4) sur position 'A'.

Diffuseur d'eau chaude (fig. A, B & C)

Le diffuseur d'eau chaude peut servir à préparer du thé ou des boissons instantanées.

Avant de procéder, vous devez faire attention aux remarques suivantes :

- Attention à l'eau chaude et à la vapeur afin d'éviter les brûlures.
- Positionnez le sélecteur de diffuseur (4) sur position 'A'.
- Placez la tasse sur le bac de tasse (11) directement sous le diffuseur d'eau chaude (7).
- Appuyez sur le bouton marche/arrêt (1) pour mettre l'appareil en marche. Le bouton début/fin (2) devient en rouge. Le bouton début/fin (2) devient vert dès que l'appareil peut être utilisé.
- Positionnez le sélecteur de diffuseur (4) sur position 'B'.
- Réglez le sélecteur de tasse (3) sur la position requise.
- Appuyez sur le bouton début/fin (2).
- Pour interrompre le processus, appuyez sur le bouton début/fin (2) à nouveau.
- Si le processus est terminé, positionnez le sélecteur de diffuseur (4) sur position 'A'.

Unité de mousse de lait (fig. A, B, C & K)

L'unité de mousse de lait combine le lait, la vapeur et l'air pour diffuser une cascade de lait mousseux directement dans la tasse.

Avant de procéder, vous devez faire attention aux remarques suivantes :

- Attention à la vapeur afin d'éviter les brûlures.
- Retirez le pot de lait et la tasse uniquement lorsque le processus de moussage du lait est terminé. Le processus de moussage du lait ne s'arrête pas immédiatement.

Avant de procéder, nous souhaiterions que vous preniez connaissance des remarques suivantes :

- Utilisez l'unité de mousse de lait uniquement sous les conditions suivantes :

- L'unité de mousse de lait doit être correctement assemblée.
 - L'unité de mousse de lait doit être correctement montée sur l'appareil.
 - Une tasse doit être placée directement sous le diffuseur de mousse de lait.
 - Un pot de lait adapté avec suffisamment de lait froid doit être placé aussi près que possible de la gauche de l'appareil. Le tube flexible doit atteindre le fond du pot de lait.
- Positionnez le sélecteur de diffuseur (4) sur position 'A'.
 - Remplissez le pot de lait avec suffisamment de lait froid.
 - Placez le pot de lait aussi près que possible de la gauche de l'appareil. Assurez-vous que le tube flexible (21) touche le fond du pot de lait.
 - Placez la tasse sur le bac de tasse (11) directement sous le diffuseur de mousse de lait (8).
 - Appuyez sur le bouton marche/arrêt (1) pour mettre l'appareil en marche. Le bouton début/fin (2) clignote en rouge. Le bouton début/fin (2) devient vert dès que l'appareil peut être utilisé.
 - Positionnez le sélecteur de diffuseur (4) sur position 'C'. Le bouton marche/arrêt (1) devient bleu. Le bouton début/fin (2) clignote en rouge. Le bouton début/fin (2) devient vert dès que l'appareil peut être utilisé.
 - Réglez le sélecteur de tasse (3) sur la position requise.
 - Appuyez sur le bouton début/fin (2).
 - Pour interrompre le processus, appuyez sur le bouton début/fin (2) à nouveau.
 - Si le processus est terminé, positionnez le sélecteur de diffuseur (4) sur position 'A'.
- une quantité supérieure de solides dissous par rapport au café normal.
 - une quantité inférieure de café par tasse par rapport au café normal (25 - 30 ml)
- Utilisez des doses de café d'un type de café torréfié plus fort voire de la poudre pour expresso dans la cassette de café moulu.
 - Réglez le sélecteur de tasse (3) sur la position requise :
 - Pour un expresso normal, positionnez le sélecteur de tasse (3) sur position 'A'.
 - Pour un expresso allongé, positionnez le sélecteur de tasse (3) entre position 'A' et 'B'.

Cappuccino

Le cappuccino est un type de café composé de 1/3 d'expresso, 1/3 de lait chaud et 1/3 de mousse de lait.

- Préparez un expresso dans une tasse préchauffée (150 - 200 ml) comme décrit précédemment.
- Positionnez le sélecteur de tasse (3) sur position 'A'.
- Ajoutez la mousse de lait à l'expresso.
- Saupoudrez de poudre de cacao le sommet de la mousse de lait.
- Spécialité pour les fêtes de Noël : saupoudrez de cannelle le sommet de la mousse de lait.

Latte macchiato

Le Latte macchiato est essentiellement un caffè latte inversé, avec l'expresso versé par-dessus le lait.

- Positionnez le sélecteur de tasse (3) sur position 'B'.
- Versez la mousse de lait dans un verre (200 - 250 ml).
- Laissez reposer le verre brièvement ou agitez-le doucement afin de mieux séparer les couches.
- Préparez un expresso dans le verre comme décrit précédemment.
- Si vous n'obtenez pas différentes couches immédiatement, essayez de guider le café avec le dos d'une cuillère dans la mousse de lait.
- Saupoudrez de copeaux ou de poudre de cacao le sommet de la mousse de lait.

Conseils d'usage (fig. A & H)

Expresso

L'expresso est un type de café concentré préparé en forçant de l'eau chaude ou de la vapeur sous pression dans du café finement moulu. L'expresso se caractérise comme suit :

- une puissance du café supérieure par rapport au café normal

Moka

Le moka est un type de café composé de 1/3 d'expresso, 1/3 de chocolat chaud et 1/3 de mousse de lait.

- Préparez un expresso dans une tasse préchauffée (150 - 200 ml) comme décrit précédemment.
- Positionnez le sélecteur de tasse (3) sur position 'A'.
- Ajoutez le chocolat chaud à l'expresso.
- Ajoutez la mousse de lait à l'expresso au chocolat chaud.

Mousse de cacao

- Versez du lait frais dans un pot de lait adapté.
- Ajoutez la quantité souhaitée de poudre de cacao instantané au lait.
- Remuez la poudre de cacao dans le lait directement dans le pot de lait.
- Faites mousser le lait avec la poudre de cacao.

Nettoyage et entretien

Avant de procéder, vous devez faire attention aux remarques suivantes :

- Avant le nettoyage ou l'entretien, arrêtez toujours l'appareil et débranchez la fiche secteur de la prise murale.
- Ne plongez pas l'appareil dans l'eau ou autres liquides.

Avant de procéder, nous souhaiterions que vous preniez connaissance des remarques suivantes :

- N'utilisez pas d'agents de nettoyage agressifs ou abrasifs pour nettoyer l'appareil et ses diverses pièces.
- Ne nettoyez pas l'appareil avec des objets coupants.
- Contrôlez régulièrement les éventuels dommages sur l'appareil.
- Nettoyez l'extérieur de l'appareil avec un chiffon doux et humide. Séchez soigneusement l'extérieur de l'appareil avec un chiffon propre et sec.
- Nettoyez les accessoires :
 - Nettoyez le diffuseur de café à l'eau savonneuse.

- Nettoyez la cassette de doses de café et celle de café moulu à l'eau savonneuse.
- Nettoyez le bac de tasse et le bac de collecte à l'eau savonneuse.
- Nettoyez le réservoir d'eau et son couvercle à l'eau savonneuse.
- Rincez les accessoires sous l'eau courante.
- Séchez soigneusement les accessoires avec un chiffon propre et sec.

Nettoyage du réservoir d'eau (fig. A, C & E)

Le réservoir d'eau (13) doit être nettoyé s'il n'a pas été utilisé pendant quelques jours.

- Remplissez le réservoir d'eau (13) avec de l'eau jusqu'au repère maximum par l'ouverture de remplissage du couvercle (18).
- Placez le couvercle (18) sur le réservoir d'eau (13).
- Placez le réservoir d'eau (13) dans l'appareil.
- Placez la cassette de doses de café vide (9) dans l'appareil.
- Placez deux tasses sous le diffuseur de café (5).
- Positionnez le sélecteur de diffuseur (4) sur 'D'.
- Appuyez sur le bouton marche/arrêt (1) pour mettre l'appareil en marche.
- Appuyez brièvement sur le bouton marche/arrêt (1) et simultanément sur le bouton début/fin (2). La pompe s'arrête automatiquement.
- Positionnez le sélecteur de diffuseur (4) sur position 'A'.

Nettoyage du filtre du diffuseur de café (fig. A)

La qualité de la couche de crème diminue lorsque le filtre du diffuseur de café est bouché par du calcaire ou des résidus de café. Le filtre du diffuseur de café doit être nettoyé régulièrement.

Avant de procéder, nous souhaiterions que vous preniez connaissance des remarques suivantes :

- Si les deux éléments de filtre du filtre du diffuseur de café sont pressés l'un contre l'autre, remplacez le filtre du diffuseur de café.

- Nettoyez le filtre du diffuseur de café (6) à l'eau savonneuse avec une brosse douce pour éliminer les résidus de café.
- Versez une faible quantité d'agent détartrant via l'ouverture de filtre du diffuseur de café (6) pour éliminer le calcaire.
- Rincez le filtre du diffuseur de café (6) sous l'eau courante.

Nettoyage de l'unité de mousse de lait (fig. A, B, C & K)

Directement après l'utilisation

L'unité de mousse de lait doit être nettoyée directement après l'utilisation, sauf si l'appareil est à nouveau utilisé dans les 30 minutes qui suivent.

- Nettoyez le canal d'air (29) dans l'adaptateur de tube (22) de l'unité de mousse de lait après chaque utilisation.
- Placez le tube flexible (21) dans une tasse d'eau froide.
- Placez une autre tasse sous le diffuseur de mousse de lait (8)
- Positionnez le sélecteur de diffuseur (4) sur position 'C'. Le bouton marche/arrêt (1) devient bleu. Le bouton début/fin (2) clignote en rouge. Le bouton début/fin (2) devient vert dès que l'appareil peut être utilisé.
- Positionnez le sélecteur de tasse (3) sur position 'D'.
- Appuyez sur le bouton début/fin (2).
- Si le processus est terminé, positionnez le sélecteur de diffuseur (4) sur position 'A'.

Après l'utilisation finale

L'unité de mousse de lait doit être nettoyée tous les jours après le dernier moussage de lait.

- Retirez de l'unité de mousse de lait de l'appareil.
- Démontez l'unité de mousse de lait.
- Nettoyez les pièces de l'unité de mousse de lait à l'eau savonneuse avec une brosse douce.
- Séchez complètement les pièces de l'unité de mousse de lait.
- Montez l'unité de mousse de lait.
- Montez l'unité de mousse de lait dans l'appareil.

Nettoyage de la vanne de vapeur (fig. A & L)

La vanne de vapeur doit être nettoyée tous les mois ou dès que l'appareil produit clairement moins de vapeur.

- Utilisez la clé hexagonale (25) sous le bac de collecte (12) pour retirer la vanne de vapeur (24) de la sortie de vapeur (26).
- Nettoyez la vanne de vapeur (24) avec un agent détartrant. Rincez la vanne de vapeur sous l'eau courante.
- Vissez manuellement la vanne de vapeur (24) sur la sortie de vapeur (26).

Remplacement du filtre anti-tartre (fig. A, D & E)

Le filtre anti-tartre (ACF 30) est disponible auprès de notre station d'entretien. Le filtre anti-tartre élimine le chlore et autres agents contaminant de l'eau pour purifier le goût du café.

Le filtre anti-tartre doit être remplacé tous les trois mois pour une consommation quotidienne moyenne de 8 tasses de café (environ 700 tasses).

- Retirez le réservoir d'eau (13) de l'appareil.
- Retirez le couvercle (18) du réservoir d'eau (13).
- Retirez le filtre anti-tartre (14) du réservoir d'eau (13).
- Retirez le filtre anti-tartre (14) du porte-filtre (17) et de l'anneau (16).
- Rincez le filtre anti-tartre neuf (14) sous l'eau courante.
- Insérez le filtre anti-tartre (14) dans l'anneau (16).
- Placez le porte-filtre (17) sur l'anneau (16). Bloquez le porte-filtre (17) en le faisant tourner dans le sens horaire.
- Placez le filtre anti-tartre (14) dans le réservoir d'eau (13). Bloquez le filtre anti-tartre (14) en l'enfonçant jusqu'à l'enclencher.
- Placez le couvercle (18) sur le réservoir d'eau (13).
- Placez le réservoir d'eau (13) dans l'appareil. L'intervalle de temps avant le remplacement suivant du filtre est réglable avec le témoin de remplacement de filtre anti-tartre (15).

- Tournez le témoin de remplacement de filtre anti-tartre (15) dans le sens horaire pour régler l'intervalle avant le prochain remplacement.

- Utilisez le bouton marche/arrêt (1) pour régler l'appareil selon la dureté de l'eau dans votre zone. Voir la table suivante pour le réglage correct de la dureté de l'eau.

Détartrage (fig. A, C, E & L)

L'appareil dispose d'un témoin de détartrage automatique qui informe l'utilisateur de la nécessité d'un détartrage. Si le bouton marche/arrêt clignote en jaune, l'appareil doit être détartré. Il reste possible de préparer du café et de l'eau chaude mais pas de faire mousser du lait.

Le programme de détartrage automatique de l'appareil est optimisé pour 125 ml de durgol® swiss espresso®. Le produit doit être utilisé sans dilution. Il est très efficace et garantit un détartrage fiable et donc un cycle de vie prolongé de l'appareil. L'agent détartrant est disponible auprès de notre station d'entretien.

Avant de procéder, vous devez faire attention aux remarques suivantes :

- Attention lors du détartrage de l'appareil à ne pas endommager le mobilier ou les vêtements. Utilisez des tasses aussi grandes que possible et placez-les sous les différents diffuseurs afin d'éviter les éclaboussures.

Avant de procéder, nous souhaiterions que vous preniez connaissance des remarques suivantes :

- Utilisez uniquement la quantité spécifiée de durgol® swiss espresso® pour détartrer l'appareil.
- N'utilisez ni vinaigre, ni concentré de vinaigre pour détartrer l'appareil.
- N'utilisez pas d'acide citrique pour détartrer l'appareil.

Réglage d'intervalle de dureté de l'eau

Vous pouvez régler l'appareil pour différentes duretés de l'eau. Par défaut, la dureté de l'eau est réglée sur 4. Contactez votre société des eaux ou les autorités locales afin de déterminer la dureté de l'eau dans votre zone. Pour une dureté de l'eau dans votre zone inférieure à 4, le réglage de dureté de l'eau est modifiable afin d'espacer les détartrages nécessaires de l'appareil.

Signal clignotant	Intervalle de dureté de l'eau	Dureté de l'eau (°dH)
...	1 (douce)	0 - 7
... ..	2 (moyenne)	7 - 14
... .. .	3 (dure)	14 - 21
...	4 (très dure)	plus de 21

- Appuyez sur le bouton marche/arrêt (1) pour arrêter l'appareil.
- Appuyez sur le bouton début/fin (2) 3 à 5 seconde pour que le bouton marche/arrêt (1) clignote en jaune.
- Appuyez sur le bouton marche/arrêt (2) pour augmenter d'un niveau l'intervalle de dureté de l'eau. (L'intervalle 4 est suivi du 1, etc.)
- Appuyez brièvement sur le bouton marche/arrêt (1) pour enregistrer le nouvel intervalle de dureté de l'eau. Si vous n'appuyez sur le bouton marche/arrêt dans les dix secondes, l'appareil s'arrête automatiquement sans enregistrer le réglage.
- Répétez les deux premières étapes pour vérifier l'intervalle de dureté de l'eau.

Programme de détartrage automatique

L'appareil comporte un programme de détartrage automatique qui dure 25 à 30 minutes. Le programme de détartrage comporte deux phases : 1 = phase de détartrage ; 2 = phase de rinçage.

Avant de procéder, vous devez faire attention aux remarques suivantes :

- Si le programme de détartrage automatique a démarré, il ne peut pas être interrompu. En cas d'urgence, débranchez immédiatement la fiche secteur de la prise murale.

Préparation (fig. A, C, E & L)

- Utilisez la clé hexagonale (25) sous le bac de collecte (12) pour retirer la vanne de vapeur (24) de la sortie de vapeur (26).
- Retirez le filtre anti-tartre (14) du réservoir d'eau (13).
- Remplissez le réservoir d'eau (13) avec 125 ml d'agent détartrant.
- Placez la vanne de vapeur (24) dans le réservoir d'eau.
- Placez le couvercle (18) sur le réservoir d'eau (13).
- Placez le réservoir d'eau (13) dans l'appareil.
- Insérez la cassettes de doses de café vide (9) dans l'appareil.
- Positionnez le sélecteur de diffuseur (4) sur position 'B'. Assurez-vous que le sélecteur de tasse (3) pointe vers le haut.
- Placez une grande tasse (min. 250 ml) sous le diffuseur d'eau chaude (7).

Phase de détartrage (fig. A, C, E & L)

La phase de détartrage se décompose en trois phases : 1 = fonction eau chaude ; 2 = fonction café ; 3 = fonction vapeur.

Phase 1 - Fonction eau chaude

- Appuyez sur le bouton marche/arrêt (1) pour mettre l'appareil en marche.
- Appuyez sur le bouton marche/arrêt (1) et simultanément sur le bouton début/fin (2) pendant 3 à 4 secondes.

La pompe marche pendant une seconde trois fois par minute. Le bouton marche/arrêt reste allumé en jaune pendant tout le programme de détartrage.

Phase 2 - Fonction café

Le bouton début/fin (2) clignote en vert après environ 5 minutes.

- Reversez le liquide de la tasse dans le réservoir d'eau (13).
- Placez la tasse sous le diffuseur de café (5).
- Positionnez le sélecteur de diffuseur (4) sur 'D'.
- Appuyez sur le bouton début/fin (2).

Phase 3 - Fonction vapeur

Le bouton début/fin (2) clignote en vert après environ 5 minutes.

- Reversez le liquide de la tasse dans le réservoir d'eau (13).
 - Placez la tasse sous la sortie de vapeur (26).
 - Positionnez le sélecteur de diffuseur (4) sur position 'C'.
 - Appuyez sur le bouton début/fin (2).
- Le bouton début/fin (2) clignote en rouge après environ 5 minutes. Le programme de détartrage automatique est terminé.

Phase de rinçage (fig. A, C, E & L)

Pour la phase de rinçage, l'agent détartrant est rincé sous l'eau courante. La phase de rinçage comprend sept cycles de rinçage. Si la phase de rinçage est terminée, l'appareil s'arrête automatiquement.

Si le bouton début/fin clignote en rouge durant la phase de rinçage, le rinçage est interrompu et le réservoir d'eau doit être rempli jusqu'au repère maximum.

- Retirez la vanne de vapeur (24) du réservoir d'eau (13).
- Rincez le réservoir d'eau (13).
- Remplissez le réservoir d'eau (13) jusqu'au repère maximum.
- Placez la tasse sous le diffuseur de café (5).
- Positionnez le sélecteur de diffuseur (4) sur 'D'. Le bouton début/fin (2) clignote en vert.
- Appuyez sur le bouton début/fin (2). Le diffuseur de café (5) est rincé.
- Si le bouton début/fin (2) clignote en vert, placez la tasse sous le diffuseur d'eau chaude (7).
- Positionnez le sélecteur de diffuseur (4) sur position 'B'. Le bouton début/fin (2) clignote en vert.
- Appuyez sur le bouton début/fin (2). Le diffuseur d'eau chaude (7) est rincé.
- Si le bouton début/fin (2) clignote en vert, placez la tasse sous la sortie de vapeur (26).
- Positionnez le sélecteur de diffuseur (4) sur position 'C'. Le bouton début/fin (2) clignote en vert.
- Appuyez sur le bouton début/fin (2). La sortie de vapeur (26) est rincée.
- Si le bouton début/fin (2) clignote en vert, placez la tasse sous le diffuseur de café (5).
- Positionnez le sélecteur de diffuseur (4) sur 'D'. Le bouton début/fin (2) clignote en vert.

- Appuyez sur le bouton début/fin (2). Le diffuseur de café (5) est rincé.
- Si le bouton début/fin (2) clignote en vert, placez la tasse sous le diffuseur d'eau chaude (7).
- Positionnez le sélecteur de diffuseur (4) sur position 'B'. Le bouton début/fin (2) clignote en vert.
- Appuyez sur le bouton début/fin (2). Le diffuseur d'eau chaude (7) est rincé.
- Si le bouton début/fin (2) clignote en vert, placez la tasse sous la sortie de vapeur (26).
- Positionnez le sélecteur de diffuseur (4) sur position 'C'. Le bouton début/fin (2) clignote en vert.
- Appuyez sur le bouton début/fin (2). La sortie de vapeur (26) est rincée.
- Si le bouton début/fin (2) clignote en vert, placez la tasse sous le diffuseur de café (5).
- Positionnez le sélecteur de diffuseur (4) sur 'D'. Le bouton début/fin (2) clignote en vert.
- Appuyez sur le bouton début/fin (2). Le diffuseur de café (5) est rincé.

Finalisation (fig. L)

- Rincez la vanne de vapeur (24).
- Vissez manuellement la vanne de vapeur (24) sur la sortie de vapeur (26).

Montage

Avant de procéder, vous devez faire attention aux remarques suivantes :

- Avant le montage ou le démontage, arrêtez l'appareil et débranchez la fiche secteur de la prise murale.

Montage du bac de collecte et du bac de tasse (fig. M)

- Placez le bac de collecte (12) au fond de l'appareil.
- Placez le bac de tasse (11) sur le bac de collecte (12) au fond de l'appareil.

Montage du diffuseur de café (fig. N & O)

- Placez le filtre du diffuseur de café (6) dans le diffuseur de café (5).
- Montez le diffuseur de café (5) dans l'appareil en le tournant dans le sens anti-horaire.

Montage de la cassette de doses de café

- Si vous utilisez des doses de café, reportez-vous au chapitre "Préparation du café avec des doses".
- Si vous utilisez du café moulu, reportez-vous au chapitre "Préparation du café avec du café moulu".

Montage de l'unité de mousse de lait (fig. K)

- Glissez le tube flexible (21) sur son adaptateur (22).
- Insérez l'adaptateur de tube (22) dans l'adaptateur du diffuseur de mousse de lait (23).
- Montez l'adaptateur du diffuseur de mousse de lait (23) sur la vanne de vapeur (24).
- Montez le diffuseur de mousse de lait (8) sur son adaptateur (23).

Dépannage

La table suivante vous permet de résoudre vous-même les problèmes. Si vous n'arrivez pas à résoudre vous-même les problèmes, contactez notre station d'entretien.

- Le témoin rouge clignote mais le réservoir d'eau est plein.
 - Videz le réservoir d'eau.
 - Secouez le réservoir d'eau vide pour vérifier la liberté de mouvement du flotteur.
 - Nettoyez ou détartrez le réservoir d'eau.
- Le processus de rinçage ne démarre pas.
 - Assurez-vous que l'eau du réservoir est bien froide.
 - Positionnez le sélecteur de diffuseur sur position 'C'.
- L'eau ne s'écoule pas de la sortie du diffuseur pendant le rinçage.
 - Positionnez le sélecteur de diffuseur sur position 'D'.
- Le sélecteur de diffuseur se bloque avant d'atteindre la position 'D'.
 - Assurez-vous que les doses de café sont correctement placées dans leur cassette.
- L'eau s'échappe de la cassette de doses de café.
 - Assurez-vous que les doses de café sont correctement placées dans leur cassette.

- L'eau s'écoule sous l'appareil.
 - Videz le bac de collecte.
 - Remplissez le réservoir d'eau sans dépasser le repère maximum.
 - Retirez le réservoir d'eau de l'appareil seulement brièvement, afin de le remplir ou le nettoyer.
- Le café n'est pas fort.
 - Choisissez un type de café plus puissant.
 - Réglez une quantité de café inférieure avec le sélecteur de quantité de café.
 - Assurez-vous que les doses de café sont correctement placées dans leur cassette.
- Le café est trop fort.
 - Choisissez un type de café moins puissant.
 - Réglez une quantité de café supérieure avec le sélecteur de quantité de café.
- La couche de crème se détériore.
 - Nettoyez et détartrez régulièrement le filtre du diffuseur de café.
 - Si les deux éléments de filtre du filtre du diffuseur de café sont pressés l'un contre l'autre, remplacez le filtre du diffuseur de café.
- Aucun café ne sort, mais la pompe fonctionne.
 - Déplacez le sélecteur de diffuseur aussi loin que possible à gauche.
 - Assurez-vous que l'ouverture centrale de la cassette de doses de café n'est pas bouchée par du calcaire ou des résidus de café.
- Impossible de faire sortir l'eau chaude.
 - Positionnez le sélecteur de diffuseur sur position 'B'.
- L'eau du réservoir d'eau chauffe.
 - Positionnez le sélecteur de diffuseur sur position 'B' ou 'D'.
 - Assurez-vous que l'ouverture centrale de la cassette de doses de café n'est pas bouchée par du calcaire ou des résidus de café.
- L'appareil s'arrête après le chauffage.
 - Si la température de préparation du café n'est pas atteinte pendant le chauffage, l'appareil s'arrête après environ 2 minutes.
 - N'utilisez pas l'appareil à une altitude supérieure à 1.500 m au-dessus du niveau de la mer.
- Le sélecteur de diffuseur ne peut pas être positionné sur position 'A'. Aucun café ne sort alors que la pompe fonctionne.
 - Débranchez la fiche secteur de la prise murale et laissez l'appareil pendant plusieurs heures afin de réduire la pression.
 - Si cela ne fonctionne pas, retirez toutes les pièces amovibles, placez l'appareil sur le côté puis ouvrez l'ouverture centrale de la cassette de doses de café depuis le dessous avec une aiguille. Faites attention : du café peut être pulvérisé pendant le processus.
- La quantité de café est réduite.
 - Déplacez le sélecteur de diffuseur aussi loin que possible à gauche.
 - Assurez-vous que l'ouverture centrale de la cassette de doses de café n'est pas bouchée par du calcaire ou des résidus de café.
- La mousse de lait ne se forme pas.
 - Nettoyez l'unité de mousse de lait.
 - Nettoyez la vanne de vapeur.
- La mousse de lait éclabousse beaucoup.
 - Assurez-vous que l'unité de mousse de lait est correctement assemblée et montée.
- La mousse de lait s'écoule en continu.
 - Si vous utilisez un pot de lait dans lequel le lait dépasse la hauteur de l'adaptateur de diffuseur de mousse de lait, le pot de lait est aspiré à sec après le moussage du lait : assurez-vous de ne pas utiliser un pot de lait plus haut que 14 cm.

Instructions de sécurité

Sécurité générale

- Lisez avec soin le manuel avant utilisation. Conservez le manuel pour référence future.
- Utilisez l'appareil et ses accessoires uniquement pour leurs fins prévues. N'utilisez pas l'appareil et ses accessoires pour tout autre objet que celui exposé dans le manuel.
- N'utilisez pas l'appareil si une pièce ou un accessoire quelconque est endommagé ou défectueux. Si une pièce ou un accessoire quelconque est endommagé ou défectueux, il doit être remplacé par le fabricant ou par un réparateur agréé.

- Les enfants doivent toujours être surveillés pour s'assurer qu'ils ne jouent pas avec l'appareil.
- L'emploi de cet appareil par des enfants ou des personnes présentant un handicap physique, sensoriel, mental ou moteur voire ne disposant pas des connaissances et de l'expérience nécessaires est potentiellement dangereux. Les personnes responsables de leur sécurité doivent leur fournir des instructions explicites voire les surveiller pour utiliser l'appareil.
- N'utilisez pas l'appareil à proximité d'une baignoire, d'une douche, d'un lavabo ou d'autres récipients contenant de l'eau.
- Ne plongez pas l'appareil dans l'eau ou autres liquides. Si l'appareil est plongé dans l'eau ou d'autres liquides, ne retirez pas l'appareil avec vos mains. Débranchez immédiatement la fiche secteur de la prise murale. Si l'appareil est plongé dans l'eau ou autre liquide, ne l'utilisez pas à nouveau.
- endommagé ou défectueux, il doit être remplacé par le fabricant ou par un réparateur agréé.
- Ne tirez pas sur le cordon d'alimentation pour débrancher la fiche secteur du secteur.
- Débranchez la fiche secteur du secteur lorsque l'appareil n'est pas utilisé, avant le montage ou le démontage de même qu'avant le nettoyage ou l'entretien.

Instructions de sécurité pour les cafetières

- N'utilisez pas l'appareil à l'extérieur.
- N'utilisez pas l'appareil dans un environnement humide.
- Si l'appareil est rempli d'eau, utilisez-le uniquement dans un environnement protégé contre le gel.
- Placez l'appareil sur une surface stable et plane.
- Placez l'appareil sur une surface résistante à la chaleur et aux projections.
- Ne placez pas l'appareil sur une plaque de cuisson.
- Ne placez pas l'appareil sur une surface chaude ou à proximité de flammes nues.
- Assurez-vous que l'appareil n'entre en contact avec aucune matière inflammable.
- Maintenez l'appareil à l'écart des sources de chaleur.
- Attention à l'eau chaude et à la vapeur afin d'éviter les brûlures.
- Rangez l'appareil dans un endroit sec lorsqu'il n'est pas utilisé. Assurez-vous que les enfants ne puissent pas accéder aux appareils rangés.

Sécurité électrique

- Avant toute utilisation, vérifiez que la tension du secteur correspond à celle indiquée sur la plaque signalétique de l'appareil.
- L'appareil n'est pas conçu pour être utilisé avec une minuterie externe ou un système de télécommande séparé.
- Connectez l'appareil à une prise murale mise à la terre. Si nécessaire, vous pouvez utiliser une rallonge d'un diamètre adapté (au moins 3 x 1 mm²).
- Assurez-vous que l'eau ne peut pas s'infiltrer dans les contacts de prise du cordon d'alimentation et de la rallonge.
- Déroulez toujours complètement le cordon d'alimentation et la rallonge.
- Assurez-vous que le cordon d'alimentation ne pend pas sur le bord d'un plan de travail et ne peut pas être happé ou faire trébucher quelqu'un accidentellement.
- Maintenez le cordon d'alimentation à l'écart de la chaleur, de l'huile et des bords tranchants.
- N'utilisez pas l'appareil si le cordon d'alimentation ou la fiche secteur est endommagé ou défectueux. Si le cordon d'alimentation ou la fiche secteur est

Clause de non responsabilité

Sous réserve de modifications ; les spécifications peuvent être modifiées sans préavis.

Herzlichen Glückwunsch!

Sie haben ein Petra Produkt erworben. Unser Ziel ist es, Qualitätsprodukte mit einem geschmackvollen Design zu einem erschwinglichen Preis anzubieten. Wir hoffen, dass Sie viele Jahre Gefallen an diesem Produkt finden.

Beschreibung (Abb. A)

Ihre 242120 Petra Kaffeemaschine wurde konstruiert, um verschiedene Kaffeesorten, Heißwasser sowie heiße Schokolade zuzubereiten. Das Gerät ist nur für den Gebrauch in geschlossenen Räumen geeignet. Das Gerät ist nur für den Hausgebrauch geeignet.

1. Ein-/Aus-Taste
2. Start-/Stopp-Taste
3. Fassengröße-Wähler
4. Spender-Wähler
5. Kaffeespender
6. Kaffeespenderfilter
7. Heißwasserspender
8. Milchschaumspender
9. Kaffeepad-Kassette
10. Kassette für gemahlene Kaffee
11. Tassentablett
12. Tropftablett
13. Wasserbehälter
14. Anti-Kalk-Filter
15. Austauschanzeige für Anti-Kalk-Filter

Erster Gebrauch

Vorbereitung

- Reinigen Sie den Kaffeespender in Seifenwasser.
- Reinigen Sie die Kaffeepad-Kassette und die Kassette für gemahlene Kaffee in Seifenwasser.
- Reinigen Sie das Tassentablett und das Tropftablett in Seifenwasser.
- Reinigen Sie den Wasserbehälter und den Deckel des Wasserbehälters in Seifenwasser.
- Spülen Sie das Zubehör unter fließendem Wasser.

Anbringen des Anti-Kalk-Filters und des Wasserbehälters (Abb. A, D & E)

- Setzen Sie den Anti-Kalk-Filter (14) in den Ring (16) ein.
- Setzen Sie den Filterhalter (17) auf den Ring (16). Sichern Sie den Filterhalter (17), indem Sie ihn im Uhrzeigersinn drehen.
- Setzen Sie den Anti-Kalk-Filter (14) in den Wasserbehälter (13) ein. Sichern Sie ihn nach unten drücken, bis er einrastet.
- Setzen Sie den Deckel (18) auf den Wasserbehälter (13).
- Setzen Sie den Wasserbehälter (13) in das Gerät ein.

Entlüftung (Abb. A, C & E)

Das Gerät muss vor dem ersten Gebrauch entlüftet werden. Die Entlüftung ist nur bei Neugeräten erforderlich.

Bevor Sie fortfahren, beachten Sie bitte unbedingt die folgenden Hinweise:

- Gehen Sie vorsichtig mit heißem Wasser und Dampf um, um Verbrennungen zu vermeiden. Während der Erhitzungsphase kann heißer Dampf aus dem Milchschaumspender austreten.

Bevor Sie fortfahren, richten Sie bitte Ihre Aufmerksamkeit auf folgende Hinweise:

- Füllen Sie den Wasserbehälter nur mit frischem kaltem Wasser. Verwenden Sie kein kohlesäurehaltiges Wasser oder andere Flüssigkeiten, um den Wasserbehälter zu füllen.
- Überschreiten Sie beim Füllen des Wasserbehälters nicht die Maximalmarke.
- Füllen Sie den Wasserbehälter (13) an der Einfüllöffnung des Deckels (18) bis zur Maximalmarke mit Wasser.
- Setzen Sie den Deckel (18) auf den Wasserbehälter (13).
- Setzen Sie den Wasserbehälter (13) in das Gerät ein.
- Setzen Sie die leere Kaffeepad-Kassette (9) in das Gerät ein.
- Stellen Sie eine Tasse unter den Kaffeespender (5).

- Stellen Sie den Spender-Wähler (4) auf Position 'D'. Stellen Sie sicher, dass der Tassengröße-Wähler (3) nach oben zeigt.

Hinweis:

Wird keine Kaffeepad-Kassette eingesetzt, kann der Spender-Wähler nicht auf Position 'D' gestellt werden.

- Drücken Sie auf die Ein-/Aus-Taste (1), um das Gerät einzuschalten. Die Start-/Stopp-Taste (2) blinkt grün.
- Drücken Sie kurz auf die Start-/Stopp-Taste (2), um die Entlüftung zu starten. Das Wasser beginnt nach ca. 25 Sekunden, aus dem Kaffeespender (5) herauszulaufen. Die Pumpe schaltet automatisch aus.
- Stellen Sie den Spender-Wähler (4) auf Position 'D'. Das Wasser wird erhitzt, bis die Start-/Stopp-Taste (2) nach ca. 80 Sekunden von rot auf grün wechselt.
- Stellen Sie eine Tasse unter den Heißwasserspender (7) und eine Tasse unter den Milchschaumspender (8).
- Stellen Sie den Spender-Wähler (4) auf Position 'B'.
- Drücken Sie gleichzeitig kurz auf die Ein-/Aus-Taste (1) und auf die Start-/Stopp-Taste (2).
- Ist die Tasse unter dem Heißwasserspender (7) voll, stellen Sie den Spender-Wähler (4) auf Position 'C', während die Pumpe läuft. Die Pumpe schaltet automatisch aus.
- Stellen Sie den Spender-Wähler (4) auf Position 'A'. Das Wasser wird erhitzt, bis die Start-/Stopp-Taste (2) von rot auf grün wechselt.

Bezeichnung der Anzeigen

Komponente	Anzeige	Bezeichnung
Ein-/Aus-Taste (1)	Gelb	Entkalkungsprogramm.
	Gelbes Blinken	Entkalken Sie das Gerät.
Start-/Stopp-Taste (2)	Blau	Dampfmodus aktiv.
	Blaues Blinken	Entkalken Sie das Gerät. Dampfmodus ist nicht möglich.
Start-/Stopp-Taste (2)	Rot	Das Gerät heizt auf oder spült.

Rotes Blinken	Füllen Sie den Wasserbehälter.
Grün	Das Gerät ist gebrauchsbereit.
Grünes Blinken	Entlüften des Neugeräts.

Ein- und Ausschalten (Abb. A)

- Um das Gerät einzuschalten, drücken Sie auf die Ein-/Aus-Taste (1). Die Start-/Stopp-Taste (2) blinkt rot. Die Start-/Stopp-Taste (2) wird grün, wenn das Gerät gebrauchsbereit ist.
- Um das Gerät jederzeit auszuschalten, drücken Sie erneut auf die Ein-/Aus-Taste (1).

Automatische Abschaltfunktion

Das Gerät schaltet sich automatisch aus, wenn es 60 Minuten lang nicht verwendet wurde.

Wasserstandanzeige (Abb. A)

Die Frischwasserversorgung wird kontinuierlich von einem Schwimmer überwacht, der sich im Wasserbehälter (13) auf- und abwärts bewegt. Die Start-/Stopp-Taste (2) blinkt rot, wenn der Stand unter den erforderlichen Mindestfüllstand abfällt. Der Vorgang läuft weiter, wenn der gefüllte Wasserbehälter (13) wieder in das Gerät eingesetzt wird.

Vorbrühfunktion

Durch die Vorbrühfunktion wird sichergestellt, dass das Gerät anfangs nur eine geringe Wassermenge liefert. Der Kaffeekochvorgang wird nach einer kurzen Zeitspanne fortgesetzt.

Einstellen der Tassengröße (Abb. B)

Der Tassengröße-Wähler wird verwendet, um die erforderliche Wassermenge einzustellen, die das Gerät liefern soll.

- Stellen Sie den Tassengröße-Wähler (3) auf die erforderliche Position. Die Einstellung der richtigen Tassengröße können Sie der Tabelle unten entnehmen.

Einstellung	Tassengröße
A	1 Tasse Espresso
B	1 normale Tasse Kaffee
C	1 große Tasse Kaffee
D	2 normale Tassen Kaffee
E	1 extragroße Tasse Kaffee

Wahl des Spenders (Abb. C)

Der Spenderwähler wird verwendet, um den erforderlichen Spender für die Art des zuzubereitenden Getränks zu wählen.

Bevor Sie fortfahren, richten Sie bitte Ihre Aufmerksamkeit auf folgende Hinweise:

- Stellen Sie den Spender-Wähler (4) nach jedem Gebrauch auf Position 'A'.
- Stellen Sie den Spender-Wähler (4) auf die erforderliche Position. Die Wahl des richtigen Spenders können Sie der Tabelle unten entnehmen.

Einstellung	Funktion
A	AUS
B	Heißwasserspender
C	Milchschaumspender
D	Kaffeespender

Einstellen der Kaffeespenderhöhe (Abb. F)

Die Höhe des Kaffeespenders kann auf Ihre Kaffeebrühwünsche eingestellt werden.

- Drehen Sie den Kaffeespender (5) im Uhrzeigersinn, um ihn zu senken (Abb. F1).
- Drehen Sie den Kaffeespender (5) gegen den Uhrzeigersinn, um ihn zu heben (Abb. F2).

Kaffee kochen mit Kaffeepads (Abb. A, B, C, G & J)

Verwenden Sie herkömmliche Kaffeepads mit einem Außendurchmesser von 7 cm.

Bevor Sie fortfahren, richten Sie bitte Ihre Aufmerksamkeit auf folgende Hinweise:

- Verwenden Sie folgende Kaffeepad-Typen nicht:
 - Kaffeepads mit einem Außendurchmesser unter 7 cm;
 - Harte Kaffeepads für Espressomaschinen;
 - Kaffeepads mit Zusätzen für Cappuccino, etc.
- Füllen Sie keine beschädigten Kaffeepads, losen gemahlene Kaffee oder Instant-Kaffee in die Kaffeepad-Kassette ein.

Bevor Sie fortfahren, richten Sie bitte Ihre Aufmerksamkeit auf folgende Hinweise:

- Folgen Sie den Anweisungen unten, um Kaffeepads in die Kaffeepad-Kassette einzusetzen:
 - Verwenden Sie die mit '1' gekennzeichnete Seite auf der Kaffeepad-Kassette für eine Tasse Kaffee. Verwenden Sie die mit '2' gekennzeichnete Seite auf der Kaffeepad-Kassette für zwei Tassen Kaffee.
 - Klopfen Sie mit den Fingerspitzen vorsichtig auf das Kaffeepad, um den gemahlene Kaffee im Kaffeepad gleichmäßig zu verteilen. Drücken Sie den Kaffeepad in der Mitte leicht ein.
 - Legen Sie asymmetrische Kaffeepads mit der flachen Seite nach unten in das Gerät.
 - Wenn Sie zwei Kaffeepads gleichzeitig verwenden, drücken Sie das erste Kaffeepad fest in die Aussparung der Kaffeepad-Kassette, wobei die Papierkante nach oben weisen muss. Setzen Sie dann gemäß den Anweisungen oben das zweite Kaffeepad in die Kaffeepad-Kassette ein.
- Stellen Sie den Spender-Wähler (4) auf Position 'A'.
- Entfernen Sie die Kaffeepad-Kassette (9) aus dem Gerät.
- Setzen Sie das Kaffeepad in die Kaffeepad-Kassette (9) ein.
 - Legen Sie für eine Tasse das Kaffeepad in die mit '1' gekennzeichnete Seite der Kaffeepad-Kassette (Abb. G1).
 - Legen Sie für zwei Tassen die Kaffeepads in die mit '2' gekennzeichnete Seite der Kaffeepad-Kassette (Abb. G2).
- Setzen Sie die Kaffeepad-Kassette (9) mit dem Kaffeepad nach oben in das Gerät ein. Vergewissern Sie sich, dass sich das Kaffeepad nicht verschieben kann.
- Stellen Sie die erforderliche Anzahl an Tassen unter den Kaffeespender (5).
 - Stellen Sie die Tasse für eine Tasse unter beide Spenderdüsen des Kaffeespenders (Abb. J1).
 - Stellen Sie eine Tasse für zwei Tassen unter die linke Spenderdüse und eine Tasse unter die rechte Spenderdüse des Kaffeespenders (Abb. J2).

- Drücken Sie auf die Ein-/Aus-Taste (1), um das Gerät einzuschalten. Die Start-/Stopp-Taste (2) blinkt rot. Die Start-/Stopp-Taste (2) wird grün, wenn das Gerät gebrauchsbereit ist.
- Stellen Sie den Spender-Wähler (4) auf Position 'D'.
- Stellen Sie den Fassengröße-Wähler (3) auf die erforderliche Position.
- Drücken Sie auf die Start-/Stopp-Taste (2).
- Um die Vorgang zu unterbrechen, drücken Sie erneut auf die Start-/Stopp-Taste (2).
- Ist der Vorgang abgeschlossen, stellen Sie den Spender-Wähler (4) auf Position 'A'.
- Stellen Sie eine Tasse für zwei Tassen unter die linke Spenderdüse und eine Tasse unter die rechte Spenderdüse des Kaffeespenders (Abb. J2).
- Drücken Sie auf die Ein-/Aus-Taste (1), um das Gerät einzuschalten. Die Start-/Stopp-Taste (2) wird rot. Die Start-/Stopp-Taste (2) wird grün, wenn das Gerät gebrauchsbereit ist.
- Stellen Sie den Spender-Wähler (4) auf Position 'D'.
- Stellen Sie den Fassengröße-Wähler (3) auf die erforderliche Position.
- Drücken Sie auf die Start-/Stopp-Taste (2).
- Um die Vorgang zu unterbrechen, drücken Sie erneut auf die Start-/Stopp-Taste (2).
- Ist der Vorgang abgeschlossen, stellen Sie den Spender-Wähler (4) auf Position 'A'.

Kaffee kochen mit gemahlenem Kaffee (Abb. A, B, C, H, I & J)

Nehmen Sie 5,5 - 7,5 Gramm gemahlene Kaffee - je nach Kaffequalität.

- Stellen Sie den Spender-Wähler (4) auf Position 'A'.
- Entfernen Sie die Kaffeepad-Kassette (9) aus dem Gerät.
- Setzen Sie falls erforderlich den Papierfilter (19) in die Kassette (10) für gemahlene Kaffee ein.
- Geben Sie den gemahlene Kaffee in die Kassette (10) für gemahlene Kaffee.
 - Falls Sie normalen Kaffee möchten, geben Sie den gemahlene Kaffee in die Kassette für gemahlene Kaffee.
 - Falls Sie Espresso möchten, geben Sie das Espressopulver in die Kassette für gemahlene Kaffee.
- Setzen Sie den Deckel (20) auf die Kassette (10) für gemahlene Kaffee.
- Setzen Sie die Kassette (10) für gemahlene Kaffee in die mit '2' gekennzeichnete Seite der Kaffeepad-Kassette (9) ein.
- Setzen Sie die Kaffeepad-Kassette (9) mit der Kassette für gemahlene Kaffee nach oben weisend in das Gerät ein.
- Stellen Sie die erforderliche Anzahl an Tassen unter den Kaffespender (5).
 - Stellen Sie die Tasse für eine Tasse unter beide Spenderdüsen des Kaffeespenders (Abb. J1).

Heißwasserspender (Abb. A, B & C)

Der Heißwasserspender kann zur Zubereitung von Tee oder Instantgetränken verwendet werden.

Bevor Sie fortfahren, beachten Sie bitte unbedingt die folgenden Hinweise:

- Gehen Sie vorsichtig mit heißem Wasser und Dampf um, um Verbrennungen zu vermeiden.
- Stellen Sie den Spender-Wähler (4) auf Position 'A'.
- Stellen Sie die Tasse auf das Tassentablett (11) direkt unter dem Heißwasserspender (7).
- Drücken Sie auf die Ein-/Aus-Taste (1), um das Gerät einzuschalten. Die Start-/Stopp-Taste (2) wird rot. Die Start-/Stopp-Taste (2) wird grün, wenn das Gerät gebrauchsbereit ist.
- Stellen Sie den Spender-Wähler (4) auf Position 'B'.
- Stellen Sie den Fassengröße-Wähler (3) auf die erforderliche Position.
- Drücken Sie auf die Start-/Stopp-Taste (2).
- Um die Vorgang zu unterbrechen, drücken Sie erneut auf die Start-/Stopp-Taste (2).
- Ist der Vorgang abgeschlossen, stellen Sie den Spender-Wähler (4) auf Position 'A'.

Milchschaumeinheit

(Abb. A, B, C & K)

Die Milchschaumeinheit kombiniert Milch-, Dampf- und Luftspender in einer Kaskade zu Milchschaum direkt für die Tasse.

Bevor Sie fortfahren, beachten Sie bitte unbedingt die folgenden Hinweise:

- Gehen Sie vorsichtig mit heißem Dampf um, um Verbrennungen zu vermeiden.
- Entfernen Sie nur das Milchgefäß und die Tasse, wenn das Aufschäumen der Milch abgeschlossen ist. Der Milchschaumvorgang stoppt nicht sofort.

Bevor Sie fortfahren, richten Sie bitte Ihre Aufmerksamkeit auf folgende Hinweise:

- Verwenden Sie die Milchschaumeinheit nur unter den folgenden Bedingungen:
 - Die Milchschaumeinheit muss richtig montiert sein.
 - Die Milchschaumeinheit muss richtig im Gerät angebracht sein.
 - Es muss sich eine Tasse direkt unter dem Milchschaumspender befinden.
 - Es muss sich ein geeignetes Milchgefäß mit ausreichend kalter Milch so nahe wie möglich an der linken Seite des Geräts befinden. Das flexible Rohr muss bis zur Unterseite des Milchgefäßes reichen.
- Stellen Sie den Spender-Wähler (4) auf Position 'A'.
- Füllen Sie das Milchgefäß mit ausreichend kalter Milch.
- Stellen Sie das Milchgefäß so nahe wie möglich an die linke Seite des Geräts. Vergewissern Sie sich, dass das flexible Rohr (21) bis zur Unterseite des Milchgefäßes reicht.
- Stellen Sie die Tasse auf das Tassentablett (11) direkt unter dem Milchschaumspender (8).
- Drücken Sie auf die Ein-/Aus-Taste (1), um das Gerät einzuschalten. Die Start-/Stopp-Taste (2) blinkt rot. Die Start-/Stopp-Taste (2) wird grün, wenn das Gerät gebrauchsbereit ist.
- Stellen Sie den Spender-Wähler (4) auf Position 'C'. Die Ein-/Aus-Taste (1) wird blau. Die Start-/Stopp-Taste (2) blinkt rot.

Die Start-/Stopp-Taste (2) wird grün, wenn das Gerät gebrauchsbereit ist.

- Stellen Sie den Tassengröße-Wähler (3) auf die erforderliche Position.
- Drücken Sie auf die Start-/Stopp-Taste (2).
- Um die Vorgang zu unterbrechen, drücken Sie erneut auf die Start-/Stopp-Taste (2).
- Ist der Vorgang abgeschlossen, stellen Sie den Spender-Wähler (4) auf Position 'A'.

Hinweise für den Gebrauch

(Abb. A & H)

Espresso

Espresso ist eine konzentrierte Kaffeesorte, die gebrüht wird, indem heißes Wasser oder Dampf unter Druck durch fein gemahlene Kaffeebohnen dringt.

Zu den Charakteristiken von Espresso zählen:

- der Kaffee ist stärker als normaler Kaffee
- der Kaffee enthält mehr ungelöste Bestandteile als normaler Kaffee
- weniger Kaffee in einer Tasse als bei normalem Kaffee (25 - 30 ml)
- Verwenden Sie Kaffeepads mit einer stärkeren Sorte geröstetem Kaffee oder verwenden Sie Espresso-Pulver in der Kasette für gemahlene Kaffee.
- Stellen Sie den Tassengröße-Wähler (3) auf die erforderliche Position:
 - Stellen Sie den Tassengröße-Wähler (3) für normalen Espresso auf Position 'A'.
 - Stellen Sie den Tassengröße-Wähler (3) für einen langen Espresso in die Mitte zwischen Position 'A' und 'B'.

Cappuccino

Cappuccino ist eine Kaffeesorte, die aus 1/3 Espresso, 1/3 heißer Milch und 1/3 Milchschaum besteht.

- Bereiten Sie einen Espresso in einer vorgeheizten Tasse (150 - 200 ml) wie oben beschrieben zu.
- Stellen Sie den Tassengröße-Wähler (3) auf Position 'A'.
- Geben Sie dem Espresso den Milchschaum hinzu.
- Streuen Sie etwas Kakaopulver auf den Milchschaum.
- Streuen Sie als Weihnachtsspezialität etwas Zimt auf den Milchschaum.

Latte Macchiato

Latte Macchiato ist im Prinzip ein umgedrehter Caffè Latte, bei dem der Espresso auf die Milch aufgegossen wird.

- Stellen Sie den Tassengröße-Wähler (3) auf Position 'B'.
- Geben Sie den Milchschaum in ein Glas (200 - 250 ml).
- Lassen Sie das Glas eine kurze Zeit ruhen oder stoßen Sie es sanft an, um eine bessere Trennung der Schichten zu erhalten.
- Bereiten Sie wie oben beschrieben einen Espresso im Glas zu.
- Falls Sie nicht sofort verschiedene Schichten erhalten, versuchen Sie, den Kaffee über die Rückseite eines Löffels in den Milchschaum zu leiten.
- Streuen Sie etwas Schokoladenflocken oder Kakaopulver auf den Milchschaum.

Café Mocha

Café Mocha ist eine Kaffeesorte, die aus 1/3 Espresso, 1/3 heißer Schokolade und 1/3 Milchschaum besteht.

- Bereiten Sie einen Espresso in einer vorgeheizten Tasse (150 - 200 ml) wie oben beschrieben zu.
- Stellen Sie den Tassengröße-Wähler (3) auf Position 'A'.
- Geben Sie die heiße Schokolade in den Espresso.
- Geben Sie den Milchschaum zum Espresso mit der heißen Schokolade.

Aufgeschäumter Kakao

- Gießen Sie frische Milch in ein geeignetes Milchgefäß.
- Geben Sie die erforderliche Menge Instant-Kakaopulver in die Milch.
- Rühren Sie das Kakaopulver durch die Milch direkt in das Milchgefäß.
- Schäumen Sie die Milch mit dem Kakaopulver auf.

Reinigung und Wartung

Bevor Sie fortfahren, beachten Sie bitte unbedingt die folgenden Hinweise:

- Schalten Sie das Gerät vor der Reinigung und Wartung stets aus und ziehen Sie den Netzstecker aus der Wandsteckdose.

- Tauchen Sie das Gerät niemals in Wasser oder andere Flüssigkeiten ein.

Bevor Sie fortfahren, richten Sie bitte Ihre Aufmerksamkeit auf folgende Hinweise:

- Verwenden Sie keine aggressiven oder scheuernden Reinigungsmittel, um das Gerät und seine verschiedenen Teile zu reinigen.
- Verwenden Sie keine scharfen Gegenstände, um das Gerät zu reinigen.

- Kontrollieren Sie das Gerät regelmäßig auf mögliche Schäden.

- Reinigen Sie das Äußere des Geräts mit einem weichen, feuchten Tuch. Trocknen Sie das Äußere des Geräts gründlich mit einem sauberen, trockenen Tuch.

- Reinigen Sie das Zubehör:

- Reinigen Sie den Kaffeespender in Seifenwasser.
- Reinigen Sie die Kaffeepad-Kassette und die Kassette für gemahlene Kaffee in Seifenwasser.
- Reinigen Sie das Tassentablett und das Tropftablett in Seifenwasser.
- Reinigen Sie den Wasserbehälter und den Deckel des Wasserbehälters in Seifenwasser.
- Spülen Sie das Zubehör unter fließendem Wasser.
- Trocknen Sie das Zubehör gründlich mit einem sauberen, trockenen Tuch.

Reinigung des Wasserbehälters (Abb. A, C & E)

Der Wasserbehälter (13) muss gereinigt werden, falls er einige Tage nicht verwendet wurde.

- Füllen Sie den Wasserbehälter (13) an der Einfüllöffnung des Deckels (18) bis zur Maximalmarke mit Wasser.
- Setzen Sie den Deckel (18) auf den Wasserbehälter (13).
- Setzen Sie den Wasserbehälter (13) in das Gerät ein.
- Setzen Sie die leere Kaffeepad-Kassette (9) in das Gerät ein.

- Stellen Sie zwei Tassen unter den Kaffeespender (5).
- Stellen Sie den Spender-Wähler (4) auf Position 'D'.
- Drücken Sie auf die Ein-/Aus-Taste (1), um das Gerät einzuschalten.
- Drücken Sie gleichzeitig kurz auf die Ein-/Aus-Taste (1) und auf die Start-/Stopp-Taste (2). Die Pumpe schaltet automatisch aus.
- Stellen Sie den Spender-Wähler (4) auf Position 'A'.
- Stellen Sie den Spender-Wähler (4) auf Position 'C'. Die Ein-/Aus-Taste (1) wird blau. Die Start-/Stopp-Taste (2) blinkt rot. Die Start-/Stopp-Taste (2) wird grün, wenn das Gerät gebrauchsbereit ist.
- Stellen Sie den Fassengröße-Wähler (3) auf Position 'D'.
- Drücken Sie auf die Start-/Stopp-Taste (2).
- Ist der Vorgang abgeschlossen, stellen Sie den Spender-Wähler (4) auf Position 'A'.

Reinigung des Kaffeespenderfilters (Abb. A)

Die Qualität der Sahneschicht nimmt ab, wenn der Kaffeespenderfilter mit Kalzium oder Kaffeerückständen zugesetzt ist. Der Kaffeespenderfilter muss regelmäßig gereinigt werden.

Bevor Sie fortfahren, richten Sie bitte Ihre Aufmerksamkeit auf folgende Hinweise:

- Sind die beiden Filter des Kaffeespenderfilters aneinander gedrückt, erneuern Sie den Kaffeespenderfilter.
- Reinigen Sie den Kaffeespenderfilter (6) mit einer weichen Bürste in Seifenwasser, um die Kaffeerückstände zu entfernen.
- Gießen Sie etwas Entkalker durch die Öffnung des Kaffeespenderfilters (6), um das Kalzium zu entfernen.
- Spülen Sie den Kaffeespenderfilter (6) unter fließendem Wasser.

Reinigung der Milchschaumeinheit (Abb. A, B, C & K)

Direkt nach dem Gebrauch

Die Milchschaumeinheit muss direkt nach dem Gebrauch gereinigt werden, wenn das Gerät nicht innerhalb von 30 Minuten erneut verwendet wird.

- Reinigen Sie nach jedem Gebrauch den Luftkanal (29) im Rohradapter (22) der Milchschaumeinheit.
- Halten Sie das flexible Rohr (21) in eine Tasse mit kaltem Wasser.
- Stellen Sie eine zweite Tasse unter den Milchschaumpender (8).

Nach dem letzten Gebrauch

Die Milchschaumeinheit muss täglich nach dem letzten Milchaufschäumen gereinigt werden.

- Entfernen Sie die Milchschaumeinheit vom Gerät.
- Zerlegen Sie die Milchschaumeinheit.
- Reinigen Sie die Teile der Milchschaumeinheit mit einer weichen Bürste in Seifenwasser.
- Trocknen Sie die Teile der Milchschaumeinheit gründlich ab.
- Bauen Sie die Milchschaumeinheit zusammen.
- Montieren Sie die Milchschaumeinheit am Gerät.

Reinigung des Dampfventils (Abb. A & L)

Das Dampfventil muss monatlich oder dann, wenn das Gerät deutlich weniger Dampf erzeugt, gereinigt werden.

- Verwenden Sie den Sechskantschlüssel (25) an der Unterseite des Tropftablets (12), um das Dampfventil (24) vom Dampfauslass (26) zu entfernen.
- Reinigen Sie das Dampfventil (24) mit dem Entkalker. Spülen Sie das Dampfventil unter fließendem Wasser.
- Schrauben Sie das Dampfventil (24) von Hand wieder auf den Dampfauslass (26).

Erneuern des Anti-Kalk-Filters (Abb. A, D & E)

Der Anti-Kalk-Filter (ACF 30) ist bei unserem Kundendienst erhältlich. Für einen reinen Kaffeegeschmack entfernt der Anti-Kalk-Filter Chlor und andere Verunreinigungen aus dem Wasser.

Der Anti-Kalk-Filter muss bei einem durchschnittlichen täglichen Konsum von 8 Tassen Kaffee alle drei Monate (ca. 700 Tassen) erneuert werden.

- Nehmen Sie den Wasserbehälter (13) vom Gerät.
- Entfernen Sie den Deckel (18) vom Wasserbehälter (13).
- Entfernen Sie den Anti-Kalk-Filter (14) vom Wasserbehälter (13).
- Entfernen Sie den Anti-Kalk-Filter (14) vom Filterhalter (17) und dem Ring (16).
- Spülen Sie den neuen Anti-Kalk-Filter (14) unter fließendem Wasser.
- Setzen Sie den Anti-Kalk-Filter (14) in den Ring (16) ein.
- Setzen Sie den Filterhalter (17) auf den Ring (16). Sichern Sie den Filterhalter (17), indem Sie ihn im Uhrzeigersinn drehen.
- Setzen Sie den Anti-Kalk-Filter (14) in den Wasserbehälter (13) ein. Sichern Sie den Anti-Kalk-Filter (14), indem Sie ihn nach unten drücken, bis er einrastet.
- Setzen Sie den Deckel (18) auf den Wasserbehälter (13).
- Setzen Sie den Wasserbehälter (13) in das Gerät ein.

Das Zeitintervall für die nächste Erneuerung des Filters kann an der Austauschanzeige (15) des Anti-Kalk-Filters eingestellt werden.

- Drehen Sie die Austauschanzeige (15) des Anti-Kalk-Filters im Uhrzeigersinn, um das nächste Zeitintervall für die Erneuerung des Anti-Kalk-Filters einzustellen.

Entkalken (Abb. A, C, E & L)

Das Gerät hat eine automatische Entkalkungsanzeige, die den Benutzer informiert, wann eine Entkalkung erforderlich ist. Wenn die Ein-/Aus-Taste gelb blinkt, muss das Gerät entkalkt werden. Es ist trotzdem noch möglich, Kaffee zu kochen und heißes Wasser zuzubereiten, aber das Aufschäumen von Milch ist nicht mehr möglich.

Das automatische Entkalkungsprogramm des Geräts ist für den Gebrauch mit 125 ml durgol® swiss espresso® optimiert.

Das Produkt wird unverdünnt verwendet, ist hochwirksam und garantiert eine zuverlässige Entkalkung und somit eine lange Lebensdauer des Geräts. Der Entkalker ist bei unserem Kundendienst erhältlich.

Bevor Sie fortfahren, beachten Sie bitte unbedingt die folgenden Hinweise:

- Gehen Sie beim Entkalken des Geräts vorsichtig vor, um Schäden an Möbeln oder Kleidung zu vermeiden. Verwenden Sie Tassen, die groß genug sind, und stellen Sie sie so unter die entsprechenden Spender, dass Spritzer vermieden werden.

Bevor Sie fortfahren, richten Sie bitte Ihre Aufmerksamkeit auf folgende Hinweise:

- Verwenden Sie zum Entkalken des Geräts nur durgol® swiss espresso® in der angegebenen Menge.
- Verwenden Sie keinen Essig und kein Essigkonzentrat, um das Gerät zu entkalken.
- Verwenden Sie keine Zitronensäure, um das Gerät zu entkalken.

Einstellung des Härtebereichs

Das Gerät kann auf verschiedene Wasserhärten eingestellt werden. Die Werkseinstellung der Wasserhärte ist 4. Wenden Sie sich an Ihr Wasserwerk oder an die entsprechenden regionalen Stellen, um die Wasserhärte in Ihrem Gebiet zu erfahren. Ist die Wasserhärte in Ihrem Gebiet niedriger als 4, kann die Wasserhärteeinstellung verändert werden, um die Häufigkeit der Entkalkungen zu verringern.

- Verwenden Sie die Ein-/Aus-Taste (1), um das Gerät auf die Wasserhärte in Ihrem Gebiet einzustellen. Die Einstellung des richtigen Wasserhärtebereichs können Sie der Tabelle unten entnehmen.

Blinksignal	Wasserhärtebereich	Wasserhärte (°dH)
...	1 (weich)	0 - 7
... ..	2 (mittel)	7 - 14
... .. .	3 (hart)	14 - 21
...	4 (sehr hart)	über 21

- Drücken Sie auf die Ein-/Aus-Taste (1), um das Gerät auszuschalten.
- Drücken Sie 3 - 5 Sekunden lang auf die Start-/Stopp-Taste (2), bis die Ein-/Aus-Taste (1) gelb blinkt.
- Drücken Sie auf die Start-/Stopp-Taste (2), um den Wasserhärtebereich um eine Stufe zu erhöhen. (Nach Bereich 4 folgt wieder Bereich 1, usw.)
- Drücken Sie kurz auf die Ein-/Aus-Taste (1), um den neuen Wasserhärtebereich zu speichern. Wenn Sie die Ein-/Aus-Taste nicht innerhalb von zehn Sekunden drücken, schaltet das Gerät automatisch aus, ohne die Einstellung zu speichern.
- Wiederholen Sie die ersten beiden Schritte, um den Wasserhärtebereich zu kontrollieren.
- Stellen Sie den Spender-Wähler (4) auf Position 'B'. Stellen Sie sicher, dass der Tassengröße-Wähler (3) nach oben zeigt.
- Stellen Sie einen großen Becher (min. 250 ml) unter den Heißwasserspender (7).

Entkalkungsphase (Abb. A, C, E & L)

Die Entkalkungsphase besteht aus drei Teilen: 1 = Heißwasserfunktion; 2 = Kaffeefunktion; 3 = Dampffunktion.

Teil 1 - Heißwasserfunktion

- Drücken Sie auf die Ein-/Aus-Taste (1), um das Gerät einzuschalten.
- Drücken Sie gleichzeitig 3 - 4 Sekunden lang auf die Ein-/Aus-Taste (1) und auf die Start-/Stopp-Taste (2).

Die Pumpe läuft dreimal pro Minute eine Sekunde lang. Die Ein-/Aus-Taste bleibt gelb, solange das Entkalkungsprogramm läuft.

Teil 2 - Kaffeefunktion

Die Start-/Stopp-Taste (2) blinkt nach ca. fünf Minuten grün.

- Füllen Sie die Flüssigkeit im Becher zurück in den Wasserbehälter (13).
- Stellen Sie den Becher unter den Kaffeespender (5).
- Stellen Sie den Spender-Wähler (4) auf Position 'D'.
- Drücken Sie auf die Start-/Stopp-Taste (2).

Teil 3 - Dampffunktion

Die Start-/Stopp-Taste (2) blinkt nach ca. fünf Minuten grün.

- Füllen Sie die Flüssigkeit im Becher zurück in den Wasserbehälter (13).
- Stellen Sie den Becher unter den Dampfauslass (26).
- Stellen Sie den Spender-Wähler (4) auf Position 'C'.
- Drücken Sie auf die Start-/Stopp-Taste (2). Die Start-/Stopp-Taste (2) blinkt nach ca. fünf Minuten rot. Das automatische Entkalkungsprogramm ist abgeschlossen.

Automatisches

Entkalkungsprogramm

Das Gerät verfügt über ein automatisches Entkalkungsprogramm, das 25 - 30 Minuten benötigt. Das Entkalkungsprogramm hat zwei Phasen: 1 = Entkalkungsphase; 2 = Spülphase.

Bevor Sie fortfahren, beachten Sie bitte unbedingt die folgenden Hinweise:

- Wird das automatische Entkalkungsprogramm gestartet, kann es nicht mehr unterbrochen werden. Ziehen Sie in einem Notfall den Netzstecker aus der Wandsteckdose.

Vorbereitung (Abb. A, C, E & L)

- Verwenden Sie den Sechskantschlüssel (25) an der Unterseite des Tropftablets (12), um das Dampfventil (24) vom Dampfauslass (26) zu entfernen.
- Entfernen Sie den Anti-Kalk-Filter (14) vom Wasserbehälter (13).
- Füllen Sie den leeren Wasserbehälter (13) mit 125 ml Entkalker.
- Legen Sie das Dampfventil (24) in den Wasserbehälter.
- Setzen Sie den Deckel (18) auf den Wasserbehälter (13).
- Setzen Sie den Wasserbehälter (13) in das Gerät ein.
- Setzen Sie die leere Kaffeepad-Kassette (9) in das Gerät ein.

Spülphase (Abb. A, C, E & L)

In der Spülphase wird der Entkalker durch fließendes Wasser ausgespült. Die Spülphase besteht aus sieben Spülzyklen. Ist die Spülphase abgeschlossen, schaltet das Gerät automatisch aus.

Wenn die Start-/Stopp-Taste während der Spülphase rot blinkt, wurde der Spülvorgang unterbrochen und der Wasserbehälter muss bis zur Maximalmarke mit Wasser gefüllt werden.

- Entfernen Sie das Dampfventil (24) vom Wasserbehälter (13).
- Spülen Sie den Wasserbehälter (13).
- Füllen Sie den Wasserbehälter (13) bis zur Maximalmarke mit Wasser.
- Stellen Sie den Becher unter den Kaffeespender (5).
- Stellen Sie den Spender-Wähler (4) auf Position 'D'. Die Start-/Stopp-Taste (2) blinkt grün.
- Drücken Sie auf die Start-/Stopp-Taste (2). Der Kaffeespender (5) wird gespült.
- Blinkt die Start-/Stopp-Taste (2) grün, stellen Sie den Becher unter den Heißwasserspender (7).
- Stellen Sie den Spender-Wähler (4) auf Position 'B'. Die Start-/Stopp-Taste (2) blinkt grün.
- Drücken Sie auf die Start-/Stopp-Taste (2). Der Heißwasserspender (7) wird gespült.
- Blinkt die Start-/Stopp-Taste (2) grün, stellen Sie den Becher unter den Dampfauslass (26).
- Stellen Sie den Spender-Wähler (4) auf Position 'C'. Die Start-/Stopp-Taste (2) blinkt grün.
- Drücken Sie auf die Start-/Stopp-Taste (2). Der Dampfauslass (26) wird gespült.
- Blinkt die Start-/Stopp-Taste (2) grün, stellen Sie den Becher unter den Kaffeespender (5).
- Stellen Sie den Spender-Wähler (4) auf Position 'D'. Die Start-/Stopp-Taste (2) blinkt grün.
- Drücken Sie auf die Start-/Stopp-Taste (2). Der Kaffeespender (5) wird gespült.
- Blinkt die Start-/Stopp-Taste (2) grün, stellen Sie den Becher unter den Heißwasserspender (7).
- Stellen Sie den Spender-Wähler (4) auf Position 'B'. Die Start-/Stopp-Taste (2) blinkt grün.

- Drücken Sie auf die Start-/Stopp-Taste (2). Der Heißwasserspender (7) wird gespült.
- Blinkt die Start-/Stopp-Taste (2) grün, stellen Sie den Becher unter den Dampfauslass (26).
- Stellen Sie den Spender-Wähler (4) auf Position 'C'. Die Start-/Stopp-Taste (2) blinkt grün.
- Drücken Sie auf die Start-/Stopp-Taste (2). Der Dampfauslass (26) wird gespült.
- Blinkt die Start-/Stopp-Taste (2) grün, stellen Sie den Becher unter den Kaffeespender (5).
- Stellen Sie den Spender-Wähler (4) auf Position 'D'. Die Start-/Stopp-Taste (2) blinkt grün.
- Drücken Sie auf die Start-/Stopp-Taste (2). Der Kaffeespender (5) wird gespült.

Beendigung (Abb. L)

- Spülen Sie das Dampfventil (24).
- Schrauben Sie das Dampfventil (24) von Hand wieder auf den Dampfauslass (26).

Zusammenbau

Bevor Sie fortfahren, beachten Sie bitte unbedingt die folgenden Hinweise:

- Schalten Sie das Gerät vor dem Zusammenbau oder der Zerlegung aus und ziehen Sie den Netzstecker aus der Wandsteckdose.

Montage des Tropftabletts und des Tassentabletts (Abb. M)

- Setzen Sie das Tropftablett (12) unten im Gerät ein.
- Setzen Sie das Tassentablett (11) über das Tropftablett (12) unten im Gerät.

Anbringen des Kaffeespenders (Abb. N & O)

- Setzen Sie den Kaffeespenderfilter (6) in den Kaffeespender (5) ein.
- Bringen Sie den Kaffeespender (5) am Gerät an, indem Sie ihn gegen den Uhrzeigersinn drehen.

Anbringen der Kaffeepad-Kassette

- Falls Sie Kaffeepads verwenden, schlagen Sie im Kapitel "Zubereitung von Kaffee mit Kaffeepads" nach.

- Falls Sie gemahlene Kaffee verwenden, schlagen Sie im Kapitel "Zubereitung von gemahlendem Kaffee" nach.

Anbringen der Milchschaumeinheit (Abb. K)

- Schieben Sie das flexible Rohr (21) über den Rohradapter (22).
- Stecken Sie den Rohradapter (22) in den Milchschaumpender-Adapter (23).
- Bringen Sie den Milchschaumpender-Adapter (23) am Dampfventil (24) an.
- Bringen Sie den Milchschaumpender (8) am Milchschaumpender-Adapter (23) an.

Fehlersuche

Schlagen Sie in der Tabelle unten nach, um Probleme selbst zu beheben. Falls Sie das Problem nicht selbst lösen können, wenden Sie sich an unseren Kundendienst.

- Die rote Lampe blinkt, aber der Wasserbehälter ist gefüllt.
 - Leeren Sie den Wasserbehälter.
 - Schütteln Sie den leeren Wasserbehälter, um festzustellen, ob sich der Schwimmer ungehindert bewegt.
 - Reinigen oder entkalken Sie den Wasserbehälter.
- Der Spülvorgang kann nicht gestartet werden.
 - Vergewissern Sie sich, dass das Wasser im Wasserbehälter kalt ist.
 - Stellen Sie den Spender-Wähler auf Position 'C'.
- Während des Spülvorgangs läuft kein Wasser aus dem Spenderauslass.
 - Stellen Sie den Spender-Wähler auf Position 'D'.
- Der Spenderwähler klemmt lange bevor der Spender-Wähler auf Position 'D' gestellt werden kann.
 - Vergewissern Sie sich, dass die Kaffeepads richtig in die Kaffeepad-Kassette eingesetzt wurden.
- Wasser entweicht aus der Kaffeepad-Kassette.
 - Vergewissern Sie sich, dass die Kaffeepads richtig in die Kaffeepad-Kassette eingesetzt wurden.
- Wasser tritt unten aus dem Gerät aus.
 - Leeren Sie das Tropftablett.
 - Füllen Sie den Wasserbehälter nur bis zur Maximalmarke.
 - Entfernen Sie den Wasserbehälter nur kurz zum Füllen oder Reinigen vom Gerät.
- Der Kaffee ist zu schwach.
 - Wählen Sie eine stärkere Kaffeesorte.
 - Stellen Sie mit dem Kaffeemengen-Wähler eine geringere Kaffeemenge ein.
 - Vergewissern Sie sich, dass die Kaffeepads richtig in die Kaffeepad-Kassette eingesetzt wurden.
- Der Kaffee ist zu stark.
 - Wählen Sie eine schwächere Kaffeesorte.
 - Stellen Sie mit dem Kaffeemengen-Wähler eine größere Kaffeemenge ein.
- Die Sahneschicht lässt nach.
 - Reinigen und entkalken Sie regelmäßig den Kaffeespenderfilter.
 - Sind die beiden Filter des Kaffeespenderfilters aneinander gedrückt, erneuern Sie den Kaffeespenderfilter.
- Die Pumpe läuft zwar, aber es kommt kein Kaffee.
 - Bewegen Sie den Spender-Wähler so weit wie möglich nach links.
 - Vergewissern Sie sich, dass die mittlere Öffnung der Kaffeepad-Kassette nicht mit Kalzium oder Kaffeerückständen zugesetzt ist.
- Heißes Wasser kann nicht entfernt werden.
 - Stellen Sie den Spender-Wähler auf Position 'B'.
- Das Wasser im Wasserbehälter wird erhitzt.
 - Stellen Sie den Spender-Wähler auf Position 'B' oder 'D'.
 - Vergewissern Sie sich, dass die mittlere Öffnung der Kaffeepad-Kassette nicht mit Kalzium oder Kaffeerückständen zugesetzt ist.
- Das Gerät schaltet sich nach der Erhitzung aus.
 - Falls die Kaffeetemperatur während der Erhitzung nicht erreicht wird, schaltet das Gerät nach ca. 2 Minuten ab.
 - Verwenden Sie das Gerät nicht an Orten, die höher als 1.500 m über dem Meeresspiegel liegen.

- Der Spender-Wähler kann nicht auf Position 'A' gestellt werden. Die Pumpe läuft zwar, aber es kommt kein Kaffee.
 - Ziehen Sie den Netzstecker aus der Steckdose und lassen Sie das Gerät mehrere Stunden unbenutzt, um den Druck zu verringern.
 - Falls dies nichts hilft, entfernen Sie alle abnehmbaren Teile, legen Sie das Gerät auf die Seite und öffnen Sie die mittlere Öffnung der Kaffeepad-Kassette von unten mit einer Nadel. Seien Sie vorsichtig: Hierbei kann Kaffee herauspritzen.
- Die Kaffeemenge ist verringert.
 - Bewegen Sie den Spender-Wähler so weit wie möglich nach links.
 - Vergewissern Sie sich, dass die mittlere Öffnung der Kaffeepad-Kassette nicht mit Kalzium oder Kaffeerückständen zugesetzt ist.
- Es entwickelt sich kein Milchschaum.
 - Reinigen Sie die Milchschaumeinheit.
 - Reinigen Sie das Dampfventil.
- Der Milchschaum spritzt stark.
 - Vergewissern Sie sich, dass die Milchschaumeinheit richtig zusammengebaut und richtig angebracht ist.
- Die Milchschaumeinheit läuft ununterbrochen.
 - Falls Sie ein Milchgefäß verwenden, in dem die Milch höher als der Milchschaumspender-Adapter reicht, wird das Milchgefäß nach dem Aufschäumen der Milch trocken gesogen:
Vergewissern Sie sich, dass das Milchgefäß nicht höher als 14 cm ist.

Sicherheitsanweisungen

Allgemeine Sicherheit

- Lesen Sie das Handbuch vor dem Gebrauch genau durch. Bewahren Sie das Handbuch zur künftigen Bezugnahme auf.
 - Verwenden Sie das Gerät und sein Zubehör nur für den Zweck, für den es konstruiert wurde. Verwenden Sie das Gerät und sein Zubehör nicht für Zwecke, die nicht in diesem Handbuch beschrieben sind.
 - Verwenden Sie das Gerät nicht, wenn ein Teil oder Zubehör beschädigt oder defekt ist.
- Ist ein Teil oder Zubehör beschädigt oder defekt, muss es vom Hersteller oder einem autorisierten Reparaturbetrieb ausgetauscht werden.
- Kinder müssen stets beaufsichtigt werden, um sicherzustellen, dass sie nicht mit dem Gerät spielen.
 - Die Benutzung des Geräts durch Kinder oder durch Personen mit eingeschränkten körperlichen, sensorischen, geistigen oder motorischen Fähigkeiten oder ohne das erforderliche Wissen und die nötige Erfahrung kann gefährlich sein! Die für die Sicherheit verantwortlichen Personen müssen klare Anweisungen geben oder den Gebrauch des Geräts beaufsichtigen.
 - Verwenden Sie das Gerät nicht in der Nähe von Badewannen, Duschen, Bassins oder anderen Wasserbehältern.
 - Tauchen Sie das Gerät niemals in Wasser oder andere Flüssigkeiten ein. Falls das Gerät in Wasser oder andere Flüssigkeiten eingetaucht wurde, nehmen Sie es nicht mit Ihren Händen heraus. Ziehen Sie sofort den Netzstecker aus der Wandsteckdose. Falls das Gerät in Wasser oder andere Flüssigkeiten eingetaucht wird, darf es nicht mehr verwendet werden.

Elektrische Sicherheit

- Vergewissern Sie sich vor dem Gebrauch stets, dass die Netzspannung mit der Spannung auf dem Typenschild des Geräts übereinstimmt.
- Das Gerät ist nicht dafür ausgelegt, von einer externen Zeitschaltuhr oder einem Fernsteuersystem betrieben zu werden.
- Schließen Sie das Gerät an eine geerdete Wandsteckdose an. Verwenden Sie nötigenfalls ein geerdetes Verlängerungskabel mit einem geeigneten Durchmesser (mindestens 3 x 1 mm²).
- Stellen Sie sicher, dass kein Wasser in die Steckkontakte des Netzkabels und in das Verlängerungskabel eindringen kann.
- Wickeln Sie das Netzkabel und das Verlängerungskabel stets vollständig ab.
- Vergewissern Sie sich, dass das Netzkabel nicht an der Kante einer Arbeitsplatte hängen bleibt und nicht versehentlich daran gezogen oder darüber gestolpert wird.

- Halten Sie das Netzkabel von Hitzequellen, Öl und scharfen Kanten fern.
- Verwenden Sie das Gerät nicht, wenn das Netzkabel oder der Netzstecker beschädigt oder defekt ist. Ist das Netzkabel oder der Netzstecker beschädigt oder defekt, muss das Teil vom Hersteller oder einem autorisierten Reparaturbetrieb ausgetauscht werden.
- Ziehen Sie niemals am Netzkabel, um den Netzstecker aus der Wandsteckdose zu ziehen.
- Ziehen Sie den Netzstecker aus der Wandsteckdose, wenn das Gerät nicht gebraucht wird, sowie vor der Zerlegung bzw. dem Zusammenbau und vor der Reinigung und Wartung.

Sicherheitsanweisungen für Kaffeemaschinen

- Verwenden Sie das Gerät nicht im Freien.
- Verwenden Sie das Gerät nicht in feuchten Umgebungen.
- Verwenden Sie das Gerät nur in frostfreien Umgebungen, wenn das Gerät mit Wasser gefüllt ist.
- Stellen Sie das Gerät auf eine stabile, flache Oberfläche.
- Stellen Sie das Gerät auf eine hitzebeständige und spritzgeschützte Oberfläche.
- Stellen Sie das Gerät nicht auf ein Kochfeld.
- Stellen Sie das Gerät nicht auf heiße Oberflächen oder in die Nähe von offenen Flammen.
- Stellen Sie sicher, dass das Gerät nicht mit entzündlichem Material in Berührung kommt.
- Halten Sie das Gerät von Wärmequellen fern.
- Gehen Sie vorsichtig mit heißem Wasser und Dampf um, um Verbrennungen zu vermeiden.
- Bewahren Sie das Gerät bei Nichtgebrauch an einem trockenen Ort auf. Vergewissern Sie sich, dass Kinder keinen Zugang zu den aufbewahrten Geräten haben.

Haftungsausschluss

Änderungen vorbehalten; die Daten können ohne Vorankündigung geändert werden.

Congratulazioni!

Avete acquistato un prodotto Petra. Il nostro scopo è quello di fornire prodotti di qualità con un design gradevole, ad un prezzo interessante. Ci auguriamo che possiate usufruire di questo prodotto per molti anni a venire.

Descrizione (fig. A)

La macchina da caffè 242120 Petra è stata progettata per la preparazione di vari tipi di caffè, cioccolata calda e acqua calda. L'apparecchio è adatto esclusivamente per l'uso al coperto. L'apparecchio è adatto esclusivamente per uso domestico.

1. Pulsante di accensione/spengimento
2. Pulsante di avvio/arresto
3. Selettore della dimensione della tazza
4. Selettore del dispensatore
5. Dispensatore di caffè
6. Filtro del dispensatore di caffè
7. Dispensatore di acqua calda
8. Dispensatore di latte schiumato
9. Portacialde
10. Contenitore del caffè macinato
11. Griglia poggiatazza
12. Vassoio raccogliocce
13. Serbatoio dell'acqua
14. Filtro anti-incrostazioni
15. Indicatore di sostituzione del filtro anti-incrostazione

Primo utilizzo

Preparazione

- Lavare il dispensatore di caffè in acqua e sapone.
- Pulire il portacialde e il contenitore del caffè macinato in acqua e sapone.
- Pulire la griglia poggiatazza e il vassoio raccogliocce in acqua e sapone.
- Pulire il serbatoio dell'acqua e il relativo coperchio in acqua e sapone.
- Sciacquare gli accessori in acqua corrente.

Montaggio del filtro anti-incrostazione e del serbatoio dell'acqua (fig. A, D & E)

- Inserire il filtro anti-incrostazioni (14) nell'anello (16).
- Collocare il portafiltro (17) sull'anello (16). Bloccare il portafiltro (17) ruotandolo in senso orario.
- Collocare il filtro anti-incrostazioni (14) nel serbatoio dell'acqua (13). Bloccare il filtro anti-incrostazioni (14) premendolo verso il basso finché non scatta in posizione.
- Collocare il coperchio (18) sul serbatoio dell'acqua (13).
- Collocare il serbatoio dell'acqua (13) nell'apparecchio.

Deaerazione (fig. A, C & E)

Prima di utilizzarlo per la prima volta l'apparecchio deve essere deaerato. L'operazione di deaerazione è necessaria solo per i nuovi apparecchi.

Prima di procedere, è necessario porre attenzione alle seguenti note:

- Porre attenzione con acqua calda e vapore per evitare ustioni. Durante il processo di riscaldamento, dal dispensatore di latte schiumato può fuoriuscire del vapore.

Prima di procedere, si prega di porre attenzione alle seguenti note:

- Riempire il serbatoio dell'acqua esclusivamente con acqua fredda. Non utilizzare acqua gassata o altri liquidi per riempire il serbatoio dell'acqua.
- Riempiendo il serbatoio dell'acqua non superare il segno indicatore del massimo livello.
- Riempire il serbatoio dell'acqua (13) con acqua fino al contrassegno del massimo livello situato nell'apertura di rabbocco del coperchio (18).
- Collocare il coperchio (18) sul serbatoio dell'acqua (13).
- Collocare il serbatoio dell'acqua (13) nell'apparecchio.
- Porre il portacialde (9) vuoto nell'apparecchio.
- Posizionare una tazza sotto il dispensatore di caffè (5).



- Impostare il selettore del dispensatore (4) in posizione 'D'. Assicurarsi che il selettore della misura della tazza (3) sia rivolta verso l'alto.

Nota:

Se il portacialde non è inserito nell'apparecchio, il selettore del dispensatore non può essere impostato in posizione 'D'.

- Premere il pulsante di accensione/spengimento (1) per accendere l'apparecchio. Il pulsante di avvio/arresto (2) lampeggia in verde.
- Per iniziare la procedura di deaerazione, premere brevemente il pulsante di avvio/arresto (2). L'acqua comincia a fuoriuscire dal dispensatore di caffè (5) dopo circa 25 secondi. La pompa si spegne automaticamente.
- Impostare il selettore del dispensatore (4) in posizione 'D'. L'acqua viene riscaldata finché il pulsante di avvio/arresto (2) non passa dal verde al rosso, dopo circa 80 secondi.
- Collocare una tazza sotto il dispensatore di acqua calda (7) e una tazza sotto il dispensatore di latte schiumato (8).
- Impostare il selettore del dispensatore (4) in posizione 'B'.
- Premere brevemente il pulsante di accensione/spengimento (1) e il pulsante di avvio/arresto (2) contemporaneamente.
- Se la tazza sotto il dispensatore di acqua calda (7) è piena, impostare il selettore del dispensatore (4) in posizione 'C' mentre la pompa è in funzione. La pompa si spegne automaticamente.
- Impostare il selettore del dispensatore (4) in posizione 'A'. L'acqua viene riscaldata finché il pulsante di avvio/arresto (2) non passa dal rosso al verde.

Significato delle spie luminose

Componente	Indicazione	Significato
Pulsante di accensione/spengimento (1)	Giallo	Programma di decalcificazione
	Giallo lampeggiante	Decalcificare l'apparecchio.

Pulsante di avvio/arresto (2)	Blu	Modalità vapore attiva.
	Blu lampeggiante	Decalcificare l'apparecchio. La modalità vapore non è possibile.
Pulsante di avvio/arresto (2)	Rosso	L'apparecchio si sta riscaldando o è in fase di risciacquo.
	Rosso lampeggiante	Riempire il serbatoio dell'acqua.
	Verde	L'apparecchio è pronto all'uso.
Pulsante di avvio/arresto (2)	Verde	Spurgare il nuovo apparecchio.
	Verde lampeggiante	Spurgare il nuovo apparecchio.

Accensione e spegnimento (fig. A)

- Per accendere l'apparecchio, premere il pulsante di accensione/spengimento (1). Il pulsante di avvio/arresto (2) lampeggia in rosso. Quando il pulsante di avvio/arresto (2) diventa verde, l'apparecchio è pronto all'uso.
- Per spegnere l'apparecchio in qualsiasi momento, premere nuovamente il pulsante di accensione/spengimento (1).

Funzione di spegnimento automatico

L'apparecchio si spegne automaticamente se non viene utilizzato per un periodo di 60 minuti.

Indicatore del livello dell'acqua (fig. A)

La riserva d'acqua viene costantemente monitorata mediante un galleggiante che si sposta in alto o in basso all'interno del serbatoio dell'acqua (13). Quando il livello dell'acqua è inferiore alla quantità minima necessaria, il pulsante di avvio/arresto (2) lampeggia in rosso. Il processo riprenderà non appena il serbatoio dell'acqua (13) pieno sarà stato inserito nuovamente nell'apparecchio.

Funzione di pre-infusione

La funzione di pre-infusione garantisce che l'apparecchio fornisca inizialmente soltanto una piccola quantità d'acqua. Il processo di preparazione del caffè prosegue dopo un breve intervallo di tempo.

Impostazione della dimensione della tazza (fig.B)

Il selettore della dimensione della tazza viene utilizzato per impostare la necessaria quantità d'acqua dispensata dall'apparecchio.

- Impostare il selettore della dimensione della tazza (3) nella posizione desiderata. Per impostare la corretta dimensione della tazza, consultare la tabella sottostante.

Impostazione	Dimensione tazza
A	1 tazza di caffè espresso
B	1 tazza normale di caffè
C	1 tazza grande di caffè
D	2 tazze normali di caffè
E	1 tazza extra grande di caffè

Selezione del dispensatore (fig. C)

Il selettore del dispensatore viene utilizzato per selezionare il dispensatore necessario per il tipo di bevanda da preparare.

Prima di procedere, si prega di porre attenzione alle seguenti note:

- Dopo ciascun utilizzo, impostare il selettore del dispensatore (4) in posizione 'A'.
- Impostare il selettore del dispensatore (4) nella posizione necessaria. Per impostare il corretto dispensatore, fare riferimento alla tabella sottostante.

Impostazione	Funzione
A	OFF
B	Dispensatore di acqua calda
C	Dispensatore di latte schiumato
D	Dispensatore di caffè

Regolazione dell'altezza del dispensatore di caffè (fig. F)

È possibile regolare l'altezza del dispensatore di caffè per soddisfare le proprie necessità d'infusione del caffè.

- Ruotare il dispensatore di caffè (5) in senso orario per abbassarlo (fig. F1).
- Ruotare il dispensatore di caffè (5) in senso antiorario per sollevarlo (fig. F2).

Preparazione del caffè con cialde (fig. A, B, C, G & J)

Utilizzare cialde comuni con un diametro esterno di 7 cm.

Prima di procedere, si prega di porre attenzione alle seguenti note:

- Non utilizzare i seguenti tipi di cialde:
 - cialde con un diametro esterno inferiore a 7 cm;
 - cialde rigide per macchine da caffè espresso;
 - cialde con additivi per cappuccino, ecc.
- Non inserire nel portacialde cialde danneggiate, caffè macinato o caffè solubile sfusi.

Prima di procedere, si prega di porre attenzione alle seguenti note:

- Per inserire le cialde nel portacialde, seguire le istruzioni riportate sotto:
 - Utilizzare il lato contrassegnato '1' sul portacialde per una tazza di caffè. Utilizzare il lato contrassegnato '2' sul portacialde per due tazze di caffè.
 - Picchiettare leggermente la cialda con la punta delle dita per distribuire in modo uniforme il caffè macinato nella cialda. Eseguire un piccolo incavo nel centro della cialda.
 - Inserire nell'apparecchio cialde asimmetriche con il lato piatto rivolto verso il basso.
 - Se si usano due cialde contemporaneamente, premere saldamente la prima cialda nel recesso del portacialde con il bordo di carta rivolto verso l'alto. Quindi, inserire la seconda cialda nel portacialde secondo le istruzioni riportate sopra.

- Impostare il selettore del dispensatore (4) in posizione 'A'.
- Rimuovere il portacialde (9) dall'apparecchio.
- Inserire la cialda nel portacialde (9).
 - Per una tazza di caffè, inserire la cialda nel lato contrassegnato '1' sul portacialde (fig. G1).
 - Per due tazze di caffè, inserire le cialde nel lato contrassegnato '2' sul portacialde (fig. G2).

- Inserire il portacialde (9) nell'apparecchio con la cialda rivolta verso l'alto. Assicurarsi che la cialda non si sposti.
- Collocare il numero di tazze desiderato sotto il dispensatore di caffè (5).
 - Per preparare una tazza, collocare la tazza sotto entrambi gli ugelli del dispensatore di caffè (fig. J1).
 - Per preparare due tazze, collocare una tazza sotto l'ugello di sinistra e una sotto l'ugello di destra del dispensatore di caffè (fig. J2).
- Premere il pulsante di accensione/spengimento (1) per accendere l'apparecchio. Il pulsante di avvio/arresto (2) lampeggia in rosso. Quando il pulsante di avvio/arresto (2) diventa verde, l'apparecchio è pronto all'uso.
- Impostare il selettore del dispensatore (4) in posizione 'D'.
- Impostare il selettore della dimensione della tazza (3) nella posizione desiderata.
- Premere il pulsante di avvio/arresto (2).
- Per interrompere il processo, premere nuovamente il pulsante di avvio/arresto (2).
- Quando il processo è completato, impostare il selettore del dispensatore (4) in posizione 'A'.
- Inserire il contenitore del caffè macinato (10) nel lato contrassegnato '2' del portacialde (9).
- Inserire il portacialde (9) nell'apparecchio con il contenitore del caffè macinato rivolto verso l'alto.
- Collocare il numero di tazze desiderato sotto il dispensatore di caffè (5).
 - Per preparare una tazza, collocare la tazza sotto entrambi gli ugelli del dispensatore di caffè (fig. J1).
 - Per preparare due tazze, collocare una tazza sotto l'ugello di sinistra e una sotto l'ugello di destra del dispensatore di caffè (fig. J2).
- Premere il pulsante di accensione/spengimento (1) per accendere l'apparecchio. Il pulsante di avvio/arresto (2) diventa rosso. Quando il pulsante di avvio/arresto (2) diventa verde, l'apparecchio è pronto all'uso.
- Impostare il selettore del dispensatore (4) in posizione 'D'.
- Impostare il selettore della dimensione della tazza (3) nella posizione desiderata.
- Premere il pulsante di avvio/arresto (2).
- Per interrompere il processo, premere nuovamente il pulsante di avvio/arresto (2).
- Quando il processo è completato, impostare il selettore del dispensatore (4) in posizione 'A'.

Preparazione del caffè con caffè macinato (fig. A, B, C, H, I & J)

Utilizzare da 5,5 a 7,5 grammi di caffè macinato, in base alla qualità del caffè.

- Impostare il selettore del dispensatore (4) in posizione 'A'.
- Rimuovere il portacialde (9) dall'apparecchio.
- Se necessario, inserire il filtro di carta (19) nel contenitore del caffè macinato (10).
- Porre il caffè macinato nel relativo contenitore (10).
 - Se si desidera un caffè normale, inserire un po' di caffè macinato nel relativo contenitore.
 - Se si desidera un caffè espresso, inserire un po' di polvere per caffè espresso nel contenitore del caffè macinato.
- Collocare il coperchio (20) sul contenitore del caffè macinato (10).

Dispensatore di acqua calda (fig. A, B & C)

È possibile utilizzare il dispensatore di acqua calda per la preparazione di tè o bevande solubili.

Prima di procedere, è necessario porre attenzione alle seguenti note:

- Porre attenzione con acqua calda e vapore per evitare ustioni.
- Impostare il selettore del dispensatore (4) in posizione 'A'.
- Collocare la tazza sopra la griglia poggiatazza (11) direttamente sotto il dispensatore di acqua calda (7).
- Premere il pulsante di accensione/spengimento (1) per accendere l'apparecchio.

- Il pulsante di avvio/arresto (2) diventa rosso. Quando il pulsante di avvio/arresto (2) diventa verde, l'apparecchio è pronto all'uso.
- Impostare il selettore del dispensatore (4) in posizione 'B'.
 - Impostare il selettore della dimensione della tazza (3) nella posizione desiderata.
 - Premere il pulsante di avvio/arresto (2).
 - Per interrompere il processo, premere nuovamente il pulsante di avvio/arresto (2).
 - Quando il processo è completato, impostare il selettore del dispensatore (4) in posizione 'A'.

Montalatte (fig. A, B, C & K)

Il dispositivo montalatte combina vapore, latte e aria per distribuire un flusso di latte schiumato direttamente nella tazza.

Prima di procedere, è necessario porre attenzione alle seguenti note:

- Porre attenzione con acqua calda e vapore per evitare ustioni.
- Rimuovere il bricco del latte e la tazza soltanto quando il processo di schiumatura del latte è stato completato. Il processo di schiumatura del latte non si arresta all'istante.

Prima di procedere, si prega di porre attenzione alle seguenti note:

- utilizzare il montalatte soltanto se sono soddisfatte le seguenti condizioni:
 - Il montalatte deve essere assemblato correttamente.
 - Il montalatte deve essere montato correttamente nell'apparecchio.
 - Una tazza deve essere collocata direttamente sotto il dispensatore di latte schiumato.
 - Un bricco di latte adatto, riempito con una quantità sufficiente di latte freddo, deve essere posto il più vicino possibile al lato sinistro dell'apparecchio. Il tubo flessibile deve toccare il fondo del bricco di latte.
- Impostare il selettore del dispensatore (4) in posizione 'A'.
- Riempire il bricco del latte con una quantità sufficiente di latte freddo.

- Posizionare il bricco del latte il più vicino possibile al lato sinistro dell'apparecchio. Verificare che il tubo flessibile (21) raggiunga il fondo del bricco.
- Collocare la tazza sopra la griglia poggiatazza (11) direttamente sotto il dispensatore di latte schiumato (8).
- Premere il pulsante di accensione/spengimento (1) per accendere l'apparecchio. Il pulsante di avvio/arresto (2) lampeggia in rosso. Quando il pulsante di avvio/arresto (2) diventa verde, l'apparecchio è pronto all'uso.
- Impostare il selettore del dispensatore (4) in posizione 'C'. Il pulsante di accensione/spengimento diventa blu. Il pulsante di avvio/arresto (2) lampeggia in rosso. Quando il pulsante di avvio/arresto (2) diventa verde, l'apparecchio è pronto all'uso.
- Impostare il selettore della dimensione della tazza (3) nella posizione desiderata.
- Premere il pulsante di avvio/arresto (2).
- Per interrompere il processo, premere nuovamente il pulsante di avvio/arresto (2).
- Quando il processo è completato, impostare il selettore del dispensatore (4) in posizione 'A'.

Suggerimenti per l'uso (fig. A & H) Caffè espresso

Il caffè espresso è un tipo di caffè concentrato preparato facendo passare acqua calda o vapore sotto pressione attraverso caffè macinato finemente. Le caratteristiche che determinano il caffè espresso includono:

- una concentrazione di caffè superiore al caffè normale
- una maggiore quantità di solidi disciolti rispetto al caffè normale
- una quantità inferiore di caffè in una tazza rispetto al caffè normale (da 25 a 30 ml)
- Utilizzare cialde con un tipo più forte di caffè tostato oppure utilizzare polvere per caffè espresso nel contenitore del caffè macinato.
- Impostare il selettore della dimensione della tazza (3) nella posizione desiderata:
 - Per un caffè espresso normale, impostare il selettore della dimensione della tazza (3) in posizione 'A'.



- Per un caffè espresso lungo, impostare il selettore della dimensione della tazza (3) nel centro tra la posizione 'A' e la posizione 'B'.

Cappuccino

Il cappuccino è un tipo di caffè composto da 1/3 di caffè espresso, 1/3 di latte caldo e 1/3 di latte schiumato.

- Preparare un caffè espresso in una tazza preriscaldata (150 - 200 ml) come descritto sopra.
- Impostare il selettore della dimensione della tazza (3) in posizione 'A'.
- Aggiungere il latte schiumato al caffè espresso.
- Spolverizzare della polvere di cacao sul latte schiumato.
- Come specialità natalizia, spolverizzare della cannella sul latte schiumato.

Latte macchiato

Essenzialmente il latte macchiato è un caffè-latte invertito, composto da caffè espresso versato sul latte.

- Impostare il selettore della dimensione della tazza (3) in posizione 'B'.
- Porre il latte schiumato in un bicchiere (200 - 250 ml).
- Far riposare il bicchiere di latte per un breve periodo di tempo oppure picchiare delicatamente il bicchiere per ottenere una migliore separazione degli strati.
- Preparare un caffè espresso nel bicchiere come descritto sopra.
- Se non si ottengono immediatamente strati separati, tentare di far scendere il caffè con il fondo di un cucchiaino nel latte schiumato.
- Spolverizzare dei fiocchi di cioccolato o della polvere di cacao sul latte schiumato.

Caffè moka

Il caffè moka è un tipo di caffè composto da 1/3 di caffè espresso, 1/3 di cioccolata calda e 1/3 di latte schiumato.

- Preparare un caffè espresso in una tazza preriscaldata (150 - 200 ml) come descritto sopra.

- Impostare il selettore della dimensione della tazza (3) in posizione 'A'.
- Aggiungere la cioccolata calda al caffè espresso.
- Aggiungere il latte schiumato al caffè espresso con cioccolata calda.

Cacao schiumato

- Porre del latte fresco in un apposito bricco del latte.
- Aggiungere al latte la quantità necessaria di polvere di cacao solubile.
- Mescolare la polvere di cacao nel latte direttamente nel bricco del latte.
- Montare il latte con la polvere di cacao.

Pulizia e manutenzione

Prima di procedere, è necessario porre attenzione alle seguenti note:

- Prima di qualsiasi operazione di pulizia o manutenzione, spegnere sempre l'apparecchio e staccare la spina di alimentazione dalla presa a parete.
- Non immergere l'apparecchio in acqua o in altri liquidi.

Prima di procedere, si prega di porre attenzione alle seguenti note:

- Per pulire l'apparecchio e le varie parti che lo compongono, non utilizzare detergenti aggressivi o abrasivi.
- Non utilizzare oggetti affilati per pulire l'apparecchio.

- Controllare l'apparecchio a intervalli regolari, verificando che non sia danneggiato.
- Pulire l'esterno dell'apparecchio con un panno morbido inumidito. Asciugare a fondo l'esterno dell'apparecchio con un panno pulito e asciutto.
- Pulizia degli accessori:
 - Lavare il dispensatore di caffè in acqua e sapone.
 - Pulire il portacialde e il contenitore del caffè macinato in acqua e sapone.
 - Pulire la griglia poggiatazza e il vassoio raccogliocce in acqua e sapone.
 - Pulire il serbatoio dell'acqua e il relativo coperchio in acqua e sapone.

- Sciacquare gli accessori in acqua corrente.
- Asciugare a fondo gli accessori con un panno pulito e asciutto.

Pulizia del serbatoio dell'acqua (fig. A, C & E)

Se il serbatoio dell'acqua (13) non viene utilizzato per un paio di giorni è necessario pulirlo.

- Riempire il serbatoio dell'acqua (13) con acqua fino al contrassegno del massimo livello situato nell'apertura di rabocco del coperchio (18).
- Collocare il coperchio (18) sul serbatoio dell'acqua (13).
- Collocare il serbatoio dell'acqua (13) nell'apparecchio.
- Porre il portacialde (9) vuoto nell'apparecchio.
- Posizionare due tazze sotto il dispensatore di caffè (5).
- Impostare il selettore del dispensatore (4) in posizione 'D'.
- Premere il pulsante di accensione/spengimento (1) per accendere l'apparecchio.
- Premere brevemente il pulsante di accensione/spengimento (1) e il pulsante di avvio/arresto (2) contemporaneamente. La pompa si spegne automaticamente.
- Impostare il selettore del dispensatore (4) in posizione 'A'.

Pulizia del filtro del dispensatore di caffè (fig. A)

La qualità dello strato di crema si riduce quando il filtro del dispensatore di caffè è ostruito da calcare o da residui di caffè. Il filtro del dispensatore di caffè deve essere pulito regolarmente.

Prima di procedere, si prega di porre attenzione alle seguenti note:

- Se i due filtri all'interno del filtro del dispensatore di caffè sono compressi l'uno sull'altro, sostituire il filtro del dispensatore di caffè.
- Pulire il filtro del dispensatore di caffè (6) in acqua e sapone utilizzando una spazzola morbida per rimuovere i residui di caffè.

- Versare una piccola quantità di decalcificante attraverso l'apertura del filtro del dispensatore di caffè (6) per rimuovere il calcare.
- Sciacquare il filtro del dispensatore di caffè (6) in acqua corrente.

Pulizia del montalatte (fig. A, B, C & K)

Subito dopo l'uso

Il montalatte deve essere pulito subito dopo l'uso, a meno che l'apparecchio non sia utilizzato nuovamente entro 30 minuti.

- Pulire il canale dell'aria (29) nell'adattatore del tubo (22) del montalatte dopo ogni uso.
- Collocare il tubo flessibile (21) in una tazza contenente acqua fredda.
- Collocare un'altra tazza sotto il dispensatore di latte schiumato (8).
- Impostare il selettore del dispensatore (4) in posizione 'C'. Il pulsante di accensione/spengimento diventa blu. Il pulsante di avvio/arresto (2) lampeggia in rosso. Quando il pulsante di avvio/arresto (2) diventa verde, l'apparecchio è pronto all'uso.
- Impostare il selettore della dimensione della tazza (3) in posizione 'D'.
- Premere il pulsante di avvio/arresto (2).
- Quando il processo è completato, impostare il selettore del dispensatore (4) in posizione 'A'.

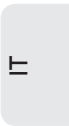
Dopo l'ultimo uso

Il montalatte deve essere pulito quotidianamente dopo l'ultimo processo di schiumatura del latte.

- Rimuovere il montalatte dall'apparecchio.
- Smontare il montalatte.
- Pulire le singole parti in acqua e sapone utilizzando una spazzola morbida.
- Asciugare completamente le parti del montalatte.
- Assemblare il montalatte.
- Montare il montalatte sull'apparecchio.

Pulizia della valvola del vapore (fig. A & L)

La valvola del vapore deve essere pulita mensilmente e quando l'apparecchio produce una quantità nettamente inferiore di vapore.



- Per rimuovere la valvola del vapore (24) dall'apertura di uscita del vapore (26), utilizzare la chiave esagonale (25) posta nella parte inferiore del vassoio raccogliogocce (12).
- Pulire la valvola (24) utilizzando un decalcificante. Sciacquare la valvola in acqua corrente.
- Riavvitare manualmente la valvola del vapore (24) sull'apertura di uscita del vapore (26).

Sostituzione del filtro anti-incrostazioni (fig. A, D & E)

Il filtro anti-incrostazioni (ACF 30) è disponibile presso il nostro centro di assistenza. Il filtro anti-incrostazione consente di rimuovere dall'acqua cloro e altri contaminanti, per ottenere un caffè dal gusto perfetto.

Il filtro anti-incrostazione deve essere sostituito ogni tre mesi per un consumo giornaliero medio di 8 tazze di caffè (circa 700 tazze).

- Rimuovere il serbatoio dell'acqua (13) dall'apparecchio.
- Rimuovere il coperchio (18) dal serbatoio dell'acqua (13).
- Rimuovere il filtro anti-incrostazione (14) dal serbatoio dell'acqua (13).
- Rimuovere il filtro anti-incrostazione (14) dal portafiltro (17) e dall'anello (16).
- Sciacquare il nuovo filtro anti-incrostazioni (14) in acqua corrente.
- Inserire il filtro anti-incrostazioni (14) nell'anello (16).
- Collocare il portafiltro (17) sull'anello (16). Bloccare il portafiltro (17) ruotandolo in senso orario.
- Collocare il filtro anti-incrostazioni (14) nel serbatoio dell'acqua (13). Bloccare il filtro anti-incrostazioni (14) premendolo verso il basso finché non scatta in posizione.
- Collocare il coperchio (18) sul serbatoio dell'acqua (13).
- Collocare il serbatoio dell'acqua (13) nell'apparecchio.

È possibile impostare il successivo intervallo per la sostituzione del filtro, utilizzando l'indicatore di sostituzione del filtro anti-incrostazioni (15).

- Ruotare l'indicatore (15) in senso orario per impostare il successivo intervallo di tempo per la sostituzione del filtro anti-incrostazioni.

Decalcificazione (fig. A, C, E & L)

L'apparecchio è dotato di un indicatore automatico di decalcificazione che indica all'utente quando è necessario eseguire la decalcificazione. Se il pulsante di accensione/ spegnimento lampeggia in giallo, l'apparecchio deve essere decalcificato. È ancora possibile preparare caffè e acqua calda, ma non è più possibile schiumare il latte.

Il programma automatico di decalcificazione dell'apparecchio è ottimizzato per l'uso di 125 ml di durgol® swiss espresso®. Il prodotto viene utilizzato puro, è estremamente efficace e garantisce una decalcificazione affidabile e pertanto una prolungata durata operativa dell'apparecchio. L'agente decalcificante è disponibile presso il centro assistenza.

Prima di procedere, è necessario porre attenzione alle seguenti note:

- Durante la procedura di decalcificazione porre estrema attenzione per evitare danni agli arredi o agli indumenti. Utilizzare tazze delle massime dimensioni possibile e collocarle sotto i rispettivi dispensatori in modo da evitare schizzi.

Prima di procedere, si prega di porre attenzione alle seguenti note:

- Per decalcificare l'apparecchio utilizzare esclusivamente durgol® swiss espresso® nella quantità specificata.
- Non utilizzare aceto o aceto concentrato per decalcificare l'apparecchio.
- Non utilizzare acido citrico per decalcificare l'apparecchio.

Impostazione dell'intervallo di durezza dell'acqua

L'apparecchio può essere impostato per diversi valori di durezza dell'acqua. L'impostazione di fabbrica per la durezza dell'acqua è 4.

Per informazioni sull'intervallo di durezza dell'acqua nella propria zona, contattare la società di gestione idrica o le autorità pertinenti locali. Se la durezza dell'acqua nella propria zona è inferiore a 4, è possibile modificare l'impostazione della durezza dell'acqua per ridurre il numero di procedure di decalcificazione dell'apparecchio.

- Per impostare l'apparecchio in base alla durezza dell'acqua presente nella propria zona, utilizzare il pulsante di accensione/spengimento (1). Per impostare il corretto intervallo di durezza dell'acqua, fare riferimento alla tabella sottostante.

Segnale lampeggiante	Intervallo di durezza dell'acqua	Durezza dell'acqua (°dH)
...	1 (tenera)	0 - 7
... ..	2 (media)	7 - 14
... .. .	3 (dura)	14 - 21
...	4 (molto dura)	sopra 21

- Premere il pulsante di accensione/spengimento (1) per spegnere l'apparecchio.
- Premere per 3 - 5 secondi il pulsante di avvio/arresto (2), finché il pulsante di accensione/spengimento non lampeggia in giallo.
- Premere il pulsante di avvio/arresto (2) per aumentare di un livello l'intervallo di durezza dell'acqua. (L'intervallo 4 è seguito dall'intervallo 1, ecc.)
- Premere brevemente il pulsante di accensione/spengimento (1) per salvare il nuovo intervallo di durezza dell'acqua. Se non si preme il pulsante di accensione/spengimento entro dieci secondi, l'apparecchio si spegnerà automaticamente senza salvare l'impostazione.
- Ripetere i primi due punti per controllare l'intervallo di durezza dell'acqua.

Programma automatico di decalcificazione

L'apparecchio è dotato di un programma automatico di decalcificazione che dura dai 25 ai 30 minuti. Tale programma di decalcificazione comprende due fasi: 1 = fase di decalcificazione; 2 = fase di risciacquo.

Prima di procedere, è necessario porre attenzione alle seguenti note:

- Quando il programma automatico di decalcificazione è iniziato non può essere interrotto. In caso di emergenza, scollegare la spina di alimentazione dalla presa a parete.

Preparazione (fig. A, C, E & L)

- Per rimuovere la valvola del vapore (24) dall'apertura di uscita del vapore (26), utilizzare la chiave esagonale (25) posta nella parte inferiore del vassoio raccogli-gocce (12).
- Rimuovere il filtro anti-incrostazione (14) dal serbatoio dell'acqua (13).
- Riempire il serbatoio dell'acqua (13) vuoto con 125 ml di agente decalcificante.
- Inserire la valvola del vapore (24) nel serbatoio dell'acqua.
- Collocare il coperchio (18) sul serbatoio dell'acqua (13).
- Collocare il serbatoio dell'acqua (13) nell'apparecchio.
- Inserire il portacialde (9) vuoto nell'apparecchio.
- Impostare il selettore del dispensatore (4) in posizione 'B'. Assicurarsi che il selettore della misura della tazza (3) sia rivolta verso l'alto.
- Porre una grande tazza alta (min. 250 ml) sotto il dispensatore di acqua calda (7).

Fase di decalcificazione (fig. A, C, E & L)

La fase di decalcificazione consiste di tre parti: 1 = funzione acqua calda; 2 = funzione caffè; 3 = funzione vapore.

Parte 1: funzione acqua calda

- Premere il pulsante di accensione/spengimento (1) per accendere l'apparecchio.
- Premere contemporaneamente per 3 - 4 secondi il pulsante di accensione/spengimento (1) e il pulsante di avvio / arresto (2).

La pompa entra in funzione per un secondo tre volte al minuto. Il pulsante di accensione/spengimento rimane giallo finché il programma di decalcificazione è in esecuzione.

Parte 2: funzione caffè

Il pulsante di avvio/arresto (2) lampeggia in verde dopo circa cinque minuti.

- Versare nuovamente nel serbatoio dell'acqua (13) il liquido contenuto nella tazza alta.
- Collocare la tazza alta sotto il dispensatore di caffè (5).
- Impostare il selettore del dispensatore (4) in posizione 'D'.
- Premere il pulsante di avvio/arresto (2).



Parte 3: funzione vapore

Il pulsante di avvio/arresto (2) lampeggia in verde dopo circa cinque minuti.

- Versare nuovamente nel serbatoio dell'acqua (13) il liquido contenuto nella tazza alta.
- Posizionare la tazza alta sotto l'apertura di uscita del vapore (26).
- Impostare il selettore del dispensatore (4) in posizione 'C'.
- Premere il pulsante di avvio/arresto (2).

Il pulsante di avvio/arresto (2) lampeggia in rosso dopo circa cinque minuti. Il programma automatico di decalcificazione è terminato.

Fase di risciacquo (fig. A, C, E & L)

Durante la fase di risciacquo, l'agente decalcificante viene sciacquato in acqua corrente. La fase di risciacquo è composta da sette cicli di risciacquo. Quando la fase di risciacquo è terminata, l'apparecchio si spegne automaticamente.

Se durante tale fase il pulsante di accensione/spengimento lampeggia in rosso, il risciacquo viene interrotto e il serbatoio dell'acqua dovrà essere riempito con acqua fino al segno indicatore di massimo livello.

- Rimuovere la valvola del vapore (24) dal serbatoio dell'acqua (13).
- Sciacquare il serbatoio dell'acqua (13).
- Riempire il serbatoio (13) con acqua fino al contrassegno di massimo livello.
- Collocare la tazza alta sotto il dispensatore di caffè (5).
- Impostare il selettore del dispensatore (4) in posizione 'D'. Il pulsante di avvio/arresto (2) lampeggia in verde.
- Premere il pulsante di avvio/arresto (2). Il dispensatore di caffè (5) è in fase di risciacquo.
- Se il pulsante di avvio/arresto (2) lampeggia in verde, collocare la tazza alta sotto il dispensatore di acqua calda (7).
- Impostare il selettore del dispensatore (4) in posizione 'B'. Il pulsante di avvio/arresto (2) lampeggia in verde.
- Premere il pulsante di avvio/arresto (2). Il dispensatore di acqua calda (7) è in fase di risciacquo.

- Se il pulsante di avvio/arresto (2) lampeggia in verde, collocare la tazza alta sotto l'apertura di uscita del vapore (26).
- Impostare il selettore del dispensatore (4) in posizione 'C'. Il pulsante di avvio/arresto (2) lampeggia in verde.
- Premere il pulsante di avvio/arresto (2). L'apertura di uscita del vapore (26) è in fase di risciacquo.
- Se il pulsante di avvio/arresto (2) lampeggia in verde, collocare la tazza alta sotto il dispensatore di caffè (5).
- Impostare il selettore del dispensatore (4) in posizione 'D'. Il pulsante di avvio/arresto (2) lampeggia in verde.
- Premere il pulsante di avvio/arresto (2). Il dispensatore di caffè (5) è in fase di risciacquo.
- Se il pulsante di avvio/arresto (2) lampeggia in verde, collocare la tazza alta sotto il dispensatore di acqua calda (7).
- Impostare il selettore del dispensatore (4) in posizione 'B'. Il pulsante di avvio/arresto (2) lampeggia in verde.
- Premere il pulsante di avvio/arresto (2). Il dispensatore di acqua calda (7) è in fase di risciacquo.
- Se il pulsante di avvio/arresto (2) lampeggia in verde, collocare la tazza alta sotto l'apertura di uscita del vapore (26).
- Impostare il selettore del dispensatore (4) in posizione 'C'. Il pulsante di avvio/arresto (2) lampeggia in verde.
- Premere il pulsante di avvio/arresto (2). L'apertura di uscita del vapore (26) è in fase di risciacquo.
- Se il pulsante di avvio/arresto (2) lampeggia in verde, collocare la tazza alta sotto il dispensatore di caffè (5).
- Impostare il selettore del dispensatore (4) in posizione 'D'. Il pulsante di avvio/arresto (2) lampeggia in verde.
- Premere il pulsante di avvio/arresto (2). Il dispensatore di caffè (5) è in fase di risciacquo.

Completamento (fig. L)

- Sciacquare la valvola del vapore (24).
- Riattivare manualmente la valvola del vapore (24) sull'apertura di uscita del vapore (26).

Montaggio

Prima di procedere, è necessario porre attenzione alle seguenti note:

- Prima del montaggio o dello smontaggio, spegnere l'apparecchio e staccare la spina di alimentazione dalla presa a parete.

Montaggio della griglia poggiatazza e del vassoio raccogliocce (fig. M)

- Collocare il vassoio raccogliocce (12) sul fondo dell'apparecchio.
- Collocare la griglia poggiatazza (11) sopra il vassoio raccogliocce (12) sul fondo dell'apparecchio.

Montaggio del dispensatore di caffè (fig. N & O)

- Inserire il filtro del dispensatore di caffè (6) nel dispensatore di caffè (5).
- Montare il dispensatore di caffè (5) sull'apparecchio ruotandolo in senso antiorario.

Montaggio del portaciale

- Se si usano cialde, fare riferimento al capitolo "Preparazione del caffè con cialde".
- Se si usa caffè macinato, fare riferimento al capitolo "Preparazione del caffè con caffè macinato".

Montaggio del montalatte (fig. K)

- Far scorrere il tubo flessibile (21) sull'adattatore (22).
- Inserire l'adattatore del tubo (22) nell'adattatore del dispensatore di latte schiumato (23).
- Montare l'adattatore del dispensatore di latte schiumato (23) sulla valvola del vapore (24).
- Montare il dispensatore di latte schiumato (8) sul relativo adattatore (23).

Risoluzione dei problemi

Per risolvere personalmente eventuali problemi, fare riferimento alla tabella riportata sotto.

Se non è possibile risolvere il problema personalmente, contattare il nostro centro di assistenza.

- La spia luminosa rossa lampeggia, ma il serbatoio dell'acqua è pieno.
 - Svuotare il serbatoio dell'acqua.
 - Agitare il serbatoio dell'acqua vuoto per verificare che il galleggiante si muova liberamente.
 - Pulire o decalcificare il serbatoio dell'acqua.
- Impossibile avviare la fase di risciacquo.
 - Verificare che l'acqua contenuta nel serbatoio dell'acqua sia fredda.
 - Impostare il selettore del dispensatore in posizione 'C'.
- Durante la fase di risciacquo non fuoriesce acqua dall'apertura del dispensatore.
 - Porre il selettore del dispensatore in posizione 'D'.
- Il selettore del dispensatore si blocca prima di raggiungere la posizione 'D'.
 - Verificare che le cialde siano state inserite correttamente nel portaciale.
- Dal portaciale fuoriesce dell'acqua.
 - Verificare che le cialde siano state inserite correttamente nel portaciale.
- Dal fondo dell'apparecchio fuoriesce dell'acqua.
 - Svuotare il vassoio raccogliocce.
 - Riempire il serbatoio dell'acqua solo fino al contrassegno indicatore di massimo livello.
 - Rimuovere il serbatoio dell'acqua dall'apparecchio solo per brevi periodi, per riempirlo o per la pulizia.
- Il caffè è troppo leggero.
 - Scegliere un tipo di caffè più forte.
 - Impostare una quantità inferiore di caffè utilizzando il relativo selettore.
 - Verificare che le cialde siano state inserite correttamente nel portaciale.
- Il caffè è troppo forte.
 - Scegliere un tipo di caffè più leggero.
 - Impostare una quantità superiore di caffè utilizzando il relativo selettore.
- Lo strato di crema si sta riducendo.
 - Pulire e decalcificare regolarmente il filtro del dispensatore di caffè.
 - Se i due filtri all'interno del filtro del dispensatore di caffè sono compressi l'uno sull'altro, sostituire il filtro del dispensatore di caffè.



- Non fuoriesce caffè, sebbene la pompa sia in funzione.
 - Portare il selettore del dispensatore nella posizione più a sinistra possibile.
 - Verificare che l'apertura centrale del portacaffè non sia ostruita da calcare o residui di caffè.
- Impossibile espellere acqua calda.
 - Impostare il selettore del dispensatore in posizione 'B'.
- L'acqua nel serbatoio dell'acqua si riscalda.
 - Impostare il selettore del dispensatore in posizione 'B' o 'D'.
 - Verificare che l'apertura centrale del portacaffè non sia ostruita da calcare o residui di caffè.
- L'apparecchio si spegne dopo il riscaldamento.
 - Se, durante la fase di riscaldamento, non viene raggiunta la temperatura di preparazione del caffè, l'apparecchio si spegnerà dopo circa 2 minuti.
 - Non utilizzare l'apparecchio ad un'altitudine superiore ai 1.500 m sopra il livello del mare.
- Il selettore del dispensatore non può essere impostato in posizione 'A'. Non fuoriesce caffè mentre la pompa è in funzione.
 - Rimuovere la spina di alimentazione dalla presa elettrica a parete e non utilizzare l'apparecchio per alcune ore per ridurre la pressione.
 - Se tale procedura non funziona, rimuovere tutte le parti asportabili, porre l'apparecchio su un lato e aprire l'apertura centrale del portacaffè dal basso utilizzando un ago. Fare attenzione: durante la procedura potrebbero prodursi spruzzi di caffè.
- La quantità di caffè si è ridotta.
 - Portare il selettore del dispensatore nella posizione più a sinistra possibile.
 - Verificare che l'apertura centrale del portacaffè non sia ostruita da calcare o residui di caffè.
- Il latte schiumato non fuoriesce.
 - Pulire il montalatte.
 - Pulire la valvola del vapore.
- Il latte schiumato produce eccessivi schizzi.
 - Verificare che il montalatte sia stato assemblato e montato correttamente.
- Il latte schiumato fuoriesce in modo continuo.
 - Se si utilizza un bricco del latte nel quale il latte raggiunge un livello superiore all'adattatore del dispensatore di latte schiumato, dopo la schiumatura il bricco verrà aspirato fino in fondo: Verificare che l'altezza del bricco del latte non superi i 14 cm.

Istruzioni per la sicurezza

Sicurezza generale

- Leggere attentamente il manuale prima dell'uso. Conservare il manuale per future consultazioni.
- Utilizzare l'apparecchio e gli accessori esclusivamente per gli scopi previsti. Non utilizzare l'apparecchio e gli accessori per scopi diversi da quelli descritti nel manuale.
- Non usare l'apparecchio se presenta parti o accessori danneggiati o difettosi. Se una parte o un accessorio sono danneggiati o difettosi, devono essere sostituiti dal fabbricante o da un centro di assistenza autorizzato.
- Controllare sempre che i bambini non giochino con l'apparecchio.
- L'uso dell'apparecchio da parte di bambini o persone con ridotte capacità fisiche, sensoriali, mentali o motorie oppure senza la necessaria pratica ed esperienza può causare rischi. Le persone responsabili per la loro sicurezza devono offrire istruzioni precise oppure supervisionare l'uso dell'apparecchio.
- Non usare l'apparecchio in prossimità di vasche da bagno, docce, bacinelle o altri recipienti contenenti acqua.
- Non immergere l'apparecchio in acqua o in altri liquidi. Se l'apparecchio viene immerso in acqua o in altri liquidi, non rimuovere l'apparecchio con le mani. Rimuovere immediatamente la spina di alimentazione dalla presa a parete. Se l'apparecchio viene immerso in acqua o altri liquidi, non riutilizzare l'apparecchio.

Sicurezza elettrica

- Prima dell'uso, verificare sempre che la tensione di rete corrisponda alla tensione riportata sulla targhetta nominale dell'apparecchio.
 - L'apparecchio non è previsto per essere azionato mediante timer esterno o telecomando.
 - Collegare l'apparecchio a una presa a parete dotata di messa a terra. Se necessario, utilizzare un cavo di prolunga dotato di conduttore di messa a terra di diametro adeguato (almeno 3 x 1 mm²).
 - Verificare che l'acqua non penetri negli spinotti del cavo di alimentazione e del cavo di prolunga.
 - Srotolare sempre completamente il cavo di alimentazione e il cavo di prolunga.
 - Verificare che il cavo di alimentazione non rimanga impigliato nel bordo di sporgenze o ripiani e non possa costituire fonte di rischio di incidenti o cadute.
 - Tenere il cavo di alimentazione lontano da fonti di calore, olio e spigoli taglienti.
 - Non usare l'apparecchio se il cavo di alimentazione o la spina sono danneggiati o difettosi. Se il cavo di alimentazione o la spina sono danneggiati o difettosi, devono essere sostituiti dal fabbricante o da un centro di assistenza autorizzato.
 - Per scollegare la spina di alimentazione elettrica, non tirare mai il cavo di alimentazione.
 - Se l'apparecchio non viene utilizzato, prima di eseguire operazioni di montaggio o smontaggio e prima di effettuare interventi di pulizia e manutenzione, scollegare sempre la spina dalla rete di alimentazione elettrica.
- Collocare l'apparecchio su una superficie resistente al calore e agli schizzi.
 - Non collocare l'apparecchio su un piano di cottura.
 - Non collocare l'apparecchio su superfici calde o vicino a fiamme libere.
 - Verificare che l'apparecchio non entri in contatto con materiale infiammabile.
 - Tenere l'apparecchio a distanza da fonti di calore.
 - Porre attenzione con acqua calda e vapore per evitare ustioni.
 - Riporre l'apparecchio in un luogo asciutto quando non viene utilizzato. Assicurarsi che i bambini non abbiano accesso agli apparecchi riposti.

Clausola di esclusione della responsabilità

Soggetto a modifica; le specifiche possono subire variazioni senza preavviso.

Istruzioni di sicurezza per macchine da caffè

- Non usare l'apparecchio in ambienti esterni.
- Non utilizzate l'apparecchio in ambienti umidi.
- Se l'apparecchio è riempito con acqua utilizzatelo in ambienti non particolarmente freddi.
- Collocare l'apparecchio su una superficie uniforme e stabile.



service.petra-electric.eu