

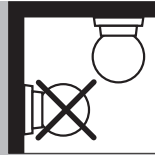


# PHILIPS

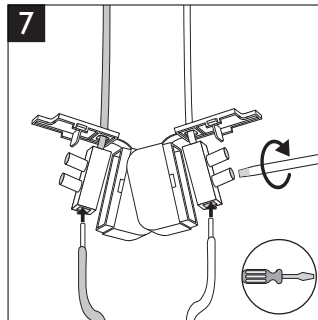
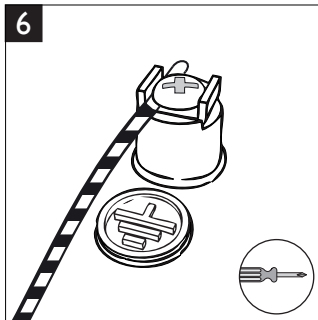
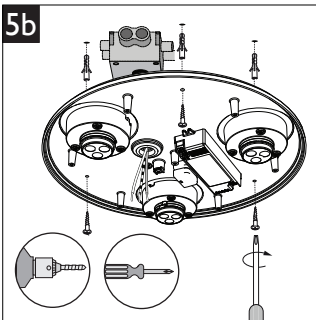
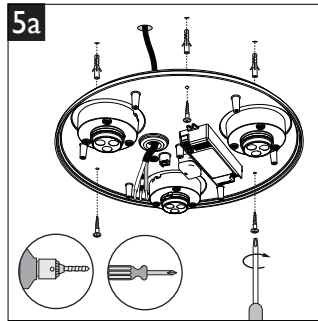
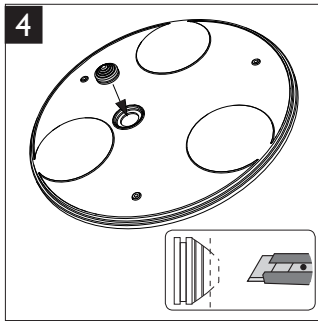
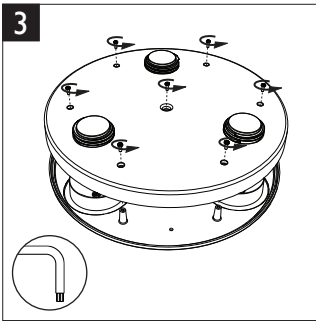
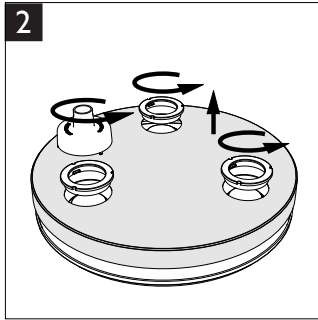
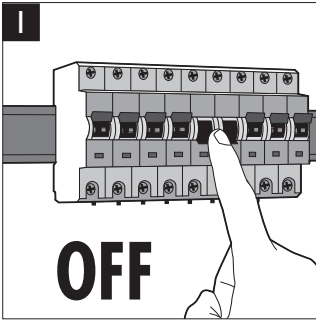
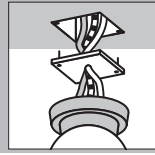
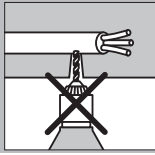
4404.018.20801  
Last update: 10/10/11



IPX4



8mm

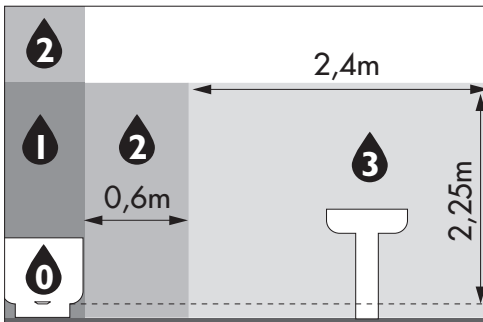
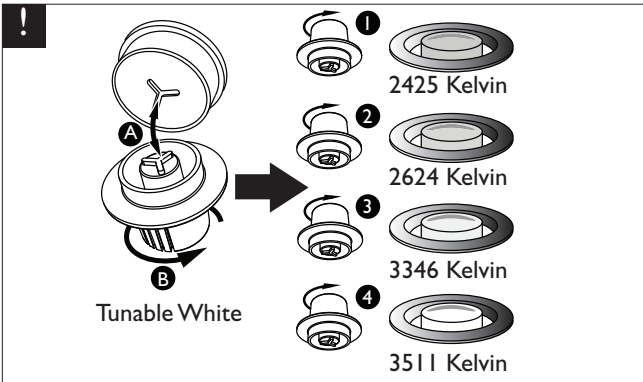
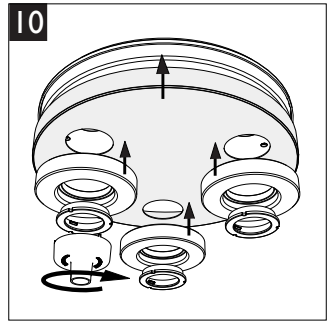
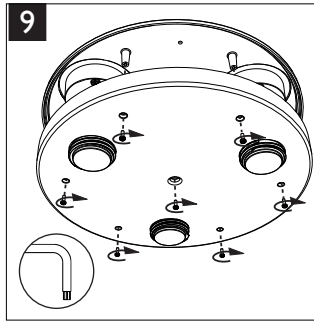
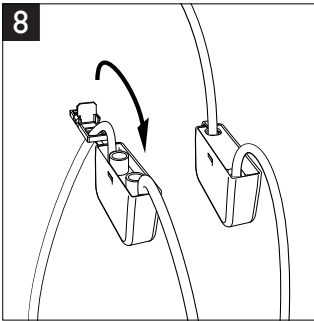


© Copyright





# PHILIPS



PHILIPS CONSUMER LUMINAIRES SHENZHEN COMPANY LTD  
 飞利浦家居灯饰(深圳)有限公司  
 6 F, Auxiliary Building of Shekou Technology Building,  
 Nanhai Rd, Shekou, Nanshan District, Shenzhen City  
 Guangdong Province, 518067 PRC (China)  
 深圳市南山区南海大道蛇口科技大厦辅楼六层(邮编:518067)

