



28-Port Web Smart Gigabit Switch, 4 x Gigabit SFP/RJ45 Combo

The GES-2451 Switch is a gigabit web smart switch, which can be configured by web interface. It provides a simple, economic, high performance gigabit network solution. All RJ45 ports support Auto MDI/MDIX, port speed limit, IGMP Snooping, storm control, Port based VLAN/MAC address binding, configuration file upload and download etc. Providing huge flexibility based on workgroup performance improvement, easy installation, superior performance, highly cost effective.

Key Features

- 10/100/1000Mbps wire speed transmission and reception
- IEEE 802.1d/w Spanning Tree Protocol (STP) and port mirroring
- IEEE 802.1p QoS with 4 priority queues
- Supports port-based VLAN, IEEE 802.1Q VLAN Tagging
- IP Multicast Filtering through IGMP Snooping V1 / V2 / V3
- 10K jumbo frames to increase data transfer rates
- Supports 8K MAC address auto-learning and auto-aging
- Dynamic ARP Inspection (DAI) protects switches against ARP spoofing

Specifications

System Specifications

Standards & Protocols:

- ?IEEE 802.1p Quality of Service (QoS)
- ?IEEE 802.3x Ethernet frame start and stop requests and timers used for flow control on full-duplex links
- ?IEEE 802.3u CSMA/CD access method and physical layer specifications for 100 BASE-TX Fast Ethernet
- ?IEEE 802.3z CSMA/CD access method and physical layer specifications for 1000 BASE Gigabit Ethernet
- ?IEEE 802.1q Virtual LAN
- ?IEEE 802.1d Spanning Tree Protocol
- ?IEEE 802.3ad Link Aggregation Control Protocol (LACP)"

Memory:

128MB

**Buffer Memory:**

4.1Mbit

Port:

24 x 10/100/1000 Base-T & 4 x 1G combo

Button/Knob:

reset

Indicator:

LED indicators : Port, System,link

Transmission Method:

Store- froward

Power Input:

AC Input : 100 to 240 V, 50-60 Hz, 2 A

Power Output:

12V/2A

Power Consumption:

12W

Backplane (Gbps):

52Gbps

MAC Address Table:

8k

Data Rate:

38.7M

Features

General:

Spanning Tree :

?802.1D STP

?802.1s MSTP

?802.1w RSTP

VLAN:

?802.1Q VLAN

?Port Based

?Management VLAN

?Voice VLAN

Link Aggregation

? IEEE 802.3ad LACP

Quality of Service(QoS):

?Rate Limiting

?Priority Queeues Scheduling

IGMP Snooping

Port Mirroring (One to One, Many to One)

Security:

?Port security

?Access Control List

?DHCP snooping

?Dynamic ARP Inspection

?DoS Protection

?CPU Guard (CPU Protection)

?Port Mirroring (One to One, Many to One)

?Storm Control

(Broadcast/Multicast/Unknown_Unicast)

?ACL

?MAC Filte

?Port max count per port

?SSHv1.5/v2.0

?SSL

Management:

?CLI/WEB Based
?Telnet/SNMP v1/v2/v3
?RMON I (1,2,3, 9 group)
?Software Download
?Event/Error Log/Syslog
?Cable Diag Nostic.
?Configuration Upload/Download
?Even/Error/System log
?Firmware Download/Upgrade
?Daul Configuration
?Daul Image"

Ease of Use:

yes

Performance**Packet Forwarding Rate:**

1488000

Jumbo Frame (K):

10k

Environment**Acoustic Noise:**

Fanless

Heat Dissipation:

Natural heat dissipation

Operating Temperature (°C):

0-40°C

Operating Humidity (Non-condensing):

10%~90%

Physical Specifications**Dimensions (W x D x H mm):**

440x208x44mm

Weight (g):

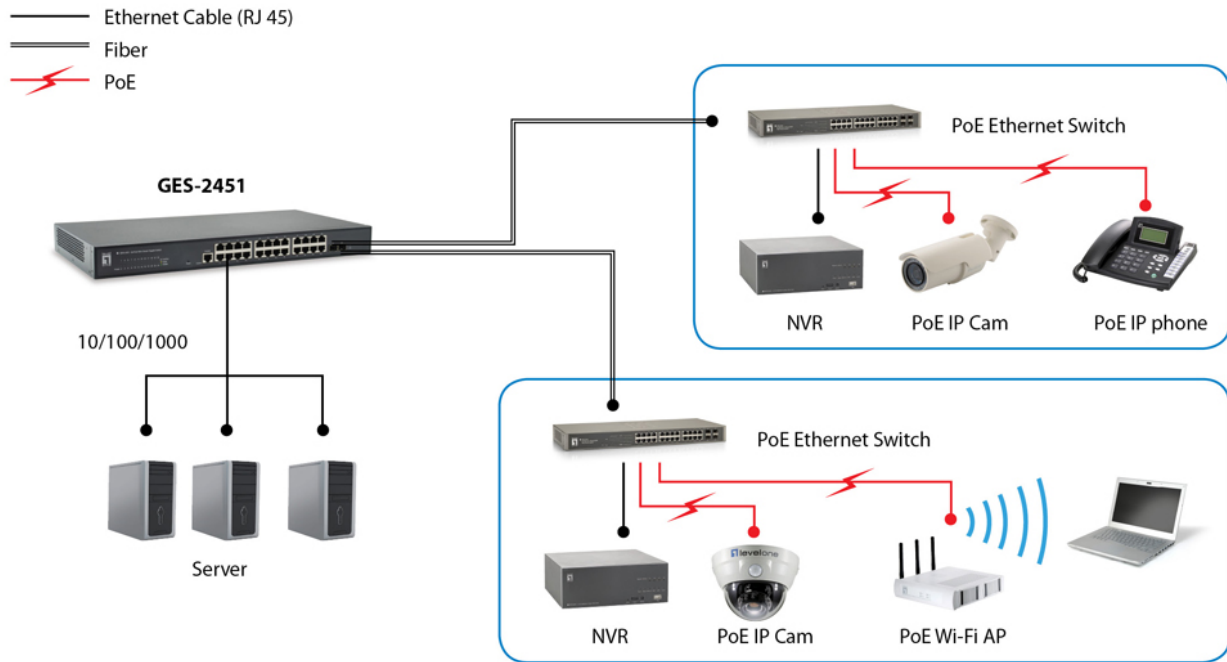
2kg

Reliability**MTBF:**

230000



Diagram



Order Information

GES-2451

Package Contents

GES-2451
Power Cord
Resource CD (User Manual, QIG)
Quick Installation Guide
Rubber Feet
19" Rack Mount Kit

No liability or responsibility for any errors or omissions in the content.
Specifications are subject to change without notice.
All mentioned brand names are registered trademarks and property of their owners.
Copyright © Digital Data Communications GmbH, Germany. All Rights Reserved.