

HDMI HDBaseT Extender (4K@100m) (HDBaseT Class A) VE812

The VE812 HDMI HDBaseT Extender enables an HDMI display to be located up to 100 meters away from the source device. It can be conveniently extended using only one Cat 5e cable, which is cost-effective.

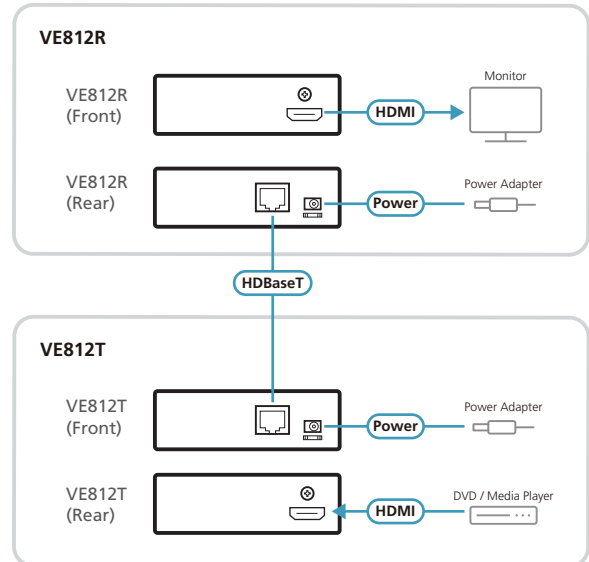
The VE812 supports HDMI (3D, Deep Color), Ultra HD (4k x 2k), and is HDCP compatible. Furthermore, the remote EDID pass-through ensures optimum video quality for any HDMI display.

The VE812 is perfect for the meeting room, home theater or any installation that needs long distance transmission and superior video quality.



Features

- Extends the distance between HDMI source and HDMI display
- Implements HDBaseT extension technology using only one Cat 5e cable to connect the transmitter and receiver
- HDMI (3D, Deep Color, 4k x 2k); HDCP Compatible
- Anti-jamming – resists signal interference during high-quality video transmission using HDBaseT technology
- Long distance transmission - up to 100 m
- Supports resolutions of up to Ultra HD 4k x 2k and 1080p Full HD
- Supports up to 340 MHz bandwidth for high performance video
- Signaling rates up to 3.4 Gbit/s
- Supports Dolby True HD and DTS HD Master Audio
- Built-in 8 KV / 15 KV ESD protection (Contact voltage 8 KV; Air voltage 15 KV)



Specifications

	VE812T	VE812R
Video Input		
Interface	1 x HDMI Type-A Female (Black)	N/A
Impedance	100 Ω	N/A
Max. Distance	3 m	N/A
Video Output		
Interface	N/A	1 x HDMI Type-A Female (Black)
Impedance	N/A	100 Ω
Max. Distance	N/A	3 m
Video		
Max. Data Rate	10.2 Gbps (3.4 Gbps Per Lane)	
Max. Pixel Clock	Up to 340 MHz	
Compliance	HDMI (3D, Deep Color, 4K) HDCP 2.2 Compatible Consumer Electronics Control (CEC)	
Max. Resolutions / Distance	Up to 4K @ 70 m (Cat 5e / 6) / 100 m (Cat 6a); 1080p @ 100 m *4K supported: 4096 x 2160 / 3840 x 2160 @ 60 Hz (4:2:0); 4096 x 2160 / 3840 x 2160 @ 30 Hz (4:4:4)	
Audio		
Input	1 x HDMI Type-A Female (Black)	N/A
Output	N/A	1 x HDMI Type-A Female (Black)
Power		
Connectors	1 x DC Jack (Black)	
Consumption	DC 5.3 V : 2.22 W	DC 5.3 V : 5.06 W
Environmental		
Operating Temperature	0 - 50 °C	
Storage Temperature	-20 - 60 °C	
Humidity	0 - 80% RH, Non-Condensing	
Physical Properties		
Housing	Metal	
Weight	0.40 kg	0.41 kg
Dimensions (L x W x H)	14.17 x 10.30 x 3.00 cm	

ATEN International Co., Ltd.

3F., No.125, Sec. 2, Datung Rd., Sijhih District., New Taipei City 221, Taiwan
Phone: 886-2-8692-6789 Fax: 886-2-8692-6767
www.aten.com E-mail: marketing@aten.com

Product information is subject to change without prior notice.

Released: 06/2022 V5.0

© Copyright 2022 ATEN® International Co. Ltd.
ATEN and the ATEN logo are registered trademarks of ATEN International Co., Ltd.
All rights reserved. All other trademarks are the property of their respective owners.
The terms HDMI, HDMI High-Definition Multimedia Interface, and the HDMI Logo are trademarks or registered trademarks of HDMI Licensing Administrator, Inc.

