



# BT8540

SYSTEM X™

## LOW LEVEL FLAT SCREEN FLOOR TROLLEY INSTALLATION GUIDE & PARTS LIST

This Pack Contains 1 Trolley

PLEASE KEEP THIS FOR FUTURE REFERENCE



### FEATURES

- Designed for use with touch screens up to 65" (165cm)
- Maximum load: 70kg
- Suitable for screens with fixings up to 672 x 400mm including VESA® fixings up to: 600mm x 400mm
- Tilt: Can be set at 0°, 22.5°, 45°, 67.5° or 90°
- Dimensions: **W.**1126mm x **H.**839mm x **D.**769mm
- 0.5m Ø60mm poles supplied with cable management holes
- Non-marking 4" locking/braked castors included
- Also supplied with optional screw-in levelling feet
- All mounting hardware and fixings included



### CONTENTS

Installation Safety Notes.....	2
Parts List.....	4
Installation Instructions.....	6
Product Dimensions.....	10
B-Tech Contact Details.....	12

### INSTALLATION TOOLS REQUIRED

Crosshead  
screwdriver



# INSTALLATION SAFETY INSTRUCTIONS



**CAUTION:** This trolley is intended for use only with the maximum weights indicated. Use with flat screens heavier than the maximum indicated may result in instability causing possible injury.

Do not attempt to install this product until all instructions and warnings have been read and properly understood. Please keep these instructions for future reference. Please check carefully to make sure there are no missing or defective parts - defective parts must never be used. B-Tech International Design & Manufacturing Ltd, its distributors and dealers are not liable or responsible for damage or injury caused by improper installation, improper use or failure to observe these safety instructions. In such cases, all guarantees will expire.

## **General**

Great care must always be taken during installation as most AV equipment is of a fragile nature, possibly heavy and easily damaged if dropped. If you do not fully understand the instructions or are not sure how to install this product safely, then please consult a professional for advice and/or to install this product for you. Failure to mount this product correctly may cause serious injury or death both during installation and at any time thereafter. Do not mount any AV equipment that exceeds the specific weight limit of the product you are installing. This weight limit will be clearly stated on each product and its packaging and will vary from product to product.

## **Product location**

Please pay careful attention to where this product is located, some locations are not suitable for installation. For indoor use only. Install stand on level ground. When verifying the stability of the structure, consider the following external factors: The strength of the floor, exposure to sudden and severe wind and danger arising from contact with people and / or objects (eg installations in passageways, emergency exits), if located in a public or frequently populated area ensure that the product is out of the immediate reach of people.

## **Fixing hardware**

It is highly recommended that all fixing screws be used where supplied and that the purpose of all other fixing hardware is fully understood. In some cases more AV equipment fixing hardware will be supplied to accommodate different models of equipment and set up configurations. The installer must be satisfied that any supplied fixing hardware is suitable for each specific installation. If any fixing screws or included hardware are deemed not sufficient for a safe installation then please consult a professional or your local hardware store.

## **Hazard limitation**

When routing cables take advantage of any built in cable management features that the product might provide and ensure that all cables are tidy and secure. Check to see that any moving aspect of the product can do so unhindered by any cabling. Some products have moving parts and the potential to cause injury through the crushing or trapping of fingers or other body parts. Particular attention to the nature of moving parts is required especially when assembling installing and adjusting during set up. Immediately after installations double-check that the work done is safe and secure. Double-check all necessary fixings are present and are of ample tightness. It is recommended that periodic inspections of the product and its fixing points are made as frequently as possible to ensure that safety is maintained. If in doubt consult a professional AV installer or other suitably qualified person.

CS

Společnost B-Tech International Design And Manufacturing Ltd. doporučuje provést instalaci tohoto produktu instalátora AV či jinak způsobilé osoby. Společnost B-Tech International Design And Manufacturing Ltd, její distributoři a prodejci nenesou prostřednictvím odborného odpov. édnost za škody nebo zranění způsobená nevhodnou instalací. Tento výrobek je nutno umístit do vhodné konstrukce a používat jen po uvedené maximální výšce.

DE

B-Tech International Design And Manufacturing Ltd. empfiehlt, dass dieses Produkt durch einen qualifizierten AV-Techniker oder eine andere Person mit geeigneter Qualifikation installiert wird. B-Tech International Design And Manufacturing Ltd, ihre Distributoren und Händler können nicht für durch fehlerhafte Montage verursachte Beschädigung oder Verletzung haftbar bzw. verantwortlich gemacht werden. Dieses Produkt muss auf eine geeignetem Untergrund montiert werden und darf nur bis zum angegebenen Höchstgewicht verwendet werden.

ES

B-Tech International Design And Manufacturing Ltd. recomienda que un instalador de audio y video profesional u otra persona debidamente cualificada instalen este producto. B-Tech International Design And Manufacturing Ltd, sus distribuidores y concesionarios no se hacen cargo ni se responsabilizan de ningún daño o lesión provocados por una instalación inapropiada. Este producto se debe montar en una estructura adecuada y se debe utilizar soportando solamente hasta el peso máximo indicado.

FR

B-Tech International Design And Manufacturing Ltd. recommande de confier l'installation de ce produit à un installateur AV professionnel ou à une autre personne dûment qualifiée. B-Tech International Design And Manufacturing Ltd, ses distributeurs et ses revendeurs ne sauraient être tenus responsables de tout dégât ou de toute blessure résultant d'une installation incorrecte. Ce produit doit être monté sur un support approprié et utilisé dans la limite du poids maximum indiqué.

IT

B-Tech International Design And Manufacturing Ltd. consiglia di affidare l'installazione di questo prodotto a un installatore specializzato o ad altra persona adeguatamente qualificata. B-Tech International Design And Manufacturing Ltd, i suoi distributori e rivenditori non accettano alcuna responsabilità nei riguardi di eventuali danni o infortuni causati da un'errata installazione. Questo prodotto deve essere fissato a una struttura idonea e utilizzato unicamente sino al peso massimo indicato.

NL

B-Tech International Design And Manufacturing Ltd. adviseert om dit product te laten installeren door een professionele AV-instalateur of andere hiervoor gekwalificeerde persoon. B-Tech International Design And Manufacturing Ltd, haar distributeurs en dealers zijn niet aansprakelijk of verantwoordelijk voor schade of letsel die is veroorzaakt door onoordeelkundige installatie. Dit product moet worden gemonteerd aan een geschikte constructie, waarbij het aangegeven maximum gewicht niet mag worden overschreden.

PL

Firma B-Tech International Design And Manufacturing Ltd. zaleca, aby ten produkt był instalowany przez profesjonalnych instalatorów AV lub inny odpowiednio przeszkolony personel. Firma B-Tech International Design And Manufacturing Ltd, jej dystrybutorzy i dealerzy nie ponoszą odpowiedzialności za uszkodzenia lub obrażenia ciała powstałe w wyniku nieprawidłowej instalacji. Niniejszy produkt musi być zamontowany na odpowiedniej powierzchni, a podczas u żytkowania nie wolno przekraczać podanego maksymalnego obciążenia.

PT

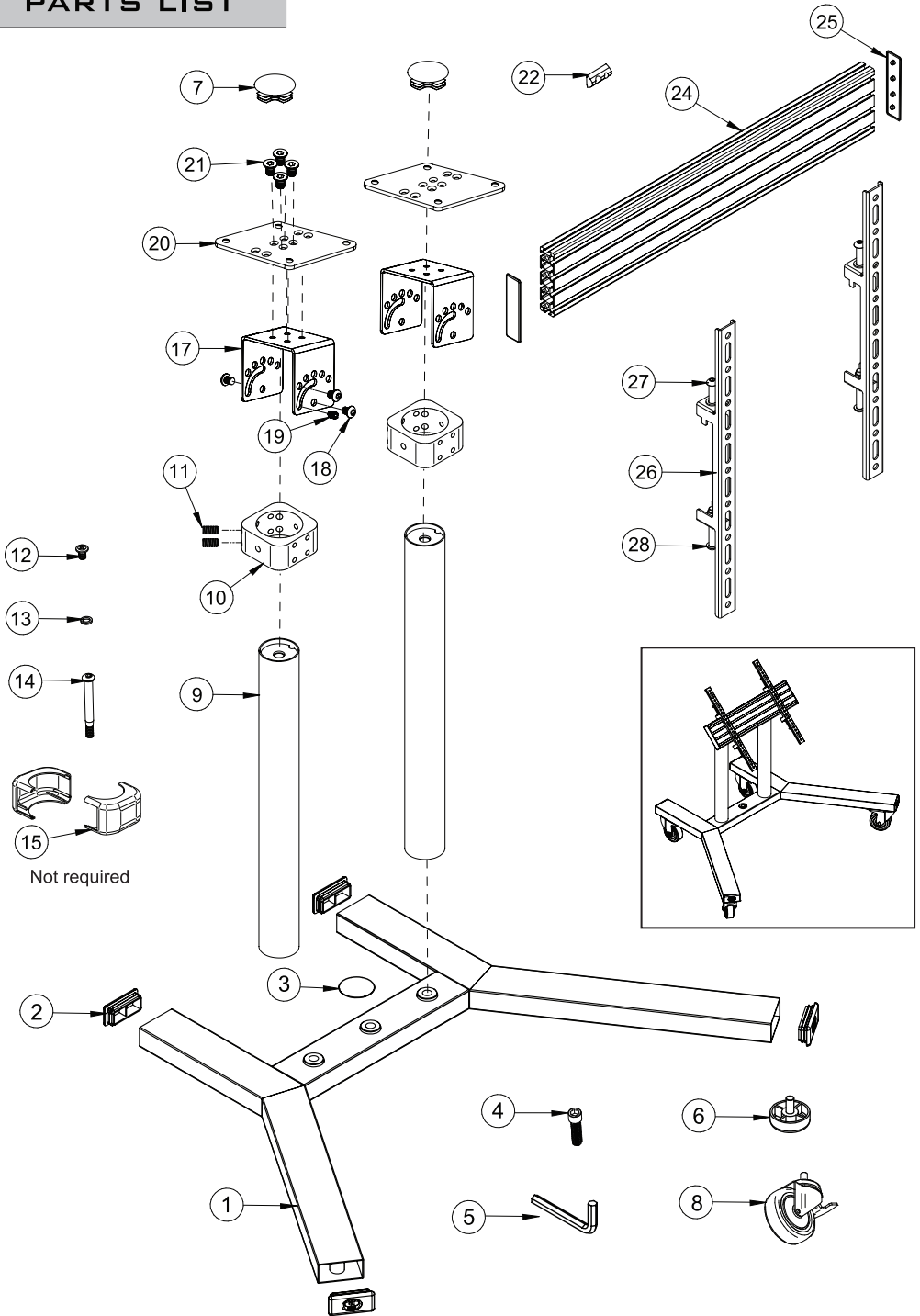
A B-Tech International Design And Manufacturing Ltd. recomenda que a instalação deste produto seja efectuada por um instalador de AV instalador de AV profissional ou outra pessoa devidamente habilitada. A B-Tech International Design And Manufacturing Ltd. e os seus distribuidores e concessionários não são responsáveis por danos ou lesões causados por uma instalação incorrecta. Este produto tem de ser montado numa estrutura adequada e utilizado somente até ao peso máximo indicado.

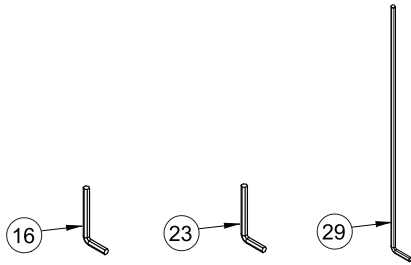
RU

Компания B-Tech International Design And Manufacturing Ltd. рекомендует, чтобы установка данного изделия производилась инженером по установке аудио-видеотехники или другим специалистом с соответствующей квалификацией. Компания B-Tech International Design And Manufacturing Ltd. ее дистрибьюторы и дилеры не несут ответственности за повреждения или травмы, полученные в результате неправильной установки. Данное изделие должно

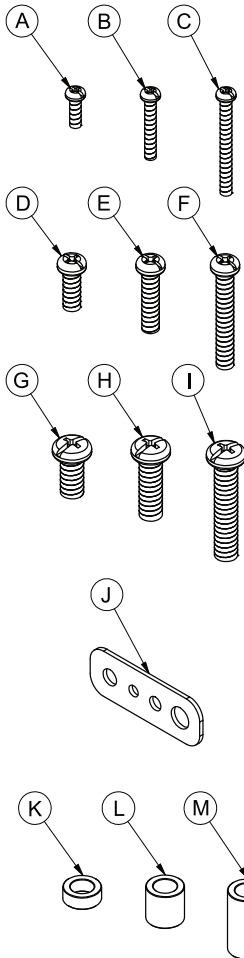
توصي بي- تك للتجارة الدولية المحدودة بأن شخص محترف في تركيب ال AV او شخص مؤهل تأهيلا مناسباً لتركيب هذا المنتج. بي- تك للتجارة الدولية، موز عليها والتجار ليست عرضة أو مسؤولة عن الأضرار أو الإصابات الناجمة عن تركيب غير سليم، والاستخدام غير السليم أو عدم مراعاة هذه التعليمات للسلامة. يجب أن يتم تركيب هذا المنتج في بنية مناسبة ويجب استخدام فقط لدعم الحد الأقصى للوزن المشار إليه.

# BT8540 PARTS LIST





**FLAT SCREEN INTERFACE KIT**  
(for attaching mount to back of flat screen)



REF	PART NAME	QTY
<b>BT4003</b>		
1	BASE	1
2	BASE END CAP	4
3	HOLE CAP	2
4	M16 x 60mm SCREW	2
5	14AF HEX KEY	1
6	ADJUSTABLE FOOT	4
7	POLE END CAP	2
<b>BTW100-4</b>		
8	BRAKED CASTOR	4
<b>BT4005</b>		
9	Ø60mm POLE L:0.5m	2
<b>BT7060</b>		
10	Ø60mm COLLAR	2
11	M8 x 20mm GRUB SCREW	8
12	M8 x 12mm SCREW	16
13	M8 SPRING WASHER	18
14	M8 x 80mm HEX SCREW	2
15	COLLAR COVER PLATE	4
16	5AF HEX KEY	2
<b>BT6111</b>		
17	POLE TOP ADAPTOR WITH TILT	2
18	M8 x 10mm HEX SCREW	6
19	M8 x 10mm GRUB SCREW	2
<b>BT8390-CFK</b>		
20	COLLAR FIXING PLATE	2
21	M8 x 12mm CSK HEX SCREW	16
22	M8 SLINDING NUT	8
23	5AF HEX KEY	2
<b>BT8390-070</b>		
24	MOUNTING RAIL 0.7m	1
25	END CAP	2
<b>BT8390-VESA400F</b>		
26	INTERFACE ARM	2
27	LEVELLING SCREW	2
28	SAFETY SCREW	2
29	4AF LONG HEX KEY	1
<b>INTERFACE KIT</b>		
A	M4 x 12mm SCREW	4
B	M4 x 25mm SCREW	4
C	M4 x 40mm SCREW	4
D	M6 x 16mm SCREW	4
E	M6 x 25mm SCREW	4
F	M6 x 40mm SCREW	4
G	M8 x 16mm SCREW	4
H	M8 x 25mm SCREW	4
I	M8 x 40mm SCREW	4
J	MULTI WASHER	4
K	5mm SPACER	4
L	13mm SPACER	4
M	24mm SPACER	4

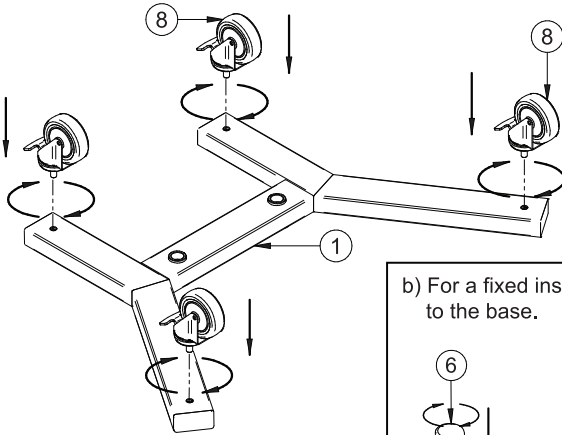
PLEASE KEEP THIS FOR FUTURE REFERENCE

# INSTALLATION INSTRUCTIONS

1

## Assemble Base

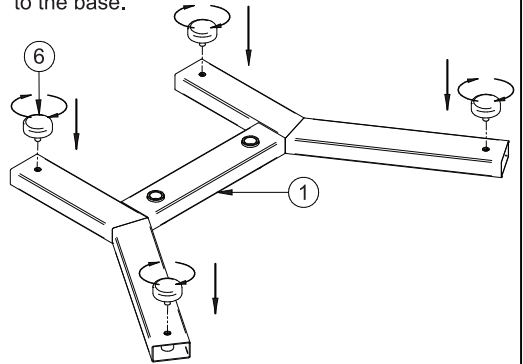
a) For mobile application attach braked castors (part 8) to the base (part 1).



LOCK WHEELS  
PRIOR TO  
INSTALLATION



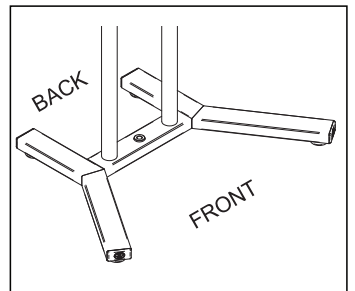
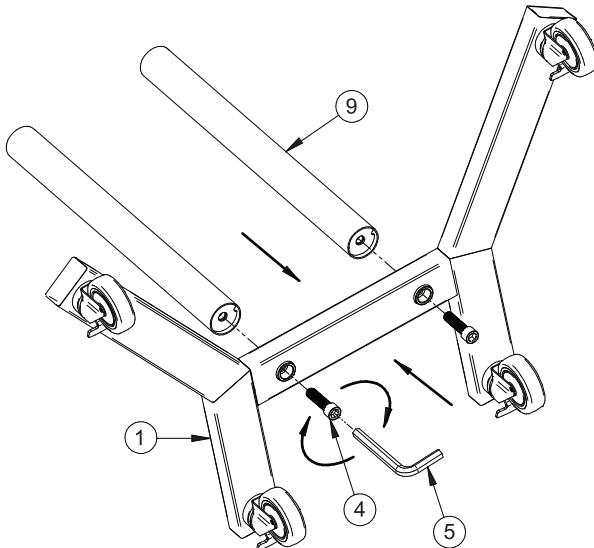
b) For a fixed installation attach levelling feet (part 6) to the base.



2

## Attach Poles to the Base

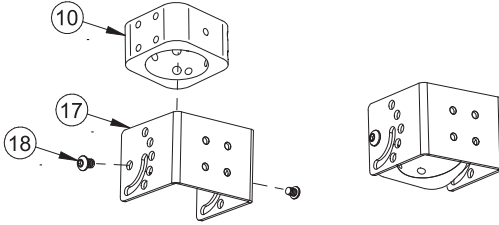
Connect 2 poles (part 9) to the base (part 1) using the M16 x 60mm screws (part 4).



### 3

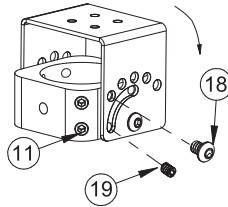
#### Assemble Collars

- i. Attach the collars (part 10) to the pole top adaptor plates (part 17).

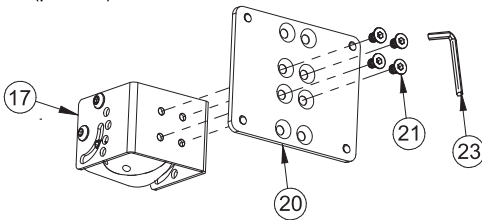


- ii. Set the tilt angle of the pole top adaptor (part 17) and fix in place using the grub screws (part 19) and M8 x 10mm screws on both sides of the collars.

**Note:** Ensure both collars are set the same way (*not mirrored*). The collar grub screws (part 11) should both be on the right hand side.

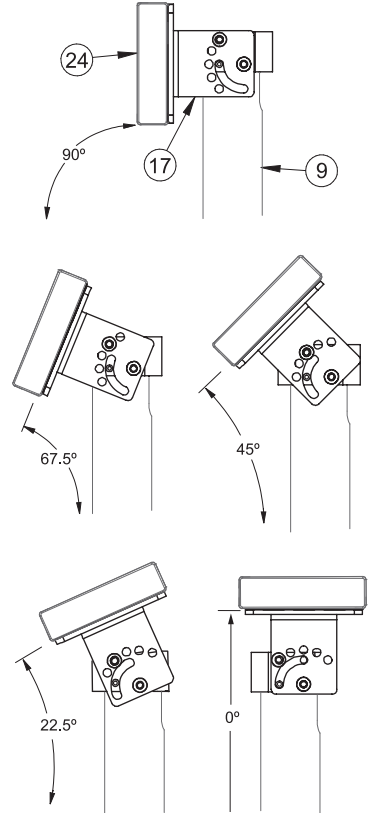


- iii. Attach the pole top adaptor (part 17) to the collar fixing plate (part 20).



#### Setting the angle for the mounting rail

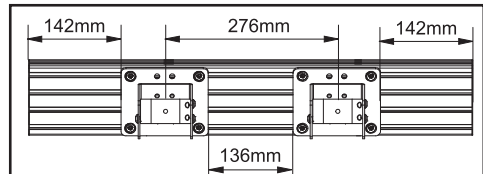
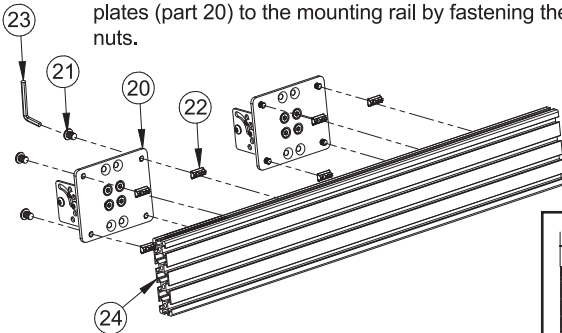
The tilt angle can be set at:  
0°, 22.5°, 45°, 67.5° or 90°



### 4

#### Attach Collars to the Mounting Rail

For each collar fixing plate (part 20) insert 4 x M8 sliding nuts (part 22) into the mounting rail (part 24). Two in the top slot, two in the bottom slot. Attach the collars (part 9) and collar fixing plates (part 20) to the mounting rail by fastening the M8 x 12mm screws (part 21) to the M8 sliding nuts.

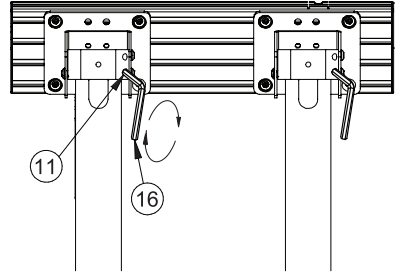
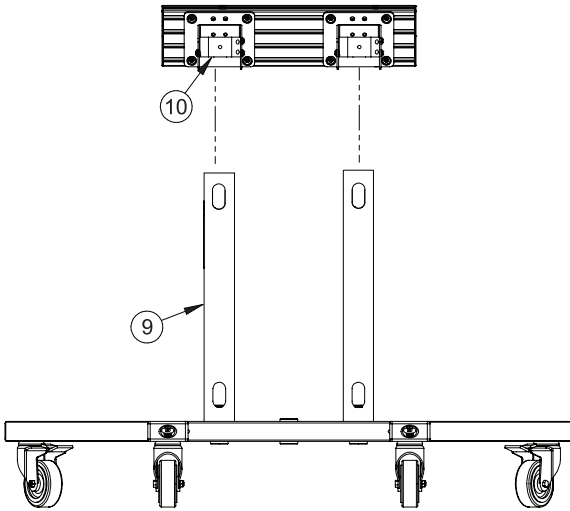


# 5

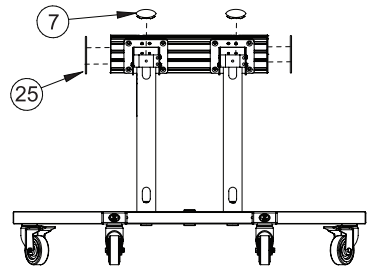
## Attach Mounting Rail to the Poles

i. Slide the mounting rail onto the poles.

ii. Tighten grub screws (part 11) on collars to fix mounting rail to poles (part 9).



iii. Add end caps to rail and poles

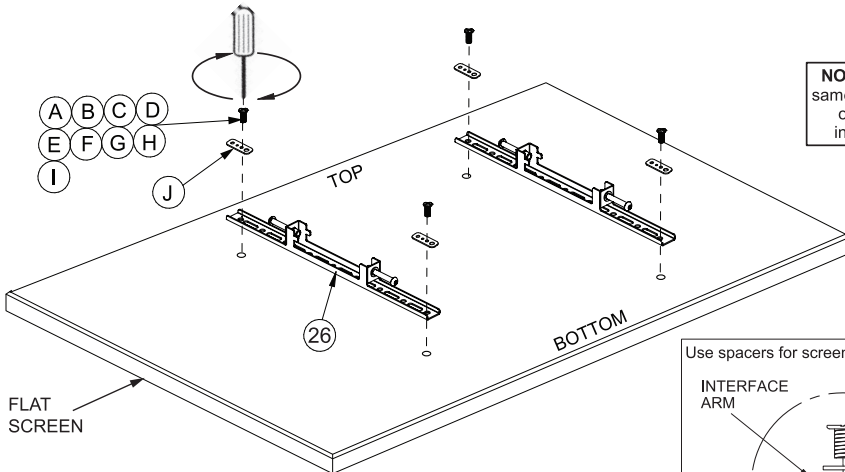


# 6

## Attach Interface Arms to Screen

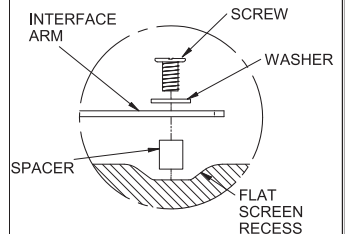
Attach the interface arms (part 26) to the rear of the flat screens using the supplied screen fixing kit (parts A - I).

The interface arms can mount screens with fixing patterns up to 600 x 400mm.



**NOTE:** Ensure the same holes are used on both of the interface arms.

Use spacers for screens with recessed fixings

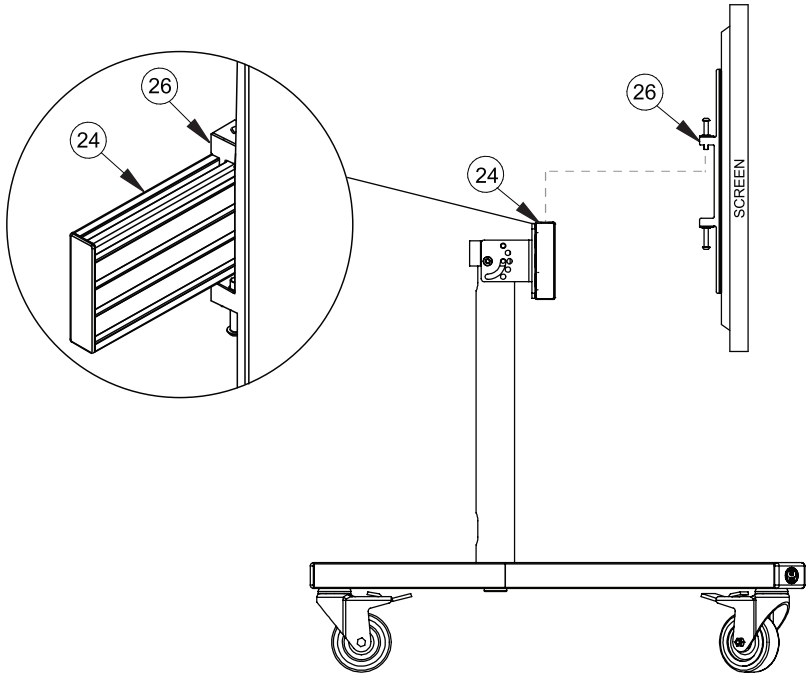




7

## Mount Screen to Rail

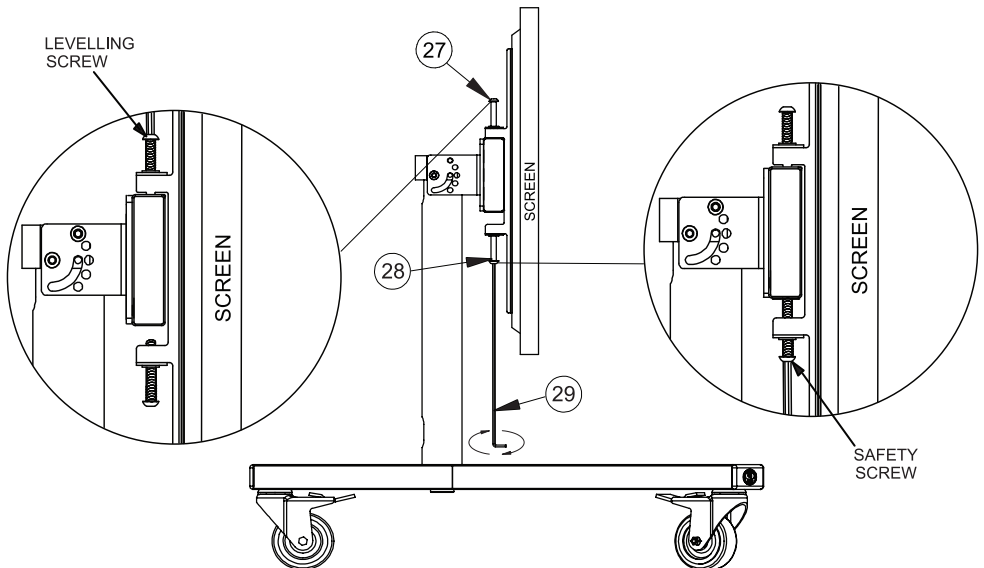
Hook the screen onto the mounting rail (part 24). *This may require two people.*



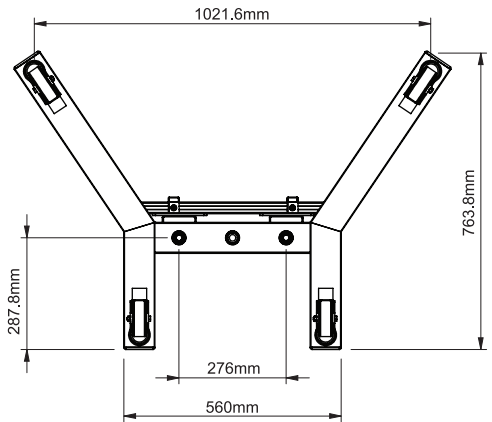
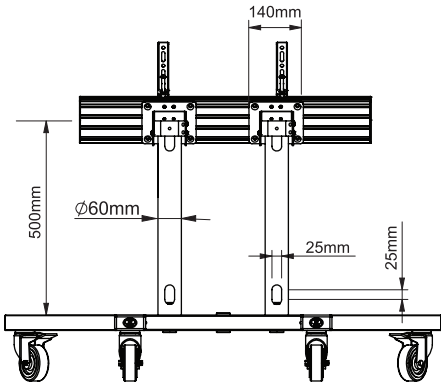
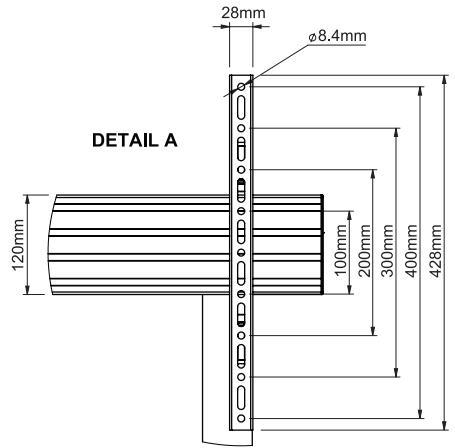
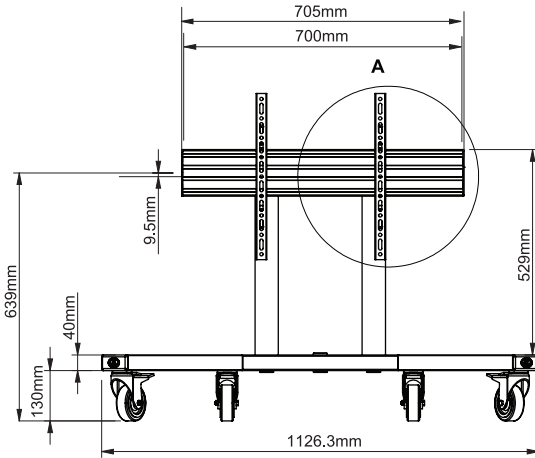
8

## Secure Screen to Trolley

- i. *Optional:* Use the top screws (part 27) on the interface arms to level the height of the screen.
- ii. Tighten the safety screws (part 28) on the bottom of the interface arms (part 26), securing the screen to the rail.

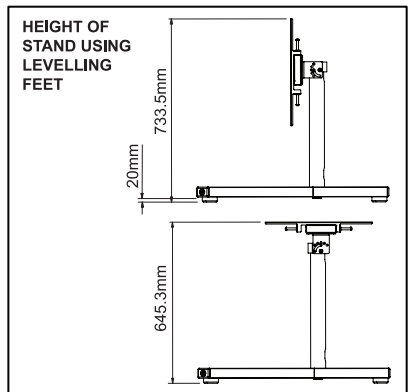
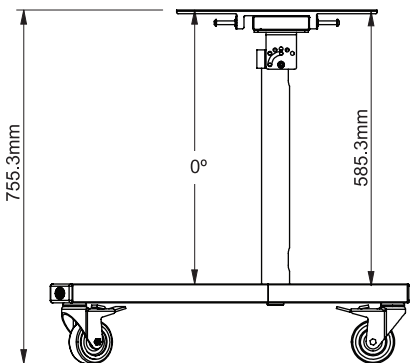
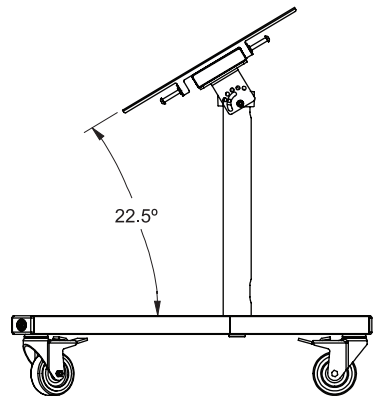
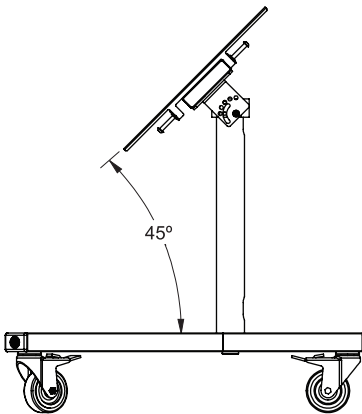
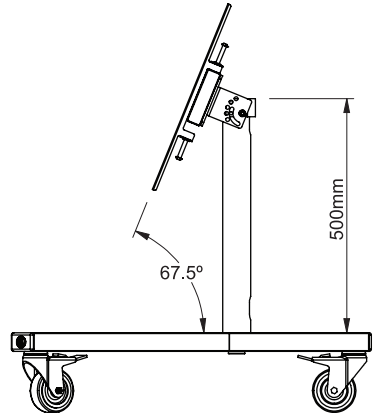
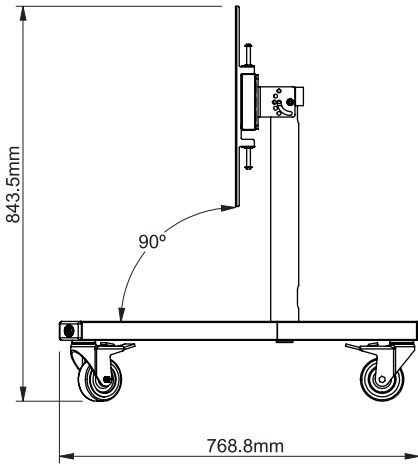


# BT8540 PRODUCT DIMENSIONS



THESE INSTRUCTIONS ARE INTENDED AS A GUIDE ONLY AND B-TECH ACCEPTS NO LIABILITY FOR THE ACCURACY OF THE INFORMATION CONTAINED IN THIS DOCUMENT.

# BT8540 PRODUCT DIMENSIONS



THESE INSTRUCTIONS ARE INTENDED AS A GUIDE ONLY AND B-TECH ACCEPTS NO LIABILITY FOR THE ACCURACY OF THE INFORMATION CONTAINED IN THIS DOCUMENT.



[www.btechavmounts.com](http://www.btechavmounts.com)

## **B-TECH AUDIO VIDEO MOUNTS**

### **HEAD OFFICE**

#### **B-Tech International Limited**

Bennett House, Long March, Daventry, Northants., NN11 4NR, UK

Email: [info@btechavmounts.com](mailto:info@btechavmounts.com)

©2017 B-Tech International Design and Manufacturing Limited. All rights reserved.

B-Tech Audio Video Mounts is a division of B-Tech International Design and Manufacturing Limited.

B-Tech, Better By Design & System X are registered trademarks of B-Tech International Design and Manufacturing Limited.

All other brands and product names are trademarks of their respective owners.

Photographs are for illustrative purposes only. E&OE.