



FEATURES UP TO 90° TILT ADJUSTMENT

BT8540

UNIVERSAL LOW LEVEL FLAT SCREEN TROLLEY



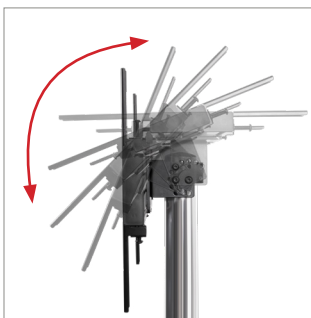
Designed to mount screens and interactive displays at a low level, the BT8540 features an incremented tilt adjustment up to 90° for the perfect viewing angle, making it ideal for information points in art exhibits and museums or for on stage autocue screens. Braked castors allow the install to be easily repositioned, and height adjustable levelling feet are also included to create a freestanding configuration if required.

SPECIFICATION

Recommended screen size	up to 65"
Max load	70kg
VESA® compatibility	600 x 400
Tilt adjustment	0°, 22.5°, 45°, 67.5° and 90°
Dimensions (with castors)	W: 1126mm H: 844mm D: 769mm
Colour (base)	Black
Colour (poles)	Chrome

FEATURES

- Universal design suitable to mount screens and interactive displays at a low level
- High-end aesthetic quality
- Features tilt adjustment in incremented positions for the perfect viewing angle
- Ideal for information points in art exhibits and museums or for on stage autocue screens
- Non-marking 4" locking/braked castors included for easy repositioning
- Also supplied with optional screw in levelling feet to create a freestanding configuration
- Compatible with shelves and other AV accessories (available separately) that can be pole mounted
- Cable management included for a neat and tidy installation
- Security screws help prevent unauthorised screen removal
- Other height options can be requested to accommodate the install
- Simple 'hook-on' installation
- All mounting hardware supplied



Features tilt adjustment in incremented positions for the perfect viewing angle



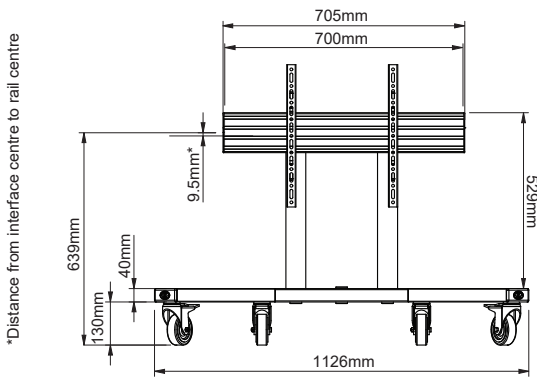
Non-marking 4" locking/braked castors included for easy repositioning



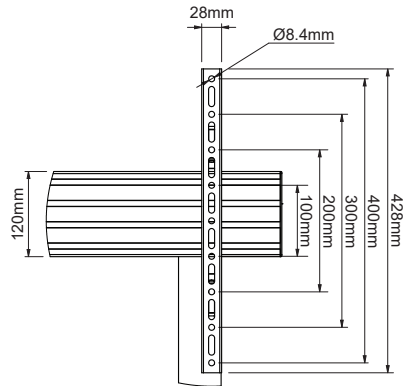
Cable management included for a neat and tidy installation



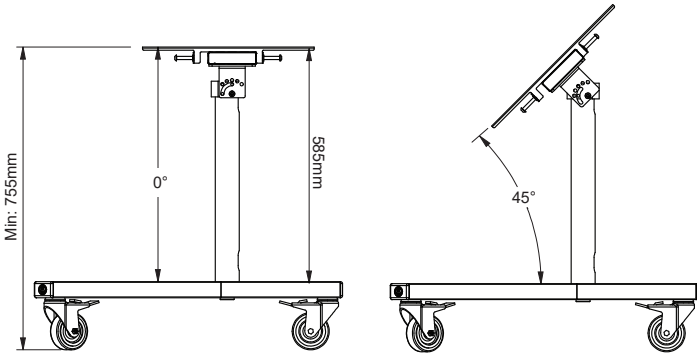
Simple 'hook-on' installation



FRONT VIEW

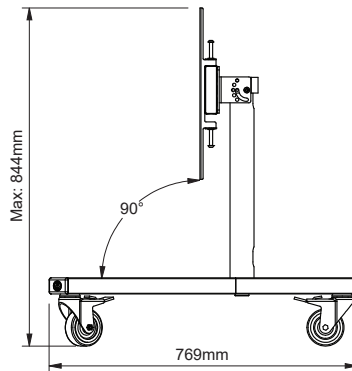


INTERFACE ARM
CLOSE UP VIEW

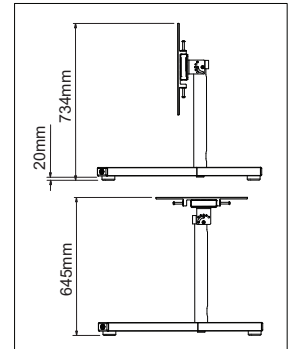


0° TILT

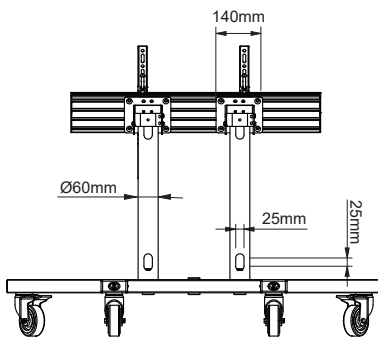
45° TILT



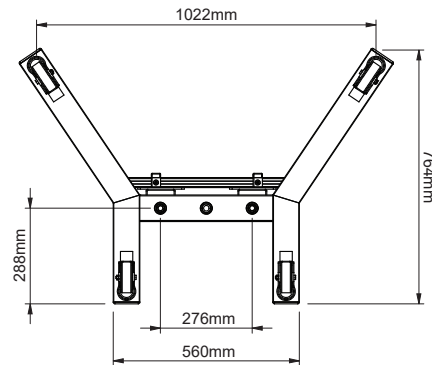
90° TILT



HEIGHT OF STAND USING
LEVELLING FEET



REAR VIEW



TROLLEY BASE

PACKING INFORMATION

PLEASE NOTE, THIS IS A MULTI-BOX ITEM

ORIGINAL DESIGNS BY B-TECH AV MOUNTS - REGISTERED DESIGNS & PATENTS APPLY

COLOUR:	ORDER REF:	EAN CODE:	MASTER CARTON QTY:	INNER CARTON QTY:	MASTER CARTON WEIGHT:	MASTER CARTON CUBE:
Black Base & Chrome Poles	BT8540/BC	5019318089343	1/1	0/0	12.34kg / 19kg	0.073cbm / 0.059cbm

ACCESSORIES AND SIMILAR PRODUCTS

BT7032



Large AV Accessory Shelf is ideal for adding AV accessories such as a Blu-Ray player or laptop to an installation

BT7260



60mm Accessory Collar for fixing mounts and accessories to Ø60mm poles

BT8541



Low Level Flat Screen Display Stand with a tilt adjustment of up to 90°, for screens up to 65"

BT8506



Extra-large Flat Screen Trolley designed for heavy duty touchscreens up to 120"

© 2016 B-Tech AV Mounts. All rights reserved. The information in this specification is for reference only. B-Tech AV Mounts is a registered trademark of B-Tech International Design & Manufacturing Ltd. We warrant the fit and finish of the product to meet the technical specifications without limitation. This is not a warranty of performance. B-Tech AV Mounts is not liable for loss or damage caused by improper or misuse of the product. Any reproduction or modification of any part of this specification is expressly prohibited, unless prior written permission has been granted by B-Tech International Design & Manufacturing Ltd. (B-Tech).

SS-V3.1-BT8540-040718