

FPMA-D025BLACK

NEOMOUNTS FPMA-D025BLACK MONITOR ARM 10-30" - TILTABLE

SPECIFICATIONS

GENERAL

Min. screen size*	10
Max. screen size*	30
Min. weight	0
Max. weight	12
Screens	1
Desk mount	Grommet
VESA maximum	100x100 mm
VESA minimum	75x75 mm

FUNCTIE

Type	Tilt
Height adjustment	37 - 47 cm
Depth adjustment	5 cm
Tilt (degrees)	180°
Rotate (degrees)	360°
Adjustment type	Manual

INFORMATION

Color	Black
Main material	Steel
Warranty	5 year

*Please note: The inch sizes stated are just an indication, combined with the weight and VESA sizes. The maximum weight and VESA size are absolute restrictions for the products and should not be exceeded.



Neomounts



Neomounts

Neomounts FPMA-D025BLACK Single monitor arm - 10-30" - 0-12 kg - tiltable - black

The Neomounts desk mount, model FPMA-D025BLACK is a tilt and rotatable desk mount for flat screens up to 30" (76 cm). This mount is a great choice for space saving placement on desks using a grommet mount.

Neomounts versatile tilt (180°) and rotate (360°) technology allows the mount to change to any viewing angle to fully benefit from the capabilities of the flat screen. The mount is easily height adjustable from 37 to 47 centimetres. An innovative cable management conceals and routes cables from mount to flat screen. Hide your cables to keep the workplace nice and tidy.

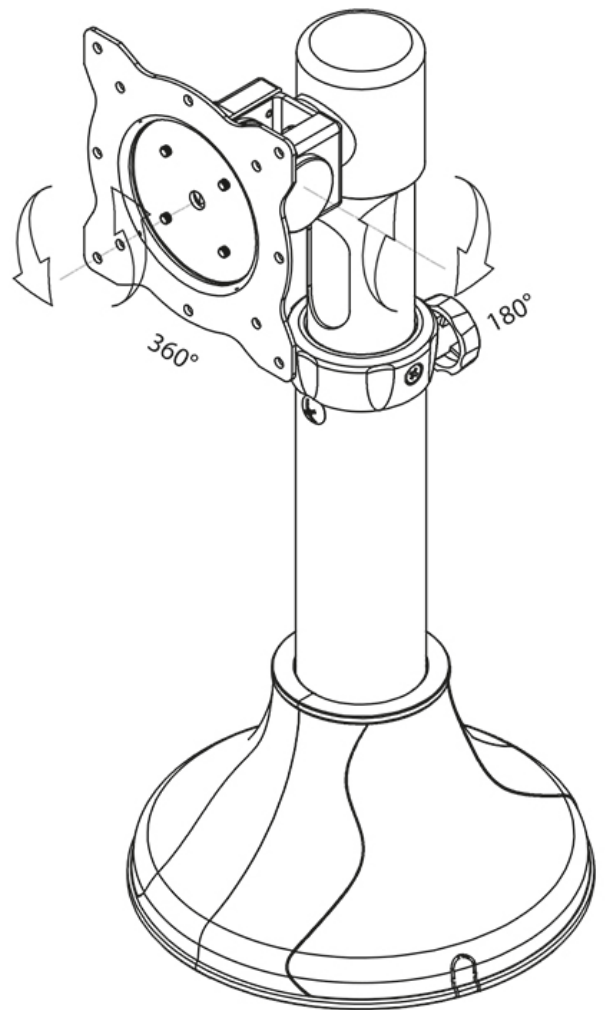
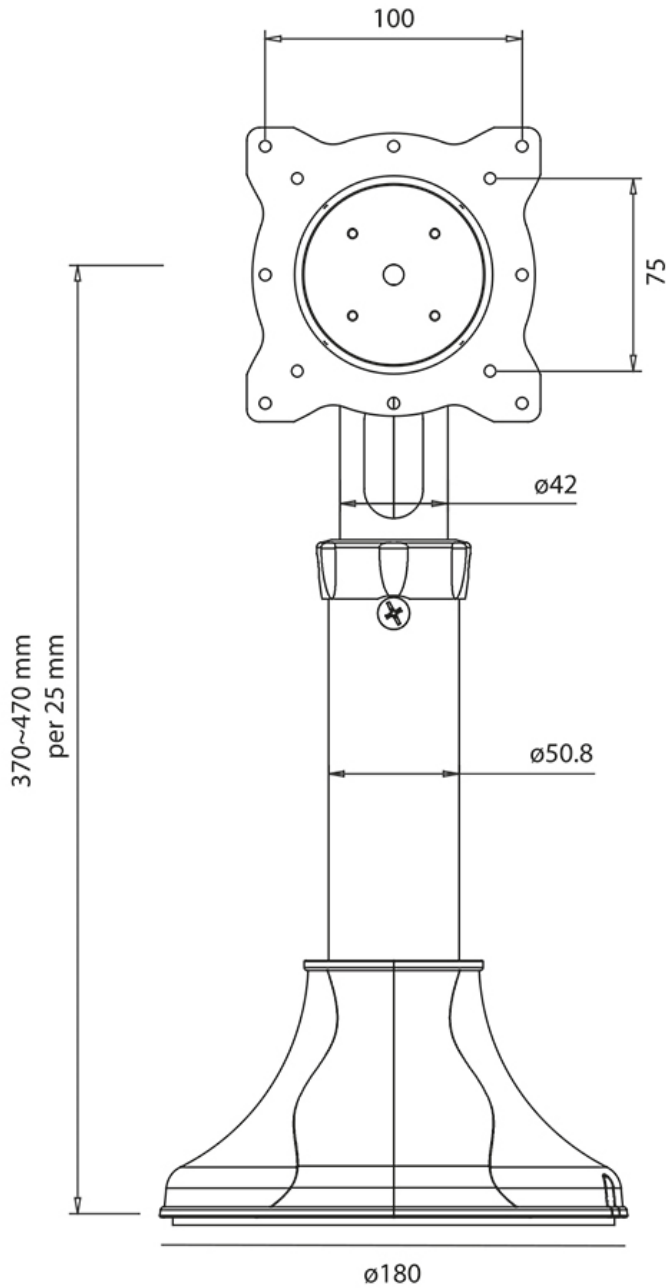
Neomounts FPMA-D025BLACK has one pivot point and is suitable for screens up to 30" (76 cm). The weight capacity of this product is 12 kg each screen. The desk mount is suitable for screens that meet VESA hole pattern 75x75 or 100x100mm. Different hole patterns can be covered using Neomounts VESA adapter plates.

By using an ergonomic flat screen mount you prevent neck- and back complaints. Ideal for use in offices and on counters or in a reception area.

All installation material is included with the product.

FPMA-D025BLACK

NEOMOUNTS FPMA-D025BLACK MONITOR ARM
10-30" - TILTABLE



Neomounts

Measuring unit: mm