



DisplayPort Adapter Cables

- Adapts a DisplayPort Source device to VGA, DVI or HDMI compatible displays
- Supports DisplayPort 1.2 specification
- Supports up to a 1080p Resolution (HDMI)
- Supports up to a 1920x1200 resolution (DVI & VGA)
- Lifetime Warranty

Specifications: DisplayPort Adapter Cables

Electrical Characteristics:

Voltage Rating:	30v	
Conductor Resistance:	@ 20°C max	
Insulation Resistance:	10MΩ/km	
Time Delay:	5.2ns/m (max)	
Attenuation:	5.02dB@100-450MHz	7.69dB@1GHz
	12.595dB@2GHz	17.495dB@3GHz
	22.395dB@4GHz	27.295dB@5GHz
	32.195dB@6GHz	37.095dB@7GHz

Physical Characteristics:

Operating Temperature:	0°C to 50°C
Storage Temperature:	-25°C to 70°C
Approvals:	CE
Warranty:	Lifetime

Conductor (2 Conductors, 5 Pair):

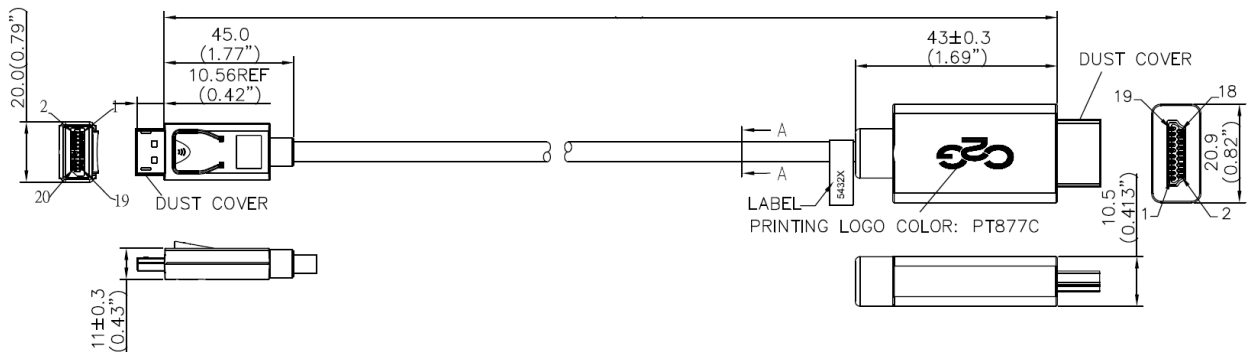
Conductor:	30AWG (7/0.1TC)
Insulation:	FM-PE, ID:0.8±0.05mm
Color:	White/Brown, White/Red, White/Orange, White/Green White/Blue
Drain:	30AWG (7/0.1TC) HD-PE ID:0.56±0.05
Shield:	AL-Mylar Wrap Coverage—100%

Conductor (5 Conductors):

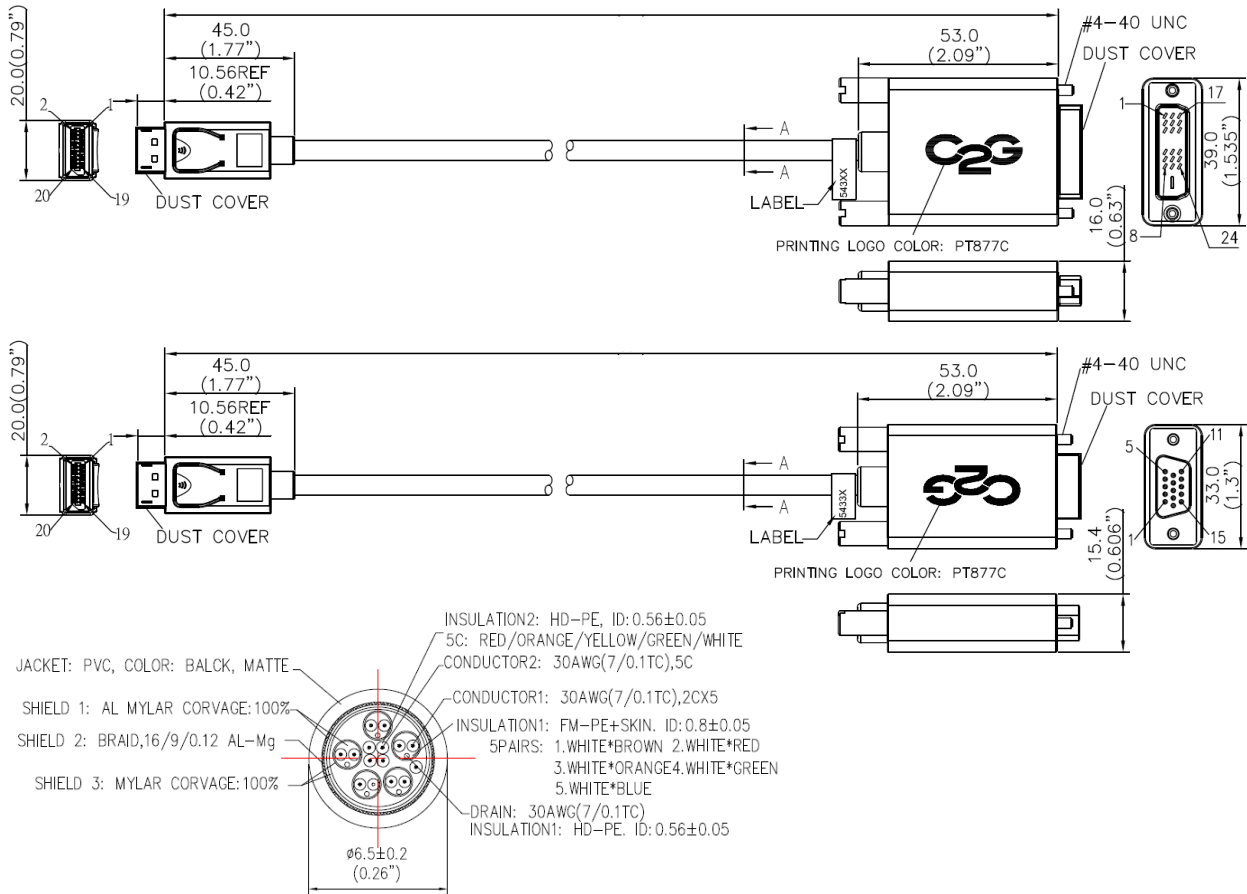
Conductor:	30AWG (7/0.1TC)
Insulation:	HD-PE, ID:0.56±0.05mm
Color:	Red/Orange/Yellow/Green/ White

Overall Cable

Jacket:	PVC
Shield:	AL-Mylar—Coverage 100%
Drain:	Braid—16/9/0.12
OD:	2:30AWG (7/0.08 BC) 6.5±0.2



Specifications: DisplayPort Adapter Cables



Part Number	Description	Weight (Kg)
84325	1m DisplayPort Male to HD Male Adapter Cable—Black	
84326	2m DisplayPort Male to HD Male Adapter Cable—Black	
84327	3m DisplayPort Male to HD Male Adapter Cable—Black	
84328	1m DisplayPort Male to Single Link DVI-D Male Adapter Cable—Black	
84329	2m DisplayPort Male to Single Link DVI-D Male Adapter Cable—Black	
84330	3m DisplayPort Male to Single Link DVI-D Male Adapter Cable—Black	
84331	1m DisplayPort Male to VGA Male Adapter Cable—Black	
84332	2m DisplayPort Male to VGA Male Adapter Cable—Black	
84333	3m DisplayPort Male to VGA Male Adapter Cable—Black	

