



STRAIGHT POWER 10

WORLD CLASS QUIET AND EFFICIENCY

700W • 600W • 500W • 400W

premium

IDEAL APPLICATIONS

- Advanced multi-GPU gaming
- Extremely silent PC builds
- Multimedia systems and home theater
- Photo and video editing

HIGHLIGHTS

- Virtually inaudible SilentWings® 3 135mm fan
- World class efficiency (up to 93%)
- High-quality sleeved cables
- Best-in-class stability for CPU and GPU

World class quiet and efficiency

be quiet! Straight Power 10 provides a new level of silent performance for systems that demand whisper-quiet operation without compromising on power quality.

Highlights »

- Virtually inaudible SilentWings® 3 135mm fan with improved fan frame
- Big funnel-shaped fan opening of the PSU case induces high airflow intake
- 80PLUS® Gold power efficiency (up to 93%)
- Up to four high-performance 12V-rails
- Power signal stability unmatched in its class
- Powerful GPU support with up to four PCI-Express connectors
- Premium 105°C-rated parts enhance stability and reliability
- ErP 2014 ready
- Product conception, design and quality control in Germany
- 5-year warranty

Straight Power 10 »

Whether you're building a high-performance multi-GPU gaming system, assembling an extraordinarily quiet multimedia PC, or simply seeking a better, quieter upgrade for an existing system, be quiet! Straight Power 10 is a 'Best Choice.'



*According to the yearly PC Games Hardware's „Manufacturer of the year“ election (2006-2013) and market data from GfK (2007-2014)

STRAIGHT POWER 10

WORLD CLASS QUIET AND EFFICIENCY

Technical Data »

	700W	600W	500W	400W
IN GENERAL				
Model	700W	600W	500W	400W
Article no.	BN233	BN232	BN231	BN230
EAN Code	4260052183663	4260052183656	4260052183649	4260052184288
Voltage / Frequency	100-240Vac / 50-60Hz	100-240Vac / 50-60Hz	100-240Vac / 50-60Hz	100-240Vac / 50-60Hz
ATX 12V 2.4 / EPS 12V 2.92	✓ / ✓	✓ / ✓	✓ / ✓	✓ / ✓
Dimensions (L x W x D)	160 x 150 x 86	160 x 150 x 86	160 x 150 x 86	160 x 150 x 86
SilentWings® fan	135	135	135	135
Noise level (dB(A)) at 20 / 50 / 100% load	10.6 / 11.9 / 23.1	10.7 / 11.7 / 20.1	10.2 / 10.9 / 15.5	10.4 / 10.4 / 11.7
Efficiency (%) at 230V	up to 93	up to 93	up to 93	up to 93
12V-rails	4	4	4	3
Active PFC	✓	✓	✓	✓
OCP, OVP, UVP, SCP, OPP, OTP	✓	✓	✓	✓
Certifications	80PLUS® Gold, AMD CrossFireX, NVIDIA SLI	80PLUS® Gold, AMD CrossFireX	80PLUS® Gold	80PLUS® Gold
Energy Star 6.0 compatible	✓	✓	✓	✓
ErP2014 ready	✓	✓	✓	✓
Lifetime of fan at 25°C (h)	100,000	100,000	100,000	100,000
CABLES				
No. of cables	8	7	7	6
Maximum cable length (cm)	115	115	115	115
Length of ATX-connection cable (cm)	60	60	60	60
Sleeved cables	✓	✓	✓	✓
CONNECTORS				
ATX-Mainboard (20+4-pin)	✓	✓	✓	✓
PCI-Express (6+2-pin)	4	4	4	2
P8-/P4-connector	1x P4+4	1x P4+4	1x P4+4	1x P4+4
S-ATA (5-pin)	11	9	9	6
IDE (4-pin)	4	3	3	3
FDD (Floppy)	1	1	1	1

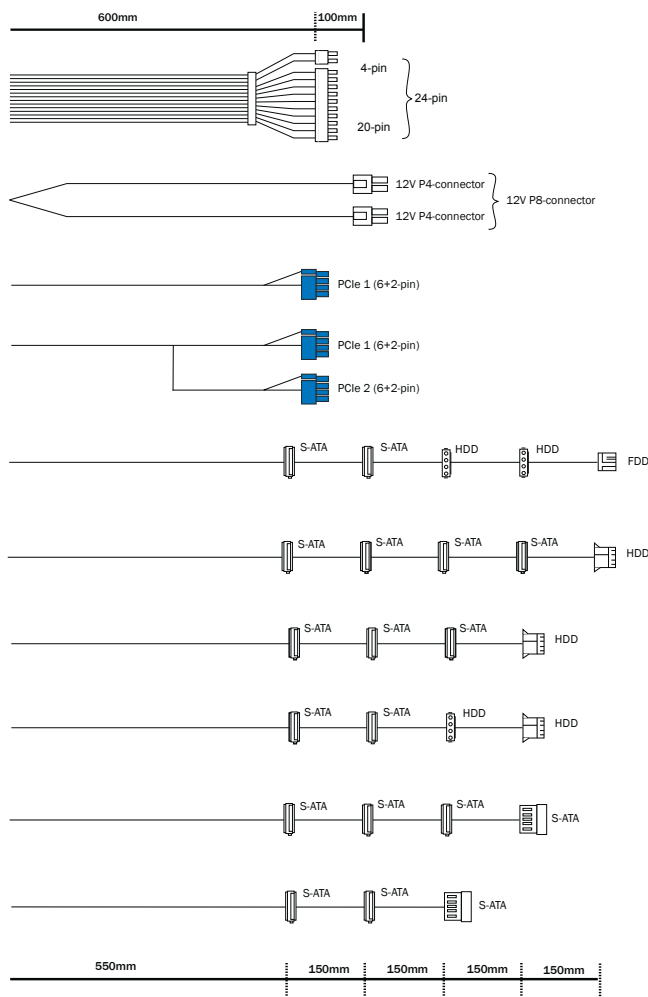
Output Data »

STRAIGHT POWER 10 400W	AC Input	100-240Vac 50-60Hz 6-3A						
	DC Output	3.3V	5V	12V1	12V2	12V3	-12V	5VSB
	Max. Current	24A	17A	18A	18A	18A	0.3A	3A
	Max. Combined Power	120W		384W			3.6W	15W
		400W						
STRAIGHT POWER 10 600W	AC Input	100-240Vac 50-60Hz 8-4A						
	DC Output	3.3V	5V	12V1	12V2	12V3	12V4	-12V 5VSB
	Max. Current	24A	24A	18A	18A	20A	20A	0.5A 3A
	Max. Combined Power	140W		576W			6W	15W
		600W						
STRAIGHT POWER 10 500W	AC Input	100-240Vac 50-60Hz 8-4A						
	DC Output	3.3V	5V	12V1	12V2	12V3	12V4	-12V 5VSB
	Max. Current	24A	24A	18A	18A	18A	18A	0.3A 3A
	Max. Combined Power	130W		480W			6W	15W
		500W						
STRAIGHT POWER 10 700W	AC Input	100-240Vac 50-60Hz 10-5A						
	DC Output	3.3V	5V	12V1	12V2	12V3	12V4	-12V 5VSB
	Max. Current	25A	25A	18A	18A	22A	22A	0.5A 3A
	Max. Combined Power	150W		672W			6W	15W
		700W						

STRAIGHT POWER 10

WORLD CLASS QUIET AND EFFICIENCY

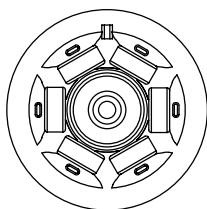
Cables »



700W	600W	500W	400W
600mm	600mm	600mm	600mm
700mm	700mm	700mm	700mm
-	-	600mm 2x	600mm 2x
600mm 2x	600mm 2x	-	-
550mm*	550mm*	550mm*	550mm*
-	-	-	550mm*
-	550mm*	550mm*	-
550mm*	-	-	-
550mm*	550mm*	550mm*	-
550mm*	-	-	-

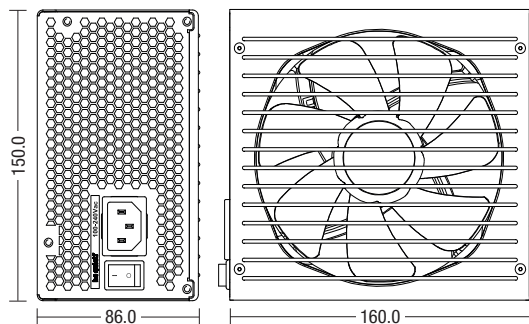
*cable length to first connector

6-Pole Fan Motor »

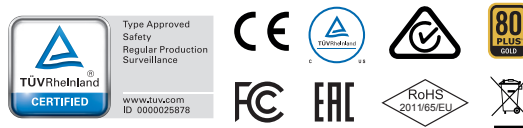


- 6 poles contribute to:
- smoother transition between magnetic poles
 - less vibration for quiet operation
 - reduced power consumption
 - low start-up voltage

Dimensions »



Certifications »



Contact »

Service Hotline: +49 40 7367 686 44 (Mo-Fr. 9:00-17:30)

Mail: service@bequiet.com

+ SILENT WINGS®



Virtually inaudible cooling for your system »

The fan quality is one of the main factors contributing to the noise level of your PC. As the German specialist for outstandingly quiet computer components we have more than 10 years of experience in the field of noise reduction. That knowledge allows us to produce the quietest fans on the market.

Look for the +SilentWings Logo. It indicates our products which include our state-of-the-art fan technology and enables the perfect balance between superior cooling and serenity.