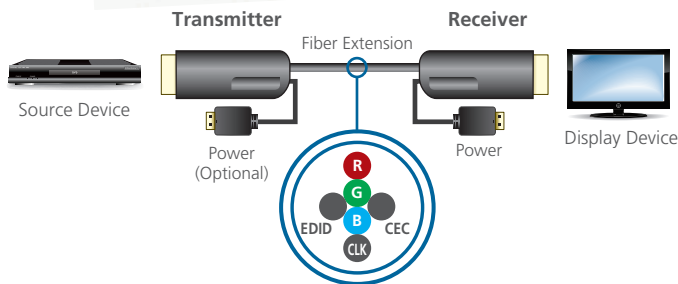


VE872/VE873/VE874/VE875

HDMI Active Optical Cable

- The VE872/VE873/VE874/VE875 HDMI Active Optical Cable utilizes ATEN's unique AOC+™ technology that enables conversion between input signals and optical signals for optimum high bandwidth data transmissions. This EMI-resistant optical cable comes in 15, 30, 50 and 100m cable lengths with full support of 1080p resolutions that can withstand extreme conditions while improving speed and distance. It's fully compliant with HDMI standards and provides support for high-speed transmission, 3D and 4K x 2K resolutions. This cable is the ideal solution for extending the reach of your digital signage in various settings, such as in large shopping malls and hospital facilities.



Features

- Converts electrical data signals to optical signals
- HDMI (3D, 4kx2k, Deep Color); HDCP Compatible
- Superior video quality – up to 4096 x 2160
- RF/EMI free for clear signal transmission
- Easy to install with optical fiber cable
- Powered remote unit via USB Cable
- High data transfer rates of 10.2 Gbps
- Plug-and-play – no software required

Highlights

AOC+™

Active Optical Cable Plus

AOC+™ is a technology that converts input signals into fiber optic signals between connectors over long distances.

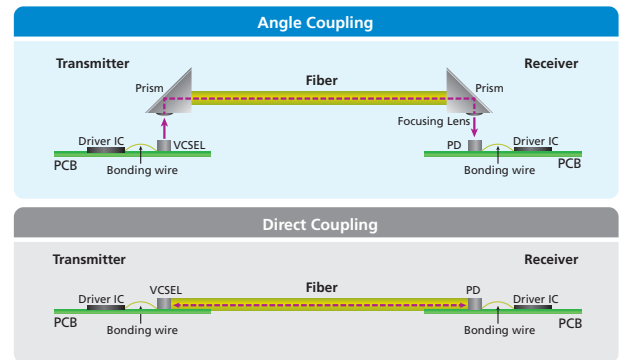
Using the EMI-free fiber optic cable as the medium between connectors to transmit signals, AOC+™ delivers the best A/V quality with pure HDMI integration compatibility and high-bandwidth transmissions without signal degradation.

Direct coupling – uses a simple passive alignment scheme to interconnect optical signals from 2 ends without involving a coupling capacitor, offering a high-speed data transmission without signal interference.

Automated Manufacturing – mass produced in an automation process that generates a higher yield rate with better reliability.

Guide Pin Design – The exclusive Guide Pin design of the fiber connectors helps to reduce the production time to provide better product stability and reliability in the long run.

Fiber Dust Cover – The built-in light engine dust cover prevents the bare fiber from being exposed and damaged by external forces, which in return prolongs its lifetime.



Specifications

Function	VE872	VE873	VE874	VE875
Video Input				
Interface		1 x HDMI Type A Male (Black)		
Impedance		100 Ω		
Video Output				
Interface		1 x HDMI Type A Male (Black)		
Impedance		100 Ω		
Video				
Max. Data Rate		10.2 Gbps		
Max. Pixel Clock		340 MHz		
Compliance		HDMI (3D, Deep Color, 4K); HDCP Compatible Consumer Electronics Control (CEC)		
Max. Resolutions / Distance		Up to VE872 : 4K@15m; VE873 : 4K@30m; VE874 : 4K@50m; VE875 : 4K@100m *4K supported: 4096 x 2160 / 3840 x 2160 @ 60Hz (4:2:0); 4096 x 2160 / 3840 x 2160 @ 30Hz (4:4:4)		
Audio				
Input		1 x HDMI Type A Male (Black)		
Output		1 x HDMI Type A Male (Black)		
Power				
Connectors		1 x DC Jack		
Consumption		5 VDC, 1W		
Environmental				
Operating Temperature		0-50°C		
Storage Temperature		-20 - 60°C		
Humidity		0 - 80% RH, Non-Condensing		
Physical Properties				
Housing		Metal		
Weight	0.14 kg	0.25 kg	0.36 kg	0.71 kg

