

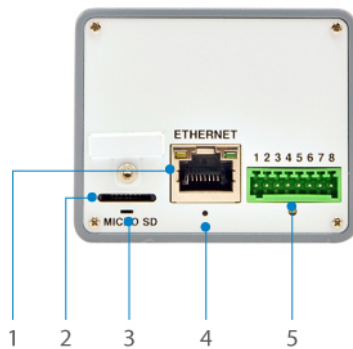


FCS-1153 Version: 2

! Power supply unit is to be ordered separately.

HUBBLE Varifocal IP Network Camera, 5-Megapixel, 802.3af PoE

The LevelOne FCS-1153 fixed-position camera offers an ultra-reliable, cost-effective solution for IP surveillance networks. Providing clear, sharp imagery with 5-Megapixel resolution and the versatility of 802.3af standard PoE to transfer power and data via a single Cat.5 cable, the LevelOne FCS-1153 should be an essential part of any security deployment.



- 1. Ethernet Port
- 2. Memory Card Slot
- 3. Power LED
- 4. Reset Button
- 5. Audio Input/ Output & Digital Input/ Output

- 6. DC Iris Port

Key Features

- 5-Megapixel high-definition resolution
- 2.8-12 mm adjustable Vari-focal length for wide angle surveillance
- Built-in Micro SDHC/SDXC card slot for local storage
- Video compression: H.264, MJPEG
- Removable IR-cut filter for day and night surveillance
- Power support: PoE (IEEE 802.3af)
- Free surveillance and CMS (Central Management System) software packages with 64-channel license



Specifications

System Specifications

Standards & Protocols:

IEEE 802.3 10-BASE-T, Ethernet
IEEE 802.3u 100-BASE-TX, Fast Ethernet
IEEE 802.3af Power over Ethernet (PoE)
TCP, UDP, HTTP, HTTPS, DHCP, PPPoE, RTP, RTSP, IPv6, DNS, DDNS, NTP, ICMP, ARP, IGMP, SMTP, FTP, UPnP, SNMP, Bonjour

Image Sensor:

5-Megapixel 1/3.2" Progressive Scan CMOS

Lens:

Vari-focal, DC iris, Manual focus, f2.8-12mm, F1.4

Port:

1 x RJ-45 10/100 Mbps PoE Port
1 x Auto Iris (DC Drive)
I/O terminal block (1 DI/1 DO)
1 x MicroSDHC/ MicroSDXC card slot

Button/Knob:

Reset Button

Indicator:

Power

IR Cut Filter:

Removable infrared-cut filter for day & night function

Shutter Time:

1/5 ~ 1/10,000 sec

Angle of View:

70.9° - 29.2°

Pan/Tilt/Zoom:

Digital Zoom to very high detail available on Software

Video Compression:

H.264 / MJPEG

Resolution:

5M (2592x1944)

Output Video Format:

RAW

Audio Compression:

G.711

Power Input:

802.3af PoE

Power Consumption:

PoE Class 2 (IEEE802.3af) / 4.002W

Data Rate:

10/100Mbps

Storage Capacity:

SD/MicroSD memory card of up to 64GB

Features

General:

Backup: MicroSDHC /MicroSDXC card slot for local storage

Video:

Image Setting: - Adjustable image size, quality and bit rate

- Configurable brightness, sharpness, contrast, saturation, white balance and exposure

- AGC/AWB/AES

- Back Light Compensation (BLC)

- 2D Noise Reduction (2DNR)

Streaming: Up to 2 video streams

Performance**Frame Rate (fps):**

15fps at 2592 x 1944; 15 fps at 2048x1536; 30 fps at 1920 x 1080; 30 fps at 1280 x 720; 30 fps at 640 x 480; 15 fps at 320 x 240

Minimum illumination:

Color: 0.1 lux

B/W: 0.05 lux at F2.0

Environment**Operating Temperature (°C):**

Operating: -10°C ~ 50°C

Operating Humidity (Non-condensing):

Operating: 10% ~ 85%

Installation:

Wall Mount

Physical Specifications**Dimensions (W x D x H mm):**

67 x 169 x 67 mm

Weight (g):

438 g

Approval and Compliance**EMI/EMS:**

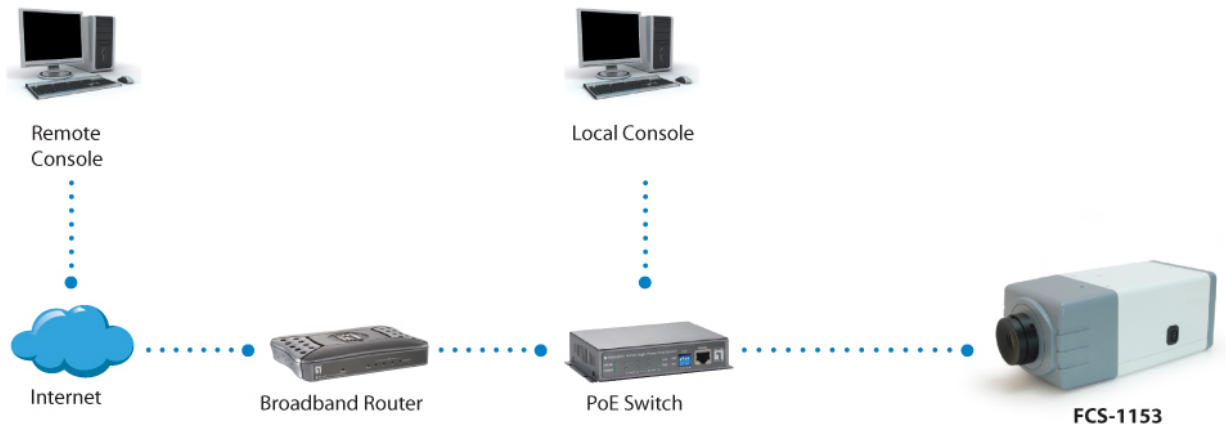
CE, RoHS, FCC, ONVIF

Others**Supported Browsers:**

Microsoft Windows 8/7/Vista/XP



Diagram



Order Information

FCS-1153

Package Contents

FCS-1153
Screw Kit
Quick Installation Guide
Resource CD (User Manual, QIG)

Optional Accessory



CAS-3104
Wall Mount Bracket



CAS-3105
Bracket for Zoom Box Cameras

No liability or responsibility for any errors or omissions in the content.
Specifications are subject to change without notice.
All mentioned brand names are registered trademarks and property of their owners.
Copyright © Digital Data Communications GmbH, Germany. All Rights Reserved.