

FPMA-C025BLACK

NEOMOUNTS FPMA-C025BLACK MONITOR/TV MOUNT CEILING 10-30" - H 37-47 CM - TILTABLE

SPECIFICATIONS

GENERAL

Min. screen size*	10
Max. screen size*	30
Min. weight	0
Max. weight	12
Screens	1
VESA maximum	100x100 mm
VESA minimum	75x75 mm

FUNCTIE

Type	Tilt
Height adjustment	37-47 cm
Depth adjustment	5 cm
Tilt (degrees)	180°
Rotate (degrees)	360°
Adjustment type	Manual

INFORMATION

Color	Black
Main material	Steel
Warranty	5 year

*Please note: The inch sizes stated are just an indication, combined with the weight and VESA sizes. The maximum weight and VESA size are absolute restrictions for the products and should not be exceeded.



Neomounts FPMA-C025BLACK Monitor/TV mount ceiling 1 screen - 10-30" - max 12 kg - VESA 75x75-100x100 - h 37-47 cm - tilttable - black

The Neomounts ceiling mount, model FPMA-C025BLACK is a tilt- and rotatable ceiling mount for flat screens up to 30" (76 cm). This mount is a great choice for space saving placement or when wall mounting and floor placement is not an option.

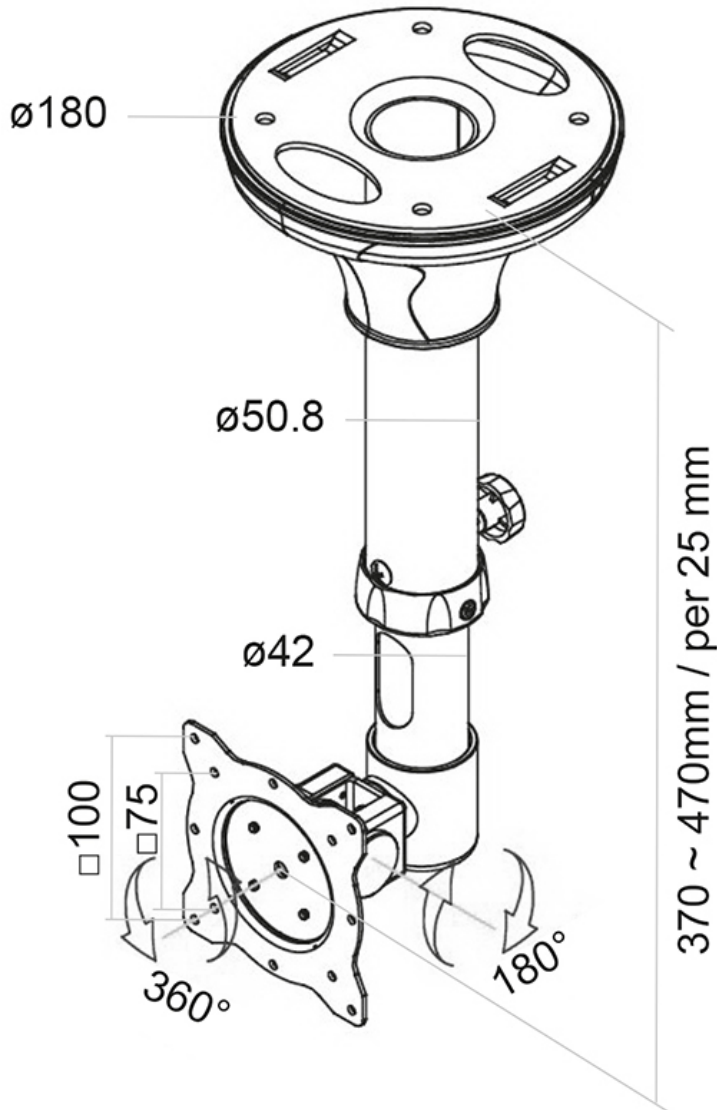
Neomounts versatile tilt (180°) and rotate (360°) technology allows the mount to change to any viewing angle to fully benefit from the capabilities of the flat screen. The support is easily height adjustable from 37 to 47 centimetres. An innovative cable management conceals and routes cables from ceiling to TV. Hide your cables in the column to keep it nice and tidy.

Neomounts FPMA-C025BLACK has one pivot point and is suitable for screens up to 30" (76 cm). The weight capacity of this product is 12 kg. The ceiling mount is suitable for screens that meet VESA hole pattern 75x75 or 100x100mm. Different hole patterns can be covered using Neomounts VESA adapter plates.

All installation material is included with the product.

FPMA-C025BLACK

NEOMOUNTS FPMA-C025BLACK MONITOR/TV
MOUNT CEILING 10-30" - H 37-47 CM - TILTABLE



Neomounts

Measuring unit: mm