



EO-RG920

User Manual

Table of Contents

English(UK)

Français

Deutsch

Italiano

Español

Magyar

Polski

Română

Български

Hrvatski

Srpski

Português

Latviešu

Lietuvių kalba

Eesti

Nederlands

Svenska

Norsk

Suomi

Dansk

Ελληνικά

Slovenščina

Türkçe

Русский

Українська

Қазақ тілі

English(USA)

Español(Castellano)

简体中文

繁體中文(香港)

繁體中文(台灣)

Français(Canada)

Português(Brasil)

한국어

العربية

فارسی

Read me first

Please read this manual before using the device to ensure safe and proper use.

- Descriptions are based on the device's default settings.
- Images may differ in appearance from the actual product. Content is subject to change without prior notice.

Instructional icons



Warning: situations that could cause injury to yourself or others



Caution: situations that could cause damage to your device or other equipment



Note: notes, usage tips, or additional information

Getting started

About Level Link

The Level Link supports receiving mode and sending mode. In receiving mode, you can connect earphones to the Level Link and use it as a Bluetooth headset for Bluetooth-enabled devices, such as smartphones or tablets. In sending mode, you can use the device as a dongle that connects to computers, TVs, Bluetooth headsets, and more.

In receiving mode, you can use the following features:

- Launching S Voice
- Receiving or ending calls
- Controlling multimedia files

In sending mode, you can play sound of the connected multimedia device.

Package contents

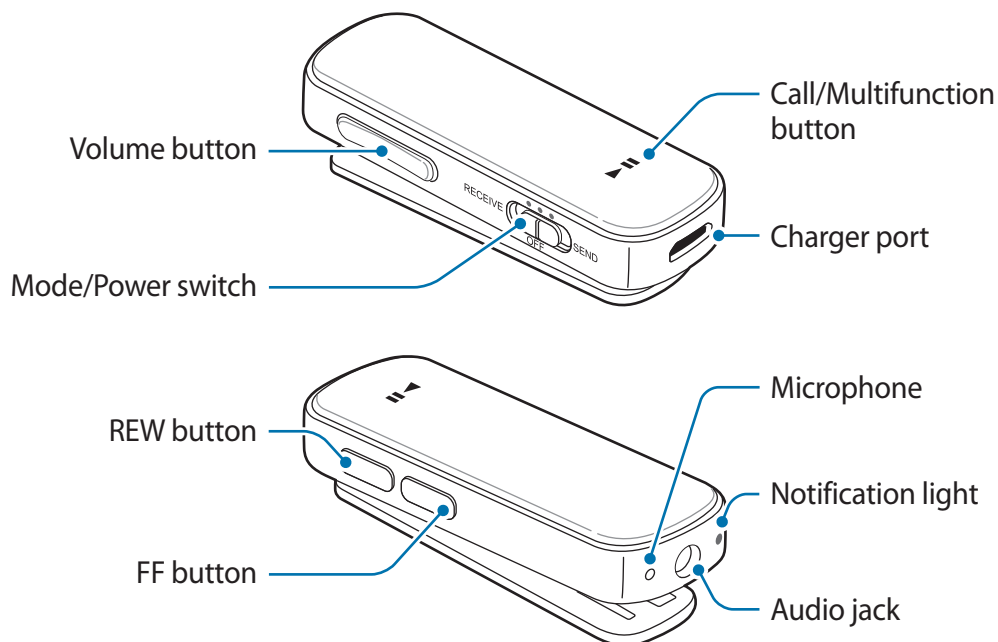
Check the product box for the following items:

- Device
- Earphones
- USB cable
- Audio cable
- Quick start guide



- The items supplied with the device and any available accessories may vary depending on the region or service provider.
- The supplied items are designed only for this device and may not be compatible with other devices.
- Appearances and specifications are subject to change without prior notice.
- You can purchase additional accessories from your local Samsung retailer. Make sure they are compatible with the device before purchase.
- Use only Samsung-approved accessories. Using unapproved accessories may cause the performance problems and malfunctions that are not covered by the warranty.
- Availability of all accessories is subject to change depending entirely on manufacturing companies. For more information about available accessories, refer to the Samsung website.

Device layout



Buttons and functions

Name	Function
Mode/Power switch	<ul style="list-style-type: none"> Slide left to activate receiving mode and slide right to activate sending mode. Slide to OFF to turn off the device.
Call/Multifunction button	<ul style="list-style-type: none"> In receiving mode, press and hold for 1 second to launch S Voice. In receiving mode, press to answer or end a call. In receiving mode, press and hold to reject a call. In receiving mode, press and hold to transfer calls from the Level Link to your other device, or vice versa. In receiving mode, press to play or stop multimedia files. In receiving mode or sending mode, press and hold for 3 seconds to enter Bluetooth pairing mode.
Volume button	<ul style="list-style-type: none"> In receiving mode, press to adjust the volume during a call. In receiving mode, press to adjust the volume while playing multimedia files.
REW button / FF buttons	<ul style="list-style-type: none"> In receiving mode, press to play the previous or next multimedia file during playback. In receiving mode, press and hold to rewind or fast forward a multimedia file during playback.

Status indicator

Status	Colour
Bluetooth pairing mode	<ul style="list-style-type: none"> Flashing red, green, and blue
Power on or activate modes	<ul style="list-style-type: none"> Flashing blue 3 times
Power off	<ul style="list-style-type: none"> Flashing red 3 times
Incoming call	<ul style="list-style-type: none"> Flashing blue

Charging the battery

Charge the battery before using the Level Link for the first time or when the Level Link has been unused for extended periods.

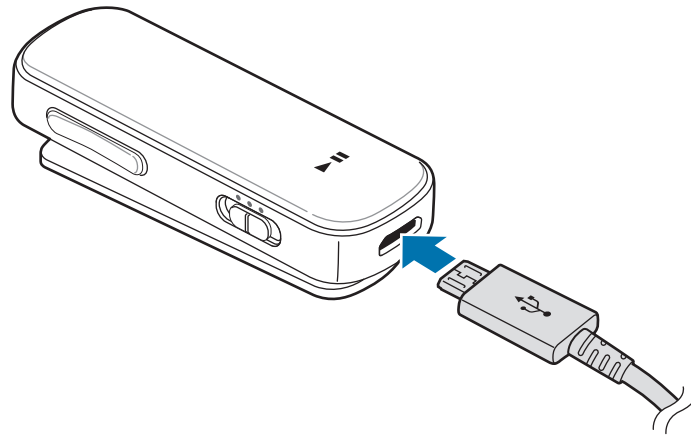


Use only Samsung-approved chargers, batteries, and cables. Unapproved chargers or cables can cause the battery to explode or damage the headset.



If the battery is completely discharged, the headset cannot be turned on immediately when the charger is connected. Allow a depleted battery to charge for a few minutes before turning on the headset.

Connect the device to a computer or the USB power adaptor via the USB cable.



Connecting the charger improperly may cause serious damage to the device. Any damage caused by misuse is not covered by the warranty.



- The device can be used while it is charging, but it may take longer to fully charge the battery.
- While charging, the device may heat up. This is normal and should not affect the device's lifespan or performance. If the battery gets hotter than usual, the charger may stop charging.
- If the device is not charging properly, take the device and the charger to a Samsung Service Centre.

After fully charging, disconnect the device from the charger. First unplug the charger from the device, and then unplug it from the electric socket.



To save energy, unplug the charger when not in use. The charger does not have a power switch, so you must unplug the charger from the electric socket when not in use to avoid wasting power. The charger should remain close to the electric socket and easily accessible while charging.

Checking the battery level

Simultaneously press and hold the Volume up button and the Multifunction button for 1 second. The notification light flashes three times in different colours according to the charging status.

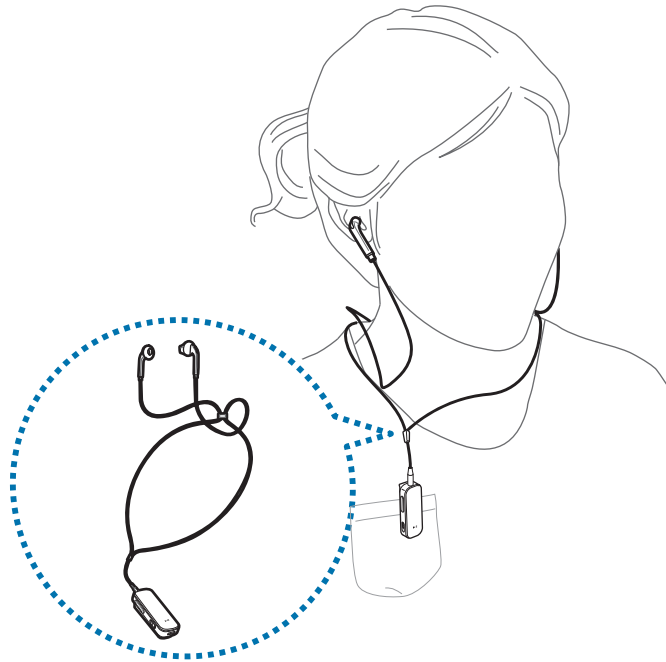
Status	Colour
Less than 30%	• Red
30-60%	• Yellow
More than 60%	• Green

Wearing the device and earphones

Connect the supplied earphones to the Level Link and wear them around your neck.

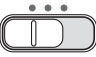
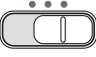

- 1 Plug the earphones into the audio jack of the Level Link.
- 2 Adjust the earphone clip form a loop large enough to fit your head through.

- 3 Clip the Level Link on your clothes.
- 4 Wear the earphones around your neck and plug in the earbuds.



Use caution when using this device with wired earphones. You may choke if the earphones wrap around your neck.

Turning the device on and off

- : Activate receiving mode.
- : Activate sending mode.
- : Turn off the device.



Follow all posted warnings and directions from authorised personnel in areas where the use of wireless devices is restricted, such as aeroplanes and hospitals.

Using the device

Bluetooth

About Bluetooth

Bluetooth is a wireless technology standard that uses a 2.4 GHz frequency to connect to various devices over short distances. It can connect and exchange data with other Bluetooth enabled devices, such as mobile devices, computers, printers, and other digital home appliances, without connecting via cables.

Notices for using Bluetooth

- To avoid problems when connecting your device to another device, place the devices close to each other.
- Ensure that your device and the other Bluetooth device are within the Bluetooth connection range (10 m). The distance may vary depending on the environment the devices are used in.
- Ensure that there are no obstacles between the headset and a connected device, including human bodies, walls, corners, or fences.
- Do not touch the Bluetooth antenna of a connected device.
- Bluetooth uses the same frequency as some industrial, scientific, medical, and low power products and interference may occur when making connections near these types of products.
- Some devices, especially those that are not tested or approved by the Bluetooth SIG, may be incompatible with the headset.
- Do not use the Bluetooth feature for illegal purposes (for example, pirating copies of files or illegally tapping communications for commercial purposes).

Connecting to other devices



Sound quality and usage range between the Level Link and connected audio devices may vary depending on the Bluetooth-enabled audio devices.

Connecting in receiving mode

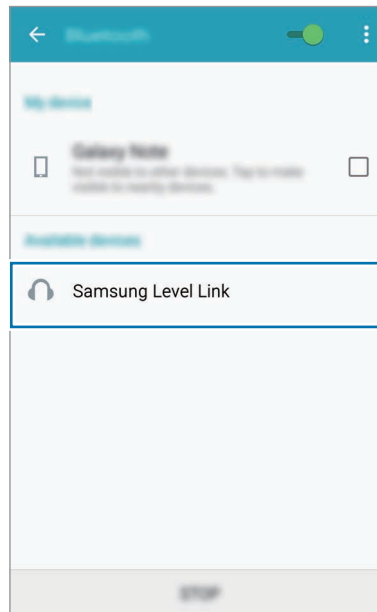
You can receive incoming calls or listen to music when your Level Link is connected to Bluetooth-enabled devices. When you turn on the Level Link for the first time, it enters Bluetooth pairing mode.



- When pairing the Level Link with other devices via Bluetooth for the first time, the Level Link automatically connects to the paired devices. If the Level Link fails to connect, it enters Bluetooth pairing mode.
- The Level Link can store device information for up to eight devices. If the Level Link has been connected to more than one device, it connects to the most recently paired device.

- 1 Level Link** Slide the Mode switch to the left to activate receiving mode.
- 2 Level Link** Press and hold the Multifunction button for about 3 seconds to enter Bluetooth pairing mode.
- 3 Other device** Activate the Bluetooth feature and search for Bluetooth devices.
For more information, refer to the other device's user manual.

4 **Other device** Tap **Samsung Level Link** from the list.



5 **Level Link** Connect the earphones to the Level Link.

Or, connect the Level Link to the auxiliary input jack of an audio output device via an audio cable.



In this mode, if you connect the Level Link via an audio cable to a TV or computer's audio output jack, your Level Link may be damaged.

Connecting in sending mode

Connect your device to a multimedia player, via the audio cable. You can listen to multimedia files via another audio device, such as a Bluetooth headset. When you turn on the Level Link for the first time, it enters Bluetooth pairing mode.



- When pairing the Level Link with other devices via Bluetooth for the first time, the Level Link automatically connects to the paired devices. If the Level Link fails to connect, it enters Bluetooth pairing mode.
- The Level Link can store device information for up to eight devices. If the Level Link has been connected to more than one device, it connects to the most recently paired device.

- 1 **Level Link** Slide the Mode switch to the right to activate sending mode.
- 2 **Level Link** Press and hold the Multifunction button for about 3 seconds to enter Bluetooth pairing mode.
- 3 **Level Link** Place your Level Link within 30 cm of the paired audio device.
The Level Link and the audio device are now connected via Bluetooth. If the connection fails, turn off the audio device and turn it on again. Then, repeat the steps above.
- 4 Plug the audio cable into the audio jack of the Level Link. Then, plug the other end of the audio cable into the audio output jack of the multimedia player.



- The method for connecting via Bluetooth may vary depending on the connected devices. For more information, refer to the user manual of the connected device.
- When the Level Link is connected to a TV in sending mode, lipsync problems may occur. It is recommended to connect the Level Link to a TV that supports the aptX low-latency codec.
- When using the Level Link with a multimedia player, turn down the multimedia player's volume before unplugging the audio cable to prevent sudden, loud sounds.
- You may experience drops in volume or noise depending on the connected multimedia player's volume. To avoid this, appropriately adjust the multimedia player's sound.

Connecting additional devices

In receiving mode or sending mode, your Level Link can connect to up to two devices via Bluetooth.

- 1 In receiving mode or in sending mode, connect your Level Link to the first device.
- 2 Connect the Level Link to a second device via Bluetooth using the connection method used for the first device.



- In receiving mode, if the Level Link does not appear in the detected devices list, press and hold the Multifunction button for about 3 seconds to enter Bluetooth pairing mode.
- In sending mode, the Level Link supports the aptX low-latency codec when it is connected to one audio device. If two audio devices are simultaneously connected to the Level Link, the aptX codec is not supported and video and audio output may not be synchronised.
- In sending mode, the usage range between the Level Link and other devices may be reduced.

Reconnecting or disconnecting from other devices

Reconnecting the devices

When your Level Link is disconnected from the audio device due to the distance between the devices, bring the devices closer together and press the Multifunction button to pair them again. Or, you can use the Bluetooth menu on the audio device to pair the devices.

Disconnecting the devices

To disconnect the Level Link from the audio device, turn off your device or unpair the devices. If you connected the two devices via an audio cable, unplug the cable from both devices.

Using receiving and sending modes

In receiving mode, you can launch S Voice, answer incoming calls, or play multimedia files. In this mode, use your Level Link with earphones, or connect the Level Link to an audio device via an audio cable.

In sending mode, you can listen to audio from the multimedia player via the connected audio device.



- Available features may vary depending on the device you connect to. Some features may not be available if the Level Link is simultaneously connected to two devices.
- Some features are available only when the Level Link connects to a device via the Hands-Free Profile (HFP).
- The microphone's location varies depending on how you are wearing the Level Link. The position of the Level Link may affect to sound quality during calls.

Launching S Voice

Press the Multifunction button for 1 second. If the connected device support S Voice, you can use the app via the Level Link.

Answering and rejecting calls

Answering a call

Press the Call button to answer calls made to the connected device.

Rejecting a call

Press and hold the Call button to reject calls made to the connected device.

Using options during a call

Adjusting the volume

During a call, press the Volume button to adjust the volume.

Switching sound output

Press and hold the Call button to transfer calls from the Level Link to the connected device. This feature may not be available depending on the connected device.

Ending a call

Press the Call button to end a call.

Playing multimedia files

Play multimedia files in receiving or sending mode. Available features may vary depending on the mode being used.

Playing and stopping a multimedia file

Press the Multifunction button to play the most recent multimedia file on the connected device.

Press the Multifunction button to pause playback. To resume playback, press the Multifunction button again.

Skipping to the previous or next multimedia file

Press the REW button or the FF button to skip to the previous or the next file during playback.

Rewinding or fast forwarding the multimedia file

Press and hold the REW button or FF button to rewind or fast forward the file during playback.

Adjusting the volume

Press the Volume button to adjust the volume.



- When the Level Link is connected to two devices, you can play multimedia files from either device. To play a multimedia file from a different device, pause playback from the other device first.
- When you play a multimedia file from one device, you can still answer calls from the other device.
- If there are differences in the output power of the audio cable and the connected audio device in sending mode, the sound volume on the Level Link may vary.

Performing a data reset

When your Level Link is connected to a device via Bluetooth, the Level Link's information, such as Bluetooth address and device type, is stored on the connected device. To delete the Level Link's connection information, press and hold the Multifunction button for about 3 seconds to enter Bluetooth pairing mode. Then, press and hold the REW, FF, and Multifunction buttons simultaneously for 3 seconds.

Appendix

Troubleshooting

Before contacting a Samsung Service Centre, please attempt the following solutions. Some situations may not apply to your device.

Your device does not turn on

When the battery is completely discharged, your device will not turn on. Charge the battery completely before turning on the device.

The battery does not charge properly (For Samsung-approved chargers)

- Ensure that the charger is connected properly.
- Visit a Samsung Service Centre and have the battery replaced.

Another Bluetooth device cannot locate your device

- Ensure that your device is in Bluetooth pairing mode.
- Reset the device and search for Bluetooth devices.
- Ensure that your device and the other Bluetooth device are within the Bluetooth connection range (10 m).

If the tips above do not solve the problem, contact a Samsung Service Centre.

Another Bluetooth device is not located

- Ensure that the device you wish to connect with supports the Bluetooth wireless feature.
- Ensure that your device and the other Bluetooth device are within the maximum Bluetooth range (10 m).

Bluetooth connect is often disconnected

- If there are obstacles between the devices, the operating distance may be reduced.
- Ensure that your device and the other Bluetooth device are within the maximum Bluetooth range (10 m).
- When using the device with other Bluetooth devices, the connection may be affected by electromagnetic waves. Use the device in environments with fewer wireless devices present.

You cannot hear others speaking

- Adjust the device volume.
- Adjust the volume on the connected device when you cannot hear sounds on your device at full volume.

Sound echoes during a call

Adjust the volume by pressing the Volume button or move to another area.

Others cannot hear you speaking on a call

- Ensure that you are not covering the built-in microphone.
- Ensure that the microphone is close to your mouth.

Audio quality is poor

- Wireless network services may be disabled due to issues with the service provider's network. Ensure to keep the device away from electromagnetic waves.
- Ensure that your device and the other Bluetooth device are within the maximum Bluetooth range (10 m).

The device works differently as described in the manual

- Available functions may differ depending on the connected device.
- Some features cannot be used when two devices are connected with the device at the same time.

The battery depletes faster than when first purchased

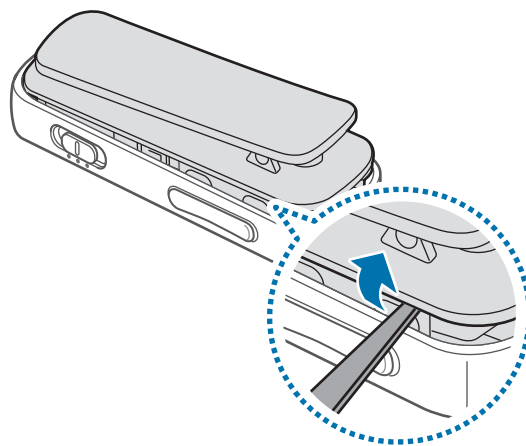
- When you expose the device or the battery to very cold or very hot temperatures, the useful charge may be reduced.
- The battery is consumable and the useful charge will get shorter over time.

Removing the battery (non-removable type)



- These instructions are only for your service provider or an authorised repair agent.
- Damage or faults caused by the unauthorised removal of the battery are not covered by the warranty.
- To remove or replace the battery, contact your service provider or an authorised repair agent.

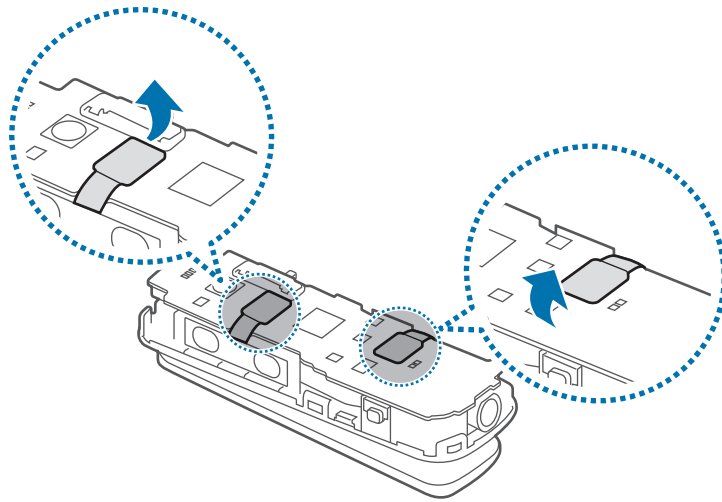
- 1 Insert a thin, flat tool into the gap between the cover and the device's body. Then, use the tool to pry them apart as shown in the image below.



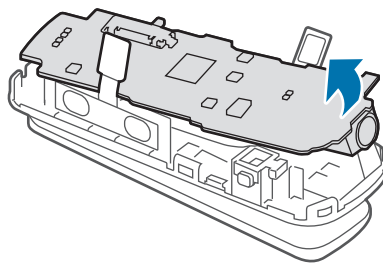
- Take care when inserting the tool to avoid damaging the device's internal components.

- 2 When the cover is separated, put it aside.

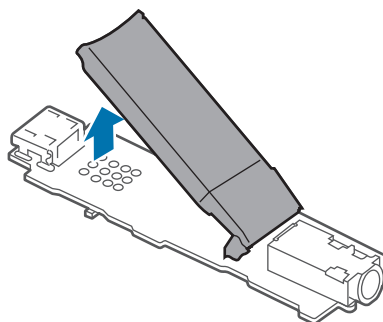
3 Disconnect the battery connectors.



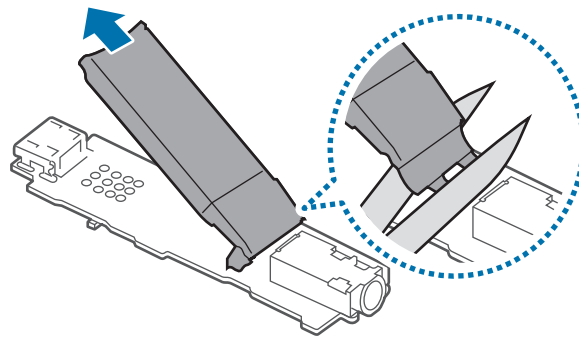
4 Remove the circuit board by detaching it from the device's body and place it face down on a flat surface.



5 Press down on the charging port and pull the battery upwards to free it from the circuit board.



- 6 Pull the battery away from the circuit board and cut the connections where shown in the image below.



- 7 Remove the battery.

Copyright

Copyright © 2015 Samsung Electronics

This manual is protected under international copyright laws.

No part of this manual may be reproduced, distributed, translated, or transmitted in any form or by any means, electronic or mechanical, including photocopying, recording, or storing in any information storage and retrieval system, without the prior written permission of Samsung Electronics.

Trademarks

- SAMSUNG and the SAMSUNG logo are registered trademarks of Samsung Electronics.
- Bluetooth® is a registered trademark of Bluetooth SIG, Inc. worldwide.
- All other trademarks and copyrights are the property of their respective owners.

À lire avant toute utilisation

Veillez lire attentivement ce mode d'emploi, afin de pouvoir utiliser votre appareil correctement et en toute sécurité.

- Les descriptions fournies sont basées sur les paramètres par défaut de l'appareil.
- Les illustrations peuvent différer par rapport à l'aspect réel du produit. Les contenus peuvent faire l'objet de modifications sans préavis.

Icônes



Avertissement : situations susceptibles de vous blesser ou de blesser autrui.



Attention : situations susceptibles d'endommager votre appareil ou d'autres équipements.



Remarque : remarques, conseils d'utilisation ou informations complémentaires.

Démarrage

À propos de la Level Link

La Level Link prend en charge le mode de réception et d'émission. En mode de réception, vous pouvez brancher les écouteurs sur votre Level Link et l'utiliser comme un casque Bluetooth pour les appareils compatibles Bluetooth comme les smartphones ou les tablettes. En mode d'émission, vous pouvez utiliser votre appareil comme routeur pour connecter des ordinateurs, des téléviseurs, des casques Bluetooth, etc.

En mode de réception, vous pouvez utiliser les fonctions suivantes :

- Lancer S Voice
- Recevoir ou mettre fin à des appels
- Contrôler des fichiers multimédia

En mode d'envoi, vous pouvez écouter le son de l'appareil multimédia connecté.

Contenu du coffret

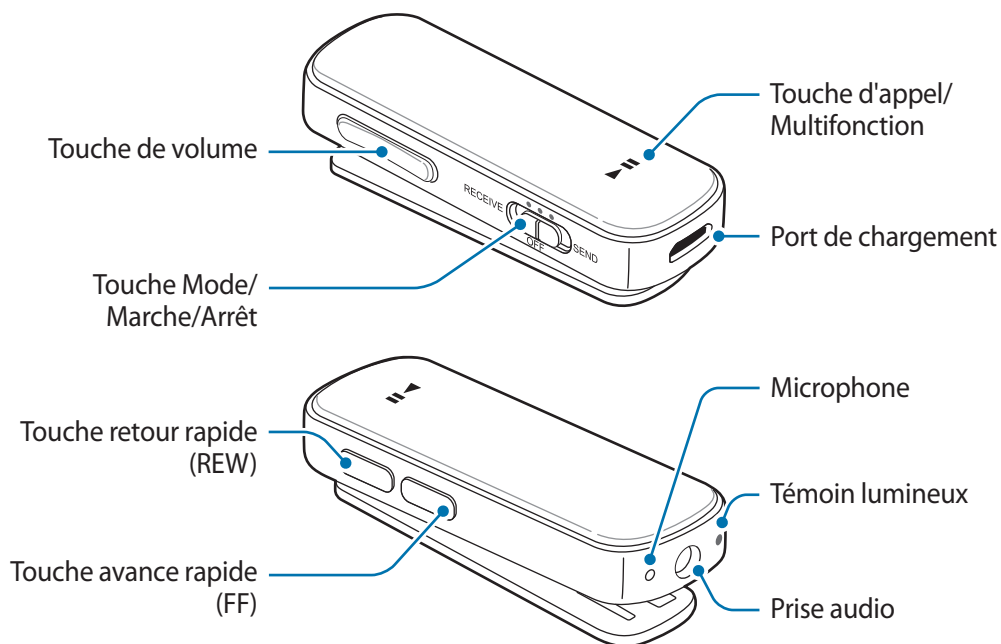
Vérifiez le contenu du coffret et assurez-vous que tous les éléments suivants sont présents :

- Appareil
- Écouteurs
- Câble USB
- Câble audio
- Guide de prise en main rapide



- Les éléments fournis avec l'appareil et les accessoires disponibles peuvent varier en fonction de votre zone géographique ou de votre opérateur.
- Les accessoires fournis ont été spécialement conçus pour votre appareil et peuvent ne pas fonctionner avec d'autres appareils.
- L'apparence et les caractéristiques techniques peuvent faire l'objet de modifications sans préavis.
- Vous pouvez acheter d'autres accessoires auprès de votre revendeur Samsung. Avant tout achat, assurez-vous qu'ils sont compatibles avec votre appareil.
- Utilisez exclusivement des accessoires homologués par Samsung. L'utilisation d'accessoires non homologués peut entraîner des problèmes de performance et des dysfonctionnements qui ne sont pas couverts par la garantie.
- La disponibilité de tous les accessoires peut être variable et dépend exclusivement de leurs fabricants. Pour en savoir plus sur les accessoires disponibles, reportez-vous au site Web Samsung.

Présentation de l'appareil



Touches et fonctions

Touche/Port	Fonction
Touche Mode/ Marche/Arrêt	<ul style="list-style-type: none"> Faites glisser cette touche vers la gauche pour activer le mode de réception et vers la droite pour activer le mode d'émission. Pour éteindre l'appareil, faites-la glisser vers OFF.
Touche d'appel/ Multifonction	<ul style="list-style-type: none"> En mode de réception, maintenez cette touche appuyée pendant 1 seconde pour lancer S Voice. En mode de réception, appuyez sur cette touche pour répondre ou mettre fin à un appel. En mode de réception, maintenez cette touche appuyée pour rejeter un appel. En mode de réception, maintenez cette touche appuyée pour transférer des appels de la Level Link vers un autre appareil, ou vice versa. En mode de réception, appuyez sur cette touche pour lire ou arrêter la lecture de fichiers multimédia. En mode de réception ou d'émission, maintenez cette touche appuyée pendant 3 secondes afin d'activer l'appairage Bluetooth.
Touche de volume	<ul style="list-style-type: none"> En mode de réception, appuyez sur cette touche pour ajuster le volume pendant un appel. En mode de réception, appuyez sur cette touche pour ajuster le volume pendant la lecture de fichiers multimédia.
Touche REW / Touche FF	<ul style="list-style-type: none"> En mode de réception, appuyez sur l'une de ces touches pour lire le fichier multimédia précédent ou suivant. En mode de réception, maintenez l'une de ces touches appuyée pour effectuer une avance ou un retour rapide dans un fichier multimédia.

Témoin lumineux

Statut	Couleur
Mode d'appairage Bluetooth	<ul style="list-style-type: none"> Clignotant rouge, vert et bleu
Marche ou activation	<ul style="list-style-type: none"> Clignotant bleu 3 fois
Arrêt	<ul style="list-style-type: none"> Clignotant rouge 3 fois
Appel entrant	<ul style="list-style-type: none"> Clignotant bleu

Charger la batterie

Chargez la batterie avant d'utiliser la Level Link pour la première fois ou lorsqu'elle est restée inutilisée pendant une période prolongée.

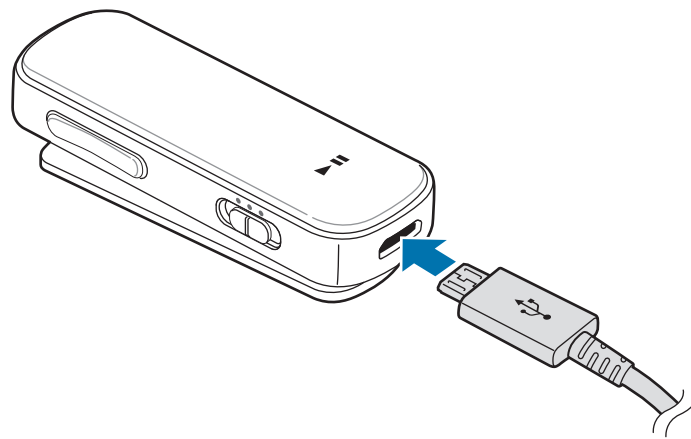


Utilisez uniquement des chargeurs, des batteries et des câbles homologués par Samsung. L'utilisation de chargeurs ou de câbles non homologués peut provoquer l'explosion de la batterie ou endommager le casque.



Si la batterie est complètement déchargée, le casque ne peut pas s'allumer immédiatement lorsque le chargeur est raccordé. Laissez charger une batterie déchargée pendant quelques minutes avant d'allumer le casque.

Connectez l'appareil à un ordinateur ou à l'adaptateur USB via le câble USB.



Un branchement incorrect du chargeur peut sérieusement endommager l'appareil. Les dégâts résultant d'une mauvaise utilisation ne sont pas couverts par la garantie.



- L'appareil peut être utilisé en cours de chargement, mais la charge complète de la batterie peut alors nécessiter plus de temps.
- L'appareil peut chauffer pendant la mise en charge. Ceci est normal et n'a pas d'incidence sur la durée de vie ou les performances de l'appareil. Si la température de la batterie est supérieure à la normale, le chargeur peut interrompre la mise en charge.
- Si l'appareil n'est pas chargé correctement, rendez-vous dans un Centre de service Samsung avec l'appareil et le chargeur.

Lorsque la batterie est complètement chargée, déconnectez l'appareil du chargeur. Pour ce faire, débranchez d'abord le chargeur de l'appareil, puis de la prise de courant.



- Pour économiser l'énergie, débranchez le chargeur lorsque vous ne l'utilisez pas. Le chargeur n'étant pas muni d'un interrupteur Marche/Arrêt, vous devez le débrancher de la prise de courant pour couper l'alimentation. L'appareil doit rester à proximité de la prise en cours de chargement.
- Le socle de prise de courant doit être installé à proximité du matériel et doit être aisément accessible.

Vérifier le niveau de batterie

Maintenez simultanément les touches de volume (+) et multifonction appuyées pendant 1 seconde. Le témoin lumineux clignote trois fois dans différentes couleurs selon le statut du chargement.

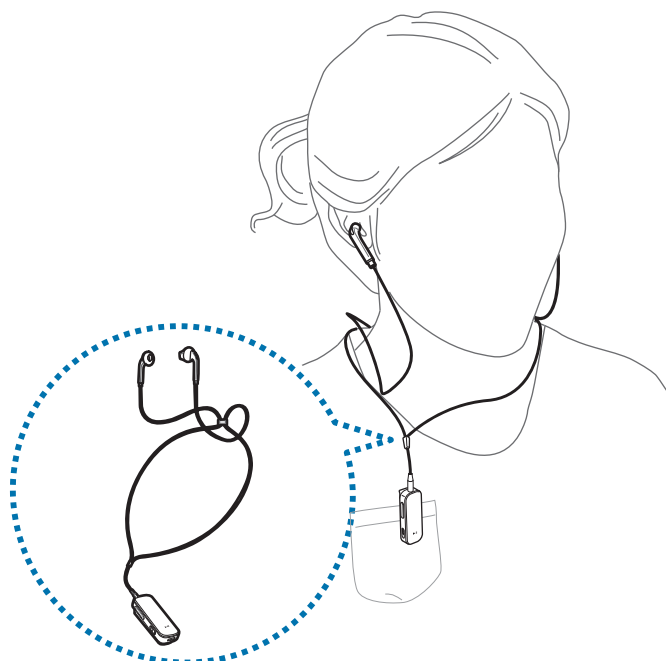
Statut	Couleur
Moins de 30%	• Rouge
Entre 30 et 60%	• Jaune
Plus de 60%	• Vert


Mettre l'appareil et les écouteurs en place

Connectez les écouteurs fournis sur la Level Link et placez-les autour de votre cou.


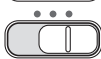
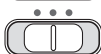
- 1 Branchez les écouteurs sur la prise audio de la Level Link.
- 2 Ajustez le clip des écouteurs pour former une boucle suffisamment large pour y passer votre tête.


- 3 Fixez la Level Link sur vos vêtements.
- 4 Placez les écouteurs autour de votre cou et mettez les oreillettes en place.



 Utilisez cet appareil avec prudence lorsqu'il est connecté à des écouteurs. Vous pourrez vous étrangler si les écouteurs s'enroulent autour de votre cou.

Allumer et éteindre l'appareil

-  : activer le mode de réception.
-  : activer le mode d'émission.
-  : éteindre l'appareil.

 Respectez l'ensemble des avertissements et instructions affichés par le personnel autorisé dans les zones où l'utilisation des appareils sans fil est limitée comme les avions et les hôpitaux.

Utiliser l'appareil

Bluetooth

À propos de la fonction Bluetooth

La fonction Bluetooth est une norme de technologie sans fil utilisant une fréquence 2,4 GHz pour connecter divers appareils sur de courtes distances. Elle permet de connecter et d'échanger des données avec d'autres appareils compatibles Bluetooth, comme des appareils mobiles, des ordinateurs, des imprimantes et d'autres appareils numériques, sans nécessiter de raccordement par câbles.

Remarques sur l'utilisation de la fonction Bluetooth

- Pour éviter les problèmes lors de la connexion de votre appareil à un autre appareil, placez les appareils à proximité les uns des autres.
- Assurez-vous que votre appareil et l'autre appareil Bluetooth se trouvent dans le rayon d'action Bluetooth (10 m). Cette distance peut varier selon l'environnement dans lequel les appareils sont utilisés.
- Veillez à ce qu'il n'y ait aucun obstacle entre votre appareil et l'appareil connecté (corps humains, murs, coins ou clôtures).
- Ne touchez pas à l'antenne Bluetooth de l'appareil connecté.
- La fonction Bluetooth utilise la même fréquence que certains produits industriels, scientifiques, médicaux et à basse puissance et, par conséquent, des interférences peuvent survenir à proximité de ces produits.
- Certains appareils, notamment ceux qui ne sont pas testés ou homologués par Bluetooth SIG peuvent être incompatibles avec les écouteurs.
- N'utilisez pas la fonction Bluetooth à des fins illégales (par exemple, piratage de copies de fichiers ou écoute illégale de communications à des fins commerciales).

Établir une connexion à d'autres appareils



La qualité sonore et la portée d'utilisation entre la Level Link et les appareils audio connectés peuvent varier en fonction des appareils audio compatibles Bluetooth.

Établir une connexion en mode de réception

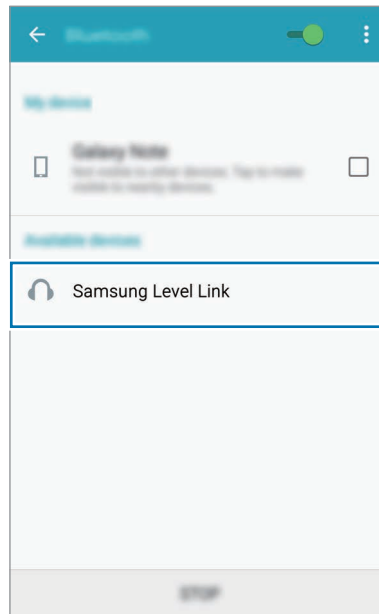
Vous pouvez recevoir des appels ou écouter de la musique lorsque votre Level Link est connectée à des appareils compatibles Bluetooth. Lorsque vous allumez votre Level Link pour la première fois, elle passe en mode appairage Bluetooth.



- Lorsque vous appairez la Level Link à d'autres appareils via Bluetooth pour la première fois, la Level Link se connecte automatiquement aux appareils appairés. Si la Level Link ne parvient pas à se connecter, elle passe en mode d'appairage Bluetooth.
- La Level Link peut stocker les informations de huit appareils. Si la Level Link a été connectée à plusieurs appareils, elle se connecte à l'appareil qui a été appairé le plus récemment.

- 1 Level Link** Faites glisser la touche de mode vers la gauche pour activer le mode de réception.
- 2 Level Link** Maintenez ensuite la touche Multifonction appuyée pendant environ 3 secondes afin d'activer l'appairage Bluetooth.
- 3 Autre appareil** Activez la fonction Bluetooth et recherchez les appareils Bluetooth.
Pour en savoir plus, reportez-vous au mode d'emploi de l'autre appareil.

4 **Autre appareil** Appuyez sur **Samsung Level Link** dans la liste.



5 **Level Link** Connectez les écouteurs à la Level Link.

Vous pouvez également connecter votre Level Link à la prise d'entrée auxiliaire d'un équipement audio à l'aide d'un câble audio.



Dans ce mode, si vous branchez votre appareil sur la prise de sortie audio d'un téléviseur ou d'un ordinateur à l'aide d'un câble audio, votre Level Link pourrait être endommagé.

Établir une connexion en mode d'émission

Connectez l'appareil à un lecteur multimédia à l'aide du câble audio. Vous pouvez écouter des fichiers multimédia à partir d'un autre appareil, comme un casque Bluetooth. Lorsque vous allumez votre Level Link pour la première fois, elle passe en mode appairage Bluetooth.



- Lorsque vous appairez la Level Link à d'autres appareils via Bluetooth pour la première fois, la Level Link se connecte automatiquement aux appareils appairés. Si la Level Link ne parvient pas à se connecter, elle passe en mode d'appairage Bluetooth.
- La Level Link peut stocker les informations de huit appareils. Si la Level Link a été connectée à plusieurs appareils, elle se connecte à l'appareil qui a été appairé le plus récemment.

- 1 Level Link** Faites glisser la touche de mode vers la droite pour activer le mode d'émission.
- 2 Level Link** Maintenez ensuite la touche Multifonction appuyée pendant environ 3 secondes afin d'activer l'appairage Bluetooth.
- 3 Level Link** Placez votre Level Link à 30 cm de l'appareil audio appairé.
Votre Level Link et l'appareil audio sont maintenant connectés via Bluetooth. Si la connexion échoue, éteignez l'appareil audio, puis rallumez-le. Répétez ensuite les étapes ci-dessus.
- 4** Branchez le câble audio sur la prise audio de votre Level Link. Branchez ensuite l'autre extrémité du câble audio à la prise de sortie audio du lecteur multimédia.



- La méthode de connexion via Bluetooth peut varier selon les appareils connectés. Pour plus d'informations, reportez-vous au mode d'emploi de l'appareil connecté.
- Lorsque vous branchez votre Level Link sur un téléviseur en mode d'envoi, des problèmes de synchronisation peuvent se produire. Il est conseillé de connecter votre Level Link à un téléviseur susceptible de prendre en charge le codec aptX à faible latence.
- Lorsque vous utilisez votre Level Link avec un lecteur multimédia, baissez le volume du lecteur avant de débrancher le câble audio pour éviter les sons forts et soudains.
- Des variations de volume ou des bruits parasites peuvent être audibles selon le volume du lecteur multimédia connecté. Pour éviter cela, ajustez correctement le son du lecteur multimédia.

Connecter des appareils supplémentaires

En mode de réception ou d'émission, votre Level Link peut se connecter avec deux appareils maximum via Bluetooth.

- 1 En mode de réception ou d'émission, connectez votre Level Link à un premier appareil.
- 2 Connectez la Level Link à un second appareil via Bluetooth à l'aide de la méthode de connexion utilisée pour le premier appareil.



- En mode de réception, si la Level Link n'apparaît pas dans la liste des appareils détectés, maintenez la touche Multifonction appuyée pendant environ 3 secondes pour passer en mode d'appairage Bluetooth.
- En mode d'envoi, la Level Link prend en charge le codec aptX à faible latence en cas de connexion à un seul appareil audio. Si deux appareils audio sont connectés simultanément à la Level Link, le codec aptX n'est pas pris en charge et il est possible que la sortie audio et vidéo ne soit pas synchronisée.
- En mode d'émission, la portée d'utilisation entre la Level Link et d'autres appareils peut être réduite.

Connecter et déconnecter des appareils

Reconnecter les appareils

Lorsque votre Level Link est déconnectée d'un appareil audio à cause de la distance séparant les deux appareils, rapprochez les appareils et appuyez sur la touche Multifonction pour les appairer de nouveau. À défaut, utilisez le Menu Bluetooth de l'appareil audio pour appairer les appareils.

Déconnecter les appareils

Pour déconnecter votre Level Link de l'appareil audio, éteignez votre appareil ou séparez les appareils. Si vous avez connecté les deux appareils à l'aide d'un câble audio, débranchez le câble des deux appareils.

Utiliser les modes de réception et d'émission

En mode de réception, vous pouvez lancer S Voice, répondre aux appels entrants ou lire des fichiers multimédia. Dans ce mode, utilisez la Level Link avec des écouteurs ou raccordez la Level Link à un appareil audio via un câble audio.

En mode d'émission, vous pouvez écouter le son d'un lecteur multimédia via l'appareil audio connecté.



- Les fonctions disponibles peuvent varier selon l'appareil auquel vous êtes connecté. Certaines fonctions peuvent ne pas être disponibles si la Level Link est connectée simultanément à deux appareils.
- Certaines fonctions sont disponibles uniquement lorsque la Level Link est connectée à un appareil via le profil mains libre (HFP).
- L'emplacement du microphone varie selon la façon dont vous portez la Level Link. La position de la Level Link peut avoir un impact sur la qualité du son pendant les appels.

Lancer S Voice

Appuyez sur la touche Multifonction pendant 1 seconde. Si l'appareil connecté prend en charge S Voice, vous pouvez utiliser l'application via la Level Link.

Répondre aux appels ou les rejeter

Répondre à un appel

Appuyez sur la touche Appel pour répondre aux appels arrivant sur l'appareil connecté.

Rejeter un appel

Maintenez la touche Appel appuyée pour rejeter les appels arrivant sur l'appareil connecté.

Utiliser d'options pendant un appel

Régler le volume

Pendant un appel, appuyez sur la touche de volume pour ajuster le volume.

Basculer la sortie audio

Maintenez la touche Appel appuyée pour transférer des appels depuis la Level Link vers l'appareil connecté. Cette fonction peut ne pas être disponible selon l'appareil connecté.

Mettre fin à un appel

Appuyez sur la touche Appel pour mettre fin à un appel.

Lire des fichiers multimédia

Lisez des fichiers multimédia en mode de réception ou d'émission. Les fonctions disponibles peuvent varier selon le mode utilisé.

Lire et arrêter la lecture d'un fichier multimédia

Appuyez sur la touche Multifonction pour lire le fichier multimédia le plus récent sur l'appareil connecté.

Appuyez sur la touche Multifonction pour mettre la lecture en pause. Pour reprendre la lecture, appuyez de nouveau sur la touche Multifonction.

Revenir au fichier multimédia précédent ou passer au fichier suivant

Appuyez sur la touche REW pour revenir au fichier précédent ou sur la touche FF pour passer au fichier suivant.

Effectuer une avance ou un retour rapide dans un fichier multimédia

Maintenez la touche REW ou FF appuyée pour effectuer une avance ou un retour rapide dans le fichier en cours de lecture.

Régler le volume

Appuyez sur la touche de volume pour régler le volume.



- Lorsque la Level Link est connectée à deux appareils, vous pouvez lire les fichiers multimédia de l'un ou l'autre appareil. Pour lire un fichier multimédia d'un autre appareil, commencez d'abord par mettre en pause la lecture de l'autre appareil.
- Lorsque vous lisez un fichier multimédia d'un appareil, vous pouvez toujours répondre aux appels de l'autre appareil.
- S'il existe des différences entre la puissance du câble audio et celle de l'appareil audio connecté en mode d'émission, le volume sonore de la Level Link peut varier.

Réinitialiser les données

Lorsque votre Level Link est connectée à un appareil via Bluetooth, les informations sur la Level Link, comme l'adresse Bluetooth et le type d'appareil, sont stockées sur l'appareil connecté. Pour supprimer les informations de connexion de la Level Link, maintenez la touche Multifonction appuyée pendant environ 3 secondes afin d'activer le mode d'appairage Bluetooth. Maintenez ensuite les touches REW, FF et Multifonction appuyées simultanément pendant 3 secondes.

Annexe

Dépannage

Avant de contacter un Centre de service Samsung, veuillez essayer d'appliquer les solutions suivantes. Il est possible qu'elles ne soient pas toutes applicables à votre appareil.

Votre appareil ne s'allume pas

Lorsque la batterie est complètement déchargée, votre appareil ne s'allume pas. Chargez la batterie complètement avant d'allumer l'appareil.

La batterie ne se charge pas correctement (pour les chargeurs homologués par Samsung)

- Assurez-vous que le chargeur est correctement raccordé.
- Rendez-vous dans un Centre de service Samsung et faites remplacer la batterie.

Un autre appareil Bluetooth ne parvient pas à localiser votre appareil.

- Assurez-vous que votre appareil est en mode d'appairage Bluetooth.
- Réinitialisez votre appareil et recherchez les appareils Bluetooth.
- Assurez-vous que votre appareil et l'autre appareil Bluetooth se trouvent dans la portée de connexion Bluetooth (10 m).

Si les conseils ci-dessus ne résolvent pas le problème, contactez un Centre de service Samsung.

Un autre appareil Bluetooth n'est pas localisé

- Assurez-vous que l'appareil auquel vous souhaitez vous connecter est compatible avec la fonction sans fil Bluetooth.
- Assurez-vous que votre appareil et l'autre appareil Bluetooth sont à la portée maximale Bluetooth (10 m).

La connexion Bluetooth est souvent déconnectée

- S'il existe des obstacles entre les appareils, la distance de fonctionnement peut être réduite.
- Assurez-vous que votre appareil et l'autre appareil Bluetooth sont à la portée maximale Bluetooth (10 m).
- Lorsque vous utilisez l'appareil avec d'autres appareils Bluetooth, la connexion peut être perturbée par des ondes électromagnétiques. Utilisez l'appareil dans des environnements dans lesquels moins d'appareils sans fil sont présents.

Vous n'entendez pas les autres parler

- Ajustez le volume de l'appareil.
- Réglez le volume sur l'appareil connecté lorsque vous ne pouvez pas entendre des sons à plein volume sur votre appareil.

Un écho résonne pendant un appel

Ajustez le volume en appuyant sur la touche Volume ou changez d'endroit.

Vos correspondants ne peuvent vous entendre lors d'un appel

- Assurez-vous que vous ne masquez pas le microphone intégré.
- Assurez-vous que microphone se trouve près de votre bouche.

La qualité du son est médiocre

- Les services réseau sans fil peuvent être désactivés en raison de problèmes avec le réseau du fournisseur de services. Veillez à tenir l'appareil éloigné des ondes électromagnétiques.
- Assurez-vous que votre appareil et l'autre appareil Bluetooth sont à la portée maximale Bluetooth (10 m).

L'appareil ne fonctionne pas conformément au mode d'emploi

- Les fonctions disponibles peuvent varier selon l'appareil connecté.
- Certaines fonctions ne peuvent pas être utilisées lorsque deux appareils sont connectés à l'appareil simultanément.

La batterie se décharge rapidement après son achat

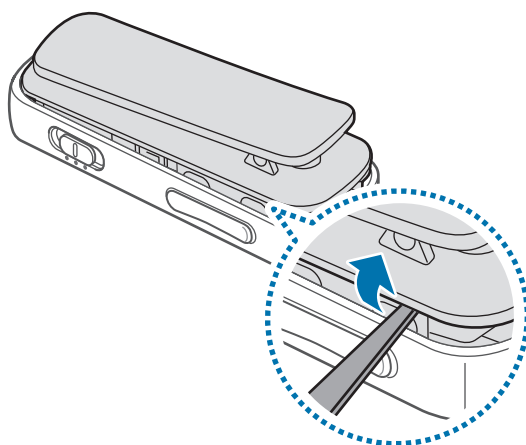
- Lorsque vous exposez l'appareil ou la batterie à des températures très basses ou très élevées, la charge utile peut être réduite.
- La batterie est un consommable et sa charge utile diminue au fil du temps.

Extraire la batterie (type non amovible)



- Ces instructions s'adressent uniquement à votre revendeur ou réparateur agréé.
- Les dommages ou pannes provoqués par le retrait non autorisé de la batterie ne sont pas couverts par la garantie.
- Pour retirer ou remplacer la batterie, contactez votre revendeur ou réparateur agréé.

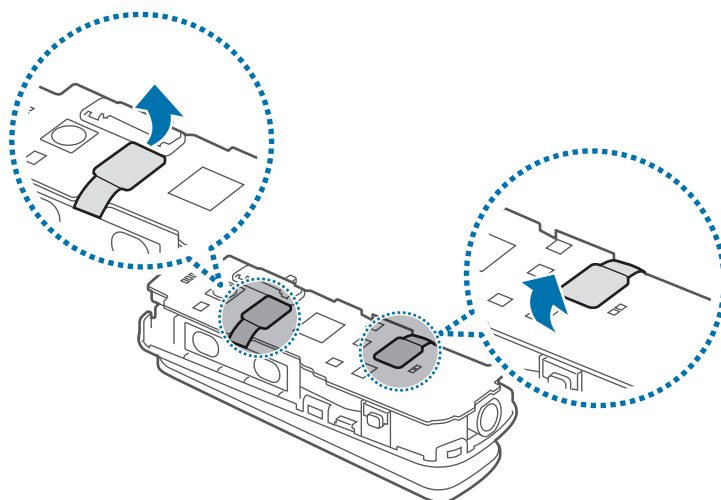
- 1 Insérez un outil fin et plat dans l'interstice situé entre le couvercle et le corps de l'appareil. Utilisez ensuite l'outil pour les écarter, comme illustré ci-dessous.



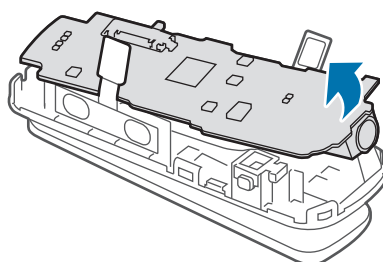
- Prenez garde à ne pas endommager les composants internes de l'appareil lorsque vous insérez l'outil.

- 2 Lorsque le couvercle est détaché, mettez-le de côté.

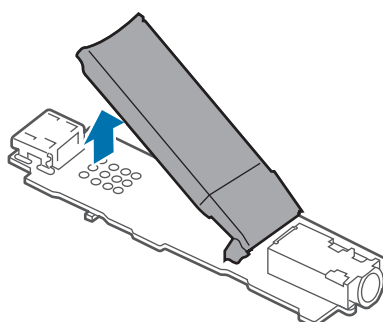
3 Déconnectez les connecteurs de la batterie.



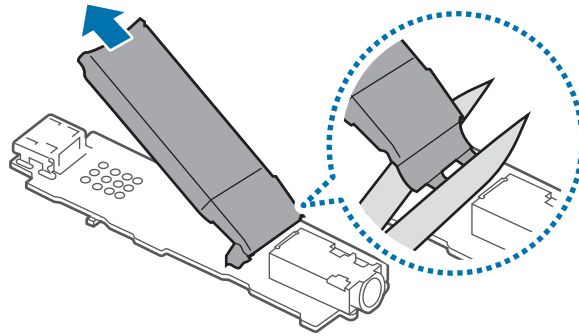
4 Retirez le circuit imprimé en le détachant du corps de l'appareil et placez-le sur une surface plane, face vers le bas.



5 Appuyez sur le connecteur de charge et tirez la batterie vers le haut pour la détacher du circuit imprimé.



- 6 Tirez sur la batterie pour l'extraire du circuit imprimé et coupez les connexions aux endroits indiqués ci-dessous.



- 7 Retirez la batterie.

Déclaration de conformité

Informations détaillées

Pour le produit suivant

Produit : Clé électronique Bluetooth

Modèle(s) : EO-RG920



Déclaration et normes applicables

Nous déclarons par la présente que le produit ci-dessus est conforme aux exigences essentielles de la directive R&TTE (1999/5/CE) en application des normes suivantes :

Sécurité	EN 60950-1 : 2006 + A11 : 2009 + A1 : 2010 + A12 : 2011
DAS	EN 50566 : 2013 EN 62479 : 2010
CEM	EN 301 489-01 V1.9.2 (2011-09) EN 301 489-17 V2.2.1 (2012-09)
Radio	EN 300 328 V1.8.1 (2012-06)

et de la directive (2011/65/UE) sur la restriction d'utilisation de certaines substances dangereuses dans un équipement électrique et électronique par l'application de la norme EN 50581:2012.

Représentant pour l'union européenne

Samsung Electronics Euro QA Lab.
Blackbushe Business Park
Saxony Way, Yateley, Hampshire
GU46 6GG, UK



2015.01.27

Stephen Colclough / Représentant de l'UE

(lieu et date de parution)

(nom et signature du responsable dûment habilité)

* Il ne s'agit pas de l'adresse du service après-vente de Samsung. Pour obtenir l'adresse ou le numéro de téléphone du service après-vente de Samsung, reportez-vous au certificat de garantie ou contactez le revendeur auprès duquel vous avez acheté ce produit.

Droits d'auteur

Copyright © 2015 Samsung Electronics

Ce mode d'emploi est protégé par les lois internationales sur les droits d'auteur.

Il est interdit de reproduire, distribuer, traduire ou transmettre sous quelque forme et par quelque moyen que ce soit, électronique ou mécanique, notamment par photocopie, enregistrement ou stockage dans un système de stockage et de recherche documentaire, tout ou partie de ce document, sans le consentement préalable écrit de Samsung Electronics.

Marques

- SAMSUNG et le logo SAMSUNG sont des marques déposées de Samsung Electronics.
- Bluetooth® est une marque déposée de Bluetooth SIG, Inc.
- Toutes les autres marques et droits d'auteur demeurent la propriété de leurs propriétaires respectifs.

Vor Inbetriebnahme lesen

Lesen Sie dieses Handbuch vor der Verwendung des Geräts aufmerksam durch, um seine sichere und sachgemäße Verwendung zu gewährleisten.

- Die Beschreibungen basieren auf den Standardeinstellungen des Geräts.
- Bilder können vom Aussehen des tatsächlichen Produkts abweichen. Die Inhalte können ohne vorherige Ankündigung geändert werden.

Hinweissymbole



Warnung: Situationen, die zu Verletzungen führen könnten



Vorsicht: Situationen, die zu Schäden an Ihrem oder anderen Geräten führen könnten



Hinweise: Hinweise, Verwendungstipps oder zusätzliche Informationen

Erste Schritte

Info zu Level Link

Das Level Link kann im Sender- und Empfängermodus verwendet werden. Im Empfängermodus können Sie Kopfhörer am Level Link anschließen und das Gerät so als Bluetooth-Headset für Geräte mit Bluetooth-Unterstützung verwenden, z. B. Smartphones oder Tablets. Im Sendermodus kann das Gerät als Dongle für Computer, TVs, Bluetooth-Headsets usw. verwendet werden.

Im Empfängermodus sind folgende Funktionen verfügbar:

- S Voice starten
- Anrufe entgegennehmen oder beenden
- Multimediadateien steuern

Im Sendermodus können Sie Musik und Klänge vom angeschlossenen Multimediagerät wiedergeben.

Lieferumfang

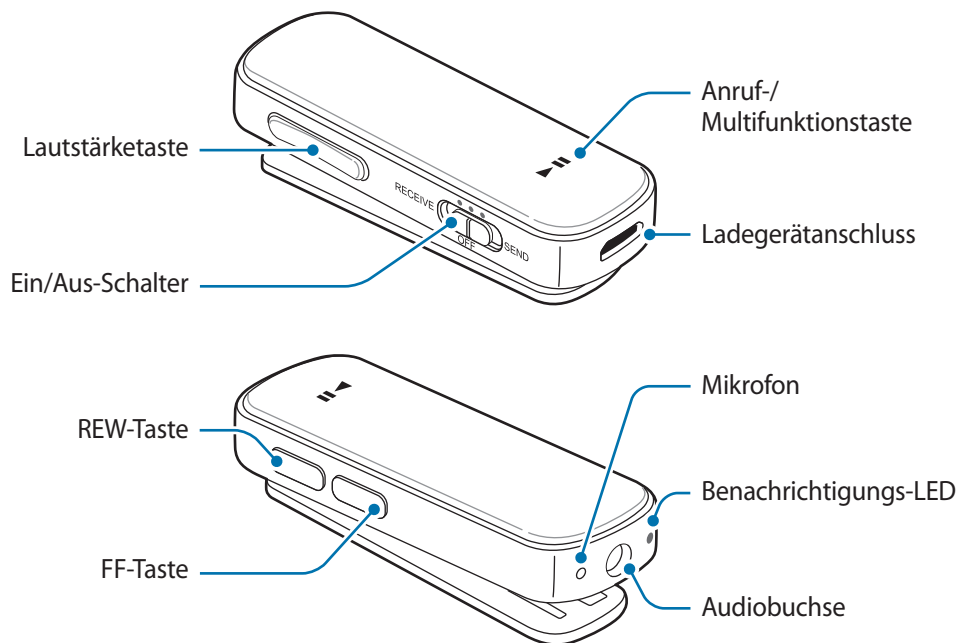
Vergewissern Sie sich, dass der Produktkarton die folgenden Artikel enthält:

- Gerät
- Kopfhörer
- USB-Kabel
- Audiokabel
- Kurzanleitung



- Die mit dem Gerät und anderen verfügbaren Zubehörteilen bereitgestellten Artikel können je nach Region oder Dienstanbieter variieren.
- Die mitgelieferten Artikel sind nur für die Verwendung mit diesem Gerät vorgesehen und sind möglicherweise nicht mit anderen Geräten kompatibel.
- Design und technische Daten können ohne vorherige Ankündigung geändert werden.
- Weitere Zubehörteile können Sie bei Ihrem örtlichen Samsung-Händler erwerben. Stellen Sie vor dem Kauf sicher, dass sie mit dem Gerät kompatibel sind.
- Verwenden Sie ausschließlich von Samsung zugelassene Zubehörteile. Bei Verwendung nicht zugelassener Zubehörteile können Leistungsbeeinträchtigungen und Fehler auftreten, die nicht von der Garantie gedeckt sind.
- Die Verfügbarkeit der Zubehörteile ist vollständig von den entsprechenden Herstellern abhängig. Weitere Informationen zu verfügbarem Zubehör finden Sie auf der Website von Samsung.

Geräteaufbau



Tasten und Funktionen

Bezeichnung	Funktion
Ein/Aus-Schalter	<ul style="list-style-type: none"> • Schieben Sie den Schalter nach links, um den Empfängermodus zu aktivieren, und nach rechts, um den Sendemodus zu aktivieren. • Schieben Sie den Schalter in die Stellung OFF, um das Gerät auszuschalten.
Anruf-/ Multifunktionstaste	<ul style="list-style-type: none"> • Halten Sie die Taste im Empfängermodus 1 Sekunde lang gedrückt, um S Voice zu starten. • Im Empfängermodus nehmen Sie durch Betätigen der Taste Anrufe entgegen oder beenden sie. • Halten Sie die Taste im Empfängermodus gedrückt, um einen Anruf abzuweisen. • Halten Sie die Taste im Empfängermodus gedrückt, um Anrufe vom Level Link auf ein anderes Gerät (bzw. umgekehrt) umzuleiten. • Im Empfängermodus geben Sie durch Betätigen der Taste Multimediateien wieder oder halten die Wiedergabe an. • Halten Sie die Taste im Empfänger- oder Sendermodus 3 Sekunden lang gedrückt, um in den Bluetooth-Kopplungsmodus zu wechseln.
Lautstärketaste	<ul style="list-style-type: none"> • Im Empfängermodus können Sie während eines Anrufs mit der Taste die Lautstärke anpassen. • Im Empfängermodus können Sie während der Wiedergabe von Multimediateien mit der Taste die Lautstärke anpassen.
REW-Taste/FF- Tasten	<ul style="list-style-type: none"> • Im Empfängermodus wechseln Sie mit der Taste während der Wiedergabe zur vorherigen oder nächsten Multimediatei. • Halten Sie die Taste im Empfängermodus gedrückt, um während der Wiedergabe von Multimediateien die Funktionen für schnellen Vor- bzw. Rücklauf zu verwenden.

Statusanzeige

Status	Farbe
Bluetooth-Kopplungsmodus	<ul style="list-style-type: none"> • Blinkt rot, grün und blau
Einschalten oder Modi aktivieren	<ul style="list-style-type: none"> • Blinkt blau (3-mal)
Ausschalten	<ul style="list-style-type: none"> • Blinkt rot (3-mal)
Eingehender Anruf	<ul style="list-style-type: none"> • Blinkt blau

Akku aufladen

Wenn Sie das Level Link zum ersten Mal verwenden oder längere Zeit nicht verwendet haben, laden Sie das Gerät vor der Verwendung auf.

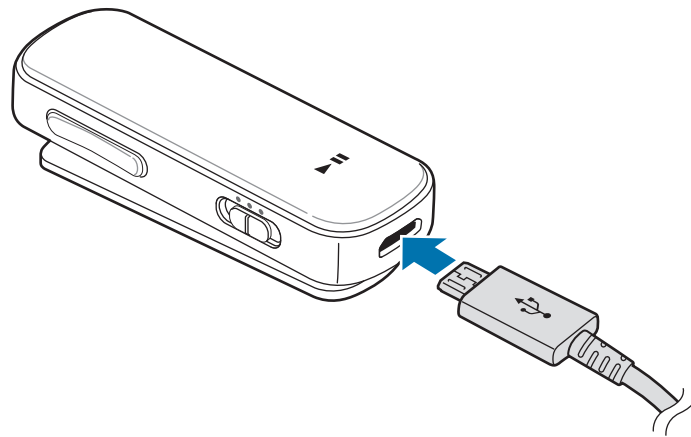


Verwenden Sie nur von Samsung zugelassene Ladegeräte, Akkus und Kabel. Nicht zugelassene Ladegeräte oder Kabel können zu einer Explosion des Akkus oder zu Schäden am Headset führen.



Ist der Akku vollständig entladen, kann das Headset nicht sofort nach dem Anschließen des Ladegeräts verwendet werden. Laden Sie in diesem Fall den Akku mindestens einige Minuten lang auf, bevor Sie das Headset einschalten.

Schließen Sie das Gerät mit dem USB-Kabel an einen Computer oder ein USB-Netzteil an.



Ein falsches Anschließen des Ladegeräts kann zu schweren Schäden am Gerät führen. Schäden durch unsachgemäße Verwendung werden nicht von der Garantie abgedeckt.



- Das Gerät kann während des Ladevorgangs verwendet werden, allerdings verlängert sich hierdurch möglicherweise die Ladedauer.
- Während des Ladevorgangs erwärmt sich das Gerät ggf. Dies ist normal und wirkt sich nicht auf die Lebensdauer oder die Leistung des Geräts aus. Steigt die Temperatur des Akkus ungewöhnlich an, wird der Ladevorgang angehalten.
- Kann das Gerät nicht ordnungsgemäß geladen werden, bringen Sie Gerät und Ladegerät zu einem Samsung Servicezentrum.

Trennen Sie das Ladegerät vom Gerät, wenn der Akku vollständig geladen ist. Ziehen Sie zuerst das Ladegerät vom Gerät ab und trennen Sie anschließend die Verbindung zwischen Ladegerät und Stromanschluss.



Stecken Sie das Ladegerät aus, wenn es nicht verwendet wird, um Energie zu sparen. Das Ladegerät verfügt über keinen Ein/Ausschalter. Sie müssen also das Ladegerät vom Stromanschluss trennen, wenn es nicht verwendet wird, um zu verhindern, dass Energie verschwendet wird. Das Ladegerät sollte sich während des Aufladens in der Nähe des Stromanschlusses befinden und leicht zugänglich sein.

Prüfen des Akkustands

Drücken Sie eine Sekunde lang gleichzeitig die Lauter- und die Multifunktionstaste. Die Benachrichtigungs-LED blinkt dem Ladestatus entsprechend dreimal in unterschiedlichen Farben.

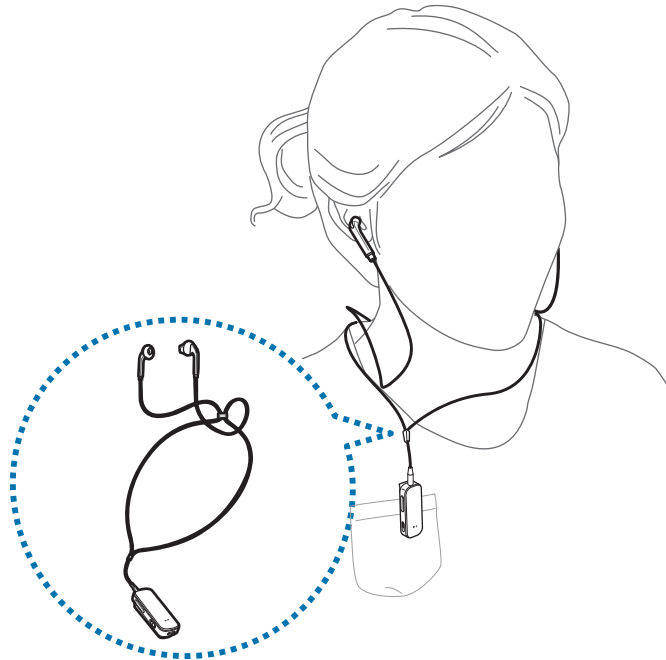
Status	Farbe
Unter 30%	• Rot
30–60%	• Gelb
Über 60%	• Grün

Gerät und Kopfhörer tragen

Schließen Sie die im Lieferumfang enthaltenen Kopfhörer am Level Link an und tragen Sie sie um den Hals.




- 1 Schließen Sie die Kopfhörer an der Audiobuchse des Level Link an.
- 2 Passen Sie Kopfhörerclip und Schlaufe der Größe Ihres Kopfes entsprechend an.

- 3 Befestigen Sie das Level Link mit dem Clip an Ihrer Kleidung.
- 4 Tragen Sie die Kopfhörer um den Hals und setzen Sie die Ohrhörer ein.



Seien Sie vorsichtig, wenn Sie dieses Gerät mit Kabel-Ohrhörern nutzen. Es besteht die Gefahr von Strangulation, wenn sich die Ohrhörer um Ihren Hals wickeln.

Gerät ein- und ausschalten

-  : Empfangsmodus aktivieren.
-  : Sendemodus aktivieren.
-  : Gerät ausschalten.



Beachten Sie in Bereichen, in denen Drahtlosgeräte nur eingeschränkt verwendet werden dürfen, z. B. an Flughäfen oder in Krankenhäusern, die entsprechenden Warnhinweise und Anweisungen (ggf. vom zuständigen Personal).

Gerät verwenden

Bluetooth

Über Bluetooth

Bluetooth ist ein Funktechnologie-Standard, der über eine 2,4-GHz-Frequenz verschiedene Geräte über kurze Entfernungen miteinander verbindet. Mit Bluetooth können Sie ohne Kabel Verbindungen zwischen Bluetooth-fähigen Geräten wie Mobilgeräten, Computern, Druckern und anderen digitalen Heimgeräten herstellen. Zudem ermöglicht Bluetooth das Austauschen von Daten.

Hinweise zur Verwendung von Bluetooth

- Platzieren Sie die Geräte nahe beieinander, um Probleme bei der Verbindungsherstellung zwischen den Geräten zu vermeiden.
- Stellen Sie sicher, dass sich beide Bluetooth-Geräte innerhalb der Bluetooth-Verbindungsreichweite (10 m) befinden. Die Reichweite kann je nach Umgebung, in der die Geräte verwendet werden, variieren.
- Zwischen dem Headset und dem verbundenen Gerät dürfen sich keine Hindernisse wie Personen, Wände, Hausecken oder Zäune befinden.
- Die Bluetooth-Antenne des verbundenen Geräts darf nicht berührt werden.
- Bluetooth verwendet dieselbe Frequenz wie einige Produkte mit geringer Sendeleistung in der Industrie, Wissenschaft und Medizin, weshalb Interferenzen entstehen können, wenn in der Nähe derartiger Produkte eine Bluetooth-Verbindung hergestellt wird.
- Einige Geräte, insbesondere solche, die nicht von Bluetooth SIG getestet oder zugelassen wurden, sind möglicherweise nicht mit dem Headset kompatibel.
- Verwenden Sie die Bluetooth-Funktion nicht zu illegalen Zwecken (z. B. zum Nutzen von Raubkopien oder zum illegalen Aufzeichnen von Gesprächen zu gewerblichen Zwecken).

Verbindung mit anderen Geräten herstellen



Tonqualität und mögliche Entfernung zwischen dem Level Link-Gerät und den verbundenen Audiogeräten variieren, je nachdem, welche Art von Bluetooth-fähigen Audiogeräten Sie verwenden.

Im Empfangsmodus verbinden

Sie können eingehende Anrufe empfangen oder Musik anhören, wenn das Level Link-Gerät mit Geräten verbunden ist, die Bluetooth unterstützen. Wenn Sie das Level Link-Gerät zum ersten Mal einschalten, wird es in den Bluetooth-Kopplungsmodus versetzt.



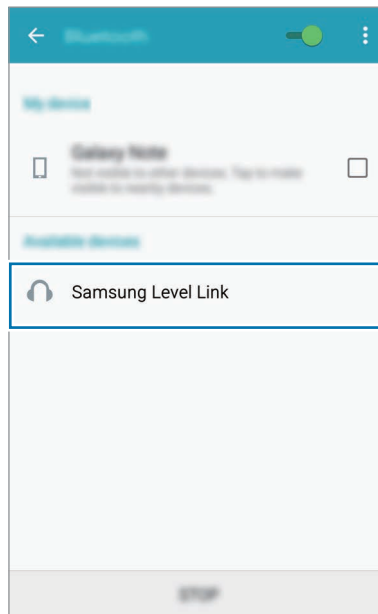
- Wenn Sie das Level Link-Gerät erstmals über Bluetooth mit anderen Geräten koppeln, stellt das Level Link-Gerät automatisch eine Verbindung mit den gekoppelten Geräten her. Falls das Level Link-Gerät keine Verbindung herstellen kann, wechselt es in den Bluetooth-Kopplungsmodus.
- Das Level Link-Gerät kann Geräteinformationen für bis zu acht Geräte speichern. Falls das Level Link-Gerät mit mehr als einem Gerät verbunden wurde, stellt es die Verbindung zum zuletzt gekoppelten Gerät her.

1 Level Link Schieben Sie den Modusschalter nach links, um den Empfangsmodus zu aktivieren.

2 Level Link Halten Sie dann die Multifunktionstaste ca. 3 Sekunden lang gedrückt, um in den Bluetooth-Kopplungsmodus zu wechseln.

3 Anderes Gerät Aktivieren Sie die Bluetooth-Funktion und suchen Sie nach Bluetooth-Geräten. Weitere Informationen finden Sie im Benutzerhandbuch des anderen Geräts.

4 **Anderes Gerät** Tippen Sie in der Liste **Samsung Level Link** an.



5 **Level Link** Schließen Sie die Kopfhörer am Level Link-Gerät an.

Sie können das Level Link-Gerät auch über ein Audiokabel an einen zusätzlichen Anschluss eines Audioausgabegeräts anschließen.



Wenn Sie das Level Link-Gerät in diesem Modus über ein Audiokabel an die Audioausgangsbuchse eines TVs oder Computers anschließen, kann Ihr Level Link-Gerät beschädigt werden.

Im Sendemodus verbinden

Stellen Sie über das Audiokabel eine Verbindung zwischen Ihrem Gerät und einem Multimedia-Player her. Sie können über ein anderes Audiogerät, wie ein Bluetooth-Headset, Multimedia-Dateien anhören. Wenn Sie das Level Link-Gerät zum ersten Mal einschalten, wird es in den Bluetooth-Kopplungsmodus versetzt.



- Wenn Sie das Level Link-Gerät erstmals über Bluetooth mit anderen Geräten koppeln, stellt das Level Link-Gerät automatisch eine Verbindung mit den gekoppelten Geräten her. Falls das Level Link-Gerät keine Verbindung herstellen kann, wechselt es in den Bluetooth-Kopplungsmodus.
- Das Level Link-Gerät kann Geräteinformationen für bis zu acht Geräte speichern. Falls das Level Link-Gerät mit mehr als einem Gerät verbunden wurde, stellt es die Verbindung zum zuletzt gekoppelten Gerät her.

- 1 Level Link** Schieben Sie den Modusschalter nach rechts, um den Sendemodus zu aktivieren.
- 2 Level Link** Halten Sie dann die Multifunktionstaste ca. 3 Sekunden lang gedrückt, um in den Bluetooth-Kopplungsmodus zu wechseln.
- 3 Level Link** Platzieren Sie das Level Link-Gerät höchstens 30 cm entfernt vom gekoppelten Audiogerät.

Das Level Link und das Audiogerät sind nun über Bluetooth miteinander verbunden. Falls die Verbindungsherstellung fehlschlägt, schalten Sie das Audiogerät aus und wieder ein. Führen Sie die oben genannten Schritte dann erneut aus.

- 4** Stecken Sie das Audiokabel in die Audiobuchse am Level Link-Gerät. Stecken Sie dann das andere Ende des Audiokabels in die Audioausgangsbuchse des Multimedia-Players.



- Die Schritte zum Herstellen einer Bluetooth-Verbindung variieren möglicherweise je nach verbundenem Gerät. Weitere Informationen finden Sie im Benutzerhandbuch des Zielgeräts.
- Wenn das Level Link im Sendemodus mit einem TV-Gerät verbunden wird, können Synchronisierungsprobleme auftreten. Wir empfehlen, das Level Link mit einem TV-Gerät zu verbinden, das den aptX Low Latency Codec unterstützt.
- Wenn Sie das Level Link-Gerät mit einem Multimedia-Player verwenden, drehen Sie die Lautstärke des Multimedia-Players herunter, bevor Sie das Audiokabel einstecken, um eine plötzliche, laute Tonwiedergabe zu vermeiden.
- Möglicherweise hören Sie je nach der am verbundenen Multimedia-Player eingestellten Lautstärke starke Lautstärke- oder Geräuschunterschiede. Um dies zu verhindern, passen Sie die Lautstärke des Multimedia-Players entsprechend an.

Verbindung mit weiteren Geräten herstellen

Im Empfangs- oder Sendemodus kann das Level Link-Gerät eine Bluetooth-Verbindung mit bis zu zwei Geräten herstellen.

- 1 Verbinden Sie das Level Link-Gerät im Empfangs- oder Sendemodus mit dem ersten Gerät.
- 2 Stellen Sie dann mit derselben Verbindungsmethode wie beim ersten Gerät über Bluetooth eine Verbindung zwischen dem Level Link-Gerät und dem zweiten Gerät her.



- Sollte das Level Link-Gerät nicht in der Liste der erkannten Geräte erscheinen, halten Sie die Multifunktionstaste im Empfangsmodus ca. 3 Sekunden lang gedrückt, um in den Bluetooth-Kopplungsmodus zu wechseln.
- Im Sendemodus unterstützt das Level Link-Gerät das aptX Low Latency-Codec, wenn es mit einem Audiogerät verbunden ist. Falls gleichzeitig zwei Audiogeräte mit dem Level Link-Gerät verbunden sind, wird der aptX-Codec nicht unterstützt und die Video- und Audioausgabe wird möglicherweise nicht synchronisiert.
- Im Sendemodus ist die mögliche Entfernung zwischen dem Level Link-Gerät und anderen Geräten eventuell eingeschränkt.

Verbindung zu anderen Geräten erneut herstellen oder trennen

Verbindung erneut herstellen

Wenn Ihr Level Link aufgrund der Entfernung zum anderen Gerät von diesem getrennt wird, verringern Sie den Abstand zwischen den Geräten und drücken Sie die Multifunktionstaste, um sie erneut zu koppeln. Sie können die Geräte auch über das Bluetooth-Menü des Audiogeräts miteinander koppeln.

Verbindung trennen

Um den Level Link von dem Audiogerät zu trennen, schalten Sie Ihr Gerät aus oder entkoppeln Sie die Geräte. Wenn Sie die beiden Geräte über ein Audiokabel miteinander verbunden haben, ziehen Sie das Kabel aus beiden Geräten.

Empfangs- und Sendemodus verwenden

Im Empfangsmodus können Sie S Voice starten, eingehende Anrufe beantworten oder Multimedia-Dateien wiedergeben. Verwenden Sie das Level Link-Gerät in diesem Modus mit Kopfhörern oder verbinden Sie das Level Link-Gerät über ein Audiokabel mit einem Audiogerät.

Im Sendemodus können Sie über das angeschlossene Audiogerät Audiodateien vom Multimedia-Player hören.



- Die verfügbaren Funktionen variieren je nach verbundenem Gerät. Einige Funktionen sind möglicherweise nicht verfügbar, falls das Level Link-Gerät mit zwei Geräten gleichzeitig verbunden ist.
- Einige Funktionen sind nur verfügbar, wenn das Level Link-Gerät über das HFP (Hands Free Profile) mit einem Gerät verbunden ist.
- Die Position des Mikrofons hängt davon ab, wie Sie das Level Link-Gerät tragen. Die Position des Level Link-Geräts beeinträchtigt möglicherweise die Tonqualität der Anrufe.

S Voice starten

Halten Sie die Multifunktionstaste 1 Sekunde lang gedrückt. Falls das verbundene Gerät S Voice unterstützt, können Sie die Anwendung über das Level Link-Gerät verwenden.

Anrufe annehmen und abweisen

Anruf annehmen

Drücken Sie die Anruftaste, um Anrufe anzunehmen, die auf dem verbundenen Gerät eingehen.

Anruf abweisen

Halten Sie die Anruftaste gedrückt, um Anrufe abzuweisen, die auf dem verbundenen Gerät eingehen.

Während eines Anrufs Optionen verwenden

Lautstärke einstellen

Drücken Sie während eines Anrufs die Lautstärketaste, um die Lautstärke anzupassen.

Tonausgabe wechseln

Halten Sie die Anruftaste gedrückt, um Anrufe vom Level Link-Gerät auf das verbundene Gerät zu übertragen. Diese Funktion ist je nach verbundenem Gerät nicht verfügbar.

Anruf beenden

Drücken Sie die Anruftaste, um einen Anruf zu beenden.

Multimediadateien wiedergeben

Geben Sie Multimediadateien im Empfangs- oder Sendemodus wieder. Die verfügbaren Funktionen variieren je nach verwendetem Modus.

Multimediadatei wiedergeben oder Wiedergabe beenden

Drücken Sie die Multifunktionstaste, um die zuletzt abgespielte Multimediadatei auf dem verbundenen Gerät wiederzugeben.

Drücken Sie die Multifunktionstaste, um die Wiedergabe anzuhalten. Drücken Sie die Multifunktionstaste erneut, um die Wiedergabe fortzusetzen.

Zur vorherigen oder nächsten Multimedia-Datei wechseln

Drücken Sie die REW- oder FF-Taste, um während der Wiedergabe zur vorherigen oder nächsten Datei zu gelangen.

In der Multimediadatei zurück- oder vorspulen

Halten Sie die REW- oder FF-Taste gedrückt, um während der Wiedergabe zurück- oder vorzuspulen.

Lautstärke einstellen

Drücken Sie die Lautstärketaste, um die Lautstärke anzupassen.



- Wenn das Level Link-Gerät mit zwei Geräten verbunden ist, können Sie Multimediadateien von beiden Geräten wiedergeben. Um eine Multimediadatei von einem anderen Gerät abzuspielen, halten Sie zuerst die Wiedergabe des ersten Geräts an.
- Wenn Sie eine Multimediadatei von einem Gerät wiedergeben, können Sie weiterhin Anrufe vom anderen Gerät annehmen.
- Falls es im Sendemodus Unterschiede in der Ausgangsleistung des Audiokabels und des angeschlossenen Audiogeräts gibt, variiert möglicherweise die Lautstärke auf dem Level Link-Gerät.

Gerät auf die Werkseinstellungen zurücksetzen

Wenn das Level Link-Gerät über Bluetooth mit einem Gerät verbunden ist, werden Informationen wie Bluetooth-Adresse und Gerätetyp des Level Link-Geräts auf dem verbundenen Gerät gespeichert. Halten Sie zum Löschen der Level Link-Verbindungsinformationen die Multifunktionstaste ca. 3 Sekunden lang gedrückt, um in den Bluetooth-Kopplungsmodus zu wechseln. Halten Sie dann gleichzeitig die REW-, FF- und Multifunktionstaste 3 Sekunden lang gedrückt.

Anhang

Fehlerbehebung

Bevor Sie sich an ein Samsung Servicezentrum wenden, versuchen Sie folgende Lösungen. Unter Umständen sind nicht alle beschriebenen Situationen für Ihr Gerät relevant.

Das Gerät lässt sich nicht einschalten

Ist der Akku vollständig entladen, lässt sich das Gerät nicht einschalten. Laden Sie den Akku vollständig auf, bevor Sie das Gerät einschalten.

Der Akku lässt sich nicht ordnungsgemäß laden (mit von Samsung zugelassenen Ladegeräten)

- Prüfen Sie, ob das Ladegerät ordnungsgemäß angeschlossen ist.
- Wenden Sie sich an ein Samsung Servicezentrum und lassen Sie den Akku austauschen.

Das Gerät wird nicht von anderen Bluetooth-Geräten erkannt

- Vergewissern Sie sich, dass sich das Gerät im Bluetooth-Kopplungsmodus befindet.
- Setzen Sie das Gerät zurück und starten Sie die Suche nach Bluetooth-Geräten.
- Stellen Sie sicher, dass sich beide Bluetooth-Geräte innerhalb der Bluetooth-Verbindungsreichweite (10 m) befinden.

Kann das Problem anhand der beschriebenen Tipps nicht behoben werden, wenden Sie sich an ein Samsung Servicezentrum.

Andere Bluetooth-Geräte werden nicht erkannt

- Das Gerät, mit dem Sie eine Verbindung herstellen möchten, muss die drahtlose Bluetooth-Funktion unterstützen.
- Stellen Sie sicher, dass sich beide Bluetooth-Geräte innerhalb der maximalen Bluetooth-Reichweite (10 m) befinden.

Die Bluetooth-Verbindung wird häufig unterbrochen

- Wenn sich Hindernisse zwischen den Geräten befinden, kann sich die Reichweite reduzieren.
- Stellen Sie sicher, dass sich beide Bluetooth-Geräte innerhalb der maximalen Bluetooth-Reichweite (10 m) befinden.
- Bei Verwendung des Geräts mit anderen Bluetooth-Geräten kann die Verbindung durch elektromagnetische Wellen beeinträchtigt werden. Verwenden Sie das Gerät in einer Umgebung mit weniger Drahtlosgeräten.

Sie können andere Personen nicht hören

- Passen Sie die Lautstärke des Geräts an.
- Wenn der Ton auf Ihrem Gerät auch bei voller Lautstärke zu leise wiedergegeben wird, passen Sie die Lautstärke auf dem verbundenen Gerät an.

Während eines Anrufs ist ein Echo vernehmbar

Passen Sie die Lautstärke anhand der Lautstärketaste an oder begeben Sie sich in eine andere Umgebung.

Ihr Gesprächspartner kann Sie während des Anrufs nicht hören

- Vergewissern Sie sich, dass das integrierte Mikrofon nicht verdeckt ist.
- Vergewissern Sie sich, dass sich das Mikrofon nahe am Mund befindet.

Die Audioqualität ist schlecht

- Die Drahtlosnetzwerkdienste können durch Probleme im Netzwerk des Diensteanbieters beeinträchtigt werden. Halten Sie das Gerät fern von elektromagnetischen Wellen.
- Stellen Sie sicher, dass sich beide Bluetooth-Geräte innerhalb der maximalen Bluetooth-Reichweite (10 m) befinden.

Das Gerät funktioniert nicht der Beschreibung in der Anleitung entsprechend

- Die verfügbaren Funktionen können je nach angeschlossenenem Gerät variieren.
- Einige Funktionen sind nicht verfügbar, wenn zwei Geräte gleichzeitig am Gerät angeschlossen sind.

Der Akku entlädt sich schneller als dies kurz nach dem Kauf des Geräts der Fall war

- Wenn Sie das Gerät oder den Akku sehr niedrigen oder hohen Temperaturen aussetzen, kann sich dies auf die verfügbare Akkuleistung auswirken.
- Beim Akku handelt es sich um ein Verbrauchsgut und die verfügbare Leistung nimmt im Laufe der Zeit ab.

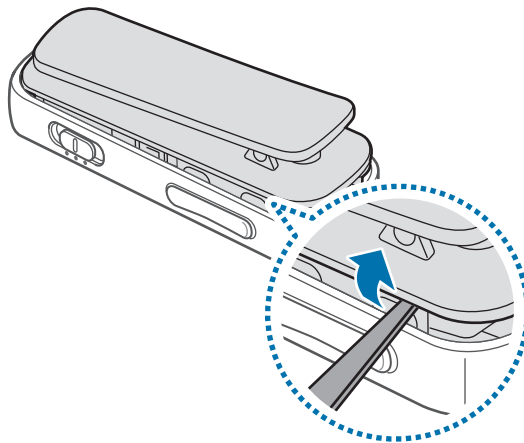
Akku entnehmen (nicht entfernbarer Typ)



- Die folgende Anleitung ist ausschließlich für Ihren Dienstanbieter oder eine autorisierte Reparaturstelle gedacht.
- Schäden oder Fehler, die durch ein nicht autorisiertes Entfernen des Akkus entstehen, werden nicht von der Garantie abgedeckt.
- Wenn der Akku entfernt oder ersetzt werden soll, wenden Sie sich an Ihren Dienstanbieter oder eine autorisierte Reparaturstelle.

1 Führen Sie ein dünnes flaches Werkzeug in den Spalt zwischen Abdeckung und Gehäuse des Geräts ein.

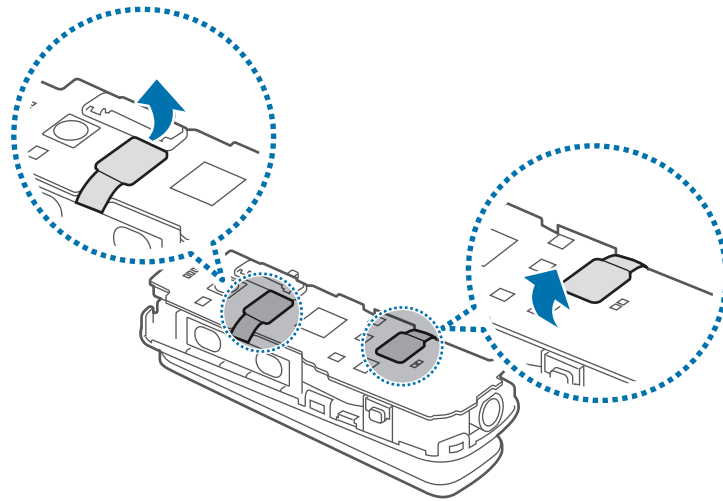
Lösen Sie anschließend mit dem Werkzeug der Abbildung entsprechend beide Teile voneinander.



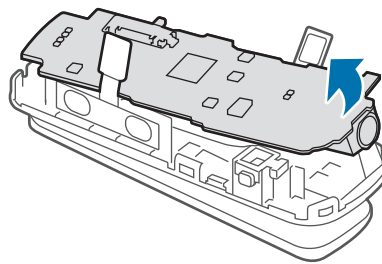
Gehen Sie beim Einführen des Werkzeugs vorsichtig vor, um keine internen Bauteile zu beschädigen.

2 Legen Sie die gelöste Abdeckung beiseite.

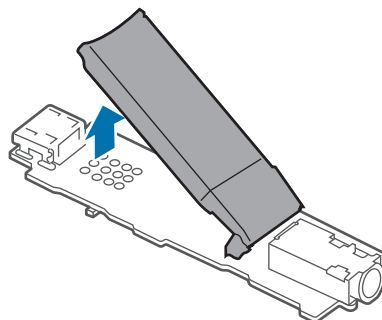
3 Trennen Sie die Akkustecker.



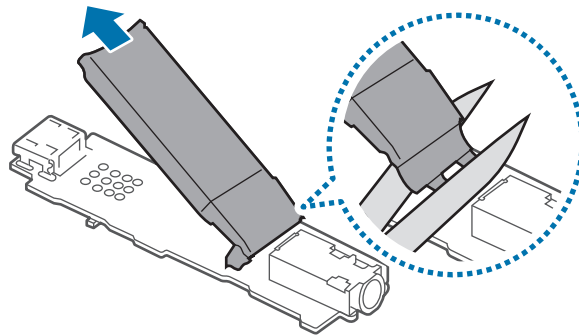
4 Lösen Sie die Platine vom Gerätegehäuse und legen Sie sie mit der Oberseite nach unten auf eine ebene Oberfläche.



5 Drücken Sie den Ladeanschluss nach unten und ziehen Sie den Akku nach oben, um ihn von der Platine zu lösen.



- 6 Ziehen Sie den Akku weg von der Platine und trennen Sie die Anschlüsse der Abbildung unten entsprechend.



- 7 Entnehmen Sie den Akku.

Konformitätserklärung

Produktdetails

Für das folgende

Produkt : Bluetooth-Dongle

Modell(e) : EO-RG920



Erklärung und gültige Normen

Wir erklären hiermit, dass das oben genannte Produkt mit den wesentlichen Anforderungen der R&TTE-Richtlinie (1999/5/EG) unter Anwendung folgender Standards übereinstimmt:

Sicherheit	EN 60950-1 : 2006 + A11 : 2009 + A1 : 2010 + A12 : 2011
SAR	EN 50566 : 2013 EN 62479 : 2010
EMV	EN 301 489-01 V1.9.2 (2011-09) EN 301 489-17 V2.2.1 (2012-09)
Funk	EN 300 328 V1.8.1 (2012-06)

Zudem wird die Richtlinie (2011/65/EU) zur eingeschränkten Verwendung gefährlicher Substanzen in elektrischen und elektronischen Geräten durch die Anwendung der Norm EN 50581:2012 eingehalten.

Vertreter in der EU

Samsung Electronics Euro QA Lab.
Blackbushe Business Park,
Saxony Way, Yateley, Hampshire,
GU46 6GG, UK

2015.01.27

(Ort und Datum)



Stephen Colclough / EU-Beauftragter

(Name und Unterschrift der/des Bevollmächtigten)

* Dies ist nicht die Adresse des Samsung-Kundendienstzentrums. Die Adresse oder Telefonnummer des Samsung-Kundendienstzentrums finden Sie auf der Garantiekarte oder erfahren Sie von dem Geschäft, in dem Sie das Produkt erworben haben.

Copyright

Copyright © 2015 Samsung Electronics

Diese Anleitung ist durch internationale Urheberrechtsgesetze geschützt.

Diese Anleitung darf weder als Ganzes noch in Teilen ohne vorherige schriftliche Genehmigung von Samsung Electronics reproduziert, vertrieben, übersetzt oder in anderer Form oder mit anderen Mitteln elektronischer oder mechanischer Art übertragen werden. Dazu zählt auch das Fotokopieren, Aufzeichnen oder Speichern in jeglicher Art von Informationsspeicher- und -abrufsystem.

Marken

- SAMSUNG und das SAMSUNG-Logo sind eingetragene Marken von Samsung Electronics.
- Bluetooth® ist eine weltweit eingetragene Marke von Bluetooth SIG, Inc.
- Alle weiteren Marken und Copyrights sind Eigentum ihrer jeweiligen Besitzer.

Leggere prima dell'utilizzo

Leggete il presente manuale prima di utilizzare il dispositivo per garantirne un uso sicuro e corretto.

- Le descrizioni si basano sulle impostazioni predefinite del dispositivo.
- Le immagini potrebbero variare nell'aspetto dal prodotto reale. Il contenuto è soggetto a modifiche senza preavviso.
- Questo dispositivo supporta servizi e applicazioni che potrebbero richiedere una connessione dati attiva per il loro funzionamento ed aggiornamento. Come impostazione predefinita, la connessione dati è sempre attiva su questo dispositivo. Verificate i costi di connessione con il vostro gestore telefonico. A seconda del gestore telefonico e del piano tariffario, alcuni servizi potrebbero non essere disponibili.
- Per disabilitare la connessione dati, nel menu Applicazioni, selezionate **Impostazioni** → **Connessioni** → **Connessione dati** e deselezionate **Connessione dati**.

Le immagini ed il contenuto del presente manuale potrebbero non corrispondere al prodotto reale. Per utilizzare al meglio il dispositivo, leggete tutte le informazioni di sicurezza prima di utilizzarlo. Samsung non è responsabile per eventuali lesioni o danni derivanti da un utilizzo non corretto o dalla mancata osservanza delle precauzioni di sicurezza.

- Gli accessori illustrati in questo manuale potrebbero variare in base al Paese nel quale vengono distribuiti.
- Il contenuto di questo manuale potrebbe differire dal prodotto reale o dalla versione software fornita dal gestore telefonico, ed è soggetto a modifiche senza preavviso.

Icone informative



Avvertenza: indica situazioni che potrebbero causare lesioni alle persone



Attenzione: indica situazioni che potrebbero causare danni al vostro dispositivo o ad altri apparecchi



Nota: indica note, suggerimenti per l'uso o informazioni aggiuntive

Operazioni preliminari

Info sul Level Link

Il Level Link supporta la modalità di ricezione e la modalità di invio. Nella modalità di ricezione, potete connettere degli auricolari al Level Link e utilizzarlo come auricolare Bluetooth per dispositivi abilitati Bluetooth, come smartphone o tablet. Nella modalità di invio, potete utilizzare il dispositivo come dongle che si connette a computer, TV, auricolari Bluetooth e altro.

Nella modalità di ricezione, potete utilizzare le seguenti funzionalità:

- Avvio di S Voice
- Ricezione o termine di chiamate
- Controllo di file multimediali

Nella modalità di invio, potete riprodurre il suono del dispositivo multimediale connesso.

Contenuto della confezione

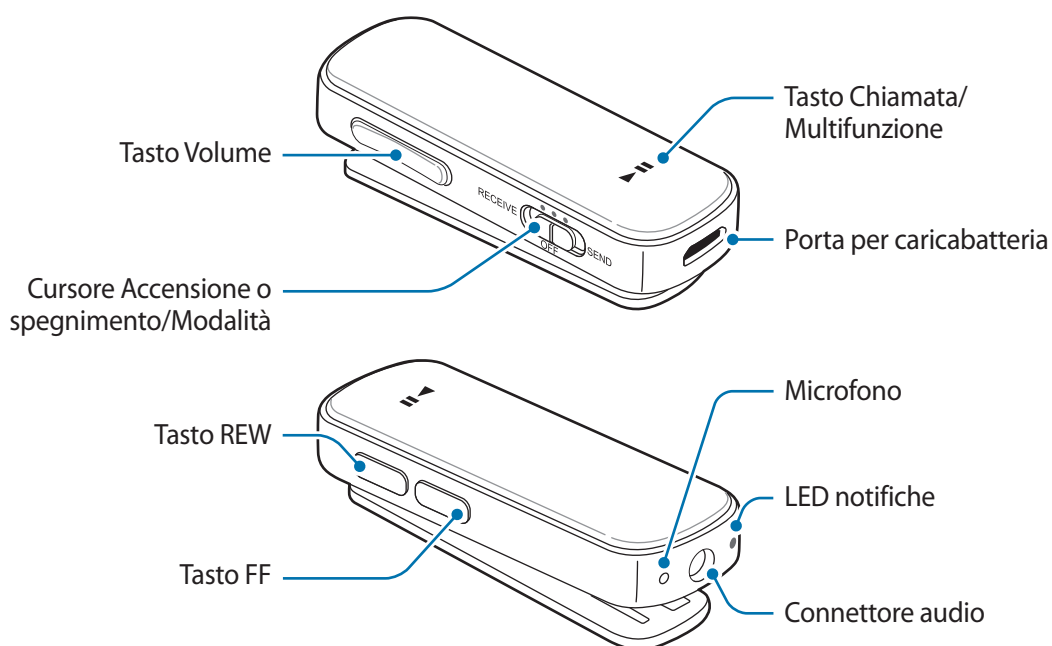
Accertatevi che nella confezione siano presenti i seguenti elementi:

- Dispositivo
- Auricolari
- Cavo USB
- Cavo audio
- Guida di riferimento rapido



- Gli elementi forniti con il dispositivo e gli accessori disponibili potrebbero variare in base al Paese o al gestore telefonico.
- Gli elementi forniti sono stati creati soltanto per il presente dispositivo e potrebbero non essere compatibili con altri dispositivi.
- L'aspetto e le specifiche sono soggette a modifiche senza preavviso.
- Potrete acquistare accessori aggiuntivi dal rivenditore Samsung di zona. Accertatevi che siano compatibili con il dispositivo prima di acquistarli.
- Utilizzate solo accessori approvati da Samsung. L'utilizzo di accessori non approvati potrebbe causare problemi di prestazione e malfunzionamenti non coperti dalla garanzia.
- La disponibilità di tutti gli accessori potrebbe variare in base alle aziende produttrici. Per maggiori informazioni sugli accessori disponibili, fate riferimento al sito Web di Samsung.

Componenti del dispositivo



Tasti e funzioni

Nome	Funzione
Cursore Accensione o spegnimento/ Modalità	<ul style="list-style-type: none"> • Scorrete verso sinistra per attivare la modalità di ricezione e scorrete verso destra per attivare la modalità di invio. • Scorrete su OFF per spegnere il dispositivo.
Tasto Chiamata/ Multifunzione	<ul style="list-style-type: none"> • Nella modalità di ricezione, tenete premuto per 1 secondo per avviare S Voice. • Nella modalità di ricezione, premete per rispondere o terminare una chiamata. • Nella modalità di ricezione, tenete premuto per rifiutare una chiamata. • Nella modalità di ricezione, tenete premuto per trasferire le chiamate dal Level Link all'altro dispositivo, o viceversa. • Nella modalità di ricezione, premete per riprodurre o interrompere i file multimediali. • Nella modalità di ricezione o nella modalità di invio, tenete premuto per 3 secondi per entrare nella modalità abbinamento Bluetooth.
Tasto Volume	<ul style="list-style-type: none"> • Nella modalità di ricezione, premete per regolare il volume durante una chiamata. • Nella modalità di ricezione, premete per regolare il volume durante la riproduzione di file multimediali.
Tasto REW / Tasti FF	<ul style="list-style-type: none"> • Nella modalità di ricezione, premete per riprodurre il file multimediale precedente o successivo durante la riproduzione. • Nella modalità di ricezione, tenete premuto per riavvolgere o avanzare velocemente in un file multimediale durante la riproduzione.

Spia di stato

Stato	Colore
Modalità abbinamento Bluetooth	<ul style="list-style-type: none"> • Lampeggia in rosso, verde e blu
Accensione o attivazione modalità	<ul style="list-style-type: none"> • Lampeggia in blu 3 volte
Spento	<ul style="list-style-type: none"> • Lampeggia in rosso 3 volte
Chiamata in arrivo	<ul style="list-style-type: none"> • Lampeggia in blu

Caricamento della batteria

Caricate la batteria prima di utilizzare il Level Link per la prima volta o se il Level Link è rimasto inutilizzato per lunghi periodi di tempo.

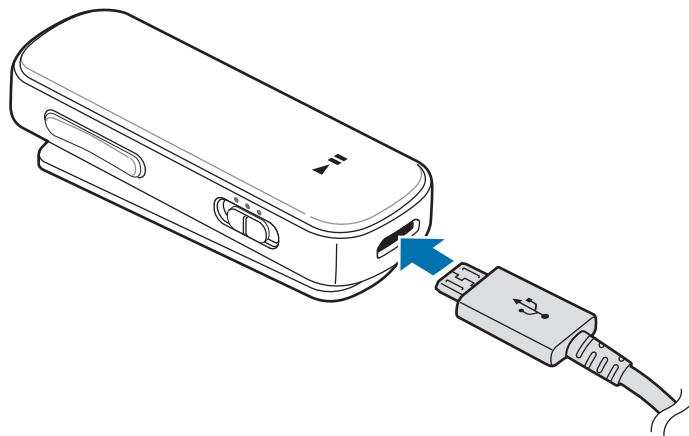


Utilizzate solo caricabatteria, batterie e cavi dati approvati da Samsung. Caricabatteria o cavi non approvati potrebbero provocare l'esplosione della batteria o danneggiare l'auricolare.



Se la batteria è completamente scarica, l'auricolare non può essere acceso subito dopo aver collegato il caricabatteria. Lasciate caricare la batteria scarica per alcuni minuti prima di accendere l'auricolare.

Connettete il dispositivo ad un computer o all'alimentatore USB tramite cavo USB.



Il collegamento errato del caricabatteria potrebbe causare gravi danni al dispositivo. I danni causati da un uso improprio non sono coperti dalla garanzia.



- Durante la carica potrete utilizzare il dispositivo, ma la batteria verrà caricata più lentamente.
- Durante la carica, il dispositivo potrebbe surriscaldarsi. Ciò è normale e non dovrebbe influire sulla durata o sulle prestazioni del dispositivo. Se la batteria dovesse scaldarsi più del solito, il caricabatteria potrebbe interrompere il caricamento.
- Se il dispositivo non si ricarica correttamente, portate il dispositivo e il caricabatteria presso un centro assistenza Samsung.

Quando la batteria è carica, scollegate il dispositivo dal caricabatteria. Scollegate prima il caricabatteria dal dispositivo e poi l'alimentatore dalla presa di corrente appropriata.



Quando la batteria è carica, scollegate il caricabatteria dalla presa della corrente. Il caricabatteria non è dotato di cusore Accensione o spegnimento, pertanto dovete scollegarlo dalla presa di corrente quando non è in uso per evitare di consumare energia. Durante la carica, il caricabatteria dovrebbe rimanere vicino alla presa di corrente appropriata ed essere facilmente accessibile.

Controllo del livello della batteria

Tenete premuti contemporaneamente il tasto Volume su e il tasto Multifunzione per 1 secondo. Il LED notifiche lampeggia tre volte in colori diversi in base allo stato della carica.

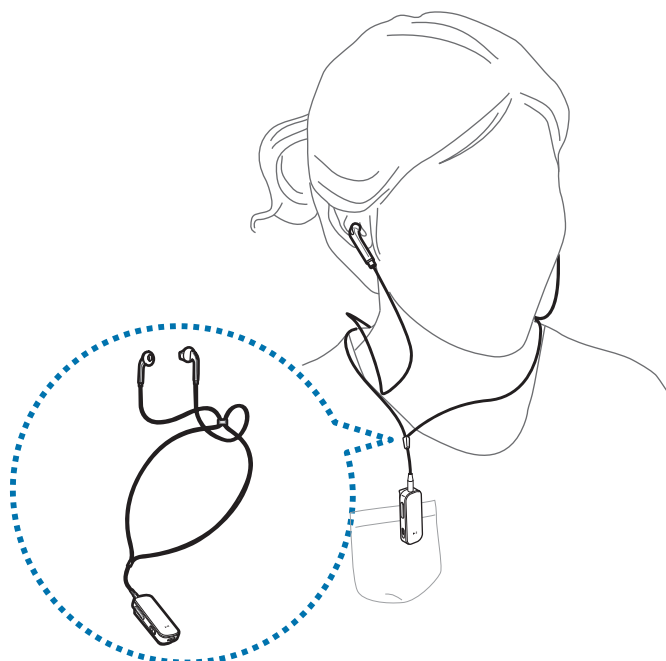
Stato	Colore
Meno del 30 %	• Rosso
30 – 60 %	• Giallo
Oltre il 60 %	• Verde


Come indossare il dispositivo e gli auricolari

Collegate gli auricolari in dotazione al Level Link e indossateli intorno al collo.


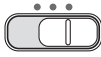

- 1 Inserite gli auricolari nel connettore audio del Level Link.
- 2 Regolate la clip dell'auricolare in modo da formare un anello abbastanza grande da farvi passare la testa.


- 3 Fissate il Level Link su un indumento.
- 4 Indossate gli auricolari intorno al collo e inserite gli auricolari.



 Prestate attenzione quando utilizzate questo dispositivo con auricolari cablati. Se gli auricolari si arrotolano intorno al collo potreste soffocare.

Accensione o spegnimento del dispositivo

-  : consente di attivare la modalità di ricezione.
-  : consente di attivare la modalità di invio.
-  : consente di spegnere il dispositivo.

 Attenetevi a tutte le avvertenze e alle istruzioni del personale autorizzato poste nelle aree in cui l'uso di dispositivi wireless è limitato, come aeroplani e ospedali.

Utilizzo del dispositivo

Bluetooth

Info sul Bluetooth

Il Bluetooth è uno standard di tecnologia wireless che utilizza una frequenza di 2,4 GHz per connettere vari dispositivi posti a breve distanza. È in grado di effettuare la connessione e di scambiare dati con altri dispositivi abilitati Bluetooth, come dispositivi mobili, computer, stampanti e altri elettrodomestici digitali, senza il collegamento di cavi.

Avvisi sull'utilizzo del Bluetooth

- Per evitare problemi durante la connessione del dispositivo ad un altro dispositivo, posizionate i dispositivi l'uno vicino all'altro.
- Assicuratevi che il dispositivo e l'altro dispositivo Bluetooth si trovino entro il raggio di connessione Bluetooth (10 m). La distanza potrebbe variare in base all'ambiente in cui vengono utilizzati i dispositivi.
- Assicuratevi che non ci siano ostacoli tra l'auricolare e un dispositivo connesso, comprese persone, muri, angoli o recinzioni.
- Non toccate l'antenna Bluetooth del dispositivo connesso.
- Il Bluetooth utilizza la stessa frequenza di alcuni prodotti industriali, scientifici, medicali e a bassa potenza, il che potrebbe causare interferenze in caso di connessioni nelle vicinanze di questi tipi di prodotti.
- Alcuni dispositivi, specialmente quelli non testati o non approvati da Bluetooth SIG, potrebbero essere incompatibili con l'auricolare.
- Non utilizzate il Bluetooth per scopi illegali (ad esempio, copie pirata di file o registrazione illegale di comunicazioni a scopo commerciale).

Connessione ad altri dispositivi



La qualità del suono e il raggio di utilizzo tra il Level Link e i dispositivi audio connessi potrebbe variare in base ai dispositivi audio abilitati Bluetooth.

Connessione nella modalità di ricezione

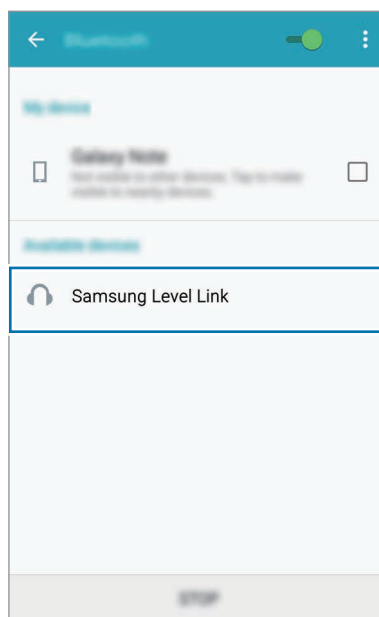
Potete ricevere le chiamate in arrivo o ascoltare musica quando il Level Link è connesso a dispositivi abilitati Bluetooth. Quando accendete il Level Link per la prima volta, questo entra automaticamente in modalità abbinamento Bluetooth.



- Quando abbinare il Level Link ad altri dispositivi tramite Bluetooth per la prima volta, il Level Link si connette automaticamente ai dispositivi abbinati. Se il Level Link non riesce a connettersi, entra in modalità abbinamento Bluetooth.
- Il Level Link è in grado di memorizzare le informazioni relative ad un massimo di otto dispositivi. Se il Level Link è stato connesso a più di un dispositivo, si connette al dispositivo abbinato più di recente.

- 1 Level Link** Scorrete l'interruttore Modalità verso sinistra per attivare la modalità di ricezione.
- 2 Level Link** Tenete premuto il tasto Multifunzione per circa 3 secondi per entrare nella modalità abbinamento Bluetooth.
- 3 Altro dispositivo** Attivate il Bluetooth e cercate i dispositivi Bluetooth.
Per maggiori informazioni, fate riferimento al manuale dell'utente dell'altro dispositivo.

4 Altro dispositivo Toccate **Samsung Level Link** dall'elenco.



5 Level Link Collegate gli auricolari al Level Link.

In alternativa, collegate il Level Link al connettore di ingresso ausiliario di un dispositivo di uscita audio tramite un cavo audio.



In questa modalità, il collegamento del Level Link tramite cavo audio ad un TV o ad un connettore di uscita audio del computer potrebbe causare danni al Level Link.

Connessione nella modalità di invio

Collegate il dispositivo ad un lettore multimediale tramite il cavo audio. Potete ascoltare file multimediali tramite un altro dispositivo audio, come un auricolare Bluetooth. Quando accendete il Level Link per la prima volta, questo entra automaticamente in modalità abbinamento Bluetooth.



- Quando abbinare il Level Link ad altri dispositivi tramite Bluetooth per la prima volta, il Level Link si connette automaticamente ai dispositivi abbinati. Se il Level Link non riesce a connettersi, entra in modalità abbinamento Bluetooth.
- Il Level Link è in grado di memorizzare le informazioni relative ad un massimo di otto dispositivi. Se il Level Link è stato connesso a più di un dispositivo, si connette al dispositivo abbinato più di recente.

- 1** **Level Link** Scorrete l'interruttore Modalità verso destra per attivare la modalità di invio.
- 2** **Level Link** Tenete premuto il tasto Multifunzione per circa 3 secondi per entrare nella modalità abbinamento Bluetooth.
- 3** **Level Link** Posizionate il Level Link ad un massimo di 30 cm dal dispositivo audio abbinato.
Il Level Link e il dispositivo audio sono ora connessi tramite Bluetooth. Se la connessione non va a buon fine, spegnete il dispositivo audio e accendetelo nuovamente. Successivamente, ripetete il passaggio sopra indicato.
- 4** Inserite il cavo audio nel connettore audio del Level Link. Successivamente, inserite l'altra estremità del cavo audio nel connettore di uscita audio del lettore multimediale.



- Il metodo di connessione tramite Bluetooth potrebbe variare in base ai dispositivi connessi. Per maggiori informazioni, fate riferimento al manuale dell'utente del dispositivo connesso.
- Quando il Level Link è connesso ad un TV nella modalità di invio, potrebbero verificarsi dei problemi di sincronizzazione delle labbra. Si consiglia di collegare il Level Link ad un TV che supporta il codec aptX Low Latency.
- Quando utilizzate il Level Link con un lettore multimediale, abbassate il volume del lettore multimediale prima di scollegare il cavo audio per evitare suoni improvvisi ad alto volume.
- In base al volume del lettore multimediale collegato, si potrebbero verificare degli abbassamenti di volume o dei rumori. Per evitare questo problema, regolate adeguatamente il suono del lettore multimediale.

Connessione a dispositivi aggiuntivi

Nella modalità di ricezione o nella modalità di invio, il Level Link può connettersi fino a due dispositivi tramite Bluetooth.

- 1 Nella modalità di ricezione o di invio, connettete il Level Link al primo dispositivo.
- 2 Connettete il Level Link ad un secondo dispositivo tramite Bluetooth utilizzando il metodo di connessione utilizzato per il primo dispositivo.



- Nella modalità di ricezione, se il Level Link non compare nell'elenco dei dispositivi rilevati, tenete premuto il tasto Multifunzione per circa 3 secondi per entrare nella modalità abbinamento Bluetooth.
- Nella modalità di invio, il Level Link supporta il codec aptX a bassa latenza quando è collegato ad un singolo dispositivo audio. Se due dispositivi audio sono collegati contemporaneamente al Level Link, il codec aptX non è supportato e la riproduzione di video e audio potrebbe non risultare sincronizzata.
- Nella modalità di invio, il raggio di utilizzo del Level Link e di altri dispositivi potrebbe ridursi.

Riconnessione o disconnessione da altri dispositivi

Riconnessione dei dispositivi

Quando il Level Link viene disconnesso dal dispositivo audio a causa della distanza tra i due dispositivi, avvicinate i dispositivi e premete il tasto Multifunzione per abbinarli nuovamente. In alternativa, potete utilizzare il menu Bluetooth sul dispositivo audio per abbinare i dispositivi.

Disconnessione dei dispositivi

Per disconnettere il Level Link dal dispositivo audio, spegnete il dispositivo per interrompere l'abbinamento. Se avete connesso i due dispositivi tramite cavo audio, scollegate il cavo da entrambi i dispositivi.

Utilizzo delle modalità di ricezione e di invio

Nella modalità di ricezione, potete avviare S Voice, rispondere alle chiamate in arrivo o riprodurre file multimediali. In questa modalità, utilizzate il Level Link con degli auricolari, oppure connettete il Level Link a un dispositivo audio tramite un cavo audio.

Nella modalità di invio, potete ascoltare l'audio proveniente dal lettore multimediale tramite il dispositivo audio connesso.



- Le funzionalità disponibili potrebbero variare in base al dispositivo a cui siete connessi. Alcune funzionalità potrebbero non essere disponibili se il Level Link è connesso a due dispositivi contemporaneamente.
- Alcune funzionalità potrebbero essere disponibili solo quando il Level Link si connette a un dispositivo tramite Hands-Free Profile (HFP).
- La posizione del microfono varia in base a come indossate il Level Link. La posizione del Level Link potrebbe influire sulla qualità del suono durante le chiamate.

Avvio di S Voice

Premete il tasto Multifunzione per 1 secondo. Se il dispositivo connesso supporta S Voice, potete utilizzare l'applicazione tramite Level Link.

Risposta e rifiuto delle chiamate

Risposta ad una chiamata

Premete il tasto Chiamata per rispondere alle chiamate effettuate al dispositivo connesso.

Rifiuto di una chiamata

Tenete premuto il tasto Chiamata per rifiutare le chiamate effettuate al dispositivo connesso.

Utilizzo delle opzioni durante le chiamate

Regolazione del volume

Durante una chiamata, premete il tasto Volume per regolare il volume.

Cambio dell'uscita del suono

Tenete premuto il tasto Chiamata per trasferire le chiamate dal Level Link al dispositivo connesso. La disponibilità di questa funzionalità potrebbe variare in base al dispositivo connesso.

Termine di una chiamata

Premete il tasto Chiamata per terminare una chiamata.

Riproduzione di file multimediali

Riproducete i file multimediali nella modalità di ricezione o invio. Le funzionalità disponibili potrebbero variare in base alla modalità utilizzata.

Riproduzione e interruzione di un file multimediale

Premete il tasto Multifunzione per riprodurre il file multimediale più recente sul dispositivo connesso.

Premete il tasto Multifunzione per mettere in pausa la riproduzione. Per riprendere la riproduzione, premete nuovamente il tasto Multifunzione.

Passaggio al file multimediale precedente o successivo

Premete il tasto REW o il tasto FF per passare al file precedente o successivo durante la riproduzione.

Riavvolgimento o avanzamento veloce di un file multimediale

Tenete premuto il tasto REW o il tasto FF per riavvolgere o avanzare velocemente nel file durante la riproduzione.

Regolazione del volume

Premete il tasto Volume per regolare il volume.



- Quando il Level Link è connesso a due dispositivi, potete riprodurre i file multimediali da uno dei due dispositivi. Per riprodurre un file multimediale da un dispositivo diverso, per prima cosa mettete in pausa la riproduzione dall'altro dispositivo.
- Quando riproducete un file multimediale da un dispositivo, potete comunque rispondere alle chiamate dall'altro dispositivo.
- In caso di differenze nell'alimentazione di uscita tra il cavo audio e il dispositivo audio collegato nella modalità di ricezione, il volume del suono sul Level Link potrebbe variare.

Ripristino dei dati

Quando il Level Link è connesso a un dispositivo tramite Bluetooth, le informazioni del Level Link, come indirizzo Bluetooth e tipo di dispositivo, vengono memorizzate sul dispositivo connesso. Per eliminare le informazioni relative alla connessione del Level Link, tenete premuto il tasto Multifunzione per circa 3 secondi per entrare nella modalità abbinamento Bluetooth. Successivamente, tenete premuto i tasti REW, FF e Multifunzione contemporaneamente per 3 secondi.

Appendice

Risoluzione dei problemi

Prima di rivolgervi ad un centro assistenza Samsung, provate le seguenti soluzioni. Alcune delle seguenti situazioni potrebbero non essere applicabili al vostro dispositivo.

Il dispositivo non si accende

Se la batteria è completamente scarica, il dispositivo non si accende. Caricate completamente la batteria prima di accendere il dispositivo.

La batteria non si ricarica correttamente (per caricabatteria approvati da Samsung)

- Assicuratevi che il caricabatteria sia collegato correttamente.
- Recatevi presso un centro assistenza Samsung per sostituire la batteria.

Un altro dispositivo Bluetooth non riesce a individuare il dispositivo

- Assicuratevi che il dispositivo sia in modalità abbinamento Bluetooth.
- Riavviate il dispositivo e cercate i dispositivi Bluetooth.
- Assicuratevi che il dispositivo e l'altro dispositivo Bluetooth si trovino entro il raggio di connessione Bluetooth (10 m).

Se i suggerimenti sopra indicati non risultassero utili per la risoluzione del problema, contattate un centro assistenza Samsung.

Impossibile individuare un altro dispositivo Bluetooth

- Assicuratevi che il dispositivo con il quale desiderate connettervi supporti la funzionalità wireless Bluetooth.
- Assicuratevi che il dispositivo e l'altro dispositivo Bluetooth si trovino entro l'intervallo massimo del Bluetooth (10 m).

La connessione Bluetooth si interrompe spesso

- Se ci sono degli ostacoli tra i dispositivi, la distanza di funzionamento potrebbe ridursi.
- Assicuratevi che il dispositivo e l'altro dispositivo Bluetooth si trovino entro l'intervallo massimo del Bluetooth (10 m).
- Quando utilizzate il dispositivo con altri dispositivi Bluetooth, la connessione potrebbe essere disturbata da onde elettromagnetiche. Utilizzate il dispositivo in ambienti in cui la presenza di dispositivi wireless sia inferiore.

Non riuscite a sentire la voce dell'interlocutore

- Regolate il volume del dispositivo.
- Regolate il volume del dispositivo connesso quando non riuscite ad ascoltare i suoni del dispositivo al massimo volume.

Durante le chiamate si sente un effetto eco

Regolate il volume premendo il tasto Volume o spostatevi in un'altra zona.

L'interlocutore non riesce a sentire la vostra voce

- Assicuratevi che il microfono integrato non sia ostruito o coperto.
- Assicuratevi che il microfono sia vicino alla bocca.

La qualità dell'audio è scarsa

- I servizi di rete wireless potrebbero essere disabilitati a causa di problemi con la rete del gestore telefonico. Assicuratevi di tenere il dispositivo lontano da onde elettromagnetiche.
- Assicuratevi che il dispositivo e l'altro dispositivo Bluetooth si trovino entro l'intervallo massimo del Bluetooth (10 m).

Il funzionamento del dispositivo è diverso da quello descritto nel manuale

- Le funzioni disponibili potrebbero variare in base al dispositivo connesso.
- Alcune funzionalità non possono essere utilizzate quando due dispositivi sono connessi al dispositivo contemporaneamente.

La batteria si scarica più rapidamente rispetto a quando l'avete acquistata

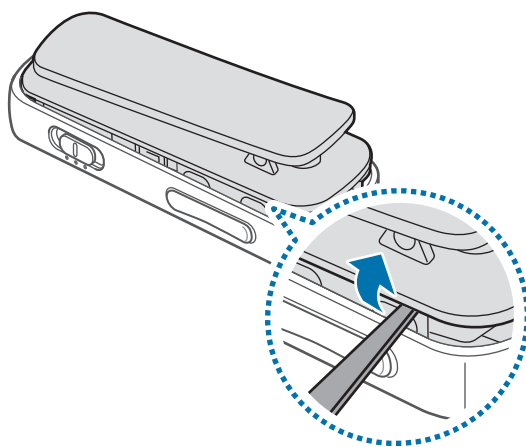
- Se esponete il dispositivo o la batteria a temperature molto fredde o molto calde, la capacità di carica potrebbe diminuire.
- La batteria è deperibile e la capacità di carica diminuisce nel tempo.

Rimozione della batteria (tipo non removibile)



- Queste istruzioni riguardano esclusivamente il vostro gestore telefonico o agente di riparazioni autorizzato.
- I danni o difetti causati dalla rimozione non autorizzata della batteria non sono coperti dalla garanzia.
- Per rimuovere o sostituire la batteria, contattate il vostro gestore telefonico o un agente di riparazioni autorizzato.

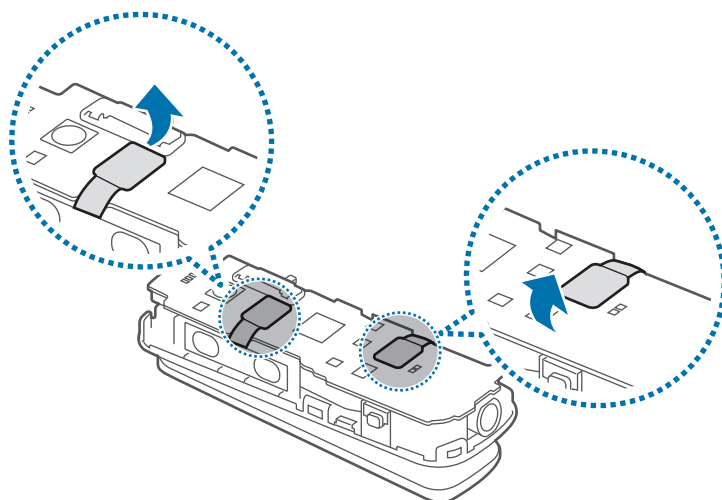
- 1 Inserite uno strumento sottile e piatto nello spazio tra la cover e il corpo del dispositivo.
Successivamente, utilizzate lo strumento per separarli come mostrato nell'immagine di seguito.



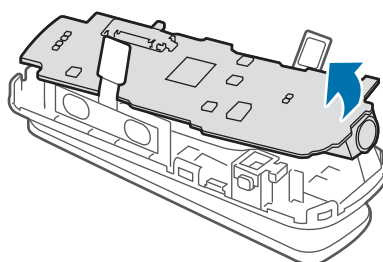
Prestate attenzione nell'inserimento dello strumento per evitare danni ai componenti interni del dispositivo.

- 2 Quando avete separato la cover, mettetela da parte.

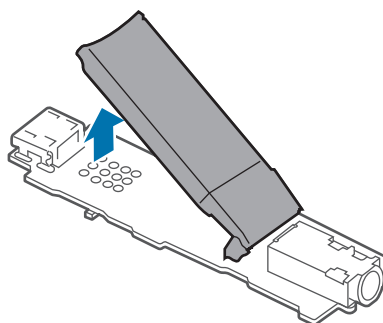
3 Scollegate i connettori della batteria.



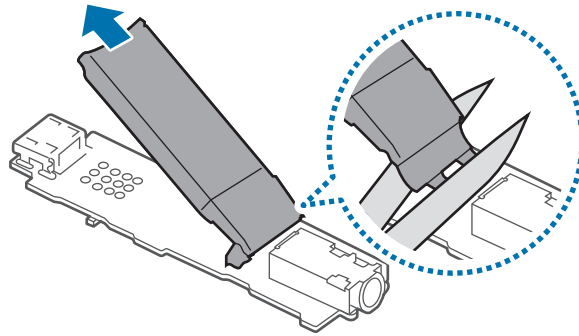
4 Rimuovete il circuito stampato sganciandolo dal corpo del dispositivo e posizionatelo capovolto su una superficie piana.



5 Esercitate una pressione sulla porta di ricarica e tirate la batteria verso l'alto per liberarla dal circuito stampato.



- 6 Estraiete la batteria dal circuito stampato e tagliate i collegamenti nel punto mostrato nell'immagine di seguito.



- 7 Rimuovete la batteria.

Dichiarazione di Conformità

Dettagli prodotto

Per i seguenti

Prodotto : Dongle Bluetooth

Modello(i) : EO-RG920



Dichiarazione & Standard applicabili

Si dichiara che il prodotto di cui sopra è conforme ai requisiti essenziali della Direttiva R&TTE (1999/5/CE) per l'applicazione di:

Sicurezza	EN 60950-1 : 2006 + A11 : 2009 + A1 : 2010 + A12 : 2011
SAR	EN 50566 : 2013 EN 62479 : 2010
EMC	EN 301 489-01 V1.9.2 (2011-09) EN 301 489-17 V2.2.1 (2012-09)
Radio	EN 300 328 V1.8.1 (2012-06)

e della Direttiva (2011/65/UE) sulla limitazione d'uso di alcune sostanze pericolose nei dispositivi elettrici ed elettronici tramite l'attuazione della norma EN 50581:2012.

Rappresentante nella UE

Samsung Electronics Euro QA Lab.
Blackbushe Business Park
Saxony Way, Yateley, Hampshire
GU46 6GG, UK



2015.01.27

Stephen Colclough / Rappresentante UE

(luogo e data emissione)

(nome e firma della persona autorizzata)

* Non è l'indirizzo del Centro Servizi Samsung. Per conoscere l'indirizzo o il numero telefonico del Centro Servizi Samsung, controllate il tagliando di garanzia o contattate il rivenditore presso il quale avete acquistato il prodotto.

Il dispositivo e gli accessori illustrati in questo manuale potrebbero variare in base al Paese nel quale i prodotti vengono distribuiti.

Copyright

Copyright © 2015 Samsung Electronics

Questo manuale è protetto dalle leggi internazionali sul copyright.

Nessuna parte di questo manuale può essere riprodotta, distribuita, tradotta o trasmessa in alcuna forma o tramite alcun mezzo, elettronico o meccanico, compresi fotocopie, registrazione o salvataggio in qualsiasi archivio di informazioni o sistema di recupero, senza previa autorizzazione scritta da parte di Samsung Electronics.

Marchi commerciali

- SAMSUNG e il logo SAMSUNG sono marchi commerciali registrati di Samsung Electronics.
- Bluetooth® è un marchio commerciale registrato in tutto il mondo di Bluetooth SIG, Inc.
- Tutti gli altri marchi e diritti d'autore sono proprietà dei rispettivi proprietari.

Léame primero

Lea este manual antes de usar el dispositivo para garantizar su uso correcto y seguro.

- Las descripciones se basan en la configuración predeterminada del dispositivo.
- Es posible que las imágenes no sean exactamente iguales al producto real. El contenido se encuentra sujeto a cambios sin previo aviso.

Iconos instructivos



Advertencia: situaciones que podrían causar lesiones a usted u otros



Precaución: situaciones que podrían causar daños a su dispositivo u otros equipos



Nota: notas, consejos de uso o información adicional

Primeros pasos

Sobre Level Link

Level Link es compatible con modo Recepción y modo Envío. En modo Recepción, puede conectar los auriculares al Level Link y usarlos como auriculares Bluetooth para dispositivos compatibles con Bluetooth, como teléfonos inteligentes o tabletas. En modo Envío, puede utilizar el dispositivo como un dongle que se conecta a ordenadores, televisores, auriculares Bluetooth y mucho más.

En modo Recepción, puede utilizar las siguientes características:

- Iniciar S Voice
- Recibir o finalizar llamadas
- Controlar archivos multimedia

En modo Envío, puede reproducir el sonido del dispositivo multimedia conectado.

Contenidos de la caja

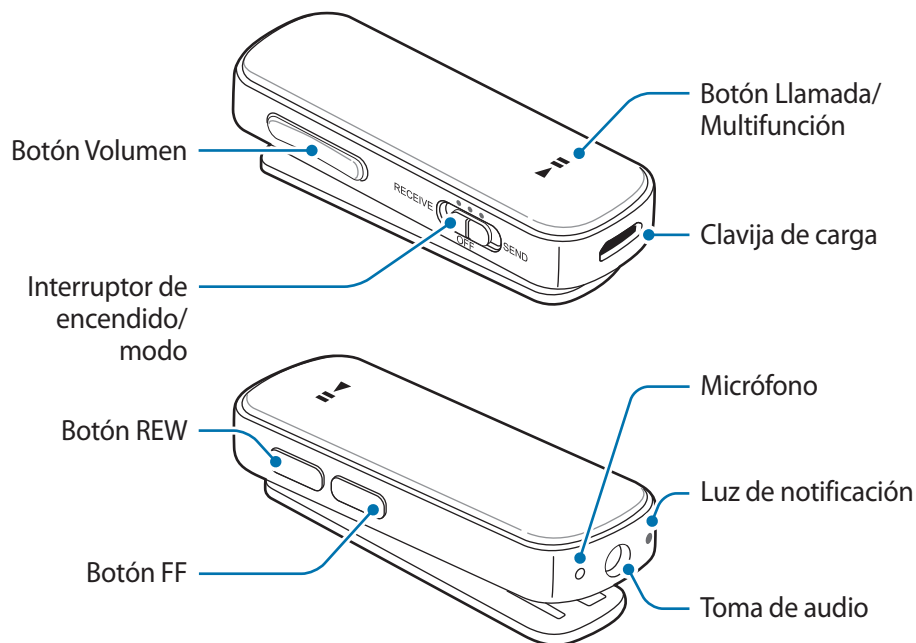
Compruebe que la caja del producto contiene los siguientes elementos:

- Dispositivo
- Auriculares
- Cable USB
- Cable de audio
- Guía de inicio rápido



- Los elementos que vienen con el dispositivo y los accesorios disponibles podrían variar según su región o el proveedor de servicios.
- Los elementos suministrados están diseñados sólo para este dispositivo y pueden no ser compatibles con otros dispositivos.
- La apariencia y las especificaciones están sujetas a cambios sin previo aviso.
- Puede adquirir accesorios adicionales en su distribuidor local de Samsung. Asegúrese de que sean compatibles con el dispositivo antes de la compra.
- Utilice únicamente accesorios aprobados por Samsung. El uso de accesorios no aprobados puede causar problemas de rendimiento y fallos de funcionamiento que no están cubiertos por la garantía.
- La disponibilidad de todos los accesorios está sujeta a cambios dependiendo enteramente de las empresas de fabricación. Para obtener más información sobre los accesorios disponibles, consulte el sitio web de Samsung.

Diseño del dispositivo



Botones y funciones

Nombre	Función
Interruptor de encendido/modo	<ul style="list-style-type: none"> • Desplácelo a la izquierda para activar el modo Recepción y a la derecha para activar el modo Envío. • Deslice el interruptor a OFF para apagar el dispositivo.
Botón Llamada/ Multifunción	<ul style="list-style-type: none"> • En modo Recepción, mantenga pulsado el botón durante 1 segundo para iniciar S Voice. • En modo Recepción, pulse para responder o finalizar una llamada. • En modo Recepción, mantenga pulsado el botón para rechazar una llamada. • En modo Recepción, mantenga pulsado el botón para transferir llamadas desde el Level Link a otro dispositivo, o viceversa. • En modo Recepción, pulse el botón para reproducir o detener archivos multimedia. • En modo Recepción o modo Envío, mantenga pulsado el botón durante 3 segundos para entrar al modo de asociación Bluetooth.
Botón Volumen	<ul style="list-style-type: none"> • En modo Recepción, pulse el botón para ajustar el volumen durante una llamada. • En modo Recepción, pulse el botón para ajustar el volumen durante la reproducción de archivos multimedia.
Botón REW / Botones FF	<ul style="list-style-type: none"> • En modo Recepción, pulse el botón para reproducir el archivo multimedia anterior o siguiente durante la reproducción. • En modo Recepción, mantenga pulsado el botón para rebobinar o avanzar rápidamente un archivo multimedia durante la reproducción.

Luz indicadora de estado

Estado	Color
Modo de asociación Bluetooth	<ul style="list-style-type: none"> • Destello rojo, verde y azul
Modos Encender o activar	<ul style="list-style-type: none"> • Destello azul 3 veces
Apagar	<ul style="list-style-type: none"> • Destello rojo 3 veces
Llamada entrante	<ul style="list-style-type: none"> • Destello azul

Cargar la batería

Cargue la batería antes de utilizar el Level Link por primera vez o cuando el Level Link no se haya utilizado durante mucho tiempo.

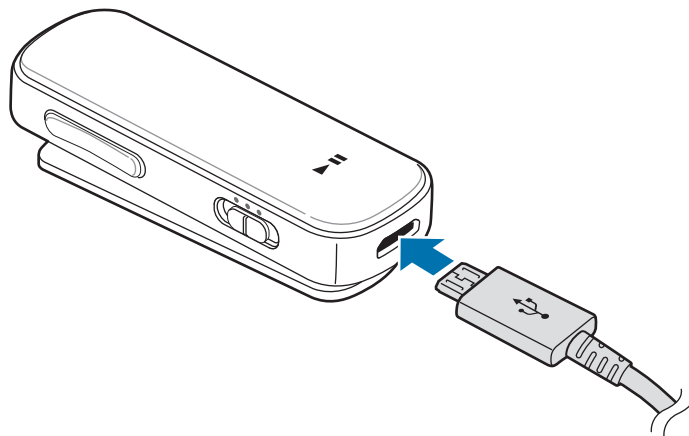


Utilice solo cargadores, baterías y cables aprobados por Samsung. Los cargadores o cables no aprobados pueden provocar que la batería explote o dañe los auriculares.



Si la batería está completamente descargada, el auricular no se puede activar de inmediato cuando se conecta el cargador. Deje que la batería agotada se cargue durante algunos minutos antes de encender los auriculares.

Conecte el dispositivo a un ordenador o al adaptador de alimentación USB mediante el cable USB.



Conectar el cargador de forma inadecuada puede causar daños graves en el dispositivo. Los daños provocados por mal uso no están cubiertos por la garantía.



- El dispositivo se puede utilizar mientras se está cargando, pero puede tardar más en cargar completamente la batería.
- Durante la carga, el dispositivo puede calentarse. Esto es normal y no debería afectar la duración o el rendimiento del dispositivo. Si la batería se calienta más de lo normal, el cargador puede detener la carga.
- Si el dispositivo no se carga correctamente, lleve el dispositivo y el cargador a un Centro de servicios de Samsung.

Después de cargarlo por completo, desconecte el cargador del dispositivo. Desconecte primero el cargador del dispositivo, y después de la toma de corriente.



El cargador no tiene interruptor de encendido y apagado, por tanto, para detener el suministro eléctrico, el usuario debe desenchufar el cargador de la red. Además, cuando esté conectado debe permanecer cerca del enchufe. Para ahorrar energía, desenchufe el cargador cuando no esté en uso.

Comprobar el nivel de la batería

Simultáneamente mantenga pulsado el botón para subir el volumen y el botón Multifunción durante 1 segundo. La luz de notificación destella tres veces con diferentes colores según el estado de carga.

Estado	Color
Menos del 30%	• Rojo
30–60%	• Amarillo
Más del 60%	• Verde

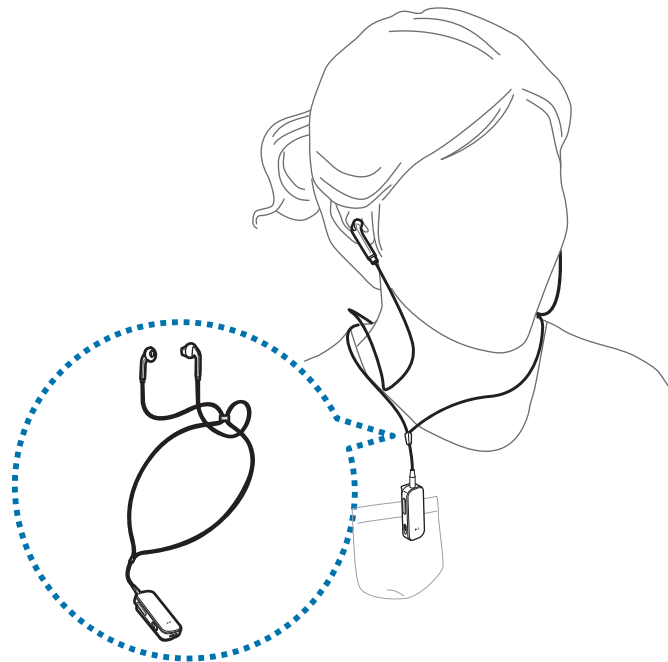
Uso del dispositivo y auriculares

Conecte los auriculares suministrados al Level Link y colóquelos alrededor del cuello.

- 1 Conecte los auriculares a la toma de audio del Level Link.
- 2 Ajuste el clip del auricular para formar un lazo lo suficientemente grande como para que pase por su cabeza.

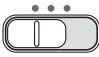
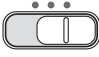

3 Sujete el Level Link en su ropa.

4 Coloque los auriculares alrededor de su cuello y póngaselos.



Tenga cuidado cuando use este dispositivo con auriculares cableados. Puede ahogarse si los auriculares se enredan alrededor de su cuello.

Encender y apagar el dispositivo

-  : activar el modo Recepción.
-  : activar el modo Envío.
-  : apague el dispositivo.



Siga todas las advertencias e instrucciones publicadas por el personal autorizado en áreas donde el uso de dispositivos inalámbricos esté prohibido, como aviones y hospitales.

Uso del dispositivo

Bluetooth

Acerca de Bluetooth

Bluetooth es un estándar de tecnología inalámbrica que utiliza una frecuencia de 2,4 GHz para conectar a varios dispositivos en distancias cortas. Puede conectarse e intercambiar datos con otros dispositivos habilitados para Bluetooth, como dispositivos móviles, ordenadores, impresoras y otros electrodomésticos digitales, sin necesidad de conectarse a través de cables.

Avisos para el uso de Bluetooth

- Para evitar problemas al conectar el dispositivo a otro dispositivo, coloque los dispositivos cerca uno del otro.
- Asegúrese de que su dispositivo y el otro dispositivo Bluetooth con el que quiera conectarlo se encuentren dentro del rango de conexión Bluetooth (10 m). La distancia puede variar según el entorno en el que se usen los dispositivos.
- Asegúrese de que no haya obstáculos entre los auriculares y el dispositivo conectado, incluyendo personas, paredes, esquinas o vallas.
- No toque la antena Bluetooth de un dispositivo conectado.
- La función Bluetooth usa la misma frecuencia que algunos productos industriales, científicos, médicos o de bajo consumo de energía, y podría haber interferencias al establecer conexiones cerca de este tipo de productos.
- Algunos dispositivos, en especial aquellos que no han sido probados o aprobados por Bluetooth SIG, podrían no ser compatibles con los auriculares.
- No use la función Bluetooth con propósitos ilegales (por ejemplo, para piratear copias de archivos o interceptar comunicaciones de manera ilegal con propósitos comerciales).

Conectarse con otros dispositivos



La calidad del sonido y el rango de uso entre el Level Link y los dispositivos de audio conectados puede variar dependiendo de los dispositivos de audio compatibles con Bluetooth.

Conectarse en el modo Recepción

Puede recibir llamadas entrantes o escuchar música cuando su Level Link esté conectado a los dispositivos compatibles con Bluetooth. Al encender el Level Link por primera vez, éste entrará en el modo de asociación Bluetooth.



- Cuando se asocia por primera vez el Level Link con otros dispositivos a través de Bluetooth, el Level Link se conecta automáticamente a los dispositivos asociados. Si el Level Link no se puede conectar, entrará en modo de asociación Bluetooth.
- El Level Link puede almacenar información del dispositivo para hasta ocho dispositivos. Si el Level Link se ha conectado a más de un dispositivo, se conecta al dispositivo asociado más recientemente.

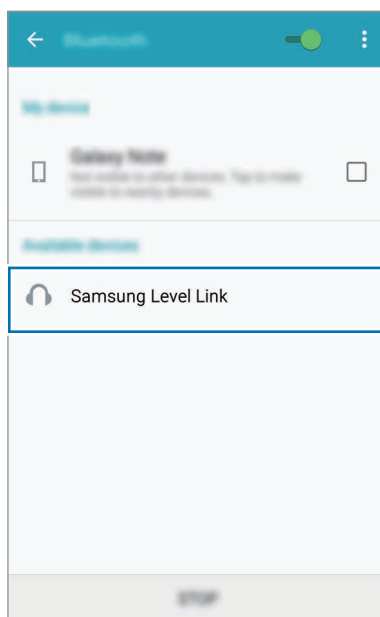
1 **Level Link** Deslice el interruptor de Modo a la izquierda para activar el modo Recepción.

2 **Level Link** Mantenga pulsado el botón Multifunción durante unos 3 segundos para entrar en modo de asociación Bluetooth.

3 **Con otro dispositivo** Active la función Bluetooth y busque dispositivos Bluetooth.

Si necesitara más información de cómo asociarlos consulte el manual de usuario del dispositivo con el que quiere parrear el Level Link.

4 **Con otro dispositivo** Pulse **Samsung Level Link** desde la lista.



5 **Level Link** Conecte los auriculares al Level Link.

O, conecte el Level Link a la toma de salida de audio del otro dispositivo mediante un cable de audio.



En este modo, si conecta el Level Link mediante un cable de audio a un televisor o a la salida de audio de un ordenador, su Level Link podría dañarse.

Conectarse en el modo Envío

Conecte el dispositivo a un reproductor multimedia mediante un cable de audio. Puede escuchar archivos multimedia con otro dispositivo de audio, como auriculares Bluetooth. Al encender el Level Link por primera vez, éste entrará en el modo de asociación Bluetooth.



- Cuando se asocia por primera vez el Level Link con otros dispositivos a través de Bluetooth, el Level Link se conecta automáticamente a los dispositivos asociados. Si el Level Link no se puede conectar, entrará en modo de asociación Bluetooth.
- El Level Link puede almacenar información del dispositivo hasta para ocho dispositivos. Si el Level Link se ha conectado a más de un dispositivo, se conecta al dispositivo asociado más recientemente.

- 1 **Level Link** Deslice el interruptor de Modo a la derecha para activar el modo Envío.
- 2 **Level Link** Mantenga pulsado el botón Multifunción durante unos 3 segundos para entrar en modo de asociación Bluetooth.
- 3 **Level Link** Coloque su Level Link a 30 cm del dispositivo de audio asociado.
El Level Link y el dispositivo de audio están ahora conectados mediante Bluetooth. Si falla la conexión, apague el dispositivo de audio y vuelva a encenderlo. A continuación, repita los pasos anteriores.
- 4 Conecte el toma de audio en la clavija de audio del Level Link. Después, conecte el otro extremo del cable a la salida de audio del reproductor multimedia.



- El método para conectarse por Bluetooth puede variar en función de los dispositivos conectados. Para obtener más información, consulte el manual del usuario del dispositivo conectado.
- Cuando el Level Link se conecta a un televisor en el modo Envío, puede experimentar problemas de sincronización de audio e imagen. Se recomienda conectar el Level Link a un televisor compatible con el codec aptX Low Latency.
- Cuando use el Level Link con un reproductor multimedia, desactive el volumen del reproductor multimedia antes de desconectar el cable de audio para evitar sonidos fuertes y repentinos.
- Puede experimentar bajadas de volumen o ruido en función del volumen del reproductor multimedia conectado. Para evitar esto, ajuste adecuadamente el sonido del reproductor multimedia.

Conectar dispositivos adicionales

En modo Recepción o modo Envío, el Level Link se puede conectar a un máximo de dos dispositivos mediante Bluetooth.

- 1 En modo Recepción o modo Envío, conecte su Level Link al primer dispositivo.
- 2 Conecte el Level Link a un segundo dispositivo mediante Bluetooth con el método de conexión que se usó para el primer dispositivo.



- En modo Recepción, si el Level Link no aparece en la lista de dispositivos detectados, mantenga pulsado el botón Multifunción durante unos 3 segundos para entrar en modo de asociación Bluetooth.
- En el modo Envío, el Level Link es compatible con el códec aptX de baja latencia cuando está conectado a un dispositivo de audio. Si dos dispositivos están conectados simultáneamente al Level Link, el códec aptX no es compatible y la salida de vídeo y audio puede no estar sincronizado.
- En modo Envío, el rango de uso entre el Level Link y otros dispositivos puede verse reducido.

Desconectar y volver a conectar otros dispositivos

Volver a conectar los dispositivos

Cuando su Level Link se desconecta de un dispositivo de audio a causa de la distancia entre los dispositivos, acerque los dispositivos entre sí y pulse el botón Multifunción para asociarlos de nuevo. Si no, puede usar el menú Bluetooth en el dispositivo de audio para asociar los dispositivos.

Desconectar los dispositivos

Para desconectar el Level Link del dispositivo de audio, apague su dispositivo o desasocie los dispositivos. Si conectó los dos dispositivos mediante un cable de audio, desenchufe el cable de ambos dispositivos.

Uso de los modos Recepción y Envío

En modo Recepción, puede iniciar S Voice, contestar llamadas entrantes, o reproducir archivos multimedia. En este modo, use su Level Link con auriculares, o conecte el Level Link a un dispositivo de audio mediante un cable de audio.

En modo Envío, puede escuchar el audio del reproductor multimedia a través del dispositivo de audio conectado.



- Las funciones disponibles pueden variar en función del dispositivo que se conecta. Algunas funciones pueden no estar disponibles si el Level Link está conectado simultáneamente a dos dispositivos.
- Algunas funciones están disponibles sólo cuando el Level Link se conecta a un dispositivo a través del perfil de manos libres (HFP, por sus siglas en inglés).
- La ubicación del micrófono varía según el uso que se le de al Level Link. La posición del Level Link puede afectar la calidad de sonido durante las llamadas.

Iniciar S Voice

Pulse el botón Multifunción durante 1 segundo. Si el dispositivo conectado es compatible con S Voice, puede utilizar la aplicación a través del Level Link.

Contestar y rechazar llamadas

Responder una llamada

Pulse el botón de Llamada para responder a las llamadas realizadas al dispositivo conectado.

Rechazar una llamada

Mantenga pulsado el botón de Llamada para rechazar las llamadas realizadas al dispositivo conectado.

Uso de opciones durante una llamada

Ajustar el volumen

Durante una llamada, pulse el botón Volumen para ajustar el volumen.

Cambiar la salida de sonido

Mantenga pulsado el botón de Llamada para transferir llamadas desde el Level Link al dispositivo conectado. Esta función puede no estar disponible dependiendo del dispositivo conectado.

Finalizar una llamada

Pulse el botón Llamar para finalizar una llamada.

Reproducción de archivos multimedia

Reproducir archivos multimedia en modo Recepción o modo Envío. Las funciones disponibles pueden variar según el modo utilizado.

Reproducir y detener un archivo multimedia

Pulse el botón Multifunción para reproducir el archivo multimedia más reciente en el dispositivo conectado.

Pulse el botón Multifunción para pausar la reproducción. Para reanudar la reproducción, vuelva a pulsar el botón Multifunción.

Saltar al archivo multimedia anterior o siguiente

Pulse el botón REW o FF para saltar al archivo anterior o siguiente durante la reproducción.

Rebobinado o avance rápido del archivo multimedia

Mantenga pulsado el botón REW o FF para rebobinar o avanzar rápidamente el archivo durante la reproducción.

Ajustar el volumen

Pulse el botón Volumen para ajustar el volumen.



- Cuando el Level Link se conecta a dos dispositivos, puede reproducir archivos multimedia desde cualquier dispositivo. Para reproducir un archivo multimedia desde un dispositivo diferente, primero pause la reproducción desde el otro dispositivo.
- Mientras se reproduce un archivo multimedia desde un dispositivo, puede contestar llamadas desde el otro dispositivo.
- Si hay diferencias en la potencia de salida del cable de audio y el dispositivo de audio conectado en modo Envío, el volumen del sonido en el Level Link puede variar.

Realizar un restablecimiento de datos

Cuando su Level Link está conectado a un dispositivo mediante Bluetooth, la información del Level Link (como dirección de Bluetooth y tipo de dispositivo) se almacena en el dispositivo conectado. Para borrar la información de conexión del Level Link, mantenga pulsado el botón de Multifunción durante unos 3 segundos para entrar en el modo de asociación Bluetooth. A continuación, mantenga pulsados simultáneamente los botones REW, FF y Multifunción durante 3 segundos.

Apéndice

Solución de problemas

Antes de ponerse en contacto con un centro de Servicio de Atención Técnica (SAT) de Samsung , intente aplicar las siguientes soluciones. Algunas situaciones podrían no aplicarse a su dispositivo.

El dispositivo no se enciende

Cuando la batería está completamente descargada, el dispositivo no se enciende. Cargue la batería por completo antes de encender el dispositivo.

La batería no se carga correctamente (para cargadores aprobados por Samsung)

- Asegúrese de que el cargador esté conectado correctamente.
- Visite un centro de Servicio de Atención Técnica (SAT) de Samsung y haga reemplazar la batería.

Otro dispositivo Bluetooth no puede localizar su dispositivo

- Asegúrese de que su dispositivo esté en modo de asociación Bluetooth.
- Restablezca el dispositivo y busque dispositivos Bluetooth.
- Asegúrese de que su dispositivo y el otro dispositivo Bluetooth se encuentren dentro del rango de conexión Bluetooth (10 m).

Si las sugerencias anteriores no solucionan el problema, contacte con un Centro de servicios de Samsung.

No se localiza otro dispositivo Bluetooth

- Asegúrese de que el dispositivo con el cual desee conectarse admita la función inalámbrica Bluetooth.
- Asegúrese de que el dispositivo y el otro dispositivo Bluetooth se encuentren dentro del rango Bluetooth máximo (10 m).

La conexión Bluetooth se desconecta a menudo

- Si hay obstáculos entre los dispositivos, la distancia de operación podría reducirse.
- Asegúrese de que el dispositivo y el otro dispositivo Bluetooth se encuentren dentro del rango Bluetooth máximo (10 m).
- Al utilizar el dispositivo con otros dispositivos Bluetooth, la conexión puede verse afectada por ondas electromagnéticas. Use el dispositivo en entornos con la menor cantidad posible de dispositivos inalámbricos presentes.

No se puede oír a otros hablar

- Ajuste el volumen del dispositivo.
- Ajuste el volumen del dispositivo conectado si no puede oír los sonidos en el dispositivo en el volumen máximo.

Ecos de sonido durante una llamada

Ajuste el volumen pulsando el botón de volumen o trasládese a otra área.

Los demás no pueden oírle durante una llamada

- Asegúrese de no estar tapando el micrófono incorporado.
- Asegúrese de que el micrófono esté cerca de su boca.

La calidad de audio es deficiente

- Los servicios de red de telefonía móvil pueden estar desactivados debido a problemas con la red del proveedor de servicios. Asegúrese de mantener el dispositivo alejado de las ondas electromagnéticas.
- Asegúrese de que el dispositivo y el otro dispositivo Bluetooth se encuentren dentro del rango Bluetooth máximo (10 m).

El dispositivo funciona de forma diferente a la que se describe en el manual

- Las funciones disponibles pueden variar en función del dispositivo conectado.
- Algunas funciones no se pueden utilizar cuando dos dispositivos están conectados con el dispositivo al mismo tiempo.

La batería se agota más rápido que cuando se adquirió

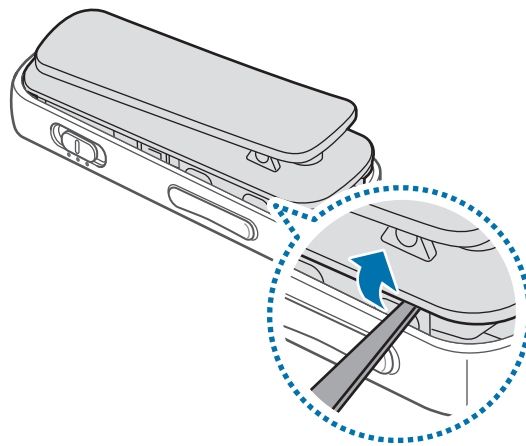
- Cuando se expone el dispositivo o la batería a temperaturas muy altas o muy bajas, la carga útil puede verse reducida.
- La batería es consumible y la carga útil se hace más corta en el tiempo.

Retirar la batería (no extraíble)



- Estas instrucciones son solo para su proveedor de servicios o un agente de reparación autorizado.
- La garantía no cubre daños o fallos provocados por la extracción no autorizada de la batería.
- Para retirar o reemplazar la batería, póngase en contacto con su proveedor de servicios o con un técnico de reparación autorizado.

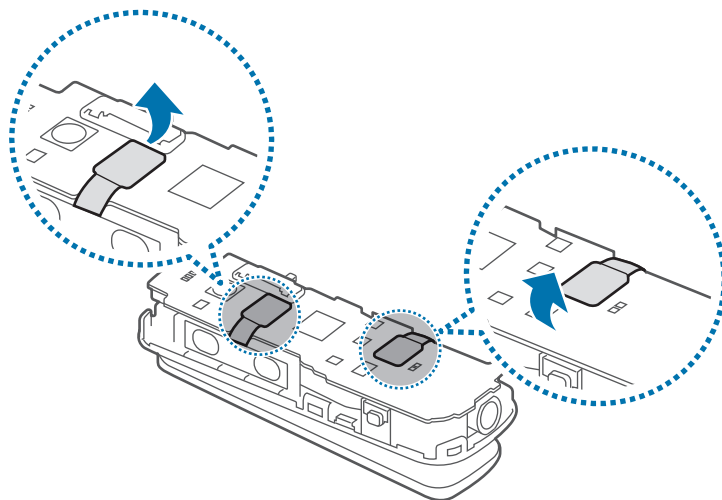
- 1 Inserte una herramienta estrecha y plana en el espacio entre la tapa y el cuerpo del dispositivo. A continuación, utilice la herramienta para separarlos como se muestra en la imagen de abajo.



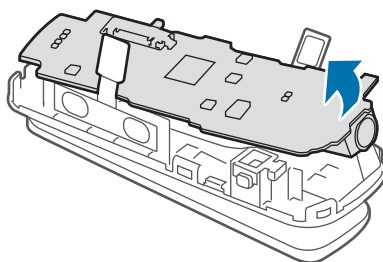
- Tenga cuidado al insertar la herramienta para evitar daños en los componentes internos del dispositivo.

- 2 Cuando separe la tapa, póngala a un lado.

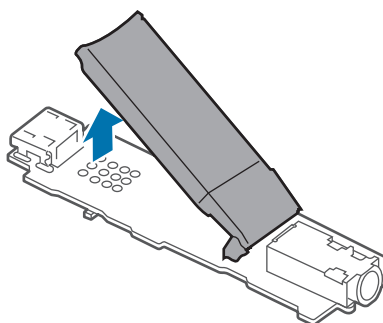
3 Desconecte los conectores de la batería.



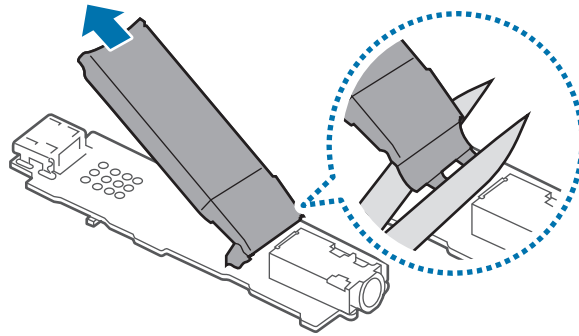
4 Retire la placa de circuito desprendiéndola del cuerpo del dispositivo y colóquela boca abajo sobre una superficie plana.



5 Presione hacia abajo en el puerto de carga y tire de la batería hacia arriba para liberarla de la placa de circuito.



- 6 Extraiga la batería de la placa de circuito y corte las conexiones como se muestra en la imagen de abajo.



- 7 Retire la batería.

Declaración de conformidad

Detalles del producto

Para el siguiente

Producto : Dongle Bluetooth

Modelo(s) : EO-RG920



Declaración y estándares aplicables

Por la presente declaramos que el producto mencionado anteriormente cumple con todos los requisitos básicos descritos en la Directiva (1999/5/EC) para R&TTE, en aplicación de:

Seguridad	EN 60950-1 : 2006 + A11 : 2009 + A1 : 2010 + A12 : 2011
SAR	EN 50566 : 2013 EN 62479 : 2010
EMC	EN 301 489-01 V1.9.2 (2011-09) EN 301 489-17 V2.2.1 (2012-09)
Radio	EN 300 328 V1.8.1 (2012-06)

y la Directiva (2011/65/EU) sobre restricciones a la utilización de determinadas sustancias peligrosas en aparatos eléctricos y electrónicos mediante la aplicación de EN 50581:2012.

Representante en la UE

Samsung Electronics Euro QA Lab.
Blackbushe Business Park
Saxony Way, Yateley, Hampshire
GU46 6GG, UK



2015.01.27

Stephen Colclough / Representante UE

(Lugar y fecha de emisión)

(Nombre y firma de la persona autorizada)

* Esta dirección no es la del Centro de Servicio Técnico de Samsung. Si precisa la dirección o el número de teléfono del Centro de Servicio Técnico de Samsung, consulte la tarjeta de garantía o póngase en contacto con el establecimiento en el que compró el producto.

Resumen Declaración de Conformidad

SAMSUNG declara, bajo su responsabilidad, que este aparato cumple con lo dispuesto en la Directiva 99/05/CE del Parlamento Europeo y del Consejo de 9 de Marzo de 1999, trasladada a la legislación española mediante el Real Decreto 1890/2000, de 20 de Noviembre.

Copyright

Copyright © 2015 Samsung Electronics

Este manual se encuentra protegido por las leyes internacionales de derechos de autor.

No está permitido reproducir, distribuir, traducir o transmitir ninguna parte de este manual de ningún modo o por ningún medio, ya sea electrónico o mecánico, incluyendo fotocopias, grabaciones o almacenamiento en cualquier sistema de almacenamiento y recuperación de información, sin el permiso previo por escrito de Samsung Electronics.

Marcas comerciales

- SAMSUNG y el logotipo de SAMSUNG son marcas comerciales registradas de Samsung Electronics.
- Bluetooth® es una marca comercial registrada de Bluetooth SIG, Inc. en todo el mundo.
- Las demás marcas comerciales y derechos de autor son propiedad de sus respectivos dueños.

Fontos tudnivalók

Kérjük, hogy a biztonságos és helyes használat érdekében a készülék használatbavétele előtt figyelmesen olvassa el ezt a kézikönyvet.

- A leírások a készülék alapértelmezett beállításain alapulnak.
- A képek az adott termék esetében eltérhetnek. A tartalom előzetes értesítés nélkül változhat.

Az utasításban szereplő jelölések



Figyelmeztetés: olyan helyzetekre hívja fel a figyelmet, amelyek az Ön vagy mások sérülését okozhatják



Vigyázat: olyan helyzetek, amelyek a készülék vagy más eszközök károsodását okozhatják



Megjegyzés: jegyzetek, használati tanácsok és kiegészítő információk

Kezdeti lépések

A Level Link bemutatása

A Level Link fogadási és küldési módban működik. Fogadási módban a Level Linkhez fülhallgatót csatlakoztathat, és Bluetooth-fülhallgatóként használhatja együtt a Bluetooth-t támogató eszközökkel, például okostelefonokkal vagy táblagépekkel. Küldési módban a készüléket külső modulként használhatja számítógépekhez, tévékhez, Bluetooth-fülhallgatókhoz stb.

Fogadási módban az alábbi funkciók állnak rendelkezésre:

- Az S Voice indítása
- Hívások fogadása vagy befejezése
- Multimédiás fájlok vezérlése

Küldési módban a kapcsolódó multimédiás eszköz hangja játszható le.

Az értékesítési doboz tartalma

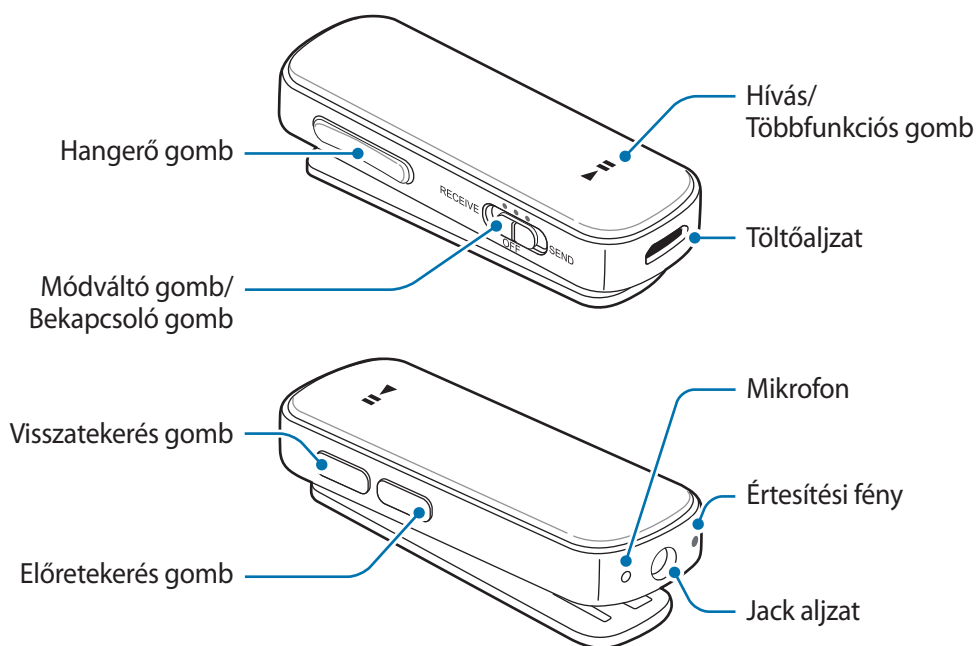
Ellenőrizze, hogy a termék doboza tartalmazza-e a következő elemeket:

- Készülék
- Fülhallgató
- USB-kábel
- Audiokábel
- Rövid kezelési útmutató



- A készülékhez kapott kiegészítők és a rendelkezésre álló tartozékok régióként és szolgáltatótól függően eltérőek lehetnek.
- A mellékelt tartozékok kifejezetten a készülékhez lettek tervezve, és más készülékekkel nem kompatibilisek.
- A megjelenés és a műszaki adatok előzetes értesítés nélkül változhatnak.
- További tartozékokat a Samsung helyi forgalmazójától vásárolhat. Vásárlás előtt győződjön meg róla, hogy azok kompatibilisek a készülékkel.
- Kizárólag a Samsung által jóváhagyott kiegészítőket használjon. A jóvá nem hagyott tartozékok használata során olyan teljesítményromlás és meghibásodások történhetnek, amelyekre nem vonatkozik a garancia.
- Az elérhető kiegészítők listája változhat, és teljes mértékben a gyártó cégektől függ. Az elérhető kiegészítőkkal kapcsolatos további információkért tekintse meg a Samsung honlapját.

A készülék elrendezése



Gombok és funkciók

Név	Művelet
Módváltó gomb/ Bekapcsoló gomb	<ul style="list-style-type: none"> Húzza balra a fogadási mód aktiválásához, húzza jobbra a küldési mód aktiválásához. A készülék kikapcsolásához húzza az OFF állásba.
Hívás/ Többfunkciós gomb	<ul style="list-style-type: none"> Az S Voice elindításához fogadási módban tartsa nyomva 1 másodpercig ezt a gombot. Fogadási módban megnyomva hívást fogadhat vagy fejezhet be. Fogadási módban hosszan megnyomva hívást utasíthat el. Fogadási módban hosszan megnyomva a hívásokat a Level Linkről átadhatja a másik készülék számára, illetve fordítva. Fogadási módban megnyomva lejátszhat, illetve leállíthat multimédiás fájlokat. Fogadási módban vagy küldési módban tartsa lenyomva 3 másodpercig Bluetooth-párosítási módba kapcsoláshoz.
Hangerő gomb	<ul style="list-style-type: none"> Fogadási módban, hívás közben megnyomva a hangerő beállítására használhatja. Fogadási módban, multimédiás fájlok lejátszása közben megnyomva a hangerő beállítására használhatja.
Visszatekerés gomb/Előretekerés gomb	<ul style="list-style-type: none"> Fogadási módban, lejátszás közben megnyomva az előző, illetve következő multimédiás fájlt játszhatja le. Fogadási módban, lejátszás közben hosszan megnyomva gyorsan vissza vagy előre tekerheti a multimédiás fájlt.

Állapotjelző

Állapot	Szín
Bluetooth-párosítási mód	<ul style="list-style-type: none"> Villogó piros, zöld és kék
Bekapcsolás vagy módok aktiválása	<ul style="list-style-type: none"> 3-szor villogó kék
Kikapcsolás	<ul style="list-style-type: none"> 3-szor villogó piros
Bejövő hívás	<ul style="list-style-type: none"> Villogó kék

Az akkumulátor töltése

A Level Link első használata előtt, vagy mielőtt újra használná a Level Linket egy hosszabb kikapcsolt időszakot követően, töltsse fel az akkumulátort.

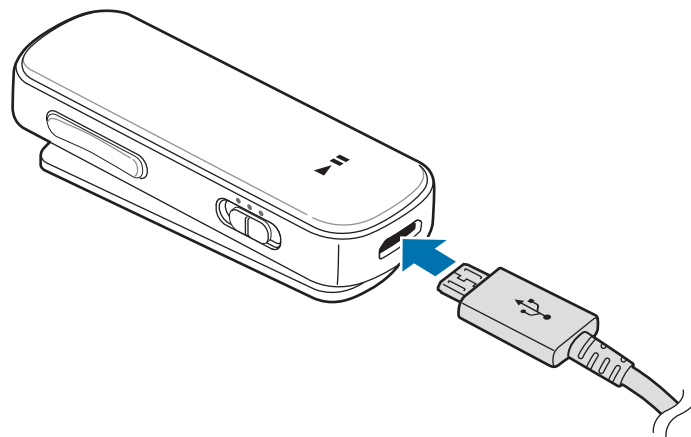


Kizárólag Samsung által jóváhagyott töltőket, akkumulátorokat, és kábeleket használjon. A nem jóváhagyott töltők és kábelek használata az akkumulátor robbanását vagy a fülhallgató sérülését okozhatja.



Amennyiben az akkumulátor teljesen lemerült, a fülhallgató a töltő csatlakoztatását követően nem kapcsolható be azonnal. A fülhallgató bekapcsolása előtt hagyja néhány percre tölteni az akkumulátort.

Csatlakoztassa a készüléket számítógéphez vagy az USB töltő adapterhez az USB-kábel használatával.



A töltő helytelen csatlakoztatása a készülék súlyos sérülését okozhatja. A helytelen használatból eredő károokra a garancia nem terjed ki.



- A készülék töltés közben is használható, ám ilyenkor tovább tarthat az akkumulátor teljes feltöltése.
- Töltés közben a készülék felforrósodhat. Ez normális jelenség, és nincs hatással a készülék élettartamára vagy teljesítményére. Amennyiben az akkumulátor a szokásosnál jobban felmelegszik, a töltő megszakíthatja a töltési műveletet.
- Ha a készülék nem töltődik megfelelően, vigye el a készüléket és a töltőt egy Samsung-márkaszervizbe.

Amikor teljesen feltöltődött, csatlakoztassa le a készüléket a töltőről. Először a készülékről csatlakoztassa le a töltőt, majd húzza ki az elektromos csatlakozó aljzatból.



Energiatakarékossági okokból használaton kívül húzza ki a töltőt. A töltőnek nincs bekapcsológombja, ezért energiatakarékossági okokból az áramellátás megszüntetéséhez ki kell húzni az elektromos csatlakozóból. Használat során a töltőnek az elektromos csatlakozó közelében és könnyen elérhetőnek kell lennie.

Az akkumulátor töltöttségi szintjének ellenőrzése

Tartsa lenyomva 1 másodpercig egyidejűleg a Hangerő fel gombot és a többfunkciós gombot. Az értesítési fény a töltés állapotának megfelelően háromszor, eltérő színben villan.

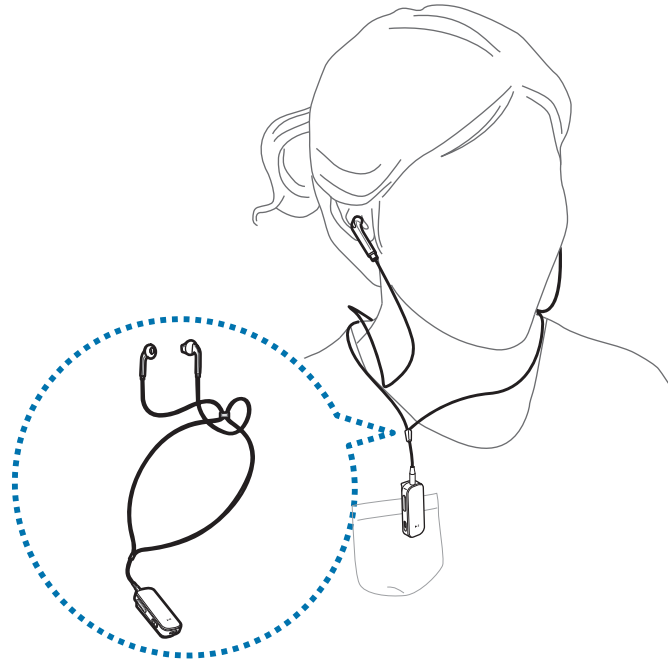
Állapot	Szín
Kevesebb, mint 30%	• Piros
30-60%	• Sárga
Több, mint 60%	• Zöld

A készülék és a fülhallgató viselése

Csatlakoztassa a csomag részeként megkapott fülhallgatót a Level Linkhez, és viselje őket a nyaka körül.

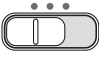
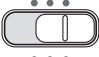

- 1 A fülhallgatót a Level Link audioaljzatába csatlakoztassa.
- 2 A fülhallgató vezetékén található rögzítő segítségével egy elég nagy hurkot formázzon ahhoz, hogy a feje beférjen.

- 3 A Level Linket csíptesse a ruhájára.
- 4 Viselje a fülhallgatót a nyaka körül, és dugja be a fülébe a fül dugókat.



Ha a készüléket vezetékes fülhallgatóval használja, legyen óvatos. A nyaka köré tekeredő fülhallgató fulladást okozhat.

A készülék be- és kikapcsolása

-  : fogadási mód aktiválása.
-  : küldési mód aktiválása.
-  : a készülék kikapcsolása.



Ha olyan helyen tartózkodik, ahol a vezeték nélküli eszközök használata korlátozva van – például repülőgépen vagy kórházban –, tartsa be a felhatalmazott személyzet által kihelyezett figyelmeztetéseket és az egyéb utasításokat.

A készülék használata

Bluetooth

A Bluetooth technológia

A Bluetooth egy vezeték nélküli technológiai szabvány, amely a 2,4 GHz-es frekvencián csatlakoztat egymáshoz különböző, kis távolságra lévő eszközöket. A segítségével a Bluetooth-t támogató más eszközökhöz, például mobilkészülékekhez, számítógépekhez, nyomtatókhoz és más otthoni digitális berendezésekhez lehet csatlakozni kábelek használata nélkül.

A Bluetooth használatával kapcsolatos megjegyzések

- Ha problémák merülnek fel a készülék más készülékekhez történő csatlakoztatásakor, helyezze egymáshoz közelebb a készülékeket.
- Győződjön meg róla, hogy a készülék és a másik Bluetooth-eszköz a Bluetooth-kapcsolat (10 m) hatótávolságán belül vannak egymástól. A környezet és a használt eszközök függvényében a távolság változhat.
- Biztosítsa, hogy ne legyenek árnyékoló tárgyak a fülhallgató és a csatlakoztatott eszköz között, beleértve az emberi testeket, falakat, sarkokat, vagy kerítéseket.
- Ne érintse meg a csatlakoztatott eszköz Bluetooth-antennáját.
- A Bluetooth bizonyos ipari, tudományos, orvosi és gyengeáramú berendezésekkel azonos frekvenciákat is használ és az ilyen típusú berendezések közelében létesített kapcsolat esetén interferencia léphet fel.
- Egyes eszközök, főleg a Bluetooth SIG által nem tesztelt vagy nem jóváhagyott eszközök, inkompatibilisek lehetnek a fülhallgatóval.
- Ne használja a Bluetooth funkciót törvénytelen célokra (például illegális másolatok vagy fájlok, vagy kommunikációk követésére kereskedelmi célból).

Csatlakozás más eszközökhöz



A Level Link és a csatlakozó audioeszközök közötti hangminőség és használható távolság a Bluetooth-t támogató adott hangeszköztől függően eltérő lehet.

Csatlakoztatás fogadási módban

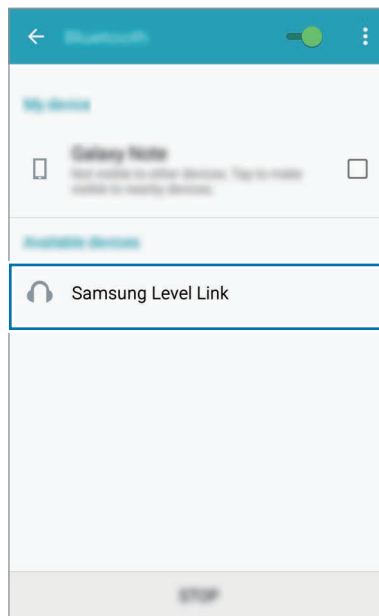
Amikor a Level Link Bluetooth-t támogató eszközhöz csatlakozik, fogadhatja a bejövő hívásokat, valamint zenét hallgathat. Első bekapcsoláskor a Level Link Bluetooth-párosítási módba kapcsol.



- Amikor először párosítja a Level Linket más eszközökkel Bluetooth révén, a Level Link automatikusan csatlakozik a párosított eszközökhöz. Ha a Level Linknek nem sikerül csatlakoznia, Bluetooth-párosítási módba lép.
- A Level Link legfeljebb nyolc eszköz eszközükeit képes tárolni. Ha a Level Link korábban már egynél több eszközhöz csatlakozott, akkor a legutoljára párosított eszközhöz csatlakozik.

- 1 Level Link** A fogadási mód aktiválásához csúsztassa balra a Mód gombot.
- 2 Level Link** Bluetooth-párosítási módba való belépéshez tartsa nyomva mintegy 3 másodpercig a többfunkciós gombot.
- 3 Másik készülék** Kapcsolja be a Bluetooth funkciót, és keressen Bluetooth-eszközöket.
További információkért olvassa el a másik eszköz felhasználói kézikönyvét.

4 **Másik készülék** A listában érintse meg a **Samsung Level Link** lehetőséget.



5 **Level Link** Csatlakoztassa a fülhallgatót a Level Linkhez.

Vagy csatlakoztassa a Level Linket audiokábelrel egy audiokimeneti eszköz kiegészítő bemeneti aljzatához.



Ha ebben a módban a Level Linket audiokábelrel tévéhez vagy számítógéphez csatlakoztatja kárt tehet a Level Link készülékben.

Csatlakoztatás küldési módban

Készülékét az audiokábelrel multimédiás lejátszóhoz csatlakoztathatja. Hallgathat multimédiás fájlokat másik audioeszközön, például Bluetooth-fejhallgatón. Első bekapcsoláskor a Level Link Bluetooth-párosítási módba kapcsol.



- Amikor először párosítja a Level Linket más eszközökkel Bluetooth révén, a Level Link automatikusan csatlakozik a párosított eszközökhöz. Ha a Level Linknek nem sikerül csatlakoznia, Bluetooth-párosítási módba lép.
- A Level Link legfeljebb nyolc eszköz adatait képes tárolni. Ha a Level Link korábban már egynél több eszközhöz csatlakozott, akkor a legutoljára párosított eszközhöz csatlakozik.

- 1 Level Link** A küldési mód aktiválásához csúsztassa jobbra a Mód gombot.
- 2 Level Link** Bluetooth-párosítási módba való belépéshez tartsa nyomva mintegy 3 másodpercig a többfunkciós gombot.
- 3 Level Link** A Level Link készüléket helyezze a párosított audioeszközhöz 30 cm-nél közelebb. A Level Link és az audioeszköz most Bluetoothon keresztül csatlakoznak. Ha a kapcsolódás nem sikerül, kapcsolja ki az audioeszközt, majd kapcsolja be újra. Ezután ismétlje meg a fenti lépéseket.
- 4** Csatlakoztassa az audiokábelt a Level Link audioaljzatába. Ezután csatlakoztassa az audiokábel másik végét a multimédiás lejátszó hangkimeneti aljzatába.



- A Bluetooth révén történő csatlakoztatás módja a kapcsolódó készülékektől függően eltérő lehet. További információkért lásd a csatlakoztatott készülék felhasználói kézikönyvét.
- Amikor a Level Link küldési módban tévéhez csatlakozik, előfordulhat, hogy a hangok nem lesznek szinkronban. Ajánlott a Level Linket olyan tévéhez csatlakoztatni, amely támogatja az aptX Low Latency kodeket.
- Ha Level Link készüléket multimédiás lejátszóval használja, a váratlan, nagy hangerejű hangok megelőzése érdekében az audiokábel csatlakoztatása előtt vegye le a multimédiás lejátszó hangerejét.
- A csatlakozó multimédiás lejátszó hangerejétől függően a hangerő hirtelen eséseit, illetve zajt tapasztalhat. Ennek elkerüléséhez állítsa be megfelelően a multimédiás lejátszó hangerejét.

Más eszközök csatlakoztatása

A Level Link fogadási módban vagy küldési módban legfeljebb két eszközhöz képes csatlakozni Bluetooth révén.

1 Fogadási módban vagy küldési módban csatlakoztassa a Level Linket az első eszközhöz.

2 A második eszközhöz Bluetooth révén az első eszköz csatlakoztatásához használt módszerrel csatlakoztassa a Level Linket.



- Fogadási módban, ha a Level Link nem jelenik meg az érzékelt eszközök listájában, a Bluetooth-párosítási módba való belépéshez tartsa nyomva a többfunkciós gombot mintegy 3 másodpercig.
- Küldési módban a Level Link támogatja az aptX low-latency kodeket, amikor egy audioeszközhöz csatlakozik. Ha két audioeszköz csatlakozik egyidejűleg a Level Linkhez, az aptX kodek nem támogatott, és elképzelhető, hogy a video- és a hangkimenet nem lesz szinkronban.
- Küldési módban a Level Link és az egyéb eszközök használati távolsága csökkenhet.

Más eszközök ismételt csatlakoztatása és leválasztása

A készülékek újracsatlakoztatása

Ha a Level Link a készülékek közti távolság miatt lekapcsolódik az audioeszköztől, vigye egymáshoz közelebb a készülékeket, és az újbóli párosításhoz nyomja meg a többfunkciós gombot. Vagy: használhatja az audioeszköz Bluetooth menüjét is a készülékek párosításához.

A készülékek leválasztása

A Level Link az audioeszköztől való leválasztása érdekében kapcsolja ki a készüléket, vagy szüntesse meg a készülékek párosítását. Ha a két készüléket audiokábelrel csatlakoztatta, húzza ki a kábelt mindkét készülékből.

A fogadási és küldési mód használata

Fogadási módban elindíthatja az S Voice alkalmazást, fogadhatja a bejövő hívásokat, illetve multimédiás fájlokat játszhat le. Ebben a módban a Level Linket fülhallgatóval használhatja, illetve a Level Linket audiokábel használatával audioeszközhöz csatlakoztathatja.

Küldési módban a kapcsolódó audioeszköz segítségével hallgathatja a multimédiás lejátszó hangját.



- Az elérhető funkciók a csatlakoztatott az eszköztől függően változhatnak. Ha a Level Link egyidejűleg két eszközhöz csatlakozik, úgy előfordulhat, hogy egyes funkciók nem elérhetőek.
- Egyes funkciók csak akkor elérhetőek, amikor a Level Link a kéz nélküli profil (Hands-Free Profile, HFP) révén csatlakozik az eszközhöz.
- A mikrofon helye a Level Link viselési módjától függően változik. A Level Link helyzete befolyásolhatja a hívások közbeni hangminőséget.

Az S Voice indítása

Nyomja le a többfunkciós gombot mintegy 1 másodpercig. Ha a csatlakoztatott készülék támogatja az S Voice alkalmazást, használhatja azt a Level Linken keresztül.

Hívások fogadása és elutasítása

Hívás fogadása

A kapcsolódó készülékre érkező hívások fogadásához nyomja le a Hívás gombot.

Hívás elutasítása

A kapcsolódó készülékre érkező hívások elutasításához nyomja le hosszan a Hívás gombot.

Hívás közbeni lehetőségek használata

A hangerő beállítása

Hívás közben a hangerő beállításához nyomja meg a Hangerő gombot.

Hangkimenet átváltása

A hívások a Level Linkről a kapcsolódó készülékre történő átkapcsolásához nyomja le hosszan a Hívás gombot. Előfordulhat, hogy ez a funkció a kapcsolódó készüléktől függően nem érhető el.

Hívás befejezése

Hívás befejezéséhez nyomja meg a Hívás gombot.

Multimédiaifájlok lejátszása

Multimédiás fájlokat fogadási és küldési módban is lejátszhat. Az elérhető funkciók a használt módtól függően változhatnak.

Multimédiás fájl lejátszása és leállítása

A legutoljára lejátszott multimédiás fájl a csatlakozó eszközön történő lejátszásához nyomja meg a többfunkciós gombot.

A lejátszás szüneteltetéséhez nyomja meg a többfunkciós gombot. A lejátszás folytatásához nyomja meg újra a többfunkciós gombot.

Ugrás az előző vagy következő multimédiás fájlra

Lejátszás közben az előző vagy következő fájlra ugráshoz nyomja le a REW, illetve az FF gombot.

A multimédiás fájl gyors vissza- vagy előretekerése

A multimédiás fájl lejátszás közbeni gyors vissza- vagy előretekeréséhez nyomja le hosszan a REW, illetve az FF gombot.

A hangerő beállítása

A hangerő beállításához nyomja meg a Hangerő gombot.



- Amikor a Level Link két eszközhöz kapcsolódik, bármelyik eszközről lejátszhat multimédiás fájlokat. Ha más eszközről szeretne multimédiás fájlt lejátszani, először szüneteltesse a másik eszközön a lejátszást.
- Miközben az egyik eszközről multimédiás fájlt játszik le, továbbra is fogadhat hívásokat a másik eszközről.
- Ha az audiokábel és a küldési módban csatlakozó hangeszköz teljesítményében különbözőségek vannak, a Level Link hangereje változhat.

Gyári adatok visszaállítása

Amikor a Level Linket Bluetoothon keresztül más eszközhöz csatlakoztatja, a másik eszköz eltárolja a Level Link adatait, például Bluetooth-címét és eszköztípusát. A Level Link kapcsolódási adatainak törléséhez lépjen Bluetooth-párosítási módba, s ehhez tartsa lenyomva mintegy 3 másodpercig a többfunkciós gombot. Ezután tartsa egyszerre lenyomva a REW, FF és a többfunkciós gombot mintegy 3 másodpercig.

Függelék

Hibaelhárítás

Mielőtt Samsung-márkaszervezhez fordulna, próbálja meg a következő megoldásokat. Bizonyos helyzetek nem fordulhatnak elő az Ön készülékével.

A készülék nem kapcsol be

Amikor az akkumulátor teljesen le van merülve, akkor a készülék nem kapcsol be. A készülék bekapcsolása előtt töltsse fel teljesen az akkumulátort.

Az akkumulátor nem töltődik megfelelően (Samsung által jóváhagyott töltővel)

- Ellenőrizze, hogy a töltő megfelelően van-e csatlakoztatva.
- Keressen fel egy Samsung-márkaszervert, és cseréltesse ki az akkumulátort.

Egy másik Bluetooth-eszköz nem találja az Ön készülékét

- Győződjön meg róla, hogy a készüléke Bluetooth-párosítási módban van.
- Indítsa újra a készüléket, és keresse meg a Bluetooth-eszközöket.
- Győződjön meg róla, hogy a készülék és a másik Bluetooth-eszköz a Bluetooth-kapcsolat (10 m) hatótávolságán belül vannak egymástól.

Amennyiben a fenti tanácsok nem oldják meg a problémát, forduljon Samsung-márkaszervezhez.

Egy másik Bluetooth-eszköz nem található

- Győződjön meg róla, hogy a csatlakoztatni kívánt készülék támogatja a Bluetooth kapcsolatot.
- Biztosítsa, hogy a készülék és a másik Bluetooth készülék a megengedett Bluetooth tartományon belül legyen (10 m).

A Bluetooth-kapcsolat gyakran megszakad

- Ha zavaró tárgyak vannak a készülékek között, a működési távolság csökkenhet.
- Biztosítsa, hogy a készülék és a másik Bluetooth készülék a megengedett Bluetooth tartományon belül legyen (10 m).
- Amikor a készüléket más Bluetooth-eszközökkel együtt használja, a kapcsolatra az elektromágneses hullámok hatással lehetnek. Használja a készüléket olyan környezetben, ahol kevesebb vezeték nélküli eszköz működik.

Nem hallja mások beszédét

- Állítsa be megfelelően a készülék hangerejét.
- Amikor a készüléken egyáltalán nem hall semmit, akkor állítsa be a hangerőt a csatlakoztatott készüléken.

Hívás közben a hang visszhangos

Állítsa be megfelelően a hangerőt a Hangerő gomb megnyomásával, vagy változtasson helyet.

A másik fél nem hallja az Ön hangját hívás közben

- Ügyeljen, hogy ne takarja el a beépített mikrofont.
- Tartsa a mikrofont közel a szájához.

Gyenge a hangminőség

- Lehetséges, hogy a vezeték nélküli szolgáltatások a szolgáltató hálózatának meghibásodása miatt nem érhetőek el. Tartsa távol a készüléket az elektromágneses hullámoktól.
- Biztosítsa, hogy a készülék és a másik Bluetooth készülék a megengedett Bluetooth tartományon belül legyen (10 m).

A készülék nem a kézikönyv leírásának megfelelően működik

- Az elérhető funkciók a kapcsolódó eszköztől függően eltérhetnek.
- Egyes funkciók nem használhatók, amikor a készülékhez egyszerre két eszköz is csatlakozik.

Az akkumulátor gyorsabban lemerül, mint új korában

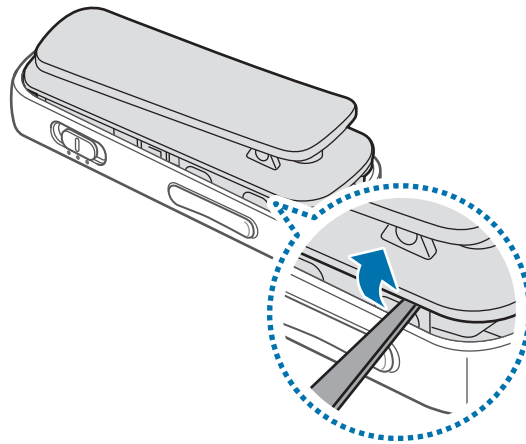
- Amikor a készülék vagy az akkumulátor nagyon hideg vagy meleg időjárási viszonyoknak van kitéve, a hasznos töltés csökkenhet.
- Az akkumulátor fogyóeszköz, a hasznos töltés idővel csökken.

Az akkumulátor eltávolítása (nem eltávolítható típusnál)



- Ezek az utasítások csak a szolgáltató és a szakszerviz részére szólnak.
- Az akkumulátor nem megfelelő módon történő eltávolításával okozott sérülésre vagy meghibásodásra a garancia nem terjed ki.
- Az akkumulátor eltávolítása vagy cseréje érdekében vegye fel a kapcsolatot a szakszervizzel.

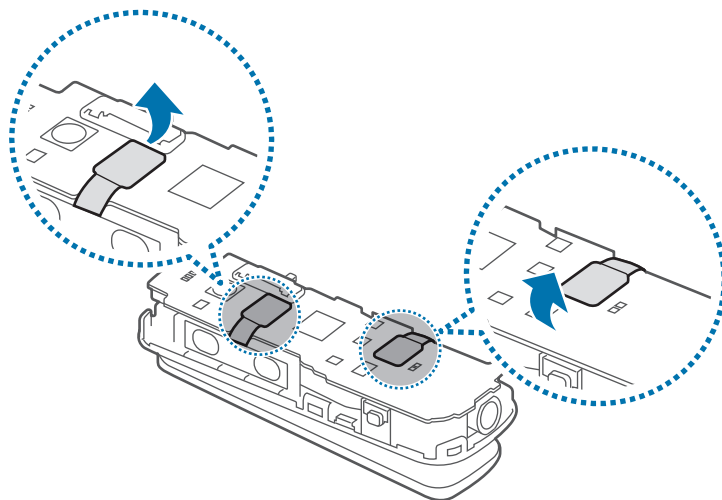
- 1 Helyezzen vékony, lapos eszközt a fedél és a készülék háza közti részbe.
Ezután az eszközzel a lenti ábrán látható módon feszítse szét őket.



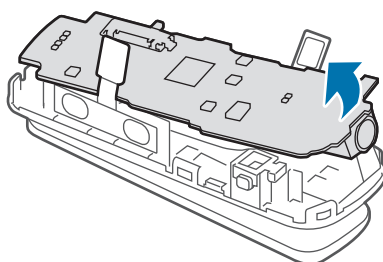
- Ügyeljen az eszköz beillesztésekor, nehogy megsértse a készülék belső alkatrészeit.

- 2 Amikor a fedelet leválasztotta, tegye félre.

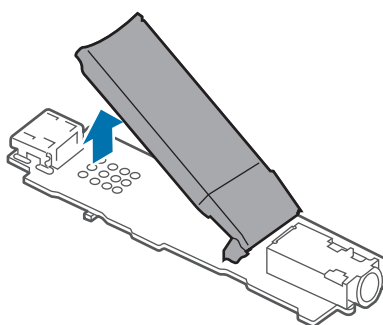
3 Húzza ki az akkumulátor csatlakozóit.



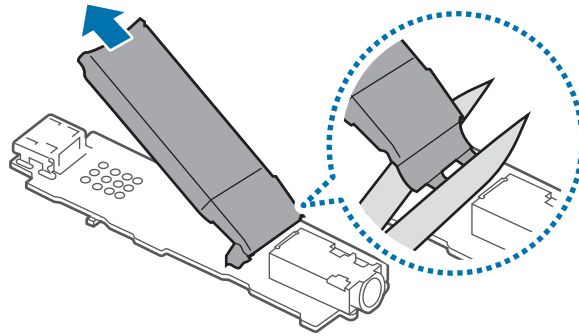
4 A készülék házától elválasztva távolítsa el az áramköri lapot, és tegye egyenes felületre.



5 Az áramköri laptól való elválasztás érdekében nyomja lefelé a töltőportot, és húzza felfelé az akkumulátort.



- 6 Húzza el az akkumulátort az áramköri laptól, és a lenti ábrán látható helyen vágja el a vezetékeket.



- 7 Távolítsa el az akkumulátort.

MEGFELELŐSÉGI NYILATKOZAT

Termék részletei

Termék : Bluetooth-adapter

Típus(ok) : EO-RG920



Alkalmazható tanúsítványok

A lenti dokumentum igazolja, hogy a készülék teljes egészében kompatibilis az R&TTE irányelvekkel (1999/5/EC) és az abban foglalt kritériumokkal.

BIZTONSÁGI	EN 60950-1 : 2006 + A11 : 2009 + A1 : 2010 + A12 : 2011
SAR	EN 50566 : 2013 EN 62479 : 2010
EMC	EN 301 489-01 V1.9.2 (2011-09) EN 301 489-17 V2.2.1 (2012-09)
TÁVKÖZLÉSI	EN 300 328 V1.8.1 (2012-06)

továbbá az egyes veszélyes anyagok elektromos és elektronikus berendezésekben való alkalmazásának korlátozásáról szóló 2011/65/EU irányelvben foglaltaknak és az EN 50581:2012 szabványnak.

Európai képviselő

Samsung Electronics Euro QA Lab.
Blackbushe Business Park,
Saxony Way, Yateley, Hampshire
GU46 6GG, UK



2015.01.27

Stephen Colclough / Európai képviselő

(A nyilatkozattétel helye és kelte) (A képviseletre jogosult személy(ek) neve, beosztása cégszerű aláírás)

* Ez nem a Samsung Szervíz Központ címe. A Samsung Szervíz Központ telefonszámát vagy címét a garancia jegyen találja vagy a terméket eladó kereskedőtől tudhatja meg.

Szerzői jog

Copyright © 2015 Samsung Electronics

Ezt az útmutatót nemzetközi szerzői jogi törvények védik.

A Samsung Electronics előzetes írásbeli engedélye nélkül a használati útmutató egyetlen része sem reprodukálható, terjeszthető, fordítható le vagy küldhető el semmilyen formában és semmilyen elektronikus vagy mechanikus eszközzel, beleértve a fénymásolást, a hangfelvételt, a különféle adattároló eszközökön való tárolást és az azokról történő lekérést.

Védjegyek

- A SAMSUNG név és a SAMSUNG embléma a Samsung Electronics bejegyzett védjegye.
- A Bluetooth® a Bluetooth SIG, Inc. világszerte bejegyzett védjegye.
- Az összes többi védjegy és szerzői jog a megfelelő tulajdonosok tulajdona.

Przeczytaj najpierw

Aby bezpiecznie i prawidłowo korzystać z tego urządzenia, należy uważnie przeczytać tę instrukcję.

- Przedstawione opisy bazują na ustawieniach domyślnych urządzenia.
- Ilustracje użyte w niniejszej instrukcji mogą się różnić od rzeczywistego produktu. Treść może ulec zmianie bez powiadomienia.

Ikony pomocnicze



Ostrzeżenie: sytuacje, które mogą spowodować zranienie użytkownika lub innych osób



Przeestroga: sytuacje, które mogą spowodować uszkodzenie urządzenia lub innego sprzętu



Uwaga: wskazówki, uwagi i dodatkowe informacje

Wprowadzenie

Informacje o urządzeniu Level Link

Urządzenie Level Link obsługuje tryb odbierania i tryb wysyłania. W trybie odbierania do urządzenia Level Link można podłączyć słuchawki, aby użyć ich jako zestawu słuchawkowego Bluetooth do urządzeń obsługujących tę technologię, takich jak smartfony czy tablety. Tryb wysyłania umożliwia użycie urządzenia jako klucza, który łączy się z komputerami, telewizorami, zestawami słuchawkowymi Bluetooth i wieloma innymi urządzeniami.

W trybie odbierania dostępne są następujące funkcje:

- Uruchamianie aplikacji S Voice
- Odbieranie lub kończenie połączeń
- Sterowanie plikami multimedialnymi

W trybie wysyłania można odtwarzać dźwięk z podłączonego urządzenia multimedialnego.

Zawartość opakowania

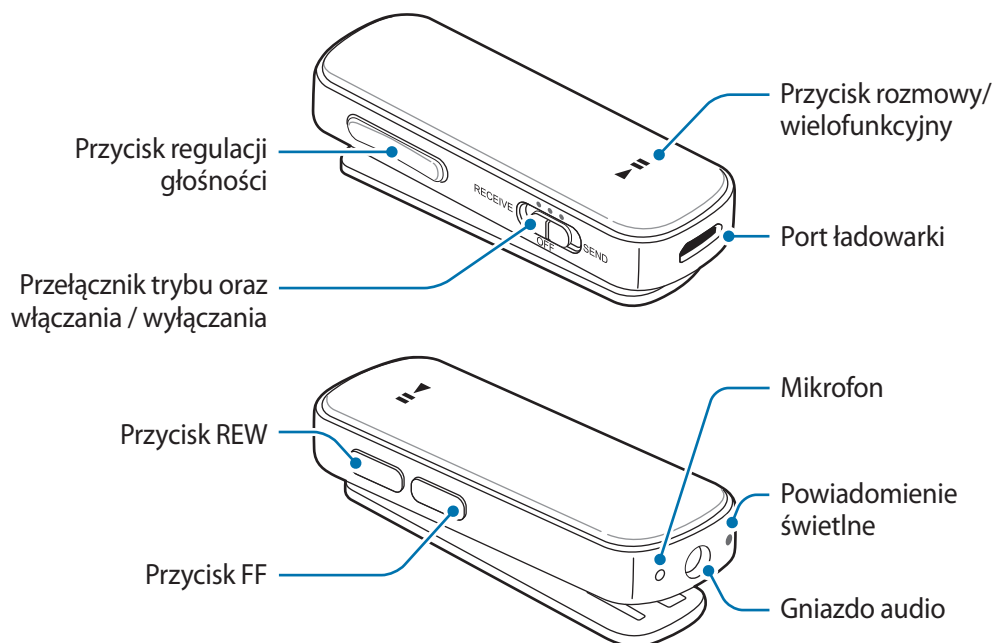
Należy sprawdzić, czy pudełko z produktem zawiera następujące elementy:

- Urządzenie
- Słuchawki
- Kabel USB
- Kabel audio
- Instrukcja obsługi



- Elementy dostarczane wraz z urządzeniem i wszelkie dostępne akcesoria mogą się różnić w zależności od kraju lub operatora sieci.
- Dostarczone akcesoria są przeznaczone tylko dla tego urządzenia i mogą być niezgodne z innymi urządzeniami.
- Wygląd urządzenia i jego specyfikacje mogą ulec zmianie bez uprzedniego powiadomienia.
- Dodatkowe akcesoria można nabyć u lokalnego dystrybutora firmy Samsung. Przed zakupieniem należy upewnić się, że są zgodne z urządzeniem.
- Należy używać tylko akcesoriów zatwierdzonych przez firmę Samsung. Korzystanie z niezatwierdzonych akcesoriów może spowodować nieprawidłowe działanie i uszkodzenia nieobjęte gwarancją.
- Dostępność akcesoriów może ulec zmianie i zależy wyłącznie od ich producentów. Więcej informacji na temat dostępnych akcesoriów można znaleźć w witrynie internetowej firmy Samsung.
- W zależności od kraju i operatora, karty SIM, urządzenie i akcesoria mogą wyglądać inaczej niż na ilustracjach zamieszczonych w niniejszej instrukcji.

Wygląd urządzenia



Przyciski i funkcje

Nazwa	Funkcja
Przełącznik trybu oraz włączania / wyłączenia	<ul style="list-style-type: none"> Przesuń go w lewo, aby aktywować tryb odbierania, lub w prawo, aby aktywować tryb wysyłania. Przesuń go do pozycji OFF, aby wyłączyć urządzenie.
Przycisk rozmowy/ wielofunkcyjny	<ul style="list-style-type: none"> W trybie odbierania naciśnij i przytrzymaj ten przycisk przez 1 sekundę, aby uruchomić aplikację S Voice. W trybie odbierania naciśnij ten przycisk, aby odebrać lub zakończyć połączenie. W trybie odbierania naciśnij i przytrzymaj ten przycisk, aby odrzucić połączenie. W trybie odbierania naciśnij i przytrzymaj ten przycisk, aby przekierować połączenia z urządzenia Level Link na inne urządzenie lub odwrotnie. W trybie odbierania naciśnij ten przycisk, aby odtworzyć lub zatrzymać odtwarzanie plików multimedialnych. W trybie odbierania lub wysyłania naciśnij i przytrzymaj ten przycisk przez 3 sekundy, aby uaktywnić tryb parowania Bluetooth.
Przycisk regulacji głośności	<ul style="list-style-type: none"> W trybie odbierania naciśnij ten przycisk, aby wyregulować głośność w trakcie połączenia. W trybie odbierania naciśnij ten przycisk, aby wyregulować głośność w trakcie odtwarzania plików multimedialnych.
Przyciski REW / FF	<ul style="list-style-type: none"> W trybie odbierania naciśnij te przyciski, aby odtworzyć odpowiednio poprzedni lub następny plik multimedialny w trakcie odtwarzania. W trybie odbierania naciśnij i przytrzymaj ten przycisk, aby przewinąć plik multimedialny odpowiednio do tyłu lub do przodu w trakcie odtwarzania.

Wskaźnik stanu

Stan	Kolor
Tryb parowania Bluetooth	<ul style="list-style-type: none"> Miga na czerwono, zielono i niebiesko
Włączenie urządzenia lub aktywacja trybów	<ul style="list-style-type: none"> Miga na niebiesko 3 razy

Stan	Kolor
Wyłącz	• Miga na czerwono 3 razy
Połączenie przychodzące	• Miga na niebiesko

Ładowanie baterii

Baterię należy naładować przed pierwszym użyciem urządzenia Level Link lub w sytuacji, gdy nie było ono używane przez dłuższy czas.

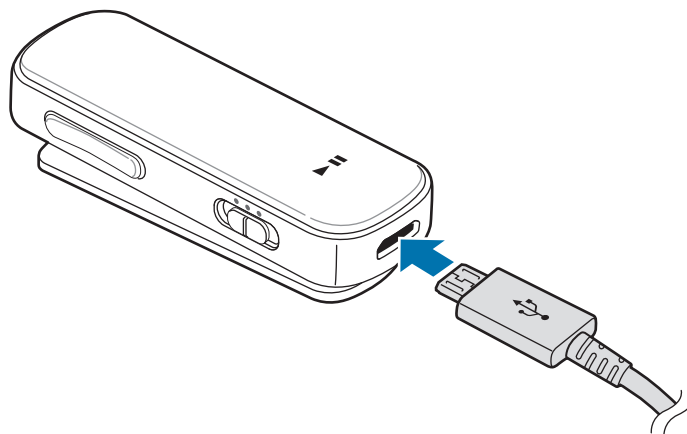


Należy używać wyłącznie ładowarek, baterii i kabli zatwierdzonych przez firmę Samsung. Używanie niezatwierdzonych ładowarek lub kabli może spowodować eksplozję baterii bądź uszkodzenie zestawu słuchawkowego.



Po całkowitym rozładowaniu baterii zestawu słuchawkowego nie można włączyć natychmiast po podłączeniu go do ładowarki. Przed ponownym włączeniem zestawu należy ładować wyczerpaną baterię przez kilka minut.

Podłącz urządzenie do komputera lub zasilacza USB za pomocą kabla USB.



- Nieprawidłowe podłączenie ładowarki może spowodować poważne uszkodzenie urządzenia. Żadne uszkodzenia wynikające z nieprawidłowej obsługi nie są objęte gwarancją.
- Urządzenie posiada baterię litowo-jonową o pojemności 110 mAh.



- Z urządzenia można korzystać podczas ładowania, jednak powoduje to wydłużenie czasu ładowania baterii do pełna.
- Podczas ładowania urządzenie może się nagrzewać. Jest to normalne zjawisko, które nie powinno wpływać na trwałość ani wydajność urządzenia. Jeśli bateria nagrzeje się bardziej niż zwykle, ładowarka może przerwać ładowanie.
- Jeżeli ładowanie urządzenia nie przebiega prawidłowo, należy je zanieść wraz z ładowarką do centrum serwisowego firmy Samsung.

Po naładowaniu baterii do pełna odłącz urządzenie od ładowarki. Najpierw odłącz ładowarkę od urządzenia, a następnie odłącz ładowarkę od gniazdka elektrycznego.



Aby oszczędzać energię, ładowarka powinna być odłączona od zasilania, kiedy nie jest używana. Ładowarka nie ma przełącznika włączania / wyłączania, dlatego dla oszczędności energii też należy ją odłączać od gniazdka elektrycznego, gdy nie jest używana. Podczas ładowania ładowarka powinna znajdować się w pobliżu gniazdka elektrycznego i być łatwo dostępna.

Kontrolowanie poziomu naładowania baterii

Równocześnie naciśnij i przytrzymaj przycisk regulacji głośności w górę i przycisk wielofunkcyjny przez 1 sekundę. Powiadomienie świetlne rozbłyśnie trzykrotnie różnymi kolorami, zgodnie ze stanem naładowania.

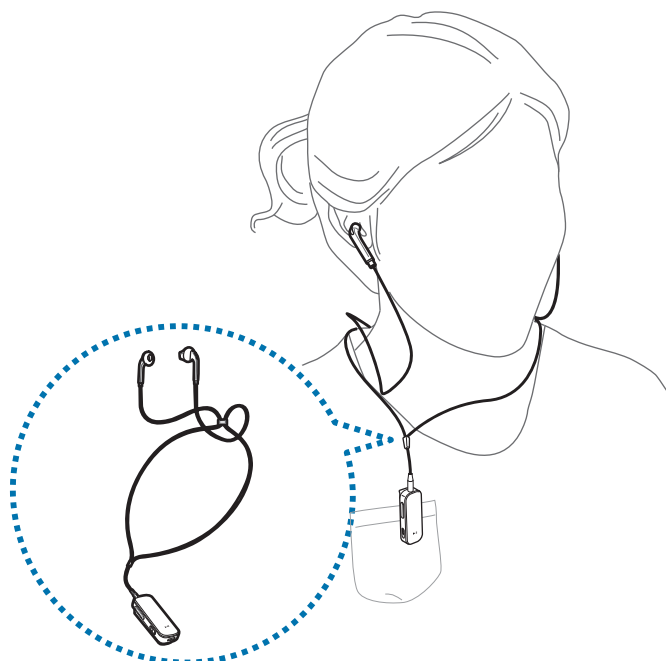
Stan	Kolor
Poniżej 30%	• Czerwony
30–60%	• Żółty
Powyżej 60%	• Zielony

Zakładanie urządzenia i słuchawek

Podłącz słuchawki z zestawu do urządzenia Level Link i załóż je na szyję.


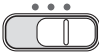

- 1 Włóż wtyczkę słuchawek do gniazda audio w urządzeniu Level Link.
- 2 Dopasuj zaczep słuchawek i utwórz pętlę o wystarczających rozmiarach, aby zmieściła się w niej Twoja głowa.

- 3 Zaczep urządzenie Level Link na ubraniu.
- 4 Załóż słuchawki na szyję, a następnie załóż słuchawki douszne.



Używając tego urządzenia ze słuchawkami przewodowymi, należy zachować ostrożność. Kabel słuchawek może owinąć się wokół szyi i spowodować uduszenie.

Włączanie i wyłączenie urządzenia

-  : Włączanie trybu odbioru.
-  : Włączanie trybu nadawania.
-  : Wyłączenie urządzenia.



W miejscach, w których używanie urządzeń bezprzewodowych podlega określonym ograniczeniom, np. w samolotach i szpitalach, należy przestrzegać wszystkich widocznych ostrzeżeń i wskazówek udzielanych przez upoważniony personel.

Korzystanie z urządzenia

Bluetooth

Informacje o funkcji Bluetooth

Bluetooth to standard łączności bezprzewodowej, który umożliwia nawiązywanie połączeń o krótkim zasięgu pomiędzy różnymi urządzeniami za pośrednictwem częstotliwości 2,4 GHz. Dzięki tej technologii można ustanowić połączenie i wymieniać dane między różnymi urządzeniami Bluetooth, takimi jak urządzenia przenośne, komputery, drukarki oraz inne urządzenia cyfrowe bez konieczności podłączania kabli.

Uwagi dotyczące posługiwania się interfejsem Bluetooth

- Aby uniknąć problemów przy podłączaniu tego urządzenia do innych urządzeń, należy umieścić je blisko siebie.
- Odległość między tym urządzeniem a innym urządzeniem Bluetooth nie może przekraczać zasięgu połączenia Bluetooth (10 m). Odległość ta może być inna w zależności od środowiska, w którym używane są urządzenia.
- Upewnij się, że pomiędzy zestawem słuchawkowym a podłączonym urządzeniem nie znajdują się żadne przeszkody, w tym ludzie, ściany, elementy narożne czy płyty.
- Nie należy dotykać anteny Bluetooth w podłączonym urządzeniu.
- Bluetooth korzysta z tej samej częstotliwości co pewne produkty przemysłowe, naukowe, medyczne i niskonapięciowe, w związku z czym używanie tych produktów w pobliżu powodować zakłócenia w połączeniu.
- Niektóre urządzenia, szczególnie te, których nie przetestowała lub nie zaakceptowała grupa Bluetooth SIG, mogą nie współpracować z tym zestawem.
- Funkcji Bluetooth nie wolno używać do celów sprzecznych z prawem (np. wykonywania pirackich kopii plików lub nielegalnego podsłuchiwania komunikacji w celach komercyjnych).

Łączenie z innymi urządzeniami



Jakość dźwięku i zasięg urządzenia Level Link mogą się różnić w zależności od rodzaju podłączonych urządzeń audio z obsługą technologii Bluetooth.

Łączenie w trybie odbierania

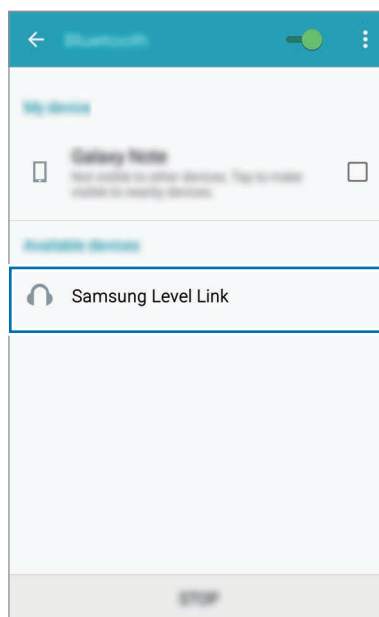
W czasie, gdy urządzenie Level Link jest podłączone do urządzeń obsługujących funkcję Bluetooth, można odbierać połączenia przychodzące i słuchać muzyki. Przy pierwszym włączeniu urządzenia Level Link przechodzi ono w tryb parowania Bluetooth.



- Podczas pierwszego parowania urządzenia Level Link z innymi urządzeniami Bluetooth połączenie zostanie nawiązane automatycznie. Jeśli próba nawiązania połączenia nie powiedzie się, urządzenie Level Link uaktywni tryb parowania Bluetooth.
- Urządzenie Level Link może przechowywać informacje o maksymalnie ośmiu urządzeniach. Jeśli urządzenie Level Link połączono wcześniej z kilkoma urządzeniami, połączy się ono z tym, z którym zostało sparowane jako ostatnie.

- 1 Level Link** Przesuń przełącznik trybu w lewo, aby aktywować tryb odbierania.
- 2 Level Link** Aby uaktywnić tryb parowania Bluetooth, naciśnij i przytrzymaj przycisk wielofunkcyjny przez około 3 sekundy.
- 3 Inne urządzenie** Uaktywnij łączność Bluetooth i wyszukaj urządzenia Bluetooth. Więcej informacji można znaleźć w instrukcji obsługi innego urządzenia.

4 **Inne urządzenie** Naciśnij pozycję **Samsung Level Link** na liście.



5 **Level Link** Połącz słuchawki z urządzeniem Level Link.

Ewentualnie połącz urządzenie Level Link do dodatkowego złącza typu jack urządzenia wyjściowego audio za pomocą kabla audio.



Jeśli urządzenie Level Link w tym trybie zostanie podłączone kablem audio do telewizora lub złącza wyjściowego audio komputera, urządzenie Level Link może zostać uszkodzone.

Łączenie w trybie wysyłania

Urządzenie można podłączyć do odtwarzacza plików multimedialnych za pomocą kabla audio. Można wtedy słuchać plików multimedialnych poprzez inne urządzenie audio, jak zestaw słuchawkowy Bluetooth. Przy pierwszym włączeniu urządzenia Level Link przechodzi ono w tryb parowania Bluetooth.



- Podczas pierwszego parowania urządzenia Level Link z innymi urządzeniami Bluetooth połączenie zostanie nawiązane automatycznie. Jeśli próba nawiązania połączenia nie powiedzie się, urządzenie Level Link uaktywni tryb parowania Bluetooth.
- Urządzenie Level Link może przechowywać informacje o maksymalnie ośmiu urządzeniach. Jeśli urządzenie Level Link połączono wcześniej z kilkoma urządzeniami, połączy się ono z tym, z którym zostało sparowane jako ostatnie.

- 1 Level Link** Przesuń przełącznik trybu w prawo, aby aktywować tryb wysyłania.
- 2 Level Link** Aby uaktywnić tryb parowania Bluetooth, naciśnij i przytrzymaj przycisk wielofunkcyjny przez około 3 sekundy.
- 3 Level Link** Połóż urządzenie Level Link w odległości nie większej niż 30 cm od sparowanego urządzenia audio.

Level Link połączy się z urządzeniem audio poprzez Bluetooth. Jeśli próba nawiązania połączenia nie powiedzie się, wyłącz urządzenie audio i włącz je ponownie. Następnie powtórz powyższe kroki.
- 4** Włóż wtyczkę kabla audio do gniazda audio w urządzeniu Level Link. Następnie włóż drugą wtyczkę kabla audio do złącza wyjściowego audio w odtwarzaczu multimedialnym.



- Metoda podłączania za pomocą funkcji Bluetooth może się różnić zależnie od podłączanych urządzeń. Aby uzyskać więcej informacji, zapoznaj się z instrukcją obsługi podłączonego urządzenia.
- Gdy Level Link jest podłączony do telewizora w trybie nadawania, mogą wystąpić pewne problemy z synchronizacją dźwięku z obrazem. Wskazane jest podłączanie Level Link do telewizora obsługującego kodek aptX o niskiej latencji.
- Jeśli urządzenie Level Link jest podłączone do odtwarzacza plików multimedialnych, zmniejsz głośność odtwarzacza zanim wyjmiesz z niego wtyczkę kabla audio, aby nie rozległ się nagle głośny dźwięk.
- W zależności od ustawień głośności podłączonego odtwarzacza multimedialnego może dojść do obniżenia poziomu głośności lub powstania hałasu. Aby tego uniknąć, wyreguluj ustawienia dźwięku odtwarzacza.

Podłączanie dodatkowych urządzeń

Urządzenie Level Link można podłączyć za pośrednictwem funkcji Bluetooth w trybie odbierania lub wysyłania do maksymalnie dwóch urządzeń.

- 1 Aktywując tryb odbierania lub wysyłania, podłącz urządzenie Level Link do pierwszego urządzenia.
- 2 Za pomocą funkcji Bluetooth podłącz urządzenie Level Link do drugiego urządzenia, używając tej samej metody łączenia, którą zastosowano w przypadku pierwszego urządzenia.



- W trybie odbierania, jeśli urządzenie Level Link nie pojawia się na liście wykrytych urządzeń, naciśnij i przytrzymaj przycisk wielofunkcyjny przez około 3 sekundy, aby aktywować tryb parowania Bluetooth.
- W przypadku połączenia z jednym urządzeniem audio urządzenie Level Link w trybie wysyłania obsługuje koder/dekoder aptX o małych opóźnieniach. Jeśli do urządzenia Level Link jednocześnie podłączono dwa urządzenia audio, koder/dekoder aptX nie jest obsługiwany i wyjścia audio i wideo mogą nie być zsynchronizowane.
- W trybie wysyłania zasięg połączenia pomiędzy urządzeniem Level Link i pozostałymi urządzeniami może być mniejszy.

Ponowne podłączanie lub odłączanie innych urządzeń

Ponowne podłączanie urządzeń

Gdy Level Link straci połączenie z urządzeniem audio ze względu na zbyt duże oddalenie od niego, należy zbliżyć do siebie oba urządzenia i nacisnąć przycisk wielofunkcyjny, aby zostały ponownie ze sobą połączone. Można też połączyć ze sobą urządzenia, korzystając z menu Bluetooth w urządzeniu audio.

Rozłączanie urządzeń

Jeśli chcesz odłączyć Level Link od urządzenia, wyłącz urządzenie lub anuluj połączenie urządzeń. Jeśli dwa urządzenia są ze sobą połączone kablem audio, odłącz tan kabel od obu urządzeń.

Korzystanie z trybu odbierania i wysyłania

W trybie odbierania można uruchomić aplikację S Voice, odbierać połączenia przychodzące i odtwarzać pliki multimedialne. Korzystając z urządzenia Level Link w tym trybie, można podłączyć do niego słuchawki lub połączyć je z urządzeniem audio za pomocą kabla audio.

Tryb wysyłania umożliwia odtwarzanie dźwięku z odtwarzacza multimedialnego za pośrednictwem podłączonego urządzenia audio.



- Zakres dostępnych funkcji może się różnić zależnie od podłączonego urządzenia. Niektóre funkcje mogą być niedostępne, jeśli urządzenie Level Link jest połączone równocześnie z dwoma urządzeniami.
- Niektóre funkcje są dostępne jedynie wtedy, gdy urządzenie Level Link jest podłączone do innego urządzenia za pośrednictwem profilu „wolne ręce” (HFP, Hands-Free Profile).
- Położenie mikrofonu może się różnić w zależności od sposobu zakładania urządzenia Level Link. Położenie urządzenia Level Link może mieć wpływ na jakość dźwięku w trakcie połączenia.

Uruchamianie aplikacji S Voice

Naciśnij i przytrzymaj przycisk wielofunkcyjny przez 1 sekundę. Jeśli podłączone urządzenie obsługuje aplikację S Voice, możesz z niej korzystać za pośrednictwem urządzenia Level Link.

Odbieranie i odrzucanie połączeń

Odbieranie połączenia

Naciśnij przycisk rozmowy, aby odebrać połączenie wykonane na podłączone urządzenie.

Odrzucanie połączenia

Naciśnij i przytrzymaj przycisk rozmowy, aby odrzucić połączenie wykonane na podłączone urządzenie.

Korzystanie z opcji w trakcie połączenia

Regulowanie głośności

W trakcie połączenia naciśnij przycisk regulacji głośności, aby dopasować poziom głośności urządzenia.

Przełączanie wyjścia dźwięku

Naciśnij i przytrzymaj przycisk rozmowy, aby przekierować połączenie z urządzenia Level Link na podłączone urządzenie. Ta funkcja może nie być dostępna w zależności od podłączonego urządzenia.

Kończenie połączenia

Naciśnij przycisk rozmowy, aby zakończyć połączenie.

Odtwarzanie plików multimedialnych

Pliki multimedialne można odtwarzać zarówno w trybie odbierania, jak i wysyłania. Zakres dostępnych funkcji może się różnić zależnie od aktywnego trybu.

Odtwarzanie i zatrzymywanie odtwarzania pliku multimedialnego

Aby odtworzyć najnowszy plik multimedialny z podłączonego urządzenia, naciśnij przycisk wielofunkcyjny.

Naciśnij przycisk wielofunkcyjny, aby wstrzymać odtwarzanie. Aby wznowić odtwarzanie, ponownie naciśnij przycisk wielofunkcyjny.

Przechodzenie do poprzedniego lub następnego pliku multimedialnego

Naciśnij przycisk REW lub FF, aby przejść odpowiednio do poprzedniego lub następnego pliku w trakcie odtwarzania.

Przewijanie pliku multimedialnego do tyłu lub do przodu

Naciśnij i przytrzymaj przycisk REW lub FF, aby przewinąć plik do przodu lub do tyłu w trakcie odtwarzania.

Regulowanie głośności

Naciśnij przycisk regulacji głośności, aby dopasować poziom głośności urządzenia.



- Gdy urządzenie Level Link jest podłączone do dwóch urządzeń, możesz odtwarzać pliki multimedialne z każdego z nich. Aby odtworzyć plik multimedialny z innego urządzenia, najpierw wstrzymaj odtwarzanie z pierwszego urządzenia.
- W trakcie odtwarzania pliku multimedialnego z jednego urządzenia nadal możesz odbierać połączenia z drugiego.
- Jeśli występują różnice w mocy wyjściowej kabla audio i podłączonego urządzenia audio w trybie wysyłania, poziom głośności na urządzeniu Level Link może się różnić.

Zerowanie danych

W przypadku podłączenia urządzenia Level Link do innego urządzenia za pośrednictwem funkcji Bluetooth informacje o urządzeniu Level Link, takie jak adres Bluetooth i rodzaj urządzenia, są przechowywane na podłączonym urządzeniu. Aby usunąć informacje dotyczące połączenia urządzenia Level Link, naciśnij i przytrzymaj przycisk wielofunkcyjny przez około 3 sekundy w celu aktywacji trybu parowania Bluetooth. Następnie naciśnij i przytrzymaj jednocześnie przyciski REW, FF oraz przycisk wielofunkcyjny przez 3 sekundy.

Dodatek

Rozwiązywanie problemów

Zanim skontaktujesz się z centrum serwisowym firmy Samsung, wypróbuj następujące rozwiązania. Niektóre sytuacje mogą nie dotyczyć danego urządzenia.

Nie można włączyć urządzenia

Jeśli bateria jest całkowicie rozładowana, włączenie urządzenia nie jest możliwe. Musisz naładować baterię, aby móc włączyć urządzenie.

Nie można naładować baterii (dotyczy ładowarek zatwierdzonych przez firmę Samsung)

- Upewnij się, że ładowarka jest poprawnie podłączona.
- Odwiedź centrum serwisowe firmy Samsung i wymień baterię.

Inne urządzenie Bluetooth nie może zlokalizować tego urządzenia

- Upewnij się, że to urządzenie znajduje się w trybie parowania Bluetooth.
- Uruchom urządzenie ponownie i wyszukaj urządzenia Bluetooth.
- Odległość między tym urządzeniem a innym urządzeniem Bluetooth nie może przekraczać zasięgu połączenia Bluetooth (10 m).

Jeśli powyższe wskazówki nie pozwalają na rozwiązanie problemu, skontaktuj się z centrum serwisowym firmy Samsung.

Nie można zlokalizować innego urządzenia Bluetooth

- Upewnij się, że urządzenie, z którym ma być nawiązane połączenie, obsługuje funkcję łączności bezprzewodowej Bluetooth.
- Odległość między tym urządzeniem a innym urządzeniem Bluetooth nie może przekraczać maksymalnego zasięgu Bluetooth (10 m).

Połączenie Bluetooth jest często zrywane

- Jeśli między urządzeniami znajdują się przeszkody, zasięg działania może być mniejszy.
- Odległość między tym urządzeniem a innym urządzeniem Bluetooth nie może przekraczać maksymalnego zasięgu Bluetooth (10 m).
- Podczas korzystania z urządzenia wraz z innymi urządzeniami Bluetooth połączenie może być zakłócone przez fale elektromagnetyczne. Należy korzystać z urządzenia w pobliżu mniejszej liczby urządzeń bezprzewodowych.

Nie słychać rozmówcy

- Wyreguluj głośność urządzenia.
- Jeśli nie słyszysz dźwięku w tym urządzeniu mimo pełnej głośności, wyreguluj głośność w podłączony urządzeniu.

Podczas połączenia rozlega się echo

Wyreguluj głośność, naciskając przycisk regulacji głośności, lub przejdź w inne miejsce.

Inne osoby nie słyszą Cię podczas połączenia

- Upewnij się, że wbudowany mikrofon nie jest zasłonięty.
- Upewnij się, że mikrofon jest blisko ust.

Jakość dźwięku jest niska

- Usługi sieci komórkowej mogą być nieaktywne ze względu na problemy występujące w sieci operatora. Należy upewnić się, że urządzenie znajduje się poza obszarem oddziaływania fal elektromagnetycznych.
- Odległość między tym urządzeniem a innym urządzeniem Bluetooth nie może przekraczać maksymalnego zasięgu Bluetooth (10 m).

Urządzenie działa inaczej niż opisano w instrukcji

- Dostępne funkcje mogą się różnić w zależności od podłączonych urządzeń.
- Z niektórych funkcji nie można korzystać, gdy do urządzenia podłączono jednocześnie dwa inne urządzenia.

Bateria wyczerpuje się szybciej niż początkowo

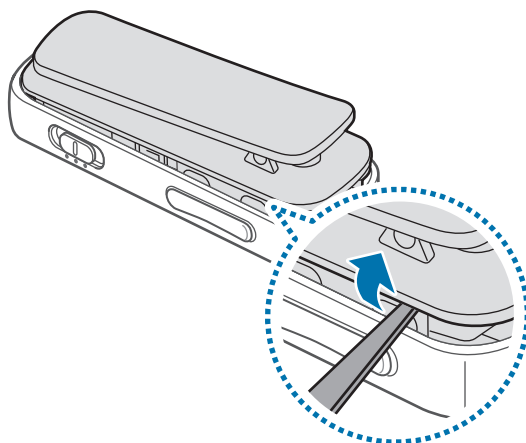
- W bardzo niskich lub bardzo wysokich temperaturach czas działania baterii może być krótszy.
- Bateria podlega zużyciu i po pewnym czasie może działać krócej.

Demontaż baterii (bateria niewyjmowana)



- Poniższe instrukcje przeznaczone są wyłącznie dla dostawcy usług lub autoryzowanego punktu naprawy.
- Uszkodzenia lub usterki spowodowane wyjęciem baterii przez osobę nieuprawnioną nie są objęte gwarancją.
- Aby wyjąć lub wymienić baterię, skontaktuj się ze swoim dostawcą usług lub autoryzowanym punktem naprawy.

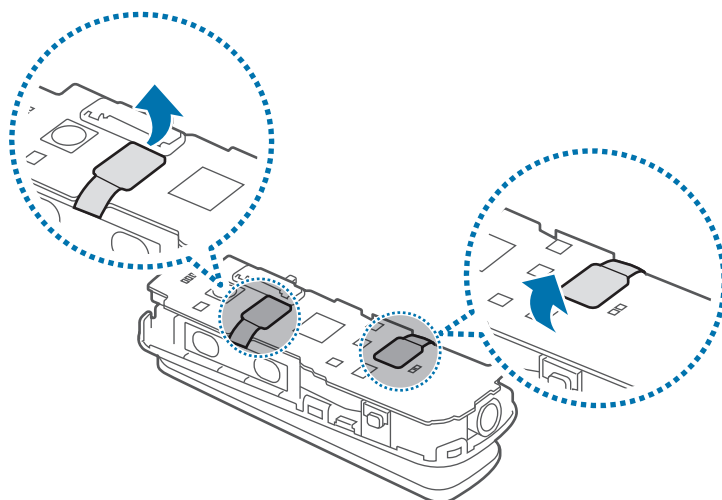
- 1 Umieść cienkie, płaskie narzędzie w szczelinie pomiędzy pokrywą a korpusem urządzenia. Następnie użyj go, aby podważyć pokrywę, zgodnie z poniższą ilustracją.



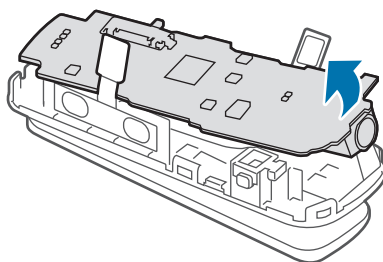
- Podczas wkładania narzędzia zachowaj ostrożność, aby uniknąć uszkodzenia wewnętrznych elementów urządzenia.

- 2 Po zdjęciu pokrywy odłóż ją na bok.

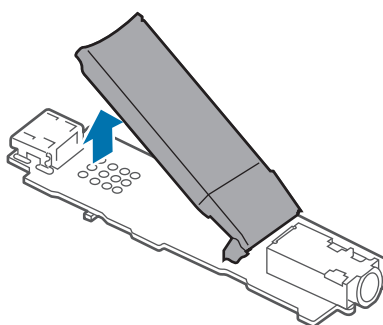
3 Odłącz złącza baterii.



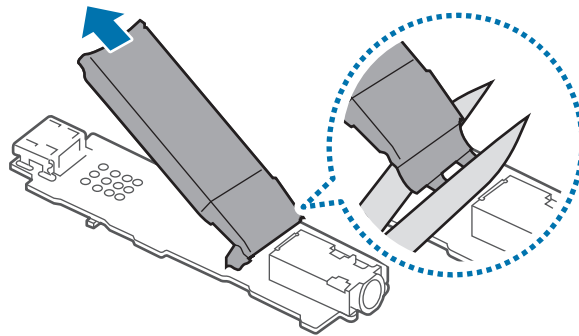
4 Usuń płytkę drukowaną, odłączając ją od korpusu urządzenia, i połóż ją wierzchnią stroną do dołu na płaskiej powierzchni.



5 Naciśnij port ładowania i pociągnij baterię ku górze, aby zdjąć ją z płytki drukowanej.



6 Ściągnij baterię z płytki i przetnij złącza w miejscu wskazanym na poniższej ilustracji.



7 Wyjmij baterię.

Deklaracja zgodności

Informacje o produkcie

Dotyczy

Produkt : Odbiornik/nadajnik dźwięku Bluetooth

Model(e) : EO-RG920



Deklaracja i odnośne normy

Niniejszym deklarujemy, że powyższy produkt jest zgodny z zasadniczymi wymogami dyrektywy w sprawie urządzeń radiowych i końcowych urządzeń telekomunikacyjnych (1999/5/WE) dzięki zastosowaniu norm:

Bezpieczeństwo	EN 60950-1 : 2006 + A11 : 2009 + A1 : 2010 + A12 : 2011
SAR	EN 50566 : 2013 EN 62479 : 2010
EMC	EN 301 489-01 V1.9.2 (2011-09) EN 301 489-17 V2.2.1 (2012-09)
Radio	EN 300 328 V1.8.1 (2012-06)

oraz jest zgodny z dyrektywą w sprawie ograniczenia stosowania niektórych niebezpiecznych substancji w sprzęcie elektrycznym i elektronicznym (2011/65/UE) poprzez zastosowanie normy EN 50581:2012.

Przedstawiciel w UE

Samsung Electronics Euro QA Lab.
Blackbushe Business Park
Saxony Way, Yateley, Hampshire
GU46 6GG, UK



2015.01.27

(miejsce i data wystawienia)

Stephen Colclough / Przedstawiciel EU

(nazwisko i podpis osoby upoważnionej)

* To nie jest adres Centrum Serwisowego firmy Samsung. Aby uzyskać adres lub numer telefonu Centrum Serwisowego firmy Samsung, należy zapoznać się z treścią karty gwarancyjnej lub skontaktować się ze sprzedawcą, u którego zakupiono produkt.

Prawa autorskie

Copyright © 2015 Samsung Electronics

Niniejsza instrukcja jest chroniona na mocy międzynarodowych praw autorskich.

Żadna część niniejszej instrukcji nie może być reprodukowana, dystrybuowana, tłumaczona ani przesyłana w jakiegokolwiek formie ani za pomocą jakiegokolwiek środków elektronicznych lub mechanicznych, w tym kopiowana, nagrywana lub przechowywana w jakimkolwiek systemie archiwizacyjnym bez uprzedniej pisemnej zgody firmy Samsung Electronics.

Znaki towarowe

- SAMSUNG i logo SAMSUNG są zarejestrowanymi znakami towarowymi firmy Samsung Electronics.
- Bluetooth® jest zastrzeżonym na całym świecie znakiem towarowym Bluetooth SIG, Inc.
- Wszystkie inne znaki towarowe i prawa autorskie należą do ich właścicieli.

Citiți mai întâi aceste informații

Vă rugăm să citiți acest manual cu atenție înainte de a utiliza dispozitivul pentru a asigura folosirea corectă și în siguranță a acestuia.

- Descrierile au la bază setările implicite ale dispozitivului.
- Imaginile pot diferi, ca aspect, față de produsul efectiv. Conținutul poate fi modificat fără notificare prealabilă.

Pictograme pentru instrucțiuni



Avertisment: Situații care pot cauza vătămări dvs. sau altor persoane



Atenție: Situații care v-ar putea deteriora dispozitivul sau alte echipamente



Notă: Note, sfaturi de utilizare și informații suplimentare

Noțiuni de bază

Despre Level Link

Dispozitivul Level Link suportă modurile de primire și trimitere. În modul primire, puteți conecta căști la Level Link și îl puteți utiliza pe post de cască Bluetooth pentru dispozitivele care au activat Bluetooth, ca de exemplu telefoane inteligente sau tablete. În modul trimitere, puteți utiliza dispozitivul pe post de dongle care se conectează la computere, televizoare, căști Bluetooth și multe alte dispozitive.

În modul primire, puteți utiliza următoarele caracteristici:

- Lansarea S Voice
- Primirea sau terminarea apelurilor
- Controlarea fișierelor multimedia

În modul trimitere, puteți reda sunetul dispozitivului multimedia conectat.

Conținut pachet

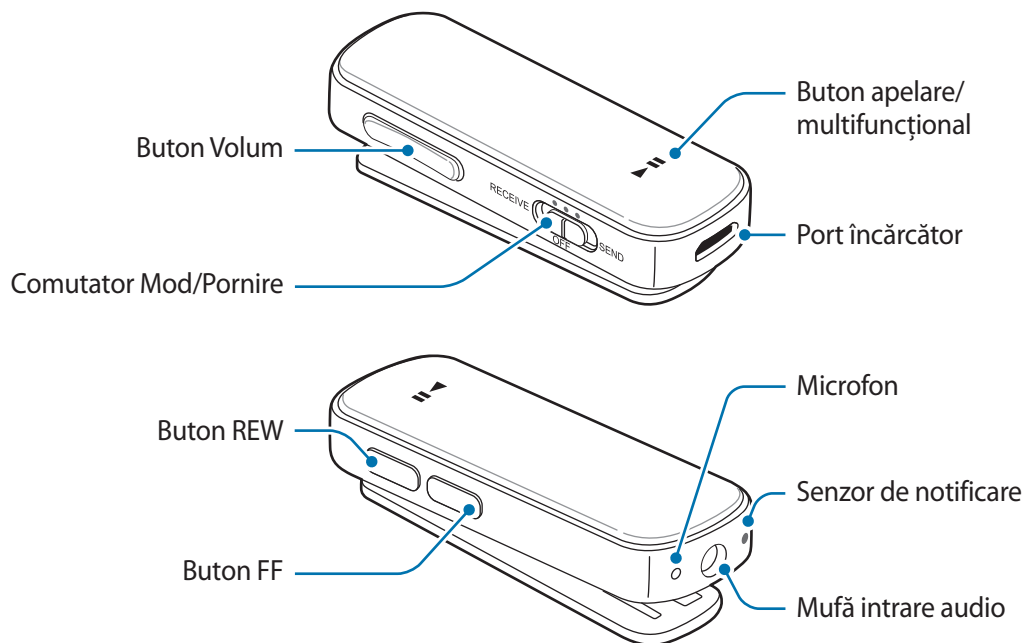
Verificați dacă în cutia produsului există următoarele articole:

- Dispozitiv
- Căști
- Cablu USB
- Cablu audio
- Ghid de pornire rapidă



- Articolele furnizate împreună cu dispozitivul și accesoriile disponibile pot varia în funcție de regiune sau de furnizorul de servicii.
- Articolele furnizate sunt proiectate numai pentru acest dispozitiv și pot să nu fie compatibile cu alte dispozitive.
- Aspectul și specificațiile se pot modifica fără notificare prealabilă.
- Puteți achiziționa accesorii suplimentare de la distribuitorul Samsung local. Asigurați-vă că acestea sunt compatibile cu dispozitivul înainte de achiziționare.
- Utilizați doar accesorii aprobate de Samsung. Utilizarea accesoriilor neaprobate poate provoca probleme de performanță și funcționări defectuoase care nu sunt acoperite de garanție.
- Disponibilitatea tuturor accesoriilor este supusă modificării în funcție de companiile producătoare. Pentru mai multe informații despre accesorii disponibile, consultați site-ul web Samsung.

Aspectul dispozitivului



Butoane și funcții

Nume	Funcție
Comutator Mod/ Pornire	<ul style="list-style-type: none"> • Glisați la stânga pentru a activa modul de primire și la dreapta pentru a activa modul de trimitere. • Glisați pe OFF pentru a opri dispozitivul.
Buton apelare/ multifuncțional	<ul style="list-style-type: none"> • În modul primire, țineți apăsat timp de 1 secundă pentru a lansa S Voice. • În modul primire, apăsați pentru a prelua sau termina un apel. • În modul primire, țineți apăsat pentru a respinge un apel. • În modul primire, țineți apăsat pentru a transfera apeluri de pe Level Link pe celălalt dispozitiv al dvs., sau vice versa. • În modul primire, apăsați pentru a reda sau opri fișiere multimedia. • În modul primire sau modul trimitere, țineți apăsat timp de 3 secunde pentru a intra în modul de asociere Bluetooth.
Buton Volum	<ul style="list-style-type: none"> • În modul primire, apăsați pentru a regla volumul în timpul unui apel. • În modul primire, apăsați pentru a regla volumul în timpul redării fișierelor multimedia.
Buton REW / Buton FF	<ul style="list-style-type: none"> • În modul primire, apăsați pentru a reda fișierul multimedia anterior sau pe cel următor în timpul redării. • În modul primire, țineți apăsat pentru a derula înapoi sau repede înainte printr-un fișier multimedia în timpul redării.

Indicator de stare

Stare	Culoare
Mod asociere Bluetooth	• Clipire în roșu, verde și albastru
Pornire sau activare moduri	• Clipire în albastru de 3 ori
Oprire	• Clipire în roșu de 3 ori
Primire apel	• Clipire în albastru

Încărcarea bateriei

Încărcați bateria înainte de a folosi dispozitivul Level Link pentru prima dată sau atunci când dispozitivul Level Link nu a fost folosit perioade lungi de timp.

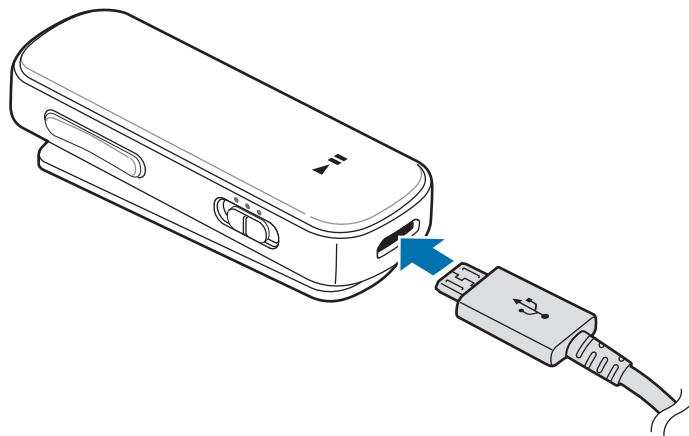


Utilizați numai încărcătoare, baterii și cabluri aprobate de Samsung. Încărcătoarele sau cablurile neomologate pot cauza explozia bateriei sau deteriorarea căștilor.



Dacă bateria este descărcată complet, căștile nu pot fi pornite imediat ce încărcătorul este conectat. Înainte de a porni căștile, lăsați bateria descărcată să se încarce timp de câteva minute.

Conectați dispozitivul la un computer sau la adaptorul USB prin cablul USB.



Conectarea necorespunzătoare a încărcătorului poate cauza deteriorarea gravă a dispozitivului. Deteriorările cauzate de utilizarea incorectă nu sunt acoperite de garanție.



- Dispozitivul poate fi folosit în timpul încărcării, dar poate dura mai mult ca bateria să se încarce complet.
- În timpul încărcării, dispozitivul se poate încălzi. Acest lucru este normal și n-ar trebui să afecteze durata de viață sau performanța dispozitivului. Dacă bateria se încălzește mai mult decât în mod normal, este posibil ca încărcătorul să se oprească din încărcat.
- Dacă dispozitivul nu se încarcă corespunzător, duceți dispozitivul și încărcătorul la un Centru de service Samsung.

După încărcarea completă, deconectați dispozitivul din încărcător. Mai întâi deconectați încărcătorul de la dispozitiv și apoi deconectați-l de la priza electrică.



Pentru a economisi energie scoateți din priză încărcătorul atunci când nu este folosit. Încărcătorul nu are un comutator de pornire, astfel încât trebuie să-l deconectați de la priza electrică atunci când nu este utilizat, pentru a evita consumul de energie electrică. Încărcătorul trebuie să rămână aproape de priza electrică și să fie accesibil cu ușurință în timpul încărcării.

Verificarea nivelului bateriei

Țineți apăsat simultan pe butonul de creștere a volumului și pe butonul multifuncțional timp de 1 secundă. Senzorul de notificare clipește de trei ori în diverse culori în funcție de starea de încărcare.

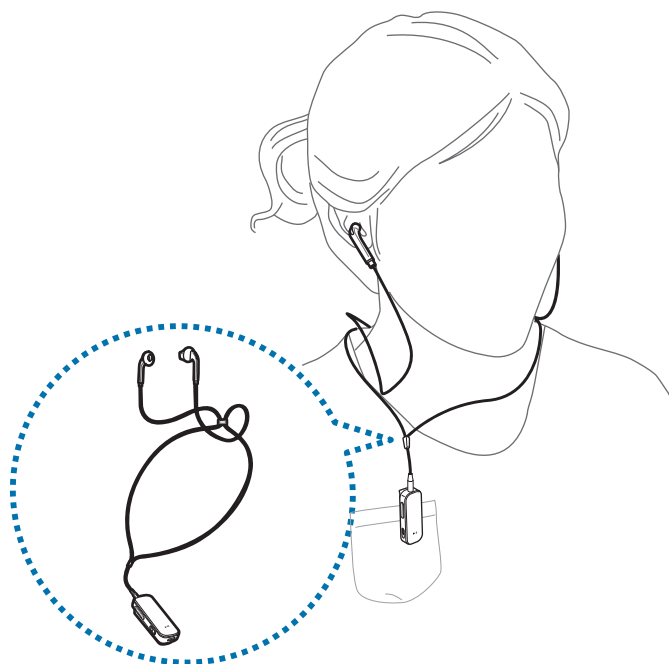
Stare	Culoare
Mai puțin de 30%	• Roșu
30–60%	• Galben
Mai mult de 60%	• Verde

Purtarea dispozitivului și a căștilor

Conectați căștile furnizate la Level Link și purtați-le în jurul gâtului.


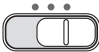
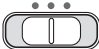
- 1 Introduceți căștile în mufa audio a dispozitivului Level Link.
- 2 Reglați clema căștilor pentru a forma o buclă suficient de mare încât să vă încapă capul prin ea.

- 3 Prindeți dispozitivul Level Link de haine.
- 4 Purtați căștile în jurul gâtului și introduceți pernuțele auriculare.



Procedați cu atenție atunci când utilizați acest dispozitiv cu o pereche de căști cu fir. Vă puteți sugruma dacă căștile se înfășoară în jurul gâtului.

Pornirea și oprirea dispozitivului

-  : Activați modul primire.
-  : Activați modul trimitere.
-  : Opriți dispozitivul.



Respectați toate avertismentele afișate și instrucțiunile personalului autorizat din zonele unde utilizarea dispozitivelor wireless este restricționată, ca de exemplu avioane și spitale.

Utilizarea dispozitivului

Bluetooth

Despre Bluetooth

Bluetooth este un standard tehnologic wireless care folosește o frecvență de 2,4 GHz pentru a se conecta la diverse dispozitive pe distanțe scurte. Se poate conecta și schimba date cu alte dispozitive care au activată caracteristica Bluetooth, ca de exemplu dispozitive mobile, computere, imprimante, și alte aparate casnice digitale, fără a se conecta prin cabluri.

Notificări pentru utilizarea caracteristicii Bluetooth

- Pentru a evita problemele atunci când vă conectați la un alt dispozitiv, așezați dispozitivele aproape unul de altul.
- Asigurați-vă că dispozitivul dvs. și celălalt dispozitiv Bluetooth se află în raza de conectare Bluetooth (10 m). Distanța poate varia în funcție de mediul în care sunt utilizate dispozitivele.
- Asigurați-vă că nu există obstacole între căști și un dispozitiv conectat, inclusiv corpuri umane, pereți, colțuri sau garduri.
- Nu atingeți antena Bluetooth a unui dispozitiv conectat.
- Bluetooth utilizează aceeași frecvență ca unele produse industriale, științifice, medicale și de mică putere și pot avea loc interferențe când realizați conexiuni în apropierea acestor tipuri de produse.
- Unele dispozitive, în special cele care nu sunt testate sau aprobate de Bluetooth SIG, pot fi incompatibile cu casca.
- Nu utilizați caracteristica Bluetooth în scopuri ilegale (de exemplu, efectuarea de copii piratate ale fișierelor sau interceptarea ilegală a convorbirilor telefonice în scopuri comerciale).

Conectarea la alte dispozitive



Calitatea sunetului și raza de utilizare dintre Level Link și dispozitivele audio conectate poate varia în funcție de dispozitivele audio Bluetooth.

Conectarea în modul primire

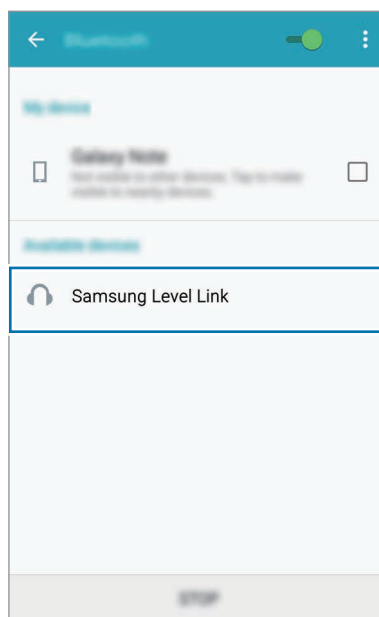
Puteți recepționa apeluri sau asculta muzică atunci când dispozitivul dvs. Level Link este conectat la dispozitive care au Bluetooth activat. Când porniți dispozitivul Level Link pentru prima dată, acesta intră în modul de asociere Bluetooth.



- Atunci când asociați pentru prima dată dispozitivul Level Link cu alte dispozitive prin Bluetooth, acesta se conectează automat la dispozitivele asociate. Dacă dispozitivul Level Link nu reușește să se conecteze, acesta intră în modul de asociere Bluetooth.
- Level Link poate stoca informații despre un număr de până la opt dispozitive. Dacă dispozitivul Level Link s-a conectat la mai multe dispozitive, acesta se conectează la dispozitivul cel mai recent asociat.

- 1 Level Link** Glisați comutatorul Mod la stânga pentru a activa modul primire.
- 2 Level Link** Țineți apăsat butonul multifuncțional timp de circa 3 secunde pentru a intra în modul de asociere Bluetooth.
- 3 Alt dispozitiv** Activați caracteristica Bluetooth și căutați dispozitive Bluetooth.
Pentru mai multe informații, consultați manualul utilizatorului al celui alt dispozitiv.

4 **Alt dispozitiv** Atingeți **Samsung Level Link** din listă.



5 **Level Link** Conectați căștile la Level Link.

Alternativ, conectați dispozitivul Level Link la mufa auxiliară de intrare a unui dispozitiv cu ieșire audio printr-un cablu audio.



În acest mod, dacă conectați Level Link printr-un cablu audio la o mufă de ieșire audio a unui televizor sau computer, acesta poate fi avariat.

Conectarea în modul trimitere

Conectați dispozitivul la un player multimedia prin intermediul cablului audio. Puteți asculta fișiere multimedia printr-un alt dispozitiv audio, ca de exemplu o cască Bluetooth. Când porniți dispozitivul Level Link pentru prima dată, acesta intră în modul de asociere Bluetooth.



- Atunci când asociați pentru prima dată dispozitivul Level Link cu alte dispozitive prin Bluetooth, acesta se conectează automat la dispozitivele asociate. Dacă dispozitivul Level Link nu reușește să se conecteze, acesta intră în modul de asociere Bluetooth.
- Level Link poate stoca informații despre un număr de până la opt dispozitive. Dacă dispozitivul Level Link s-a conectat la mai multe dispozitive, acesta se conectează la dispozitivul cel mai recent asociat.

- 1 Level Link** Glisați comutatorul Mod la dreapta pentru a activa modul trimitere.
- 2 Level Link** Țineți apăsat butonul multifuncțional timp de circa 3 secunde pentru a intra în modul de asociere Bluetooth.
- 3 Level Link** Așezați Level Link la 30 cm de dispozitivul audio asociat.
Din acest moment Level Link și dispozitivul audio sunt conectate prin Bluetooth. Dacă conectarea eșuează, opriți dispozitivul audio și porniți-l din nou. Apoi, repetați pașii de mai sus.
- 4** Introduceți cablul audio în mufa audio a dispozitivului Level Link. Apoi, introduceți celălalt capăt al cablului audio în mufa jack de ieșire audio a playerului multimedia.



- Metoda pentru conectarea prin Bluetooth poate varia în funcție de dispozitivele conectate. Pentru mai multe informații, consultați manualul utilizatorului al dispozitivului conectat.
- Când Level Link este conectat la un televizor în modul trimitere, pot apărea probleme de sincronizare a buzelor. Se recomandă conectarea dispozitivului Level Link la un televizor care suportă codecul cu latență redusă aptX.
- În momentul în care utilizați Level Link cu un player multimedia, reduceți volumul playerului multimedia înainte de a scoate cablul audio pentru a preveni zgomotele bruște și puternice.
- În funcție de volumul playerului multimedia conectat, vă puteți confrunța cu căderi de volum sau zgomot. Pentru a evita acest lucru, reglați corespunzător sunetul playerului multimedia.

Conectarea dispozitivelor suplimentare

În modul primire sau trimitere, Level Link se poate conecta cu până la două dispozitive prin Bluetooth.

- 1 În modul primire sau modul trimitere, conectați-vă dispozitivul Level Link la primul dispozitiv.
- 2 Conectați Level Link la un al doilea dispozitiv prin Bluetooth folosind metoda de conectare de la primul dispozitiv.



- În modul primire, dacă Level Link nu apare în lista de dispozitive detectate, țineți apăsat butonul multifuncțional timp de circa 3 secunde pentru a intra în modul de asociere Bluetooth.
- În modul trimitere, Level Link suportă codetul de latență joasă aptX atunci când este conectat la un singur dispozitiv audio. Dacă se conectează simultan două dispozitive audio la Level Link, codetul aptX nu este suportat și este posibil ca ieșirea audio și video să nu fie sincronizate.
- În modul trimitere, raza de utilizare dintre Level Link și alte dispozitive se poate reduce.

Reconectarea sau deconectarea de la alte dispozitive

Reconectarea dispozitivelor

Când Level Link se deconectează de la un dispozitiv audio din cauza distanței dintre dispozitive, aduceți dispozitivele mai aproape și apăsați pe butonul multifuncțional pentru a le împerechea din nou. Alternativ, puteți utiliza meniul Bluetooth de pe dispozitivul audio pentru a împerechea dispozitivele.

Deconectarea dispozitivelor

Pentru a deconecta Level Link de la dispozitivul audio, opriți dispozitivul sau desperecheați-le. Dacă ați conectat două dispozitive printr-un cablu audio, scoateți cablul din ambele dispozitive.

Utilizarea modurilor de primire și trimitere

În modul primire, puteți lansa S Voice, puteți răspunde la apeluri sau puteți reda fișiere multimedia. În acest mod, utilizați Level Link cu căști sau conectați-l la un dispozitiv audio prin intermediul unui cablu audio.

În modul trimitere, puteți asculta materiale audio de pe playerul multimedia prin intermediul dispozitivului audio conectat.



- Caracteristicile disponibile pot varia în funcție de dispozitivul la care vă conectați. Unele caracteristici pot să nu fie disponibile dacă Level Link este conectat simultan la două dispozitive.
- Unele caracteristici sunt disponibile doar atunci când dispozitivul Level Link se conectează la un dispozitiv prin intermediul Profilului fără mâini (HFP).
- Locația microfonului variază în funcție de modul în care purtați dispozitivul Level Link. Poziția acestuia poate afecta calitatea sunetului în timpul apelurilor.

Lansarea S Voice

Apăsați butonul multifuncțional timp de 1 secundă. Dacă dispozitivul conectat suportă S Voice, puteți utiliza aplicația prin Level Link.

Preluarea și respingerea apelurilor

Preluarea unui apel

Apăsați butonul Apel pentru a prelua apelurile efectuate către dispozitivul conectat.

Respingerea unui apel

Țineți apăsat butonul Apel pentru a respinge apelurile efectuate către dispozitivul conectat.

Utilizarea opțiunilor în timpul unui apel

Reglarea volumului

În timpul unui apel, apăsați butonul Volum pentru a regla volumul.

Comutarea ieșirii de sunet

Țineți apăsat butonul Apel pentru a transfera apelurile de pe Level Link către dispozitivul conectat. În funcție de dispozitivul conectat, această caracteristică poate să fie indisponibilă.

Terminarea unui apel

Apăsați butonul Apel pentru a termina un apel.

Redarea mai multor fișiere multimedia

Redați fișiere multimedia în modul primire sau trimitere. Caracteristicile disponibile pot varia în funcție de modul utilizat.

Redarea și oprirea unui fișier multimedia

Apăsați butonul multifuncțional pentru a reda cel mai recent fișier multimedia de pe dispozitivul conectat.

Apăsați butonul multifuncțional pentru a pune pe pauză redarea. Pentru a relua redarea, apăsați din nou butonul multifuncțional.

Trecerea la fișierul multimedia anterior sau la cel următor

Apăsați butonul REW sau butonul FF pentru a trece la fișierul anterior sau la cel următor în timpul redării.

Derularea înapoi sau repede înainte a fișierului multimedia

Țineți apăsat butonul REW sau butonul FF pentru a derula fișierul înapoi sau repede înainte în timpul redării.

Reglarea volumului

Apăsați butonul Volum pentru a regla volumul.



- Când Level Link este conectat la două dispozitive, puteți reda fișiere multimedia de pe oricare dispozitiv. Pentru a reda un fișier multimedia de pe un dispozitiv diferit, mai întâi puneți pe pauză redarea de pe celălalt dispozitiv.
- Atunci când redați un fișier multimedia de pe un dispozitiv, puteți în continuare prelua apeluri de pe celălalt dispozitiv.
- Dacă în modul trimitere există diferențe în puterea de ieșire a cablului audio și dispozitivul audio conectat, volumul sunetului de pe Level Link poate varia.

Efectuarea unei resetări de date

Atunci când dispozitivul dvs. Level Link se conectează la un dispozitiv prin Bluetooth, informațiile acestuia, ca de exemplu adresa Bluetooth și tipul de dispozitiv, sunt stocate pe dispozitivul conectat. Pentru a șterge informațiile de conectare ale dispozitivului, țineți apăsat butonul multifuncțional timp de circa 3 secunde pentru a intra în modul de asociere Bluetooth. Apoi, țineți apăsat simultan pe butoanele REW, FF și cel multifuncțional timp de 3 secunde.

Anexă

Depanare

Înainte de a contacta un Centru de service Samsung, vă rugăm să încercați următoarele soluții. Este posibil ca unele situații să nu se aplice dispozitivului dvs.

Dispozitivul dvs. nu pornește

Când bateria este descărcată complet, dispozitivul nu pornește. Încărcați bateria complet înainte de a porni dispozitivul.

Bateria nu se încarcă corespunzător (Pentru încărcătoarele aprobate de Samsung)

- Asigurați-vă că încărcătorul este conectat corespunzător.
- Vizitați un Centru de service Samsung pentru a vi se schimba bateria.

Un alt dispozitiv Bluetooth nu vă poate localiza dispozitivul

- Asigurați-vă că dispozitivul dvs. se află în modul de asociere Bluetooth.
- Resetați dispozitivul și căutați dispozitive Bluetooth.
- Asigurați-vă că dispozitivul dvs. și celălalt dispozitiv Bluetooth se află în raza de conectare Bluetooth (10 m).

Dacă sfaturile de mai sus nu rezolvă problema, contactați un centru de service Samsung.

Un alt dispozitiv Bluetooth nu este localizat

- Asigurați-vă că dispozitivul la care doriți să vă conectați suportă caracteristica wireless Bluetooth.
- Asigurați-vă că dispozitivul dvs. și celălalt dispozitiv Bluetooth se află în raza maximă de acțiune Bluetooth (10 m).

Conexiunea Bluetooth se deconectează frecvent

- Dacă între dispozitive există obstacole, distanța de operare se poate reduce.
- Asigurați-vă că dispozitivul dvs. și celălalt dispozitiv Bluetooth se află în raza maximă de acțiune Bluetooth (10 m).
- Când folosiți dispozitivul cu alte dispozitive Bluetooth, conexiunea poate fi afectată de undele electromagnetice. Utilizați dispozitivul în medii cu mai puține dispozitive wireless prezente.

Nu le puteți auzi pe celelalte persoane când vorbesc

- Reglați volumul dispozitivului.
- Reglați volumul pe dispozitivul conectat când nu auziți sunetele pe dispozitivul dvs. la volum maxim.

Ecouri sonore în timpul unui apel

Reglați volumul apăsând butonul Volum sau mutați-vă într-o altă zonă.

Alte persoane nu vă pot auzi atunci când vorbiți în timpul unui apel

- Asigurați-vă că nu acoperiți microfonul încorporat.
- Asigurați-vă că microfonul este aproape de gură.

Calitatea audio este slabă

- Serviciile prin rețelele wireless pot fi dezactivate din cauza problemelor la rețeaua furnizorului de servicii. Asigurați-vă că dispozitivul este la distanță de undele electromagnetice.
- Asigurați-vă că dispozitivul dvs. și celălalt dispozitiv Bluetooth se află în raza maximă de acțiune Bluetooth (10 m).

Dispozitivul funcționează diferit față de descrierea din manual

- Funcțiile disponibile pot varia în funcție de dispozitivul conectat.
- Unele caracteristici nu pot fi utilizate atunci când două dispozitive sunt conectate în același timp la dispozitiv.

Bateria se consumă mai repede decât atunci când a fost achiziționat

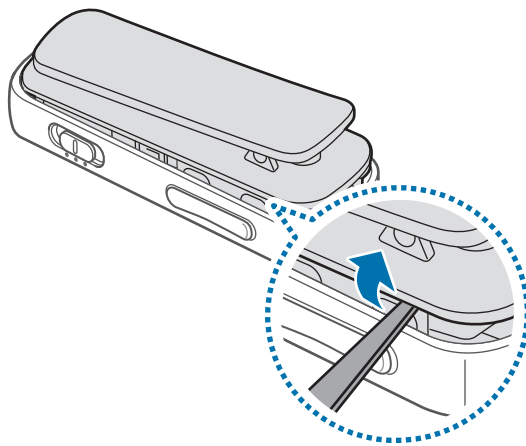
- Atunci când dispozitivul sau bateria sunt expuse la temperaturi foarte scăzute sau ridicate, încărcarea utilă se poate reduce.
- Bateria este un bun consumabil și pe parcursul timpului încărcarea utilă se va diminua.

Scoaterea bateriei (tip nedetașabil)



- Aceste instrucțiuni se adresează doar furnizorului de servicii sau centrului de service autorizat.
- Deteriorările sau defectele cauzate de scoaterea neautorizată a bateriei nu sunt acoperite de garanție.
- Pentru a scoate sau înlocui bateria, contactați furnizorul de servicii sau un centru de service autorizat.

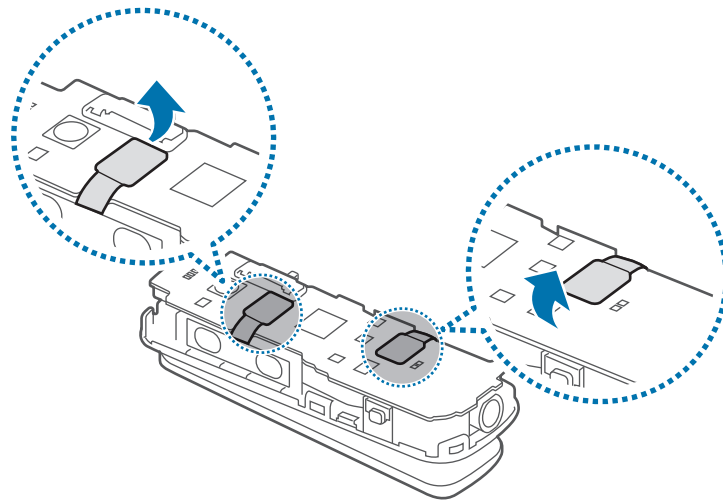
- 1 Introduceți un instrument plat în spațiul dintre capacul și corpul dispozitivului.
Apoi, folosiți instrumentul pentru a le desface conform imaginii de mai jos.



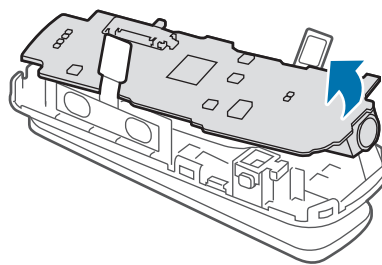
- Aveți grijă atunci când introduceți instrumentul ca să nu deteriorați componentele interne ale dispozitivului.

- 2 După ce capacul a fost scos, puneți-l deoparte.

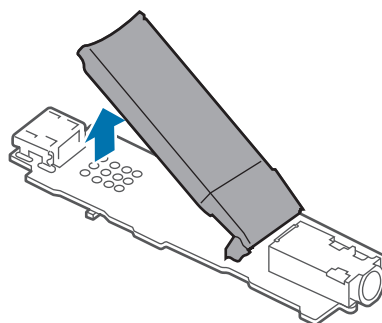
3 Deconectați conectorii bateriei.



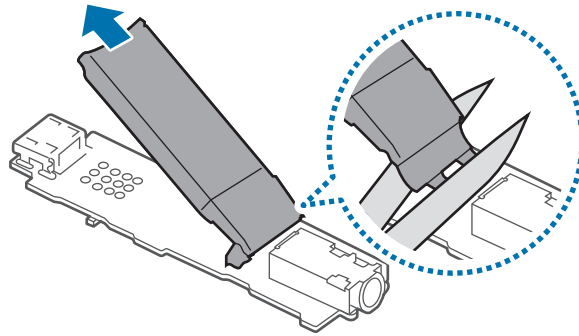
4 Scoateți placa cu circuite detașând-o de corpul dispozitivului și așezați-o cu fața în jos pe o suprafață plană.



5 Apăsați pe portul de încărcare și trageți de baterie în sus pentru a o elibera de pe placa cu circuite.



- 6 Scoateți bateria de pe placa cu circuite și tăiați conexiunile în locurile indicate în imaginea de mai jos.



- 7 Scoateți bateria.

Declarație de conformitate

Datele produsului

Pentru următoarele

Produs: Cheie Bluetooth

Model: EO-RG920



Declarație și standarde aplicabile

Prin prezenta, declarăm că produsul de mai sus este conform cu cerințele esențiale ale Directivei privind echipamentele radio și echipamentele terminale de telecomunicații (1999/5/CE) prin aplicarea:

Siguranță	EN 60950-1 : 2006 + A11 : 2009 + A1 : 2010 + A12 : 2011
SAR	EN 50566 : 2013 EN 62479 : 2010
EMC	EN 301 489-01 V1.9.2 (2011-09) EN 301 489-17 V2.2.1 (2012-09)
Radio	EN 300 328 V1.8.1 (2012-06)

și cu Directiva (2011/65/UE) privind restricțiile de utilizare a anumitor substanțe periculoase în echipamentele electrice și electronice prin aplicarea EN 50581:2012.

Reprezentant în UE

Samsung Electronics Euro QA Lab.
Blackbushe Business Park
Saxony Way, Yateley, Hampshire
GU46 6GG, UK



2015.01.27

Stephen Colclough / Reprezentant UE

(Locul și data eliberării)

(Numele și semnătura persoanei autorizate)

* Aceasta nu este adresa Centrului de service Samsung. Pentru adresa sau numărul de telefon al Centrului de service Samsung, consultați certificatul de garanție sau contactați distribuitorul de la care ați achiziționat produsul.

Drepturi de autor

Drepturi de autor © 2015 Samsung Electronics

Acest manual este protejat în virtutea legislației internaționale privind drepturile de autor.

Nicio parte a acestui manual nu poate fi reprodusă, distribuită, tradusă sau transmisă, sub nicio formă și prin niciun mijloc, electronic sau mecanic, inclusiv prin fotocopiere, înregistrare sau stocare în niciun sistem de stocare și recuperare a informațiilor, fără permisiunea prealabilă scrisă a Samsung Electronics.

Mărci comerciale

- SAMSUNG și logo-ul SAMSUNG sunt mărci comerciale înregistrate ale Samsung Electronics.
- Bluetooth® este marcă comercială înregistrată în întreaga lume a companiei Bluetooth SIG, Inc.
- Toate celelalte mărci comerciale și drepturi de autor sunt proprietatea deținătorilor respectivi.

Първо прочетете

Моля, прочетете това ръководство внимателно преди да използвате устройството си, за да осигурите безопасна и правилна употреба.

- Описанията се базират на настройките на устройството по подразбиране.
- Изображенията може да се различават от действителния продукт. Съдържанието подлежи на промяна без предизвестие.

Икони за указания



Предупреждение: Ситуации, които могат да причинят наранявания на вас или на други



Внимание: Ситуации, които могат да причинят повреди на устройството ви или на друго оборудване



Забележка: Бележки, съвети за използване или допълнителна информация

Начално запознаване

За Level Link

Level Link поддържа режим на приемане и режим на изпращане. В режим на приемане можете да свържете слушалки към Level Link и да ги използвате като Bluetooth слушалки за устройства, поддържащи функцията Bluetooth, като смартфони и таблети. В режим на изпращане можете да използвате устройството като донгъл, които се свързва към компютри, телевизори, Bluetooth слушалки и други.

В режим на приемане можете да използвате следните функции:

- Стартиране на S Voice
- Приемане или прекратяване на повиквания
- Управление на мултимедийни файлове

В режим на изпращане можете да възпроизвеждате звук от свързаното мултимедийно устройство.

Съдържание на опаковката

Проверете кутията на продукта за следните елементи:

- Устройство
- Слушалки
- USB кабел
- Аудио кабел
- Кратко ръководство



- Елементите и наличните принадлежности, доставени с устройството, може да се различават в зависимост от региона или доставчика на услуги.
- Доставените елементи са предназначени само за това устройство и може да не са съвместими с други устройства.
- Външният вид и спецификациите са предмет на промяна без предизвестие.
- Можете да закупите допълнителни аксесоари от вашия местен продавач на Samsung. Преди закупуване се уверете, че те са съвместими с устройството.
- Използвайте само одобрени от Samsung аксесоари. Използването на неодобрени аксесоари може да причини проблеми с производителността и неизправности, които не се покриват от гаранцията.
- Наличността на всички аксесоари подлежи на промяна изцяло в зависимост от производителите. За повече информация за наличните аксесоари се обърнете към уеб сайта на Samsung.

Оформление на устройството



Бутони и функции

Име	Функция
Превключвател Режим/Вкл./Изкл.	<ul style="list-style-type: none"> Плъзнете наляво, за да активирате режим на приемане и надясно, за да активирате режим на изпращане. Плъзнете към OFF, за да изключите устройството.
Обаждане/ Многофункционален бутон	<ul style="list-style-type: none"> В режим на приемане натиснете и задръжте за 1 секунда, за да стартирате S Voice. В режим на приемане натиснете, за да приемете или да прекратите повикване. В режим на приемане натиснете, за да отхвърлите повикване. В режим на приемане натиснете и задръжте, за да прехвърлите повиквания от Level Link към другото ви устройство или обратно. В режим на приемане натиснете, за да възпроизведете или да спрете мултимедийни файлове. В режим на приемане или изпращане натиснете и задръжте за 3 секунди, за да влезете в режим на сдвояване чрез Bluetooth.
Бутон за сила на звука	<ul style="list-style-type: none"> В режим на приемане натиснете, за да регулирате силата на звука по време на повикване. В режим на приемане натиснете, за да регулирате силата на звука докато възпроизвеждате мултимедийни файлове.
Бутон за превъртане назад / Бутони за бързо превъртане напред	<ul style="list-style-type: none"> В режим на приемане натиснете, за да възпроизведете предишния или следващия мултимедийен файл по време на възпроизвеждане. В режим на приемане натиснете и задръжте, за да превъртите назад или да превъртите бързо напред мултимедийен файл по време на възпроизвеждане.

Индикатор за състояние

Състояние	Цвят
Режим на сдвояване чрез Bluetooth	<ul style="list-style-type: none"> Премигва в червено, зелено и синьо
Включване или активиране на режими	<ul style="list-style-type: none"> Премигва в синьо 3 пъти
Изключване	<ul style="list-style-type: none"> Премигва в червено 3 пъти
Входящо повикване	<ul style="list-style-type: none"> Премигва в синьо

Зареждане на батерията

Заредете батерията преди да използвате Level Link за пръв път или когато Level Link не е бил използван продължително време.

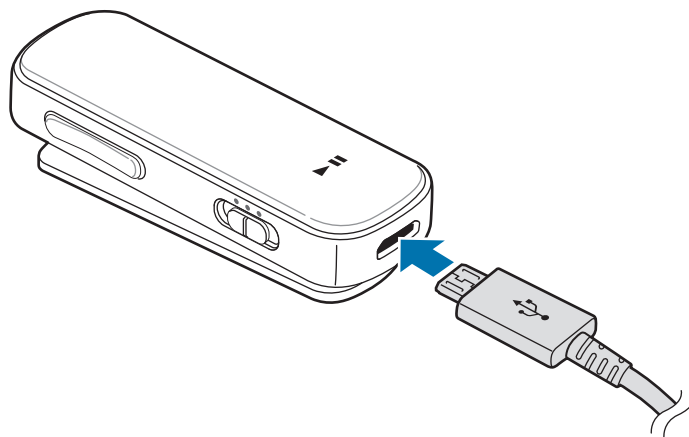


Използвайте само одобрени от Samsung зарядни устройства, батерии и кабели. Неодобрените зарядни устройства или кабели може да причинят експлодиране на батерията или повреда на слушалките.



Ако батерията е напълно изтощена, слушалките не могат да бъдат включени веднага след свързване към зарядното устройство. Оставете изтощената батерия да се зареди за няколко минути преди да включите слушалките.

Свържете устройството към компютър или USB захранващия адаптер чрез USB кабела.



Неправилното свързване към зарядното устройство може да причини сериозни повреди по устройството. Всякакви повреди, причинени от неправилна употреба, не се покриват от гаранцията.



- Устройството може да се използва докато се зарежда, но може да отнеме повече време, за да се зареди напълно батерията.
- По време на зареждането устройството може да се нагрее. Това е нормално и не би трябвало да засегне продължителността на живота или производителността на устройството. Ако батерията се нагрее повече от обичайното, зарядното устройство може да спре да зарежда.
- Ако устройството не се зарежда правилно, занесете устройството и зарядното устройство в сервизен център на Samsung.

След като се зареди напълно, разкачете устройството от зарядното. Първо изключете зарядното от устройството, след което и от електрическия контакт.



За да спестите енергия, извадете зарядното устройство от електрическия контакт, когато не го използвате. Зарядното устройство няма превключвател Вкл./Изкл., затова трябва да го извадите от електрическия контакт, когато не го използвате, за да не изразходвате енергия. Зарядното устройство трябва да остане близо до електрическия контакт и лесно достъпно, докато зарежда.

Проверка на нивото на батерията

Натиснете и задръжте едновременно бутон за усилване на звука и мултифункционалния бутон за 1 секунда. Лампичката за уведомления премигва три пъти в зависимост от състоянието на зареждането.

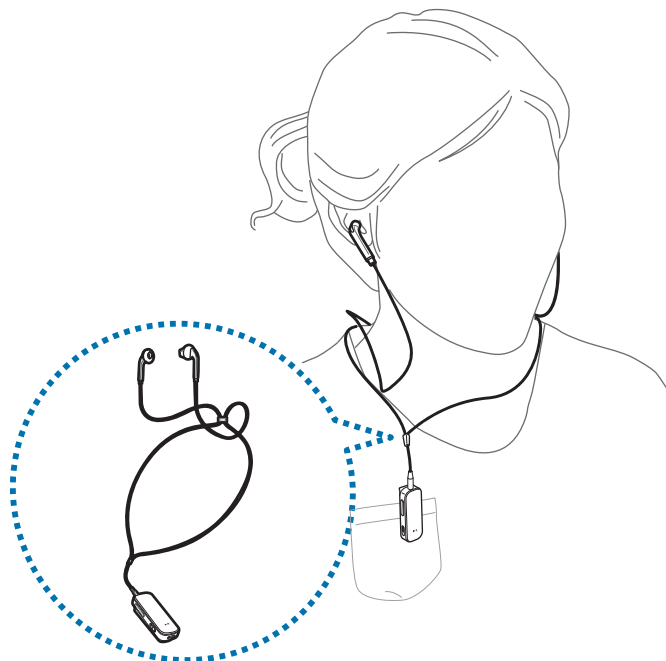
Състояние	Цвят
По-малко от 30%	• Червен
30 - 60%	• Жълт
Повече от 60%	• Зелен

Носене на устройството и слушалките

Свържете доставените слушалки към Level Link и ги носете около врата си.




- 1 Включете слушалките в аудио жака на Level Link.
- 2 Регулирайте клипса на слушалките, за да оформите достатъчно широка примка, през която да прекарате главата си.

- 3 Защипете Level Link на вашите дрехи.
- 4 Носете слушалките около врата си и пъхнете тапите за уши.



Бъдете внимателни при използване на това устройство със слушалки с кабел. Можете да се задушите ако слушалките се усучат около врата ви.

Включване и изключване на устройството

-  : Активирайте режим на приемане.
-  : Активирайте режим на изпращане.
-  : Изключете устройството.



Следвайте всички публикувани предупреждения и указания от оторизирания персонал в места, в които използването на безжични устройства е ограничено, като самолети и болници.

Използване на устройството

Bluetooth

За Bluetooth

Bluetooth е стандарт за безжична технология, която използва честота 2,4 GHz за свързване към различни устройства на близки разстояния. Тя може да се свързва и да обменя с други устройства, поддържащи функцията Bluetooth, като мобилни устройства, компютри, принтери и друга цифрови битови уреди без свързване чрез кабели.

Бележки за използването на Bluetooth

- За да предотвратите проблеми при свързване на вашето устройство с друго, разположете устройствата в близост помежду им.
- Вашето устройство и другото Bluetooth устройство трябва да бъдат в диапазона за свързване чрез Bluetooth (10 м). Разстоянието може да се различава в зависимост от средата, в която се използва устройството.
- Уверете се, че между слушалките и свързаното устройство няма препятствия, включително човешки тела, стени, ъгли или огради.
- Не докосвайте Bluetooth антената на свързано устройство.
- Bluetooth използва същата честота като някои промишлени, научни, медицински или нискомощностни продукти и могат да се получат смущения, когато осъществявате връзки близо до тези видове продукти.
- Някои устройства, особено тези, които не са тествани и одобрени от Bluetooth SIG, може да не са съвместими със слушалките.
- Не използвайте Bluetooth функцията за незаконни цели (например пиратски копия на файлове или незаконно подслушване на комуникации за търговски цели).

Свързване на други устройства



Качеството на звука и диапазонът за използване между Level Link и свързаните аудио устройства може да се различават в зависимост от поддържащите функцията Bluetooth аудио устройства.

Свързване в режим на приемане

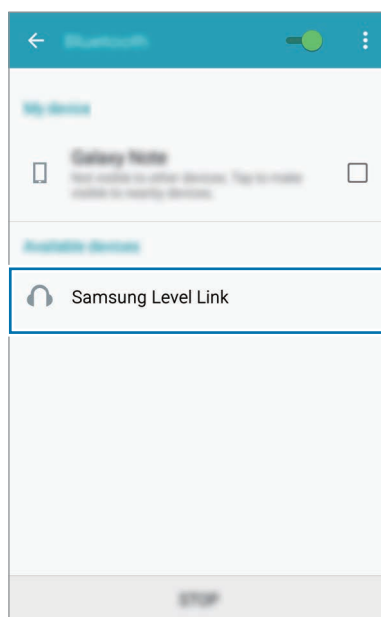
Можете да получавате входящи повиквания или да слушате музика, когато вашият Level Link е свързан към устройства, поддържащи функцията Bluetooth. Когато включите Level Link за пръв път, той навлиза в режим на сдвояване чрез Bluetooth.



- При сдвояване на Level Link с други устройства чрез Bluetooth за първи път, Level Link автоматично се свързва със сдвоените устройства. Ако Level Link не успее да се свърже, той влиза в режим на сдвояване чрез Bluetooth.
- Level Link може да съхранява информация за до осем устройства. Ако Level Link е бил свързан с повече от едно устройство, той се свързва с най-скоро сдвоеното устройство.

- 1 Level Link** Плъзнете превключвателя Режим наляво, за да активирате режим на приемане.
- 2 Level Link** Натиснете и задръжте мултифункционалния бутон за около 3 секунди, за да влезете в режим на сдвояване чрез Bluetooth.
- 3 Друго устройство** Активирайте функцията Bluetooth и потърсете Bluetooth устройства. За повече информация вижте ръководството за потребителя на другото устройство.

4 Друго устройство Чукнете Samsung Level Link от списъка.



5 Level Link Свържете слушалките към Level Link.

Или свържете Level Link към жака за аудио вход на аудио устройство чрез аудио кабел.



В този режим ако свържете Level Link чрез аудио кабел към жака за аудио изход на телевизор или компютър, вашият Level Link може да бъде повреден.

Свързване в режим на изпращане

Свържете вашето устройство с мултимедия плейър чрез аудио кабела. Можете да слушате мултимедийни файлове чрез друго аудио устройство като Bluetooth слушалка. Когато включите Level Link за пръв път, той навлиза в режим на сдвояване чрез Bluetooth.



- При сдвояване на Level Link с други устройства чрез Bluetooth за първи път, Level Link автоматично се свързва със сдвоените устройства. Ако Level Link не успее да се свърже, той влиза в режим на сдвояване чрез Bluetooth.
- Level Link може да съхранява информация за до осем устройства. Ако Level Link е бил свързан с повече от едно устройство, той се свързва с най-скоро сдвоеното устройство.

- 1 Level Link** Плъзнете превключвателя Режим надясно, за да активирате режим на изпращане.
- 2 Level Link** Натиснете и задръжте мултифункционалния бутон за около 3 секунди, за да влезете в режим на сдвояване чрез Bluetooth.
- 3 Level Link** Разположете вашия Level Link в рамките на 30 см от сдвоеното аудио устройство. Level Link и аудио устройството са свързани чрез Bluetooth. Ако връзката се разпадне, изключете аудио устройството и го включете отново. След това повторете горните стъпки.
- 4** Включете аудио кабела в аудио жака на Level Link. След това включете другия край на аудио кабела в жака за аудио изход на мултимедия плейъра.



- Методът на свързване чрез Bluetooth може да се различава в зависимост от свързаните устройства. За повече информация вижте ръководството на потребителя на свързаното устройство.
- При свързване на Level Link с телевизор в режим на изпращане може да възникнат проблеми със синхронизирането на говора. Препоръчваме да свързвате Level Link с телевизори, поддържащи aptX Low Latency кодек.
- При използване на Level Link с мултимедия плейър намалете звука на мултимедия плейъра преди да изключите аудио кабела, за да предотвратите внезапни, силни звуци.
- Възможно е да се получат спадове в силата на звука и шума в зависимост от силата на звука на свързания мултимедия плейър. За да избегнете това, регулирайте подходящо звука на мултимедия плейъра.

Свързване на допълнителни устройства

В режим на приемане или изпращане вашият Level Link може да се свърже с до две устройства чрез Bluetooth.

- 1 В режим на приемане или изпращане свържете вашия Level Link с първото устройство.
- 2 Свържете Level Link с второ устройство чрез Bluetooth, с помощта на метода на свързване, използван за първото устройство.



- В режим на приемане ако Level Link не се появи в списъка на откритото устройство, натиснете и задръжте мултифункционалния бутон за около 3 секунди, за да влезете в режим на сдвояване чрез Bluetooth.
- В режим на изпращане Level Link поддържа нисколатентния кодек aptX, когато е свързан към едно аудио устройство. Ако към Level Link са свързани едновременно две устройства, кодекът aptX не се поддържа и видео и аудио изходните свойства не могат да се синхронизират.
- В режим на изпращане диапазонът на използване между Level Link и други устройства може да бъде намален.

Повторно свързване или прекратяване на връзката с други устройства

Повторно свързване на устройствата

Ако връзката между вашия Level Link и аудио устройството бъде прекъсната поради голямо разстояние между устройствата, приближете устройствата и натиснете мултифункционалния бутон, за да ги сдвоите отново. Или можете да използвате Bluetooth менюто на аудио устройството, за да сдвоите устройствата.

Прекратяване на връзката между устройствата

За да прекратите връзката между Level Link и аудио устройството, изключете вашето устройство или раздвоите устройствата. Ако сте свързали устройствата с аудио кабел, изключете кабела и от двете устройства.

Използване на режимите на приемане и изпращане

В режим на приемане можете да стартирате S Voice, да приемете входящи повиквания или да възпроизведете мултимедийни файлове. В този режим използвайте вашия Level Link със слушалки или свържете Level Link към аудио устройство чрез аудио кабел.

В режим на изпращане можете да слушате аудио файлове от мултимедия плейъра чрез свързаното аудио устройство.



- Наличните функции може да се различават в зависимост от устройството, към което се свързвате. Някои функции може да не са налични ако Level Link е свързан едновременно към две устройства.
- Някои функции са налични само когато Level Link се свързва с устройство чрез профила свободни ръце (HFP).
- Местоположението на микрофона се различава в зависимост от това как носите Level Link. Положението на Level Link може да засегне качеството на звука по време на повиквания.

Стартиране на S Voice

Натиснете мултифункционалния бутон за 1 секунда. Ако свързаното устройство поддържа S Voice, можете да използвате приложението чрез Level Link.

Приемане и отхвърляне на повиквания

Приемане на повикване

Натиснете бутона за повикване, за да приемете повиквания, насочени към свързаното устройство.

Отхвърляне на повикване

Натиснете и задръжте бутона за повикване, за да отхвърлите повиквания, насочени към свързаното устройство.

Използване на опции по време на повикване

Регулиране на силата на звука

По време на повикване натиснете бутона за сила на звука, за да регулирате силата на звука.

Превключване на звуковия сигнал

Натиснете и задръжте бутона за повикване, за да прехвърлите повикванията от Level Link към свързаното устройство. Тази функция може да не бъде налична в зависимост от свързаното устройство.

Прекратяване на повикване

Натиснете бутона за повикване, за да прекратите повикване.

Възпроизвеждане на мултимедийни файлове

Възпроизвеждайте мултимедийни файлове в режим на приемане или режим на изпращане. Наличните функции може да се различават в зависимост от използвания режим.

Възпроизвеждане и спиране на мултимедийен файл

Натиснете мултифункционалния бутон, за да възпроизведете най-скорошния мултимедийен файл на свързаното устройство.

Натиснете мултифункционалния бутон за да паузирате възпроизвеждането. За да възобновите възпроизвеждането, натиснете мултифункционалния бутон отново.

Прескачане към предишния или следващия мултимедийен файл.

Натиснете бутона за превъртане назад или бутона за бързо превъртане напред, за да прескочите към предишния или следващия файл по време на възпроизвеждане.

Превъртане назад или бързо превъртане напред на мултимедийния файл

Натиснете и задръжте бутона за превъртане назад или бутона за бързо превъртане напред, за да превъртите назад или бързо напред файла по време на възпроизвеждане.

Регулиране на силата на звука

Натиснете бутона за сила на звука, за да регулирате силата на звука.



- Ако Level Link е свързан към две устройства, можете да възпроизведете мултимедийни файлове и от двете устройства. За да възпроизведете мултимедийен файл от различно устройство, най-напред паузирайте възпроизвеждането от другото устройство.
- Ако възпроизведете мултимедийен файл от едното устройство, вие все още можете да приемате повиквания от другото устройство.
- Ако има разлики в изходящата мощност на аудио кабела и свързаното устройство в режим на изпращане, силата на звука на Level Link може да се различава.

Извършване на нулиране на данни

Когато вашият Level Link е свързан с устройство чрез Bluetooth, информацията за Level Link като Bluetooth адрес и тип на устройството се съхранява в свързаното устройство. За да изтриете информацията за връзката с Level Link, натиснете и задръжте мултифункционалния бутон за около 3 секунди, за да влезете в режим на сдвояване чрез Bluetooth. След това натиснете и задръжте бутона за превъртане назад, бутона за бързо превъртане напред и мултифункционалния бутон едновременно за 3 секунди.

Приложение

Отстраняване на неизправности

Преди да се свържете със сервизен център на Samsung, моля, опитайте някои от следните решения. Някои ситуации може да не са приложими за вашето устройство.

Устройството ви не се включва

Ако батерията е напълно изтощена, устройството ви няма да се включи. Заредете батерията напълно преди да включите устройството.

Батерията не се зарежда правилно (за зарядни устройства, одобрени от Samsung)

- Уверете се, че зарядното устройство е включено правилно.
- Посетете сервизен център на Samsung и подменете батерията.

Друго Bluetooth устройство не може да открие вашето устройство

- Уверете се, че устройството ви е в режим на сдвояване чрез Bluetooth.
- Нулирайте устройството и потърсете Bluetooth устройства.
- Вашето устройство и другото Bluetooth устройство трябва да бъдат в диапазона за свързване чрез Bluetooth (10 м).

Ако горните съвети не разрешат проблема, свържете се със сервизен център на Samsung.

Не може да бъде открито друго Bluetooth устройство

- Уверете се, че устройството, което искате да свържете, поддържа безжичната функция Bluetooth.
- Устройството и другото Bluetooth устройство трябва да са в максималния диапазон за Bluetooth (10 м).

Bluetooth връзката се прекъсва често

- Ако между устройствата има препятствия, може да е нужно да намалите оперативното разстояние.
- Устройството и другото Bluetooth устройство трябва да са в максималния диапазон за Bluetooth (10 м).
- При използване на устройството с други Bluetooth устройства връзката може да бъде повлияна от електромагнитни вълни. Използвайте устройството в места с по-малко налични безжични устройства.

Не можете да чуete когато други говорят

- Регулирайте силата на звука на устройството.
- Регулирайте силата на звука на свързаното устройство, когато не можете да чуete звуци на своето устройство при пълна сила на звука.

По време на повикване се получава ехо

Регулирайте силата на звука чрез натискане на бутона за сила на звука или се преместете на друго място.

Другите не могат да ви чуят когато говорите по време на повикване

- Уверете се, че не покривате вградения микрофон.
- Уверете се, че микрофонът е близо до устата ви.

Качеството на звука е ниско

- Безжичните мрежови услуги може да са деактивирани поради проблеми с мрежата на доставчика на услуги. Устройството трябва да се държи надалече от електромагнитни вълни.
- Устройството и другото Bluetooth устройство трябва да са в максималния диапазон за Bluetooth (10 м).

Устройството работи различно от описаното в ръководството

- Наличните функции може да се различават в зависимост от свързаното устройство.
- Някои функции не могат да се използват ако две устройства са свързани с устройството едновременно.

Батерията се изтощава по-бързо, отколкото при закупуването ѝ.

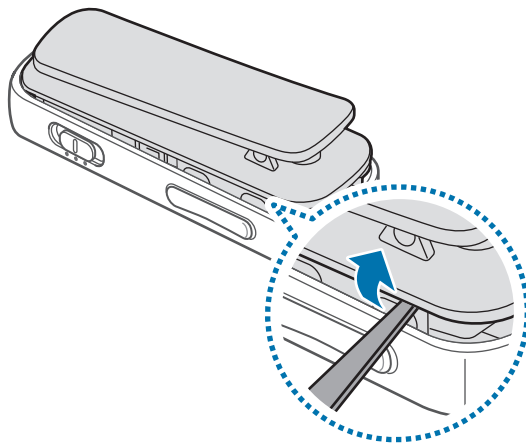
- Ако изложите устройството или батерията на много високи или много ниски температури, полезният заряд може да се намали.
- Батерията е консуматив и полезният заряд ще става по-малък с течение на времето.

Изваждане на батерията (неотстраним тип)



- Тези инструкции са предназначени само за вашия доставчик на услуги или упълномощен сервизен център.
- Повредите и неизправностите, причинени от неупълномощено отстраняване на батерията не се покриват от гаранцията.
- За да отстраните или подмените батерията, свържете се с вашия доставчик на услуги или упълномощен сервизен център.

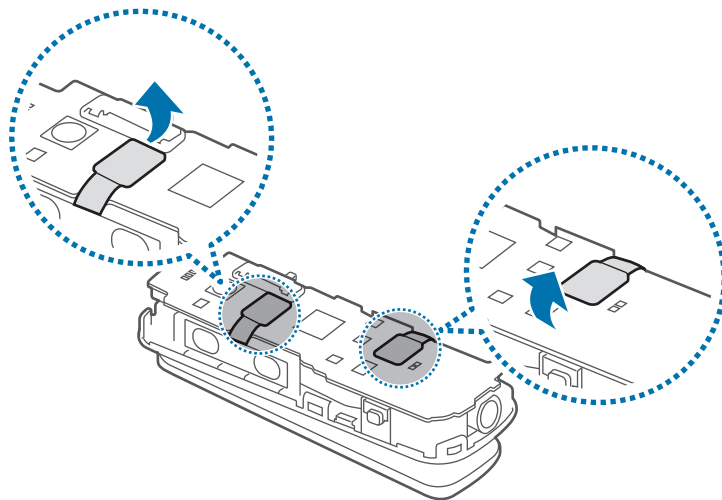
- 1 Пъхнете тънък, плосък инструмент в цепнатината между капака и корпуса на устройството. След това използвайте инструмента, за да ги отделите, както е показано на изображението по-долу.



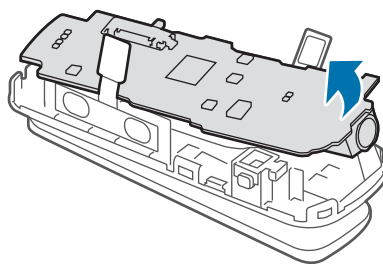
- При вкарване на инструмента внимавайте да не повредите вътрешните компоненти на устройството.

- 2 Когато капакът се отдели, поставете го настрани.

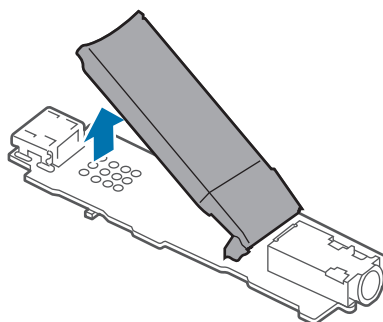
3 Изключете конекторите на батерията.



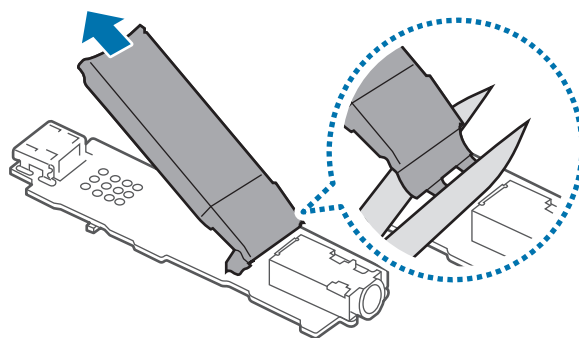
4 Отстранете печатната платка като я отделите от корпуса на устройството и я поставете с лицето надолу върху гладка повърхност.



5 Натиснете надолу порта за зареждане и издърпайте батерията нагоре, за да я освободите от печатната платка.



- 6 Издърпайте батерията настрани от печатната платка и прекъснете връзките на мястото, указано на изображението по-долу.



- 7 Отстранете батерията.

Декларация за съответствие

Информация за продукта

За следния

Продукт : Bluetooth ключ за порт

Модел (и) : EO-RG920



Декларация и приложими стандарти

С настоящото декларираме, че горният продукт е в съответствие с основните изисквания на Директивата за R&TTE (1999/5/EO) чрез прилагане на:

Безопасност	EN 60950-1 : 2006 + A11 : 2009 + A1 : 2010 + A12 : 2011
SAR	EN 50566 : 2013 EN 62479 : 2010
Електромагнитна съвместимост	EN 301 489-01 V1.9.2 (2011-09) EN 301 489-17 V2.2.1 (2012-09)
Radio	EN 300 328 V1.8.1 (2012-06)

и с Директива (2011/65/EC) относно ограничението за употребата на определени опасни вещества в електрическото и електронното оборудване чрез прилагане на EN 50581:2012.

Представител в ЕС

Samsung Electronics Euro QA Lab.
Blackbushe Business Park
Saxony Way, Yateley, Hampshire
GU46 6GG, UK



2015.01.27

(място и дата на издаване)

Stephen Colclough / Представител на ЕС

(име и подпис на упълномощеното лице)

* Това не е адресът на Центъра за обслужване на Samsung. За адреса или телефона на Центъра за обслужване на Samsung вижте гаранционната карта или се свържете с търговеца на дребно, от когото сте закупили продукта.

Copyright

Copyright © 2015 Samsung Electronics

Това ръководство е защитено от международни закони за авторски права.

Никоя част от ръководството не може да бъде възпроизвеждана, разпространявана, превеждана или прехвърляна под каквато и да е форма или по какъвто и да е начин, електронен или механичен, в това число фотокопиране, запис или съхранение в каквато и да е система за информационно съхранение и извличане, без предварителното разрешение на Samsung Electronics.

Търговски марки

- SAMSUNG и логото на SAMSUNG са регистрирани търговски марки на Samsung Electronics.
- Bluetooth® е регистрирана търговска марка на Bluetooth SIG, Inc. за целия свят.
- Всички други търговски марки и авторски права са собственост на съответните им собственици.

Najprije pročitajte

Prije uporabe uređaja pažljivo pročitajte ovaj priručnik kako biste osigurali sigurnu i pravilnu uporabu.

- Opisi se temelje na tvorničkim postavkama uređaja.
- Slike se mogu razlikovati od stvarnog proizvoda. Sadržaj je podložan promjeni bez prethodne obavijesti.

Korišteni simboli



Upozorenje: Situacije u kojima se vi ili druge osobe možete ozlijediti



Oprez: Situacije u kojima se mogu oštetiti vaš uređaj ili druga oprema



Napomena: Napomene, praktični savjeti ili dodatne informacije

Kako započeti

O uređaju Level Link

Level Link podržava i način rada primanje i način rada slanje. U načinu rada primanje možete slušalice priključiti na Level Link i koristiti kao ga Bluetooth slušalice za uređaje koji podržavaju Bluetooth, kao što su pametni telefoni ili tableti. U načinu rada slanje uređaj možete koristiti kao ključić za povezivanje s računalima, TV prijateljima, Bluetooth slušalicama i dr.

U načinu rada primanje možete koristiti sljedeće funkcije:

- Pokretanje aplikacije S Voice
- Prianje ili završavanje poziva
- Upravljanje multimedijским datotekama

U načinu rada slanje možete reproducirati zvuk priključenih multimedijских uređaja.

Sadržaj pakiranja

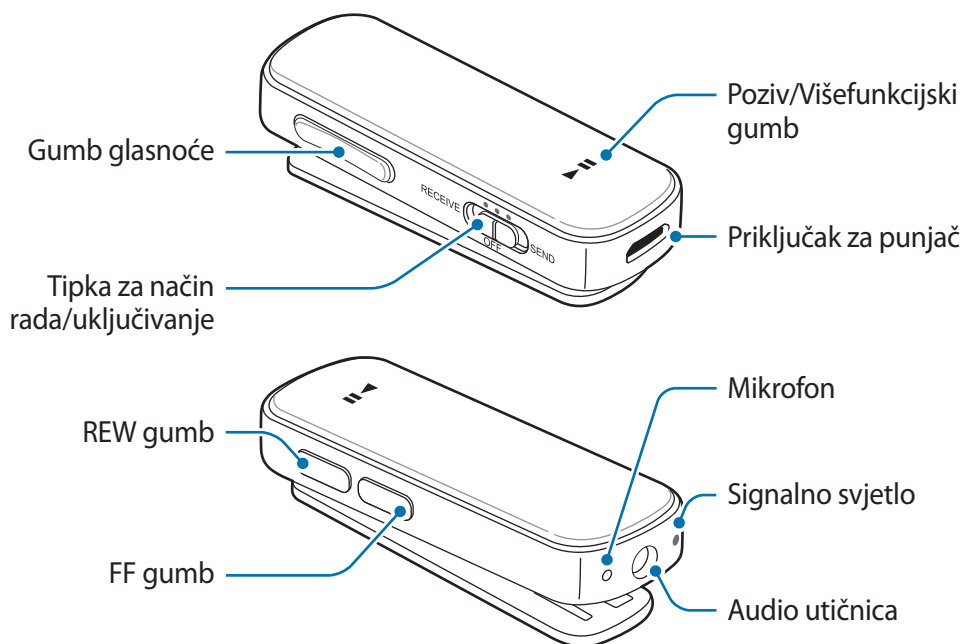
Provjerite nalaze li se u kutiji proizvoda sljedeće stavke:

- Uređaj
- Slušalice
- USB kabel
- Audio kabel
- Kratke upute



- Stavke isporučene s uređajem i sav dostupan dodatni pribor mogu se razlikovati ovisno o regiji i pružatelju usluga.
- Isporučene stavke namijenjene su isključivo ovom uređaju i ne moraju nužno biti kompatibilne s drugim uređajima.
- Izgled i specifikacije podložni su promjeni bez prethodne obavijesti.
- Dodatni pribor možete nabaviti u lokalnim trgovinama Samsungovim proizvodima. Prije kupnje provjerite je li pribor kompatibilan s uređajem.
- Koristite samo pribor koji je odobrila tvrtka Samsung. Korištenje neodobrenog pribora može izazvati probleme i greške u radu koji nisu pokriveni jamstvom.
- Dostupnost cjelokupnog pribora podliježe promjenama i u potpunosti ovisi o proizvođačima. Za više informacija o dostupnom priboru pogledajte Samsungova internetska mjesta.

Prikaz uređaja



Gumbi i funkcije

Naziv	Funkcija
Tipka za način rada/ uključivanje	<ul style="list-style-type: none"> • Kliznite lijevo za aktiviranje načina rada primanje i kliznite desno za aktiviranje načina rada slanje. • Kližite na OFF za isključivanje uređaja.
Poziv/Višefunkcijski gumb	<ul style="list-style-type: none"> • U načinu rada primanje pritisnite i držite 1 sekundu za pokretanje aplikacije S Voice. • U načinu rada primanje pritisnite za odgovor na poziv ili završavanje poziva. • U načinu rada primanje pritisnite i držite za odbijanje poziva. • U načinu rada primanje pritisnite i držite za prijenos poziva s Level Linka na vaš drugi uređaj, ili obratno. • U načinu rada primanje pritisnite za reproduciranje ili zaustavljanje multimedijских datoteka. • U načinu rada primanje ili slanje pritisnite i držite 3 sekunde za ulazak u način rada uparivanja putem Bluetooth veze.
Gumb glasnoće	<ul style="list-style-type: none"> • U načinu rada primanje pritisnite za podešavanje glasnoće tijekom poziva. • U načinu rada primanje pritisnite za podešavanje glasnoće tijekom reproduciranja multimedijских datoteka.
REW gumb / FF gumbi	<ul style="list-style-type: none"> • U načinu rada primanje pritisnite za reproduciranje prethodne ili sljedeće multimedijске datoteke tijekom reproduciranja. • U načinu rada primanje pritisnite i držite za prematanje ili za brzo prebacivanje multimedijске datoteke prema naprijed tijekom reproduciranja.

Indikator statusa

Status	Boja
Način rada uparivanja putem Bluetooth veze	<ul style="list-style-type: none"> • Treperenje crveno, zeleno i plavo
Uključivanje napajanja ili aktiviranje načina rada	<ul style="list-style-type: none"> • Treperenje plavo 3 puta

Status	Boja
Isključeno	• Treperenje crveno 3 puta
Dolazni poziv	• Treperenje plavo

Punjenje baterije

Prije prvog korištenja uređaja Level Link ili nakon što Level Link nije bio korišten dulje vrijeme napunite bateriju.

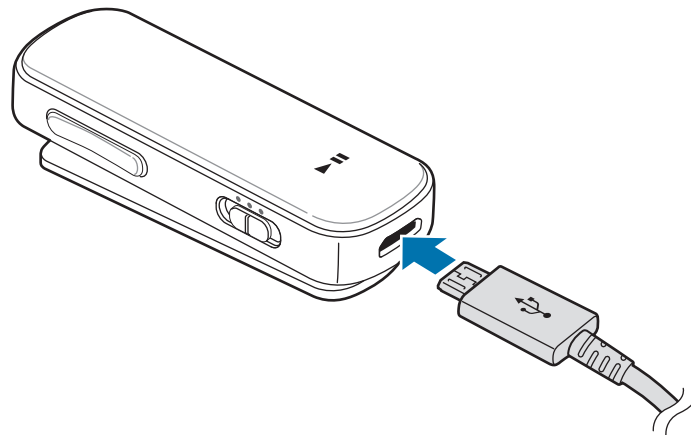


Koristite samo punjače, baterije i kabele koje je odobrila tvrtka Samsung. Neodobreni punjači ili kabele mogu izazvati eksploziju baterije ili oštećenje slušalica.



Ako je baterija potpuno ispražnjena slušalice ne može se uključiti odmah nakon što se priključi punjač. Ostavite da se ispražnjena baterija puni nekoliko minuta prije uključivanja slušalica.

Povežite uređaj na računalo ili USB punjač putem USB kabela.



Neispravno priključivanje punjača može izazvati ozbiljna oštećenja na uređaju. Oštećenja izazvana pogrešnim rukovanjem nisu pokrivena jamstvom.



- Uređaj se može koristiti tijekom punjenja, no potpuno punjenje baterije može trajati dulje vremena.
- Tijekom punjenja uređaj se može zagrijati. To je normalno i ne bi trebalo utjecati na vijek trajanja uređaja ili na njegovo funkcioniranje. Ako se baterija ugrije više nego što je uobičajeno, punjač može prestati puniti.
- Ako se uređaj ne puni, odnesite uređaj i punjač u Samsungov servis.

Nakon što se baterija u potpunosti napunila, isključite uređaj s punjača. Prvo izvucite punjač iz uređaja, a zatim ga isključite iz električne utičnice.



Za uštedu energije, isključite punjač iz strujne utičnice kad se ne koristi. Punjač nema tipku za uključivanje i isključivanje napajanja, stoga kad se punjač duže vrijeme ne koristi isključite ga iz strujne utičnice kako bi se izbjeglo nepotrebno trošenje struje. Tijekom punjenja punjač treba biti blizu strujne utičnice i lako dostupan.

Provjera razine napunjenosti baterije

Istovremeno pritisćite i držite gumb za povećanje glasnoće i višefunkcijski gumb 1 sekundu. Signalno svjetlo zatreperit će tri puta u različitim bojama zavisno o statusu punjenja.

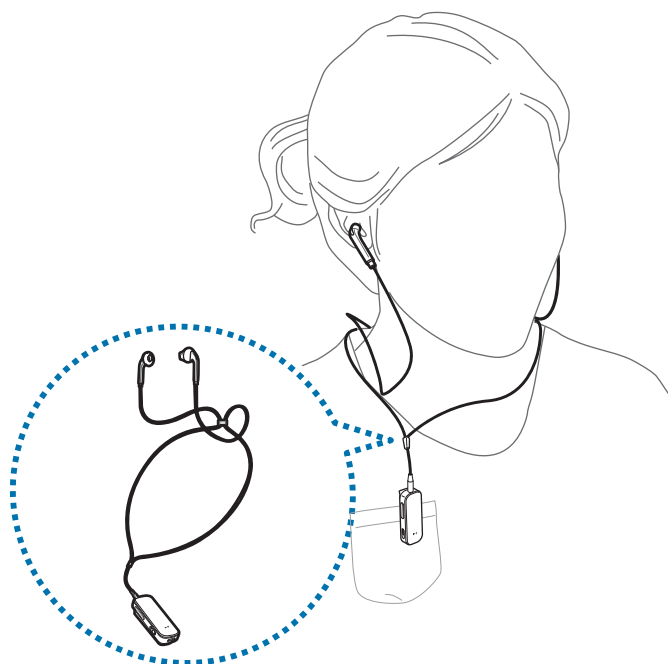
Status	Boja
Manje od 30%	• Crvena
30-60%	• Žuta
Više od 60%	• Zelena

Nošenje uređaja i slušalica

Priključite isporučene slušalice na Level Link i nosite ih oko vrata.

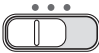


- 1 Utaknite slušalicu u audio utičnicu uređaja Level Link.
- 2 Pomoću kopče napravite omču dovoljne veličine da provučete glavu.

- 3 Prikopčajte Level Link na odjeću.
- 4 Nosite slušalice oko vrata i utaknite ušne umetke.



Budite oprezni pri korištenju ovog uređaja s ožičenim slušalicama. Ako vam se slušalice omotaju oko vrata možete doći do gušenja.

Uključivanje i isključivanje uređaja

-  : Aktiviranje načina rada primanja.
-  : Aktiviranje načina rada slanja.
-  : Isključite uređaj.



U prostorima u kojima je korištenje bežičnih uređaja ograničeno, kao što su zrakoplovi i bolnice, pridržavajte se svih istaknutih upozorenja ili uputa ovlaštenih osoba.

Uporaba uređaja

Bluetooth

O funkciji Bluetooth

Bluetooth je standard bežične tehnologije koji koristi frekvenciju od 2,4 GHz za povezivanje na različite uređaje na kratkoj udaljenosti. Može se bez korištenja kablova povezati i razmjenjivati podatke s drugim uređajima koji podržavaju funkciju Bluetooth, kao što su mobilni uređaji, računala, pisači i ostali digitalni kućni uređaji.

Napomene vezane uz uporabu Bluetootha

- Radi izbjegavanja problema u povezivanju vašeg uređaja s drugim uređajima, postavite uređaje blizu jedan drugome.
- Vodite računa da su vaš uređaj i drugi Bluetooth uređaj unutar raspona povezivanja putem Bluetooth veze (10 m). Udaljenost može varirati ovisno o okružju u kojem se uređaji koriste.
- Osigurajte da između slušalica i spojenog mobilnog uređaja nema prepreka, uključujući ljude, zidove, kutove ili ograde.
- Ne dodirujte Bluetooth antenu spojenog uređaja.
- Bluetooth koristi istu frekvenciju kao i neki industrijski, znanstveni, medicinski i niskonaponski proizvodi te može doći do pojave interferencije kada se uspostavlja veza u blizini ovih proizvoda.
- Neki uređaji, posebno oni koji nisu testirani ili odobreni od strane Bluetooth SIG-a mogu biti nekompatibilni s slušalicom.
- Ne koristite Bluetooth funkciju za nezakonite namjene (na primjer za piratske kopije datoteka ili nezakonito prisluškivanje za komercijalne svrhe).

Spajanje s drugim uređajima



Kvaliteta zvuka i domet korištenja između Level Linka i povezanih audio uređaja mogu varirati ovisno o audio uređajima s omogućenom Bluetooth vezom.

Povezivanje u načinu rada primanje

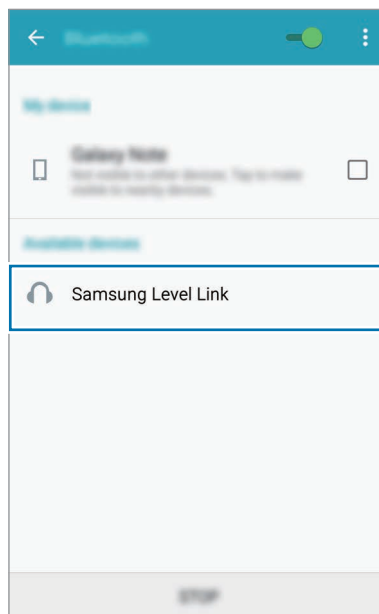
Možete primati dolazne pozive ili slušati glazbu kad je Level Link povezan na uređaje s omogućenom Bluetooth vezom. Kada uključujete Level Link po prvi put, uređaj ulazi u Bluetooth način uparivanja.



- Kad se Level Link prvi put uparuje s drugim uređajima putem Bluetooth veze, Level Link automatski se povezuje s uparenim uređajima. Ako se Level Link ne uspije povezati, on ulazi u način uparivanja putem Bluetooth veze.
- Level Link može pohranjivati informacije o uređajima za do osam uređaja. Ako je Level Link bio povezan s više od jednim uređajem, povezuje se na posljednji uređaj s kojim je bio uparen.

- 1 Level Link** Kličite tipkom za način rada u lijevo kako biste aktivirali način rada primanje.
- 2 Level Link** Pritisnite i držite višefunkcijski gumb otprilike 3 sekunde za ulazak u način rada uparivanja putem Bluetooth veze.
- 3 Drugi uređaj** Aktivirajte Bluetooth funkciju i tražite Bluetooth uređaje.
Za više informacija pogledajte korisnički priručnik drugog uređaja.

4 **Drugi uređaj** Dodirnite **Samsung Level Link** s popisa.



5 **Level Link** Povežite slušalice na uređaj Level Link.

Ili priključite Level Link na pomoćnu ulaznu utičnicu izlaznog audio uređaja putem audio kabela.



Ako u tom načinu rada Level Link povežete putem audio kabela na izlazni audio priključak TV prijemnika ili računala, Level Link se može oštetiti.

Povezivanje u načinu rada slanje

Spojite vaš uređaj s multimedijским playerom pomoću audio kabela. Možete slušati multimedijске datoteke putem drugog audio uređaja, npr. Bluetooth slušalicama. Kada uključujete Level Link po prvi put, uređaj ulazi u Bluetooth način uparivanja.



- Kad se Level Link prvi put uparuje s drugim uređajima putem Bluetooth veze, Level Link automatski se povezuje s uparenim uređajima. Ako se Level Link ne uspije povezati, on ulazi u način uparivanja putem Bluetooth veze.
- Level Link može pohranjivati informacije o uređajima za do osam uređaja. Ako je Level Link bio povezan s više od jednim uređajem, povezuje se na posljednji uređaj s kojim je bio uparen.

- 1 Level Link** Kližite tipkom za način rada u desno kako biste aktivirali način rada slanje.
- 2 Level Link** Pritisnite i držite višefunkcijski gumb otprilike 3 sekunde za ulazak u način rada uparivanja putem Bluetooth veze.
- 3 Level Link** Postavite Level Link uređaj u krugu od 30 cm od uparenog audio uređaja. Level Link i audio uređaj sad su povezani putem Bluetooth veze. Ako povezivanje ne uspije isključite audio uređaj i ponovno ga uključite. Nakon toga ponovite gornje korake.
- 4** Utaknite audio kabel u audio utičnicu uređaja Level Link. Zatim utaknite drugi kraj audio kabela u izlaznu audio utičnicu multimedijskog playera.



- Način spajanja putem Bluetooth funkcije može se razlikovati ovisno o spojenim uređajima. Za više informacija pogledajte korisnički priručnik spojenog uređaja.
- Kad je Level Link povezan s televizorom u načinu rada slanje može doći do problema u sinkroniziranju govora s pokretom usana. Preporučuje se povezati Level Link na televizor koji podržava aptX kodek za nisku latenciju.
- Kad koristite Level Link s multimedijским playerom, prije isključivanja audio kabela smanjite glasnoću na multimedijском playeru kako biste spriječili iznenadne glasne zvukove.
- Ovisno o glasnoći povezanog multimedijskog playera može doći do smanjenja glasnoće ili do šuma. Kako biste to izbjegli, odgovarajuće podesite glasnoću multimedijskog playera.

Povezivanje dodatnih uređaja

U načinu rada primanje ili slanje Level Link može se putem Bluetooth veze povezati najviše na dva uređaja.

- 1 U načinu rada primanje ili slanje povežite Level Link s prvim uređajem.
- 2 Povežite Level Link s drugim uređajem putem Bluetooth veze koristeći način povezivanja koji ste primijenili za prvi uređaj.



- U načinu rada primanje, ako se Level Link ne pojavi na popisu pronađenih uređaja, pritisnite i držite višefunkcijski gumb otprilike 3 sekunde za ulazak u način rada uparivanja putem Bluetooth veze.
- U načinu slanja Level Link podržava aptX kodek niske latencije kad je spojen na jedan audiouređaj. Ako su dva uređaja istovremeno spojena na Level Link, aptX kodek nije podržan i video i audioulaz možda neće biti sinkronizirani.
- U načinu rada slanje može se smanjiti radni doseg između Level Linka i drugih uređaja.

Ponovno spajanja ili odspajanje s drugih uređaja

Ponovno spajanje uređaja

Ako se veza između Level Link uređaja i audio uređaja prekine zbog udaljenosti između uređaja, približite uređaje i za njihovo ponovno uparivanje pritisnite višefunkcijski gumb. Ili možete za uparivanje uređaja koristiti Bluetooth izbornik na audio uređaju.

Odspajanje uređaja

Za prekid veze između Level Link uređaja i audio uređaja isključite uređaj ili poništite uparivanje. Ako ste putem audio kabela povezali dva uređaja, izvadite kabel iz oba uređaja.

Korištenje načina rada primanje i načina rada slanje

U načinu rada slanje možete pokrenuti S Voice, odgovoriti na dolazne pozive ili reproducirati multimedijske datoteke. U tom načinu rada koristite Level Link sa slušalicama, ili povežite Level Link na audio uređaj putem audio kabela.

U načinu rada slanje možete slušati zvuk s multimedijskog playera putem povezanog audio uređaja.



- Dostupne funkcije mogu varirati ovisno o uređaju na koji ste povezani. Neke funkcije mogu biti nedostupne ako je Level Link istodobno povezan na dva uređaja.
- Neke su funkcije dostupne samo ako se Level Link povezuje na uređaj putem Hands-Free profila (HFP).
- Položaj mikrofona mijenja se ovisno o tome kako nosite Level Link. Položaj Level Linka može utjecati na kvalitetu zvuka tijekom poziva.

Pokretanje aplikacije S Voice

Pritišćite višefunkcijski gumb 1 sekundu. Ako povezani uređaj podržava S Voice možete koristiti aplikaciju putem uređaja Level Link.

Odgovaranje i odbijanje poziva

Odgovaranje na poziv

Za odgovaranje na pozive pristigle na povezani uređaj pritisnite gumb za poziv.

Odbijanje poziva

Za odbijanje poziva pristiglih na povezani uređaj pritisnite i držite gumb za poziv.

Korištenje opcija tijekom poziva

Podešavanje glasnoće

Za podešavanje glasnoće pritisnite gumb glasnoće tijekom poziva.

Prebacivanje izlaza zvuka

Za prijenos poziva s Level Linka na povezani uređaj pritisnite i držite gumb za poziv. Ova funkcija možda neće biti dostupna, ovisno o povezanom uređaju.

Prekidanje poziva

Pritisnite gumb za poziv da biste prekinuli poziv.

Reproduciranje multimedijских datoteka

Reproducirajte multimedijске datoteke u načinu rada primanje ili slanje. Dostupne funkcije mogu varirati ovisno o načinu rada koji se koristi.

Reproduciranje i zaustavljanje multimedijске datoteke

Za reproduciranje najnovije multimedijске datoteke na povezanom uređaju pritisnite višefunkcijski gumb.

Za stanku u reproduciranju pritisnite višefunkcijski gumb. Za nastavak reproduciranja ponovno pritisnite višefunkcijski gumb.

Preskakivanje na prethodnu ili sljedeću multimedijску datoteku

Za preskakivanje na prethodnu ili sljedeću datoteku tijekom reproduciranja pritisnite REW gumb ili FF gumb.

Premotavanje ili ubrzavanje multimedijske datoteke prema naprijed

Za premotavanje ili ubrzavanje datoteke prema naprijed tijekom reproduciranja pritisnite i držite REW gumb ili FF gumb.

Podešavanje glasnoće

Za podešavanje glasnoće pritisnite gumb glasnoće.



- Kad je Level Link povezan na dva uređaja, multimedijske datoteke možete reproducirati na bilo kojem od njih. Za reproduciranje multimedijske datoteke s jednog uređaja najprije napravite stanku u reproduciranju s drugog uređaja.
- Ako reproducirate multimedijsku datoteku s jednog uređaja, svejedno možete odgovarati na pozive s drugog uređaja.
- Ako postoji razlika u izlaznoj snazi audio kabela i povezanog audio uređaja u načinu slanje, glasnoća zvuka na Level Linku može varirati.

Resetiranje podataka

Kad je Level Link povezan na uređaj putem Bluetooth veze, informacije s Level Linka kao što su Bluetooth adresa i vrsta uređaja pohranjuju se na povezani uređaj. Za brisanje informacija o vezi Level Linka pritisnite i držite višefunkcijski gumb otprilike 3 sekunde za ulazak u način rada uparivanja putem Bluetooth veze. Nakon toga istodobno pritisnite i držite REW, FF i višefunkcijski gumb 3 sekunde.

Dodatak

Uklanjanje problema

Prije obraćanja Samsungovom servisu pokušajte neka od sljedećih rješenja. Neka rješenja možda se ne mogu primijeniti na vaš uređaj.

Uređaj se ne uključuje

Ako je baterija potpuno ispražnjena, uređaj se ne uključuje. Prije uključivanja uređaja potpuno napunite bateriju.

Baterija se ne puni ispravno (vrijedi za punjače koje je odobrio Samsung)

- Provjerite je li punjač pravilno priključen.
- Dajte zamijeniti bateriju u Samsungovom servisu.

Drugi Bluetooth uređaj ne može locirati vaš uređaj

- Provjerite je li vaš uređaj u načinu uparivanja putem Bluetooth veze.
- Resetirajte uređaj i potražite Bluetooth uređaje.
- Vodite računa da su vaš uređaj i drugi Bluetooth uređaj unutar raspona povezivanja putem Bluetooth veze (10 m).

Ako gornji savjeti ne pomognu u rješavanju problema, obratite se Samsungovom servisu.

Ne locira se drugi Bluetooth uređaj

- Vodite računa da uređaj s kojim se želite povezati podržava bežičnu Bluetooth funkciju.
- Vodite računa da su vaš uređaj i drugi Bluetooth uređaj unutar maksimalnog Bluetooth raspona (10 m).

Bluetooth veza često se prekida

- Ako postoje prepreke između uređaja tada se radna udaljenost može smanjiti.
- Vodite računa da su vaš uređaj i drugi Bluetooth uređaj unutar maksimalnog Bluetooth raspona (10 m).
- Kad koristite uređaj s drugim Bluetooth uređajima, na vezu mogu utjecati elektromagnetski valovi. Koristite uređaj u okruženjima s manje bežičnih uređaja.

Ne možete čuti glas sugovornika

- Podesite glasnoću uređaja.
- Podesite glasnoću na spojenom uređaju kad ne čujete zvukove na vašem uređaju u slučaju kada je glasnoća pojačana do kraja.

Odjekivanje zvuka tijekom poziva

Podesite glasnoću pritiskom na gumb glasnoće ili se premjestite na drugi položaj.

Sugovornici ne mogu čuti vaš glas

- Vodite računa da ne prekrivate ugrađeni mikrofon.
- Vodite računa da vam mikrofon bude u blizini usta.

Loša audio kvaliteta

- Usluge bežične mreže možda nisu omogućene zbog problema s mrežom pružatelja usluga. Vodite računa da uređaj bude udaljen od elektromagnetskih valova.
- Vodite računa da su vaš uređaj i drugi Bluetooth uređaj unutar maksimalnog Bluetooth raspona (10 m).

Uređaj ne radi kako je opisano u priručniku

- Dostupne funkcije mogu se razlikovati ovisno o povezanom uređaju.
- Neke se funkcije ne mogu koristiti kad su dva uređaja istodobno povezana s uređajem.

Baterija se prazni brže nego kad je kupljena

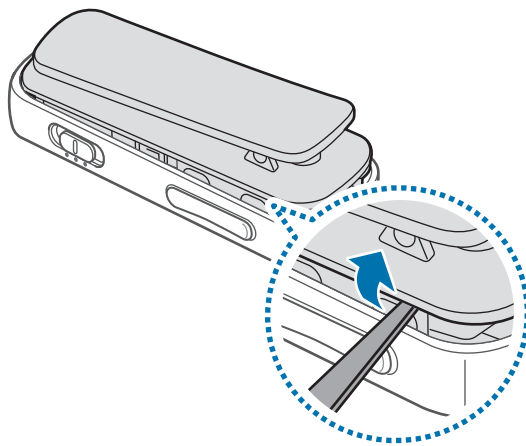
- Ako uređaj ili bateriju izložite vrlo visokim ili vrlo niskim temperaturama, korisna snaga punjenja može se smanjiti.
- Baterija je potrošni materijal i njena se korisna snaga s vremenom smanjuje.

Uklanjanje baterije (baterija nije namjenjena za uklanjanje)



- Ove su upute namijenjene samo vašem pružatelju usluga ili ovlaštenom serviseru.
- Jamstvo ne pokriva štetu ili kvarove uzrokovane neovlaštenim uklanjanjem baterije.
- Za uklanjanje ili zamjenu baterije obratite se svojem pružatelju usluga ili ovlaštenom serviseru.

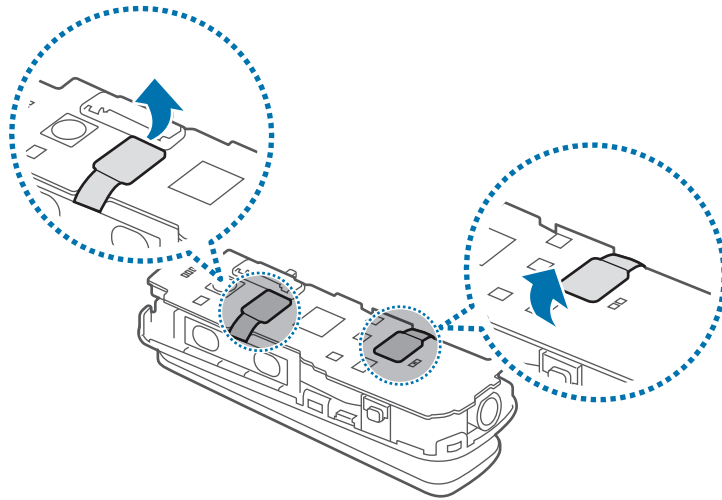
- 1 Umetnite tanki, plosnati alat u prorez između poklopca i kućišta uređaja.
Odvojite ova dva dijela alatom kako je prikazano na donjoj slici.



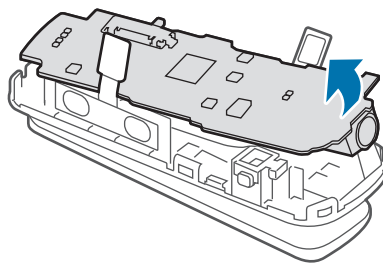
- Pri umetanju alata vodite računa da ne oštetite unutrašnje dijelove uređaja.

- 2 Kad ste odvojili poklopac odložite ga sa strane.

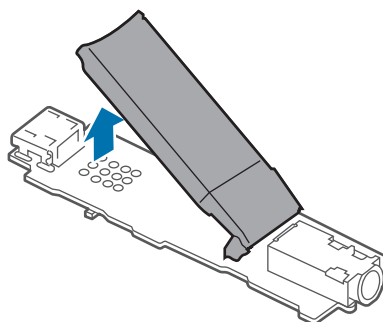
3 Odspojite konektore baterije.



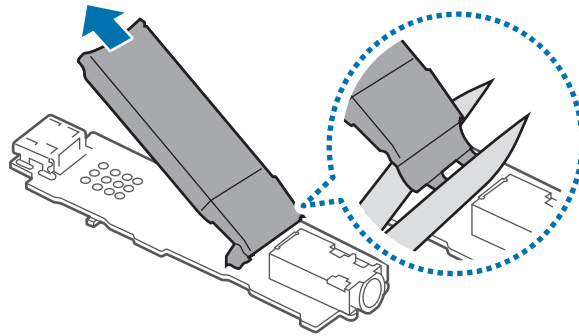
4 Odvojite tiskanu pločicu od kućišta uređaja, izvadite ju i položite licem prema dolje na ravnu površinu.



5 Pritisnite na priključak za punjenje i povucite bateriju prema gore kako biste ju oslobodili od tiskane pločice.



- 6 Odignite bateriju s tiskane pločice i odrežite spojeve na mjestu kako je prikazano na donjoj slici.



- 7 Uklonite bateriju.

Izjava o sukladnosti

Pojedinosti o proizvodu

Za sljedeći

Proizvod : Bluetooth Ključić

Model(i) : EO-RG920



Izjava i primjenjivi standardi

Ovdje izjavljujemo da je gorenavedeni proizvod sukladan osnovnim zahtjevima Direktive R&TTE (1999/5/EZ) primjenom sljedećih skupova standarda:

Sigurnost	EN 60950-1 : 2006 + A11 : 2009 + A1 : 2010 + A12 : 2011
SAR	EN 50566 : 2013 EN 62479 : 2010
EMC	EN 301 489-01 V1.9.2 (2011-09) EN 301 489-17 V2.2.1 (2012-09)
Radio	EN 300 328 V1.8.1 (2012-06)

te Direktive (2011/65/EU) o ograničavanju uporabe određenih opasnih tvari u električnim i elektroničkim uređajima primjenom EN 50581:2012.

Predstavnik u EU

Samsung Electronics Euro QA Lab.
Blackbushe Business Park
Saxony Way, Yateley, Hampshire
GU46 6GG, UK



2015.01.27

Stephen Colclough / Predstavnik EU

(mjesto i datum izdavanja)

(ime i potpis ovlaštene osobe)

* To nije adresa Samsungova servisnog centra. Adresu ili telefonski broj Samsungova servisnog centra potražite na jamstvenoj kartici ili se obratite maloprodajnoj tvrtki od koje ste kupili proizvod.

Autorsko pravo

Copyright © 2015 Samsung Electronics

Ovaj je priručnik zaštićen međunarodnim zakonima o zaštiti autorskih prava.

Niti jedan dio ovog priručnika ne smije se reproducirati, distribuirati, prevoditi ili prenositi u bilo kojem obliku, ni na koji način, elektronički ili mehanički, uključujući fotokopiranje, snimanje ili pohranjivanje na bilo kojem mediju za pohranu informacije i sustavu dohvata podataka, bez prethodnog pisanog dopuštenja Samsung Electronicsa.

Zaštitni znakovi

- SAMSUNG i SAMSUNG logotip su registrirani zaštitni znakovi tvrtke Samsung Electronics.
- Bluetooth® je registrirani zaštitni znak tvrtke Bluetooth SIG, Inc. diljem svijeta.
- Svi su ostali zaštitni znakovi i autorska prava vlasništvo svojih odgovarajućih vlasnika.

Prvo pročitajte

Pre nego što počnete da koristite uređaj pročitajte ovo uputstvo kako biste bili sigurni da ga koristite na bezbedan i ispravan način.

- Opisi se zasnivaju na podrazumevanim podešavanjima uređaja.
- Slike mogu odstupati od stvarnog proizvoda. Sadržaj je podložan promenama bez prethodnog obaveštenja.

Ikonice sa uputstvima



Upozorenje: Situacije koje mogu kod vas ili drugih da izazovu telesne povrede



Oprez: Situacije koje mogu da izazovu oštećenja na vašem uređaju ili drugoj opremi



Napomena: Napomene, saveti za korišćenje ili dodatne informacije

Prvi koraci

O Level Link-u

Level Link podržava režim primanja i režim slanja. U režimu primanja, možete da povežete slušalice na Level Link i da ih koristite kao Bluetooth slušalice za uređaje sa omogućenim Bluetooth-om, kao što su pametni telefoni ili tablet uređaji. U režimu slanja, možete da koristite uređaj kao hardverski ključ koji se povezuje na računare, TV aparate, Bluetooth slušalice i drugo.

U režimu primanja, možete da koristite sledeće funkcije:

- Pokretanje S Voice
- Prianje ili prekidanje poziva
- Kontrolisanje multimedijalnih datoteka

U režimu slanja, možete da reprodukujete zvuk povezanog multimedijalnog uređaja.

Sadržaj pakovanja

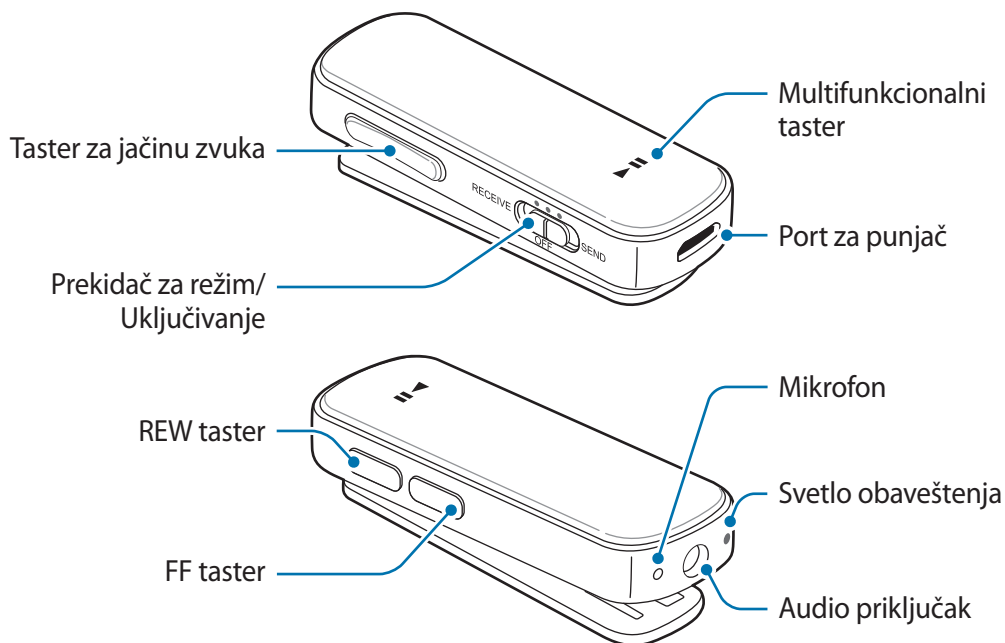
Proverite da li se u kutiji proizvoda nalaze sledeće stavke:

- Uređaj
- Slušalice
- USB kabl
- Audio kabl
- Kratko uputstvo za upotrebu



- Stavke koje se isporučuju sa proizvodom i dostupni dodatni pribor se mogu razlikovati u zavisnosti od regiona ili dobavljača usluge.
- Priložene stavke su dizajnirane isključivo za ovaj uređaj i možda neće biti kompatibilne sa drugim uređajima.
- Izgledi i specifikacije su podložne promenama bez prethodnog obaveštenja.
- Možete da kupite dodatnu prateću opremu od lokalnog prodavca Samsung opreme. Pre kupovine se uverite da je kompatibilna sa uređajem.
- Koristite isključivo prateću opremu koju je odobrila kompanija Samsung. Korišćenje neodobrene prateće opreme može da izazove probleme u radu i kvarove koje ne pokriva garancija.
- Dostupnost prateće opreme je podložna promenama, što u potpunosti zavisi od kompanija koje je proizvode. Za više informacija o dostupnoj pratećoj opremu, idite na veb-sajt kompanije Samsung.

Raspored uređaja



Tasteri i funkcije

Ime	Funkcija
Prekidač za režim/ Uključivanje	<ul style="list-style-type: none"> • Pomerite ulevo da aktivirate režim primanja i prevucite udesno pravo da aktivirate režim slanja. • Prevucite na OFF da isključite uređaj.
Multifunkcionalni taster	<ul style="list-style-type: none"> • U režimu primanja, pritisnite i držite 1 sekundu da pokrenete S Voice. • U režimu primanja, pritisnite da odgovorite na ili prekinete poziv. • U režimu primanja, pritisnite i držite da odbijete poziv. • U režimu primanja, pritisnite i držite da prebacite pozive sa Level Link-a na svoj drugi uređaj, ili obrnuto. • U režimu primanja, pritisnite za reprodukciju ili zaustavljanje multimedijalnih datoteka. • U režimu primanja ili režimu slanja, pritisnite i držite 3 sekunde da biste pristupili Bluetooth režimu uparivanja.
Taster za jačinu zvuka	<ul style="list-style-type: none"> • U režimu primanja, pritisnite da podesite jačinu zvuka tokom poziva. • U režimu primanja, pritisnite da podesite jačinu zvuka tokom reprodukcije multimedijalnih datoteka.
REW taster/FF tasteri	<ul style="list-style-type: none"> • U režimu primanja, pritisnite za reprodukciju prethodne ili sledeće multimedijalne datoteke tokom reprodukcije. • U režimu primanja, pritisnite i držite da premotate unazad ili unapred multimedijalnu datoteku tokom reprodukcije.

Indikator statusa

Status	Boja
Bluetooth režim uparivanja	• Treperenje crvene, zelene i plave
Uključivanje ili aktiviranje režima	• Treperenje plave 3 puta
Isključivanje	• Treperenje crvene 3 puta
Dolazni poziv	• Treperenje plave

Punjenje baterije

Napunite bateriju pre prvog korišćenja Level Link-a ili kada Level Link nije duže vreme korišćen.

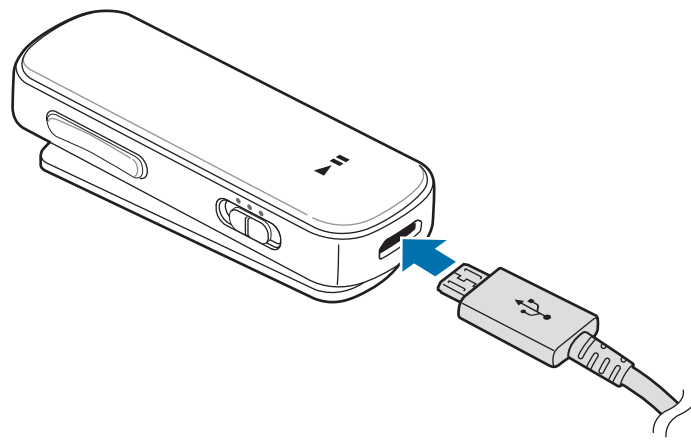


Koristite samo punjače, baterije i kablove koje je odobrila kompanija Samsung. Neodobreni punjači ili kablovi mogu dovesti do eksplozije baterije ili oštećenja slušalica.



Ako je baterija potpuno prazna, slušalice se ne mogu uključiti odmah pri priključivanju punjača. Ostavite neka se ispražnjena baterija puni nekoliko minuta pre uključivanja slušalica.

Povežite uređaj sa računarnom ili USB adapterom za napajanje preko USB kabla.



Nepravilno priključivanje punjača može da dovede do ozbiljnih oštećenja uređaja. Sva šteta nastala nepravilnim korišćenjem nije pokrivena garancijom.



- Uređaj može da se koristi dok se puni, ali će se tako produžiti vreme do napunjenosti baterije.
- Dok ga punite, uređaj može da se zagreje. Ovo je uobičajeno i ne bi trebalo da utiče na životni vek ili rad uređaja. Ukoliko se baterija zagreje više od uobičajenog, punjač može da prekine punjenje.
- Ako se uređaj ne puni na odgovarajući način, odnesite uređaj i punjač u servisni centar kompanije Samsung.

Nakon što se uređaj u potpunosti napuni, isključite ga sa punjača. Prvo isključite punjač iz uređaja, a zatim ga isključite iz električne utičnice.



Da biste uštedeli energiju, isključite punjač kada ga ne koristite. Punjač nema prekidač za uključivanje, tako da ga morate isključiti iz električne utičnice kada nije u upotrebi da biste izbegli potrošnju energije. Tokom punjenja, punjač treba držati u blizini električne utičnice kako bi bio lako dostupan.

Provera napunjenosti baterije

Istovremeno pritisnite i držite taster Povećaj jačinu zvuka i taster Više funkcija 1 sekundu. Svetlo obaveštenja treperi tri puta u različitoj boji, prema statusu punjenja.

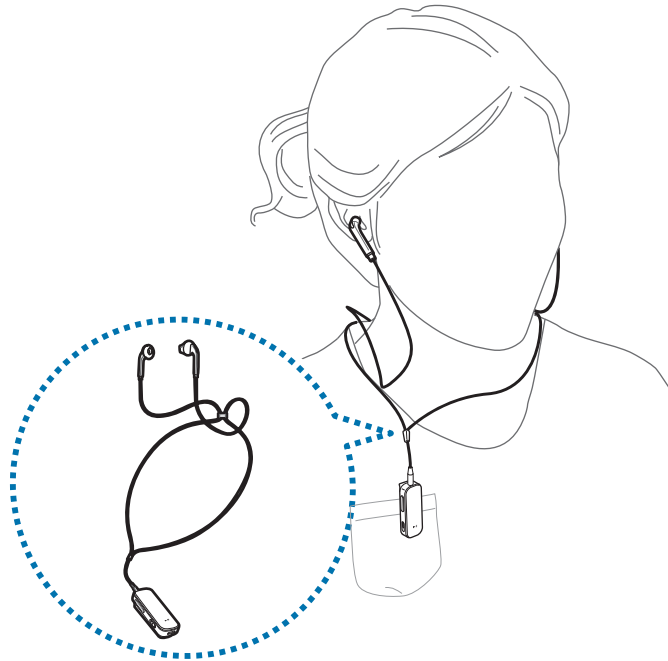
Status	Boja
Manje od 30%	• Crvena
30 – 60%	• Žuta
Više od 60%	• Zelena

Nošenje uređaja i slušalica

Povežite priložene slušalice na Level Link i nosite ih oko vrata.

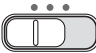


- 1 Priključite slušalice u audio priključak Level Link-a.
- 2 Podesite štipaljku slušalica tako što ćete napraviti petlju dovoljno veliku da stane oko vaše glave.

- 3 Zakačite Level Link na odeću koju nosite.
- 4 Nosite slušalice oko vrata i uključite bubice.



Budite oprezni kada koristite ovaj uređaj sa slušalicama sa kablom. Možete se zadaviti ako se slušalice omotaju oko vašeg vrata.

Uključivanje i isključivanje uređaja

-  : Aktivirajte režim primanja.
-  : Aktivirajte režim slanja.
-  : Isključite uređaj.



Sledite sva postavljena upozorenja i smernice ovlašćenog osoblja na mestima gde je zabranjeno korišćenje bežičnih uređaja, kao što su avioni ili bolnice.

Korišćenje uređaja

Bluetooth

O Bluetooth-u

Bluetooth je standard bežične tehnologije koji koristi frekvenciju od 2,4 GHz za povezivanje na razne uređaje na kraćim udaljenostima. Može da se povezuje i razmenjuje podatke sa drugim uređajima na kojima je omogućena funkcija Bluetooth, kao što su mobilni uređaji, računari, štampači i drugi digitalni kućni uređaji, bez povezivanja kablovima.

Napomene u vezi korišćenja Bluetooth funkcije

- Da biste izbegli probleme prilikom povezivanja svog uređaja sa drugim, stavite uređaje jedan blizu drugog.
- Obezbedite da su vaš uređaj i drugi Bluetooth uređaj unutar dometa Bluetooth veze (10 m). Domet se može da varira, u zavisnosti od okruženja u kome se uređaji koriste.
- Uverite se da između vaših slušalica i povezanog uređaja nema prepreka, uključujući osobe, zidove, uglove ili ograde.
- Ne dirajte Bluetooth antenu povezanog uređaja.
- Bluetooth tehnologija koristi istu frekvenciju kao i neki industrijski, naučni, medicinski i niskonaponski proizvodi, tako da se prilikom povezivanja u blizini ovih tipova proizvoda mogu javiti smetnje.
- Neki uređaji, a posebno oni koji nisu ispitani ili odobreni od kompanije Bluetooth SIG, ne moraju biti nekompatibilni sa vašim slušalicama.
- Ne koristite Bluetooth funkciju za nezakonite svrhe (na primer, kreiranje piratskih kopija datoteka ili nezakonito prisluškivanje komunikacija u komercijalne svrhe).

Povezivanje sa drugim uređajima



Kvalitet zvuka i opseg korišćenja između Level Link-a i povezanih audio uređaja može da varira, u zavisnosti od uređaja na kojima je omogućena funkcija Bluetooth.

Povezivanje u režimu primanja

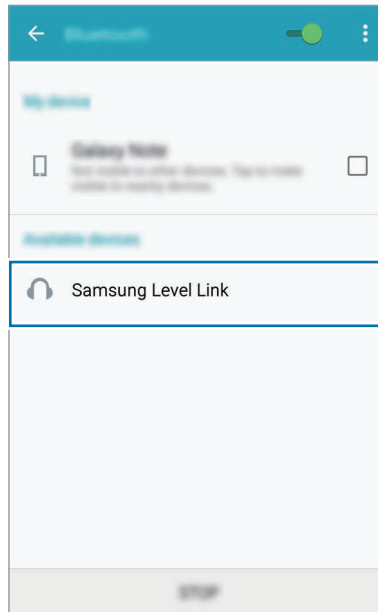
Možete da primete dolazne pozive ili slušate muziku kada je vaš Level Link povezan na uređaje sa omogućenom funkcijom Bluetooth. Kada uključujete Level Link prvi put, on ulazi u režim Bluetooth uparivanja.



- Kada prvi put uparujete Level Link sa drugim uređajima putem Bluetooth-a, Level Link se automatski povezuje sa uparenim uređajima. Ako Level Link ne uspe da se poveže, prelazi u Bluetooth režim uparivanja.
- Level Link može da čuva informacije o najviše osam uređaja. Ako je Level Link povezan sa više od jednim uređajem, povezuje se sa poslednje uparenim uređajem.

- 1 Level Link** Prevucite prekidač Režim rada ulevo da aktivirate režim primanja.
- 2 Level Link** Pritisnite i držite taster Više funkcija oko 3 sekunde da biste pristupili Bluetooth režimu uparivanja.
- 3 Drugi uređaj** Aktivirajte funkciju Bluetooth i tražite Bluetooth uređaje.
Za više informacija, pogledajte uputstvo za upotrebu drugog uređaja.

4 **Drugi uređaj** Kucnite na **Samsung Level Link** sa liste.



5 **Level Link** Povežite slušalice na Level Link.

Ili, povežite Level Link na dodatni ulazni priključak uređaja za audio izlaz preko audio kabla.



U ovom režimu, ako povežete Level Link preko audio kabla na audio izlaz TV aparata ili računara, vaš Level Link može da se ošteti.

Povezivanje u režimu slanja

Povežite uređaj sa multimedijalnim plejerom pomoću audio kabla. Možete da slušate multimedijalne datoteke preko drugog audio uređaja, kao što su Bluetooth slušalice. Kada uključujete Level Link prvi put, on ulazi u režim Bluetooth uparivanja.



- Kada prvi put uparujete Level Link sa drugim uređajima putem Bluetooth-a, Level Link se automatski povezuje sa uparenim uređajima. Ako Level Link ne uspe da se poveže, prelazi u Bluetooth režim uparivanja.
- Level Link može da čuva informacije o najviše osam uređaja. Ako je Level Link povezan sa više od jednim uređajem, povezuje se sa poslednje uparenim uređajem.

- 1 **Level Link** Prevucite prekidač Režim rada udesno da aktivirate režim slanja.
- 2 **Level Link** Pritisnite i držite taster Više funkcija oko 3 sekunde da biste pristupili Bluetooth režimu uparivanja.
- 3 **Level Link** Stavite svoj Level Link na do 30 cm od uparenog audio uređaja.
Level Link i audio uređaj su sada povezani preko Bluetooth-a. Ako povezivanje ne uspe, isključite i ponovo uključite audio uređaj. Zatim ponovite gore date korake.
- 4 Uključite audio kabl u audio priključak Level Link-a. Onda uključite drugi deo audio kabla u priključak za audio izlaz plejera multimedijalnog sadržaja.



- Način povezivanja preko Bluetooth funkcije se može razlikovati u zavisnosti od povezanih uređaja. Za dodatne informacije, pogledajte uputstvo za upotrebu povezanog uređaja.
- Kada je Level Link povezan sa televizorom u režimu slanja, može doći do neusaglašenosti zvuka i slike. Preporučuje se da povežete Level Link na televizor koji podržava kodek aptX Low Latency.
- Kada koristite Level Link sa multimedijalnim plejerom, smanjite jačinu zvuka multimedijalnog plejera pre nego što isključite audio kabl da biste sprečili iznenadne, glasne zvukove.
- Možete doći do smanjenja jačine zvuka ili do buke, u zavisnosti od jačine zvuka povezanog multimedijalnog plejera. Da biste to izbegli, podesite zvuk multimedijalnog plejera.

Povezivanje dodatnih uređaja

U režimu primanja ili režimu slanja, vaš Level Link može da se poveže na do dva uređaja preko Bluetooth-a.

- 1 U režimu primanja ili režimu slanja, povežite svoj Level Link sa prvim uređajem.
- 2 Povežite Level Link sa drugim uređajem preko funkcije Bluetooth koristeći metodu povezivanja koju ste koristili za prvi uređaj.



- U režimu primanja, ako se Level Link ne pojavi na listi pronađenih uređaja, pritisnite i držite taster Više funkcija oko 3 sekunde da biste pristupili Bluetooth režimu uparivanja.
- U režimu slanja, Level Link podržava aptX kodek niske latentnosti kada je povezan na jedan audio uređaj. Ako su dva audio uređaja istovremeno povezana na Level Link, aptX kodek nije podržan a emitovanje slike i zvuka možda neće biti usklađeno.
- U režimu slanja, može da se smanji opseg korišćenja između Level Link-a i drugog uređaja.

Ponovno povezivanje ili odspajanje iz drugih uređaja

Ponovno povezivanje uređaja

Kada je vaš Level Link odspojen od audio uređaja zbog udaljenosti između uređaja, približite ponovo uređaje i pritisnite taster Više funkcija da ih ponovo uparite. Ili možete da koristite meni Bluetooth na audio uređaju da biste uparili uređaje.

Prekidanje veze uređaja

Da biste odspojili Level Link sa audio uređaja, isključite svoj uređaj ili razdvojite uređaje. Ako ste povezali dva uređaja preko audio kabla, razdvojite kablove sa oba uređaja.

Korišćenje režima primanja i slanja

U režimu primanja, možete da pokrenete S Voice, odgovarate na dolazne pozive ili reprodukujete multimedijalne datoteke. U ovom režimu, koristite Level Link sa slušalicama, ili povežite Level Link na audio uređaje pomoću audio kablova.

U režimu slanja, možete da slušate zvuk sa multimedijalnog plejera preko povezanog audio uređaja.



- Dostupne funkcije mogu da zavise od uređaja na koji se povežete. Neke funkcije možda neće biti dostupne ako je Level Link istovremeno povezan na dva uređaja.
- Neke funkcije su dostupne isključivo ako se Level Link poveže na uređaj preko Profila za korišćenje bez ruku (HFP).
- Mesto na kom se nalazi mikrofonski otvor može da zavisi od toga kako nosite Level Link. Položaj Level Link-a može da utiče na kvalitet zvuka prilikom poziva.

Pokretanje S Voice

Pritisnite i držite taster Više funkcija 1 sekundu. Ako povezani uređaj podržava S Voice, možete da koristite aplikaciju preko Level Link-a.

Odgovaranje na odbijanje poziva

Odgovaranje na poziv

Pritisnite taster Pozovi da biste odgovorili na poziv upućen na povezani uređaj.

Odbijanje poziva

Pritisnite i držite taster Pozovi da biste odbili pozive upućene na povezani uređaj.

Korišćenje opcija tokom poziva

Podešavanje jačine zvuka

Tokom poziva, pritisnite taster za jačinu zvuka da biste podesili jačinu zvuka.

Prebacivanje izlaza zvuka

Pritisnite i držite taster Pozovi da biste prebacili pozive sa Level Link-a na povezani uređaj. Ova funkcija možda neće biti dostupna, u zavisnosti od povezanog uređaja.

Prekidanje poziva

Pritisnite taster Pozovi da biste prekinuli poziv.

Reprodukovanje multimedijalnih datoteka

Reprodukovanje multimedijalnih datoteka u režimu primanja ili slanja. Dostupne funkcije mogu da zavise od režima koji se koristi.

Reprodukovanje i zaustavljanje multimedijalne datoteke

Pritisnite tase Više funkcija da biste reprodukovali poslednju aktiviranu multimedijalnu datoteku na povezanom uređaju.

Pritisnite taster Više funkcija da biste pauzirali reprodukovanje. Da biste nastavili reprodukovanje, pritisnite ponovo taster Više funkcija.

Prebacivanje na prethodnu ili sledeću multimedijalnu datoteku

Pritisnite taster REW ili taster FF da se vratite na prethodnu ili preskočite na sledeću datoteku tokom reprodukovanja.

Vraćanje ili ubrzavanje multimedijalne datoteke

Pritisnite i držite taster REW ili taster FF da vratite ili ubrzate datoteku tokom reprodukcije.

Podešavanje jačine zvuka

Pritisnite taster za jačinu zvuka da biste podesili jačinu zvuka.



- Kada je Level Link povezan na dva uređaja, možete da reprodukujete multimedijalne datoteke sa bilo kog uređaja. Da biste reprodukovali multimedijalnu datoteku sa drugačijeg uređaja, prvo pauzirajte reprodukciju sa drugog uređaja.
- Kada reprodukujete multimedijalnu datoteku sa jednog uređaja, i dalje možete da odgovarate na pozive sa drugog uređaja.
- Ako postoji razlika u izlaznoj snazi audio kabla i povezanog audio uređaja u režimu slanja, može da varira jačina zvuka na Level Link-u.

Resetovanje podataka

Kada je vaš Level Link povezan na uređaj preko Bluetooth-a, informacije sa Level Link-a, kao što su Bluetooth adresa i vrsta uređaja, se čuvaju na povezanom uređaju. Da biste obrisali informacije o vezi na Level Link-u, pritisnite i držite taster Više funkcija oko 3 sekunde da biste pristupili režimu Bluetooth uparivanja. Zatim zajedno pritisnite i držite tastere REW, FF i Više funkcija 3 sekunde.

Dodatak

Rešavanje problema

Pre kontaktiranja servisnog centra kompanije Samsung, prvo pokušajte sledeća rešenja. Neke situacije možda neće moći da se primene na vaš uređaj.

Vaš uređaj se ne uključuje

Vaš uređaj ne može da se uključi kada se baterija potpuno isprazni. Napunite bateriju do kraja pre uključivanja uređaja.

Baterija se ne puni pravilno (za punjače koje je odobrila kompanija Samsung)

- Uverite se da je punjač pravilno priključen.
- Otiđite u servisni centar kompanije Samsung da vam zamene bateriju.

Drugi Bluetooth uređaj ne može da locira vaš uređaj

- Uverite se da je vaš uređaj u režimu Bluetooth uparivanja.
- Resetujte uređaj i tražite Bluetooth uređaje.
- Obezbedite da su vaš uređaj i drugi Bluetooth uređaj unutar dometa Bluetooth veze (10 m).

Ako gore dati saveti ne otklone problem, kontaktirajte servisni centar kompanije Samsung.

Drugi Bluetooth uređaj nije lociran

- Proverite da li uređaj na koji želite da se povežete podržava bežičnu Bluetooth funkciju.
- Obezbedite da su vaš uređaj i drugi Bluetooth uređaj unutar maksimalnog dometa Bluetooth veze (10 m).

Bluetooth veza se često prekida

- Ako između uređaja postoje prepreke, radno rastojanje se može smanjiti.
- Obezbedite da su vaš uređaj i drugi Bluetooth uređaj unutar maksimalnog dometa Bluetooth veze (10 m).
- Kada koristite uređaj sa drugim Bluetooth uređajima, elektromagnetni talasi mogu da utiču na vezu. Koristite uređaj u okruženjima sa smanjenim prisustvom bežičnih uređaja.

Ne možete da čujete druge dok govore

- Podesite jačinu zvuka uređaja.
- Podesite jačinu zvuka na povezanom uređaju kada ne možete da čujete zvuke na vašem uređaju pri maksimalnoj jačini.

Zvuk odjekuje tokom poziva

Podesite jačinu zvuka pritiskom na taster za jačinu zvuka ili tako što ćete otići u drugi prostor.

Drugi ne mogu da vas čuju kada govorite prilikom poziva

- Uverite se da ničim ne prekrivate ugrađeni mikrofon.
- Neka mikrofon bude blizu vaših usta.

Kvalitet zvuka je loš

- Usluge bežične mreže mogu da budu onemogućene usled problema sa mrežom pružaoca usluga. Držite uređaj dalje od elektromagnetnih talasa.
- Obezbedite da su vaš uređaj i drugi Bluetooth uređaj unutar maksimalnog dometa Bluetooth veze (10 m).

Uređaj radi drugačije nego što je opisano u priručniku

- Dostupnost funkcija može da zavisi od povezanog uređaja.
- Neke funkcije ne mogu da se koriste kada su dva uređaja istovremeno povezana na uređaj.

Baterija se prazni brže nego kada je kupljena

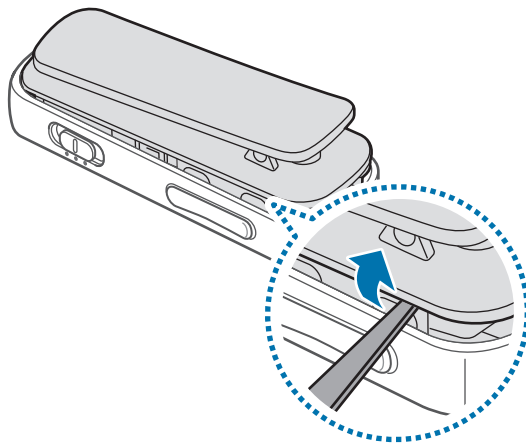
- Kada uređaj ili bateriju izložite veoma visokim ili veoma niskim temperaturama, može da se smanji mogućnost punjenja.
- Baterija se troši i mogućnost punjenja će se smanjivati tokom vremena.

Uklanjanje baterije (neuklonjiva)



- Ova uputstva su isključivo za vašeg servisera ili ovlašćenog servisa za popravku.
- Oštećenja ili kvarovi izazvani neovlašćenim uklanjanjem baterije nisu pokriveni garancijom.
- Da biste ulonili ili zamenili bateriju, kontaktirajte svog servisera ili ovlašćeni servis za popravku.

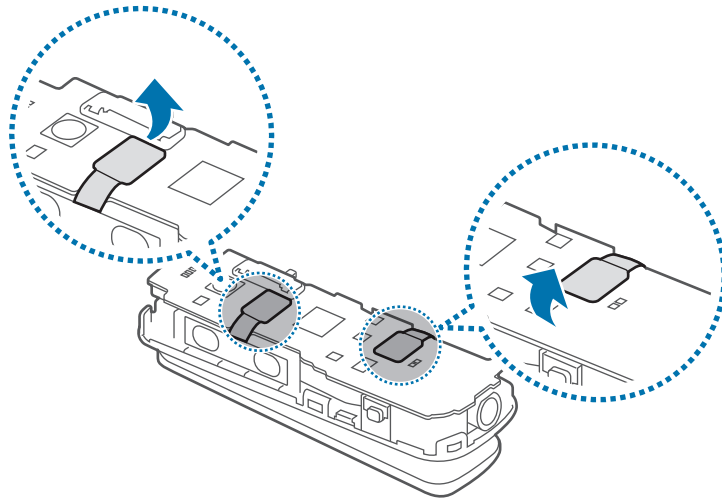
- 1 Stavite tanak, ravan alat u prazninu između poklopca i tela uređaja.
Zatim koristite taj alat da ih razdvojite na način prikazan na slici u nastavku.



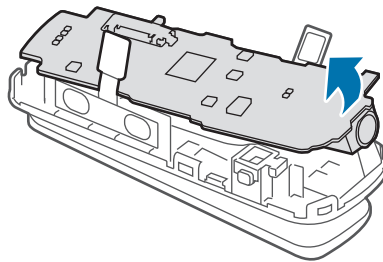
- Pazite kada stavljate alat unutra da biste izbegli oštećenja unutrašnjih delova uređaja.

- 2 Kada se poklopac odvoji, sklonite ga u stranu.

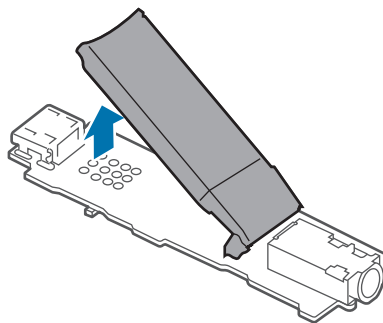
3 Isključite konektore baterije.



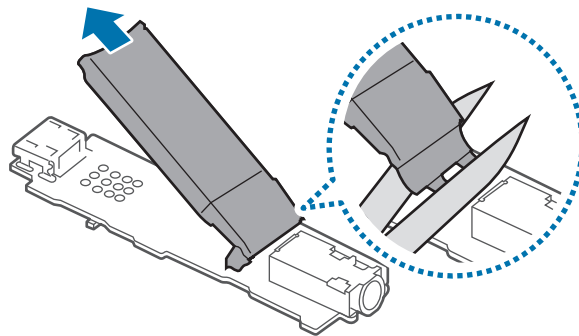
4 Uklonite štampanu ploču tako što ćete je odvojiti od tela uređaja i stavite je licem nadole na ravnu površinu.



5 Pritisnite priključak za punjenje i povucite bateriju nagore kako biste je odvojili od štampane ploče.



6 Izvucite bateriju sa štampane ploče i presecite veze gde je prikazano na slici u nastavku.



7 Uklonite bateriju.

Deklaracija o usklađenosti

Detalji proizvoda

Za sledeće

Proizvod : Bluetooth hardverski ključ

Model : EO-RG920



Deklaracija i primenljivi standardi

Ovim izjavljujemo da je gorenavedeni proizvod usaglašen sa osnovnim zahtevima direktive R&TTE (1999/5/EC) primenom sledećeg:

Bezbednost	EN 60950-1 : 2006 + A11 : 2009 + A1 : 2010 + A12 : 2011
SAR	EN 50566 : 2013 EN 62479 : 2010
EMC	EN 301 489-01 V1.9.2 (2011-09) EN 301 489-17 V2.2.1 (2012-09)
RADIO	EN 300 328 V1.8.1 (2012-06)

i Direktive (2011/65/EU) ograničenju upotrebe određenih opasnih supstanci u električnoj i elektronskoj opremi primenom standarda EN 50581:2012.

Predstavnik u EU

Samsung Electronics Euro QA Lab.
Blackbushe Business Park
Saxony Way, Yateley, Hampshire
GU46 6GG, UK



2015.01.27

Stephen Colclough / Predstavnik za EU

(mesto i datum izdavanja)

(ime i potpis ovlašćene osobe)

* Ovo nije adresa Samsung servisnog centra. Adresu ili broj telefona Samsung servisnog centra potražite garantnoj kartici ili se obratite prodavcu kod kojeg ste kupili proizvod.

Autorska prava

Copyright © 2015 Samsung Electronics

Ovaj priručnik je zaštićen međunarodnim zakonima o autorskim pravima.

Nijedan deo ovog priručnika se ne sme reprodukovati, distribuirati, prevoditi niti prenositi ni u jednom obliku niti bilo kojim putem, elektronskim niti mehaničkim, što podrazumeva fotokopiranje, snimanje i skladištenje u okviru bilo kog skladišta informacija i sistema za preuzimanje, bez prethodne dozvole kompanije Samsung Electronics u pisanom obliku.

Trgovačke marke

- SAMSUNG i SAMSUNG logotip su registrovane trgovačke marke kompanije Samsung Electronics.
- Bluetooth® je registrovana trgovačka marka kompanije Bluetooth SIG, Inc. širom sveta.
- Sve ostale trgovačke marke i autorska prava su vlasništvo njihovih vlasnika.

Leia primeiro

Leia atentamente o presente manual antes de utilizar o dispositivo para assegurar uma utilização segura e correcta.

- As descrições baseiam-se nas definições padrão do dispositivo.
- As imagens poderão ter um aspecto diferente em relação ao próprio produto. O conteúdo está sujeito a alterações sem qualquer aviso prévio.

Ícones indicadores



Atenção: situações possíveis de causar ferimentos em si ou noutras pessoas



Cuidado: situações possíveis de causar danos no seu dispositivo ou noutro equipamento



Nota: notas, dicas de utilização ou informação adicional

Começar

Acerca do Level Link

O Level Link suporta o modo de recepção e o modo de envio. No modo de recepção, pode ligar auriculares ao Level Link e usá-los como auricular Bluetooth para dispositivos com capacidade Bluetooth, tal como smartphones ou tablets. No modo de envio, pode usar o dispositivo como um dongle que liga computadores, TVs, auriculares Bluetooth e mais.

No modo de recepção, pode usar as funcionalidades a seguir:

- Iniciar o S Voice
- Atender ou terminar chamadas
- Controlar ficheiros de multimédia

No modo de envio, pode reproduzir som do dispositivo de multimédia ligado.

Conteúdo da embalagem

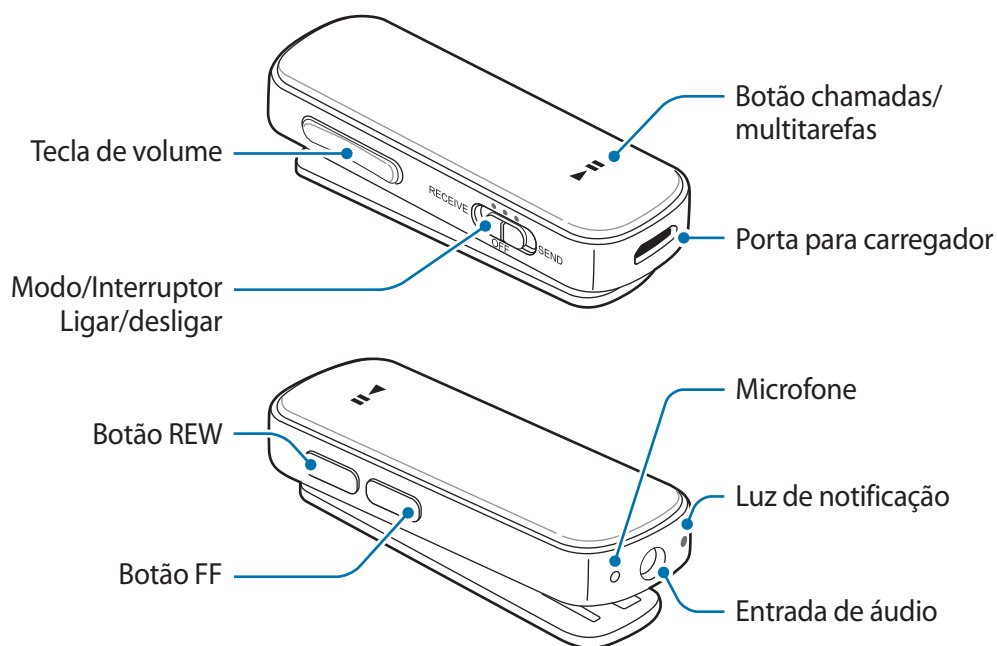
Verifique se na embalagem estão todos estes itens:

- Dispositivo
- Auriculares
- Cabo USB
- Cabo de áudio
- Manual de consulta rápida



- Os itens fornecidos com o dispositivo e quaisquer acessórios disponíveis podem variar dependendo da sua região ou operadora.
- Os itens fornecidos foram criados apenas para o seu dispositivo pelo que poderão ser incompatíveis com outros dispositivos.
- A aparência e as especificações podem ser alteradas sem qualquer aviso prévio.
- Poderá adquirir acessórios adicionais para o seu dispositivo num distribuidor oficial Samsung. Certifique-se de que são compatíveis com o seu dispositivo antes de os adquirir.
- Utilize apenas acessórios recomendados pela Samsung. O uso de acessórios não recomendados pode causar problemas de desempenho e funcionamento incorrecto que não são abrangidos pela garantia.
- A disponibilidade de todos os acessórios está sujeita a alteração dependendo inteiramente das empresas que os fabricam. Para mais informação sobre a disponibilidade dos acessórios, consulte a página web da Samsung.

Descrição do dispositivo



Botões e funções

Nome	Função
Modo/Interruptor Ligar/desligar	<ul style="list-style-type: none"> • Deslize para a esquerda para activar o modo de recepção e deslize para a direita para activar o modo de envio. • Deslize para OFF para desligar o dispositivo.
Botão chamadas/ multitarefa	<ul style="list-style-type: none"> • No modo de recepção, prima sem soltar por 1 segundo para iniciar o S Voice. • No modo de recepção, prima para atender ou terminar uma chamada. • No modo de recepção, prima sem soltar para rejeitar uma chamada. • No modo de recepção, prima sem soltar para transferir as chamadas do Level Link para o seu outro dispositivo ou vice-versa. • No modo de recepção, prima para reproduzir ou parar ficheiros multimédia. • No modo de recepção ou no modo de envio, prima sem soltar por 3 segundos para entrar no modo de emparelhamento Bluetooth.
Tecla de volume	<ul style="list-style-type: none"> • No modo de recepção, prima para ajustar o volume durante uma chamada. • No modo de recepção, prima para ajustar o volume enquanto reproduz ficheiros multimédia.
Botão REW / Botões FF	<ul style="list-style-type: none"> • No modo de recepção, prima para reproduzir o ficheiro anterior ou o seguinte durante a reprodução de multimédia. • No modo de recepção, prima sem soltar para rebobinar ou avançar rápido durante a reprodução de ficheiros de multimédia.

Indicador de estado

Estado	Cor
Modo de emparelhamento Bluetooth	<ul style="list-style-type: none"> • Piscar em vermelho, verde e azul
Ligar ou activar modos	<ul style="list-style-type: none"> • Piscar em azul 3 vezes
Desligar	<ul style="list-style-type: none"> • Piscar em vermelho 3 vezes
Chamada a receber	<ul style="list-style-type: none"> • Piscar em azul

Carregar a bateria

Carregue a bateria antes de usar o Level Link pela primeira vez ou quando o Level Link não for usado por longos períodos.

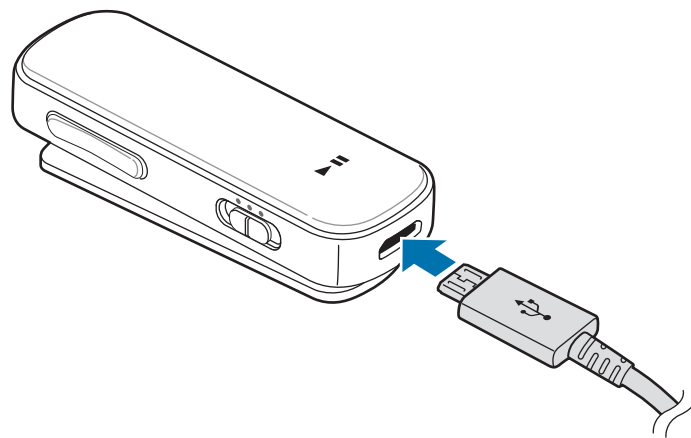


Utilize apenas carregadores, baterias e cabos aprovados pela Samsung. Carregadores ou cabos não recomendados podem fazer com que a bateria expluda ou danificar o auricular.



Se a bateria estiver totalmente descarregada, o auricular não pode ser ligado de imediato quando o carregador for ligado. Aguarde até que a bateria totalmente descarregada carregue por alguns minutos antes de ligar o auricular.

Ligue o dispositivo a um PC ou ao adaptador de alimentação USB através do cabo USB.



A ligação incorrecta do carregador pode causar danos graves no seu dispositivo. Todo o dano causado por utilização incorrecta não está coberto pela garantia.



- O dispositivo pode ser usado enquanto carrega, mas poderá demorar mais tempo para carregar totalmente a bateria.
- Enquanto carrega, o dispositivo poderá aquecer. Isso é normal e não deverá afectar a vida nem o desempenho do dispositivo. Se a bateria aquecer mais do que é normal, o carregador poderá parar de carregar.
- Se o dispositivo não estiver a carregar correctamente, leve-o e ao carregador a um Centro de Assistência Samsung.

Depois de totalmente carregado, desligue o dispositivo do carregador. Em primeiro lugar desligue o carregador do dispositivo e só depois da tomada eléctrica.



Para economizar energia, desligue o carregador da tomada quando não estiver em uso. O carregador não possui um interruptor para ligar/desligar, pelo que deve desligá-lo da tomada eléctrica quando não estiver em uso, de maneira a poupar energia. O carregador deve ficar próximo da tomada eléctrica e com fácil acesso quando está a carregar.

Verificar o nível da bateria

Ao mesmo tempo prima sem soltar o botão de Volume mais e o botão Multitarefa por 1 segundo. A luz de notificação pisca três vezes em cores diferentes de acordo com o estado do carregamento.

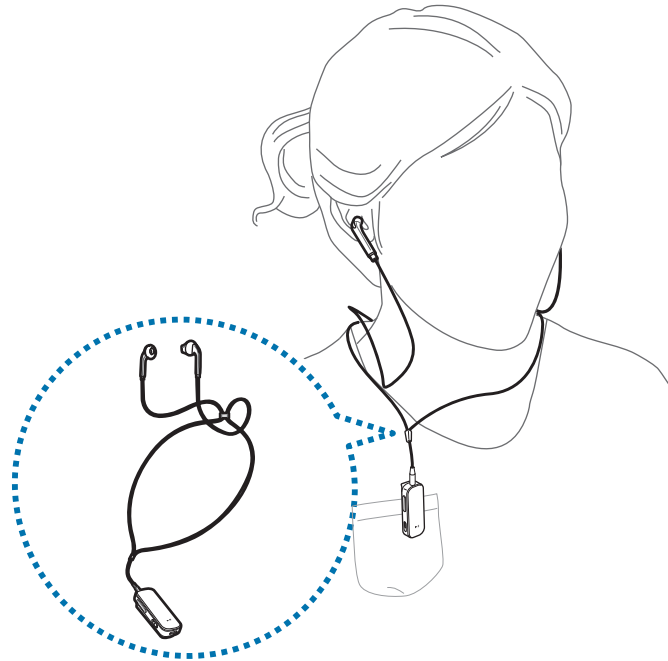
Estado	Cor
Menos de 30%	• Vermelho
30–60%	• Amarelo
Mais de 60%	• Verde

Utilizar o dispositivo e auriculares

Ligue os auriculares fornecidos ao Level Link e use-os em volta do seu pescoço.




- 1 Ligue os auriculares na entrada de áudio do Level Link.
- 2 Ajuste o auricular clipe do auricular para formar um laço largo para que a sua cabeça passe por ele.

- 3 Prenda o Level Link às suas roupas.
- 4 Use os auriculares em volta do seu pescoço e ligue os auscultadores.



Tenha cuidado ao utilizar este dispositivo com auriculares com fio. Pode sufocar se o fio dos auriculares se enrolar à volta do seu pescoço.

Ligar e desligar o dispositivo

-  : activar o modo de recepção.
-  : activar o modo de envio.
-  : desligar o dispositivo.



Siga todos os avisos e directrizes de pessoal autorizado em áreas onde o uso de dispositivos sem fio é proibido, tal como aviões e hospitais.

Utilizar o dispositivo

Bluetooth

Acerca do Bluetooth

Bluetooth é uma tecnologia padrão sem fios que usa uma frequência 2,4 GHz para se ligar a vários dispositivos em curtas distâncias. Pode ligar e trocar dados com outros dispositivos com capacidade Bluetooth, tais como dispositivos móveis, computadores, impressoras e outras aplicações digitais domésticas, sem ligação por cabo.

Informações ao usar Bluetooth

- Para evitar problemas quando ligar o seu dispositivo a outro, coloque os dispositivos próximos um do outro.
- Certifique-se de que o seu dispositivo e o outro dispositivo Bluetooth estão dentro do alcance do Bluetooth de (10 m). A distância pode variar dependendo do ambiente em que os dispositivos são usados.
- Certifique-se de que não existem obstáculos entre o auricular e o dispositivo ligado, incluindo pessoas, paredes, esquinas ou vedações.
- Não toque na antena Bluetooth de um dispositivo ligado.
- O Bluetooth utiliza a mesma frequência que alguns produtos industriais, científicos, médicos e produtos de baixa voltagem e podem ocorrer interferências quando criar ligações perto desse tipo de produtos.
- Alguns dispositivos, especialmente aqueles que não foram testados nem aprovados pela Bluetooth SIG, podem ser incompatíveis com o auricular.
- Não utilize a funcionalidade Bluetooth para fins ilegais (por exemplo, piratear cópias de ficheiros ou escutas de comunicações ilegais para fins comerciais).

Ligar a outros dispositivos



A qualidade do som e o alcance de uso entre o Level Link e os dispositivos de áudio ligados podem variar dependendo dos dispositivos áudio com capacidade Bluetooth.

Ligar no modo de recepção

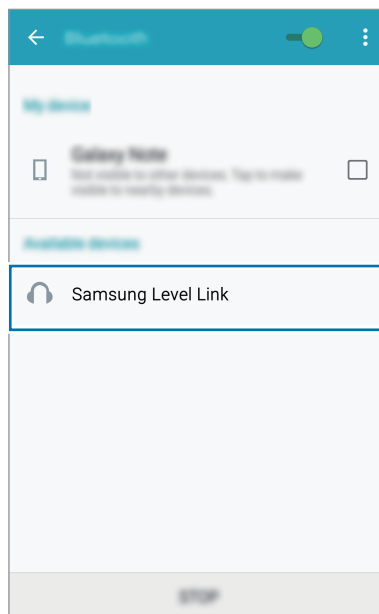
Pode receber chamadas ou ouvir ficheiros de multimédia quando o seu Level Link estiver ligado a dispositivos com capacidade Bluetooth. Quando ligar o Level Link pela primeira vez, ele entra no modo de emparelhamento Bluetooth.



- Quando emparelhar o Level Link com outros dispositivos através de Bluetooth pela primeira vez, o Level Link liga-se automaticamente aos dispositivos emparelhados. Se o Level Link não conseguir ligar-se, entra no modo de emparelhamento Bluetooth.
- O Level Link pode guardar informação de dispositivos até ao número de oito dispositivos. Se o Level Link já tiver sido ligado a mais do que um dispositivo, ele liga-se ao dispositivo emparelhado mais recentemente.

- 1 Level Link** Deslize o botão de Modo para a esquerda para activar o modo de recepção.
- 2 Level Link** Prima sem soltar o botão Multifunção por cerca de 3 segundos para entrar no modo de emparelhamento Bluetooth.
- 3 Outro dispositivo** Active a funcionalidade Bluetooth e procure dispositivos Bluetooth. Para mais informação, consulte o manual do utilizador do outro dispositivo.

4 **Outro dispositivo** Toque em **Samsung Level Link** da lista.



5 **Level Link** Ligue os auriculares no Level Link.

Ou, ligue o Level Link na entrada auxiliar de um dispositivo de saída de áudio através de um cabo de áudio.



Neste modo, se ligar o Level Link através de um cabo de áudio a uma TV ou na entrada do computador de saída de áudio, o seu Level Link pode se danificar.

Ligar no modo de envio

Ligue o seu dispositivo a um leitor de multimédia através do cabo de áudio. Pode ouvir ficheiros de multimédia através de um outro dispositivo de áudio, tal como um auricular Bluetooth.

Quando ligar o Level Link pela primeira vez, ele entra no modo de emparelhamento Bluetooth.



- Quando emparelhar o Level Link com outros dispositivos através de Bluetooth pela primeira vez, o Level Link liga-se automaticamente aos dispositivos emparelhados. Se o Level Link não conseguir ligar-se, entra no modo de emparelhamento Bluetooth.
- O Level Link pode guardar informação de dispositivos até ao número de oito dispositivos. Se o Level Link já tiver sido ligado a mais do que um dispositivo, ele liga-se ao dispositivo emparelhado mais recentemente.

- 1 Level Link** Deslize o botão de Modo para a direita para activar o modo de envio.
- 2 Level Link** Prima sem soltar o botão Multifunção por cerca de 3 segundos para entrar no modo de emparelhamento Bluetooth.
- 3 Level Link** Coloque o seu Level Link num raio de 30 cm do dispositivo de áudio emparelhado.
O Level Link e o dispositivo áudio estão agora ligados por Bluetooth. Se a ligação falhar, desligue o dispositivo de áudio e ligue-o novamente. Depois, repita os passos acima.
- 4** Ligue o cabo de áudio na entrada de áudio do Level Link. Depois, ligue a outra extremidade do cabo de áudio na entrada de saída de áudio do leitor de multimédia.



- O método para ligar através de Bluetooth pode variar dependendo dos dispositivos ligados. Para mais informação, consulte o manual do utilizador do dispositivo ligado.
- Quando o Level Link está ligado a uma TV no modo de envio, podem ocorrer problemas de sincronização labial. Recomenda-se a ligação do Level Link a uma TV que suporte o codec aptX Low Latency.
- Quando utilizar o Level Link com um leitor de multimédia, baixe o volume do leitor de multimédia antes de desligar o cabo de áudio para evitar sons muito altos de repente.
- Poderá notar descidas no volume ou ruído dependendo do volume do leitor de multimédia ligado. Para evitar isso, ajuste o som do leitor multimédia correctamente.

Ligar dispositivos adicionais

No modo de recepção ou no modo de envio, o seu Level Link pode ligar até dois dispositivos através de Bluetooth.

- 1 No modo de recepção ou no modo de envio, ligue o seu Level Link ao primeiro dispositivo.
- 2 Ligue o Level Link a um segundo dispositivo através de Bluetooth usando o método de ligação usado para o primeiro dispositivo.



- No modo de recepção, se o Level Link não surgir na lista de dispositivos detetados, prima sem soltar o botão Multifunção por cerca de 3 segundos para entrar no modo de emparelhamento Bluetooth.
- No modo de envio, o Level Link suporta o codec aptX low-latency quando estiver ligado a um dispositivo de áudio. Se estiverem ligados em simultâneo dois dispositivos de áudio no Level Link, o codec aptX não é suportado e as saídas de vídeo e de áudio podem não estar sincronizadas.
- No modo de envio, o alcance do envio entre o Level Link e outros dispositivos pode ser reduzido.

Voltar a ligar e desligar de outros dispositivos

Voltar a ligar os dispositivos

Quando o seu Level Link estiver desconectado de um dispositivo de áudio devido à distância entre dispositivos, aproxime os dispositivos entre si e prima o botão Multitarefa para os emparelhar novamente. Ou, pode utilizar o menu Bluetooth no dispositivo de áudio para emparelhar os dispositivos.

Desligar os dispositivos

Para desligar o Level Link do dispositivo de áudio, desligue o seu dispositivo ou desemparelhe os dispositivos. Se ligou os dois dispositivos através de um cabo de áudio, retire o cabo de ambos os dispositivos.

Utilizar os modos de recepção e de envio

No modo de recepção, pode iniciar o S Voice, atender chamadas ou reproduzir ficheiros multimédia. Neste modo, use o Level Link com os auriculares ou ligue o Level Link a um dispositivo de áudio através de um cabo de áudio.

No modo de envio, pode ouvir áudio do leitor de multimédia através do dispositivo áudio ligado.



- As funcionalidades disponíveis podem variar dependendo do dispositivo a que se ligou. Algumas funcionalidades podem não estar disponíveis se o Level Link estiver ligado a dois dispositivos ao mesmo tempo.
- Algumas funcionalidades estão disponíveis apenas quando o Level Link se liga a um dispositivo através do Perfil Mãos livres (HPF).
- A localização do microfone varia dependendo da forma como está a utilizar o Level Link. A posição do Level Link pode afectar a qualidade do som durante as chamadas.

Iniciar o S Voice

Prima o botão Multifunção por cerca de 1 segundo. Se o dispositivo ligado suportar S Voice, pode usar a aplicação através do Level Link.

Atender e rejeitar chamadas

Atender uma chamada

Prima o botão Chamada para atender chamadas feitas para o dispositivo ligado.

Rejeitar uma chamada

Prima sem soltar o botão Chamada para rejeitar chamadas feitas para o dispositivo ligado.

Utilizar opções durante uma chamada

Ajustar o volume

Durante uma chamada, prima a tecla de Volume para ajustar o volume.

Alterar a saída de som

Prima sem soltar o botão Chamada para transferir chamadas do Level Link para o dispositivo ligado. Esta funcionalidade pode não estar disponível dependendo do dispositivo móvel ligado.

Terminar uma chamada

Prima o botão Chamada para terminar uma chamada.

Reproduzir ficheiros de multimédia

Reproduza ficheiros multimédia no modo de recepção ou no modo de envio. As funcionalidades disponíveis podem variar dependendo do modo a ser utilizado.

Reproduzir e parar um ficheiro multimédia

Prima o botão Multifunção para reproduzir o ficheiro de multimédia mais recente no dispositivo ligado.

Prima o botão Multifunção para pausar a reprodução. Para retomar a reprodução, prima novamente o botão Multifunção.

Retroceder ou avançar nos ficheiros de multimédia

Prima o botão REW ou o botão FF para retroceder ou avançar nos ficheiros durante a reprodução.

Rebobinar ou avançar rapidamente o ficheiro multimédia

Prima sem soltar o botão REW ou o botão FF para rebobinar ou avançar rapidamente no ficheiro durante a reprodução.

Ajustar o volume

Prima a tecla de Volume para ajustar o volume.



- Quando o Level Link está ligado a dois dispositivos, pode reproduzir ficheiros multimédia de qualquer um dos dispositivos. Para reproduzir um ficheiro multimédia de um dispositivo diferente, pause a reprodução do outro dispositivo primeiro.
- Quando reproduz um ficheiro multimédia de um dispositivo, pode atender chamadas do outro dispositivo à mesma.
- Se existirem diferenças na saída de energia do cabo de áudio e o dispositivo de áudio ligado no modo de envio, o volume do som do Level Link pode variar.

Realizar um reinício de dados

Quando o seu Level Link está ligado a um dispositivo através de Bluetooth, a informação do Level Link, tal como o endereço Bluetooth e tipo de dispositivo, é guardado no dispositivo ligado. Para eliminar a informação de ligação Level Link, prima sem soltar o botão Multitarefa por 3 segundos para entrar no modo de emparelhamento Bluetooth. Depois, prima sem soltar os botões REW, FF e Multifunção ao mesmo tempo por cerca de 3 segundos.

Índice

Resolução de problemas

Antes de contactar o Centro de Assistência Samsung, por favor tente as soluções seguintes. Algumas situações podem não se aplicar ao seu dispositivo.

O seu dispositivo não se liga

Quando a bateria estiver totalmente descarregada, o seu dispositivo não se irá ligar. Carregue a bateria totalmente antes de ligar o dispositivo.

A bateria não carrega correctamente (Para carregadores aprovados pela Samsung)

- Certifique-se de que o carregador está correctamente ligado.
- Vá a um Centro de Assistência Samsung para que substituam a bateria.

Um outro dispositivo Bluetooth não consegue localizar o seu dispositivo

- Certifique-se de que o seu dispositivo se encontra no modo de emparelhamento Bluetooth.
- Reinicie o dispositivo e procure por dispositivos Bluetooth.
- Certifique-se de que o seu dispositivo e o outro dispositivo Bluetooth estão dentro do alcance do Bluetooth de (10 m).

Se as sugestões acima não resolverem o seu problema, contacte um Centro de Assistência Samsung.

Não é possível localizar outro dispositivo Bluetooth

- Certifique-se de que o dispositivo ao qual pretende se ligar suporta a funcionalidade sem fios Bluetooth.
- Certifique-se de que o seu dispositivo e o outro dispositivo Bluetooth estão dentro do alcance máximo de Bluetooth (10 m).

A ligação Bluetooth desliga-se muitas vezes

- Se existirem obstáculos entre os dispositivos, a distância de operação poderá ser reduzida.
- Certifique-se de que o seu dispositivo e o outro dispositivo Bluetooth estão dentro do alcance máximo de Bluetooth (10 m).
- Quando usar o dispositivo com outros dispositivos Bluetooth, a ligação pode ser afectada por ondas electromagnéticas. Use o dispositivo em ambientes com menos dispositivos sem fios presentes.

Não consegue ouvir os outros a falar

- Ajuste o volume do dispositivo.
- Ajuste o volume do dispositivo ligado quando não conseguir ouvir sons no seu dispositivo com o som no máximo.

O som ecoa durante a chamada

Ajuste o volume premindo a tecla de Volume ou mova-se para outra área.

Os outros não o conseguem ouvir durante uma chamada

- Certifique-se de que não está cobrindo o microfone embutido.
- Certifique-se de que o microfone está próximo da sua boca.

A qualidade do áudio é fraca

- Serviços de rede sem fios podem ser desactivados devido a problemas com a rede da operadora. Certifique-se de que mantém o dispositivo longe de ondas electromagnéticas.
- Certifique-se de que o seu dispositivo e o outro dispositivo Bluetooth estão dentro do alcance máximo de Bluetooth (10 m).

O dispositivo funciona de forma diferente daquela descrita no manual

- As funções disponíveis podem diferir dependendo do dispositivo ligado.
- Algumas funcionalidades não podem ser usadas quando dois dispositivos estão ligados com o dispositivo ao mesmo tempo.

A bateria descarrega mais rapidamente do que quando a comprei

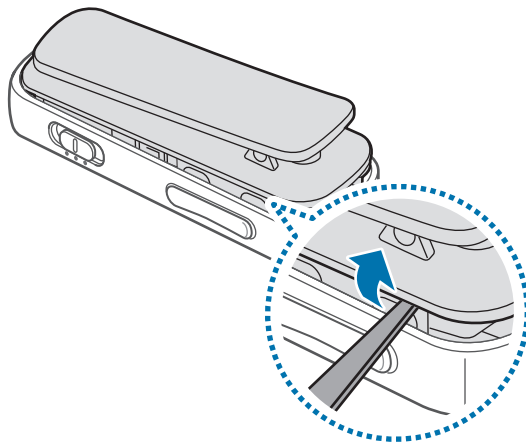
- Quando expõe o dispositivo ou a bateria a temperaturas muito frias ou muito quentes, a carga útil pode ser reduzida.
- A bateria é um consumível e a carga útil irá diminuir com o tempo.

Retirar a bateria (tipo não amovível)



- Estas instruções destinam-se apenas à sua operadora ou agente de reparação autorizado.
- Danos ou falhas causadas pela remoção, sem ser por uma pessoa autorizada, da bateria não estão cobertos pela garantia.
- Para remover ou substituir a bateria, contate a sua operadora ou um agente de reparação autorizado.

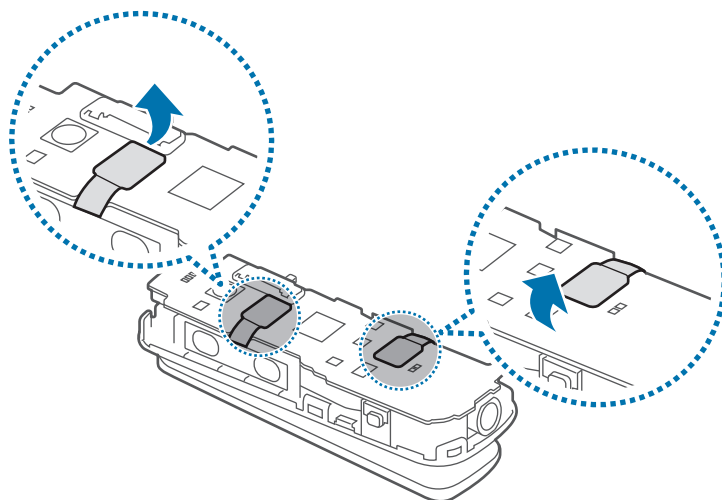
- 1 Insira uma ferramenta fina e lisa no orifício entre a tampa e o corpo do dispositivo. Depois, use a ferramenta para os separar como mostra a imagem abaixo.



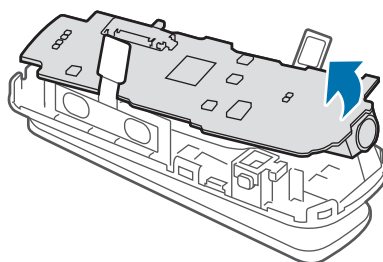
- Tenha cuidado ao inserir a ferramenta para evitar danificar os componentes internos do dispositivo.

- 2 Quando a capa estiver separada, afaste-a.

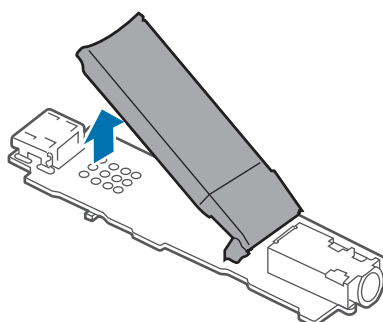
3 Desconecte os contactos da bateria.



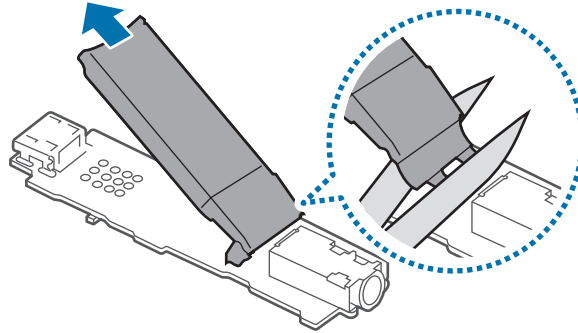
4 Retire a placa de circuitos desprendendo-a do corpo do dispositivo e coloque-a virada para baixo numa superfície plana.



5 Prima para baixo na porta de carregamento e puxe a bateria para cima para a libertar da placa de circuitos.



6 Afaste a bateria da placa de circuitos e corte as ligações onde a imagem abaixo mostra.



7 Retire a bateria.

Declaração de Conformidade

Detalhes do producto

Para os seguintes

Productos : Dongle Bluetooth

Modelo(s) : EO-RG920



Declarações e Normas aplicáveis

Vimos por este meio declarar que o produto acima referido cumpre com os requisitos básicos da Directiva R&TTE (1999/5/CE) através da aplicação de:

Segurança	EN 60950-1 : 2006 + A11 : 2009 + A1 : 2010 + A12 : 2011
SAR	EN 50566 : 2013 EN 62479 : 2010
EMC	EN 301 489-01 V1.9.2 (2011-09) EN 301 489-17 V2.2.1 (2012-09)
RADIO	EN 300 328 V1.8.1 (2012-06)

e com a Directiva (2011/65/UE) relativa à restrição do uso de determinadas substâncias nocivas em equipamentos eléctricos e electrónicos pela aplicação da EN 50581:2012.

Representante na Europa

Samsung Electronics Euro QA Lab.
Blackbushe Business Park
Saxony Way, Yateley, Hampshire
GU46 6GG, UK



2015.01.27

Stephen Colclough / Representante UE

(local e data de emissão)

(nome e assinatura do responsável)

* Esta não é a morada do Centro de Apoio Samsung. Por favor verifique a garantia ou contacte o revendedor que lhe vendeu o produto, para saber a morada e o número de contacto do Centro de Apoio Samsung.

Copyright

Copyright © 2015 Samsung Electronics

Este manual está protegido pelas leis internacionais de copyright.

Nenhuma parte deste manual pode ser reproduzida, traduzida ou transmitida de maneira alguma, nem por nenhum meio, electrónico ou mecânico, incluindo fotocópia, gravação ou armazenado em armazenamento de informação ou sistema de obtenção, sem obter primeiro o consentimento escrito da Samsung Electronics.

Marcas Registadas

- SAMSUNG e o logotipo SAMSUNG são marcas registadas da Samsung Electronics.
- Bluetooth® é uma marca registada da Bluetooth SIG, Inc. por todo o mundo.
- Todas as outras marcas registadas e copyrights são propriedade dos seus respectivos proprietários.

Izlasiet mani vispirms

Pirms ierīces ekspluatācijas uzsākšanas izlasiet šo rokasgrāmatu, lai nodrošinātu pareizu un drošu ierīces lietošanu.

- Apraksti balstīti uz ierīces noklusējuma iestatījumiem.
- Attēli vizuāli var atšķirties no faktiskā izstrādājuma. Saturs var tikt mainīts bez iepriekšēja brīdinājuma.

Norādījumu ikonas



Brīdinājums: situācijas, kuru rezultātā var nodarīt kaitējumu sev vai citiem



Uzmanību: situācijas, kuru rezultātā var nodarīt kaitējumu jūsu ierīcei vai citām iekārtām



Piezīme: piezīmes, lietošanas padomi vai papildu informācija

Darba sākšana

Par ierīci Level Link

Ierīce Level Link atbalsta saņemšanas režīmu un nosūtīšanas režīmu. Saņemšanas režīmā jūs varat pievienot austiņas ierīcei Level Link un izmantot tās kā Bluetooth austiņas ierīcēm, kurās iespējota funkcija Bluetooth, piemēram, viedtālruniem vai planšetdatoriem. Sūtīšanas režīmā jūs varat izmantot ierīci kā sargspraudni, kas izveido savienojumu ar datoriem, televizoriem, Bluetooth austiņām un citām ierīcēm.

Saņemšanas režīmā jūs varat izmantot šādas funkcijas:

- S Voice palaišana
- Zvanu saņemšana vai pabeigšana
- Multivides failu kontrolēšana.

Sūtīšanas režīmā jūs varat atskaņot pieslēgtās multimediju ierīces skaņu.

Pakas saturs

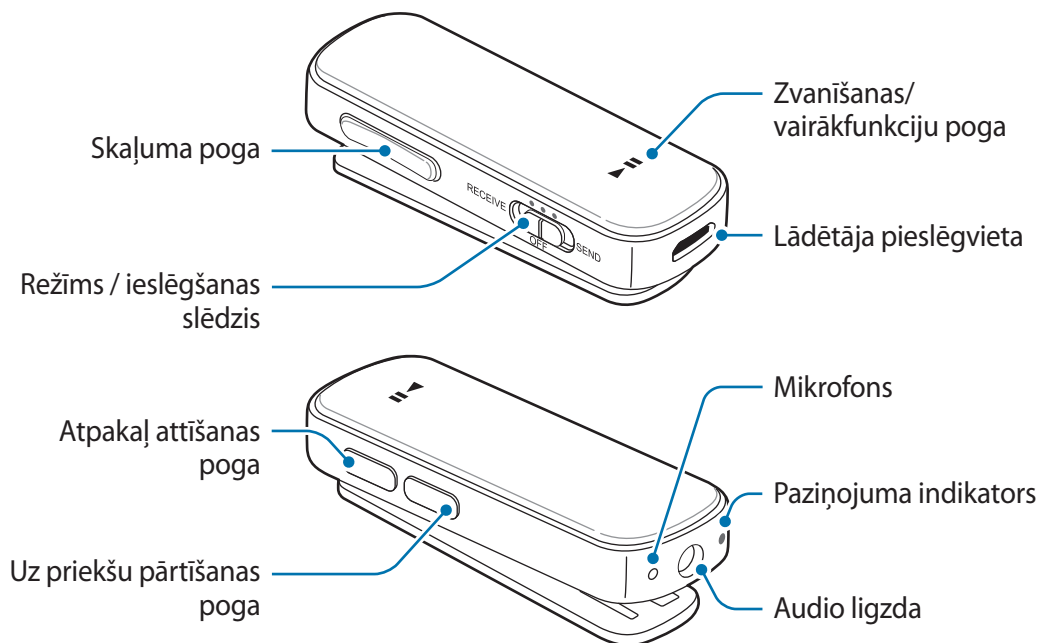
Pārbaudiet, vai ierīces komplektācijā ir šādi priekšmeti:

- Ierīce
- Austiņas
- USB kabelis
- Audio kabelis
- Īsā lietošanas pamācība



- Ar ierīci pievienotie vienumi un jebkādi citi aksesuāri var atšķirties atkarībā no reģiona vai pakalpojumu sniedzēja.
- Piegādātie piederumi ir paredzēti tikai šai ierīcei un var nebūt saderīgi ar citām ierīcēm.
- Izstrādājuma dizains un specifikācijas var tikt mainīti bez iepriekšēja brīdinājuma.
- Jūs varat iegādāties papildu piederumus pie vietējā Samsung mazumtirgotāja. Pirms iegādes parliecinieties, vai tie ir saderīgi ar šo ierīci.
- Izmantojiet tikai Samsung apstiprinātos piederumus. Neapstiprinātu piederumu lietošana var izraisīt darbības problēmas un darbības traucējumus, kurus nesedz garantija.
- Visu palīgierīču pieejamība var mainīties, un tas ir pilnībā atkarīgs no ražošanas uzņēmumiem. Lai iegūtu plašāku informāciju par pieejamajiem piederumiem, skatiet Samsung tīmekļa vietni.

Ierīces izkārtojums



Pogas un funkcijas

Nosaukums	Funkcija
Režīms / ieslēgšanas slēdzis	<ul style="list-style-type: none"> • Velciet pa kreisi, lai aktivizētu saņemšanas režīmu, un velciet pa labi, lai aktivizētu sūtīšanas režīmu. • Velciet uz OFF, lai ierīci izslēgtu.
Zvanīšanas/ vairākfunkciju poga	<ul style="list-style-type: none"> • Saņemšanas režīmā turiet nospiešanu 1 sekundi, lai palaistu S Voice. • Saņemšanas režīmā nospiediet, lai atbildētu uz zvanu vai izbeigtu sarunu. • Saņemšanas režīmā turiet nospiešanu, lai noraidītu zvanu. • Saņemšanas režīmā turiet nospiešanu, lai pārsūtītu zvanus no ierīces Level Link uz citu ierīci (vai otrādi). • Saņemšanas režīmā nospiediet, lai atskaņotu vai apturētu multivides failus. • Saņemšanas režīmā vai nosūtīšanas režīmā turiet nospiešanu 3 sekundes, lai aktivizētu Bluetooth savienošanas pāri režīmu.
Skaļuma poga	<ul style="list-style-type: none"> • Saņemšanas režīmā nospiediet, lai regulētu skaļumu zvana laikā. • Saņemšanas režīmā nospiediet, lai regulētu skaļumu multivides failu atskaņošanas laikā.
Atpakaļ attīšanas poga / Uz priekšu pārtīšanas pogas	<ul style="list-style-type: none"> • Saņemšanas režīmā nospiediet, lai atskaņotu nākamo vai iepriekšējo multivides failu atskaņošanas laikā. • Saņemšanas režīmā turiet nospiešanu, lai attītu atpakaļ vai pārtītu uz priekšu multivides failu atskaņošanas laikā.

Statusa indikators

Statuss	Krāsa
Bluetooth savienošanas pāri režīms	• Mirgojošs sarkans, zaļš un zils
Ieslēdz vai aktivizē režīmus	• Mirgo zilā krāsā 3 reizes
Izslēgt	• Mirgo sarkanā krāsā 3 reizes
Ienākošs zvans	• Mirgo zilā krāsā

Akumulatora uzlāde

Pirms ierīces Level Link pirmās lietošanas reizes vai gadījumā, ja ierīce Level Link nav lietota ilgāku laika periodu, uzlādējiet akumulatoru.

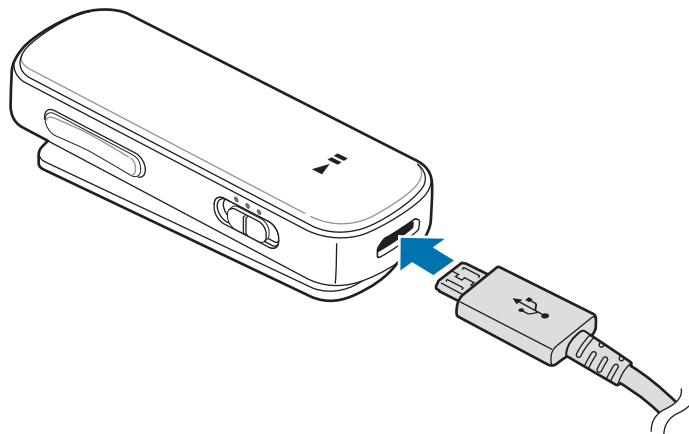


Lietojiet tikai Samsung apstiprinātus lādētājus, akumulatorus un kabeļus. Neapstiprinātu lādētāju vai kabeļu lietošana var izraisīt akumulatora eksploziju vai austiņu bojājumus.



Ja akumulators ir pilnībā izlādējies, austiņas nevar ieslēgt uzreiz pēc lādētāja pievienošanas. Pirms austiņu ieslēgšanas ļaujiet tukšajam akumulatoram dažas minūtes uzlādēties.

Savienojiet ierīci ar datoru vai USB strāvas adapteri, izmantojot USB kabeļi.



Lādētāja nepareiza pievienošana var izraisīt nopietnus ierīces bojājumus. Garantija nesedz nepareizas ierīces lietošanas rezultātā radušos bojājumus.



- Ierīci var izmantot arī uzlādes laikā, bet var būt nepieciešams ilgāks laiks akumulatora pilnīgai uzlādēšanai.
- Uzlādes laikā ierīce var uzkarst. Tā ir normāla parādība, kas nemazina ierīces kalpošanas laiku vai veiktspēju. Ja akumulators uzkarst vairāk nekā parasti, lādētājs var pārstāt veikt uzlādi.
- Ja ierīce pareizi neuzlādējas, nogādājiet ierīci un lādētāju Samsung servisa centrā.

Pēc pilnīgas uzlādēšanas atvienojiet ierīci no lādētāja. Vispirms atvienojiet lādētāju no ierīces un pēc tam no elektriskās kontaktligzdas.



Lai taupītu enerģiju, atvienojiet lādētāju no elektrotīkla, kad tas netiek izmantots. Lādētājam nav ieslēgšanas slēdža, tādēļ laikā, kad lādētājs netiek izmantots, tas jāatvieno no kontaktligzdas, lai novērstu nelietderīgu elektroenerģijas patēriņu. Uzlādes laikā lādētājam ir jāatrodas elektriskās kontaktligzdas tuvumā un jābūt viegli pieejamam.

Akumulatora uzlādes līmeņa pārbaude

Vienlaikus 1 sekundi turiet nospiestu skaļuma palielināšanas pogu un daudzfunkciju pogu. Paziņojuma indikators nomirgo trīs reizes dažādās krāsās atkarībā no uzlādes statusa.

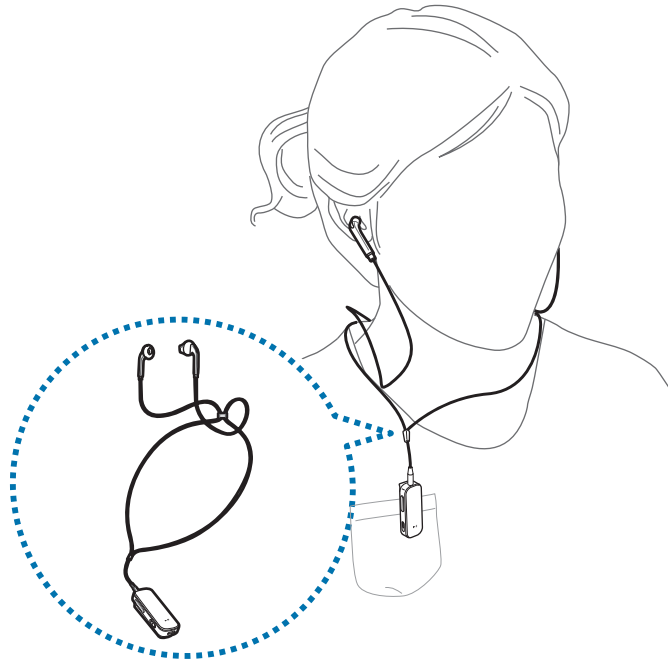
Statuss	Krāsa
Mazāks par 30%	• Sarkana
30–60%	• Dzeltena
Lielāks par 60%	• Zaļa

Ierīces un austiņu lietošana

Pievienojiet komplektācijā iekļautās austiņas ierīcei Level Link un valkājiet austiņas ap kaklu.

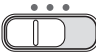


- 1 Iespraudiet austiņas ierīces Level Link audio ligzdā.
- 2 Noregulējiet austiņu turētāju, izveidojot pietiekami lielu cilpu atbilstoši galvas lielumam.

- 3 Piestipriniet ierīci Level Link pie sava apģērba.
- 4 Valkājiet austiņas ap kaklu un iespraudiet tās ieaušos.



Esiet uzmanīgi, izmantojot ierīci ar vadu austiņām. Iespējama smakšana, ja austiņu vads aptinas ap kaklu.

Ierīces ieslēgšana un izslēgšana

-  : aktivizējiet saņemšanas režīmu.
-  : aktivizējiet nosūtīšanas režīmu.
-  : izslēdziet ierīci.



Ņemiet vērā visus pilnvarota personāla publicētos brīdinājumus un norādījumus vietās, kur bezvadu ierīču izmantošana ir ierobežota, piemēram, lidmašīnās un slimnīcās.

Ierīces lietošana

Bluetooth

Par Bluetooth

Bluetooth ir bezvadu tehnoloģijas standarts, kas izmanto 2,4 GHz frekvenci, lai savienotu dažādas ierīces īsos attālumos. Tas var izveidot savienojumu un apmainīties datiem ar citām ierīcēm, kurās iespējota funkcija Bluetooth, piemēram, mobilajām ierīcēm, datoriem, printeriem un citu digitālo sadzīves tehniku, neveidojot savienojumu ar kabeļiem.

Norādes Bluetooth lietošanai

- Lai izvairītos no problēmām, veidojot jūsu ierīces savienojumu ar citu ierīci, novietojiet ierīces tuvu viena otrai.
- Nodrošiniet, lai jūsu ierīce un otra Bluetooth ierīce atrastos Bluetooth savienojuma izveides diapazona robežās (10 m). Attālums var mainīties atkarībā no vides, kurā ierīces tiek izmantotas.
- Pārliedzieties, vai nav šķēršļu starp austiņām un pievienoto ierīci, ieskaitot cilvēku ķermeņus, sienas, stūrus, vai žogus.
- Neaiztieci pievienotas ierīces Bluetooth antenu.
- Bluetooth izmanto tādu pašu frekvenci, kā daži industriālie, zinātniskie, medicīniskie un zema enerģijas patēriņa produkti un var būt traucējumi izveidojot savienojumus šāda veida produktu tuvumā.
- Dažas ierīces, it īpaši tās, kuras Bluetooth SIG nav pārbaudījis vai apstiprinājis, var nebūt saderīgas ar šīm austiņām.
- Neizmantojiet Bluetooth funkciju nelikumīgiem mērķiem (piemēram, veidojot pirātiskas failu kopijas vai nelegāli noklausoties komunikāciju komerciāliem mērķiem).

Pieslēgšanās pie citām ierīcēm



Skaņas kvalitāte un lietošanas diapazons starp ierīci Level Link un savienotajām audio ierīcēm var atšķirties atkarībā no audio ierīcēm, kurās ir aktivizēta funkcija Bluetooth.

Savienojuma izveide saņemšanas režīmā

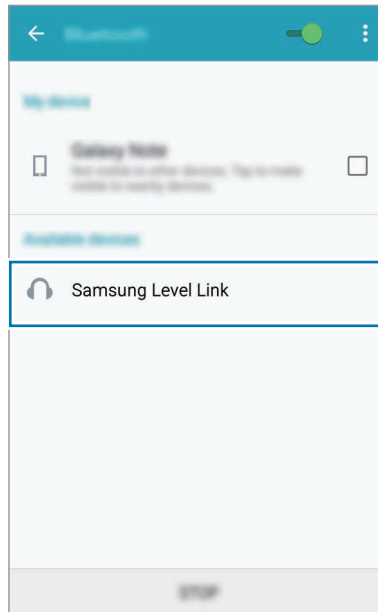
Jūs varat saņemt ienākošos zvanus vai klausīties mūziku, ja ierīce Level Link ir savienota ar ierīcēm, kurās ir aktivizēta funkcija Bluetooth. Pirmo reizi ieslēdzot ierīci Level Link, tā pārslēgsies Bluetooth savienošanas pārī režīmā.



- Pirmoreiz savienojot pārī Level Link ar citām ierīcēm, izmantojot Bluetooth, Level Link automātiski pievienojas pārī savienotajām ierīcēm. Ja ierīcei Level Link neizdodas izveidot savienojumu, tā aktivizē Bluetooth savienošanas pārī režīmu.
- Level Link var uzglabāt līdz pat 8 ierīču informāciju. Ja ierīce Level Link tiek savienota ar vairāk nekā vienu ierīci, tā izveido savienojumu ar nesenāko pārī savienoto ierīci.

- 1 Level Link** Slidīniet režīma slēdzi pa kreisi, lai aktivizētu saņemšanas režīmu.
- 2 Level Link** Turiet nospiestu daudzfunkciju pogu apmēram 3 sekundes, lai aktivizētu Bluetooth savienošanas pārī režīmu.
- 3 Otra ierīce** Aktivizējiet funkciju Bluetooth un meklējiet Bluetooth ierīces. Lai iegūtu papildinformāciju, skatiet otrās ierīces lietotāja rokasgrāmatu.

4 **Otra ierīce** Sarakstā pieskarieties **Samsung Level Link**.



5 **Level Link** Izveidojiet savienojumu starp austiņām un Level Link.

Vai arī pievienojiet ierīci Level Link audio izvades ierīces papildu ievades ligzdai, izmantojot audio kabeli.



Šajā režīmā, izveidojot savienojumu starp Level Link un TV vai datora audio izvades ligzdu, izmantojot audio kabeli, jūsu ierīce Level Link var tikt bojāta.

Savienojuma izveide sūtīšanas režīmā

Pievienojiet savu ierīci multivides atskaņotājam, izmantojot audio kabeli. Jūs varat klausīties multivides failus, izmantojot citu audio ierīci, piemēram, Bluetooth austiņas. Pirmo reizi ieslēdzot ierīci Level Link, tā pārslēgsies Bluetooth savienošanas pārī režīmā.



- Pirmoreiz savienojot pārī Level Link ar citām ierīcēm, izmantojot Bluetooth, Level Link automātiski pievienojas pārī savienotajām ierīcēm. Ja ierīcei Level Link neizdodas izveidot savienojumu, tā aktivizē Bluetooth savienošanas pārī režīmu.
- Level Link var uzglabāt līdz pat 8 ierīču informāciju. Ja ierīce Level Link tiek savienota ar vairāk nekā vienu ierīci, tā izveido savienojumu ar nesenāko pārī savienoto ierīci.

- 1** **Level Link** Slidīniet režīma slēdzi pa labi, lai aktivizētu sūtīšanas režīmu.
- 2** **Level Link** Turiet nospiestu daudzfunkciju pogu apmēram 3 sekundes, lai aktivizētu Bluetooth savienošanas pāri režīmu.
- 3** **Level Link** Novietojiet savu Level Link 30 cm attālumā no pāri savienotās audio ierīces. Ierīce Level Link un audioierīce tagad ir savienotas pāri, izmantojot Bluetooth. Ja neizdodas izveidot savienojumu, izslēdziet audio ierīci un ieslēdziet to vēlreiz. Tad atkārtojiet iepriekš minētās darbības.
- 4** Pievienojiet audio kabeli ierīces Level Link audio ligzdai. Pēc tam iespraudiet audio kabeļa otru galu multivides atskaņotāja audio izvades ligzdā.



- Savienojuma izveidošanas metode, izmantojot Bluetooth, var atšķirties atkarībā no pievienotajām ierīcēm. Lai iegūtu sīkāku informāciju, atsaučieties uz pievienotās ierīces lietotāja rokasgrāmatu.
- Ja ierīce Level Link ir savienota ar TV nosūtīšanas režīmā, iespējamas lūpu sinhronizēšanas problēmas. Ieteicams izveidot ierīces Level Link savienojumu ar TV, kurš atbalsta aptX zema latentuma kodējumu.
- Lietojot Level Link ar multivides atskaņotāju, pirms audio kabeļa atvienošanas samaziniet multivides atskaņotāja skaļumu, lai novērstu pēkšņas, skaļas skaņas.
- Iespējami trokšņi vai skaļuma samazināšanās atkarībā no pievienotā multivides atskaņotāja skaļuma. Lai izvairītos no tā, atbilstoši jānoregulē multivides atskaņotāja skaņa.

Papildu ierīču pievienošana

Saņemšanas režīmā vai nosūtīšanas režīmā, izmantojot Bluetooth, Level Link var pievienot līdz pat divām ierīcēm.

- 1 Saņemšanas režīmā vai nosūtīšanas režīmā savienojiet savu Level Link ar pirmo ierīci.
- 2 Savienojiet Level Link ar otro ierīci, izmantojot Bluetooth un savienojuma metodi, kas tika izmantota pirmajai ierīcei.



- Ja Level Link saņemšanas režīmā nav redzama atrasto ierīču sarakstā, turiet nospiestu daudzfunkciju pogu apmēram 3 sekundes, lai aktivizētu Bluetooth savienošanas pāri režīmu.
- Sūtīšanas režīmā, kad ierīce Level Link ir savienota ar vienu audio ierīci, tā atbalsta aptX zema latentuma kodeku. Ja divas audio ierīces ir vienlaicīgi savienotas ar ierīci Level Link, aptX kodeks netiek atbalstīts un video un audio izejas var nebūt sinhronizētas.
- Nosūtīšanu režīmā izmantošanas diapazons starp Level Link un citām ierīcēm var būt samazināts.

Atkārtota pievienošana un atvienošana no citām ierīcēm

Atkārtota savienojuma izveide starp ierīcēm

Kad ierīce Level Link ir atvienota no audioierīces starp ierīcēm esošā attāluma dēļ, satuviniet ierīces un nospiediet daudzfunkciju pogu, lai atkal savienotu ierīces pāri. Vai arī varat izmantot Bluetooth izvēlni audioierīcē, lai savienotu ierīces pāri.

Ierīču savienojuma pārtraukšana

Lai atvienotu Level Link no audioierīces, izslēdziet savu ierīci vai pārtrauciet ierīču savienojumu pāri. Ja ierīces tika savienotas, izmantojot audio kabeli, atvienojiet kabeli no abām ierīcēm.

Saņemšanas un nosūtīšanas režīmu izmantošana

Saņemšanas režīmā jūs varat palaist S Voice, atbildēt uz ienākošajiem zvaniem vai atskaņot multivides failus. Šajā režīmā izmantojiet savu Level Link ar austiņām vai pievienojiet Level Link audio ierīci, izmantojot audio kabeli.

Nosūtīšanas režīmā jūs varat klausīties audio no multivides atskaņotāja, izmantojot savienoto audio ierīci.



- Pieejamās funkcijas var atšķirties atkarībā no ierīces, ar kuru veidojat savienojumu. Dažas funkcijas var nebūt pieejamas, ja ierīce Level Link vienlaikus ir savienota ar divām ierīcēm.
- Dažas funkcijas ir pieejamas tikai tad, ja Level Link izveido savienojumu ar ierīci, izmantojot brīvroku profilu (HFP).
- Mikrofona atrašanās vieta mainās atkarībā no tā, kā jūs valkājat Level Link. Level Link novietojums var ietekmēt skaņas kvalitāti sarunu laikā.

S Voice palaišana

Nospiediet daudzfunkciju pogu 1 sekundi. Ja pievienotā ierīce atbalsta S Voice, jūs varat izmantot šo programmu, izmantojot Level Link.

Atbildēšana uz zvaniem un to noraidīšana

Atbildēšana uz zvanu

Nospiediet zvanišanas pogu, lai atbildētu uz savienotās ierīces zvaniem.

Zvana noraidīšana

Turiet nospiestu zvanišanas pogu, lai noraidītu savienotās ierīces zvanus.

Opciju izmantošana zvana laikā

Skaļuma pielāgošana

Zvana laikā nospiediet skaļuma pogu, lai regulētu skaļumu.

Skaņas izvades pārslēgšana

Turiet nospiestu zvanīšanas pogu, lai pārsūtītu zvanus no Level Link uz savienoto ierīci. Šī funkcija var nebūt pieejama atkarībā no savienotās ierīces.

Zvana beigšana

Nospiediet zvanīšanas pogu, lai izbeigtu zvanu.

Multivides failu atskaņošana

Atskaņojiet multivides failus saņemšanas vai nosūtīšanas režīmā. Pieejamās funkcijas var atšķirties atkarībā izmantotā režīma.

Multivides failu atskaņošana un apturēšana

Nospiediet daudzfunkciju pogu, lai atskaņotu nesenāko multivides failu savienotajā ierīcē.

Nospiediet daudzfunkciju pogu, lai pauzētu atskaņošanu. Lai atsāktu atskaņošanu, no jauna nospiediet daudzfunkciju pogu.

Iepriekšējā vai nākamā multivides faila izlaišana

Nospiediet atpakaļ attīšanas pogu vai uz priekšu pārtīšanas pogu, lai atskaņošanas laikā pārietu uz iepriekšējo vai nākamo failu.

Multivides faila attīšana atpakaļ vai pārtīšana uz priekšu

Turiet nospiebtu atpakaļ attīšanas pogu vai uz priekšu pārtīšanas pogu, lai atskaņošanas laikā failu attītu atpakaļ vai pārtītu uz priekšu.

Skaļuma pielāgošana

Nospiediet skaļuma pogu, lai regulētu skaļumu.



- Ja ierīce Level Link ir savienota ar divām ierīcēm, varat atskaņot multivides failus no jebkuras ierīces. Lai atskaņotu multivides failu no citas ierīces, vispirms pauzējiet atskaņošanu no otras ierīces.
- Atskaņojot multivides failu no vienas ierīces, jūs joprojām varat atbildēt uz zvaniem no otras ierīces.
- Ja nosūtīšanas režīmā pastāv audio kabeļa un savienotās audio ierīces izejas jaudas atšķirības, var atšķirties Level Link skaņas skaļums.

Datu atiestatīšanas veikšana

Ja jūsu ierīce Level Link ir savienota ar ierīci, izmantojot Bluetooth, Level Link informācija, piemēram, Bluetooth adrese un ierīces veids, tiek saglabāta savienotajā ierīcē. Lai dzēstu Level Link savienojuma informāciju, turiet nospiebtu daudzfunkciju pogu apmēram 3 sekundes, lai aktivizētu Bluetooth savienošanas pārī režīmu. Pēc tam 3 sekundes vienlaicīgi turiet nospiebtas REW, FF un daudzfunkciju pogas.

Pielikums

Problēmu novēršana

Pirms sazināties ar Samsung servisa centru, lūdzu, izmēģiniet tālāk norādītos risinājumus. Dažas situācijas var nebūt attiecināmas uz jūsu ierīci.

Jūsu ierīce neieslēdzas

Ja akumulators ir pilnībā izlādējies, ierīce neieslēgsies. Pirms ierīces ieslēgšanas pilnībā uzlādējiet akumulatoru.

Akumulators netiek pareizi uzlādēts (ar Samsung apstiprinātiem lādētājiem)

- Pārliedzieties, vai lādētājs ir pareizi pievienots.
- Apmeklējiet Samsung servisa centru un nomainiet akumulatoru.

Cita Bluetooth ierīce nevar atrast jūsu ierīci

- Pārliedzieties, vai jūsu ierīce darbojas Bluetooth savienošanas pāri režīmā.
- Atiestatiet ierīci un meklējiet Bluetooth ierīces.
- Nodrošiniet, lai jūsu ierīce un otra Bluetooth ierīce atrastos Bluetooth savienojuma izveides diapazona robežās (10 m).

Ja iepriekš norādītie padomi nepalīdz novērst problēmu, sazinieties ar Samsung servisa centru.

Cita Bluetooth ierīce netiek atrasta

- Pārliedzieties, ka ierīce, ko vēlaties pievienot, atbalsta Bluetooth bezvadu funkciju.
- Nodrošiniet, ka jūsu ierīce un otra Bluetooth ierīce ir Bluetooth maksimālā diapazona robežās (10 m).

Bluetooth savienojums bieži pārtrūkst

- Ja starp ierīcēm ir šķēršļi, darbības attālums var samazināties.
- Nodrošiniet, ka jūsu ierīce un otra Bluetooth ierīce ir Bluetooth maksimālā diapazona robežās (10 m).
- Izmantojot šo ierīci ar citām Bluetooth ierīcēm, savienojumu var ietekmēt elektromagnētiskie viļņi. Izmantojiet šo ierīci vidē ar nelielu skaitu bezvadu ierīču.

Jūs nevarat dzirdēt citus runājam

- Pielāgojiet ierīces skaļuma līmeni.
- Pielāgojiet skaļumu savienotajā ierīcē, ja jūs nedzirdat skaņas savā ierīcē pilnā skaļumā.

Sarunas laikā skaņa atbalsojas

Pielāgojiet skaļuma līmeni, nospiežot skaļuma pogu, vai pārvietojieties uz citu vietu.

Sarunas laikā citi jūs nedzird

- Pārlicinieties, vai iebūvētais mikrofons nav aizklāts.
- Pārlicinieties, lai mikrofons atrastos jūsu mutes tuvumā.

Audio kvalitāte ir zema

- Bezvadu tīkla pakalpojumi var tikt deaktivizēti, rodoties problēmām pakalpojumu sniedzēja tīklā. Nodrošiniet, lai ierīce būtu aizsargāta no elektromagnētiskajiem viļņiem.
- Nodrošiniet, ka jūsu ierīce un otra Bluetooth ierīce ir Bluetooth maksimālā diapazona robežās (10 m).

Ierīces darbība atšķiras no rokasgrāmatā aprakstītās

- Pieejamās funkcijas var atšķirties atkarībā no savienotās ierīces.
- Dažas funkcijas nevar izmantot, ja ar ierīci vienlaicīgi ir savienotas divas ierīces.

Akumulators izlādējas ātrāk, salīdzinot ar iegādes brīdi

- Ja jūs pakļaujat ierīci vai akumulatoru ļoti zemām vai ļoti augstām temperatūrām, noderīgā uzlāde var samazināties.
- Akumulatora darbmūžs ir ierobežots, un noderīgā izlāde laika gaitā samazinās.

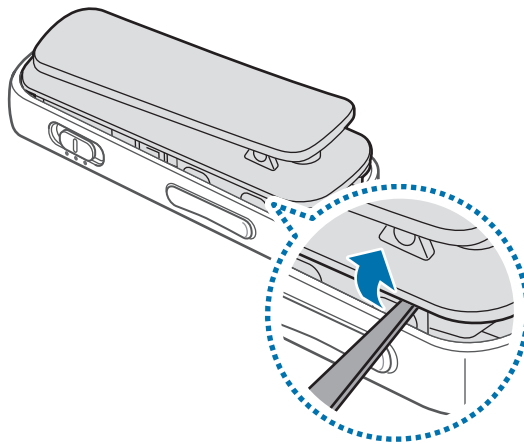
Akumulatora izņemšana (neizņemama veida)



- Šīs instrukcijas ir tikai jūsu pakalpojuma sniedzējam vai autorizētam remonta aģentam.
- Bojājumi vai vainas, kas radušies neautorizētas akumulatora izņemšanas gadījumā netiek segti ar garantiju.
- Lai izņemtu vai nomainītu akumulatoru, sazinieties ar savu pakalpojumu sniedzēju vai autorizētu remonta aģentu.

1 Ievietojiet plānu, plakānu rīku spraugā starp vāku un ierīces korpusu.

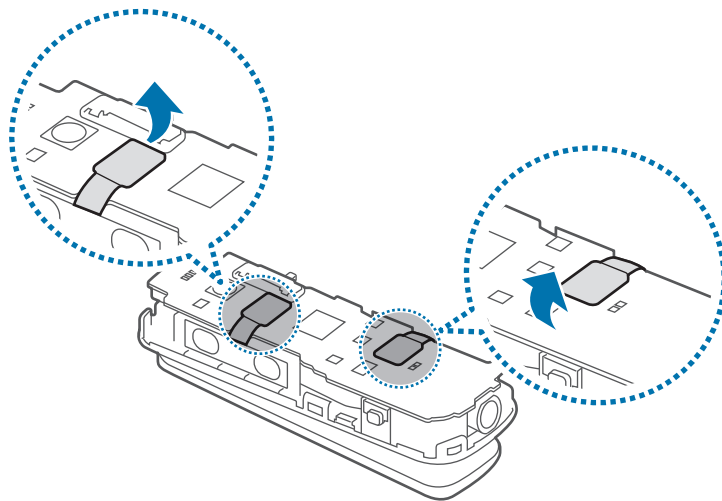
Tad izmantojiet šo rīku, lai abas daļas atdalītu, kā parādīts tālāk redzamajā attēlā.



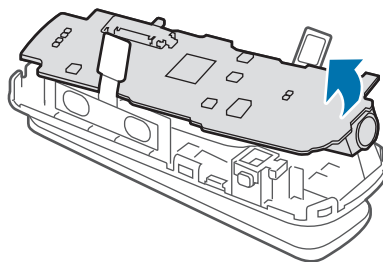
Uzmanieties, ievietojot rīku, lai nesabojātu ierīces iekšējos komponentus.

2 Kad vāks ir noņemts, nolieciet to malā.

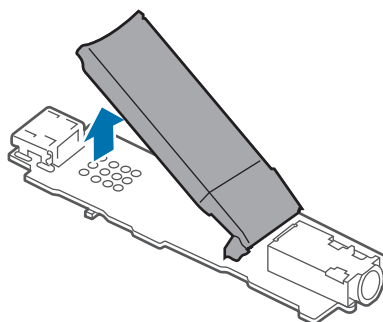
3 Atvienojiet akumulatora savienotājus.



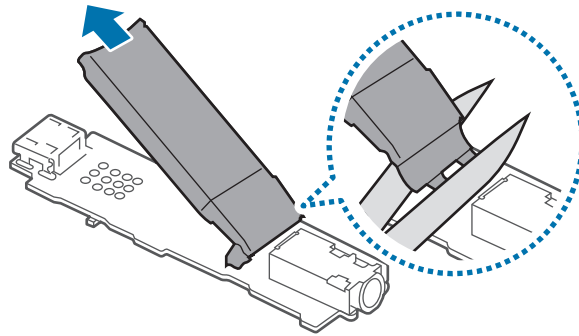
4 Noņemiet mikroshēmas plati, atvienojot no ierīces korpusa, un novietojiet to ar skatu uz leju uz līdzenas virsmas.



5 Uzspiediet uz uzlādes porta un pavelciet akumulatoru uz augšu, lai atbrīvotu to no mikroshēmas plates.



- 6 Velciet akumulatoru prom no mikroshēmas plates un atvienojiet, kā parādīts tālāk redzamajā attēlā.



- 7 Izņemiet akumulatoru.

Atbilstības deklarācija

Informācija par izstrādājumu

Šādam

Izstrādājumam : Bluetooth sargspraudnis

Modelis : EO-RG920



Deklarācija un piemērotie standarti

Ar šo mēs paziņojam, ka iepriekšminētais izstrādājums atbilst būtiskām Radiosakaru un telekomunikāciju termināla iekārtu (R&TTE) direktīvas (1999/5/EK) prasībām, piemērojot šādus standartus:

DROŠĪBA	EN 60950-1 : 2006 + A11 : 2009 + A1 : 2010 + A12 : 2011
SAR	EN 50566 : 2013 EN 62479 : 2010
EMC	EN 301 489-01 V1.9.2 (2011-09) EN 301 489-17 V2.2.1 (2012-09)
Radio	EN 300 328 V1.8.1 (2012-06)

un Direktīvai (2011/65/ES) par bīstamu vielu izmantošanas ierobežošanu elektriskās un elektroniskās iekārtās ar EN 50581:2012 pieteikumu.

Pārstāvis ES

Samsung Electronics Euro QA Lab.
Blackbushe Business Park
Saxony Way, Yateley, Hampshire
GU46 6GG, UK

2015.01.27

(izdošanas vieta un datums)



Stephen Colclough / ES pārstāvis

(pilnvarotās personas vārds, uzvārds un paraksts)

* Šī nav Samsung klientu apkalpošanas centra adrese. Lai uzzinātu Samsung klientu apkalpošanas centra adresi vai tālruna numuru, skatiet garantijas karti vai sazinieties ar mazumtirgotāju, pie kura iegādājaties savu izstrādājumu.

Autortiesības

Autortiesības © 2015 Samsung Electronics

Šī rokasgrāmata ir aizsargāta saskaņā ar starptautiskiem autortiesību likumiem.

Nevienu no šīs rokasgrāmatas daļām nedrīkst pavairot, izplatīt, tulkot vai nodot tālāk jebkādā formā vai veidā, elektroniskā vai mehāniskā, ieskaitot fotokopiju vai ierakstu izveidi un uzglabāšanu jebkādā informācijas glabāšanas un izgūšanas sistēmā, ja iepriekš nav saņemta rakstiska atļauja no Samsung Electronics.

Preču zīmes

- SAMSUNG un SAMSUNG logotips ir Samsung Electronics reģistrētas preču zīmes.
- Bluetooth® ir pasaulē reģistrēta preču zīme, kas pieder Bluetooth SIG, Inc.
- Visas preču zīmes un autortiesības ir to attiecīgo īpašnieku īpašums.

Pirmiausia perskaitykite

Kad saugiai ir tinkamai naudotumėtės prietaisu, pirmiausia perskaitykite šį vadovą.

- Aprašai pagrįsti numatytaisiais prietaiso nustatymais.
- Paveikslėlių išvaizda gali skirtis nuo tikrojo gaminio. Turinys gali keistis be išankstinio įspėjimo.

Instrukcijų piktogramos



Įspėjimas: atvejai, kai galite susižaloti ar sužaloti kitus



Perspėjimas: atvejai, kai galite sugadinti savo prietaisą ar kitą įrangą



Pastaba: pastabos, naudojimo patarimai ar papildoma informacija

Pradžia

Apie „Level Link“

„Level Link“ veikia priėmimo ir siuntimo režimais. Kai įjungtas priėmimo režimas, galite prisijungti ausines prie „Level Link“, be to, naudodami šias „Bluetooth“ ausines galite prisijungti prie „Bluetooth“ turinčių prietaisų, pvz., išmaniųjų telefonų ir planšetinių kompiuterių. Kai įjungtas siuntimo režimas, galite naudoti prietaisą kaip rakta, kuris jungiamas prie kompiuterių, televizorių, „Bluetooth“ ausinių ir pan.

Kai įjungtas priėmimo režimas, galite naudoti vieną iš šių funkcijų:

- „S Voice“ paleidimas
- Skambučių priėmimas arba jų baigimas
- Multimedijos failų valdymas

Kai įjungtas siuntimo režimas, galite paleisti prijungto multimedijos prietaiso signalą.

Pakuotės turinys

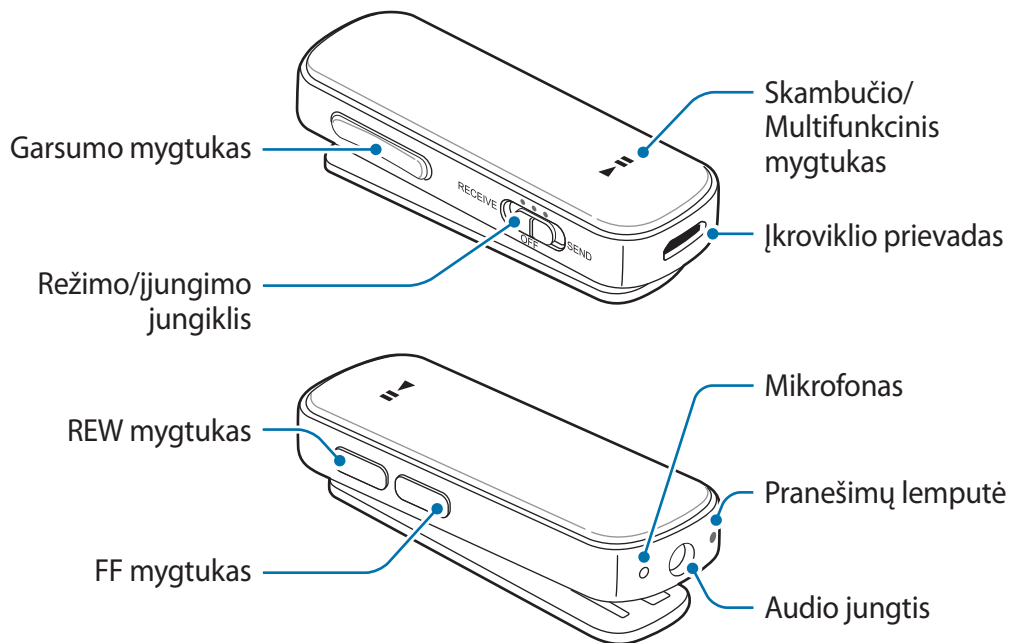
Patikrinkite, ar produkto dėžėje yra šie daiktai:

- Prietaisas
- Ausinės
- USB laidas
- Audio laidas
- Trumpasis darbo pradžios vadovas



- Daiktai, pateikiami su prietaisu, ir galimi priedai gali skirtis, priklausomai nuo regiono ar paslaugų tiekėjo.
- Kartu teikiami elementai skirti tik šiam prietaisui ir gali būti nesuderinami su kitais prietaisais.
- Išvaizda ir specifikacijos gali keistis be išankstinio įspėjimo.
- Papildomų priedų galite įsigyti iš vietinio „Samsung“ mažmeninės prekybos atstovo. Prieš įsigydami įsitikinkite, kad jie suderinami su prietaisu.
- Naudokite tik „Samsung“ patvirtintus priedus. Nepatvirtintų priedų naudojimas gali sukelti veikimo sutrikimus, kuriems garantija negalioja.
- Tai, ar bet kuris iš priedų yra galimas, priklauso tik nuo juos gaminančių įmonių. Norėdami daugiau informacijos apie galimus priedus, žr. „Samsung“ svetainėje.

Prietaiso išvaizda



Mygtukai ir funkcijos

Pavadinimas	Funkcija
Režimo/ijungimo jungiklis	<ul style="list-style-type: none"> Slinkite į kairę, kad aktyvuotumėte priėmimo režimą arba slinkite į dešinę, kad aktyvuotumėte siuntimo režimą. Norėdami išjungti prietaisą slinkite į padėtį OFF.
Skambučio/ Multifunkcinis mygtukas	<ul style="list-style-type: none"> Kai įjungtas priėmimo režimas, paspauskite ir laikykite 1 sekundę, jei norite paleisti „S Voice“. Kai įjungtas priėmimo režimas, paspauskite, jei norite atsiliesti arba baigti pokalbį. Kai įjungtas priėmimo režimas, paspauskite ir laikykite, jei norite atmesti skambutį. Kai įjungtas priėmimo režimas, paspauskite ir laikykite, jei norite perkelti skambučius iš „Level Link“ į savo kitą savo prietaisą arba atvirkščiai. Kai įjungtas priėmimo režimas, paspauskite, jei norite paleisti arba sustabdyti multimedijos failus. Kai įjungtas priėmimo režimas, paspauskite ir laikykite 3 sekundes, kad pradėtų veikti „Bluetooth“ poravimo režimas.
Garsumo mygtukas	<ul style="list-style-type: none"> Kai įjungtas priėmimo režimas, paspauskite, jei norite sureguliuoti garsumą pokalbio metu. Kai įjungtas priėmimo režimas, paspauskite, jei norite sureguliuoti garsumą multimedijos failų atkūrimo metu.
REW mygtukas / FF mygtukai	<ul style="list-style-type: none"> Kai įjungtas priėmimo režimas, paspauskite, jei norite paleisti ankstesnį ar sekantį multimedijos failą atkūrimo metu. Kai įjungtas priėmimo režimas, paspauskite ir laikykite, jei norite atsukti atgal arba persukti pirmyn multimedijos failą atkūrimo metu.

Būsenos indikatoriai

Būsena	Spalva
„Bluetooth“ poravimo režimas	<ul style="list-style-type: none"> Mirksi žalia, mėlyna ir raudona
Maitinimas įjungtas arba aktyvuoti režimai	<ul style="list-style-type: none"> Mirksi mėlyna 3 kartus

Būsena	Spalva
Maitinimas išjungtas	• Mirksi raudona 3 kartus
Įeinantis skambutis	• Mirksi mėlyna

Akumuliatoriaus įkrovimas

Prieš naudodamiesi „Level Link“ pirmą kartą arba tuomet, kai „Level Link“ ilgą laiką nebuvo naudojamas, įkraukite akumuliatorių.

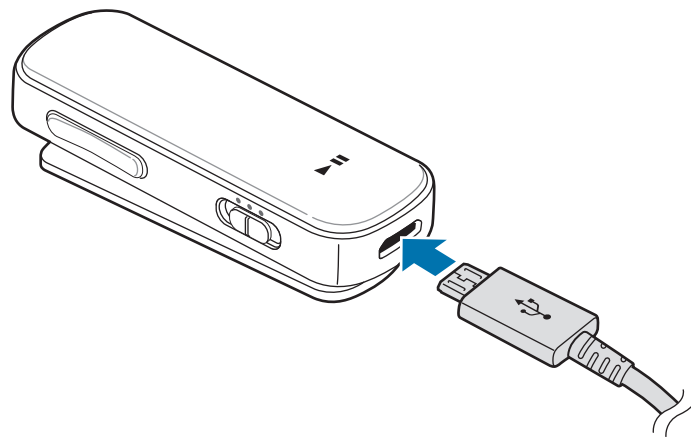


Naudokitės tik „Samsung“ patvirtintais įkrovikliais, akumuliatoriais ir laidais. Naudojantis nepatvirtintais įkrovikliais ar kabeliais gali susprogti akumuliatorius arba galite sugadinti ausines.



Jei akumuliatorius yra visiškai išsikrovęs, ausinių nebus galima įjungti iš karto, kai prijungsite jas prie įkroviklio. Prieš įjungdami ausines, kelias minutes įkraukite išsieikvojusį akumuliatorių.

Prijunkite prietaisą prie kompiuterio arba USB maitinimo adapterio USB laidu.



Neteisingai prijungdami įkroviklį galite smarkiai sugadinti prietaisą. Bet kokiems dėl neteisingo naudojimo kilusiems pažeidimams nėra teikiama garantija.



- Kraunamą prietaisą galite naudoti, tačiau dėl to jo akumuliatorius ilgiau krausis.
- Kraunamas prietaisas gali įkaisti. Tai įprastas reiškinys ir jis neturėtų trumpinti prietaiso naudojimo ar darbo laiko. Jei akumuliatorius įkaista labiau nei įprastai, įkroviklis gali nustoti krauti.
- Jeigu prietaisas tinkamai nesikrauna, nuneškite jį ir įkroviklį į „Samsung“ techninio aptarnavimo centrą.

Visiškai įsikrovus, atjunkite klaviatūrą nuo įkroviklio. Pirmiausia atjunkite įkroviklį nuo prietaiso ir tik tada atjunkite jį nuo elektros lizdo.



Norėdami tausoti energiją atjunkite įkroviklį, kai jo nenaudojate. Įkroviklis neturi jungimo jungiklio, todėl turite atjungti jį nuo elektros lizdo, kai juo nesinaudojate, taip neeikvodami veltui elektros. Įkraunant kroviklį reikėtų laikyti netoliese elektros lizdo ir lengvai pasiekiamą.

Akumulatoriaus įkrovos lygio patikrinimas

Vienu metu 1 sekundei paspauskite ir laikykite garsumo didinimo mygtuką ir daugiafunkcinį mygtuką. Pranešimų lemputė triskart sumirksi skirtingomis spalvomis, atsižvelgiant į įkrovimo būseną.

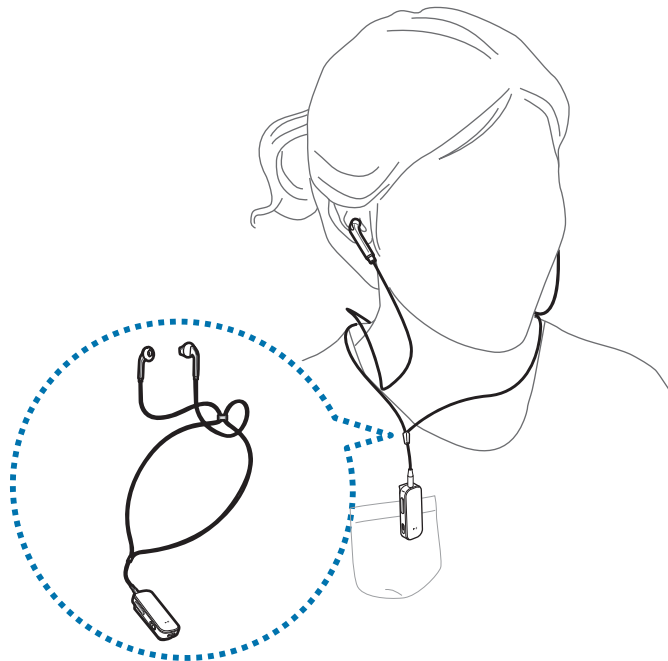
Būsena	Spalva
Mažiau nei 30 %	• Raudona
30–60 %	• Geltona
Daugiau nei 60 %	• Žalia

Prietaiso ir ausinių dėvėjimas

Prijunkite komplekte esančias ausines prie „Level Link“ ir nešiokite jas ant kaklo.

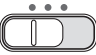
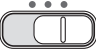

- 1 Įkiškite ausinių laidą į „Level Link“ audio jungtį.
- 2 Sureguliuokite ausinių sąvaržą taip, kad suformuotumėte kilpą, kuri būtų pakankamai didelė, kad pro ją galėtumėte įkišti savo galvą.

- 3 Prisekite „Level Link“ prie savo drabužių.
- 4 Nešiokite ausines ant kaklo ir prijunkite ausinių kištukus.



Būkite atsargūs, kai naudojate šį prietaisą su laidinėmis ausinėmis. Ausinėms apsvyniojus aplink kaklą galite uždusti.

Prietaiso įjungimas ir išjungimas

-  : įjunkite priėmimo režimą.
-  : įjunkite siuntimo režimą.
-  : išjunkite prietaisą.



Vietose, kur belaidžių įrenginių naudojimas apribotas, pvz., lėktuvuose ar ligoninėse, vykdykite visus iškabintus personalo nurodymus ir įspėjimus.

Prietaiso naudojimas

„Bluetooth“

Apie „Bluetooth“

„Bluetooth“ – belaidžio ryšio technologija, naudojanti 2,4 GHz dažnį, kad būtų galima prisijungti prie įvairių prietaisų nedideliais atstumais. Juo galima prisijungti ir keistis duomenimis su kitais „Bluetooth“ prietaisais, pavyzdžiui, su mobiliaisiais prietaisais, kompiuteriais, spausdintuvais ir kitais skaitmeniniais namų apyvokos prietaisais, nesujungtais tarpusavyje laidais.

Pastabos apie „Bluetooth“ naudojimą

- Siekdami išvengti problemų, kurios gali kilti jungiant jūsų prietaisą prie kito prietaiso, abu prietaisus padėkite arčiau vienas kito.
- Įsitikinkite, kad jūsų prietaisas ir kitas „Bluetooth“ prietaisas yra „Bluetooth“ veikimo srityje (10 m). Atstumas gali kisti atsižvelgiant į aplinką, kurioje prietaisai naudojami.
- Įsitikinkite, kad tarp ausinių ir prijungto prietaiso nėra jokių fizinių kliūčių, įskaitant žmones, sienas, kampus ar tvoras.
- Nelieskite prijungto prietaiso „Bluetooth“ antenos.
- „Bluetooth“ naudoja tą patį dažnį, kaip ir kai kurie pramoniniai, moksliniai, medicininiai ir mažos galios produktai, todėl užmezgant ryšį netoli šių tipų produktų gali kilti trukdžių.
- Kai kurie prietaisai, ypač neišbandyti ar nepatvirtinti „Bluetooth SIG“, gali būti nesuderinami su ausinėmis.
- Nenaudokite „Bluetooth“ nelegaliais tikslais (pavyzdžiui failų kopijų piratavimui ar nelegaliam pokalbių pasiklausymui komerciniais tikslais).

Jungimas prie kitų prietaisų



„Level Link“ ir prijungtų garso prietaisų garso kokybė ir naudojimo atstumas gali skirtis ir priklausyti nuo „Bluetooth“ garso prietaisų rūšies.

Prisijungimas gavimo režimu

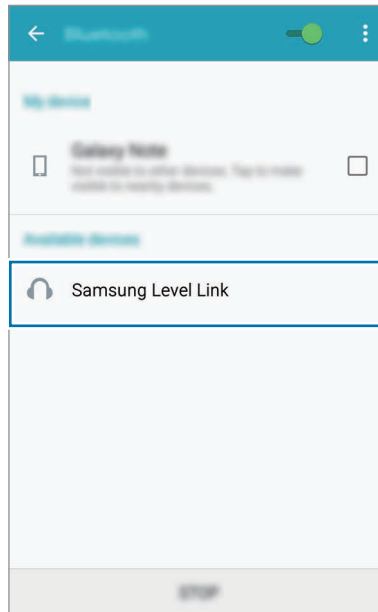
Galite gauti įeinančius skambučius arba klausyti muzikos, kai „Level Link“ yra prijungtas prie prietaisų, kurie palaiko „Bluetooth“ funkciją. Pirmą kartą įjungus „Level Link“, jis pradeda veikti „Bluetooth“ poravimo režimu.



- Pirmą kartą „Bluetooth“ ryšiu suporuojant „Level Link“ su kitais prietaisais, „Level Link“ prie suporuotų prietaisų prisijungia automatiškai. Jei „Level Link“ nepavyksta prisijungti, jis pradeda veikti „Bluetooth“ poravimo režimu.
- „Level Link“ gali išsaugoti iki aštuonių prietaisų informaciją. Jei „Level Link“ buvo prijungtas prie daugiau nei vieno prietaiso, jis jungiasi su paskutinį kartą suporuoto prietaiso.

- 1 „Level Link“** Slinkite režimo jungiklį kairėn, kad aktyvuotumėte priėmimo režimą.
- 2 „Level Link“** Paspauskite ir laikykite paspaudę daugiafunkcinį mygtuką apie 3 sekundes, kad pradėtų veikti „Bluetooth“ poravimo režimas.
- 3 Kitas prietaisas** Įjunkite „Bluetooth“ funkciją ir ieškokite „Bluetooth“ prietaisų.
Daugiau informacijos rasite kito prietaiso naudotojo vadove.

4 **Kitas prietaisas** Sąrašė palieskite „Samsung Level Link“.



5 **„Level Link“** Prijunkite ausines prie „Level Link“.

Arba prijunkite „Level Link“ prie prietaiso su audio išvestimi pagalbinės įvesties jungties per audio laidą.



Jei, veikiant šiam režimui, audio laidu prijungsite „Level Link“ prie televizoriaus arba kompiuterio audio išvesties jungties, jūsų „Level Link“ gali būti sugadintas.

Prisijungimas siuntimo režimu

Prijunkite prietaisą prie multimedijos grotuvo audio laidu. Galite klausytis multimedijos failų naudodami kitą garso prietaisą, pavyzdžiui, „Bluetooth“ ausines. Pirmą kartą įjungus „Level Link“, jis pradeda veikti „Bluetooth“ poravimo režimu.



- Pirmą kartą „Bluetooth“ ryšiu suporuojant „Level Link“ su kitais prietaisais, „Level Link“ prie suporuotų prietaisų prisijungia automatiškai. Jei „Level Link“ nepavyksta prisijungti, jis pradeda veikti „Bluetooth“ poravimo režimu.
- „Level Link“ gali išsaugoti iki aštuonių prietaisų informaciją. Jei „Level Link“ buvo prijungtas prie daugiau nei vieno prietaiso, jis jungiasi prie paskutinį kartą suporuoto prietaiso.

- 1 **„Level Link“** Slinkite režimo jungiklį kairėn, kad aktyvuotumėte siuntimo režimą.
- 2 **„Level Link“** Paspauskite ir laikykite paspaudę daugiafunkcinį mygtuką apie 3 sekundes, kad pradėtų veikti „Bluetooth“ poravimo režimas.
- 3 **„Level Link“** Laikykite „Level Link“ per 30 cm nuo suporuoto garso prietaiso.
Dabar „Level Link“ ir garso prietaisas sujungti „Bluetooth“ ryšiu. Jei ryšys nutrūksta, išjunkite garso prietaisą ir vėl jį įjunkite. Tada pakartokite anksčiau nurodytus veiksmus.
- 4 Įkiškite audio laidą į „Level Link“ audio jungtį. Tuomet įkiškite kitą audio laido galą į multimedijos grotuvo audio išvesties jungtį.



- Sujungimo, naudojant „Bluetooth“, metodas gali skirtis, priklausomai nuo sujungtų prietaisų. Daugiau informacijos ieškokite prijungto prietaiso naudotojo vadove.
- Kai „Level Link“ prijungtas prie televizoriaus siuntimo režimu, gali pasitaikyti sinchronizavimo problemų. Rekomenduojama prijungti „Level Link“ prie televizoriaus, kuris palaiko „aptX Low Latency“ kodeką.
- Jei jungiate „Level Link“ prie multimedijos grotuvo, prieš ištraukdami audio laidą sumažinkite multimedijos grotuvo garsumą, kad būtų išvengta netikėtų, stiprių garsų.
- Atsižvelgiant į prijungto multimedijos grotuvo garsumą, garsumas gali svyruoti arba gali girdėtis triukšmas. Siekiant to išvengti, sureguliuokite multimedijos grotuvo garsumą.

Papildomų prietaisų prijungimas

Kai įjungtas priėmimo arba siuntimo režimas, jūsų „Level Link“ „Bluetooth“ ryšiu gali prisijungti prie dviejų prietaisų.

- 1 Kai įjungtas priėmimo arba siuntimo režimas, prijunkite jūsų „Level Link“ prie pirmojo prietaiso.
- 2 Prijunkite „Level Link“ „Bluetooth“ ryšiu prie antrojo prietaiso naudodami prisijungimo būdą, kuris buvo naudojamas pirmojo prietaiso atveju.



- Kai įjungtas priėmimo režimas, bet „Level Link“ nėra aptiktų prietaisų sąrašė, paspauskite ir laikykite paspaudę daugiafunkcinį mygtuką apie 3 sekundes, kad pradėtų veikti „Bluetooth“ poravimo režimas.
- Siuntimo režime, kai yra prijungtas prie vieno garso prietaiso, „Level Link“ palaiko aptX trumpos delsos kodeką. Jeigu vienu metu du garso prietaisai yra prijungti prie „Level Link“, aptX kodekas nepalaikomas ir vaizdo bei garso išvestys gali būti nesinchroniškos.
- Kai įjungtas siuntimo režimas, gali sumažėti naudojimo atstumas tarp „Level Link“ ir kitų prijungtų prietaisų.

Pakartotinis prijungimas arba atjungimas nuo kitų prietaisų

Pakartotinis prietaisų prijungimas

Jūsų „Level Link“ atsijungus nuo audio prietaiso dėl per didelio atstumo tarp prietaisų, pastatykite juos arčiau vienas kito ir paspauskite daugiafunkcinį mygtuką, kad juos vėl suporuotumėte. Arba prietaisams suporuoti galite naudoti audio prietaiso „Bluetooth“ meniu.

Pakartotinis prietaisų atjungimas

Norėdami atjungti „Level Link“ nuo audio prietaiso, išjunkite savo prietaisą arba prietaisus atsiekite. Jei šiuos du prietaisus sujungėte audio laidu, atjunkite laidą nuo abiejų prietaisų.

Priėmimo ir siuntimo režimų naudojimas

Kai įjungtas priėmimo režimas, galite paleisti „S Voice“, gauti įeinančius skambučius arba paleisti multimedijos failus. Šiuo režimu naudokite savo „Level Link“ su ausinėmis arba audio laidu prijunkite „Level Link“ prie audio prietaiso.

Kai įjungtas siuntimo režimas, galite klausyti multimedijos grotuvo garso įrašų per kitą prijungtą garso prietaisą.



- Prieinamos funkcijos gali skirtis, atsižvelgiant į prijungtą prietaisą. Jei „Level Link“ vienu metu prijungtas prie dviejų garso prietaisų, kai kurios funkcijos gali neveikti.
- Kai kurios funkcijos prieinamos tik tuomet, kai „Level Link“ prijungtas prie prietaiso naudojant laisvų rankų profilį (HFP).
- Mikrofono padėtis skiriasi ir priklauso nuo to, kaip jūs dėvite „Level Link“. „Level Link“ padėtis gali turėti įtakos garso kokybei pokalbių metu.

„S Voice“ paleidimas

Paspauskite daugiafunkcinį mygtuką 1 sekundei. Jei prijungtas prietaisas suderinamas su „S Voice“, galite naudoti programą per „Level Link“.

Atsiliepimas į skambutį ir jo atmetimas

Atsiliepimas į skambutį

Norėdami atsiliepti į skambučius, gaunamus į prijungtą prietaisą, paspauskite skambinimo mygtuką.

Skambučio atmetimas

Norėdami atmesti skambučius, gaunamus į prijungtą prietaisą, paspauskite ir laikykite paspaudę skambinimo mygtuką.

Parinkčių naudojimas skambučio metu

Garsumo reguliavimas

Norėdami reguliuoti garsumą skambučio metu, paspauskite garsumo mygtuką.

Garso išvesties perjungimas

Norėdami perkelti skambučius iš „Level Link“ į prijungtą prietaisą, paspauskite ir laikykite paspaudę skambinimo mygtuką. Šios funkcijos gali skirtis, atsižvelgiant į prijungtą prietaisą.

Skambučio baigimas

Norėdami baigti skambutį paspauskite skambinimo mygtuką.

Multimedijos failų paleidimas

Paleiskite multimedijos failus, kai įjungtas priėmimo arba siuntimo režimas. Prieinamos funkcijos gali skirtis, atsižvelgiant į naudojamą režimą.

Multimedijos failų paleidimas ir išjungimas

Paspauskite ir laikykite paspaudę daugiafunkcinį mygtuką, jei norite paleisti paskutinį prijungto prietaiso multimedijos failą.

Paspauskite daugiafunkcinį mygtuką, jei norite pristabdyti įrašo atkūrimą. Norėdami tęsti atkūrimą, vėl paspauskite daugiafunkcinį mygtuką.

Peršokimas prie ankstesnės arba kitos dainos

Paspauskite REW arba FF mygtuką, jei norite peršokti prie ankstesnės arba kitos dainos atkūrimo metu.

Multimedijos failo persukimas atgal arba pirmyn

Paspauskite ir laikykite paspaudę REW arba FF mygtuką, jei norite persukti failą atgal arba pirmyn atkūrimo metu.

Garsumo reguliavimas

Norėdami reguliuoti garsumą paspauskite garsumo mygtuką.



- Jei „Level Link“ vienu metu prijungtas prie dviejų prietaisų, galite paleisti bet kurio iš šių prietaisų multimedijos failus. Norėdami atkurti multimedijos failą iš kito prietaiso, pirmiausia pristabdykite atkūrimą iš pirmo prietaiso.
- Kai viename prietaise paleidžiate multimedijos failą, vis tiek galite atsiliiepti į skambučius iš kito prietaiso.
- Jei siuntimo režimu skiriasi audio laido ir prijungto garso prietaiso išvesties galia, gali skirtis „Level Link“ garso įrašo garsumas.

Duomenų atkūrimas

Jeigu jūsų „Level Link“ prijungtas prie prietaiso „Bluetooth“ ryšiu, informacija apie „Level Link“, pavyzdžiui, Bluetooth adresas ir prietaiso tipas, išsaugomi prijungtame prietaise. Norėdami ištrinti „Level Link“ prisijungimo informaciją paspauskite ir laikykite paspaudę „Level Link“ daugiafunkcinį mygtuką 3 sekundes, kad pradėtų veikti „Bluetooth“ poravimo režimas. Tada vienu metu paspauskite ir 3 sekundes laikykite REW, FF ir daugiafunkcinį mygtuką.

Priedas

Trikčių diagnostika

Prieš susisiekdami su „Samsung“ techninio aptarnavimo centru pabandykite žemiau pateikiamus sprendimus. Dalis sprendimų gali nebūti tinkami jūsų prietaisui.

Prietaisas neįsijungia

Jei akumuliatorius visiškai išsikrovęs, prietaisas neįsijungs. Prieš naudodamiesi prietaisu, pilnai įkraukite akumuliatorių.

Akumuliatorius nesikrauna tinkamai (tik naudojant „Samsung“ patvirtintus įkroviklius)

- Patikrinkite, ar įkroviklis prijungtas tinkamai.
- Apsilankykite „Samsung“ techninės priežiūros centre, kad akumuliatorius būtų pakeistas.

Kitas „Bluetooth“ prietaisas neaptinka jūsų prietaiso

- Patikrinkite, ar jūsų prietaise įjungtas „Bluetooth“ poravimo režimas.
- Iš naujo nustatykite prietaisą ir įjunkite „Bluetooth“ prietaisų paiešką.
- Įsitikinkite, kad jūsų prietaisas ir kitas „Bluetooth“ prietaisas yra „Bluetooth“ veikimo srityje (10 m).

Jei aukščiau pateikti patarimai nepadėjo išspręsti problemos, susisiekite su „Samsung“ techninio aptarnavimo centru.

Kitas „Bluetooth“ prietaisas neaptiktas

- Įsitikinkite, kad prietaisas, prie kurio norite prisijungti, palaiko „Bluetooth“ belaidę funkciją.
- Įsitikinkite, kad jūsų prietaisas ir kitas „Bluetooth“ prietaisas yra maksimalioje „Bluetooth“ veikimo srityje (10 m).

„Bluetooth“ ryšys dažnai dingsta

- Jei tarp prietaisų yra kliūčių, veikimo atstumas gali sumažėti.
- Įsitikinkite, kad jūsų prietaisas ir kitas „Bluetooth“ prietaisas yra maksimalioje „Bluetooth“ veikimo srityje (10 m).
- Kai naudojate prietaisą su kitais „Bluetooth“ prietaisais, ryšį gali paveikti elektromagnetinės bangos. Naudokite prietaisą aplinkoje, kurioje yra nedaug belaidžių prietaisų.

Negirdite, ką kalba kiti

- Sureguliuokite prietaiso garsumą.
- Kai savo prietaise maksimaliu garsumu negirdite garsų, sureguliuokite garsumą prijungtame prietaise.

Skambučio metu girdimas aidas

Reguliuokite garsumo lygį garsumo mygtuku arba pereikite į kitą vietą.

Kiti negirdi jūsų skambučio metu

- Patikrinkite, ar neuždengiate įmontuoto mikrofono.
- Patikrinkite, ar mikrofonas arti burnos.

Garso kokybė yra prasta

- Belaidės tinklų paslaugos gali būti negalimos dėl problemų, kilusių paslaugų teikėjo tinkluose. Įsitikinkite, kad laikyti prietaisas apsaugotas nuo elektromagnetinių bangų.
- Įsitikinkite, kad jūsų prietaisas ir kitas „Bluetooth“ prietaisas yra maksimalioje „Bluetooth“ veikimo srityje (10 m).

Prietaisas veikia kitaip nei aprašyta vadove

- Prieinamos funkcijos gali skirtis, atsižvelgiant į prijungtą prietaisą.
- Kai kurios funkcijos negali būti naudojamos, kai vienu metu su prietaisu yra sujungti du prietaisai.

Akumulatorius išsikrauna greičiau nei iš karto nusipirkus

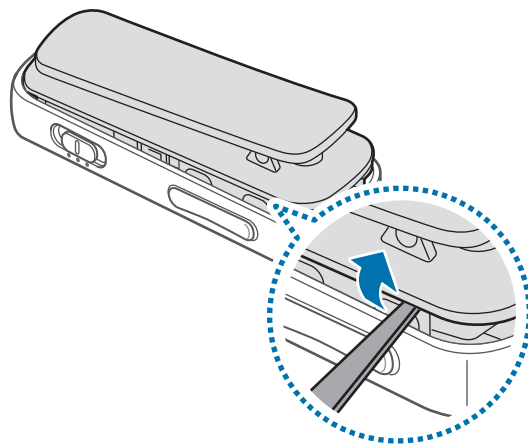
- Jei prietaisą arba akumuliatorių paveikia labai žema ar labai aukšta temperatūra, jo talpa gali sumažėti.
- Akumulatorius susinaudoja ir jo talpa laikui bėgant mažėja.

Akumulatoriaus išėmimas (neišimamo tipo akumulatorius)



- Šios instrukcijos yra skirtos tik jūsų paslaugos teikėjui ar įgaliotam aptarnavimo atstovui.
- Savarankiškai išėmus akumuliatorių ir dėl to jį sugadinus ar sutrikdžius jo veikimą, garantija nustoja galioti.
- Norėdami išimti ar pakeisti akumuliatorių, kreipkitės į savo paslaugos teikėją ar įgaliotąjį aptarnavimo atstovą.

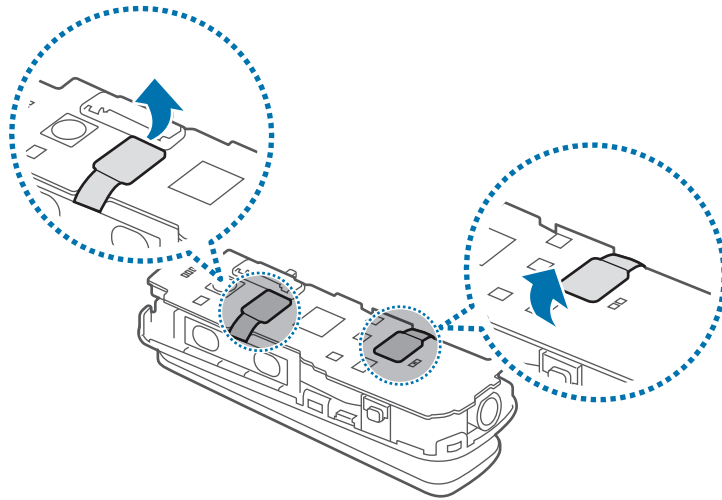
- 1 Į plyšį tarp dangtelio ir prietaiso korpuso įstatykite ploną plokščią įrankį.
Po to šiuo įrankiu atskirkite juos, kaip parodyta paveikslėlyje.



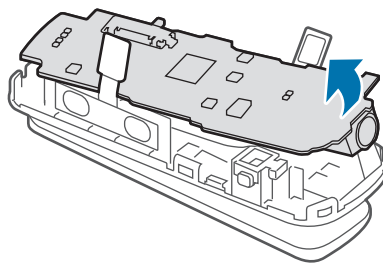
- Įstatydami įrankį būkite atsargūs, kad nesugadintumėte prietaiso vidinių dalių.

- 2 Nuėmę dangtelį padėkite jį atskirai.

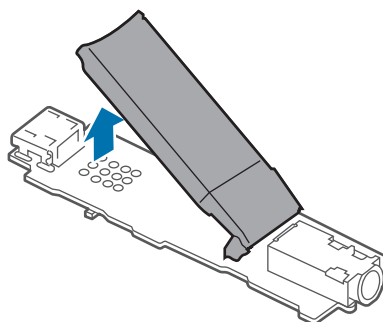
3 Atjunkite akumuliatoriaus jungtis.



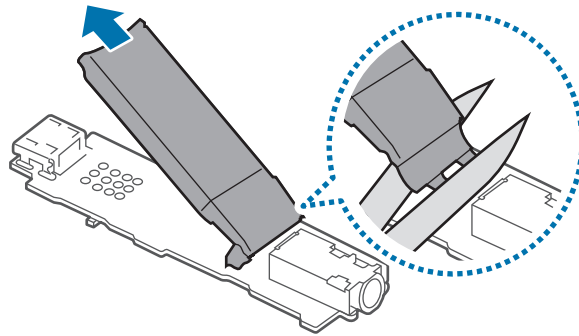
4 Atjungę plokštę nuo prietaiso korpuso išimkite ją ir padėkite viršutine puse žemyn ant plokščio paviršiaus.



5 Paspauskite įkrovimo jungtį žemyn ir traukite akumuliatorių aukštyn, kad atjungtumėte jį nuo plokštės.



6 Patraukite akumuliatorių nuo plokštės ir atjunkite jungtis, kaip parodyta paveikslėlyje.



7 Išimkite akumuliatorių.

Atitikties deklaracija

Gaminio duomenys

Šiam

Gaminiui : „Bluetooth“ saugumo raktas

Modelis (-iai) : EO-RG920



Deklaracija ir taikomi standartai

Šiuo dokumentu patvirtiname, kad anksčiau minėtas prietaisas atitinka svarbiausius direktyvos dėl radijo ryšio įrenginių ir telekomunikacijų galinių įrenginių teikimo į rinką (R&TTE) (1999/5/EB) reikalavimus, keliamus:

Sauga	EN 60950-1 : 2006 + A11 : 2009 + A1 : 2010 + A12 : 2011
SAR	EN 50566 : 2013 EN 62479 : 2010
EMS	EN 301 489-01 V1.9.2 (2011-09) EN 301 489-17 V2.2.1 (2012-09)
Radio	EN 300 328 V1.8.1 (2012-06)

Taip pat direktyvos (2011/65/ES) reikalavimus, dėl apribojimų naudoti kai kurias kenksmingas medžiagas elektros ir elektroninėje įrangoje, kai taikomas EN 50581:2012.

Atstovas ES šalims

Samsung Electronics Euro QA Lab.
Blackbushe Business Park
Saxony Way, Yateley, Hampshire
GU46 6GG, UK



2015.01.27

Stephen Colclough / ES atstovas

(išdavimo vieta ir data)

(įgalioto asmens vardas, pavardė ir parašas)

* Tai ne „Samsung“ techninės priežiūros centro adresas. Jei norite sužinoti „Samsung“ techninės priežiūros centro adresą ar telefono numerį, skaitykite garantinę kortelę arba kreipkitės į pardavėją, iš kurio pirkote gaminį.

Autoriaus teisės

© Autoriaus teisės „Samsung Electronics“, 2015

Šis vadovas saugomas pagal tarptautinius autoriaus teisių įstatymus.

Jokios šio vadovo dalies negalima perkurti, platinti, versti arba persiųsti bet kokia forma ir bet koku būdu: elektroniniu ar mechaniniu, įskaitant fotokopijavimą, įrašymą arba saugojimą bet kokuose informaciniuose puslapiuose ir gavimo sistemose be išankstinio „Samsung Electronics“ leidimo.

Prekių ženklai

- SAMSUNG ir SAMSUNG logotipas yra registruoti „Samsung Electronics“ prekės ženklai.
- „Bluetooth®“ yra pasaulinis „Bluetooth SIG, Inc.“ prekių ženklas.
- Visi kiti prekių ženklai ir autorių teisės priklauso jų savininkams.

Loe enne kasutamist

Seadme ohutu ja sihipärase kasutamise tagamiseks lugege palun see kasutusjuhend enne seadme kasutamist läbi.

- Kirjeldused tuginevad seadme vaikeseadetest.
- Pildid võivad välimuselt tegelikust tootest erineda. Sisu võib eelnevalt teavitamata muuta.

Juhendavad ikoonid



Hoiatus: olukorrad, mis võivad vigastada kasutajat või teisi isikuid



Ettevaatust: olukorrad, mis võivad kahjustada teie seadet või muud varustust



Märkus: märkused, kasutamise juhtnöörid või täiendav teave

Alustamine

Level Link teave

Level Link toetab vastuvõtmist ja saatmist. Vastuvõtmisrežiimis saate Level Linkiga ühendada kõrvaklapid ja kasutada seda Bluetooth peakomplektina Bluetooth-toega seadmetes, näiteks nutitelefonid või tahvelarvutid. Saatmisrežiimis saate kasutada seda dongelina arvutite, telerite, Bluetooth peakomplektide ja muudega ühendamisel.

Vastuvõtmisrežiimis saate kasutada järgnevaid omadusi:

- Rakenduse S Voice käivitamine
- Kõnedele vastamine ja nende lõpetamine
- Multimeediafailide juhtimine

Saatmisrežiimis saate ühendatud multimeediaseadmes taasesitada heli.

Pakendi sisu

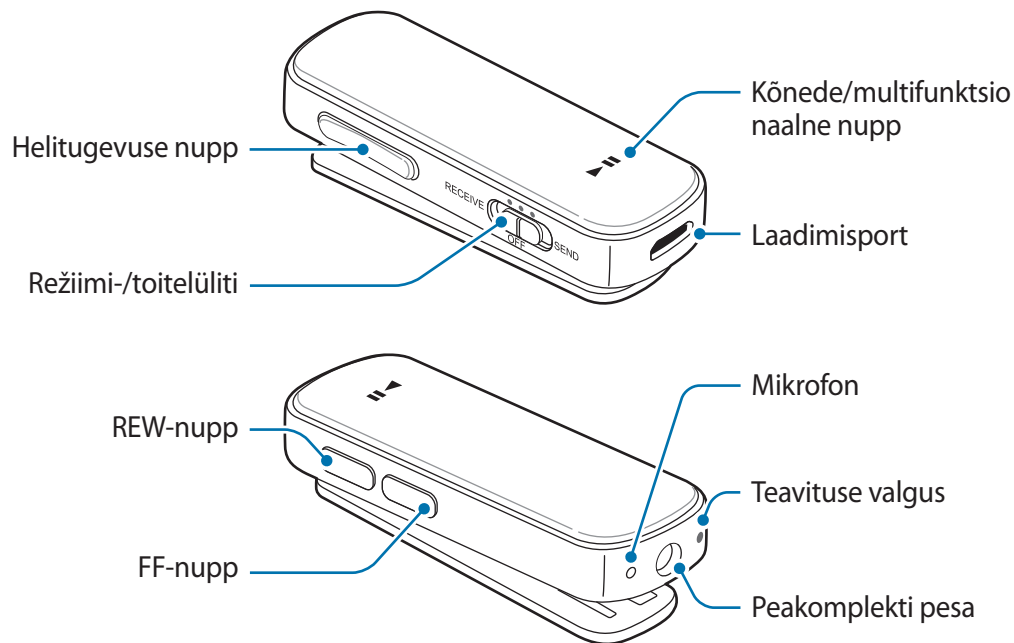
Kontrollige tootepakendist järgnevaid üksusi:

- Seade
- Kõrvaklapid
- USB kaabel
- Helikaabel
- Kiirjuhend



- Seadmega kaasas olevad üksused ja mistahes saadaval olevad lisatarvikud võivad regioonist või teenusepakkujast sõltuvalt erineda.
- Tootega tarnitud üksused on disainitud ainult teie seadme jaoks ning ei pruugi teiste seadmetega ühilduda.
- Spetsifikatsioone ja väljanägemist võib eelnevalt teavitamata muuta.
- Tarvikuid saate osta kohalikul Samsungi edasimüüjalt. Veenduge enne ostmist, et need ühilduksid teie Samsungi seadmega.
- Kasutage üksnes Samsungi poolt heakskiidetud tarvikuid. Heaks kiitmata tarvikute kasutamine võib tekitada garantii poolt katmata talitusprobleeme ja tõrkeid.
- Kõigi tarvikute saadaval olek võib muutuda, sõltudes täielikult tootjatest. Tarvikute kohta leiate lisateavet Samsungi veebilehelt.

Seadme osad



Nupud ja funktsioonid

Nimi	Funktsioon
Režiimi-/toitelüliti	<ul style="list-style-type: none"> • Libistage vastuvõtmisrežiimi aktiveerimiseks vasakule ja saatmisrežiimi aktiveerimiseks paremale. • Seadme väljalülitamiseks libistage toitelüliti asendisse OFF.
Kõnede/ multifunktsionaalne nupp	<ul style="list-style-type: none"> • Vajutage ja hoidke vastuvõtmisrežiimis 1 sekund, et käivitada rakendus S Voice. • Vastuvõtmisrežiimis vajutage, et vastata või lõpetada kõne. • Vastuvõtmisrežiimis vajutage ja hoidke all, et kõnest keelduda. • Vastuvõtmisrežiimis vajutage ja hoidke all, et suunata kõne Level Link seadmest enda teise seadmesse, või vastupidi. • Vastuvõtmisrežiimis vajutage, et esitada või peatada multimeediafaile. • Vastuvõtmisrežiimis või saatmisrežiimis vajutage ja hoidke all 3 sekundit, et siseneda Bluetoothi sidumise režiimi.
Helitugevuse nupp	<ul style="list-style-type: none"> • Vastuvõtmisrežiimis vajutage, et reguleerida kõne ajal helitugevust. • Vastuvõtmisrežiimis vajutage, et reguleerida multimeediafailide esitamise ajal helitugevust.
REW-nupp / FF-nupud	<ul style="list-style-type: none"> • Vastuvõtmisrežiimis vajutage, et esitada eelnevat või järgnevat multimeediafaili. • Vastuvõtmisrežiimis vajutage ja hoidke all, et multimeediafaili esitamise ajal tagasi või edasi kerida.

Olekuindikaatori

Olek	Värvus
Bluetoothi sidumise režiim	<ul style="list-style-type: none"> • Vilkuv punane, roheline ja sinine
Toide sees või aktiivsed režiimis	<ul style="list-style-type: none"> • Vilkuv sinine 3 korda
Toide välja	<ul style="list-style-type: none"> • Vilkuv punane 3 korda
Sissetulev kõne	<ul style="list-style-type: none"> • Vilkuv sinine

Aku laadimine

Laadige aku enne Level Link seadme esmakordset kasutamist või, kui Level Link seadet ei ole pikalt kasutatud.

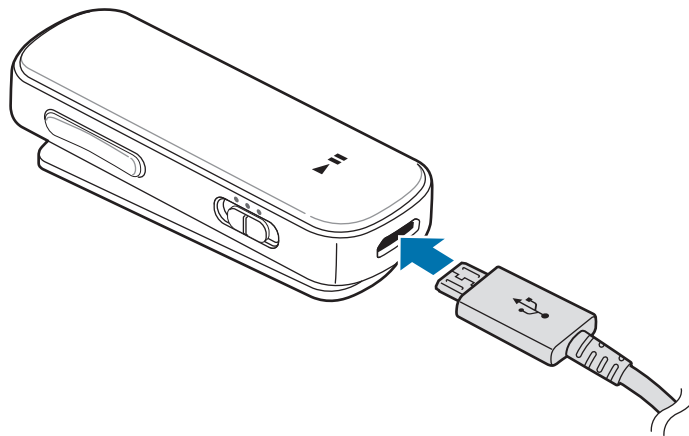


Kasutage ainult Samsungi poolt lubatud laadijaid, akusid ja kaableid. Teiste laadijate või kaablite kasutamine võib põhjustada aku plahvatuse või teie peakomplekti kahjustada.



Kui aku on täielikult tühjenenud, ei saa peakomplekti laadija ühendamisel kohe sisse lülitada. Võimaldage tühjenenud akul enne peakomplekti sisse lülitamise proovimist mõned minutid laadida.

Ühendage seade USB-kaabli abil arvuti või USB-toiteadapteriga.



Laadija valesti ühendamine võib põhjustada seadmele tõsiseid kahjustusi. Väärkasutusest tingitud kahjustusi garantii ei kata.



- Seadet saab laadimise ajal kasutada, kuid siis võib aku täitumine kauem aega võtta.
- Laadimise ajal võib seade kuumeneda. See on normaalne ega tohiks seadme kasutamisega või toimimist mõjutada. Kui aku kuumeneb tavapärasest rohkem, võib laadimine katkeda.
- Kui seade ei lae õigesti, tooge seade ja laadija Samsungi teeninduskeskusesse.

Peale aku täielikku laadimist eemaldage laadija seadmest. Kõigepealt ühendage laadija seadmest lahti ja seejärel elektrikontaktist.



Energia säästmiseks lülitage võtke laadija, kui te seda ei kasuta, pistikust välja. Laadijal ei ole toitelülitit, seega peate selle võtma kui te seda ei kasuta energia säästmiseks elektrikontaksits välja. Laadija peab laadimise ajal olema elektrikontakti läheduses ja lihtsalt ligipääsetav.

Aku taseme kontrollimine

Vajutage ja hoidke samaaegselt 1 sekundi jooksul helitugevuse suurendamise nuppu ja multifunktsionaalset nuppu. Sõltuvat laadimise olekust vilgub teavituse valgus kolm korda ja erinevates värvides.

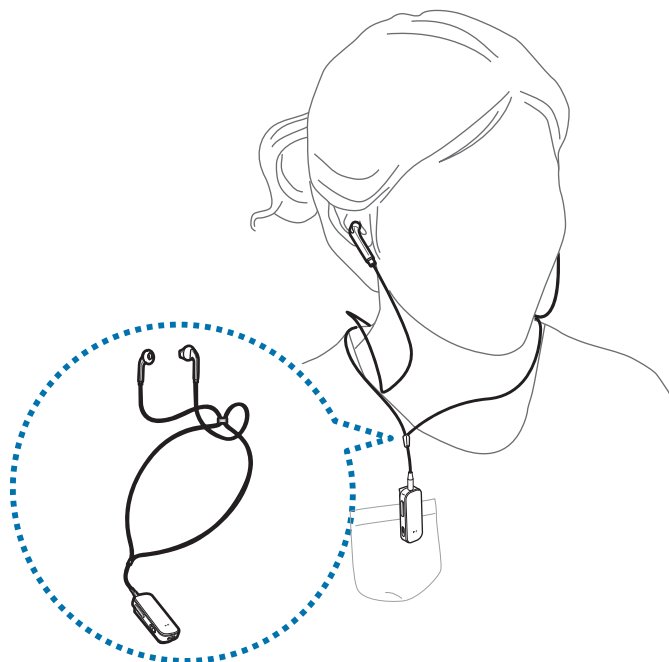
Olek	Värvus
Alla 30%	• Punane
30-60%	• Kollane
Rohkem kui 60%	• Roheline

Seadme ja kõrvaklappide kandmine

Ühendage komplekti kuuluvad kõrvaklapid Level Link seadmega ja kandke neid kaela ümber.

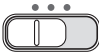
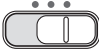

- 1 Ühendage kõrvaklapid Level Linki peakomplekti pesaga.
- 2 Reguleerige kõrvaklappide klambrit sedasi, et moodustuks silmus, millest pea läbi mahub.

- 3 Klammerdage Level Link seade enda riieetele.
- 4 Kandke kõrvaklappe ümber kaela ja lülitage need sisse.



Olge ettevaatlikud, kui kasutate seadet juhtmega kõrvaklappidega. Kui kõrvaklapid mähkuvad ümber teie kaela, võib tekkida lämbumisoht.

Seadme sisse- ja väljalülitamine

-  : vastuvõtmisrežiimi aktiveerimine.
-  : saatmisrežiimi aktiveerimine.
-  : seadme väljalülitamine.



Kui asute piirkonnas, kus traadita seadmete kasutamine on piiratud, nagu lennukid ja haiglad, järgige kõiki väljapandud hoiatusi ja juhiseid.

Seadme kasutamine

Bluetooth

Bluetoothi teave

Bluetooth on 2,4 GHz sagedusel töötav juhtmevaba tehnoloogia standard, mida kasutatakse seadmete ühendamiseks lühikesel vahemaal. Seda saab kasutada teiste Bluetooth toega seadmetega, näiteks mobiilsed seadmed, arvutid, printerid ja muud digitaalsed koduseadmed, kaabliteta ühendamiseks ja andmevahetuseks.

Bluetoothi kasutamise märkused

- Probleemide ennetamiseks seadmete omavahelisel ühendamisel asetage seadmed teineteisele lähestikku.
- Veenduge, et teie seade ja teine Bluetooth-seade on maksimaalses Bluetoothi ulatuses (10 m). Ulatus võib sõltuvalt seadmete kasutamise keskkonnast muutuda.
- Veenduge, et teie peakomplekti ja ühendatud vahel poleks takistusi, k.a. inimkehad, seinad, nurgad või aiad.
- Ärge puudutage ühendatud seadme Bluetoothi antenni.
- Bluetooth kasutab sama sagedust teatud tööstuslike, teaduslike, meditsiiniliste ja nõrkvoolutoodetega ning seda tüüpi seadmete läheduses ühenduse loomisel võib esineda häireid.
- Teatud seadmed, eriti sellised, mida pole testitud või Bluetooth SIG poolt heaks kiidetud, võivad teie peakomplektiga mitte ühilduda.
- Ärge kasutage Bluetooth funktsiooni ebaseaduslikel eesmärkidel (näiteks failide piraatkoopiade loomine või kaubanduslikul eesmärgil suhtluse ebaseaduslik pealtkuulamine).

Teiste seadmetega ühendamine



Helikvaliteet ja kasutatav vahemik Level Linki ja ühendatud audioseadmete vahel võib Bluetooth toega audioseadmetest sõltuvalt erineda.

Ühendamine vastuvõtmise režiimis

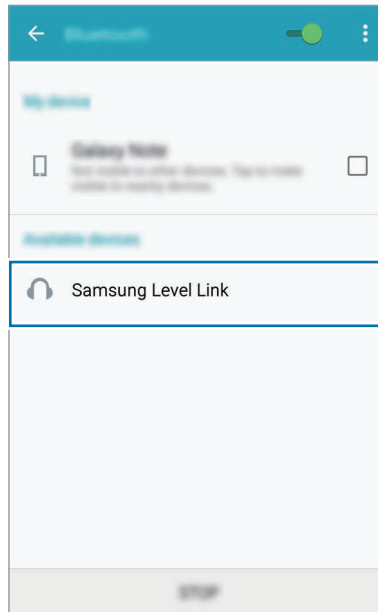
Kui teie Level Link on ühendatud Bluetooth toega seadmetega saate vastata kõnedele või kuulata muusikat. Level Linki esmakordsel sisselülitamisel siseneb see Bluetoothi sidumisrežiimi.



- Level Linki esmakordselt üle Bluetoothi teiste seadmetega sidudes, ühendub Level Link seotud seadmetega automaatselt. Kui Level Linki ühendus ei õnnestu, siseneb seade Bluetoothi sidumise režiimi.
- Level Link salvestab kuni kaheksa seadme andmed. Kui Level Linki on ühendatud enam, kui ühe seadmega, ühendub see automaatselt viimase ühendatud seadmega.

- 1 Level Link** Lükake režiimi lüliti vastuvõtmisrežiimi sisenemiseks vasakule.
- 2 Level Link** Vajutage ja hoidke multifunktsionaalset nuppu ligikaudu 3 sekundit, et käivitada Bluetoothiga sidumise režiim.
- 3 Teine seade** Aktiveerige Bluetooth ja otsige Bluetooth seadmeid.
Täpsema teabe saamiseks vaadake teise seadme kasutusjuhendit.

4 **Teine seade** Toksake loendis valikule **Samsung Level Link**.



5 **Level Link** Ühendage kuularid Level Linkiga.

Samuti võite ühendada Level Linki audiokaabli abil audioväljundseadme lisisisendpesaga.



Kui te selles režiimis ühendate Level Linki audiokaabli abil teleri või arvuti audioväljundpesaga, võib see teie Level Linki kahjustada.

Ühendamine saatmise režiimis

Ühendage oma seade audiokaabli abil multimeediamängijaga. Võite esitada multimeediafaile teise audioseadme kaudu, näiteks Bluetoothi peakomplekti abil. Level Linki esmakordsel sisselülitamisel siseneb see Bluetoothi sidumisrežiimi.



- Level Linki esmakordselt üle Bluetoothi teiste seadmetega sidudes, ühendub Level Link seotud seadmetega automaatselt. Kui Level Linki ühendus ei õnnestu, siseneb seade Bluetoothi sidumise režiimi.
- Level Link salvestab kuni kaheksa seadme andmed. Kui Level Linki on ühendatud enam, kui ühe seadmega, ühendub see automaatselt viimase ühendatud seadmega.

- 1 Level Link** Lükake režiimi lüliti saatmisrežiimi sisenemiseks paremale.
- 2 Level Link** Vajutage ja hoidke multifunktsionaalset nuppu ligikaudu 3 sekundit, et käivitada Bluetoothiga sidumise režiim.
- 3 Level Link** Asetage oma Level Link seotud audioseadmest 30 cm kaugusele.
Level Link ja audioseade on nüüd Bluetoothi kaudu ühendatud. Kui ühendus ebaõnnestub, lülitage audioseade välja ja uuesti sisse. Korrake seejärel eelpool toodud samme.
- 4** Ühendage audiokaabel Level Linki peakomplekti pesaga. Seejärel ühendage audiokaabli teine ots multimeediamängija audioväljundpesaga.



- Bluetooth funktsiooniga ühendamine võib ühendatud seadmetest sõltuvalt erineda. Lisateabe saamiseks vaadake ühendatud seadme kasutusjuhendit.
- Kui Level Link on ühendatud teleriga saatmisrežiimis, võivad tekkida sünkroniseerimisega seotud probleemid. Soovitatav on ühendada Level Link teleriga, mis toetab aptX Low Latency koodeksit.
- Kui kasutate Level Linki koos multimeedia pleieriga, vähendage selle helitugevust enne audiokaabli eemaldamist, et vältida äkilist valju heli.
- Sõltuvalt ühendatud multimeedia pleierist võite kuulda helitugevuse langust või müra. Selle vältimiseks reguleerige multimeedia pleieri helitugevust.

Lisaseadmete ühendamine

Vastuvõtmis- või saatmisrežiimis saab Level Linkiga ühendada Bluetoothi kaudu kuni kaks seadet.

1 Ühendage oma Level Link vastuvõtmis- või saatmisrežiimis esimese seadmega.

2 Ühendage Level Link Bluetoothi abil teise seadmega samuti, nagu esimesega.



- Kui Level Link ei ilmu vastuvõtmisrežiimis tuvastatud seadmete loendis, vajutage ja hoidke multifunktsionaalset nuppu 3 sekundit all, et käivitada Bluetoothiga sidumise režiim.
- Saaterežiimis toetab Level Link aptX-i väikese latentsusajaga koodekit, kui see on ühendatud üle heliseadmega. Kui Level Linkiga on samaaegselt ühendatud kaks heliseadet, siis aptX-i koodekit ei toetata ning video- ja heliväljund ei pruugi olla sünkroonis.
- Saatmisrežiimis võib Level Linki ja teiste seadmete vaheline kasutamise kaugus väheneda.

Teiste seadmete uuesti ühendamine või ühenduse katkestamine

Seadmete uuesti ühendamine

Kui seadmete kauguse tõttu Level Linki ja audioseadme vahel ühendus katkeb, viige seadmed üksteisele lähemale ja vajutage multifunktsionaalset nuppu, et need uuesti siduda. Samuti võite kasutada audioseadme Bluetoothi menüüd, et seadmed uuesti siduda.

Seadmete lahti ühendamine

Selleks, et Level Linki ja audiseadme vaheline ühendus lõpetada, lülitage oma seade välja või tühistage seadmete sidumine. Kui ühendasite kaks seadet audiokaabli abil, eemaldage audiokaabel mõlemast seadmest.

Vastuvõtmis- ja saatmisrežiimide kasutamine

Vastuvõtmisrežiimis saate käivitada S Voice rakenduse, vastata kõnedele või esitada multimeediafaile. Ühendage selles režiimis kõrvaklapid oma Level Linkiga või ühendage Level Link audioseadmetega audiokaabli abil.

Saatmisrežiimis saate ühendatud audioseadme kaudu multimeedia pleierist heli kuulata.



- Kasutatavad omadused võivad ühendatud seadmest sõltuvalt erineda. Mõningad omadused ei ole saadaval, kui Level Link on üheaegselt ühenduses kahe seadmega.
- Mõningad omadused on saadaval vaid juhul, kui Level Link ühendub seadmega üle käed-vaba profiili (HFP).
- Mikrofoni asukoht sõltub Level Linki kandmise viisist. Level Linki asukoht võib mõjutada kõnede kvaliteeti.

Rakenduse S Voice käivitamine

Vajutage 1 sekundi jooksul multifunktsionaalsele nupule. Kui ühendatud seadmel on S Voice tugi, saate rakendust kasutada Level Linki kaudu.

Kõnedele vastamine ja kõnedest keeldumine

Kõnele vastamine

Valutage ühendatud seadmele tulevatele kõnedele vastamiseks nupule Call.

Kõnest keeldumine

Valutage ühendatud seadmele tulevatele kõnedele vastamiseks nupule Call ja hoidke seda all.

Kõne ajal saadaolevate valikute kasutamine

Helitugevuse reguleerimine

Kõne ajal helitugevuse reguleerimiseks vajutage helitugevusnuppu.

Heliväljundi vahetamine

Valutage ühendatud seadmele tulevate kõnede üle kandmiseks Level Linkist seadmele Call nuppu ja hoidke seda all. See omadus ei pruugi olenevalt ühendatud seadmest saadaval olla.

Kõne lõpetamine

Kõne lõpetamiseks vajutage Call nuppu.

Multimeediafailide esitamine

Esitage multimeediafaile vastuvõtmis- või saatmisrežiimis. Kasutatavad omadused võivad aktiveeritud režiimist sõltuvalt erineda.

Multimeediafaili esitamine ja peatamine

Vajutage multifunktsionaalsele nupule, et esitada ühendatud seadmes värskeimat multimeediafaili.

Esituse peatamiseks vajutage multifunktsionaalset nuppu. Esituse jätkamiseks vajutage uuesti multifunktsionaalset nuppu.

Liikumine eelmise või järgmise multimeediafaili juurde

Vajutage REW-nuppu, et liikuda eelmise või FF-nuppu, et liikuda järgmise multimeediafaili juurde.

Multimeediafaili tagasi või edasi kerimine

Vajutage REW-nuppu, et kerida tagasi või FF-nuppu, et kerida edasi.

Helitugevuse reguleerimine

Helitugevuse reguleerimiseks vajutage helitugevuse nuppu.



- Kui Level Link on ühendatud kahe seadmega, saate esitada mõlema seadme multimeediafaile. Teiselt seadmelt multimeediafailide esitamiseks peate enne esimeselt seadmelt esitatava faili peatama.
- Ühest seadmest multimeediafaile esitades, saate endiselt vastata teise seadme kõnedele.
- Kui audiokaabli ja ühendatud audioseadme saatmisrežiimi väljundvõimsuse vahel on erinevus, võib Level Linki helitugevus kõikuda.

Andmete lähtestamine

Level Linki ühendamisel teiste Bluetooth seadmetega, salvestatakse ühendatud seadmetes Level Linki andmed, näiteks Bluetooth aadress ja seadme tüüp. Level Linki andmete kustutamiseks vajutage ja hoidke multifunktsionaalset nuppu 3 sekundit all, et käivitada Bluetoothiga sidumise režiim. Seejärel vajutage ja hoidke üheaegselt 3 sekundit REW, FF ja multifunktsionaalset nuppu.

Lisa

Tõrkeotsing

Palun katsetage enne Samsungi teeninduskeskusega ühenduse võtmist järgnevaid lahendusi. Kõik olukorrad ei tarvitse kohalduda teie seadmele.

Teie seade ei lülitu sisse

Kui aku on täielikult tühjenenud, ei lülitu teie seade sisse. Laadige aku enne seadme sisse lülitamist täielikult.

Aku ei lae korralikult (Samsungi heakskiidetud laadijate puhul)

- Veenduge, et laadija on korralikult ühendatud.
- Külastage Samsungi teeninduskeskust ning paluge aku asendada.

Teine Bluetooth seade ei leia teie seadet

- Veenduge, et teie seade on Bluetoothi sidumise režiimis.
- Lähtestage seade ja otsige Bluetooth-seadmeid.
- Veenduge, et teie seade ja teine Bluetooth-seade on maksimaalses Bluetoothi ulatuses (10 m).

Kui ülalpool toodud juhised ei aita, võtke ühendust Samsungi teeninduskeskusega.

Teist Bluetooth-seadet ei leita

- Veenduge, et seade, millega soovite ühendust luua, toetab Bluetoothi traadita funktsiooni.
- Vaanduge, et teie seade ja teine Bluetooth-seade on maksimaalses Bluetoothi ulatuses (10 m).

Bluetoothi ühendus katkeb tihti

- Kui seadmete vahel on takistus, võib toimimisulatus väheneda.
- Vaanduge, et teie seade ja teine Bluetooth-seade on maksimaalses Bluetoothi ulatuses (10 m).
- Seadme kasutamisel koos teiste Bluetooth-seadmetega, võivad ühendust mõjutada elektromagnetväljad. Kasutage seadet vähemate juhtmevabade seadmetega alal.

Te ei kuule teiste kõnet

- Reguleerige seadme helitugevust.
- Kui te ei kuule helisid oma seadmest täielikult helitugevusel, reguleerige helitugevust ühendatud seadmel.

Kõne ajal heli kajab

Reguleerige helitugevuse nuppu vajutades helitugevust või liikuge teise kohta.

Teised ei kuule teie kõnet

- Veenduge, et te ei blokeeri sisse ehitatud mikrofoni.
- Veenduge, et mikrofon asub teie suu lähedal.

Helikvaliteet on halb

- Juhtmevaba võrgu teenused võivad teenusepakkuja võrgu probleemide tõttu välja lülitatud olla. Veenduge, et seade ei asuks elektromagnetväljade mõjualas.
- Vaanduge, et teie seade ja teine Bluetooth-seade on maksimaalses Bluetoothi ulatuses (10 m).

Seade töötab kasutusjuhendis kirjeldatust erinevalt

- Kasutatavad omadused võivad ühendatud seadmest sõltuvalt erineda.
- Mõningad omadused ei ole kasutatavad kahe üheaegselt ühendatud seadme korral.

Aku tühjeneb kiiremini, kui pärast ostmist

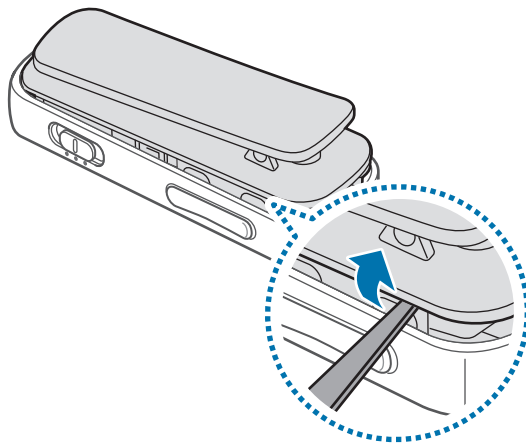
- Aku kokkupuutel väga külmade või kuumade temperatuuridega, võib aku kasulik eluiga väheneda.
- Aku on kulumaterjal ning kasulik eluiga väheneb aja jooksul.

Aku eemaldamine (mitte-eemaldatav tüüp)



- Need juhised on mõeldud ainult teie teenusepakkuja või volitatud remontija jaoks.
- Aku lubamatust eemaldamisest põhjustatud kahju või rikete parandamine ei ole garantiiga kaetud.
- Aku eemaldamiseks või asendamiseks võtke ühendust oma teenusepakkuja või volitatud remontijaga.

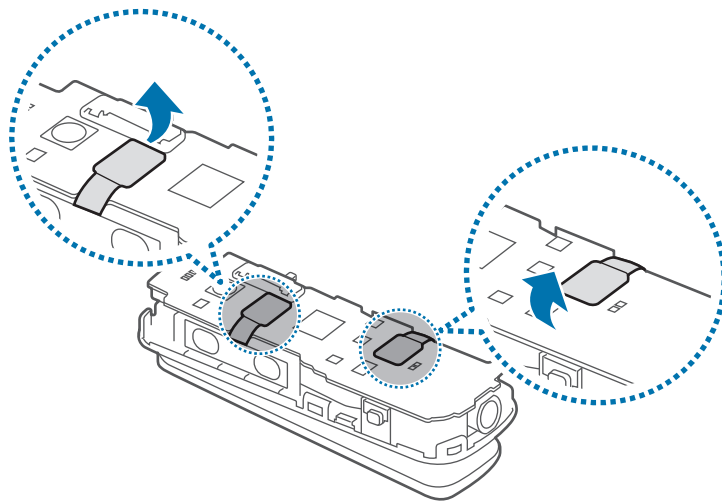
- 1 Sisestage kaane ja seadme kere vahele õhuke, lapik tööriist.
Kasutage tööriista seejärel vastavalt allpool toodud kujutisel näidatule nende eraldamiseks.



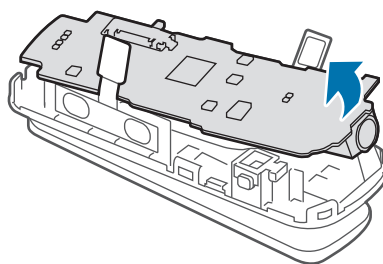
Jälgige, et te tööriista sisestades ei kahjustaks sisemisi komponente.

- 2 Asetage eemaldatud kaas kõrvale.

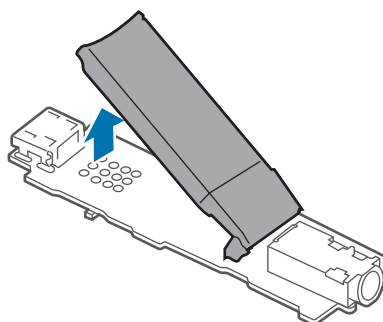
3 Ühendage akuklemmid lahti.



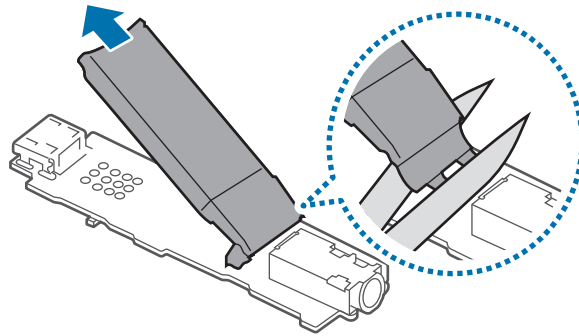
4 Eemaldage kiipidega plaat seadme korpusest ja asetage, esikülg allpool, lamedale pinnale.



5 Vajutage laadimispesale ning tõmmake akut selle eemaldamiseks ülespoole.



- 6 Tõmmake aku kiipidega plaadist eemale ja lõigake ühendused vastavalt allpool toodud kujutisele.



- 7 Eemaldage aku.

Vastavusdeklaratsioon

Tooteteave

Seoses järgnevaga

Toode : Bluetooth-tongel

Mudel(id) : EO-RG920



Deklaratsioon ja kohaldatavad standardid

Käesolevaga kinnitame, et see toode vastab R&TTE direktiivi (1999/5/EÜ) põhinõuetele ja standarditele järgnevas:

Ohutus	EN 60950-1 : 2006 + A11 : 2009 + A1 : 2010 + A12 : 2011
SAR	EN 50566 : 2013 EN 62479 : 2010
EMC	EN 301 489-01 V1.9.2 (2011-09) EN 301 489-17 V2.2.1 (2012-09)
Radiovõrk	EN 300 328 V1.8.1 (2012-06)

ning direktiivile (2011/65/EL) teatavate ohtlike ainete kasutamise piiramise kohta elektri- ja elektroonikaseadmetes, mida on täiendatud seadustega EN 50581/2012.

Esindaja EL-is

Samsung Electronics Euro QA Lab.
Blackbushe Business Park
Saxony Way, Yateley, Hampshire
GU46 6GG, UK

2015.01.27

(Väljaandmise koht ja kuupäev)



Stephen Colclough / EL-i volinik

(Volitatud isiku nimi ja allkiri)

* See ei ole Samsungi hoolduskeskuse aadress. Samsungi hoolduskeskuse aadressi või telefoninumbri saamiseks vaadake garantiikaarti või võtke ühendust jaemüüjaga, kelle käest te oma toote ostsite.

Copyright

Copyright © 2015 Samsung Electronics

Antud kasutusjuhend on kaitstud rahvusvaheliste autoriõigustega.

Kasutusjuhendi ühtki osa ei tohi ilma Samsung Electronicsi eelneva kirjaliku loata reprodutseerida, levitada, tõlkida või edastada mitte mingil kujul ega mingite vahendite abil, olgu need siis elektroonilised või mehaanilised, sealhulgas kopeerimine, salvestamine või talletamine mis tahes andmete salvestamise ja esitamise süsteemis.

Kaubamärgid

- SAMSUNG ja SAMSUNG logo on Samsung Electronics registreeritud kaubamärgid.
- Bluetooth® on Bluetooth SIG, Inc. rahvusvaheline registreeritud kaubamärk.
- Kõik muud kaubamärgid ja autoriõigused kuuluvad nende omanikele.

Lees dit eerst

Lees deze snelstartgids door zodat u verzekerd bent van veilig en correct gebruik voordat u het apparaat in gebruik neemt.

- Beschrijvingen zijn gebaseerd op de standaardinstellingen van het apparaat.
- Afbeeldingen kunnen er anders uitzien dan het daadwerkelijke product. De inhoud kan zonder voorafgaande kennisgeving worden gewijzigd.

Instructie pictogrammen



Waarschuwing: situaties die kunnen leiden tot letsel voor uzelf of anderen



Let op: situaties die kunnen leiden tot schade aan uw apparaat of andere apparatuur



Opmerking: opmerkingen, gebruikstips of aanvullende informatie

Aan de slag

Over de Level Link

De Level Link ondersteunt een verzendstand en ontvangststand. In de ontvangststand kunt u een oortelefoon verbinden met de Level Link en deze gebruiken als Bluetooth-headset voor apparaten waarop Bluetooth is ingeschakeld, zoals smartphones of tablets. In de verzendstand kunt u het apparaat gebruiken als dongle die verbinding maakt met computers, tv's, Bluetooth-headsets en meer.

In de ontvangststand kunt u de volgende functies gebruiken:

- S Voice openen
- Oproepen ontvangen of beëindigen
- Multimedia-bestanden bedienen

In de verzendstand kunt u geluid van het verbonden multimedia-apparaat afspelen.

Inhoud van de verpakking

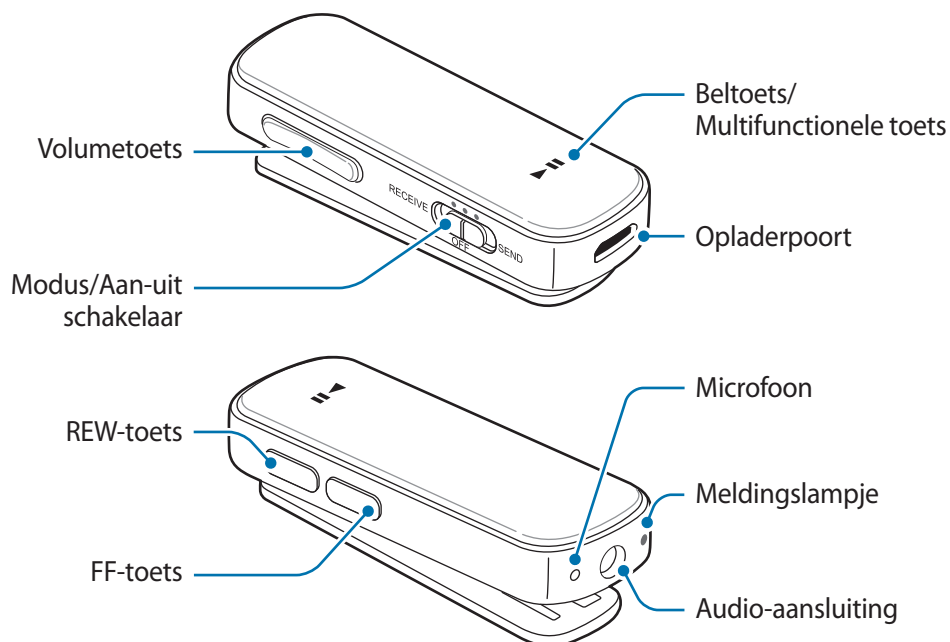
Controleer of de doos de volgende onderdelen bevat:

- Apparaat
- Oortelefoon
- USB-kabel
- Audiokabel
- Snelstartgids



- De bijgeleverde onderdelen bij uw apparaat en de beschikbare accessoires kunnen verschillen, afhankelijk van uw regio of serviceprovider.
- De bijgeleverde onderdelen zijn alleen bedoeld voor dit apparaat en zijn mogelijk niet compatibel met andere apparaten.
- Vormgeving en specificaties zijn onderhevig aan wijzigingen zonder voorafgaande kennisgeving.
- U kunt extra accessoires kopen bij uw lokale Samsung-verkoper. Controleer of ze compatibel zijn met het apparaat voordat u ze koopt.
- Gebruik alleen door Samsung goedgekeurde accessoires. Als u niet-goedgekeurde accessoires gebruikt, kunnen er prestatieproblemen en storingen optreden die niet onder de garantie vallen.
- De beschikbaarheid van alle accessoires is onderhevig aan wijzigingen die volledig afhankelijk zijn van de fabrikanten. Ga naar de website van Samsung voor meer informatie over de beschikbare accessoires.

Indeling van het apparaat



Toetsen en functies

Naam	Functie
Modus/Aan-uit schakelaar	<ul style="list-style-type: none"> • Schuif deze naar links om de ontvangststand te activeren en naar rechts om de verzendstand te activeren. • Schuif deze naar OFF om het apparaat uit te schakelen.
Beltoets/ Multifunctionele toets	<ul style="list-style-type: none"> • In de ontvangststand: houd deze toets 1 seconde ingedrukt om S Voice te openen. • In de ontvangststand: druk op deze toets om een oproep te beantwoorden of te beëindigen. • In de ontvangststand: houd deze toets ingedrukt om een oproep te weigeren. • In de ontvangststand: houd deze toets ingedrukt om oproepen door te schakelen van de Level Link naar uw andere apparaat of omgekeerd. • In de ontvangststand: druk op deze toets om multimediabestanden af te spelen of te stoppen. • In de ontvangststand of verzendstand: houd deze toets 3 seconden ingedrukt om de Bluetooth-koppelstand te activeren.
Volumetoets	<ul style="list-style-type: none"> • In de ontvangststand: druk op deze toets om het volume tijdens een oproep aan te passen. • In de ontvangststand: druk op deze toets om het volume tijdens het afspelen van multimediabestanden aan te passen.
REW-toets/FF-toets	<ul style="list-style-type: none"> • In de ontvangststand: druk tijdens het afspelen op deze toetsen om het vorige of volgende multimediabestand af te spelen. • In de ontvangststand: houd deze toetsen tijdens het afspelen ingedrukt om een multimediabestand terug te spoelen of snel vooruit te spoelen.

Statusaanduiding

Status	Kleur
Bluetooth-koppelstand	<ul style="list-style-type: none"> • Knippert rood, groen en blauw
Inschakelen of standen activeren	<ul style="list-style-type: none"> • Knippert 3 keer blauw
Uitschakelen	<ul style="list-style-type: none"> • Knippert 3 keer rood
Inkomende oproep	<ul style="list-style-type: none"> • Knippert blauw

De batterij opladen

Laad de batterij op voordat u de Level Link voor het eerst gebruikt of als u de Level Link langere tijd niet hebt gebruikt.

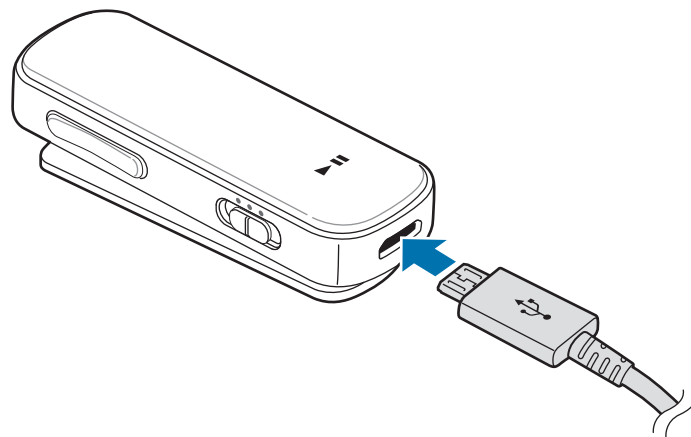


Gebruik alleen opladers, batterijen en kabels die zijn goedgekeurd door Samsung. Bij gebruik van niet-goedgekeurde opladers of kabels bestaat het risico dat de batterij ontploft of dat de headset schade oploopt.



Als de batterij helemaal leeg is, kan de headset niet onmiddellijk worden ingeschakeld wanneer de oplader wordt aangesloten. Laat een lege batterij enkele minuten opladen voordat u de headset inschakelt.

Sluit het apparaat met de USB-kabel aan op een computer of USB-voedingsadapter.



Als u de oplader verkeerd aansluit, kan dit ernstige schade aan het apparaat veroorzaken. Schade die wordt veroorzaakt door verkeerd gebruik, valt niet onder de garantie.



- Het apparaat kan worden gebruikt terwijl het wordt opgeladen, maar het kan dan langer duren om de batterij op te laden.
- Tijdens het opladen kan het apparaat warm worden. Dit is normaal en is niet van invloed op de levensduur of prestaties van het apparaat. Als de batterij warmer dan normaal wordt, kan de oplader ophouden met opladen.
- Als het apparaat niet correct wordt opgeladen, brengt u het apparaat en de oplader naar een Samsung-servicecenter.

Als de batterij volledig is opgeladen, koppelt u het apparaat los van de oplader. Koppel de oplader eerst los van het apparaat en vervolgens van het stopcontact.



Om stroom te besparen moet u de oplader loskoppelen wanneer u deze niet gebruikt. De oplader beschikt niet over een aan/uit-schakelaar. U moet daarom de oplader loskoppelen van het stopcontact wanneer u deze niet gebruikt, om te voorkomen dat u energie verspilt. De oplader moet in de buurt van het stopcontact blijven tijdens het opladen en moet eenvoudig te bereiken zijn.

Batterijniveau controleren

Houd de toets voor volume omhoog en de multifunctionele toets tegelijkertijd 1 seconde ingedrukt. Het meldingslampje knippert drie keer in verschillende kleuren afhankelijk van de oplaadstatus.

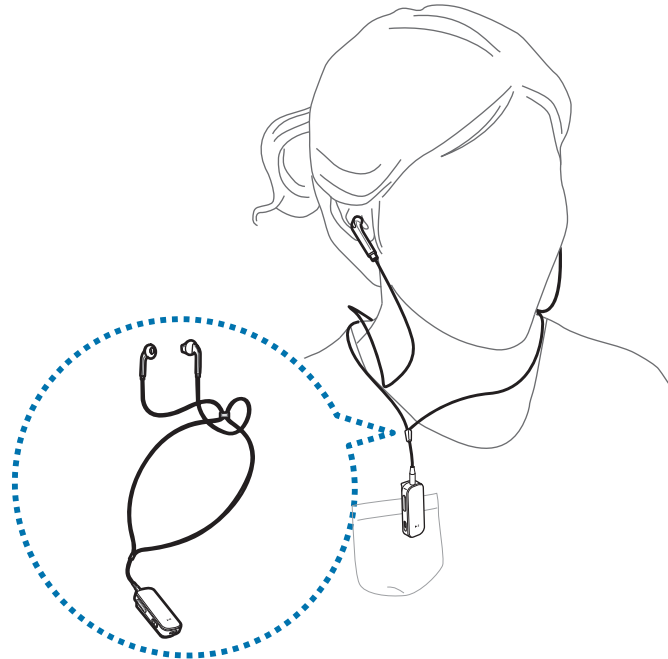
Status	Kleur
Minder dan 30%	• Rood
30 - 60%	• Geel
Meer dan 60%	• Groen

Het apparaat en de oortelefoon dragen

Sluit de bijgeleverde oortelefoon aan op de Level Link en draag deze om uw nek.

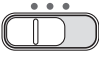
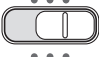

- 1 Sluit de oortelefoon aan op de audio-aansluiting van de Level Link.
- 2 Pas de oortelefoonclip aan zodat er een lus wordt gevormd die groot genoeg is om uw hoofd erdoor te steken.

- 3 Bevestig de Level Link met de clip aan uw kleding.
- 4 Draag de oortelefoon om uw nek en steek de oordopjes in uw oren.



Wees voorzichtig bij gebruik van dit apparaat met bedrade koptelefoons. U kunt stikken als de oortelefoon verstrikt raakt om uw nek.

Het apparaat in- of uitschakelen

-  : ontvangststand inschakelen.
-  : verzendstand inschakelen.
-  : het apparaat uitschakelen.



Volg alle weergegeven waarschuwingen en aanwijzingen van bevoegd personeel op locaties waar het gebruik van draadloze apparaten is beperkt, zoals in vliegtuigen en ziekenhuizen.

Het apparaat gebruiken

Bluetooth

Over Bluetooth

Bluetooth is een standaard voor draadloze technologie waarbij een frequentie van 2,4 GHz wordt gebruikt om over een korte afstand verbinding te maken tussen verschillende apparaten. Er kan zonder kabels verbinding worden gemaakt met andere apparaten waarop Bluetooth is ingeschakeld, zoals mobiele apparaten, computers, printers en andere digitale consumenten, om gegevens uit te wisselen.

Kennisgevingen voor het gebruik van Bluetooth

- Om problemen te voorkomen wanneer u uw apparaat verbindt met een ander apparaat, plaatst u de apparaten dicht bij elkaar.
- Zorg ervoor dat uw apparaat en het andere Bluetooth-apparaat zich binnen het Bluetooth-verbinding bereik bevinden (10 m). De afstand kan variëren, afhankelijk van de omgeving waarin de apparaten worden gebruikt.
- Zorg ervoor dat er geen obstakels zijn tussen de headset en een verbonden apparaat, waaronder menselijke lichamen, muren, hoeken of hekken.
- Raak de Bluetooth-antenne van een verbonden apparaat niet aan.
- Bluetooth gebruikt dezelfde frequentie als bepaalde industriële, wetenschappelijk, medische en producten met laag stroomverbruik, en er kan storing optreden wanneer er verbindingen worden gemaakt in de buurt van dit soort producten.
- Sommige apparaten, vooral apparaten die niet door Bluetooth SIG zijn getest of goedgekeurd, zijn mogelijk niet compatibel met de headset.
- Gebruik de Bluetooth-functie niet voor illegale doeleinden (bijvoorbeeld voor het maken van illegale kopieën van bestanden of voor het afluisteren van communicatie voor commerciële doeleinden).

Verbinding maken met andere apparaten



De geluidskwaliteit en het gebruiksbereik tussen de Level Link en verbonden audioapparaten kunnen variëren, afhankelijk van de audioapparaten waarop Bluetooth is ingeschakeld.

Verbinden in ontvangststand

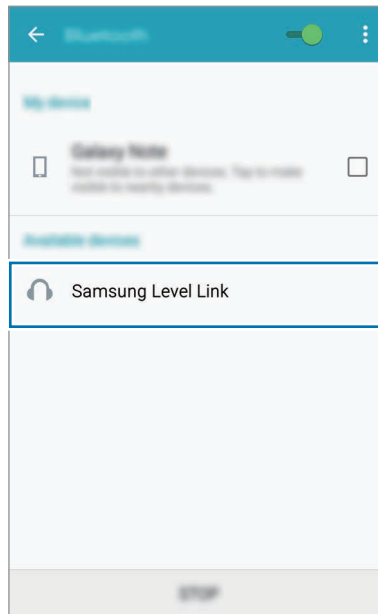
U kunt inkomende oproepen ontvangen of luisteren naar muziek wanneer uw Level Link is verbonden met apparaten waarop Bluetooth is ingeschakeld. Wanneer u de Level Link voor het eerst inschakelt, wordt de koppelstand voor Bluetooth geactiveerd.



- Wanneer u de Level Link voor het eerst via Bluetooth koppelt met andere apparaten, maakt de Level Link automatisch verbinding met de gekoppelde apparaten. Als de Level Link geen verbinding kan maken, wordt de Bluetooth-koppelstand geactiveerd.
- De Level Link kan apparaatgegevens opslaan voor maximaal acht apparaten. Als de Level Link met meerdere apparaten verbinding heeft gemaakt, wordt er verbinding gemaakt met het laatst gekoppelde apparaat.

- 1 Level Link** Schuif de modusschakelaar naar links om de ontvangststand te activeren.
- 2 Level Link** Houd de multifunctionele toets ongeveer 3 seconden ingedrukt om de Bluetooth-koppelstand te activeren.
- 3 Ander apparaat** Activeer de Bluetooth-functie en zoek naar Bluetooth-apparaten.
Lees de gebruiksaanwijzing van het andere apparaat voor meer informatie.

4 **Ander apparaat** Tik op **Samsung Level Link** in de lijst.



5 **Level Link** Sluit de oortelefoon aan op de Level Link.

Of sluit de Level Link via een audiokabel aan op de AUX-ingang van een audio-uitvoerapparaat.



Als u in deze stand de Level Link via een audiokabel aansluit op de audio-uitgang van een TV of computer, kan de Level Link worden beschadigd.

Verbinden in verzendstand

Sluit uw apparaat via de audiokabel aan op een multimediaspeler. U kunt naar multimediabestanden luisteren via een ander audioapparaat, zoals een Bluetooth-headset. Wanneer u de Level Link voor het eerst inschakelt, wordt de koppelstand voor Bluetooth geactiveerd.



- Wanneer u de Level Link voor het eerst via Bluetooth koppelt met andere apparaten, maakt de Level Link automatisch verbinding met de gekoppelde apparaten. Als de Level Link geen verbinding kan maken, wordt de Bluetooth-koppelstand geactiveerd.
- De Level Link kan apparaatgegevens opslaan voor maximaal acht apparaten. Als de Level Link met meerdere apparaten verbinding heeft gemaakt, wordt er verbinding gemaakt met het laatst gekoppelde apparaat.

- 1 Level Link** Schuif de modusschakelaar naar rechts om de verzendstand te activeren.
- 2 Level Link** Houd de multifunctionele toets ongeveer 3 seconden ingedrukt om de Bluetooth-koppelstand te activeren.
- 3 Level Link** Plaats de Level Link binnen 30 cm van het gekoppelde audioapparaat.
De Level Link en het audioapparaat zijn nu gekoppeld via Bluetooth. Als de verbinding mislukt, schakelt u het audioapparaat uit en weer in. Herhaal de bovenstaande stappen.
- 4** Sluit de audiokabel aan op de audio-aansluiting van de Level Link. Sluit vervolgens het andere uiteinde van de audiokabel aan op de audio-uitgang van de multimediaspeler.



- De methode voor verbinden via Bluetooth kan verschillen, afhankelijk van de aangesloten apparaten. Raadpleeg de gebruiksaanwijzing van het aangesloten apparaat voor meer informatie.
- Wanneer de Level Link met een tv is verbonden in de zendmodus, kunnen zich synchronisatieproblemen voordoen. Het wordt aanbevolen de Level Link met een tv te verbinden die voorzien is van aptX Low Latency codec.
- Wanneer u de Level Link gebruikt met een multimediaspeler, zet u het volume van de multimediaspeler lager voordat u de audiokabel verwijdert om plotselinge, luide geluiden te vermijden.
- Het volume kan zachter worden of er kan ruis optreden, afhankelijk van het volume van de verbonden multimediaspeler. Om dit te voorkomen, past u het geluid van de multimediaspeler dienovereenkomstig aan.

Extra apparaten verbinden

In de ontvangststand of verzendstand kan uw Level Link met maximaal twee apparaten tegelijk verbinding maken via Bluetooth.

- 1 Verbind in de ontvangststand of verzendstand uw Level Link met het eerste apparaat.
- 2 Verbind de Level Link via Bluetooth met een tweede apparaat en gebruik hierbij de verbindingsmethode die u hebt gebruikt voor het eerste apparaat.



- Als de Level Link in de ontvangststand niet wordt weergegeven in de lijst met gedetecteerde apparaten, houdt u de multifunctionele toets ongeveer 3 seconden ingedrukt om de Bluetooth-koppelstand te activeren.
- In de verzendstand biedt de Level Link ondersteuning voor de aptX Low-Latency-codec wanneer deze is verbonden met één audioapparaat. Als er tegelijkertijd twee audioapparaten zijn verbonden met de Level Link, wordt de aptX-codec niet ondersteund en wordt de video- en audio-uitvoer mogelijk niet gesynchroniseerd.
- In de verzendstand kan het gebruiksbereik tussen de Level Link en andere apparaten kleiner zijn.

Andere apparaten aansluiten of loskoppelen

De apparaten opnieuw verbinden

Wanneer uw Level Link geen verbinding heeft met het andere audioapparaat door de afstand tussen de apparaten, brengt u de twee apparaten dichterbij elkaar en drukt u op de Multifunctionele toets om deze opnieuw te koppelen. U kunt ook het Bluetooth-menu op het audioapparaat gebruiken om de apparaten te koppelen.

De verbinding tussen de apparaten verbreken

Om de verbinding van de Level Link met het audioapparaat te verbreken, schakelt u uw apparaat uit of verbreekt u de koppeling tussen de apparaten. Als u de twee apparaten met behulp van een audiokabel hebt verbonden, verwijdert u de kabel uit beide apparaten.

De ontvangst- en verzendstanden gebruiken

In de ontvangststand kunt u S Voice openen, inkomende oproepen aannemen of multimediate bestanden afspelen. Gebruik in deze stand uw Level Link met een oortelefoon of sluit de Level Link via een audiokabel aan op een audioapparaat.

In de verzendstand kunt u luisteren naar audio van de multimediaspeler via het verbonden audioapparaat.



- De beschikbare functies kunnen verschillen afhankelijk van het apparaat waarmee u verbinding maakt. Sommige functies zijn mogelijk niet beschikbaar als de Level Link tegelijkertijd is verbonden met twee apparaten.
- Sommige functies zijn alleen beschikbaar als de Level Link via het Hands-Free Profile (HFP) verbinding maakt met een apparaat.
- De beste locatie van de microfoon is afhankelijk van hoe u de Level Link draagt. De positie van de Level Link kan ook van invloed zijn op de geluidskwaliteit tijdens oproepen.

S Voice openen

Druk 1 seconde op de multifunctionele toets. Als het verbonden apparaat S Voice ondersteunt, kunt u de app gebruiken via de Level Link.

oproepen aannemen en weigeren

Een oproep beantwoorden

Druk op de beltoets om oproepen aan te nemen die worden ontvangen op het verbonden apparaat.

Een oproep weigeren

Houd de beltoets ingedrukt om oproepen te weigeren die worden ontvangen op het verbonden apparaat.

Opties gebruiken tijdens een oproep

Het volume regelen

Druk tijdens de oproep op de Volumetoets om het volume aan te passen.

Geluidsuitvoer wijzigen

Houd de beltoets ingedrukt om oproepen door te schakelen van de Level Link naar het verbonden apparaat. Deze functie is mogelijk niet beschikbaar afhankelijk van het verbonden apparaat.

Een oproep beëindigen

Druk op de beltoets om een oproep te beëindigen.

Multimedia-bestanden afspelen

U kunt multimediabestanden afspelen in de ontvangst- of verzendstand. De beschikbare functies kunnen verschillen afhankelijk van de stand die wordt gebruikt.

Een multimediabestand afspelen en stoppen

Druk op de multifunctionele toets om het meest recente multimediabestand op het verbonden apparaat af te spelen.

Druk op de multifunctionele toets om het afspelen te onderbreken. Als u het afspelen wilt hervatten, drukt u nogmaals op de multifunctionele toets.

Naar het vorige of volgende multimediabestand springen

Druk op de REW-toets of de FF-toets om naar het vorige of volgende bestand te springen tijdens het afspelen.

Het multimediatestbestand terugspoelen of snel vooruitspoelen

Houd de REW-toets of de FF-toets ingedrukt om het bestand terug te spoelen of snel vooruit te spoelen tijdens het afspelen.

Het volume regelen

Druk op de volumetoets om het volume aan te passen.



- Wanneer de Level Link is verbonden met twee apparaten, kunt u multimediatestbestanden van beide apparaten afspelen. Als u een multimediatestbestand van een ander apparaat wilt afspelen, moet u eerst het afspelen onderbreken op het huidige apparaat.
- Als u een multimediatestbestand op het ene apparaat afspeelt, kunt u nog steeds oproepen aannemen die worden ontvangen op het andere apparaat.
- Als er verschillen zijn in het uitvoervermogen van de audiokabel en het verbonden audioapparaat in de verzendstand, kan het geluidsvolume op de Level Link verschillen.

De standaardgegevens herstellen

Wanneer uw Level Link via Bluetooth is verbonden met een apparaat, wordt de informatie van de Level Link, zoals het Bluetooth-adres en apparaattype, opgeslagen op het verbonden apparaat. Als u de verbindinginformatie van de Level Link wilt verwijderen, houdt u de multifunctionele toets ongeveer 3 seconden ingedrukt om de Bluetooth-koppelstand te activeren. Houd vervolgens de REW-, FF- en multifunctionele toets 3 seconden tegelijkertijd ingedrukt.

Bijlage

Problemen oplossen

Voordat u contact opneemt met een Samsung-servicecenter, probeert u de volgende oplossingen. Sommige situaties zijn mogelijk niet van toepassing op uw apparaat.

Uw apparaat wordt niet ingeschakeld

Als de batterij helemaal leeg is, wordt uw apparaat niet ingeschakeld. Laad de batterij volledig op voordat u het apparaat inschakelt.

De batterij wordt niet correct opgeladen (voor door Samsung goedgekeurde opladers)

- Controleer of de oplader correct is aangesloten.
- Ga naar een Samsung-servicecenter en laat de batterij vervangen.

Een ander Bluetooth-apparaat kan uw apparaat niet vinden

- Zorg ervoor dat de Bluetooth-koppelstand is geactiveerd op uw apparaat.
- Stel het apparaat opnieuw in en zoek naar Bluetooth-apparaten.
- Zorg ervoor dat uw apparaat en het andere Bluetooth-apparaat zich binnen het Bluetooth-verbinding bereik bevinden (10 m).

Als de bovenstaande tips het probleem niet verhelpen, neemt u contact op met een Samsung-servicecenter.

Een ander Bluetooth-apparaat kan niet worden gevonden

- Controleer of het apparaat dat u wilt verbinden, de draadloze Bluetooth-functie ondersteunt.
- Zorg ervoor dat uw apparaat en het andere Bluetooth-apparaat zich binnen het maximale Bluetooth-bereik bevinden (10 m).

De Bluetooth-verbinding wordt vaak verbroken

- Als er voorwerpen tussen de apparaten staan, is het mogelijk dat de afstand waarop de apparaten kunnen communiceren, afneemt.
- Zorg ervoor dat uw apparaat en het andere Bluetooth-apparaat zich binnen het maximale Bluetooth-bereik bevinden (10 m).
- Wanneer u het apparaat gebruikt met andere Bluetooth-apparaten, kan de verbinding worden beïnvloed door elektromagnetische golven. Gebruik het apparaat in een omgeving met minder draadloze apparaten.

U kunt anderen niet horen praten

- Pas het apparaatvolume aan.
- Pas het volume aan op het aangesloten apparaat wanneer u geen geluiden hoort op uw apparaat als het volume zo hard mogelijk staat.

Het geluid echoot tijdens een oproep

Pas het volume aan door op de volumetoets te drukken of ga naar een andere locatie.

Anderen kunnen u niet horen praten tijdens een oproep

- Zorg ervoor dat u de ingebouwde microfoon niet afdekt.
- Zorg ervoor dat de microfoon zich dicht in de buurt van uw mond bevindt.

De audiokwaliteit is slecht

- Draadloze netwerkservices kunnen worden uitgeschakeld wegens problemen met het netwerk van de serviceprovider. Houd het apparaat uit de buurt van elektromagnetische golven.
- Zorg ervoor dat uw apparaat en het andere Bluetooth-apparaat zich binnen het maximale Bluetooth-bereik bevinden (10 m).

Het apparaat werkt anders dan beschreven in de gebruiksaanwijzing

- De beschikbare functies kunnen verschillen afhankelijk van het verbonden apparaat.
- Sommige functies kunnen niet worden gebruikt wanneer er twee apparaten tegelijk zijn verbonden met het apparaat.

De batterij loopt sneller leeg dan net na aankoop

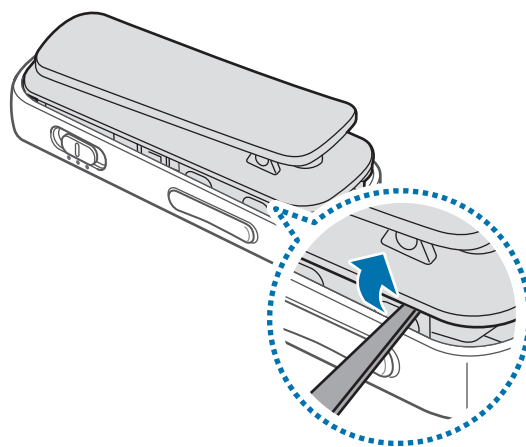
- Wanneer u het apparaat of de batterij blootstelt aan zeer koude of zeer warme temperaturen, kan de bruikbare lading afnemen.
- De batterij is een verbruiksartikel en de bruikbare lading neemt op den duur af.

De batterij verwijderen (niet-verwisselbaar type)



- Deze instructies gelden alleen voor uw serviceprovider of een geautoriseerde reparateur.
- Schade of defecten veroorzaakt door het niet-geautoriseerd verwijderen van de batterij worden niet gedekt door de garantie.
- Als u de batterij wilt verwijderen of vervangen, neemt u contact op met uw serviceprovider of een geautoriseerde reparateur.

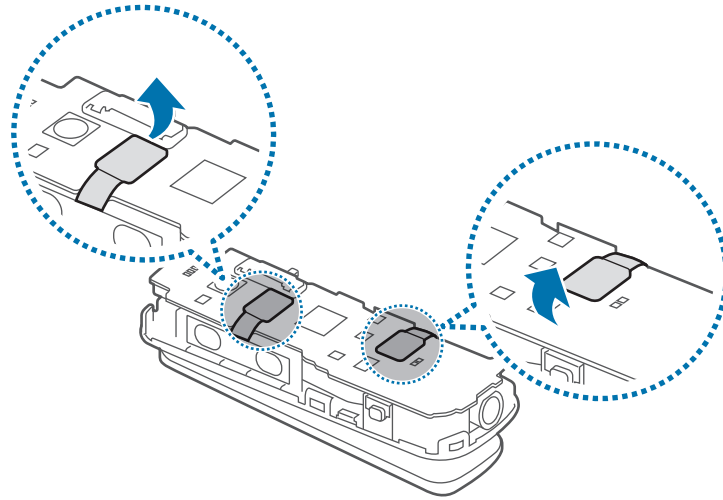
- 1 Steek een dun, plat voorwerp in de opening tussen de klep en behuizing van het apparaat. Gebruik het voorwerp vervolgens om ze uit elkaar te halen, zoals weergegeven in de onderstaande afbeelding.



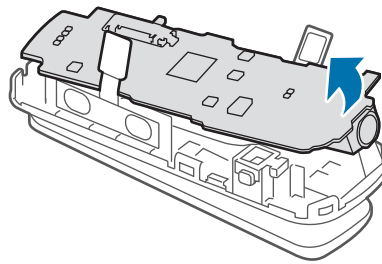
- Wees voorzichtig wanneer u het voorwerp gebruikt om te voorkomen dat u de interne onderdelen van het apparaat beschadigt.

- 2 Als de klep is verwijderd, legt u deze aan de kant.

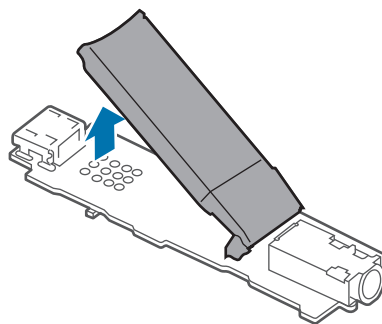
3 Koppel de batterijaansluitingen los.



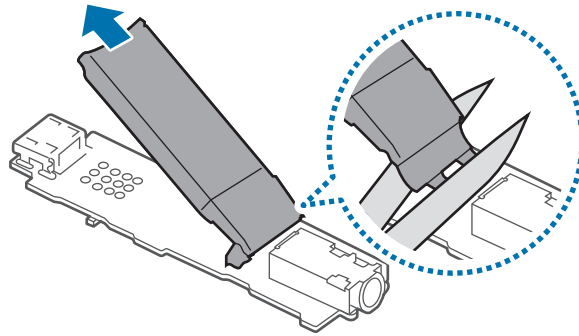
4 Verwijder de printplaat door deze los te maken van de behuizing van het apparaat en plaats deze omgekeerd op een vlakke ondergrond.



5 Druk op de oplaadpoort en trek de batterij omhoog om deze los te maken van de printplaat.



- 6 Trek de batterij van de printplaat en knip de aansluitingen door zoals weergegeven in de onderstaande afbeelding.



- 7 Verwijder de batterij.

Verklaring van overeenstemming

Productgegevens

Voor het volgende

Product : Bluetooth-dongle

Model(len) : EO-RG920



Verklaring en toepasselijke normen

Wij verklaren hierbij dat het bovenstaande product voldoet aan de essentiële bepalingen van de R&TTE-richtlijn (1999/5/EG) door toepassing van:

VEILIGHEID	EN 60950-1 : 2006 + A11 : 2009 + A1 : 2010 + A12 : 2011
SAR	EN 50566 : 2013 EN 62479 : 2010
EMC	EN 301 489-01 V1.9.2 (2011-09) EN 301 489-17 V2.2.1 (2012-09)
RADIO	EN 300 328 V1.8.1 (2012-06)

en de richtlijn (2011/65/EU) betreffende beperking van het gebruik van bepaalde gevaarlijke stoffen in elektrische en elektronische apparatuur door toepassing van EN 50581:2012.

In de EU vertegenwoordigd door

Samsung Electronics Euro QA Lab.
Blackbushe Business Park
Saxony Way, Yateley, Hampshire
GU46 6GG, UK



2015.01.27

Stephen Colclough / EU-vertegenwoordiger

(Plaats en datum van uitgifte)

(Naam en handtekening van bevoegde persoon)

* Dit is niet het adres van het Samsung Servicecenter. Voor het adres of telefoonnummer van het Samsung Servicecenter raadpleegt u de garantiekaart of neemt u contact op met de winkel waar u het product hebt gekocht.

Drukfouten voorbehouden.

Copyright

Copyright © 2015 Samsung Electronics

Deze gebruiksaanwijzing is beschermd onder internationale auteursrechtwetten.

Geen enkel onderdeel van deze gebruiksaanwijzing mag worden gereproduceerd, gedistribueerd, vertaald of verzonden in welke vorm dan ook of op welke elektronische of mechanische wijze dan ook, inclusief door deze te fotokopiëren, op te nemen of op te slaan in een systeem voor het opslaan en ophalen van informatie, zonder voorafgaande schriftelijke toestemming van Samsung Electronics.

Handelsmerken

- SAMSUNG en het SAMSUNG-logo zijn gedeponeerde handelsmerken van Samsung Electronics.
- Bluetooth® is wereldwijd een gedeponeerd handelsmerk van Bluetooth SIG, Inc.
- Alle overige handelsmerken en auteursrechten zijn het eigendom van de betreffende eigenaren.

Läs den här handboken först

Läs handboken noggrant innan du använder enheten så att du använder den på ett säkert och riktigt sätt.

- Beskrivningarna är baserade på enhetens standardinställningar.
- Bilder kan skilja sig från den verkliga produkten. Innehållet kan komma att ändras utan föregående meddelande.

Instruktionsikoner



Varning: Situationer som kan leda till att du skadar dig eller att andra skadar sig



Var försiktig: Situationer som kan leda till skador på enheten eller annan utrustning



Observera: Kommentarer, användningstips eller tilläggsinformation

Komma igång

Om Level Link

Level Link stöder mottagningsläge och sändningsläge. I mottagningsläget kan du ansluta hörlurar till din Level Link och använda den som ett Bluetooth-headset för Bluetooth-aktiverade enheter, t.ex. smarttelefoner och surfplattor. I sändningsläget kan du använda enheten som en hårdvarunyckel som ansluter till datorer, TV-apparater, Bluetooth-headset med mera.

I mottagningsläget kan du använda följande funktioner:

- Starta S Voice.
- Ta emot och avsluta samtal.
- Kontrollera multimediefiler.

I sändningsläget kan du spela upp ljud från den anslutna multimedieenheten.

Förpackningens innehåll

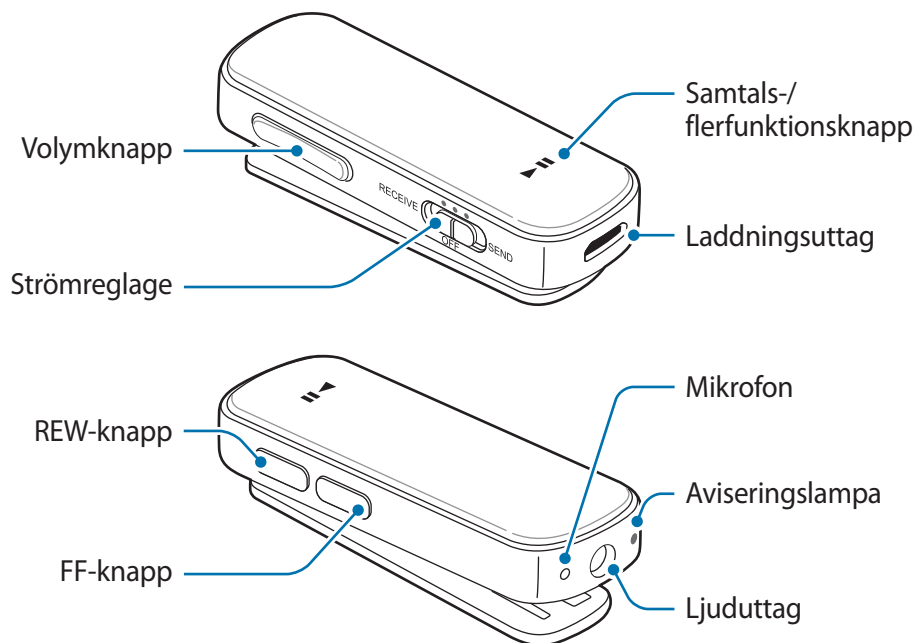
Kontrollera att produktförpackningen innehåller följande föremål:

- Enhet.
- Hörlurar.
- USB-kabel.
- Ljudkabel.
- Snabbstartsguide.



- Vilka produkter som medföljer enheten och tillgängliga tillbehör kan variera beroende på region eller tjänsteleverantör.
- De medföljande produkterna är endast utformade för den här enheten och är kanske inte kompatibla med andra enheter.
- Utseendet och specifikationerna kan komma att ändras utan föregående meddelande.
- Du kan köpa ytterligare tillbehör från din lokala Samsung-återförsäljare. Kontrollera att de är kompatibla med enheten före köpet.
- Använd endast tillbehör som är godkända av Samsung. Om du använder tillbehör som inte är godkända kan det leda till prestandaproblem och fel som inte täcks av garantin.
- Tillbehörens tillgänglighet är helt beroende av tillverkarna och kan komma att ändras. Mer information om tillgängliga tillbehör hittar du på Samsungs webbplats.

Enhetslayout



Knappar och funktioner

Namn	Funktion
Strömreglage	<ul style="list-style-type: none"> • För åt vänster för att aktivera mottagningsläget och för åt höger för att aktivera sändningsläget. • För till OFF för att stänga av enheten.
Samtals-/ flerfunktionsknapp	<ul style="list-style-type: none"> • I mottagningsläget håller du nedtryckt i 1 sekund för att starta S Voice. • I mottagningsläget trycker du för att ta emot eller avsluta ett samtal. • I mottagningsläget håller du nedtryckt för att avvisa ett samtal. • I mottagningsläget håller du nedtryckt för att överföra samtal från Level Link till den andra enheten, eller vice versa. • I mottagningsläget trycker du för att spela upp eller stoppa uppspelningen av multimediefiler. • I mottagningsläget eller sändningsläget håller du nedtryckt i 3 sekunder för att aktivera läget för Bluetooth-sammankoppling.
Volymknapp	<ul style="list-style-type: none"> • I mottagningsläget trycker du för att justera volymen under ett samtal. • I mottagningsläget trycker du för att justera volymen när du spelar upp multimediefiler.
REW-knapp/ FF-knapp	<ul style="list-style-type: none"> • I mottagningsläget trycker du för att spela upp föregående eller nästa multimediefil under uppspelning. • I mottagningsläget håller du nedtryckt för att snabbspola framåt eller bakåt i en multimediefil under uppspelning.

Statusindikator

Status	Färg
Läget för Bluetooth-sammankoppling	<ul style="list-style-type: none"> • Blinkar rött, grönt och blått
Slå på strömmen eller aktivera lägen	<ul style="list-style-type: none"> • Blinkar blått 3 gånger

Status	Färg
Ström av	• Blinkar rött 3 gånger
Inkommande samtal	• Blinkar blått

Ladda batteriet

Ladda batteriet innan du använder Level Link för första gången eller när Level Link inte har använts under en längre period.

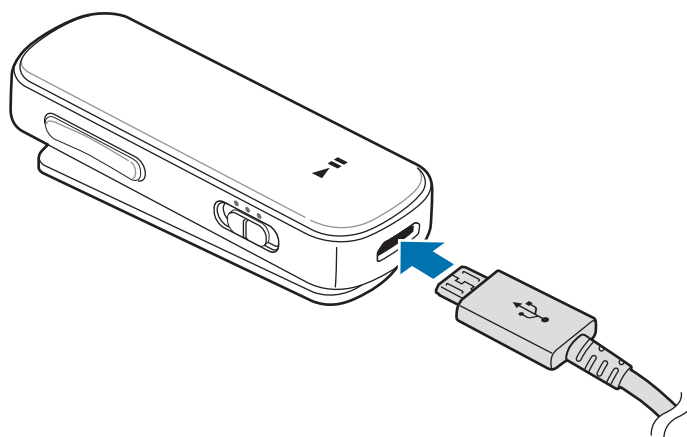


Använd bara laddare, batterier och kablar som är godkända av Samsung. Om du använder laddare eller kablar som inte är godkända av Samsung kan batterierna explodera eller skada headsetet.



Om batteriet är helt urladdat kan inte headsetet slås på direkt när laddaren ansluts. Låt ett urladdat batteri laddas i några minuter innan du slår på headsetet.

Anslut enheten till en dator eller till USB-strömadaptern via USB-kabeln.



Om du ansluter laddaren på fel sätt kan allvarliga skador uppstå på enheten. Skador som orsakas av felaktig användning omfattas inte av garantin.



- Enheten kan användas när den laddas men det kan då ta längre tid att ladda batteriet helt.
- Enheten kan bli varm när den laddas. Detta är normalt och påverkar inte enhetens livslängd eller prestanda. Om batteriet blir varmare än normalt kan det hända att laddaren slutar ladda.
- Om enheten inte laddas som den ska, ska du ta med enheten och laddaren till ett Samsung-servicecenter.

När enheten har laddats fullt ska den kopplas bort från laddaren. Koppla först ur laddaren från enheten och koppla sedan ur den från eluttaget.



Koppla ur laddaren när den inte används för att spara energi. Laddaren har ingen strömknapp, så du måste koppla ur laddaren från eluttaget när den inte används för att undvika att slösa med ström. Laddaren ska vara nära eluttaget under laddningen och lätt att komma åt under laddningen.

Kontrollera batterinivå

Håll volym upp-knappen och flerfunktionsknappen nedtryckta samtidigt i 1 sekund. Aviseringslampan blinkar tre gånger i olika färger i efter laddningsstatusen.

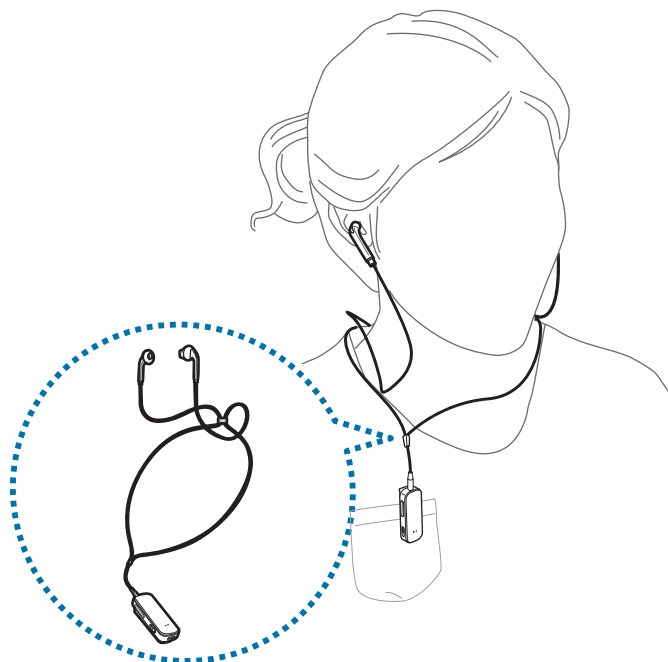
Status	Färg
Mindre än 30%	• Röd
30–60%	• Gul
Mer än 60%	• Grön


Bära enheten och hörlurarna

Anslut de medföljande hörlurarna till din Level Link och bär dem runt halsen.

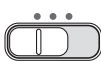
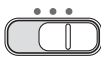
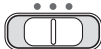
- 1 Anslut hörlurarna till ljuduttaget på Level Link.
- 2 Justera hörlursklämman så att det bildas en ögla som är tillräckligt stor för ditt huvud.


- 3 Fäst din Level Link på kläderna.
- 4 Bär hörlurarna runt halsen och sätt fast öronsnäckorna.



 Var försiktig när enheten används med hörlurar med sladd. Du kan strypas om hörlurarnas sladd ligger runt din hals.

Slå på och av enheten

-  : Aktivera mottagningsläget.
-  : Aktivera sändningsläget.
-  : Stäng av enheten.

 Följ alla varningsmeddelanden och anvisningar från behörig personal i områden där användningen av trådlösa enheter är begränsad, t.ex. i flygplan och på sjukhus.

Använda enheten

Bluetooth

Om Bluetooth

Bluetooth är en standard för trådlös teknik som använder en frekvens på 2,4 GHz för att ansluta till olika enheter över korta avstånd. Den kan ansluta till och utbyta data med andra Bluetooth-aktiverade enheter, t.ex. mobila enheter, datorer, skrivare och andra digitala hushållsapparater, utan att kablar används.

Meddelanden om att använda Bluetooth

- Placera enheterna nära varandra för att undvika problem när du ansluter din enhet till en annan enhet.
- Se till att enheten och den andra Bluetooth-enheten befinner sig inom Bluetooth-anslutningsräckvidden (10 m). Avståndet kan variera beroende på vilken miljö enheterna används i.
- Se till att det inte finns några hinder, inklusive människor, väggar, hörn eller staket, mellan headsetet och den anslutna enheten.
- Vidrör inte Bluetooth-antennen på en ansluten enhet.
- Bluetooth använder samma frekvens som vissa industri-, vetenskaps-, medicintekniska och lågenergi produkter och störningar kan uppstå om du ansluter enheter i närheten av denna typ av produkter.
- Vissa enheter, särskilt de som inte har testats eller godkänts av Bluetooth SIG, kanske inte är kompatibla med headsetet.
- Använd inte Bluetooth för olagliga syften (t.ex. piratkopiering av filer eller att avlyssna kommunikationer i kommersiella syften).

Ansluta till andra enheter



Ljudkvaliteten och användningsområdet mellan Level Link och anslutna ljudenheter kan variera beroende på de Bluetooth-aktiverade ljudenheterna.

Ansluta i mottagningsläge

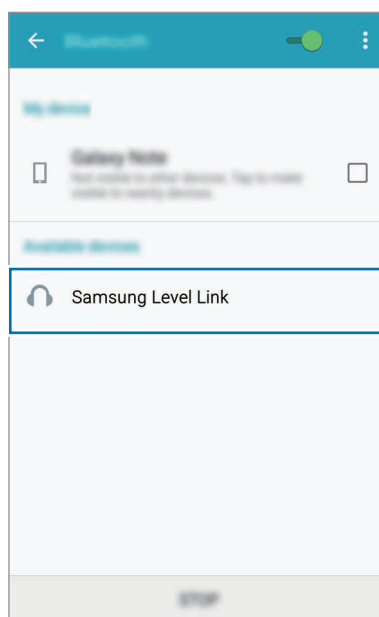
Du kan ta emot samtal eller lyssna på musik när din Level Link är ansluten till Bluetooth-aktiverade enheter. När du slår på Level Link för första gången försätts den i läget för Bluetooth-sammankoppling.



- När du kopplar samman din Level Link med andra enheter via Bluetooth för första gången ansluter din Level Link automatiskt till de sammankopplade enheterna. Om din Level Link inte ansluter försätts den i läget för Bluetooth-sammankoppling.
- Level Link kan lagra enhetsinformation för upp till åtta enheter. Om din Level Link har anslutits till fler än en enhet ansluter den till den enhet som kopplades samman senast.

- 1 Level Link** För lägesreglaget åt vänster för att aktivera mottagningsläget.
- 2 Level Link** Håll sedan flerk Funktionsknappen nedtryckt i cirka 3 sekunder för att aktivera läget för Bluetooth-sammankoppling.
- 3 Annan enhet** Aktivera Bluetooth-funktionen och sök efter Bluetooth-enheter.
För mer information, se den andra enhetens bruksanvisning.

4 **Annan enhet** Tryck lätt på **Samsung Level Link** i listan.



5 **Level Link** Anslut hörlurarna till Level Link.

Alternativt ansluter du Level Link till AUX-ingången på en ljudenhet via en ljudkabel.



Om du ansluter Level Link via en ljudkabel till uttaget för ljud ut på en TV eller dator i det här läget kan din Level Link skadas.

Ansluta i sändningsläge

Anslut din enhet till en multimediespelare med ljudkabeln. Du kan lyssna på multimediefiler via en annan ljudenhet, t.ex. ett Bluetooth-headset. När du slår på Level Link för första gången försätts den i läget för Bluetooth-sammankoppling.



- När du kopplar samman din Level Link med andra enheter via Bluetooth för första gången ansluter din Level Link automatiskt till de sammankopplade enheterna. Om din Level Link inte ansluter försätts den i läget för Bluetooth-sammankoppling.
- Level Link kan lagra enhetsinformation för upp till åtta enheter. Om din Level Link har anslutits till fler än en enhet ansluter den till den enhet som kopplades samman senast.

- 1 Level Link** För lägesreglaget åt höger för att aktivera sändningsläget.
- 2 Level Link** Håll sedan flerk Funktionsknappen nedtryckt i cirka 3 sekunder för att aktivera läget för Bluetooth-sammankoppling.
- 3 Level Link** Placera din Level Link inom 30 cm från den sammankopplade ljudenheten.
Level Link och ljudenheten är nu anslutna via Bluetooth. Om anslutningen misslyckas ska du stänga av ljudenheten och slå på den igen. Upprepa sedan stegen ovan.
- 4** Anslut ljudkabeln till ljuduttaget på Level Link. Anslut sedan den andra änden av ljudkabeln till uttaget för ljud ut på multimediaspelaren.



- Metoden för anslutning via Bluetooth kan variera beroende på de anslutna enheterna. Mer information finns i bruksanvisningen till den anslutna enheten.
- Synkroniseringsproblem kan uppstå när Level Link är ansluten till en TV i sändningsläge. Vi rekommenderar att du ansluter Level Link till en TV som stöder aptX Low Latency codec.
- Sänk volymen på multimediaspelaren innan du drar ur ljudkabeln när du använder Level Link med en multimediaspelare för att undvika plötsliga höga ljud.
- Ljudet kan sänkas eller brus uppstå beroende på volymen på den anslutna multimediaspelaren. Undvik detta genom att justera ljudet på multimediaspelaren.

Ansluta ytterligare enheter

I mottagningsläget eller sändningsläget kan din Level Link ansluta till två enheter via Bluetooth.

- 1 I mottagningsläget eller i sändningsläget ska du ansluta din Level Link till den första enheten.
- 2 Anslut din Level Link till en andra enhet via Bluetooth med hjälp av den anslutningsmetod som används för den första enheten.



- Om din Level Link inte visas i listan över identifierade enheter i mottagningsläget ska du hålla flerknappknappen nedtryckt i cirka 3 sekunder för att aktivera läget för Bluetooth-sammankoppling.
- I sändningsläget stöder Level Link aptX-låglatenskodeken när Level Link är ansluten till en ljudenhet. Om två ljudenheter ansluts samtidigt till Level Link stöds inte aptX-kodeken och videon och ljudet är eventuellt inte synkroniserade.
- I sändningsläget kan användningsområdet mellan Level Link och andra enheter minskas.

Ansluta igen eller avbryta anslutning till andra enheter

Ansluta enheterna igen

Om din Level Link förlorar anslutningen till en ljudenhet därför att de är för långt borta från varandra, placera enheterna närmare varandra och tryck på flerknappknappen igen för att ansluta dem. Alternativt du kan använda Bluetooth-menyn i ljudenheten för att ansluta enheterna.

Avbryta anslutningen till enheterna

Stäng av din enhet eller avbryt anslutningen mellan enheterna för att koppla bort Level Link från ljudenheten. Dra ut kabeln på båda enheterna om du har anslutit enheterna med en ljudkabel.

Använda mottagnings- och sändningslägena

I mottagningsläget kan du starta S Voice, ta emot samtal eller spela upp multimediefiler. I det här läget kan du använda din Level Link med hörlurar eller ansluta din Level Link till en ljudenhet via en ljudkabel.

I sändningsläget kan du lyssna på ljud från multimediespelaren via den anslutna ljudenheten.



- Tillgängliga funktioner kan variera beroende på den enhet du ansluter till. Vissa funktioner är eventuellt inte tillgängliga om din Level Link är ansluten till två enheter samtidigt.
- Vissa funktioner är endast tillgängliga när din Level Link ansluts till en enhet via handsfreeprofilen (HFP).
- Mikrofonens plats varierar beroende på hur du bär din Level Link. Hur din Level Link är placerad kan påverka ljudkvaliteten under samtal.

Starta S Voice

Tryck ned flerk Funktionsknappen i 1 sekund. Om den anslutna enheten stöder S Voice kan du använda programmet via din Level Link.

Ta emot och avvisa samtal

Ta emot ett samtal

Tryck på samtalsknappen för att ta emot samtal som rings till den anslutna enheten.

Avvisa ett samtal

Håll samtalsknappen nedtryckt för att avvisa samtal som rings till den anslutna enheten.

Använda alternativ under ett samtal

Justera volymen

Tryck på volymknappen under ett samtal för att justera volymen.

Växla ljudutmatning

Håll samtalsknappen nedtryckt för att överföra samtal från din Level Link till den anslutna enheten. Den här funktionen är eventuellt inte tillgänglig beroende på den anslutna enheten.

Avsluta ett samtal

Tryck på samtalsknappen för att avsluta ett samtal.

Spela upp multimediefiler

Spela upp multimediefiler i mottagnings- eller sändningsläget. Tillgängliga funktioner kan variera beroende på vilket läge som används.

Spela upp och stoppa en multimediefil

Tryck på flerknappen för att spela upp den senaste multimediefilen på den anslutna enheten.

Tryck ned flerknappen för att pausa uppspelningen. Återuppta uppspelningen genom att trycka på flerknappen igen.

Hoppa till föregående eller nästa multimediefil

Tryck på REW-knappen eller FF-knappen för att hoppa till föregående eller nästa fil under uppspelning.

Snabbspola multimediefilen framåt eller bakåt

Håll REW-knappen eller FF-knappen intryckt för att snabbspola filen bakåt eller framåt under uppspelning.

Justera volymen

Tryck på volymknappen för att justera volymen.



- När din Level Link är ansluten till två enheter kan du spela upp multimediefiler från båda enheterna. Om du vill spela upp en multimediefil från en annan enhet ska du pausa uppspelningen från den andra enheten först.
- När du spelar upp en multimediefil från en enhet kan du fortfarande ta emot samtal från den andra enheten.
- Om uteffekten på ljudkabeln och den anslutna ljudenheten skiljer sig i sändningsläget kan ljudvolymen på din Level Link variera.

Utföra en dataåterställning

När din Level Link är ansluten till en enhet via Bluetooth lagras informationen för din Level Link, t.ex. Bluetooth-adress och enhetstyp, på den anslutna enheten. Om du vill ta bort anslutningsinformationen för din Level Link ska du hålla flerknapparna nedtryckt i cirka 3 sekunder för att aktivera läget för Bluetooth-sammankoppling. Håll sedan REW-, FF- och flerknapparna intryckta samtidigt i 3 sekunder.

Bilaga

Felsökning

Innan du kontaktar ett Samsung-servicecenter ska du försöka med följande åtgärder. Vissa situationer är kanske inte tillämpliga för din enhet.

Det går inte att slå på enheten

Om batteriet är helt urladdat går det inte att slå på enheten. Ladda batteriet helt innan du slår på enheten.

Batteriet laddas inte som det ska (för laddare som är godkända av Samsung)

- Se till att laddaren har anslutits korrekt.
- Besök ett Samsung-servicecenter för att få batteriet utbytt.

En annan Bluetooth-enhet kan inte identifiera enheten

- Se till att enheten är i läget Bluetooth-sammankoppling.
- Återställ enheten och sök efter Bluetooth-enheter.
- Se till att enheten och den andra Bluetooth-enheten befinner sig inom Bluetooth-anslutningsräckvidden (10 m).

Om tipsen ovan inte löser problemet ska du kontakta ett Samsung-servicecenter.

En annan Bluetooth-enhet identifieras inte

- Se till att den enhet du vill ansluta till stöder den trådlösa Bluetooth-funktionen.
- Se till att din enhet och andra Bluetooth-enheter befinner sig inom den högsta Bluetooth-räckvidden (10 m).

Bluetooth-anslutningen bryts ofta

- Om det finns hinder mellan enheterna kan driftavståndet minskas.
- Se till att din enhet och andra Bluetooth-enheter befinner sig inom den högsta Bluetooth-räckvidden (10 m).
- Om du använder enheten tillsammans med andra Bluetooth-enheter kan anslutningen påverkas av elektromagnetiska vågor. Använd enheten i miljöer där det finns färre trådlösa enheter.

Det går inte höra andra prata

- Justera enhetens volym.
- Justera volymen på den anslutna enheten om du inte kan höra ljud på din enhet vid full volym.

Ekon hörs under ett samtal

Justera volymen genom att trycka på volymknappen eller förflytta dig till ett annat område.

Andra hör inte dig under ett samtal

- Se till att du inte täcker den inbyggda mikrofonen.
- Se till att mikrofonen finns nära munnen.

Ljudkvaliteten är dålig

- Trådlösa nätverkstjänster kan brytas på grund av problem med tjänstleverantörens nätverk. Se till att hålla enheten borta från elektromagnetiska vågor.
- Se till att din enhet och andra Bluetooth-enheter befinner sig inom den högsta Bluetooth-räckvidden (10 m).

Enheten fungerar inte som det beskrivs i handboken

- Vilka funktioner som är tillgängliga kan variera beroende på den anslutna enheten.
- Vissa funktioner kan inte användas när två enheter är anslutna till enheten samtidigt.

Batteriet töms snabbare än när enheten köptes

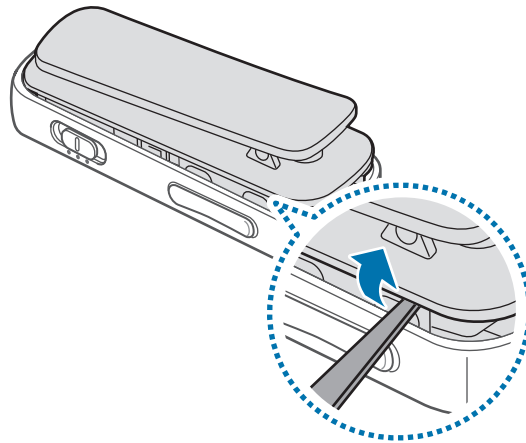
- Om du utsätter enheten eller batteriet för mycket kalla eller varma temperaturer kan den användbara laddningen minska.
- Batteriet är en förbrukningsvara och den användbara batteritiden kommer att minska med tiden.

Borttagning av batteriet (icke borttagbar typ)



- De här anvisningarna är endast till för din tjänsteleverantör eller ett auktoriserat reparationsombud.
- Skador eller fel som har orsakats av icke auktoriserad borttagning av batteriet täcks inte av garantin.
- Om du vill ta bort eller byta ut batteriet ska du kontakta din tjänsteleverantör eller ett auktoriserat reparationsombud.

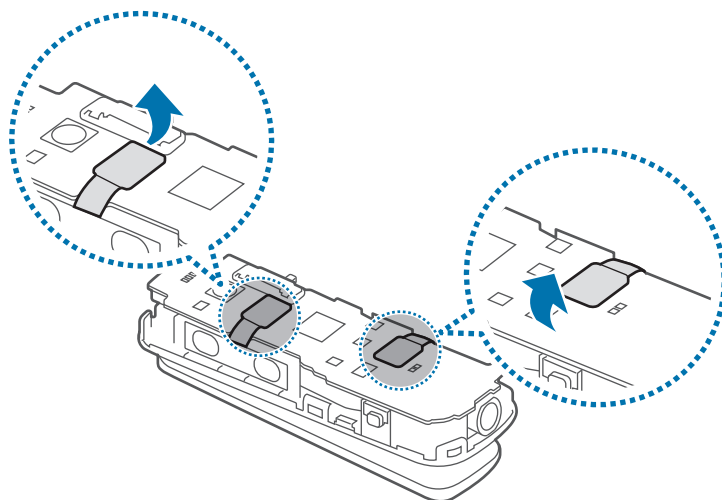
- 1 För in ett tunt, platt verktyg i springan mellan luckan och enhetens stomme.
Använd sedan verktyget för att bända isär dem så som visas på bilden nedan.



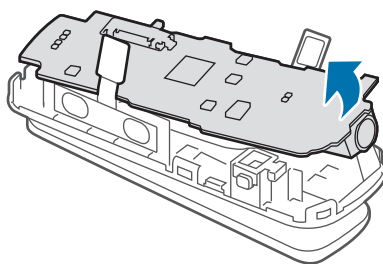
Var försiktig när du för in verktyget så att du inte skadar enhetens inre komponenter.

- 2 När du har tagit bort luckan ska du lägga den åt sidan.

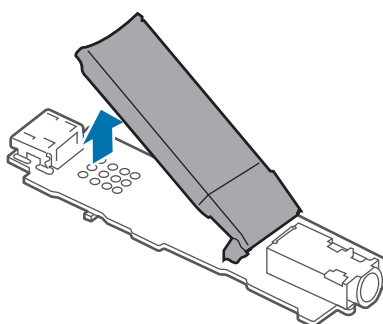
3 Koppla loss batterianslutningarna.



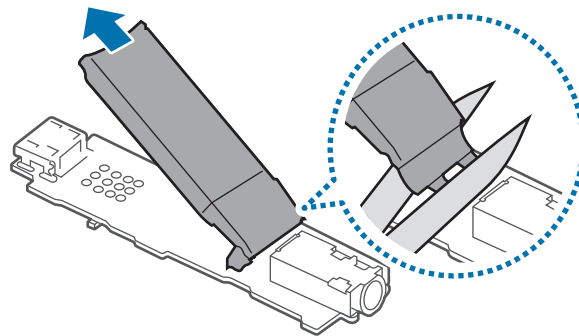
4 Ta bort kretskortet genom att lossa det från enheten och placera det med framsidan nedåt på en plan yta.



5 Tryck på laddningsporten och dra batteriet uppåt så att det lossar från kretskortet.



6 Dra batteriet bort från kretskortet och klipp av anslutningarna så som visas på bilden nedan.



7 Ta bort batteriet.

Försäkran om överensstämmelse

Produktdetaljer

För följande

Produkt : Bluetooth-dongel

Modell(er) : EO-RG920



Försäkran och tillämpliga standarder

Vi intygar härmed att den ovannämnda produkten uppfyller de väsentliga kraven i R&TTE-direktivet (1999/5/EG) genom tillämpning av:

SÄKERHET	EN 60950-1 : 2006 + A11 : 2009 + A1 : 2010 + A12 : 2011
SAR	EN 50566 : 2013 EN 62479 : 2010
EMC	EN 301 489-01 V1.9.2 (2011-09) EN 301 489-17 V2.2.1 (2012-09)
Radio	EN 300 328 V1.8.1 (2012-06)

och direktiv (2011/65/EU) om begränsning av användning av vissa farliga ämnen i elektrisk och elektronisk utrustning genom tillämpning av EN 50581:2012.

Gäller inom EU

Samsung Electronics Euro QA Lab.
Blackbushe Business Park
Saxony Way, Yateley, Hampshire
GU46 6GG, UK



2015.01.27

Stephen Colclough / EU-representant

(utgivningsdatum och ort)

(namn och underskrift av ansvarig person)

* Detta är inte adressen till Samsung-servicecenter. För adress eller telefonnummer till Samsung-servicecenter, se bifogat "Warranty Card" eller kontakta återförsäljaren av din produkt.

Behöver du hjälp eller har frågor, hänvisar vi till www.samsung.se.

Klicka på "SUPPORT" => "Hjälp & felsökning" och välj sedan produktgrupp och produkttyp

Alternativt ring vår kundsupport tfn:
0771-SAMSUNG (7267864)

Upphovsrätt

Copyright © 2015 Samsung Electronics

Den här handboken skyddas av internationell upphovsrättslagstiftning.

Ingen del i den här handboken får reproduceras, distribueras, översättas eller överföras i någon form eller på något sätt, elektroniskt eller mekaniskt, inklusive fotokopiering, inspelning och lagring i system för lagring av och åtkomst till information, utan föregående skriftligt samtycke från Samsung Electronics.

Varumärken

- SAMSUNG och logotypen för SAMSUNG är registrerade varumärken som tillhör Samsung Electronics.
- Bluetooth® är ett registrerat varumärke som tillhör Bluetooth SIG, Inc. i hela världen.
- Alla andra varumärken och upphovsrätter tillhör respektive ägare.

Les dette først

Les denne bruksanvisningen før du bruker enheten for å sikre trygg og riktig bruk.

- Beskrivelser er basert på enhetens standardinnstillinger.
- Bildene kan skille seg fra utseendet til det faktiske produktet. Innholdet kan endres uten forhåndsvarsel.

Instruksjonsikoner



Advarsel: Situasjoner som kan føre til skader på deg selv eller andre



Obs: Situasjoner som kan skade enheten eller annet utstyr



Merknad: Merknader, brukstips eller ytterligere informasjon

Komme i gang

Om Level Link

Level Link støtter mottaksmodus og sendemodus. I mottaksmodus kan du koble øretelefoner til Level Link, og bruke det som et Bluetooth-hodesett for Bluetooth-aktiverte enheter, som for eksempel smarttelefoner eller nettbrett. I sendemodus kan du bruke enheten som en dongle som kobles til datamaskiner, TV-er, Bluetooth-hodesett og mer.

I mottaksmodus kan du bruke følgende funksjoner:

- Starte S Voice
- Motta anrop eller avslutte samtaler
- Styre multimediefiler

I sendemodus kan du spille av lyd fra den tilkoblede multimedieenheten.

Pakkeinnhold

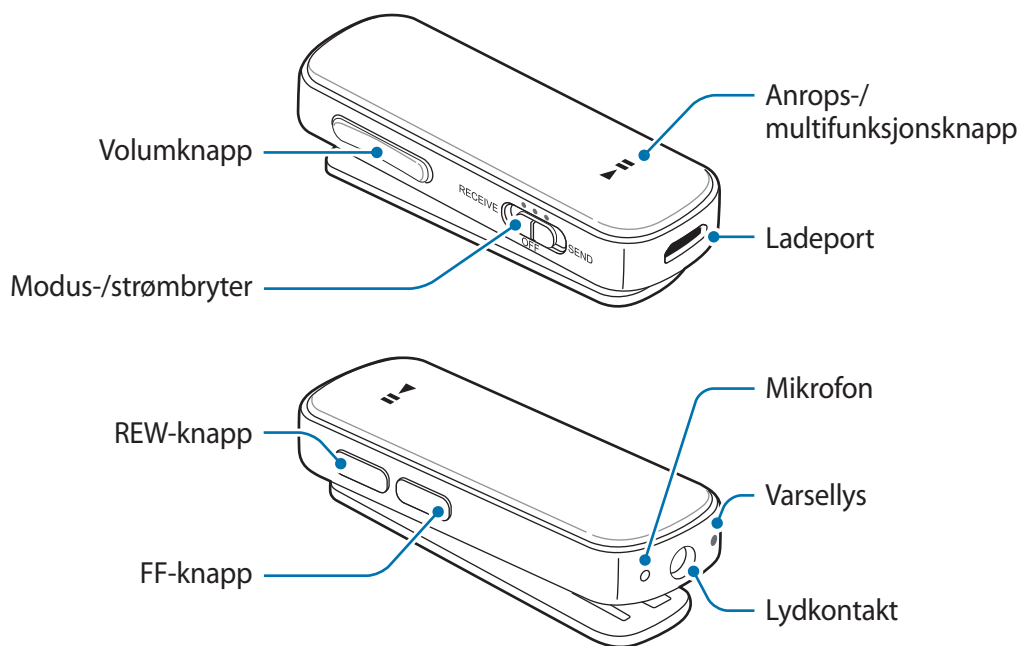
Kontroller at produktesken inneholder følgende:

- Enhet
- Hodetelefoner
- USB-kabel
- Lydkabel
- Hurtigstartveiledning



- Utstyret som leveres med enheten, samt annet tilgjengelig tilbehør, kan variere, avhengig av område og tjenesteleverandør.
- Det medfølgende utstyret er utformet kun for denne enheten, og det er ikke sikkert at det er kompatibelt med andre enheter.
- Utseende og spesifikasjoner kan være gjenstand for endringer uten forhåndsvarsel.
- Du kan kjøpe ytterligere tilbehør fra din lokale Samsung-forhandler. Kontroller at dette er kompatibelt med enheten før kjøp.
- Bruk bare Samsung-godkjent tilbehør. Bruk av tilbehør som ikke er godkjent, kan forårsake ytelsesproblemer og feil som ikke dekkes av garantien.
- Tilgjengelighet for alt tilbehør kan endres etter produsentenes eget skjønn. Gå til nettstedet til Samsung for mer informasjon om tilgjengelig tilbehør.

Enhetsoppsett



Knapper og funksjoner

Navn	Funksjon
Modus-/strømbryter	<ul style="list-style-type: none"> • Sky til venstre for å aktivere mottaksmodus, og skyv til høyre for å aktivere sendemodus. • Skyv til OFF for å slå av enheten.
Anrops-/multifunksjonsknapp	<ul style="list-style-type: none"> • Trykk på og hold inne i 1 sekund for å starte S Voice når enheten er i mottaksmodus. • Trykk på for å svare på et anrop eller avslutte en samtale når enheten er i mottaksmodus. • Trykk på og hold inne for å avvise et anrop når enheten er i mottaksmodus. • Trykk på og hold inne for å overføre samtaler fra Level Link til den andre enheten (eller motsatt) når enheten er i mottaksmodus. • Trykk på for å spille av eller stoppe multimediefiler når enheten er i mottaksmodus. • Trykk på og hold inne i 3 sekunder for å gå inn i Bluetooth-sammenkoblingsmodus når enheten er i mottaks- eller sendemodus.
Volumknapp	<ul style="list-style-type: none"> • Trykk på for å justere volumet under en samtale når enheten er i mottaksmodus. • Trykk på for å justere volumet under avspilling av multimediefiler når enheten er i mottaksmodus.
REW-/FF-knapper	<ul style="list-style-type: none"> • Trykk på for å spille av forrige eller neste multimediefil under avspilling når enheten er i mottaksmodus. • Trykk på og hold inne for å spole en multimediefil bak- eller fremover under avspilling når enheten er i mottaksmodus.

Statusindikator

Status	Farge
Bluetooth-sammenkoblingsmodus	<ul style="list-style-type: none"> • Blinker rødt, grønt og blått
Slås på eller aktiverer modi	<ul style="list-style-type: none"> • Blinker blått 3 ganger

Status	Farge
Slås av	• Blinker rødt 3 ganger
Innkommende anrop	• Blinker blått

Lade batteriet

Lad batteriet før du bruker Level Link for første gang, eller når Level Link har vært ubrukt i lengre perioder.

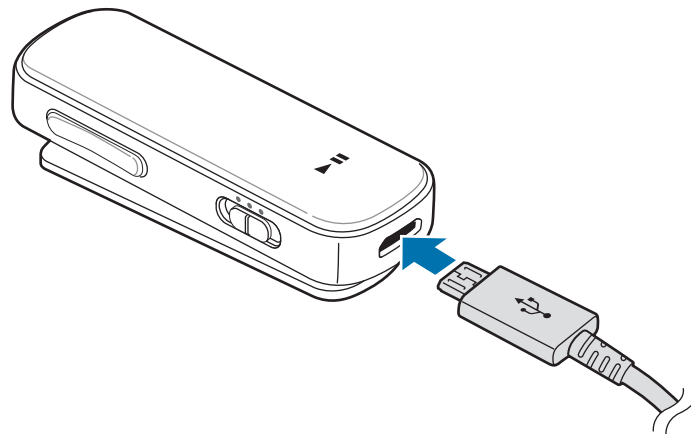


Bruk kun Samsung-godkjente ladere, batterier og kabler. Ladere eller kabler som ikke er godkjente, kan føre til at batteriet eksploderer eller skade hodesettet.



Hvis batteriet er helt utladet, kan ikke hodesettet slås på umiddelbart etter at laderen er koblet til. La et utladet batteri lades i noen minutter før du slår på hodesettet.

Koble enheten til en datamaskin eller USB-strømadapteren via USB-kabelen.



Hvis du kobler til laderen feil, kan dette føre til alvorlige skader på enheten. Skader som er forårsaket av feil bruk, dekkes ikke av garantien.



- Enheten kan brukes mens den lader, men det kan ta lengre tid å lade batteriet helt opp.
- Enheten kan bli varm under lading. Dette er normalt og skal ikke påvirke enhetens levetid eller ytelse. Hvis batteriet blir varmere enn vanlig, kan laderen slutte å lade.
- Hvis enheten ikke lades riktig, tar du enheten og laderen med til et Samsung-servicesenter.

Etter fullading kobler du enheten fra laderen. Først kobler du laderen fra enheten, og deretter kobler du den fra stikkontakten.



For å spare energi bør du koble fra laderen når den ikke er i bruk. Laderen er ikke utstyrt med en strømbryter, så du bør derfor koble den fra stikkontakten for å unngå unødvendig strømforbruk. Oppbevar laderen nær stikkontakten og lett tilgjengelig under lading.

Kontrollere batterinivået

Trykk på og hold inne volum opp- og multifunksjonsknappen samtidig i 1 sekund. Varsellyset blinker tre ganger i forskjellige farger i henhold til ladestatus.

Status	Farge
Mindre enn 30 %	• Rødt
30–60 %	• Gult
Mer enn 60 %	• Grønt

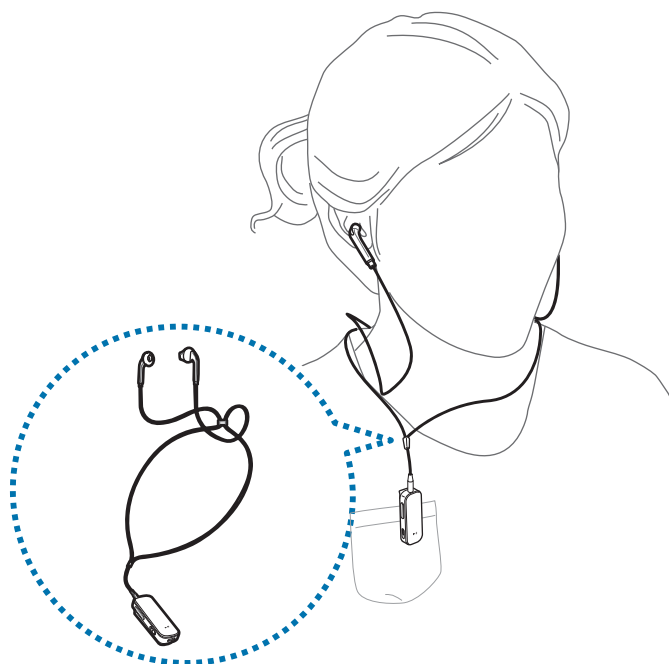
Ha på seg på enheten og øretelefonene

Koble de medfølgende øretelefonene til Level Link, og ha de rundt halsen.

- 1 Plugg øretelefonene inn i lydkontakten på Level Link.
- 2 Juster øretelefonklemmen slik at den danner en løkke som er stor nok til å få hodet gjennom.

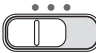


3 Fest Level Link til klærne dine.

4 Ha øretelefonene rundt nakken og sett inn øreproppene.



Utvis forsiktighet ved bruk av denne enheten med kablede øretelefoner. Du kan kveles hvis øretelefonene vikler seg rundt halsen din.

Slå enheten på og av

-  : Aktiver mottaksmodus.
-  : Aktiver sendemodus.
-  : Slå av enheten.



Følg alle oppslåtte advarsler og instruksjoner fra autorisert personale når du befinner deg i områder der bruken av trådløse enheter er begrenset, som for eksempel i fly og på sykehus.

Bruke enheten

Bluetooth

Om Bluetooth

Bluetooth er en trådløs teknologistandard som bruker en frekvens på 2,4 GHz til å koble til ulike enheter over korte avstander. Enheten kan koble til og utveksle data med andre Bluetooth-enheter, som for eksempel mobilenheter, datamaskiner, skrivere og andre digitale hvitevarer, uten å koble til via kabler.

Merknader for bruk av Bluetooth

- Plasser enhetene nærme hverandre for å unngå problemer når du kobler enheten til en annen enhet.
- Sørg for at enheten og den andre Bluetooth-enheten er innenfor Bluetooth-tilkoblingsrekkevidden (10 m). Avstanden kan variere, avhengig av hvilket miljø enhetene brukes i.
- Sørg for at det ikke er noen hindringer mellom hodesettet og en tilkoblet enhet, inkludert mennesker, vegger, hjørner eller gjerder.
- Ikke berør Bluetooth-antennen på en tilkoblet enhet.
- Bluetooth bruker samme frekvens som enkelte industrielle, vitenskapelige, medisinske eller lavstrømsprodukter og det kan oppstå interferens når du kobler til i nærheten av slike produkter.
- Enkelte enheter, spesielt de som ikke er testet eller godkjente av Bluetooth SIG, kan være inkompatible med hodesettet.
- Ikke bruk Bluetooth-funksjonen til ulovlige formål (for eksempel piratkopiering av filer eller ulovlig avlytting av kommunikasjon til kommersielle formål).

Koble til andre enheter



Lydkvalitet og bruksrekkevidde mellom Level Link og tilkoblede lydenheter kan variere, avhengig av de Bluetooth-aktiverte lydenhetene.

Koble til i mottaksmodus

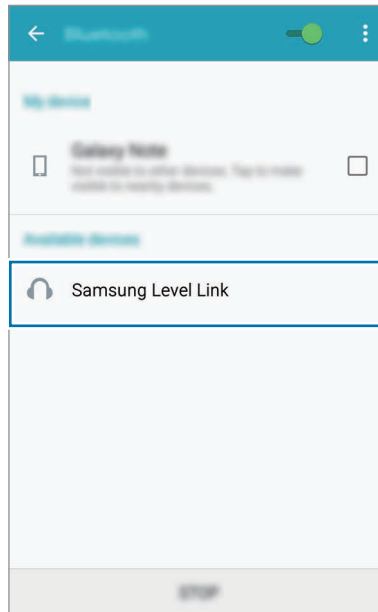
Du kan motta innkommende anrop eller høre på musikk når Level Link er koblet til Bluetooth-aktiverte enheter. Når du slår på Level Link for første gang, går den inn i Bluetooth-sammenkoblingsmodus.



- Når du kobler Level Link sammen med andre enheter via Bluetooth for første gang, kobles Level Link automatisk til sammenkoblede enheter. Level Link går inn i Bluetooth-sammenkoblingsmodus hvis den ikke kan kobles sammen med noen.
- Level Link kan lagre enhetsinformasjon om opptil åtte enheter. Level Link kobles til den siste sammenkoblede enheten hvis den har vært koblet til mer enn én enhet.

- 1 Level Link** Skyv modusbryteren til venstre for å aktivere mottaksmodus.
- 2 Level Link** Trykk på og hold multifunksjonsknappen inne i omtrent 3 sekunder for å gå inn i Bluetooth-sammenkoblingsmodus.
- 3 Annen enhet** Aktiver Bluetooth-funksjonen og søk etter Bluetooth-enheter.
Se i brukerhåndboken for enheten for mer informasjon.

4 **Annen enhet** Trykk på **Samsung Level Link** i listen.



5 **Level Link** Koble øretelefonene til Level Link.

Du kan også koble Level Link til auxiliary-inngangskontakten på en lydenhet via en lydkabel.



I denne modusen kan Level Link bli skadet hvis du kobler Level Link til lydutgangskontakten på en lydenhet som for eksempel en TV eller en datamaskin med en lydkabel.

Koble til i sendemodus

Koble enheten til en multimediespiller via lydkabelen. Du kan lytte til multimediefiler via en annet lydenhet, for eksempel et Bluetooth-hodesett. Når du slår på Level Link for første gang, går den inn i Bluetooth-sammenkoblingsmodus.



- Når du kobler Level Link sammen med andre enheter via Bluetooth for første gang, kobles Level Link automatisk til tidligere sammenkoblede enheter. Level Link går inn i Bluetooth-sammenkoblingsmodus hvis den ikke kan kobles sammen med noen.
- Level Link kan lagre enhetsinformasjon om opptil åtte enheter. Level Link kobles til den siste sammenkoblede enheten hvis den har vært koblet til mer enn én enhet.

- 1 **Level Link** Skyv modusbryteren til høyre for å aktivere sendemodus.
- 2 **Level Link** Trykk på og hold multifunksjonsknappen inne i omtrent 3 sekunder for å gå inn i Bluetooth-sammenkoblingsmodus.
- 3 **Level Link** Plasser din Level Link mindre enn 30 cm fra den sammenkoblede lydenheten. Level Link og lydenheten er nå forbundet via Bluetooth. Slå lydenheten av og på igjen hvis tilkoblingen mislykkes. Gjenta så trinnene overfor.
- 4 Plugg lydkabelen inn i lydkontakten på Level Link. Plugg deretter den andre enden av lydkabelen inn i lydutgangskontakten på multimediespilleren.



- Metoden for å koble til via Bluetooth kan variere, avhengig av de tilkoblede enhetene. Se i brukerhåndboken for den tilkoblede enheten for ytterligere informasjon.
- Når Level Link er koblet til en TV i sendingsmodus kan det oppstå problemer med leppesynkronisering. Det anbefales å koble Level Link til en TV som støtter aptX Low Latency-kodeken.
- Når du bruker Level Link med en multimediespiller, må du dempe volumet på multimediespilleren før du kobler fra lydkabelen for å unngå plutselige, høye lyder.
- Du kan oppleve fall i volum eller støy, avhengig av den tilkoblede multimediespillerens volum. Juster multimediespillerens lyd for å unngå dette.

Koble til flere enheter

Level Link kan koble til opptil to enheter via Bluetooth når den er i mottaks- eller sendemodus.

- 1 Koble Level Link til den første enheten i mottaks- eller sendemodus.
- 2 Koble Level Link til den andre enheten via Bluetooth ved å bruke tilkoblingsmetoden som du brukte for den første enheten.



- Hvis Level Link ikke dukker opp i listen over oppdagede enheter når den er i mottaksmodus, trykker du på og holder inne multifunksjonsknappen i omtrent 3 sekunder for å gå inn i Bluetooth-sammenkoblingsmodus.
- I sendemodus støtter Level Link aptX Low Latency-kodeken når den er koblet til én lydenhet. Hvis to lydenheter er koblet til Level Link samtidig, støttes ikke aptX-kodeken, og video og lyd kan bli usynkronisert.
- Bruksrekkevidden mellom Level Link og andre enheter kan kanskje bli redusert i sendemodus.

Koble til igjen eller koble fra andre enheter

Koble til enhetene på nytt

Dersom Level Link blir koblet fra lydenheten på grunn av avstanden mellom enhetene, må du flytte dem nærmere hverandre og trykke på multifunksjonsknappen for å koble dem sammen igjen. Du kan også bruke Bluetooth-menyen på lydenheten for å koble sammen enhetene.

Koble fra enhetene

For å koble Level Link fra lydenheten skrur du av enheten din eller opphever sammenkoblingen av enhetene. Hvis du har koblet sammen de to enhetene via en lyd kabel kobler du fra kabelen på begge enhetene.

Bruke mottaks- og sendemodi

I mottaksmodus kan du starte S Voice, besvare innkommende anrop eller spille av multimediefiler. I denne modusen kan du bruke Level Link med øretelefoner eller koble Level Link til en lydenhet via en lyd kabel.

I sendemodus kan du høre på lyd fra multimediespilleren via den tilkoblede lydenheten.



- Tilgjengelige funksjoner kan variere, avhengig av enheten som du kobler til. Noen enheter er kanskje ikke tilgjengelige hvis Level Link er koblet til to enheter samtidig.
- Noen funksjoner er kun tilgjengelige når Level Link er koblet til en enhet via håndfriprofilen (HFP).
- Mikrofonens plassering avhenger av hvordan du har Level Link på deg. Hvordan Level Link sitter, kan påvirke lyd kvaliteten under samtaler.

Starte S Voice

Trykk på og hold inne multifunksjonsknappen i 1 sekund. Hvis den tilkoblede enheten støtter S Voice, kan du bruke appen via Level Link.

Svare på og avvise anrop

Svare på et anrop

Trykk på anropsknappen for å svare på anrop på den tilkoblede enheten.

Avvise et anrop

Trykk på og hold inne anropsknappen for å avvise anrop på den tilkoblede enheten.

Bruke alternativer under en samtale

Justere volumet

Trykk på volumknappen under en samtale for å justere volumet.

Bytte lydutgang

Trykk på og hold inne anropsknappen for å overføre samtaler fra Level Link til den tilkoblede enheten. Denne funksjonen er kanskje ikke tilgjengelig, avhengig av den tilkoblede enheten.

Avslutte en samtale

Trykk på anropsknappen for å avslutte en samtale.

Spille av multimediefiler

Spill av multimediefiler i mottaks- eller sendemodus. Tilgjengelige funksjoner kan variere, avhengig av modusen som brukes.

Spille av og stoppe en multimediefil

Trykk på multifunksjonsknappen for å spille av den sist brukte multimediefilen på den tilkoblede enheten.

Trykk på multifunksjonsknappen for å sette avspilling på pause. Trykk på multifunksjonsknappen én gang til for å starte avspillingen igjen.

Hoppe til forrige eller neste multimediefil.

Trykk på REW- eller FF-knappen for å hoppe til forrige eller neste fil under avspilling.

Spole multimediefilen bak- eller fremover

Trykk på og hold inne REW- eller FF-knappen for å spole bak- eller fremover under avspilling.

Justere volumet

Trykk på volumknappen for å justere volumet.



- Du kan spille av multimediefiler på begge enhetene når Level Link er koblet til to enheter. Sett avspilling på pause på den andre enheten før du spiller av en multimediefil fra en annen enhet.
- Du kan fortsatt svare på anrop på den andre enheten når du spiller av en multimediefil på den ene enheten.
- Dersom det er forskjeller i utgangseffekten til lyd-kabelen og den tilkoblede lydenheten i sendemodus, kan lyd-volumet på Level Link variere.

Utføre en tilbakestilling av data

Når Level Link er koblet til en enhet via Bluetooth, vil informasjonen om Level Link, for eksempel Bluetooth-adresse og enhetstype, bli lagret på den tilkoblede enheten. For å slette tilkoblingsinformasjonen til Level Link trykker du på og holder inne multifunksjonsknappen i 3 sekunder, da dette gjør så enheten går inn i Bluetooth-sammenkoblingsmodus. Trykk så på og hold inne REW-, FF- og multifunksjonsknappene samtidig i 3 sekunder.

Tillegg

Feilsøking

Forsøk følgende løsninger før du kontakter et Samsung-servicesenter. Noen situasjoner gjelder kanskje ikke for din enhet.

Enheten slår seg ikke på

Enheten vil ikke slå seg på når batteriet er helt utladet. Lad opp batteriet helt før du slår på enheten.

Batteriet lader ikke riktig (for Samsung-godkjente ladere)

- Sørg for at laderen er koblet til på riktig måte.
- Besøk et Samsung-servicesenter og skift batteriet.

En annen Bluetooth-enhet kan ikke finne enheten din

- Sørg for at enheten din er i Bluetooth-sammenkoblingsmodus.
- Tilbakestill enheten og søk etter Bluetooth-enheter.
- Sørg for at enheten og den andre Bluetooth-enheten er innenfor Bluetooth-tilkoblingsrekkevidden (10 m).

Hvis tipsene overfor ikke løser problemet, kontakter du et Samsung-servicesenter.

Enheten din kan ikke finne en annen Bluetooth-enhet

- Kontroller at enheten som du vil koble til, støtter den trådløse Bluetooth-funksjonen.
- Sørg for at enheten din og den andre Bluetooth-enheten er innenfor maksimal Bluetooth-rekkevidde (10 m).

En Bluetooth-tilkobling blir ofte frakoblet

- Hvis det er hindringer mellom enhetene, kan driftsavstanden bli redusert.
- Sørg for at enheten din og den andre Bluetooth-enheten er innenfor maksimal Bluetooth-rekkevidde (10 m).
- Tilkoblingen kan bli påvirket av elektromagnetiske bølger når du bruker enheten med andre Bluetooth-enheter. Bruk enheten i miljøer med færre trådløse enheter til stede.

Du kan ikke høre når andre prater

- Juster enhetsvolumet.
- Juster volumet på den tilkoblede enheten når du ikke kan høre lyder på enheten på fullt volum.

Det er lydekko under en samtale

Juster volumet ved å trykke på volumknappen eller flytt deg til et annet sted.

Andre kan ikke høre at du snakker under en samtale

- Sørg for at du ikke dekker til den innebygde mikrofonen.
- Sørg for at mikrofonen er nærme nok munnen din.

Lydkvaliteten er dårlig

- Trådløse nettverkstjenester kan være deaktivert på grunn av problemer med tjenesteleverandørens nettverk. Sørg for å holde enheten unna elektromagnetiske bølger.
- Sørg for at enheten din og den andre Bluetooth-enheten er innenfor maksimal Bluetooth-rekkevidde (10 m).

Enheten fungerer på en annen måte enn den er beskrevet i bruksanvisningen

- Tilgjengelige funksjoner kan variere, avhengig av den tilkoblede enheten.
- Noen funksjoner kan ikke brukes når to enheter er koblet sammen med enheten samtidig.

Batteriet lades raskere ut enn når det ble kjøpt

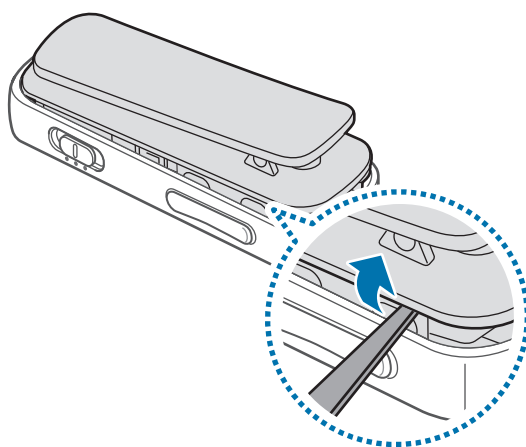
- Når du utsetter enheten eller batteriet for svært lave eller høye temperaturer, kan ladetiden reduseres.
- Batteriet er en forbruksvare, og ladetiden vil bli kortere over tid.

Ta ut batteriet (type som ikke kan tas ut)



- Disse instruksjonene er kun ment for mobiloperatøren din eller en autorisert reparatør.
- Skade eller feil som følge av uautorisert fjerning av batteriet, dekkes ikke av garantien.
- Hvis du skal fjerne eller bytte ut batteriet, må du kontakte mobiloperatøren din eller en autorisert reparatør.

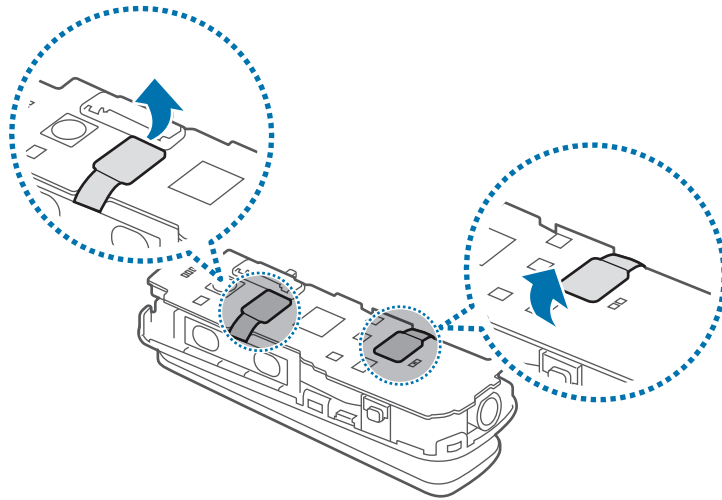
- 1 Sett et tynt, flatt verktøy inn i sprekken mellom dekselet og enheten.
Bruk så verktøyet til å lirke dem fra hverandre som vist på bildet nedenfor.



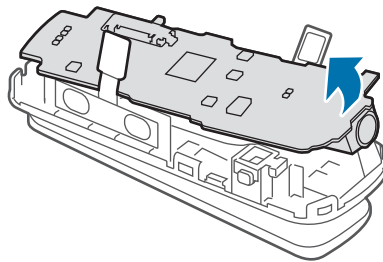
- Vær forsiktig når du setter verktøyet for å unngå skade på enhetens indre komponenter.

- 2 Legg dekselet til side når det er tatt av.

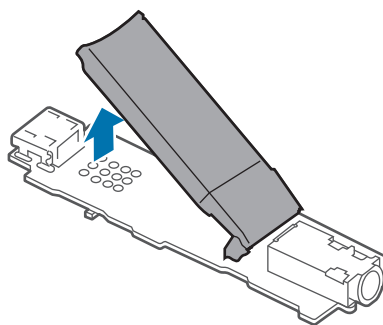
3 Koble fra batterikontaktene.



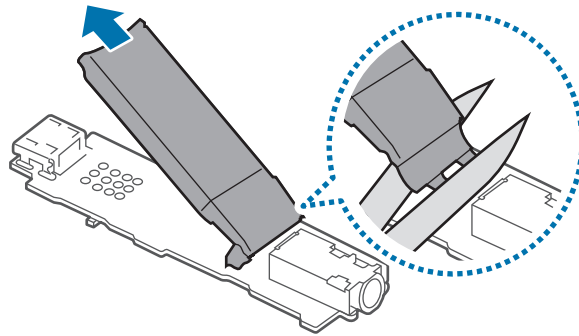
4 Fjern kretskortet ved å koble det fra enheten, og legg det med forsiden ned på et flatt underlag.



5 Trykk ned på ladeporten, og trekk batteriet oppover for å frigjøre det fra kretskortet.



6 Trekk batteriet bort fra kretskortet og kutt forbindelsene som vist i bildet nedenfor.



7 Ta ut batteriet.

Samsvarserklæring

Produktdetaljer

For følgende

Produkt : Bluetooth-dongle

Modell(er) : EO-RG920



Erklæring og gjeldende standarder

Herved erklærer vi at produktet over samsvarer med kravene i R&TTE-direktivet (1999/5/EF) ved anvendelse av:

SIKKERHET	EN 60950-1 : 2006 + A11 : 2009 + A1 : 2010 + A12 : 2011
SAR	EN 50566 : 2013 EN 62479 : 2010
EMC	EN 301 489-01 V1.9.2 (2011-09) EN 301 489-17 V2.2.1 (2012-09)
RADIO	EN 300 328 V1.8.1 (2012-06)

og direktivet (2011/65/EU) for begrensning av bruk av enkelte farlige stoffer i elektrisk og elektronisk utstyr ved anvendelse av EN 50581:2012.

Representant i EU

Samsung Electronics Euro QA Lab.
Blackbushe Business Park
Saxony Way, Yateley, Hampshire
GU46 6GG, UK



2015.01.27

Stephen Colclough / EU-representant

(sted og dato for utstedelse)

(navn og signatur til autorisert person)

* Dette er ikke adressen til Samsungs servicesenter. For adressen eller telefonnummeret til Samsungs servicesenter, se garantikortet eller kontakt forhandleren som du kjøpte produktet av.

Trenger du hjelp eller har spørsmål, henviser vi til www.samsung.no.

Klikk inn på "SUPPORT" => "Hjelp og feilsøking" eller søk ved hjelp av modellnummer.

Alternativt kan du ringe vår kundesupport på telefon 815 56 480.

Opphavsrett

Copyright © 2015 Samsung Electronics

Denne bruksanvisningen er beskyttet av internasjonale lover om opphavsrett.

Ingen deler av denne bruksanvisningen kan gjengis, distribueres, oversettes eller overføres i noen form eller på noen måter, elektronisk eller manuelt, inkludert kopiering, opptak eller lagring i informasjonslagrings- og gjenopprettingsystemer, uten skriftlig forhåndsgodkjennelse fra Samsung Electronics.

Varemerker

- SAMSUNG og SAMSUNG-logoen er registrerte varemerker som tilhører Samsung Electronics.
- Bluetooth® er et registrert varemerke som tilhører Bluetooth SIG, Inc. over hele verden.
- Alle andre varemerker og opphavsrettigheter tilhører sine respektive eiere.

Lue tämä ensin

Lue tämä opas huolellisesti ennen laitteen käyttöä, jotta osaat käyttää laitetta turvallisesti ja oikein.

- Kuvaukset perustuvat laitteen oletusasetuksiin.
- Kuvien ulkoasu voi poiketa todellisesta tuotteesta. Sisältöä voidaan muuttaa ilman ennakoilmoitusta.

Ohjekuvakkeet



Varoitus: Tilanteet, jotka voivat aiheuttaa vammoja sinulle tai muille



Vaara: Tilanteet, joissa tämä laite tai muut laitteet voivat vahingoittua



Huomautus: Huomautuksia, käyttövinkkejä tai lisätietoja

Aloittaminen

Tietoja Level Link -laitteesta

Level Link -laite tukee vastaanotto- ja lähetystilaa. Vastaanottotilassa voit liittää Level Link -laitteeseen nappikuulokkeet ja käyttää sitä Bluetooth-kuulokemikrofonina Bluetooth-yhteensopivien laitteiden, kuten älypuhelimien tai tablet-laitteiden, kanssa. Lähetystilassa voit käyttää laitetta esimerkiksi tietokoneisiin, televisioihin tai Bluetooth-kuulokemikrofoneihin liitettävänä sovittimena.

Vastaanottotilassa voit käyttää seuraavia toimintoja:

- S Voice -sovelluksen käynnistäminen
- Puhelujen vastaanottaminen tai lopettaminen
- Mediatiedostojen hallinta

Lähetystilassa voit toistaa liitetyn multimedialaitteen ääntä.

Pakkauksen sisältö

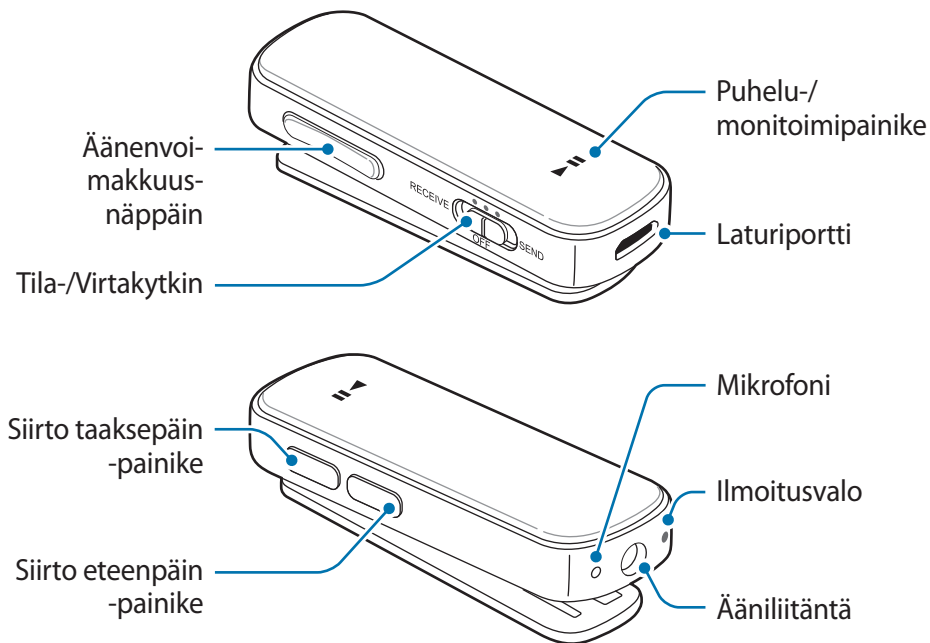
Tarkista, että tuotepakkaus sisältää seuraavat osat:

- Laite
- Nappikuulokkeet
- USB-kaapeli
- Audiokaapeli
- Pikaopas



- Laitteen mukana toimitettavat varusteet ja saatavissa olevat lisävarusteet voivat vaihdella alueen tai palveluntarjoajan mukaan.
- Mukana toimitettavat varusteet on suunniteltu vain tähän laitteeseen, eivätkä ne välttämättä ole yhteensopivia muiden laitteiden kanssa.
- Ulkoasua ja teknisiä ominaisuuksia voidaan muuttaa ilman ennakkoilmoitusta.
- Voit ostaa lisävarusteita Samsung-jälleenmyyjältä. Varmista ennen ostamista, että ne ovat yhteensopivia laitteen kanssa.
- Käytä vain Samsungin hyväksymiä lisävarusteita. Hyväksymättömien lisävarusteiden käyttäminen voi aiheuttaa suorituskykyongelmia ja vikoja, joita takuu ei kata.
- Kaikkien lisävarusteiden saatavuus on kokonaan niitä valmistavien vastaavien yhtiöiden vastuulla. Lisätietoja saatavilla olevista lisävarusteista on Samsungin sivustossa.

Laitteen osat



Painikkeet ja toiminnot

Nimi	Toiminto
Tila-/Virtakytkin	<ul style="list-style-type: none"> Ota vastaanottotila käyttöön liu'uttamalla vasemmalle ja ota lähetystila käyttöön liu'uttamalla oikealle. Sammuta laite liu'uttamalla asentoon OFF.
Puhelu-/monitoimipainike	<ul style="list-style-type: none"> Vastaanottotilassa pidä painettuna yksi sekunti, jos haluat käynnistää S Voice -sovelluksen. Vastaanottotilassa paina, jos haluat vastata puheluun tai lopettaa sen. Vastaanottotilassa paina jonkin aikaa, jos haluat hylätä puhelun. Vastaanottotilassa paina jonkin aikaa, jos haluat siirtää puhelut Level Link -laitteesta toiseen laitteeseen tai päinvastoin. Vastaanottotilassa paina, jos haluat aloittaa tai pysäyttää multimediatiedostojen toiston. Vastaanotto- tai lähetystilassa pidä painettuna kolme sekuntia, jos haluat siirtyä Bluetooth-laitteparin muodostustilaan.
Äänenvoimakkuusnäppäin	<ul style="list-style-type: none"> Vastaanottotilassa paina, jos haluat säätää äänenvoimakkuutta puhelun aikana. Vastaanottotilassa paina, jos haluat säätää äänenvoimakkuutta multimediatiedostojen toiston aikana.
Siirto taaksepäin -painike / Siirto eteenpäin -painike	<ul style="list-style-type: none"> Vastaanottotilassa paina, jos haluat toistaa edellisen tai seuraavan multimediatiedoston toiston aikana. Vastaanottotilassa paina jonkin aikaa, jos haluat siirtyä taakse- tai eteenpäin multimediatiedostossa toiston aikana.

Tilailmaisin

Tila	Väri
Bluetooth-laitteparin muodostustila	<ul style="list-style-type: none"> Vilkkuu punaisena, vihreänä ja sinisenä
Virran kytkentä tai tilojen aktivointi	<ul style="list-style-type: none"> Välähtää sinisenä kolme kertaa
Virran katkaisu	<ul style="list-style-type: none"> Välähtää punaisena kolme kertaa
Saapuva puhelu	<ul style="list-style-type: none"> Vilkkuu sinisenä

Akun lataaminen

Lataa akku, ennen kuin käytät Level Link -laitetta ensimmäisen kerran tai kun Level Link -laite on ollut pitkään käyttämättömänä.

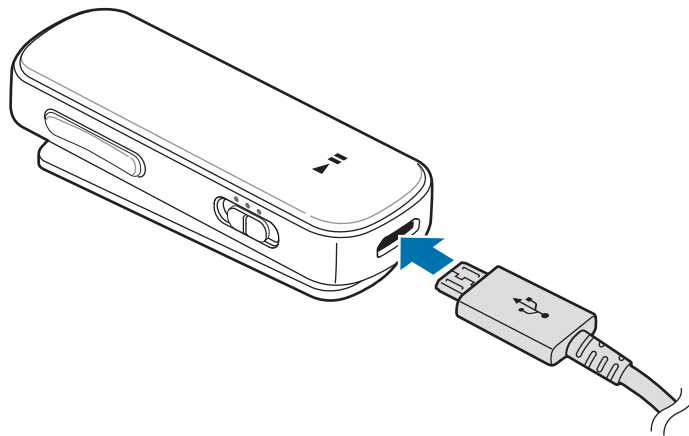


Käytä vain Samsungin hyväksymiä latureita, akkuja ja kaapeleita. Muut kuin hyväksytyt laturit tai kaapelit voivat aiheuttaa akun räjähtämisen tai kuulokemikrofonin vahingoittumisen.



Jos akku on täysin tyhjä, kuulokemikrofonia ei voi käynnistää, vaikka laturi olisi liitetty siihen. Anna tyhjän akun latautua muutama minuutti ennen kuulokemikrofonin käynnistämistä.

Kytke laite tietokoneeseen tai USB-virtasovittimeen USB-kaapelilla.



Laturin liittäminen väärin voi vahingoittaa laitetta vakavasti. Takuu ei kata epäasianmukaisen käytön aiheuttamia vaurioita.



- Laitetta voi käyttää latauksen aikana, mutta akun lataaminen voi hidastua.
- Laite voi kuumentua latauksen aikana. Tämä on normaalia, eikä sen pitäisi vaikuttaa laitteen käyttöikään eikä suorituskykyyn. Jos akku kuumenee tavallista voimakkaammin, laturi voi lopettaa lataamisen.
- Jos laite ei lataudu asianmukaisesti, vie laite sekä laturi Samsung-huoltoon.

Kun akku on latautunut täyteen, irrota laite laturista. Irrota laturi ensin laitteesta ja sitten pistorasiasta.



Säästä energiaa irrottamalla laturi, kun sitä ei tarvita. Laturissa ei ole virtakytkintä, joten irrota laturi pistorasiasta sähkön säästämiseksi, kun laturia ei tarvita. Laturi on pidettävä lähellä pistorasiaa ja helposti saatavilla latauksen ajan.

Akun tason tarkistaminen

Pidä äänenvoimakkuus (+)- ja monitoimipainiketta painettuina samanaikaisesti yhden sekunnin ajan. Ilmoitusvalo välähtää kolme kertaa erivärisenä varaustilan mukaan.

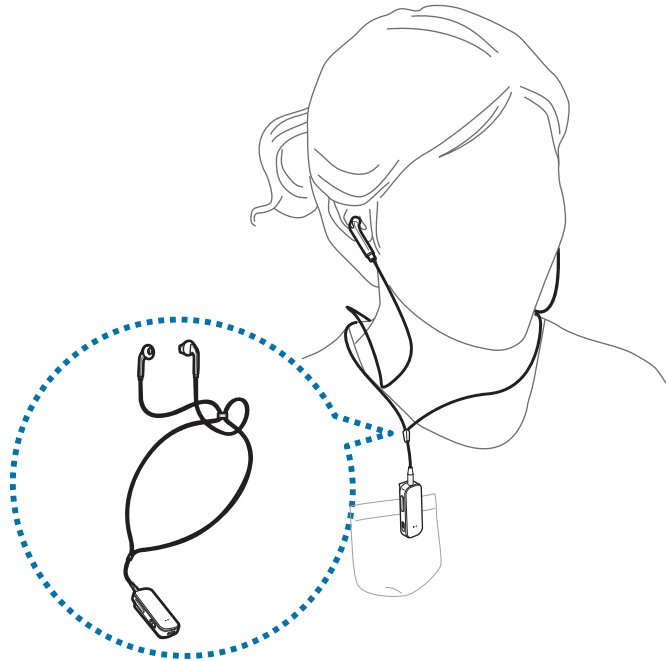
Tila	Väri
Alle 30 %	• Punainen
30–60 %	• Keltainen
Yli 60 %	• Vihreä

Laitteen ja nappikuulokkeiden pukeminen päälle

Liitä mukana toimitetut nappikuulokkeet Level Link -laitteeseen ja aseta niiden johto kaulasi ympärille.

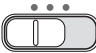
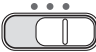

- 1 Liitä nappikuulokkeet Level Link -laitteen ääniliitintään.
- 2 Säädä nappikuulokkeiden pidikettä niin, että pääsi mahtuu silmukan läpi.

- 3 Kiinnitä Level Link -laite vaatteisiisi.
- 4 Aseta nappikuulokkeiden johto kaulasi ympärille ja aseta kuulokeosat korviisi.



Ole varovainen, jos käytät tätä laitetta johdollisten kuulokkeiden kanssa. Voit tukehtua, jos nappikuulokkeiden johdot kiertyvät kaulasi ympärille.

Laitteen virran kytkeminen ja katkaiseminen

-  : Ota vastaanottotila käyttöön.
-  : Ota lähetystila käyttöön.
-  : Sammuta laite.



Noudata kaikkia valtuutetun henkilöstön antamia varoituksia ja ohjeita, kun olet paikassa, jossa langattomien laitteiden käyttöä on rajoitettu, kuten lentokoneessa tai sairaalassa.

Laitteen käyttäminen

Bluetooth

Tietoja Bluetooth-yhteydestä

Bluetooth on 2,4 GHz:n taajuusalueella käyttävä langaton teknologiastandardi, jonka avulla lähellä toisiaan olevat erilaiset laitteet voidaan yhdistää. Sen avulla voidaan muodostaa yhteys muihin Bluetooth-yhteensopiviin laitteisiin, kuten mobiililaitteisiin, tietokoneisiin, tulostimiin ja muihin kodin digitaalisiin laitteisiin, ja vaihtaa niiden kanssa tietoja ilman kaapeleita.

Huomautuksia Bluetooth-toiminnon käytöstä

- Yhdistäessäsi laitteen toiseen laitteeseen sijoita laitteet lähelle toisiaan, jotta vältät ongelmat.
- Varmista, että tämä laite ja toinen Bluetooth-laite ovat Bluetooth-yhteyskäytävien sisällä (10 m). Etäisyys voi vaihdella laitteiden käyttöympäristön mukaan.
- Varmista, ettei kuulokemikrofonin ja yhdistettävän laitteen välissä ole mitään esteitä, kuten ihmisiä, seiniä, rakennuksen kulmia tai aitoja.
- Älä kosketa yhdistettävän laitteen Bluetooth-antennia.
- Bluetooth käyttää samaa taajuutta kuin jotkin teolliset, tieteelliset, lääkinnälliset ja pienitehoiset tuotteet, ja laitteiden yhdistämisessä tämän tyyppisten tuotteiden lähellä voi ilmetä häiriöitä.
- Kaikki laitteet eivät ehkä ole yhteensopivia tämän kuulokemikrofonin kanssa. Näitä ovat etenkin laitteet, jotka eivät ole Bluetooth SIG:n testaamia tai hyväksymiä.
- Bluetooth-ominaisuutta ei saa käyttää laittomiin tarkoituksiin (esimerkiksi tiedostojen piraattikopiointiin tai tietoliikenteen luvattomaan kuunteluun kaupallisissa tarkoituksissa).

Liittäminen muihin laitteisiin



Äänenlaatu sekä Level Link -laitteen ja yhdistettyjen äänentoistolaitteiden käyttöetäisyys voivat vaihdella käytettävien Bluetooth-yhteensopivien laitteiden mukaan.

Yhdistäminen vastaanottotilassa

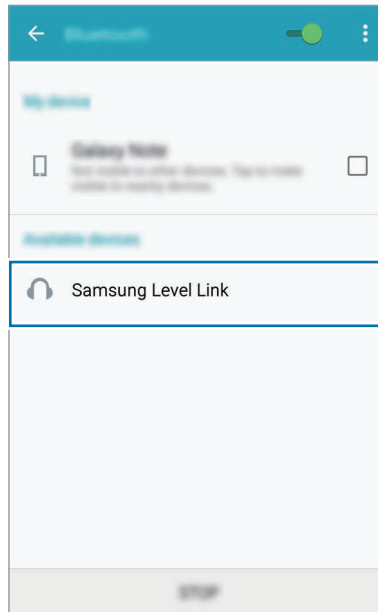
Voit vastaanottaa saapuvat puhelut tai kuunnella musiikkia, kun Level Link -laite on yhdistetty Bluetooth-yhteensopiviin laitteisiin. Kun käynnistät Level Link -laitteen ensimmäisen kerran, se siirtyy Bluetooth-laiteparin muodostustilaan.



- Kun muodostat ensimmäisen kerran laiteparin Level Link -laitteen ja muiden laitteiden välille Bluetooth-yhteydellä, Level Link -laite muodostaa automaattisesti yhteyden pariin liitettyihin laitteisiin. Jos Level Link -laite ei voi muodostaa yhteyttä, se siirtyy Bluetooth-laiteparin muodostustilaan.
- Level Link -laite voi tallentaa enintään kahdeksan laitteen laitetiedot. Jos Level Link -laite on yhdistetty vähintään kahteen laitteeseen, se muodostaa yhteyden laitteeseen, jonka kanssa on viimeksi muodostettu laitepari.

- 1 Level Link** Ota vastaanottotila käyttöön liu'uttamalla tilakytkin vasemmalle.
- 2 Level Link** Siirry Bluetooth-laiteparin muodostustilaan painamalla monitoimipainiketta noin kolme sekuntia.
- 3 Toinen laite** Ota Bluetooth-toiminto käyttöön ja etsi Bluetooth-laitteet. Katso lisätietoja toisen laitteen käyttöoppaasta.

4 **Toinen laite** Napauta **Samsung Level Link** -nimeä luettelossa.



5 **Level Link** Liitä nappikuulokkeet Level Link -laitteeseen.

Voit myös kytkeä Level Link -laitteen ulkoisen äänentoistolaitteen lisälaitetuloiliitäntään audiokaapelilla.



Jos kytket tässä tilassa Level Link -laitteen audiokaapelilla TV:n tai tietokoneen äänilähtöliitäntään, Level Link -laite voi vahingoittua.

Yhdistäminen lähetystilassa

Voit kytkeä laitteen multimediasoittimeen äänikaapelilla. Voit kuunnella multimediatiedostoja toisen äänentoistolaitteen, kuten Bluetooth-kuulokemikrofonin, kautta. Kun käynnistät Level Link -laitteen ensimmäisen kerran, se siirtyy Bluetooth-laiteparin muodostustilaan.



- Kun muodostat ensimmäisen kerran laiteparin Level Link -laitteen ja muiden laitteiden välille Bluetooth-yhteydellä, Level Link -laite muodostaa automaattisesti yhteyden pariin liitettyihin laitteisiin. Jos Level Link -laite ei voi muodostaa yhteyttä, se siirtyy Bluetooth-laiteparin muodostustilaan.
- Level Link -laite voi tallentaa enintään kahdeksan laitteen laitetiedot. Jos Level Link -laite on yhdistetty vähintään kahteen laitteeseen, se muodostaa yhteyden laitteeseen, jonka kanssa on viimeksi muodostettu laitepari.

- 1 Level Link** Ota lähetystila käyttöön liu'uttamalla tilakytkin oikealle.
- 2 Level Link** Siirry Bluetooth-laiteparin muodostustilaan painamalla monitoimipainiketta noin kolme sekuntia.
- 3 Level Link** Aseta Level Link -laite enintään 30 cm:n etäisyydelle pariiksi liitetystä äänentoistolaitteesta.

Level Link ja äänentoistolaite on nyt yhdistetty Bluetoothin kautta. Jos yhteyden muodostaminen ei onnistu, katkaise äänentoistolaitteen virta ja kytke virta uudelleen. Toista sitten edellä kuvatut vaiheet.

- 4** Liitä audiokaapeli Level Link -laitteen ääniliitäntään. Kytke sitten audiokaapelin toinen pää multim mediasoitimen äänilähtöliitäntään.



- Yhteyden muodostamistapa Bluetooth-toiminnolla voi vaihdella yhdistettävien laitteiden mukaan. Katso lisätietoja liitetyn laitteen käyttöoppaasta.
- Kun Level Link yhdistetään televisioon lähetystilassa, voi esiintyä huulisynkronointiongelmia. Suositellaan Level Link -laitteen liittämistä televisioon, joka tukee aptX Low Latency -pakkauksenhallintaa.
- Jos käytät Level Link -laitetta multim mediasoitimen kanssa, laske multim mediasoitimen äänenvoimakkuutta ennen audiokaapelin irrottamista, jotta yhtäkkiset voimakkaat äänet vältetään.
- Liitetyn multim mediasoitimen äänenvoimakkuuden asetus voi aiheuttaa sen, että äänenvoimakkuus pienentyy tai äänessä on häiriöitä. Voit välttää tämän säätämällä multim mediasoitimen äänenvoimakkuuden sopivaksi.

Lisälaitteiden yhdistäminen

Level Link -laite voidaan vastaanotto- tai lähetystilassa yhdistää enintään kahteen laitteeseen Bluetooth-yhteyden avulla.

- 1 Yhdistä Level Link -laite vastaanotto- tai lähetystilassa ensimmäiseen laitteeseen.
- 2 Yhdistä Level Link -laite toiseen laitteeseen Bluetooth-yhteyden avulla käyttämällä samaa yhdistämistapaa kuin ensimmäisen laitteen yhdistämisessä.



- Jos Level Link -laitetta ei vastaanottotilassa näy tunnistettujen laitteiden luettelossa, siirry Bluetooth-laiteparin muodostustilaan pitämällä monitoimipainiketta painettuna noin kolme sekuntia.
- Lähetystilassa Level Link -laite tukee aptX low-latency -pakkauksenhallintaa, kun se on yhdistettynä yhteen äänilaitteeseen. Jos Level Link -laitteeseen on yhdistetty kaksi äänilaitetta samanaikaisesti, aptX-pakkauksenhallinta ei ole tuettu eikä äänilähtöä ehkä ole tahdistettu oikein.
- Lähetystilassa Level Link -laitteen ja muiden laitteiden välinen käyttöetäisyys voi lyhentyä.

Muiden laitteiden yhdistäminen uudelleen tai yhteyden katkaiseminen

Laitteiden yhdistäminen uudelleen

Kun Level Link -laitteesi yhteys äänentoistolaitteeseen katkeaa laitteiden välisen etäisyyden takia, siirrä laitteet lähemmäksi toisiaan ja paina monitoimipainiketta niiden uutta yhdistämistä varten. Tai voit käyttää äänentoistolaitteen Bluetooth-valikkoa laitteiden yhdistämistä varten.

Laitteiden yhteyden katkaiseminen

Kytke laitteen virta pois päältä tai katkaise laitteiden yhteys irrottaaksesi Level Link -laitteesi äänentoistolaitteesta. Jos yhdistit kaksi laitetta audiokaapelin kautta, irrota kaapeli molemmista laitteista.

Vastaanotto- ja lähetystilan käyttäminen

Vastaanottotilassa voit käynnistää S Voice -sovelluksen, vastata saapuviin puheluihin tai toistaa multimediatiedostoja. Käytä tässä tilassa Level Link -laitetta nappikuulokkeiden kanssa tai yhdistä Level Link -laite äänilaitteeseen audiokaapelilla.

Lähetystilassa voit kuunnella multimediasoitin toistamaa ääntä yhdistetyn äänentoistolaitteen kautta.



- Käytettävissä olevat toiminnot voivat määräytyä yhdistetyn laitteen mukaan. Jotkin toiminnot eivät ehkä ole käytettävissä, jos Level Link -laite on yhdistetty samanaikaisesti kahteen laitteeseen.
- Jotkin toiminnot ovat käytettävissä vain, kun Level Link -laite on yhdistetty laitteeseen Handsfree-profiilin (HFP) avulla.
- Mikrofonin asento vaihtelee sen mukaan, miten puuet Level Link -laitteen päällesi. Level Link -laitteen asento voi vaikuttaa äänenlaatuun puhelujen aikana.

S Voice -sovelluksen käynnistäminen

Paina monitoimipainiketta 1 sekunnin ajan. Jos yhdistetty laite tukee S Voice -sovellusta, voit käyttää sovellusta Level Link -laitteen kautta.

Puheluihin vastaaminen ja niiden hylkääminen

Puheluun vastaaminen

Voit vastata yhdistettyyn laitteeseen saapuviin puheluihin painamalla Puhelu-painiketta.

Puhelun hylkääminen

Voit hylätä yhdistettyyn laitteeseen saapuvat puhelut painamalla Puhelu-painiketta jonkin aikaa.

Toimintojen käyttäminen puhelun aikana

Äänenvoimakkuuden säätäminen

Voit säätää äänenvoimakkuutta puhelun aikana painamalla äänenvoimakkuusnäppäintä.

Äänilähdön kohteen vaihtaminen

Voit siirtää puhelut Level Link -laitteesta yhdistettyyn laitteeseen painamalla Puhelu-painiketta jonkin aikaa. Tämän ominaisuuden käyttömahdollisuus määräytyy yhdistetyn laitteen mukaan.

Puhelun lopettaminen

Voit lopettaa puhelun painamalla Puhelu-painiketta.

Mediatiedostojen toistaminen

Voit toistaa multimediatiedostoja vastaanotto- tai lähetystilassa. Käytävissä olevat toiminnot voivat määräytyä käytettävän tilan mukaan.

Multimediatiedoston toiston aloittaminen ja pysäyttäminen

Voit toistaa viimeisimmän yhdistetyssä laitteessa olevan multimediatiedoston.

Voit keskeyttää toiston painamalla monitoimipainiketta. Voit jatkaa toistoa painamalla monitoimipainiketta uudelleen.

Siirtyminen edelliseen tai seuraavaan multimediatiedostoon

Voit siirtyä edelliseen tai seuraavaan tiedostoon toiston aikana painamalla Siirto taaksepäin -painiketta tai Siirto eteenpäin -painiketta.

Kelaaminen taakse- tai eteenpäin multimediatiedostossa

Voit kelaata taakse- tai eteenpäin tiedostossa toiston aikana painamalla jonkin aikaa Siirto taaksepäin -painiketta tai Siirto eteenpäin -painiketta.

Äänenvoimakkuuden säätäminen

Voit säätää äänenvoimakkuutta äänenvoimakkuusnäppäimellä.



- Kun Level Link -laite on yhdistetty kahteen laitteeseen, voit toistaa multimediatiedostoja kummasta tahansa laitteesta. Jos haluat toistaa multimediatiedoston toisesta laitteesta, keskeytä ensin toisto toisesta laitteesta.
- Kun toistat multimediatiedostoa yhdestä laitteesta, voit silti vastata puheluihin toisesta laitteesta.
- Jos audiokaapelin ja yhdistetyn äänentoistolaitteen lähtötehoissa on eroa lähetystilassa, Level Link -laitteen äänenvoimakkuus voi vaihdella.

Alkuperäisten tietojen palauttaminen

Kun Level Link -laite yhdistetään toiseen laitteeseen Bluetooth-yhteyden avulla, Level Link -laitteen tiedot, kuten Bluetooth-osoite ja laitetyyppi, tallennetaan yhdistettyyn laitteeseen. Jos haluat poistaa Level Link -laitteen yhteystiedot, siirry Bluetooth-laitteparin muodostustilaan painamalla monitoimipainiketta noin kolme sekuntia. Paina sitten Siirto taaksepäin -painiketta, Siirto eteenpäin -painiketta ja monitoimipainiketta samanaikaisesti kolme sekuntia.

Liite

Vianmääritys

Kokeile seuraavia ratkaisuehdotuksia, ennen kuin otat yhteyden Samsung-huoltoon. Jotkin tilanteet eivät ehkä koske sinun laitettasi.

Laite ei käynnisty

Kun akku on täysin tyhjä, laite ei käynnisty. Lataa akku täyteen ennen laitteen käynnistämistä.

Akku ei lataudu asianmukaisesti (Samsungin hyväksymät laturit)

- Tarkista, että laturi on liitetty oikein.
- Ota yhteyttä Samsung-huoltoon akun vaihtamista varten.

Toinen Bluetooth-laite ei löydä tätä laitetta

- Varmista, että tämä laite on Bluetooth-laiteparin muodostustilassa.
- Nollaa laite ja etsi Bluetooth-laitteet.
- Varmista, että tämä laite ja toinen Bluetooth-laite ovat Bluetooth-yhteysetäisyyden sisällä (10 m).

Jos nämä ohjeet eivät ratkaise ongelmaa, ota yhteys Samsung-huoltoon.

Laite ei löydä toista Bluetooth-laitetta

- Varmista, että laite, johon haluat muodostaa yhteyden, tukee langatonta Bluetooth-toimintoa.
- Varmista, että tämä laite ja toinen Bluetooth-laite ovat Bluetooth-enimmäiskantaman sisällä (10 m).

Bluetooth-yhteys katkeaa usein

- Laitteiden välillä olevat esteet saattavat lyhentää toimintaetäisyyttä.
- Varmista, että tämä laite ja toinen Bluetooth-laite ovat Bluetooth-enimmäiskantaman sisällä (10 m).
- Kun käytät tätä laitetta muiden Bluetooth-laitteiden kanssa, sähkömagneettiset aallot voivat vaikuttaa yhteyteen. Käytä laitetta ympäristössä, jossa on mahdollisimman vähän langattomia laitteita.

Muiden puhetta ei kuulu

- Säädä tämän laitteen äänenvoimakkuutta.
- Säädä yhdistetyn laitteen äänenvoimakkuutta, jos et kuule tästä laitteesta ääntä täydellä äänenvoimakkuudella.

Äänessä on kaikua puhelun aikana

Säädä äänenvoimakkuutta äänenvoimakkuusnäppäimellä tai siirry toiselle alueelle.

Muut eivät kuule puhettasi

- Varmista, että et peitä sisäistä mikrofontia.
- Varmista, että mikrofonti on lähellä suutasi.

Äänen laatu on heikko

- Langattoman verkon palvelut voivat olla poissa käytöstä palveluntarjoajan verkon ongelmien takia. Varmista, ettei tämän laitteen lähellä ole sähkömagneettisia aaltoja lähettäviä laitteita.
- Varmista, että tämä laite ja toinen Bluetooth-laite ovat Bluetooth-enimmäiskantaman sisällä (10 m).

Laite toimii eri tavalla kuin käyttöoppaassa on kuvattu

- Käytettävissä olevat toiminnot voivat vaihdella yhdistetyn laitteen mukaan.
- Joitakin toimintoja ei voi käyttää, kun tähän laitteeseen on yhdistetty kaksi laitetta samanaikaisesti.

Akku tyhjenee nopeammin kuin pian laitteen ostamisen jälkeen

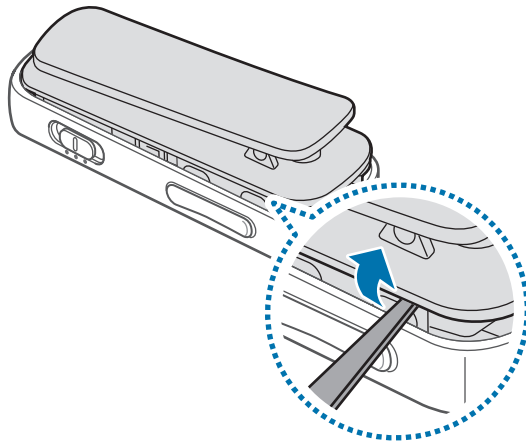
- Jos laite tai sen akku on hyvin matalassa tai hyvin korkeassa lämpötilassa, akun käyttökelpoinen varaus voi pienentyä.
- Akku on kuluva osa, ja sen varauksen kestoaika lyhenee ajan kuluessa.

Akun irrottaminen (ei-irrotettava tyyppi)



- Nämä ohjeet on tarkoitettu vain palveluntarjoajalle tai valtuutetulle huoltoliikkeelle.
- Takuu ei kata akun luvattomasta irrottamisesta johtuvia vahinkoja tai vikoja.
- Jos akku on irrotettava tai vaihdettava, ota yhteys palveluntarjoajaasi tai valtuutettuun huoltoliikkeeseen.

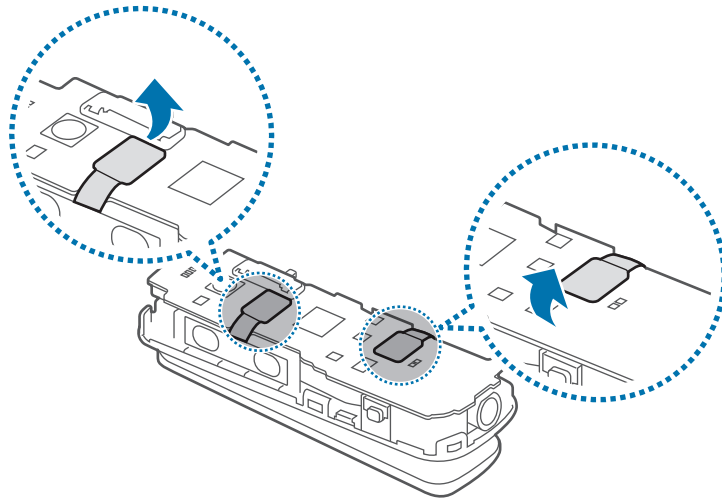
- 1 Aseta ohut, litteä työkalu kannen ja laitteen rungon väliseen rakoön.
Erota sitten osat toisistaan vääntämällä työkalulla alla olevan kuvan mukaan.



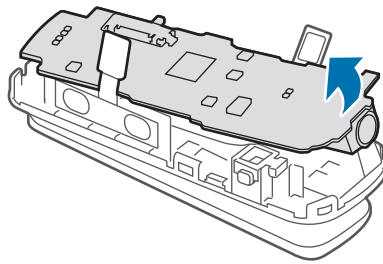
- Aseta työkalu rakoön varovasti, jotta laitteen sisäiset osat eivät vahingoitu.

- 2 Kun kansi on irrotettu, siirrä se syrjään.

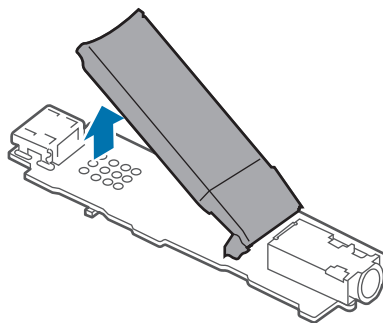
3 Irrota akun liittimet.



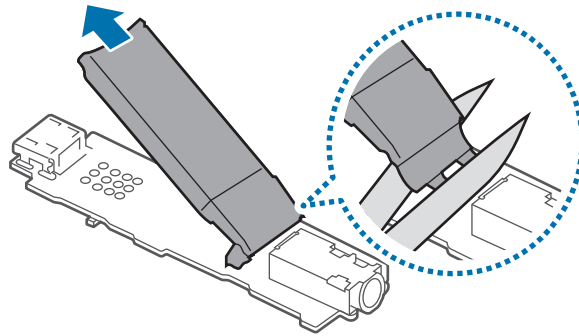
4 Irrota piirilevy irrottamalla se laitteen rungosta ja aseta se etupuoli ylöspäin tasaiselle alustalle.



5 Paina latausporttia alaspäin ja vedä akkua ylöspäin niin, että se vapautuu piirilevystä.



- 6 Vedä akkua poispäin piirilevystä ja katkaise liitännäjohtot alla olevan kuvan mukaisesta kohdasta.



- 7 Irrota akku.

Vaatimuksenmukaisuustodistus

Tuotetiedot

Koskien seuraavia

Tuote : Bluetooth-sovitin

Malli(t) : EO-RG920



Ilmoitus ja sovellettavat standardit

Vahvistamme täten, että edellä mainittu tuote täyttää radio- ja telepätelaitedirektiivin (1999/5/EY) olennaiset vaatimukset sekä seuraavat standardit:

SAFETY	EN 60950-1 : 2006 + A11 : 2009 + A1 : 2010 + A12 : 2011
SAR	EN 50566 : 2013 EN 62479 : 2010
EMC	EN 301 489-01 V1.9.2 (2011-09) EN 301 489-17 V2.2.1 (2012-09)
RADIO	EN 300 328 V1.8.1 (2012-06)

sekä tiettyjen vaarallisten aineiden käytön rajoittamisesta sähkö- ja elektroniikkalaitteissa annetun direktiivin (2011/65/EU) vaatimukset standardia EN 50581:2012 soveltaen.

Edustaja EU:ssa

Samsung Electronics Euro QA Lab.
Blackbushe Business Park
Saxony Way, Yateley, Hampshire
GU46 6GG, UK



2015.01.27

Stephen Colclough / EU:n edustaja

(paikka ja päivämäärä)

(valtuutetun henkilön nimi ja allekirjoitus)

* Tämä ei ole Samsung-huollon numero. Samsung-huollon osoite ja puhelinnumero ilmoitetaan takuukortissa. Voit myös ottaa yhteyden jälleenmyyjään, jolta hankit tuotteen.

Jos tarvitset apua tai on kysyttävää, käy sivullamme
www.samsung.fi.

Klikkaa "TUKI"=>"Ongelmanratkaisu"
ja valitse tuoteryhmä ja tuote.

Vaihtoehtoisesti soita asiakastukeemme
puhelinnumeroon: 030-6227 515

Tekijänoikeus

Copyright © 2015 Samsung Electronics

Tämä opas on kansainvälisten tekijänoikeuslakien suojaama.

Tämän oppaan osittainenkin jäljentäminen, jakeleminen, kääntäminen tai siirtäminen missä tahansa muodossa tai millä tahansa tavalla, sähköisesti tai mekaanisesti, mukaan lukien valokopiointi, äänittäminen tai säilyttäminen tietojen säilytys- ja hakujärjestelmissä, on kiellettyä ilman Samsung Electronicsin ennakkoon myöntämää kirjallista lupaa.

Tavaramerkit

- SAMSUNG ja SAMSUNG-logo ovat Samsung Electronicsin rekisteröityjä tavaramerkkejä.
- Bluetooth® on Bluetooth SIG, Inc:n rekisteröity tavaramerkki kaikkialla maailmassa.
- Kaikki muut tavaramerkit ja tekijänoikeudet ovat omistajiensa omaisuutta.

Læs dette først

Du bør læse vejledningen, før du tager enheden i brug, for at opnå en sikker og korrekt brug.

- Beskrivelserne er baseret på enhedens standardindstillinger.
- Billederne kan se anderledes ud end for det faktiske produkt. Indholdet kan ændres uden forudgående varsel.

Vejledningens ikoner



Advarsel: Situationer, hvor der er risiko for, at du eller andre kommer til skade



Forsigtig: Situationer, hvor der er risiko for, at enheden eller andet udstyr beskadiges



Bemærk: Bemærkninger, tip eller yderligere oplysninger

Kom godt i gang

Om Level Link

Din Level Link understøtter modtage- og sendetilstand. I modtagetilstand kan du slutte øretelefoner til din Level Link og bruge dem som et Bluetooth-headset til Bluetooth-aktiverede enheder, som f.eks. smartphones eller tablets. I sendetilstand kan du anvende enheden som en dongle, der opretter forbindelse til computere, tv'er, Bluetooth-headsets og andet.

I modtagetilstand kan du anvende følgende funktioner:

- Starte S Voice
- Modtage eller afslutte opkald
- Styre multimediefiler

I sendetilstand kan du afspille lyden fra den tilsluttede multimedieenhed.

Pakkens indhold

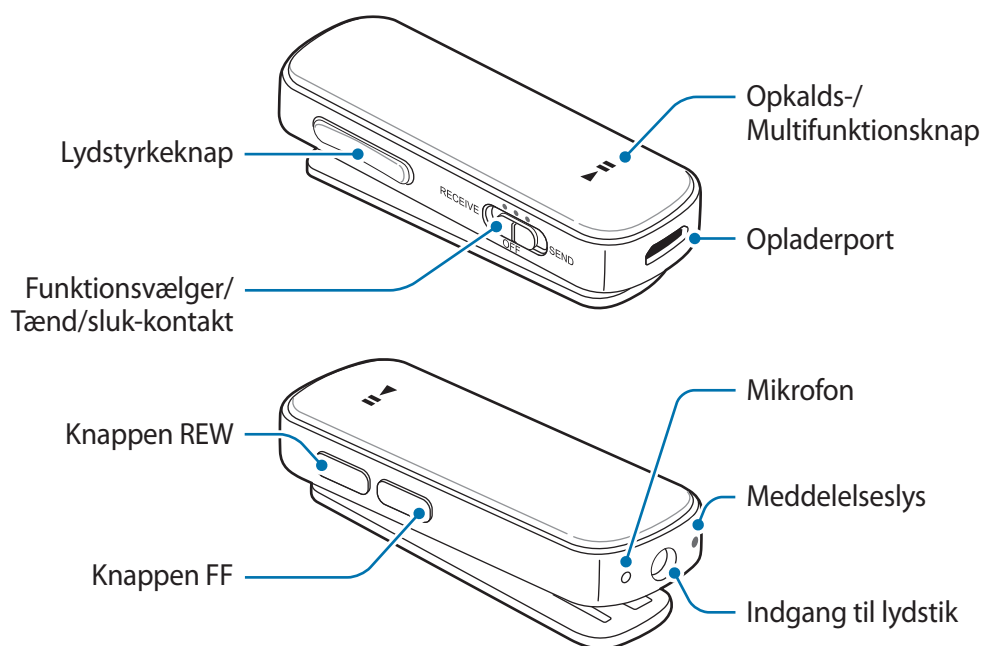
Kontroller, at følgende dele er i æsken:

- Enhed
- Øretelefoner
- USB-kabel
- Lydkabel
- Hurtigstart



- De dele, der følger med enheden samt eventuelt tilbehør, kan variere alt afhængigt af dit geografiske område eller din tjenesteudbyder.
- De medfølgende dele er kun beregnet til brug sammen med denne enhed og er muligvis ikke kompatible med andre enheder.
- Udseendet og specifikationer kan ændres uden forudgående varsel.
- Du kan købe mere tilbehør hos din lokale Samsung-forhandler. Du skal sikre dig, at det er kompatibelt med enheden inden købet.
- Brug kun tilbehør, der er godkendt af Samsung. Brug af ikke-godkendt tilbehør kan muligvis medføre ydelsesproblemer og fejlfunktioner, der ikke dækkes af garantien.
- Tilgængelighed af alt tilbehør kan helt og holdent ændres af producentvirksomhederne. For flere informationer om tilgængeligt tilbehør kan du se Samsungs websted.

Enhedens udseende



Knapper og funktioner

Navn	Funktion
Funktionsvælger/ Tænd/sluk- kontakt	<ul style="list-style-type: none"> • Skub til venstre for at aktivere modtagetilstand, og skub til højre for at aktivere sendetilstand. • Skub til OFF for at slukke for enheden.
Knappen Opkald/ Multifunktion	<ul style="list-style-type: none"> • I modtagetilstand skal du trykke og holde nede i 1 sekund for at starte S Voice. • I modtagetilstand skal du trykke for at besvare eller afslutte et opkald. • I modtagetilstand skal du trykke og holde nede for at afvise et opkald. • I modtagetilstand skal du trykke og holde nede for at overføre opkald fra din Level Link til din anden enhed eller omvendt. • I modtagetilstand skal du trykke for at afspille eller stoppe multimediefiler. • I modtage- eller sendetilstand skal du trykke og holde nede i 3 sekunder for at gå i Bluetooth-parringstilstand.
Lydstyrkeknop	<ul style="list-style-type: none"> • I modtagetilstand skal du trykke for at justere lydstyrken under et opkald. • I modtagetilstand skal du trykke for at justere lydstyrken under afspilning af multimediefiler.
Knapperne REW/FF	<ul style="list-style-type: none"> • I modtagetilstand skal du under afspilning trykke for at afspille forrige eller næste multimediefil. • I modtagetilstand skal du under afspilning trykke og holde nede for at spole tilbage eller hurtigt fremad i en multimediefil.

Statusindikator

Status	Farve
Bluetooth- parringstilstand	<ul style="list-style-type: none"> • Blinker rødt, grønt og blå
Tænd eller aktiver tilstande	<ul style="list-style-type: none"> • Blinker blå 3 gange
Slukket	<ul style="list-style-type: none"> • Blinker rødt 3 gange
Indgående opkald	<ul style="list-style-type: none"> • Blinker blå

Oplade batteriet

Oplad batteriet, inden du bruger din Level Link første gang, eller hvis din Level Link ikke har været anvendt i længere tid.

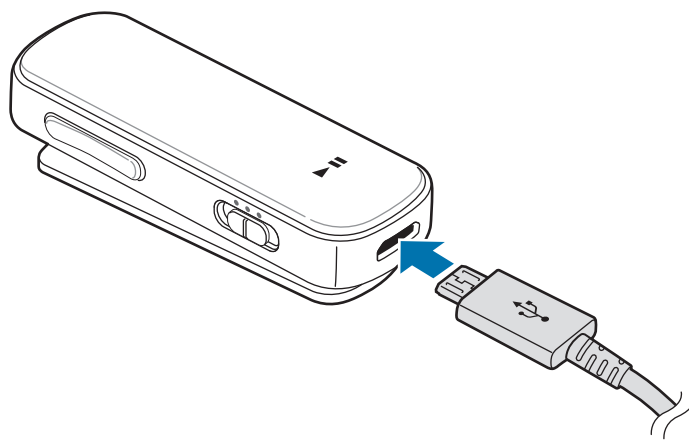


Brug kun opladere, batterier og kabler, som er godkendte af Samsung. Ikke-godkendte opladere eller kabler kan få batteriet til at eksplodere eller beskadige headsettet.



Hvis batteriet er helt afladet, kan headsettet ikke tændes straks, når opladeren tilsluttes. Lad et afladet batteri oplade i nogle minutter, inden du tænder for headsettet.

Slut enheden til en computer eller til USB-strømadapteren via USB-kablet.



Enheden kan blive alvorligt beskadiget, hvis opladeren tilsluttes forkert. Skader som følge af forkert brug dækkes ikke af garantien.



- Enheden kan anvendes, mens den oplades, men det kan tage længere tid at lade batteriet helt op.
- Under opladning kan enheden blive varm. Dette er normalt og bør ikke påvirke enhedens levetid eller ydelse. Hvis batteriet bliver varmere end normalt, ophører opladeren muligvis med at oplade.
- Hvis enheden ikke oplader korrekt, så tag enheden og opladeren med til et Samsung servicecenter.

Efter fuld opladning skal enheden kobles fra opladeren. Fjern først opladeren fra enheden og derefter fra stikkontakten.



Kobl opladeren fra, når den ikke er i brug, for at spare strøm. Da opladeren ikke har en tænd/sluk-kontakt, skal du for at undgå strømspild tage opladerstikket ud af stikkontakten, når opladeren ikke benyttes. Opladeren skal placeres tæt på stikkontakten og være lettilgængelig under opladning.

Kontrol af batteriniveauet

Tryk og hold nede på knapperne Lydstyrke op og Multifunktion samtidigt i 1 sekund. Meddelelseslyset blinker tre gange i forskellige farver i forhold til opladetilstanden.

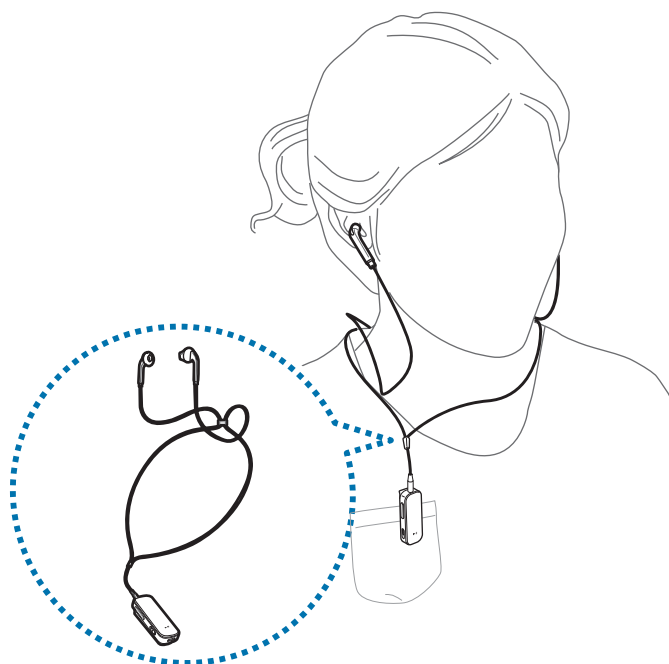
Status	Farve
Mindre end 30 %	• Rød
30-60 %	• Gul
Mere end 60 %	• Grøn

Bære enheden og øretelefoner

Slut de medfølgende øretelefoner til din Level Link, og bær dem omkring din nakke.

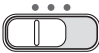
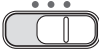

- 1 Sæt øretelefonerne i indgangen til lydstikket på din Level Link.
- 2 Juster øretelefonclipsen, så den danner en løkke, der er stor nok til at passe til dit hoved.

- 3 Sæt din Level Link fast på dit tøj.
- 4 Bær øretelefonerne omkring din nakke, og tilslut ørepropperne.



Vær forsigtig, når enheden anvendes med øretelefoner med ledning. Du kan blive kvalt, hvis øretelefonerne vikler sig om din hals.

Tænde og slukke for enheden

-  : Aktiver modtagetilstand.
-  : Aktiver sendetilstand.
-  : Sluk for enheden.



Følg alle opslåede advarsler og retningslinjer fra myndighedspersoner i områder, hvor brugen af trådløse enheder er begrænset, som f.eks. i flyvemaskiner og på hospitaler.

Bruge enheden

Bluetooth

Om Bluetooth

Bluetooth er en trådløs teknologistandard, der anvender en 2,4 GHz-frekvens til at oprette forbindelse til forskellige enheder over korte afstande. Den kan oprette forbindelse til og udveksle data med andre Bluetooth-aktiverede enheder, som f.eks. mobile enheder, computere, printere og andre digitale hjemmeapparater uden brug af kabler.

Bemærkninger vedrørende brug af Bluetooth

- For at undgå problemer når du slutter en enhed til en anden enhed, skal du anbringe dem tæt på hinanden.
- Sørg for, at din enhed og den anden Bluetooth-enhed er inden for Bluetooth-rækkevidden (10 m). Afstanden kan variere afhængigt af omgivelserne, som enheden benyttes i.
- Sørg for, at der ikke er forhindringer mellem headsettet og en tilsluttet enhed, herunder mennesker, vægge, hjørner eller hegn.
- Rør ikke ved Bluetooth-antennen på en tilsluttet enhed.
- Bluetooth anvender den samme frekvens som visse industrielle, videnskabelige, medicinske produkter samt svagstrømsprodukter, og der kan forekomme interferens, når der oprettes forbindelser nær denne type af produkter.
- Nogle enheder, særligt dem, der ikke er testet eller godkendt af Bluetooth SIG, kan være inkompatible med headsettet.
- Brug ikke Bluetooth-funktionen til ulovlige formål (f.eks. piratkopiering af filer eller ulovlig aflytning af samtaler til kommercielle formål).

Forbinde til andre enheder



Lydkvalitet og brugsområde mellem din Level Link og tilsluttede lydenheder kan variere afhængigt af de Bluetooth-aktiverede lydenheder.

Tilslutte i modtagetilstand

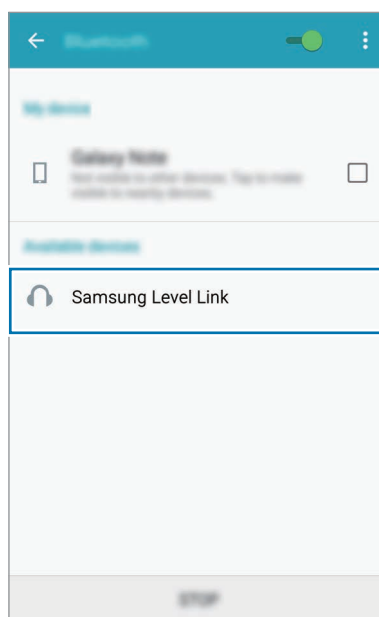
Du kan modtage indgående opkald eller lytte til musik, når din Level Link er sluttet til Bluetooth-aktiverede enheder. Når du tænder Level Link for første gang, åbnes den i tilstanden Bluetooth-parring.



- Ved parring af din Level Link med andre enheder via Bluetooth for første gang opretter din Level Link automatisk forbindelse til de parrede enheder. Hvis din Level Link ikke kan oprette forbindelse, går den i Bluetooth-parringstilstand.
- Din Level Link kan gemme enhedsinformationer for op til otte enheder. Hvis din Level Link har været sluttet til mere end én enhed, opretter den forbindelse til den enhed, den senest var parret med.

- 1 Level Link** Skub tilstandsvælgeren til venstre for at aktivere modtagetilstand.
- 2 Level Link** Tryk og hold nede på knappen Multifunktion i cirka 3 sekunder for at gå i Bluetooth-parringstilstand.
- 3 Anden enhed** Aktiver Bluetooth-funktionen, og søg efter Bluetooth-enheder.
For flere informationer kan du se den anden enheds brugervejledning.

4 **Anden enhed** Tryk på **Samsung Level Link** på listen.



5 **Level Link** Slut øretelefonerne til din Level Link.

Du kan også slutte Level Link til aux-indgangstikket på en lydudgangsenhed med et lydkabel.



Hvis du i denne tilstand forbinder din Level Link til et tv eller computerens lydudgangstik via et lydkabel, kan din Level Link blive beskadiget.

Tilslutte i sendetilstand

Slut din enhed til en multimedieafspiller med lydkablet. Du kan lytte til multimediefiler via en anden lydenhed, såsom et Bluetooth-headset. Når du tænder Level Link for første gang, åbnes den i tilstanden Bluetooth-parring.



- Ved parring af din Level Link med andre enheder via Bluetooth for første gang opretter din Level Link automatisk forbindelse til de parrede enheder. Hvis din Level Link ikke kan oprette forbindelse, går den i Bluetooth-parringstilstand.
- Din Level Link kan gemme enhedsinformationer for op til otte enheder. Hvis din Level Link har været sluttet til mere end én enhed, opretter den forbindelse til den enhed, den senest var parret med.

- 1 **Level Link** Skub tilstandsvælgeren til højre for at aktivere sendetilstand.
- 2 **Level Link** Tryk og hold nede på knappen Multifunktion i cirka 3 sekunder for at gå i Bluetooth-parringstilstand.
- 3 **Level Link** Placer din Level Link højst 30 cm fra den parrede lydenhed.
Level Link og lydenheden er nu forbundne via Bluetooth. Hvis forbindelsen mislykkes, så sluk for lydenheden, og tænd for den igen. Gentag herefter trinnene ovenfor.
- 4 Sæt lydkalet i indgangen til lydstikket på din Level Link. Sæt derefter den anden ende af lydkalet i lydudgangstikket på multimedieafspilleren.



- Denne tilslutningsmetode via Bluetooth kan variere alt efter de tilsluttede enheder. Få flere oplysninger i brugervejledningen for den tilsluttede enhed.
- Når Level Link er forbundet med et tv i sendetilstanden, kan der opstå synkroniseringsproblemer. Det anbefales at forbinde Level Link til et tv, der understøtter aptX Low Latency-kodekset.
- Når din Level Link anvendes med en multimedieafspiller, bør du skrue ned for multimedieafspillerens lyd, før lydkalet frakobles for at forebygge pludselige, høje lyde.
- Du kan, afhængigt af den tilsluttede medieafspillers lydstyrke, opleve fald i lydstyrken eller støj. For at undgå dette skal du justere multimedieafspillerens lydstyrke til et passende niveau.

Tilslutning af flere enheder

I modtage- eller sendetilstand kan din Level Link oprette forbindelse til op til to enheder via Bluetooth.

- 1 I modtage- eller sendetilstand skal du slutte din Level Link til den første enhed.
- 2 Opret via din Level Link forbindelse til en anden enhed via Bluetooth med den tilslutningsmetode, der blev anvendt til den første enhed.



- Hvis din Level Link i modtagetilstand ikke vises på listen med registrerede enheder, skal du trykke og holde nede på knappen Multifunktion i cirka 3 sekunder for at gå i Bluetooth-parringstilstand.
- I sendetilstand understøtter Level Link lavlatens-codec'et aptX, når den sluttes til en lydenhed. Hvis to lydenheder sluttes til din Level Link samtidigt, understøttes codec'et aptX ikke, og video- og lydoutput vil muligvis ikke være synkroniseret.
- I sendetilstand kan brugsområdet mellem din Level Link og andre enheder være reduceret.

Gentilslutning og frakobling fra andre enheder

Gentilslutte enhederne

Når din Level Link kobles fra en lydenhed på grund af afstanden mellem enhederne, skal enhederne anbringes tættere på hinanden, og der trykkes på knappen Multifunktion for at parre dem igen. Alternativt kan du anvende Bluetooth-menuen på lydenheden for til at parre enhederne.

Frakoble enhederne

For at koble Level Link fra lydenheden, skal du slukke din enhed eller ophæve parringen mellem enhederne. Hvis du har tilsluttet de to enheder via et lyd-kabel, tages kablet ud af begge enheder.

Bruge modtage- og sendetilstande

I modtagetilstand kan du starte S Voice, besvare indgående opkald eller afspille multimediefiler. I denne tilstand kan du anvende din Level Link med øretelefoner eller slutte din Level Link til en lydenhed med et lyd kabel.

I sendetilstand kan du lytte til lyd fra multimedieafspilleren via den tilsluttede lydenhed.



- De tilgængelige funktioner kan variere, det afhænger af den enhed, du opretter forbindelse til. Nogle funktioner er muligvis ikke tilgængelige, hvis din Level Link samtidigt er sluttet til to enheder.
- Nogle funktioner er kun tilgængelige, når din Level Link sluttes til en enhed med HFP-profilen (Hands-Free Profile).
- Mikrofonens placering varierer i forhold til, hvordan du bærer din Level Link. Placeringen af din Level Link kan påvirke lyd kvaliteten under opkald.

Starte S Voice

Tryk på knappen Multifunktion i 1 sekund. Hvis den tilsluttede enhed understøtter S Voice, kan du anvende appen via din Level Link.

Besvare eller afvise opkald

Besvare et opkald

Tryk på knappen Opkald for at besvare opkald, der foretages til den tilsluttede enhed.

Afvise et opkald

Tryk og hold nede på knappen Opkald for at afvise opkald, der foretages til den tilsluttede enhed.

Bruge muligheder under et opkald

Justere lydstyrken

Under et opkald kan du anvende lydstyrkeknappen til at justere lydstyrken.

Skifte lydudgang

Tryk og hold nede på knappen Opkald for at overføre opkald fra din Level Link til den tilsluttede enhed. Afhængigt af den tilsluttede enhed er denne funktion muligvis ikke tilgængelig.

Afslutte et opkald

Tryk på knappen Opkald for at afslutte et opkald.

Afspille multimediefiler

Afspil multimediefiler i modtage- eller sendetilstand. De tilgængelige funktioner kan variere, det afhænger af den tilstand, du bruger.

Afspille og stoppe en multimediefil

Tryk på knappen Multifunktion for at afspille de nyeste multimediefiler på den tilsluttede enhed. Tryk på knappen Multifunktion for at holde pause i afspilningen. Tryk på knappen Multifunktion igen for at fortsætte afspilningen.

Springe til den forrige eller næste multimediefil

Tryk på knappen REW eller knappen FF for at springe til den forrige eller næste fil under afspilning.

Spole tilbage eller hurtigt fremad i multimediefilen

Tryk og hold nede på knappen REW eller knappen FF for at spole tilbage eller hurtigt fremad i filen under afspilning.

Justere lydstyrken

Tryk på lydstyrkeknappen for at justere lydstyrken.



- Når din Level Link er sluttet til to enheder, kan du afspille multimediefiler fra den ene eller den anden enhed. For at afspille en multimediefil fra en anden enhed skal du først sætte afspilningen fra den anden enhed på pause.
- Når du afspiller en multimediefil fra én enhed, kan du stadig besvare opkald fra den anden enhed.
- Hvis der er forskelle i udgangseffekten i lydkalet og den tilsluttede enhed i sendetilstand, kan lydstyrken i din Level Link variere.

Udføre nulstilling af data

Når din Level Link er sluttet til en enhed via Bluetooth, lagres informationerne om din Level Link, som f.eks. Bluetooth-adresse og enhedstype, på den tilsluttede enhed. For at slette informationerne om din Level Link skal du trykke og holde nede på knappen Multifunktion i cirka 3 sekunder for at gå i Bluetooth-parringstilstand. Derefter skal du trykke og holde nede på knapperne REW-, FF- og Multifunktion samtidigt i 3 sekunder.

Appendiks

Fejlfinding

Inden du kontakter et Samsung servicecenter, bedes du forsøge følgende løsninger. Nogle situationer er måske ikke relevante for din enhed.

Hvis din enhed ikke vil tænde

Hvis batteriet er helt afladet, tænder din enhed ikke. Oplad batteriet helt, inden du tænder for enheden.

Batteriet oplades ikke korrekt (for Samsung-godkendte opladere)

- Sørg for, at opladeren er tilsluttet korrekt.
- Besøg et Samsung servicecenter, og få batteriet udskiftet.

En anden Bluetooth-enhed kan ikke finde din enhed

- Sørg for, at din enhed er i Bluetooth-parringstilstand.
- Nulstil enheden, og søg efter Bluetooth-enheder.
- Sørg for, at din enhed og den anden Bluetooth-enhed er inden for Bluetooth-rækkevidden (10 m).

Hvis tippet ovenfor ikke løser problemet, så kontakt et Samsung servicecenter.

En anden Bluetooth-enhed kan ikke findes

- Sørg for, at enheden, du vil oprette forbindelse til, understøtter Bluetooths trådløse funktion.
- Sørg for, at din enhed og den anden Bluetooth-enhed er inden for den maksimale Bluetooth-rækkevidde (10 m).

Bluetooth-forbindelse afbrydes ofte

- Hvis der er forhindringer mellem enhederne, kan driftsafstanden blive reduceret.
- Sørg for, at din enhed og den anden Bluetooth-enhed er inden for den maksimale Bluetooth-rækkevidde (10 m).
- Ved brug af enheden med andre Bluetooth-enheder, kan forbindelsen blive påvirket af elektromagnetiske bølger. Brug enheden i miljøer med færre trådløse enheder.

Du kan ikke høre andre tale

- Juster enhedens lydstyrke.
- Juster lydstyrken på den tilsluttede enhed, hvis du ikke kan høre lyde på enheden ved fuld lydstyrke.

Der er ekko under et opkald

Juster lydstyrken ved at trykke på lydstyrkeknappen, eller gå til et andet område.

Under et opkald kan andre ikke høre det, du siger

- Sørg for, du ikke skærmer for den indbyggede mikrofon.
- Sørg for, at mikrofonen er tæt på din mund.

Lydkvaliteten er ringe

- Trådløse netværkstjenester kan være deaktiverede på grund af problemer med tjenesteudbyderens netværk. Sørg for at holde enheden borte fra elektromagnetiske bølger.
- Sørg for, at din enhed og den anden Bluetooth-enhed er inden for den maksimale Bluetooth-rækkevidde (10 m).

Enheden fungerer anderledes end beskrevet i vejledningen

- Tilgængelige funktioner kan, afhængigt af den tilsluttede enhed, være anderledes.
- Nogle funktioner kan ikke anvendes, når to enheder er sluttet til enheden på samme tid.

Batteriet aflades hurtigere end på købstidspunktet

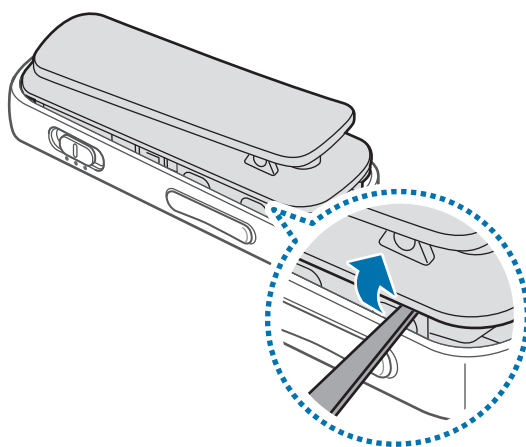
- Når du udsætter enheden eller batteriet for meget kolde eller meget varme temperaturer, reduceres den anvendelige opladning.
- Batteriet er en forbrugsvare, og den brugbare opladning vil aftage over tid.

Fjerne batteriet (ikke-udtagelig type)



- Disse instruktioner er kun beregnet til din tjenesteudbyder eller en autoriseret reparatør.
- Skader eller fejl forårsaget af uautoriseret fjernelse af batteriet, dækkes ikke af garantien.
- Hvis du vil have fjernet eller udskiftet batteriet, skal du kontakte din tjenesteudbyder eller en autoriseret reparatør.

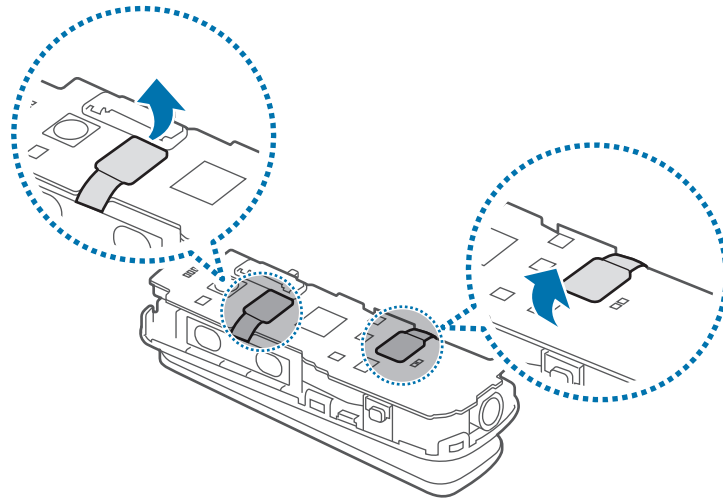
- 1 Indsæt et tyndt, fladt værktøj i mellemrummet mellem dækslet og enhedens hus.
Brug derefter værktøjet til at skille dem ad som vist på billedet herunder.



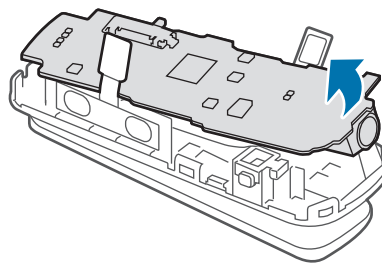
- Pas på, når du indsætter værktøjet, at du ikke beskadiger enhedens interne komponenter.

- 2 Når dækslet er skilt fra enheden, lægges det til side.

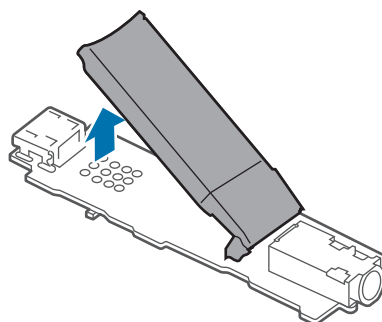
3 Frakobl batteristikkene.



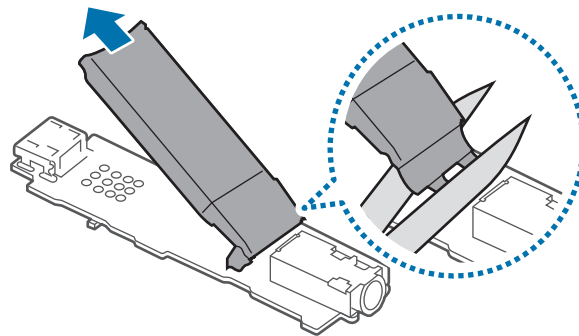
4 Fjern printkortet ved at frigøre det fra enhedens hus, og anbring det med forsiden nedad på en flad overflade.



5 Tryk ned på opladerporten, og træk batteriet opad for at fjerne det fra printkortet.



6 Træk batteriet fri fra printkortet, og afskær forbindelserne som vist på billedet herunder.



7 Fjern batteriet.

Overensstemmelseserklæring

Produkt detaljer

For følgende

Produkt : Bluetooth-dongle

Model(ler) : EO-RG920



Erklæring og gældende standarder

Vi erklærer herved, at ovennævnte produkt er i overensstemmelse med de væsentlige krav af Rådets direktiv om radio- og teleterminaludstyr (R&TTE) (1999/5/EF) ved anvendelse af:

SIKKERHED	EN 60950-1 : 2006 + A11 : 2009 + A1 : 2010 + A12 : 2011
SAR	EN 50566 : 2013 EN 62479 : 2010
EMC	EN 301 489-01 V1.9.2 (2011-09) EN 301 489-17 V2.2.1 (2012-09)
RADIO	EN 300 328 V1.8.1 (2012-06)

og direktiv (2011/65/EU) om begrænsning af anvendelsen af visse farlige stoffer i elektrisk og elektronisk udstyr ved anvendelse af EN 50581:2012.

Repræsentant i EU

Samsung Electronics Euro QA Lab.
Blackbushe Business Park
Saxony Way, Yateley, Hampshire
GU46 6GG, UK



2015.01.27

Stephen Colclough / EU-repræsentant

(Udgivelsessted og dato)

(Navn og underskrift fra bemyndiget person)

* Det er ikke Samsung servicecenters adresse. For Samsung servicecenters adresse eller telefonnummer henvises til garantibeviset eller kontakt forhandleren, hvor du købte dit produkt.

Behøver du hjælp, eller har du spørgsmål, er du velkommen til at klikke ind på www.samsung.dk.

Klik på "SUPPORT" => "Hjælp & fejlfinding", og vælg derefter produktgruppe og type.

Alternativt kan du ringe til supporten på telefon 70 70 19 70.

Ophavsret

Ophavsret © 2015 Samsung Electronics

Denne vejledning er beskyttet af internationale love om ophavsret.

Ingen del af denne vejledning må uden forudgående skriftlig tilladelse fra Samsung Electronics reproduceres, distribueres, oversættes eller overføres i nogen form eller på nogen måde, elektronisk eller mekanisk, herunder ved fotokopiering, optagelse eller lagring i et søgesystem eller informationslager.

Varemærker

- SAMSUNG og SAMSUNG-logoet er registrerede varemærker tilhørende Samsung Electronics.
- Bluetooth® er et internationalt registreret varemærke tilhørende Bluetooth SIG, Inc.
- Alle andre varemærker og ophavsrettigheder tilhører de respektive ejere.

Διαβάστε με πρώτα

Παρακαλείστε να διαβάσετε προσεκτικά αυτό το εγχειρίδιο πριν χρησιμοποιήσετε τη συσκευή σας για να διασφαλίσετε ασφαλή και σωστή χρήση.

- Οι περιγραφές βασίζονται στις προεπιλεγμένες ρυθμίσεις της συσκευής.
- Οι εικόνες μπορεί να έχουν διαφορετική εμφάνιση από το πραγματικό προϊόν. Το περιεχόμενο υπόκειται σε αλλαγή χωρίς προειδοποίηση.

Εικονίδια οδηγιών



Προειδοποίηση: καταστάσεις που θα μπορούσαν να προκαλέσουν τραυματισμό σε εσάς ή σε άλλους



Προσοχή: καταστάσεις που θα μπορούσαν να προκαλέσουν ζημιά στη συσκευή σας ή άλλο εξοπλισμό



Σημείωση: σημειώσεις, συμβουλές χρήσης ή πρόσθετες πληροφορίες

Ξεκίνημα

Πληροφορίες για το Level Link

Το Level Link υποστηρίζει τρόπο λειτουργίας λήψης και τρόπο λειτουργίας αποστολής. Στη λειτουργία λήψης, μπορείτε να συνδέσετε ακουστικά με το Level Link και να το χρησιμοποιήσετε ως σετ ακουστικών Bluetooth για συσκευές με δυνατότητα Bluetooth, όπως έξυπνα τηλέφωνα ή υπολογιστές ταμπλέτες. Στη λειτουργία αποστολής, μπορείτε να χρησιμοποιήσετε τη συσκευή ως πρόσθετο εξάρτημα που συνδέεται με υπολογιστές, τηλεοράσεις, σετ ακουστικών Bluetooth, και άλλα.

Στη λειτουργία λήψης, μπορείτε να χρησιμοποιήσετε τα παρακάτω χαρακτηριστικά:

- Εκκίνηση S Voice
- Λήψη ή τερματισμός κλήσεων
- Έλεγχος αρχείων πολυμέσων

Στη λειτουργία αποστολής, μπορείτε να αναπαράγετε ήχο της συνδεδεμένης συσκευής πολυμέσων.

Περιεχόμενα συσκευασίας

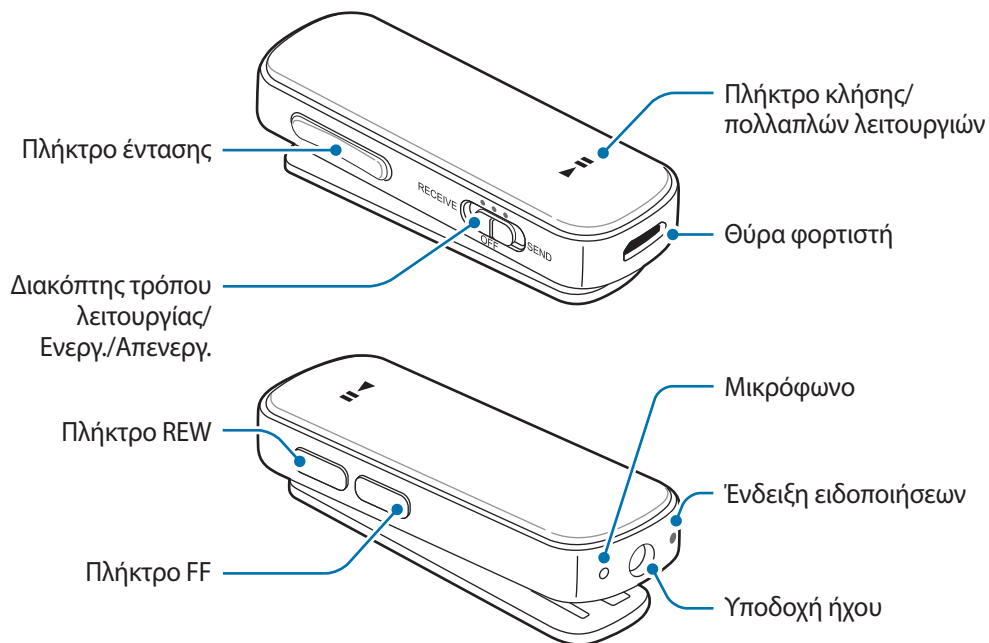
Ελέγξτε το κουτί του προϊόντος για τα παρακάτω είδη:

- Συσκευή
- Ακουστικά
- Καλώδιο USB
- Καλώδιο ήχου
- Οδηγός γρήγορης εκκίνησης



- Τα είδη συνοδεύουν τη συσκευή και τυχόν διαθέσιμα αξεσουάρ ενδέχεται να διαφέρουν ανάλογα με τη γεωγραφική περιοχή ή τον πάροχο υπηρεσιών.
- Τα συνοδευτικά είδη έχουν σχεδιαστεί μόνο για τη συσκευή αυτή και ενδέχεται να μην είναι συμβατά με άλλες συσκευές.
- Η εμφάνιση και οι προδιαγραφές υπόκεινται σε αλλαγή χωρίς προηγούμενη ειδοποίηση.
- Μπορείτε να αγοράσετε πρόσθετα αξεσουάρ από τον τοπικό έμπορο της Samsung. Βεβαιωθείτε ότι είναι συμβατά με τη συσκευή πριν την αγορά.
- Χρησιμοποιείτε αποκλειστικά αξεσουάρ εγκεκριμένα από τη Samsung. Η χρήση μη εγκεκριμένων αξεσουάρ ενδέχεται να προκαλέσει προβλήματα απόδοσης και δυσλειτουργίες που δεν καλύπτονται από την εγγύηση.
- Η διαθεσιμότητα όλων των αξεσουάρ υπόκειται σε αλλαγή που εξαρτάται αποκλειστικά από τις κατασκευαστικές εταιρείες. Για περισσότερες πληροφορίες σχετικά με τα διαθέσιμα αξεσουάρ, ανατρέξτε στον ιστότοπο της Samsung.

Διάταξη συσκευής



Πλήκτρα και λειτουργίες

Όνομασία	Λειτουργία
Διακόπτης τρόπου λειτουργίας/ Ενεργ./ Απενεργ.	<ul style="list-style-type: none"> Σύρετε προς τα αριστερά για να ενεργοποιήσετε τη λειτουργία λήψης και σύρετε προς τα δεξιά για να ενεργοποιήσετε τη λειτουργία αποστολής. Σύρετε στη θέση OFF για να απενεργοποιήσετε τη συσκευή.
Πλήκτρο κλήσης/ πολλαπλών λειτουργιών	<ul style="list-style-type: none"> Στη λειτουργία λήψης, πατήστε παρατεταμένα για 1 δευτερόλεπτο για εκκίνηση του S Voice. Στη λειτουργία λήψης, πατήστε για απάντηση ή τερματισμό κλήσης. Στη λειτουργία λήψης, πατήστε παρατεταμένα για απόρριψη κλήσης. Στη λειτουργία λήψης, πατήστε παρατεταμένα για να μεταφέρετε κλήσεις από το Level Link προς τη άλλη συσκευή σας, ή αντίστροφα. Στη λειτουργία λήψης, πατήστε για αναπαραγωγή ή διακοπή αρχείων πολυμέσων. Στη λειτουργία λήψης ή αποστολής, πατήστε παρατεταμένα για 3 δευτερόλεπτα για είσοδο στη λειτουργία δημιουργίας ζεύγους Bluetooth.
Πλήκτρο έντασης	<ul style="list-style-type: none"> Στη λειτουργία λήψης, πατήστε για προσαρμογή της έντασης ήχου κατά τη διάρκεια μιας κλήσης. Στη λειτουργία λήψης, πατήστε για προσαρμογή της έντασης ήχου κατά την αναπαραγωγή αρχείων πολυμέσων.
Πλήκτρο REW / Πλήκτρο FF	<ul style="list-style-type: none"> Στη λειτουργία λήψης, πατήστε για αναπαραγωγή του προηγούμενου ή επόμενου αρχείου πολυμέσων κατά την αναπαραγωγή. Στη λειτουργία λήψης, πατήστε παρατεταμένα για κίνηση προς τα πίσω ή γρήγορη κίνηση μπροστά ενός αρχείου πολυμέσων κατά την αναπαραγωγή.

Ένδειξη κατάστασης

Κατάσταση	Χρώμα
Λειτουργία δημιουργίας ζεύγους Bluetooth	<ul style="list-style-type: none"> Αναβοσβήνει με κόκκινο, πράσινο και μπλε
Ενεργοποίηση ισχύος ή ενεργοποίηση τρόπων λειτουργίας	<ul style="list-style-type: none"> Αναβοσβήνει με μπλε 3 φορές
Απενεργοποίηση	<ul style="list-style-type: none"> Αναβοσβήνει με κόκκινο 3 φορές
Εισερχόμενη κλήση	<ul style="list-style-type: none"> Αναβοσβήνει με μπλε

Φόρτιση της μπαταρίας

Φορτίστε την μπαταρία πριν χρησιμοποιήσετε το Level Link για πρώτη φορά ή όταν το Level Link δεν έχει χρησιμοποιηθεί για παρατεταμένες χρονικές περιόδους.

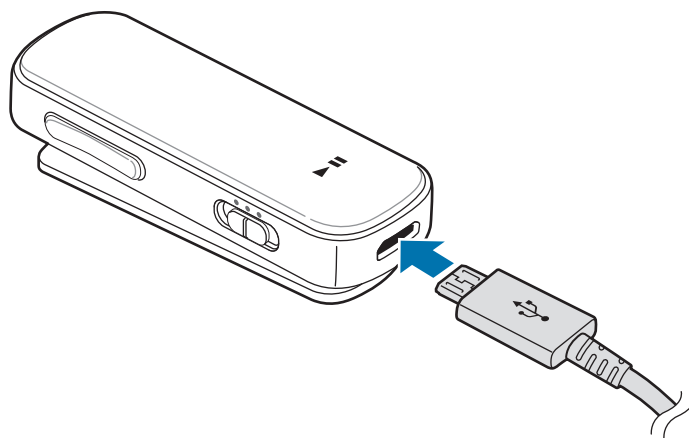


Χρησιμοποιείτε μόνο φορτιστές, μπαταρίες και καλώδια που έχουν την έγκριση της Samsung. Μη εγκεκριμένοι φορτιστές ή καλώδια μπορούν να προκαλέσουν έκρηξη της μπαταρίας ή ζημιά στο σετ ακουστικών.



Αν η μπαταρία έχει αποφορτιστεί εντελώς, το σετ ακουστικών δεν μπορεί να ενεργοποιηθεί αμέσως μόλις συνδεθεί ο φορτιστής. Αφήστε την εξαντλημένη μπαταρία να φορτίσει για λίγα λεπτά πριν ενεργοποιήσετε το σετ ακουστικών.

Συνδέετε τη συσκευή με έναν υπολογιστή ή με το μετασχηματιστή ρεύματος USB μέσω του καλωδίου USB.



Η λανθασμένη σύνδεση του φορτιστή ενδέχεται να προκαλέσει σοβαρή ζημιά στη συσκευή. Οποιαδήποτε ζημιά προκαλείται από κακή χρήση δεν καλύπτεται από την εγγύηση.



- Η συσκευή μπορεί να χρησιμοποιηθεί ενώ φορτίζει, αλλά ενδέχεται να χρειαστεί περισσότερος χρόνος για την πλήρη φόρτιση της μπαταρίας.
- Κατά τη φόρτιση, η συσκευή ενδέχεται να ζεσταθεί. Αυτό είναι φυσιολογικό και δεν θα πρέπει να επηρεάσει τη διάρκεια ζωής ή την απόδοση της συσκευής. Αν η μπαταρία ζεσταθεί περισσότερο από το συνηθισμένο, ο φορτιστής ενδέχεται να σταματήσει να φορτίζει.
- Αν η συσκευή δεν φορτίζει σωστά, δώστε τη συσκευή και το φορτιστή σε ένα επισκευαστικό κέντρο της Samsung.

Μετά από την πλήρη φόρτιση, αποσυνδέστε τη συσκευή από το φορτιστή. Καταρχάς αποσυνδέστε το φορτιστή από τη συσκευή και κατόπιν αποσυνδέστε τον από την πρίζα.



Για εξοικονόμηση ενέργειας, αποσυνδέετε το φορτιστή όταν δεν χρησιμοποιείται. Ο φορτιστής δεν διαθέτει διακόπτη λειτουργίας, και έτσι πρέπει να αποσυνδέετε το φορτιστή από την πρίζα όταν δεν χρησιμοποιείται ώστε να αποφεύγετε την σπατάλη ηλεκτρικού ρεύματος. Ο φορτιστής θα πρέπει να παραμένει κοντά στην πρίζα ρεύματος και να είναι εύκολα προσβάσιμος κατά τη φόρτιση.

Έλεγχος του επιπέδου της μπαταρίας

Πιέστε παρατεταμένα και ταυτόχρονα το πλήκτρο αύξησης της έντασης ήχου και το πλήκτρο πολλαπλών λειτουργιών για 1 δευτερόλεπτο. Η ένδειξη ειδοποιήσεων αναβοσβήνει τρεις φορές με διαφορετικά χρώματα σύμφωνα με την κατάσταση φόρτισης.

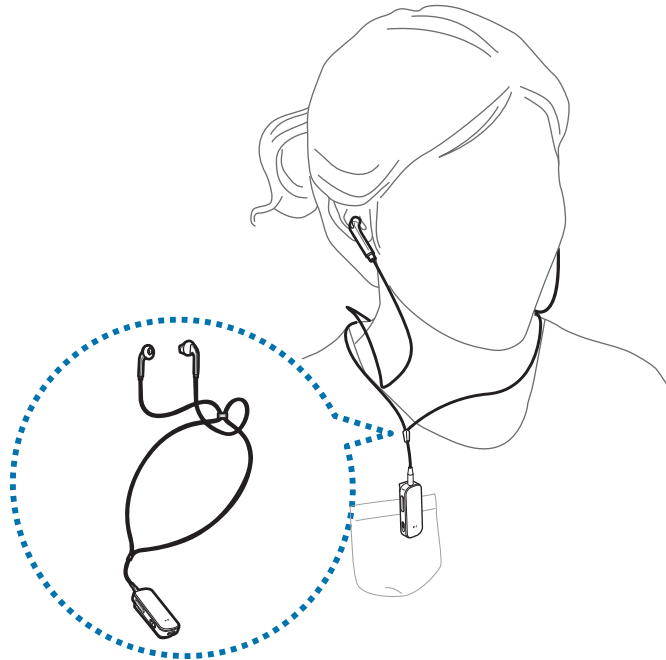
Κατάσταση	Χρώμα
Λιγότερο από 30%	• Κόκκινο
30–60%	• Κίτρινο
Περισσότερο από 60%	• Πράσινο

Πώς να φοράτε τη συσκευή και τα ακουστικά

Συνδέστε τα παρεχόμενα ακουστικά με το Level Link και φορέστε τα γύρω από το λαιμό σας.




- 1 Συνδέστε τα ακουστικά στην υποδοχή ήχου του Level Link.
- 2 Προσαρμόστε το κλιπ των ακουστικών ώστε να σχηματιστεί ένας βρόχος αρκετά μεγάλος για να χωρέσει να περάσει το κεφάλι σας.

- 3 Στερεώστε το Level Link στα ρούχα σας με το κλιπ.
- 4 Φορέστε τα ακουστικά γύρω από το λαιμό σας και συνδέστε τα άκρα των ακουστικών.



Να είστε προσεκτικοί κατά τη χρήση της συσκευής αυτής με ενσύρματα ακουστικά. Μπορεί να πνιγείτε εάν τα ακουστικά τυλιχτούν γύρω από το λαιμό σας.

Ενεργοποίηση και απενεργοποίηση της συσκευής

-  : ενεργοποίηση λειτουργίας λήψης.
-  : ενεργοποίηση λειτουργίας αποστολής.
-  : απενεργοποίηση της συσκευής.



Τηρείτε όλες τις προειδοποιήσεις και οδηγίες που έχουν αναρτηθεί από εξουσιοδοτημένο προσωπικό σε χώρους όπου απαγορεύεται η χρήση ασύρματων συσκευών, όπως αεροπλάνα και νοσοκομεία.

Χρήση της συσκευής

Bluetooth

Πληροφορίες για το Bluetooth

Το Bluetooth είναι ένα πρότυπο ασύρματης τεχνολογίας που χρησιμοποιεί συχνότητα των 2,4 GHz για σύνδεση με διάφορες συσκευές σε μικρές αποστάσεις. Μπορεί να συνδεθεί και να ανταλλάσσει δεδομένα με άλλες συσκευές με δυνατότητα Bluetooth, όπως συσκευές κινητής τηλεφωνίας, υπολογιστές, εκτυπωτές και άλλες ψηφιακές οικιακές συσκευές, χωρίς σύνδεση μέσω καλωδίων.

Ειδοποιήσεις για τη χρήση Bluetooth

- Για να αποφύγετε προβλήματα κατά τη σύνδεση της συσκευής σας με άλλη συσκευή, τοποθετήστε τις συσκευές σε κοντινή απόσταση μεταξύ τους.
- Βεβαιωθείτε ότι η συσκευή σας και η άλλη συσκευή Bluetooth βρίσκονται εντός της εμβέλειας σύνδεσης Bluetooth (10 μ.). Η απόσταση ενδέχεται να διαφέρει ανάλογα με το περιβάλλον στο οποίο χρησιμοποιούνται οι συσκευές.
- Βεβαιωθείτε ότι δεν υπάρχουν εμπόδια μεταξύ του σετ ακουστικών και μιας συνδεδεμένης συσκευής, συμπεριλαμβανομένων των ανθρώπινων σωμάτων, τοίχων, γωνιών ή φρακτών.
- Μην αγγίζετε την κεραία Bluetooth μιας συνδεδεμένης συσκευής.
- Το Bluetooth χρησιμοποιεί την ίδια συχνότητα με ορισμένα βιομηχανικά, επιστημονικά, ιατρικά και χαμηλής ισχύος προϊόντα και ενδέχεται να προκύψουν παρεμβολές κατά την πραγματοποίηση συνδέσεων κοντά σε αυτούς τους τύπους προϊόντων.
- Ορισμένες συσκευές, ιδίως εκείνες που δεν έχουν δοκιμαστεί ούτε εγκριθεί από την Bluetooth SIG, ενδέχεται να μην είναι συμβατές με το σετ ακουστικών.
- Μην χρησιμοποιείτε τη λειτουργία Bluetooth για παράνομους σκοπούς (για παράδειγμα, πειρατικά αντίγραφα αρχείων ή παράνομη υποκλοπή επικοινωνιών για εμπορικούς σκοπούς).

Σύνδεση με άλλες συσκευές



Η ποιότητα ήχου και η εμβέλεια χρήσης μεταξύ του Level Link και συνδεδεμένων συσκευών ήχου ενδέχεται να διαφέρουν ανάλογα με τις συσκευές ήχου με δυνατότητα Bluetooth.

Σύνδεση στη λειτουργία λήψης

Μπορείτε να λαμβάνετε εισερχόμενες κλήσεις ή να ακούτε μουσική όταν το Level Link είναι συνδεδεμένο με τις συσκευές που υποστηρίζουν τη λειτουργία Bluetooth. Όταν ενεργοποιείτε το Level Link για πρώτη φορά, εισέρχεται στη λειτουργία δημιουργίας ζεύγους Bluetooth.



- Όταν δημιουργείται ζεύγος μεταξύ του Level Link και άλλων συσκευών μέσω Bluetooth για πρώτη φορά, το Level Link συνδέεται αυτόματα με τις οποίες έχει δημιουργηθεί ζεύγος. Αν αποτύχει η σύνδεση του Level Link, αυτό εισέρχεται σε λειτουργία δημιουργίας ζεύγους Bluetooth.
- Το Level Link μπορεί να αποθηκεύσει πληροφορίες συσκευής για έως και οκτώ συσκευές. Αν το Level Link έχει συνδεθεί με περισσότερες από μία συσκευές, συνδέεται με τη συσκευή με την οποία δημιουργήθηκε πιο πρόσφατα ζεύγος.

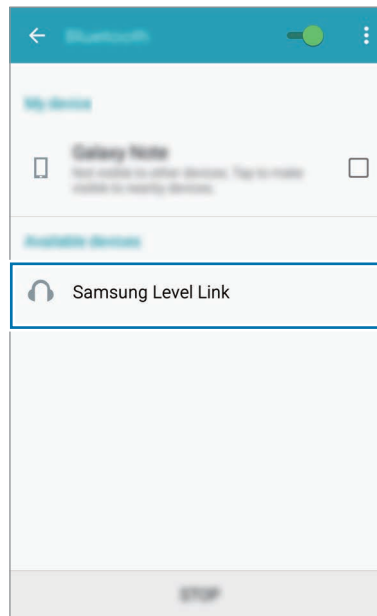
1 **Level Link** Σύρετε το διακόπτη τρόπου λειτουργίας προς τα αριστερά για να ενεργοποιήσετε τη λειτουργία λήψης.

2 **Level Link** Πατήστε παρατεταμένα το πλήκτρο πολλαπλών λειτουργιών για περίπου 3 δευτερόλεπτα για είσοδο στη λειτουργία δημιουργίας ζεύγους Bluetooth.

3 **Άλλη συσκευή** Ενεργοποιήστε τη λειτουργία Bluetooth και κάντε αναζήτηση για συσκευές Bluetooth.

Για περισσότερες πληροφορίες, ανατρέξτε στο εγχειρίδιο χρήσης της άλλης συσκευής.

4 **Άλλη συσκευή** Πατήστε **Samsung Level Link** από τη λίστα.



5 **Level Link** Συνδέστε τα ακουστικά με το Level Link.

Ή συνδέστε το Level Link στην βοηθητική υποδοχή εισόδου μιας συσκευής εξόδου ήχου μέσω καλωδίου ήχου.



Στη λειτουργία αυτή, αν συνδέσετε το Level Link μέσω ενός καλωδίου ήχου με την υποδοχή εξόδου ήχου μιας τηλεόρασης ή ενός υπολογιστή, το Level Link μπορεί να υποστεί ζημιά.

Σύνδεση στη λειτουργία αποστολής

Συνδέστε τη συσκευή σας με συσκευή αναπαραγωγής πολυμέσων μέσω του καλωδίου ήχου. Μπορείτε να ακούτε αρχεία πολυμέσων μέσω μιας άλλης συσκευής ήχου, όπως ένα σετ ακουστικών Bluetooth. Όταν ενεργοποιείτε το Level Link για πρώτη φορά, εισέρχεται στη λειτουργία δημιουργίας ζεύγους Bluetooth.



- Όταν δημιουργείται ζεύγος μεταξύ του Level Link και άλλων συσκευών μέσω Bluetooth για πρώτη φορά, το Level Link συνδέεται αυτόματα με τις οποίες έχει δημιουργηθεί ζεύγος. Αν αποτύχει η σύνδεση του Level Link, αυτό εισέρχεται σε λειτουργία δημιουργίας ζεύγους Bluetooth.
- Το Level Link μπορεί να αποθηκεύσει πληροφορίες συσκευής για έως και οκτώ συσκευές. Αν το Level Link έχει συνδεθεί με περισσότερες από μία συσκευές, συνδέεται με τη συσκευή με την οποία δημιουργήθηκε πιο πρόσφατα ζεύγος.

1 **Level Link** Σύρετε το διακόπτη τρόπου λειτουργίας προς τα δεξιά για να ενεργοποιήσετε τη λειτουργία αποστολής.

2 **Level Link** Πατήστε παρατεταμένα το πλήκτρο πολλαπλών λειτουργιών για περίπου 3 δευτερόλεπτα για είσοδο στη λειτουργία δημιουργίας ζεύγους Bluetooth.

3 **Level Link** Τοποθετήστε το Level Link εντός 30 εκ. από τη συσκευή ήχου με την οποία έχει δημιουργηθεί ζεύγος.

Το Level Link και η συσκευή ήχου είναι πλέον συνδεδεμένες μέσω Bluetooth. Αν αποτύχει η σύνδεση, απενεργοποιήστε τη συσκευή ήχου και ενεργοποιήστε την ξανά. Κατόπιν, επαναλάβετε τα βήματα παραπάνω.

4 Συνδέστε το καλώδιο ήχου στην υποδοχή ήχου του Level Link. Κατόπιν, συνδέστε το άλλο άκρο του καλωδίου ήχου στην υποδοχή εξόδου ήχου της συσκευής αναπαραγωγής πολυμέσων.



- Η μέθοδος σύνδεσης μέσω Bluetooth ενδέχεται να διαφέρει ανάλογα με τις συνδεδεμένες συσκευές. Για περισσότερες πληροφορίες, ανατρέξτε στο εγχειρίδιο χρήσης της συνδεδεμένης συσκευής.
- Όταν το Level Link είναι συνδεδεμένο με τηλεόραση σε τρόπο λειτουργίας αποστολής, ενδέχεται να εμφανιστούν προβλήματα συγχρονισμού του ήχου με την κίνηση των χειλιών. Συνιστάται η σύνδεση του Level Link με τηλεόραση που υποστηρίζει την κωδικοποίηση aptX Low Latency.
- Όταν χρησιμοποιείτε το Level Link με συσκευή αναπαραγωγής πολυμέσων, χαμηλώστε την ένταση ήχου της συσκευής αναπαραγωγής πολυμέσων πριν αποσυνδέσετε το καλώδιο ήχου ώστε να αποτρέψετε ξαφνικούς, δυνατούς ήχους.
- Ενδέχεται να παρατηρήσετε πτώσεις της έντασης ή του θορύβου ανάλογα με την ένταση ήχου της συνδεδεμένης συσκευής αναπαραγωγής πολυμέσων. Για να αποφευχθεί αυτό, ρυθμίστε κατάλληλα τον ήχο της συσκευής αναπαραγωγής πολυμέσων.

Σύνδεση πρόσθετων συσκευών

Στη λειτουργία λήψης ή λειτουργία αποστολής, το Level Link μπορεί να συνδεθεί με έως και δύο συσκευές μέσω Bluetooth.

- 1 Στη λειτουργία λήψης ή λειτουργία αποστολής, συνδέστε το Level Link με τη συσκευή.
- 2 Συνδέστε το Level Link με μια δεύτερη συσκευή μέσω Bluetooth χρησιμοποιώντας τη μέθοδο σύνδεσης που χρησιμοποιήθηκε για την πρώτη συσκευή.



- Στη λειτουργία λήψης, αν το Level Link δεν εμφανίζεται στη λίστα εντοπισμένων συσκευών, πατήστε παρατεταμένα το πλήκτρο πολλαπλών λειτουργιών για περίπου 3 δευτερόλεπτα για είσοδο στη λειτουργία δημιουργίας ζεύγους Bluetooth.
- Σε λειτουργία αποστολής, το Level Link υποστηρίζει τον κωδικοποιητή aptX low-latency όταν συνδέεται με μία συσκευή ήχου. Αν δύο συσκευές ήχου είναι ταυτόχρονα συνδεδεμένες με το Level Link, ο κωδικοποιητής aptX δεν υποστηρίζεται και η έξοδος βίντεο και ήχου μπορεί να μην συγχρονίζονται.
- Στη λειτουργία αποστολής, η εμβέλεια χρήσης μεταξύ του Level Link και άλλων συσκευών ενδέχεται να μειωθεί.

Επανασύνδεση ή αποσύνδεση άλλων συσκευών

Επανασύνδεση των συσκευών

Όταν το Level Link αποσυνδέεται από μια συσκευή ήχου λόγω της απόστασης μεταξύ των συσκευών, πλησιάστε τις συσκευές μεταξύ τους και πιέστε το πλήκτρο πολλαπλών λειτουργιών για να δημιουργήσετε και πάλι ζεύγος μεταξύ τους. Ή, μπορείτε να χρησιμοποιήσετε το μενού Bluetooth στη συσκευή ήχου για να δημιουργήσετε ζεύγος μεταξύ των συσκευών.

Αποσύνδεση των συσκευών

Για να αποσυνδέσετε το Level Link από τη συσκευή ήχου, απενεργοποιήστε τη συσκευή σας ή ακυρώστε το ζεύγος μεταξύ των συσκευών. Αν συνδέσατε τις δύο συσκευές μέσω ενός καλωδίου ήχου, αποσυνδέστε το καλώδιο και από τις δύο συσκευές.

Χρήση των λειτουργιών λήψης και αποστολής

Στη λειτουργία λήψης, μπορείτε να ξεκινήσετε το S Voice, να απαντήσετε σε εισερχόμενες κλήσεις ή να αναπαράγετε αρχεία πολυμέσων. Σε αυτή τη λειτουργία, χρησιμοποιήστε το Level Link με ακουστικά, ή συνδέστε το Level Link με μια συσκευή ήχου μέσω ενός καλωδίου ήχου.

Στη λειτουργία αποστολής, μπορείτε να ακούτε ήχο από τη συσκευή αναπαραγωγής πολυμέσων μέσω της συνδεδεμένης συσκευής ήχου.



- Οι διαθέσιμες λειτουργίες ενδέχεται να διαφέρουν ανάλογα με τη συσκευή με την οποία συνδέεστε. Ορισμένες λειτουργίες ενδέχεται να μην είναι διαθέσιμες αν το Level Link είναι συνδεδεμένο με δύο συσκευές ταυτόχρονα.
- Ορισμένες λειτουργίες είναι διαθέσιμες μόνο όταν το Level Link συνδέεται με μια συσκευή μέσω του προφίλ χρήσης χωρίς χέρια (Hands-Free Profile - HFP).
- Η θέση του μικροφώνου διαφέρει ανάλογα με τον τρόπο που φοράτε το Level Link. Η θέση του Level Link ενδέχεται να επηρεάσει την ποιότητα ήχου κατά τη διάρκεια κλήσεων.

Εκκίνηση S Voice

Πατήστε το πλήκτρο πολλαπλών λειτουργιών για 1 δευτερόλεπτο. Αν η συνδεδεμένη συσκευή υποστηρίζει το S Voice, μπορείτε να χρησιμοποιήσετε την εφαρμογή μέσω του Level Link.

Απάντηση και απόρριψη κλήσεων

Απάντηση κλήσης

Πατήστε το πλήκτρο κλήσης για να απαντήσετε σε κλήσεις που πραγματοποιούνται προς τη συνδεδεμένη συσκευή.

Απόρριψη κλήσης

Πατήστε παρατεταμένα το πλήκτρο κλήσης για να απορρίψετε κλήσεις που πραγματοποιούνται προς τη συνδεδεμένη συσκευή.

Χρήση επιλογών κατά τη διάρκεια μιας κλήσης

Προσαρμογή της έντασης ήχου

Κατά τη διάρκεια μιας κλήσης, πατήστε το πλήκτρο έντασης ήχου για να προσαρμόσετε την ένταση.

Εναλλαγή της εξόδου ήχου

Πατήστε παρατεταμένα το πλήκτρο κλήσης για να μεταφέρετε κλήσεις από το Level Link προς τη συνδεδεμένη συσκευή. Η λειτουργία αυτή ενδέχεται να μην είναι διαθέσιμη ανάλογα με τη συνδεδεμένη συσκευή.

Τερματισμός κλήσης

Πατήστε το πλήκτρο κλήσης για να τερματίσετε μια κλήση.

Αναπαραγωγή αρχείων πολυμέσων

Κάντε αναπαραγωγή αρχείων πολυμέσων σε λειτουργία λήψης ή αποστολής. Οι διαθέσιμες λειτουργίες ενδέχεται να διαφέρουν ανάλογα με τον τρόπο λειτουργίας που χρησιμοποιείται.

Αναπαραγωγή και διακοπή ενός αρχείου πολυμέσων

Πατήστε το πλήκτρο πολλαπλών λειτουργιών για αναπαραγωγή του πιο πρόσφατου αρχείου πολυμέσων στη συνδεδεμένη συσκευή.

Πατήστε το πλήκτρο πολλαπλών λειτουργιών για παύση της αναπαραγωγής. Για να συνεχίσετε την αναπαραγωγή, πατήστε και πάλι το πλήκτρο πολλαπλών λειτουργιών.

Μετάβαση στο προηγούμενο ή επόμενο αρχείο πολυμέσων

Πατήστε το πλήκτρο REW ή το πλήκτρο FF για μετάβαση στο προηγούμενο ή επόμενο αρχείο κατά την αναπαραγωγή.

Κίνηση προς τα πίσω ή γρήγορη κίνηση μπροστά στο αρχείο πολυμέσων

Πατήστε παρατεταμένα το πλήκτρο REW ή το πλήκτρο FF για κίνηση προς τα πίσω ή γρήγορη κίνηση μπροστά στο αρχείο κατά την αναπαραγωγή.

Προσαρμογή της έντασης ήχου

Πατήστε το πλήκτρο έντασης ήχου για να προσαρμόσετε την ένταση ήχου.



- Όταν το Level Link είναι συνδεδεμένο με δύο συσκευές, μπορείτε να αναπαράγετε αρχεία πολυμέσων από οποιαδήποτε από τις δύο συσκευές. Για αναπαραγωγή ενός αρχείου πολυμέσων από διαφορετική συσκευή, κάντε πρώτα παύση στην αναπαραγωγή από την άλλη συσκευή.
- Όταν αναπαράγετε ένα αρχείο πολυμέσων από μία συσκευή, μπορείτε να συνεχίσετε να απαντάτε σε κλήσεις από την άλλη συσκευή.
- Αν υπάρχουν διαφορές στην ισχύ εξόδου του καλωδίου ήχου και της συνδεδεμένης συσκευής ήχου στη λειτουργία αποστολής, η ένταση ήχου στο Level Link ενδέχεται να διαφέρει.

Εκτέλεση επαναφοράς δεδομένων

Όταν το Level Link είναι συνδεδεμένο με μία συσκευή μέσω Bluetooth, οι πληροφορίες του Level Link, όπως η διεύθυνση Bluetooth και ο τύπος της συσκευής, αποθηκεύονται στη συνδεδεμένη συσκευή. Για διαγραφή των πληροφοριών σύνδεσης του Level Link, πατήστε παρατεταμένα το πλήκτρο πολλαπλών λειτουργιών για περίπου 3 δευτερόλεπτα για είσοδο στη λειτουργία δημιουργίας ζεύγους Bluetooth. Κατόπιν, πατήστε παρατεταμένα τα πλήκτρα REW, FF, και πολλαπλών λειτουργιών ταυτόχρονα για 3 δευτερόλεπτα.

Παράρτημα

Αντιμετώπιση προβλημάτων

Πριν επικοινωνήσετε με ένα επισκευαστικό κέντρο της Samsung, επιχειρήστε τις παρακάτω λύσεις. Κάποιες περιστάσεις ενδέχεται να μην ισχύουν για τη δική σας συσκευή.

Η συσκευή σας δεν ενεργοποιείται

Όταν η μπαταρία έχει αποφορτιστεί εντελώς, η συσκευή σας δεν ενεργοποιείται. Φορτίστε εντελώς την μπαταρία πριν ενεργοποιήσετε τη συσκευή.

Η μπαταρία δεν φορτίζει σωστά (για φορτιστές εγκεκριμένους από τη Samsung)

- Βεβαιωθείτε ότι ο φορτιστής έχει συνδεθεί σωστά.
- Επισκεφθείτε ένα επισκευαστικό κέντρο της Samsung και ζητήστε την αντικατάσταση της μπαταρίας.

Μια άλλη συσκευή Bluetooth δεν μπορεί να εντοπίσει τη συσκευή σας

- Βεβαιωθείτε ότι η συσκευή σας βρίσκεται σε λειτουργία δημιουργίας ζεύγους Bluetooth.
- Κάντε επαναφορά της συσκευής και αναζητήστε συσκευές Bluetooth.
- Βεβαιωθείτε ότι η συσκευή σας και η άλλη συσκευή Bluetooth βρίσκονται εντός της εμβέλειας σύνδεσης Bluetooth (10 μ.).

Αν οι παραπάνω συμβουλές δεν επιλύσουν το πρόβλημα, επικοινωνήστε με ένα επισκευαστικό κέντρο της Samsung.

Μια άλλη συσκευή Bluetooth δεν εντοπίζεται

- Βεβαιωθείτε ότι η συσκευή με την οποία θέλετε να συνδεθείτε υποστηρίζει την ασύρματη λειτουργία Bluetooth.
- Βεβαιωθείτε ότι η συσκευή σας και η άλλη συσκευή Bluetooth βρίσκονται εντός της μέγιστης εμβέλειας Bluetooth (10 μ.).

Η σύνδεση Bluetooth αποσυνδέεται συχνά

- Αν υπάρχουν εμπόδια μεταξύ των συσκευών, η απόσταση λειτουργίας ενδέχεται να μειωθεί.
- Βεβαιωθείτε ότι η συσκευή σας και η άλλη συσκευή Bluetooth βρίσκονται εντός της μέγιστης εμβέλειας Bluetooth (10 μ.).
- Όταν χρησιμοποιείτε τη συσκευή με άλλες συσκευές Bluetooth, η σύνδεση ενδέχεται να επηρεαστεί από ηλεκτρομαγνητικά κύματα. Χρησιμοποιείτε τη συσκευή σε περιβάλλοντα με λιγότερες ασύρματες συσκευές παρούσες.

Δεν μπορείτε να ακούσετε άλλους να μιλάνε

- Προσαρμόστε την ένταση ήχου της συσκευής.
- Προσαρμόστε την ένταση ήχου στη συνδεδεμένη συσκευή όταν δεν μπορείτε να ακούσετε ήχους στη συσκευή σας σε πλήρη ένταση.

Ο ήχος αντηχεί κατά τη διάρκεια μιας κλήσης

Προσαρμόστε την ένταση ήχου πατώντας το πλήκτρο έντασης ή μετακινηθείτε σε άλλο χώρο.

Άλλα άτομα δεν μπορούν να σας ακούσουν ενώ μιλάτε σε μια κλήση

- Βεβαιωθείτε ότι δεν καλύπτετε το ενσωματωμένο μικρόφωνο.
- Βεβαιωθείτε ότι το μικρόφωνο είναι κοντά στο στόμα σας.

Η ποιότητα ήχου είναι κακή

- Οι υπηρεσίες ασύρματου δικτύου ενδέχεται να είναι απενεργοποιημένες λόγω ζητημάτων με το δίκτυο του παρόχου των υπηρεσιών. Βεβαιωθείτε ότι κρατάτε τη συσκευή μακριά από ηλεκτρομαγνητικά κύματα.
- Βεβαιωθείτε ότι η συσκευή σας και η άλλη συσκευή Bluetooth βρίσκονται εντός της μέγιστης εμβέλειας Bluetooth (10 μ.).

Η συσκευή λειτουργεί διαφορετικά από την περιγραφή στο εγχειρίδιο

- Οι διαθέσιμες λειτουργίες ενδέχεται να διαφέρουν ανάλογα με τη συνδεδεμένη συσκευή.
- Ορισμένες λειτουργίες δεν μπορούν να χρησιμοποιηθούν όταν δύο συσκευές είναι συνδεδεμένες με τη συσκευή ταυτόχρονα.

Η μπαταρία εξαντλείται ταχύτερα από όταν αγοράστηκε για πρώτη φορά

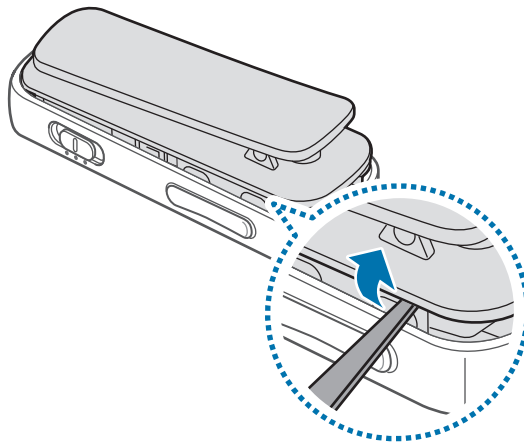
- Όταν εκθέτετε τη συσκευή ή την μπαταρία σε πολύ χαμηλές ή πολύ υψηλές θερμοκρασίες, ενδέχεται να μειωθεί ο χρόνος ωφέλιμης φόρτισης.
- Η μπαταρία είναι αναλώσιμη και ο χρόνος ωφέλιμης φόρτισης μειώνεται με την πάροδο του χρόνου.

Απομάκρυνση της μπαταρίας (μη αφαιρούμενος τύπος)



- Οι παρούσες οδηγίες προορίζονται μόνο για τον πάροχο των υπηρεσιών σας ή εγκεκριμένο αντιπρόσωπο επισκευών.
- Ζημιά ή βλάβη που προκαλείται από μη εγκεκριμένη αφαίρεση της μπαταρίας δεν καλύπτεται από την εγγύηση.
- Για αφαίρεση ή αντικατάσταση της μπαταρίας, επικοινωνήστε με τον πάροχο των υπηρεσιών σας ή εγκεκριμένο αντιπρόσωπο επισκευών.

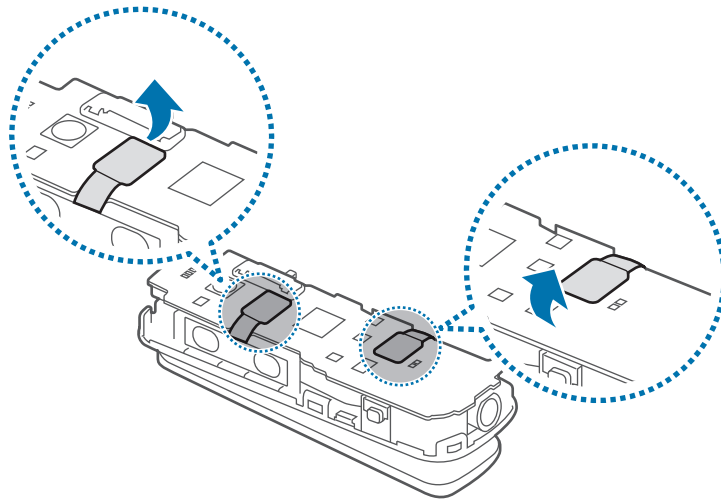
- 1 Εισάγετε ένα λεπτό, επίπεδο εργαλείο στο κενό ανάμεσα στο κάλυμμα και το σώμα της συσκευής. Κατόπιν, χρησιμοποιήστε το εργαλείο για να τα διαχωρίσετε όπως φαίνεται στην παρακάτω εικόνα.



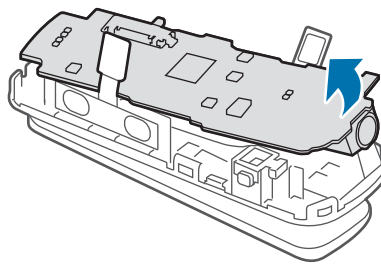
- Προσέξτε όταν εισάγετε το εργαλείο ώστε να αποφύγετε ζημιά στα εσωτερικά εξαρτήματα της συσκευής.

- 2 Όταν αποχωριστεί το κάλυμμα, βάλτε το στην άκρη.

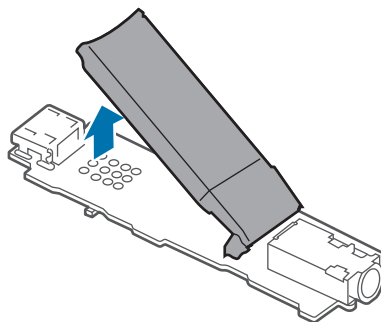
3 Αποσυνδέστε τους συνδέσμους της μπαταρίας.



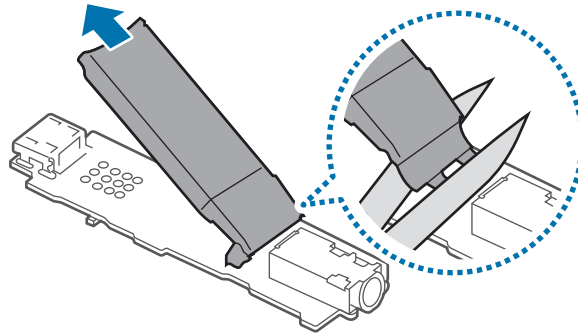
4 Αφαιρέστε την πλάκα κυκλώματος αποσπώντας το από το σώμα της συσκευής και τοποθετήστε το με την πρόσοψη προς τα κάτω σε μια επίπεδη επιφάνεια.



5 Πατήστε προς τα κάτω στη θύρα φόρτισης και τραβήξτε την μπαταρία προς τα πάνω για να την ελευθερώσετε από την πλάκα κυκλώματος.



- 6** Τραβήξτε την μπαταρία και απομακρύνετε την από την πλάκα κυκλώματος, και κόψτε τις συνδέσεις στα σημεία που παρουσιάζονται στην παρακάτω εικόνα.



- 7** Απομακρύνετε την μπαταρία.

Δήλωση συμμόρφωσης

Λεπτομέρειες προϊόντος

Για το εξής

Προϊόν : Κλειδωτήρι Bluetooth

Μοντέλο(α) : EO-RG920



Δήλωση και ισχύοντα πρότυπα

Με το παρόν δηλώνουμε ότι το παραπάνω προϊόν συμμορφώνεται με τις θεμελιώδεις απαιτήσεις της Οδηγίας R&TTE (1999/5/EK) σύμφωνα με τα ακόλουθα:

ΑΣΦΑΛΕΙΑ	EN 60950-1 : 2006 + A11 : 2009 + A1 : 2010 + A12 : 2011
SAR	EN 50566 : 2013 EN 62479 : 2010
EMC	EN 301 489-01 V1.9.2 (2011-09) EN 301 489-17 V2.2.1 (2012-09)
ΡΑΔΙΟΣΥΧΝΟΤΗΤΑ	EN 300 328 V1.8.1 (2012-06)

καθώς και την Οδηγία (2011/65/EE) για τον περιορισμό της χρήσης συγκεκριμένων επικίνδυνων ουσιών σε ηλεκτρικό και ηλεκτρονικό εξοπλισμό κατ' εφαρμογήν του προτύπου EN 50581:2012.

Αντιπρόσωπος στην ΕΕ

Samsung Electronics Euro QA Lab.
Blackbushe Business Park
Saxony Way, Yateley, Hampshire
GU46 6GG, UK



2015.01.27

Stephen Colclough / Αντιπρόσωπος Ε.Ε.

(τόπος και ημερομηνία έκδοσης)

(Όνομα και υπογραφή εξουσιοδοτημένου ατόμου)

* Αυτή δεν είναι η διεύθυνση του Κέντρου επισκευών της Samsung. Για πληροφορίες σχετικά με τη διεύθυνση ή το τηλέφωνο του Κέντρου επισκευών της Samsung, δείτε την κάρτα εγγύησης ή επικοινωνήστε με το εμπορικό κατάστημα από το οποίο αγοράσατε το προϊόν.

Samsung Electronics ΕΛΛΑΣ ΑΕ

ΑΘΗΝΑ:

Γραφεία: Λ.Κηφισίας 24Α/ Μαρούσι/ 15125, Αθήνα, Ελλάδα

Web address: www.samsung.gr

ΤΜΗΜΑ ΕΞΥΠΗΡΕΤΗΣΗΣ ΠΕΛΑΤΩΝ SAMSUNG:

801-11-SAMSUNG (72 67 864)

Πνευματικά δικαιώματα

Πνευματικά δικαιώματα © 2015 Samsung Electronics

Το παρόν εγχειρίδιο προστατεύεται σύμφωνα με τη διεθνή νομοθεσία περί πνευματικών δικαιωμάτων.

Κανένα τμήμα του παρόντος εγχειριδίου δεν επιτρέπεται να αναπαραχθεί, να διανεμηθεί, να μεταφραστεί ή να μεταδοθεί σε οποιαδήποτε μορφή ή με οποιοδήποτε μέσο, ηλεκτρονικό ή μηχανικό, συμπεριλαμβανομένης της φωτοτύπησης, εγγραφής ή αποθήκευσης σε οποιοδήποτε σύστημα αποθήκευσης και ανάκτησης πληροφοριών, χωρίς την προηγούμενη έγγραφη άδεια της Samsung Electronics.

Εμπορικά σήματα

- Το SAMSUNG και το λογότυπο SAMSUNG είναι σήματα κατατεθέντα της Samsung Electronics.
- Το Bluetooth® είναι σήμα κατατεθέν της Bluetooth SIG, Inc. παγκοσμίως.
- Όλα τα άλλα εμπορικά σήματα και πνευματικά δικαιώματα είναι ιδιοκτησία των αντίστοιχων κατόχων τους.

Preberi me najprej

Pred uporabo naprave pozorno preberite ta priročnik, da zagotovite varno in pravilno uporabo.

- Opisi so napisani glede na privzete nastavitve naprave.
- Izdelek na slikah se lahko razlikuje od dejanskega izdelka. Vsebina se lahko spremeni brez predhodnega obvestila.

Ikone z navodili



Opozorilo: okoliščine v katerih se lahko vi ali drugi poškodujete



Previdno: okoliščine v katerih se lahko vaša naprava ali druga oprema poškoduje



Opomba: opombe, nasveti za uporabo ali dodatne informacije

Uvod

O napravi Level Link

Naprava Level Link podpira načina za sprejemanje in pošiljanje. V načinu za prejemanje lahko priključite slušalke na napravo Level Link in jo uporabite kot slušalke Bluetooth za naprave, ki podpirajo Bluetooth, kot so pametni telefoni ali tablični računalniki. V načinu za pošiljanje lahko uporabite napravo kot ključek, ki ga priključite na računalnike, televizijske sprejemnike, slušalke Bluetooth in še več.

V načinu za prejemanje lahko uporabite naslednje funkcije:

- Zagon S Voice
- Prejemanje ali končanje klicev
- Nadzor večpredstavnostih datotek

V načinu za pošiljanje lahko predvajate zvok s priključene večpredstavnostne naprave.

Vsebina embalaže

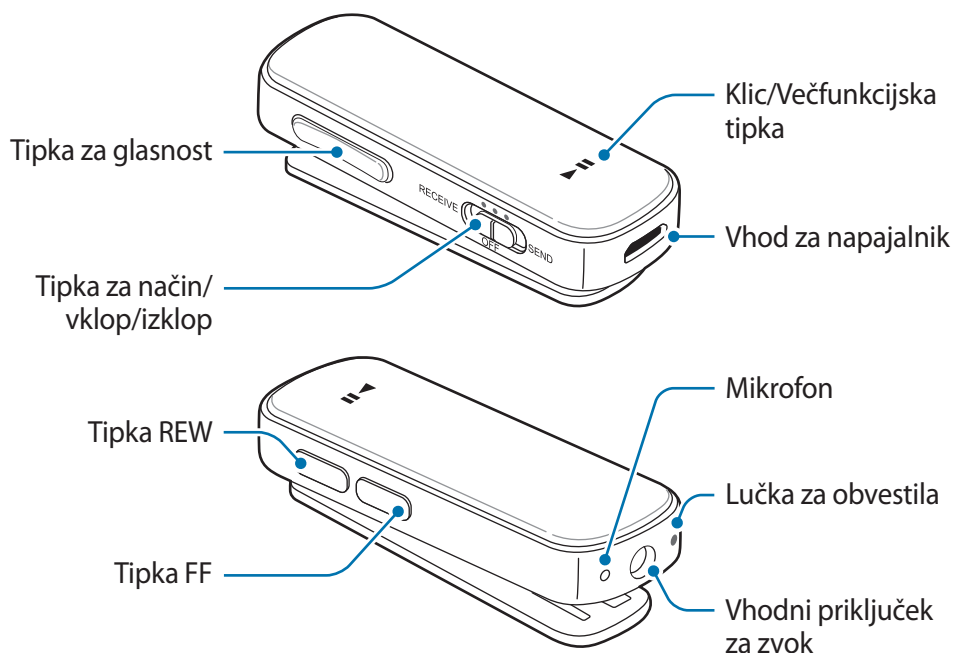
Preverite, ali škatla izdelka vsebuje naslednje:

- Naprava
- Slušalke
- Kabel USB
- Avdio kabel
- Navodila



- Predmeti priloženi napravi in katera koli razpoložljiva dodatna oprema je lahko odvisna od regije in ponudnika storitve.
- Priloženi predmeti so zasnovani samo za to napravo in morda niso združljivi z drugimi napravami.
- Videz in tehnični podatki se lahko spremenijo brez predhodnega obvestila.
- Dodatno opremo lahko kupite pri vašem lokalnem prodajalcu Samsung. Pred nakupom preverite, ali je združljiva z napravo.
- Uporabljajte samo dodatno opremo, ki jo je odobril Samsung. Uporaba neodobrene opreme lahko povzroči težave z delovanjem in okvare, ki jih ne krije garancija.
- Razpoložljivost vse dodatne opreme je predmet sprememb in v celoti odvisno od proizvajalcev. Za več informacij o razpoložljivosti dodatne opreme glejte spletno mesto podjetja Samsung.

Postavitev naprave



Tipke in funkcije

Ime	Funkcija
Tipka za način/ vklop/izklop	<ul style="list-style-type: none"> • Podrsajte v levo, da vključite način za prejemanje in podrsajte v desno, da vključite način za sprejemanje. • Podrsajte na OFF, da izklopite napravo.
Klic/Večfunkcijska tipka	<ul style="list-style-type: none"> • V načinu za prejemanje pritisnite in zadržite za 1 sekundo, da zaženete S Voice. • V načinu za prejemanje pritisnite za sprejem ali končanje klica. • V načinu za prejemanje pritisnite za zavrnitev klica. • V načinu za prejemanje pritisnite in zadržite za posredovanje klicev z naprave Level Link na vašo drugo napravo ali obratno. • V načinu za prejemanje pritisnite za predvajanje ali zaustavitev večpredstavnostne datoteke. • V načinu za prejemanje ali pošiljanje pritisnite in zadržite za 3 sekunde, da vključite način za seznanjanje prek povezave Bluetooth.
Tipka za glasnost	<ul style="list-style-type: none"> • V načinu za prejemanje pritisnite za prilagoditev glasnosti med klicem. • V načinu za prejemanje pritisnite za prilagoditev glasnosti med predvajanjem večpredstavnostnih datotek.
Tipka REW / tipke FF	<ul style="list-style-type: none"> • V načinu za prejemanje pritisnite za predvajanje prejšnje ali naslednje večpredstavnostne datoteke med predvajanjem. • V načinu za prejemanje pritisnite in zadržite za hitro previjanje večpredstavnostne datoteke nazaj ali naprej med predvajanjem.

Indikator stanja

Stanje	Barva
Način za seznanjanje Bluetooth	<ul style="list-style-type: none"> • Utripajoča rdeča, zelena in modra
Vklop naprave ali vključitev načinov	<ul style="list-style-type: none"> • Morda zasveti 3-krat
Izklop	<ul style="list-style-type: none"> • Rdeča zasveti 3-krat
Dohodni klic	<ul style="list-style-type: none"> • Morda utripa

Polnjenje baterije

Baterijo napolnite pred prvo uporabo naprave Level Link ali ko naprave Level Link niste uporabljali dlje časa.

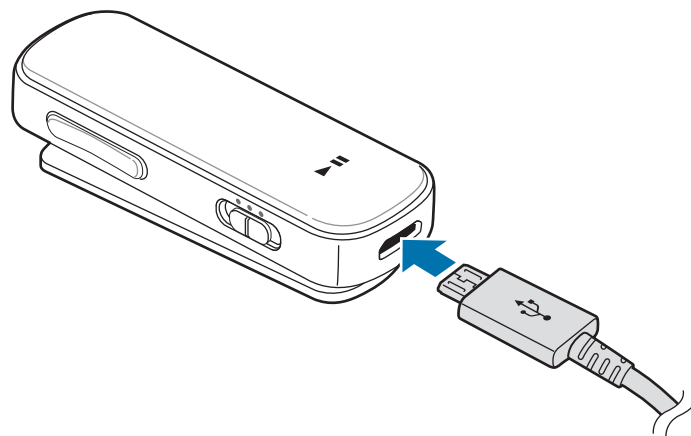


Uporabljajte samo polnilnike, baterije in kable, ki jih je odobril Samsung. Neodobreni polnilniki in kabli lahko povzročijo, da baterija eksplodira ali poškoduje slušalke.



Če je baterija v celoti izpraznjena, slušalk ne morete nemudoma vklopiti, ko priključite polnilnik. Preden vklopite slušalke počakajte, da se izpraznjena baterija polni nekaj minut.

Priključite napravo na računalnik ali napajalnik USB z uporabo kabla USB.



Nepravilna priključitev polnilnika lahko resno poškoduje napravo. Kakršna koli škoda zaradi zlorabe ni krita z garancijo.



- Napravo lahko uporabljate med polnjenjem, vendar pa lahko zaradi tega baterijo polnite dlje časa.
- Med polnjenjem se lahko naprava segreje. To je običajno in ne sme vplivati na življenjsko dobo naprave ali delovanje. Če se baterija segreje bolj kot običajno, bo morda polnilnik prenehal s polnjenjem.
- Če se naprava ne polni pravilno, odnesite napravo in polnilnik v servisni center Samsung.

Po končanem polnjenju odklopite napravo s polnilnika. Najprej odklopite polnilnik z naprave in nato iz električne vtičnice.



Da zmanjšate porabo energije, izklopite polnilnik, ko ga ne uporabljate. Polnilnik nima tipke za vklop/izklop, zato morate polnilnik odklopiti iz električne vtičnice, da s tem preprečite neželeno porabo energije. Med polnjenjem polnilnik hranite v bližini električne vtičnice in na dostopnem mestu.

Preverjanje nivoja moči baterije

Hkrati pritisnite in zadržite tipko za zvišanje glasnosti in večfunkcijsko tipko za 1 sekundo. Lučka za obvestila zasveti trikrat v različnih barvah v skladu s stanjem polnjenja.

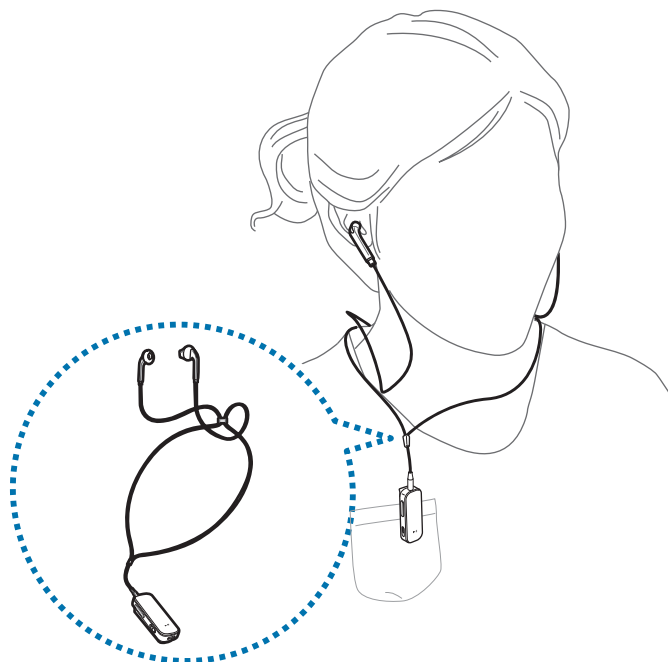
Stanje	Barva
Manj kot 30 %	• Rdeča
30–60 %	• Rumena
Več kot 60 %	• Zelena


Nošenje naprave in slušalk

Priključite priložene slušalke na napravo Level Link in jih nosite okoli vratu.

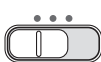
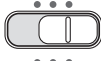

- 1 Vstavite slušalke v Vhodni priključek za zvok naprave Level Link.
- 2 Prilagodite priponko slušalk tako, da boste lahko skozi zanko dali glavo.


- 3 Priprnite napravo Level Link na vaša oblačila.
- 4 Slušalke nosite okoli vratu in priključite ušesne čepke.



 Bodite previdni pri uporabi naprave z ožičenimi slušalkami. Če se slušalke ovijejo okoli vašega vratu, se lahko zadavite.

Vklop in izklop naprave

-  : vključite način varčevanja energije.
-  : vključite način pošiljanja.
-  : izklopite napravo.

 Upoštevajte vsa objavljena opozorila in smernice pooblaščenega osebja, kjer je uporaba brezžičnih naprav omejena, kot na primer na letalih ali v bolnicah.

Uporaba naprave

Bluetooth

O Bluetooth

Bluetooth je standard za brezžično tehnologijo, ki uporablja 2,4 GHz frekvenco za povezavo različnih naprav preko kratkih razdalj. Brez povezovanja prek kablov se lahko poveže in izmenja podatke z drugimi napravami, ki podpirajo Bluetooth, kot so mobilne naprave, računalniki, tiskalniki in druge digitalne domače naprave.

Obvestila za uporabo Bluetooth

- Da se izognete težavam pri povezovanju vaše naprave z drugo napravo, postavite napravi v bližino drug druge.
- Poskrbite, da sta vaša naprava in druga naprava Bluetooth znotraj območja povezave Bluetooth (10 m). Razdalja je lahko odvisna od okolja, v katerem uporabljate naprave.
- Zagotovite, da med slušalkami in priključeno napravo ni ovir, velja tudi za človeško telo, stene, vogale stavb ali ograje.
- Ne dotikajte se Bluetooth antene priključene naprave.
- Bluetooth uporablja enake frekvence kot nekateri industrijski, znanstveni, medicinski in energijsko varčni izdelki, hkrati pa se lahko pri povezovanju v bližini teh tipov izdelkov pojavijo motnje.
- Nekatero naprave, še posebej tiste, ki jih ni testiralo ali odobrilo združenje Bluetooth SIG, morda niso združljive s slušalkami.
- Funkcije Bluetooth ne uporabljajte za nezakonite namene (na primer, nezakonito kopiranje datotek ali prisluškovanje komunikacijam za poslovne namene).

Povezava z drugimi napravami



Kakovost zvoka in uporabni razpon med napravo Level Link in priključene avdio naprave je lahko odvisen od avdio naprav, ki podpirajo Bluetooth.

Povezovanje v načinu prejemanja

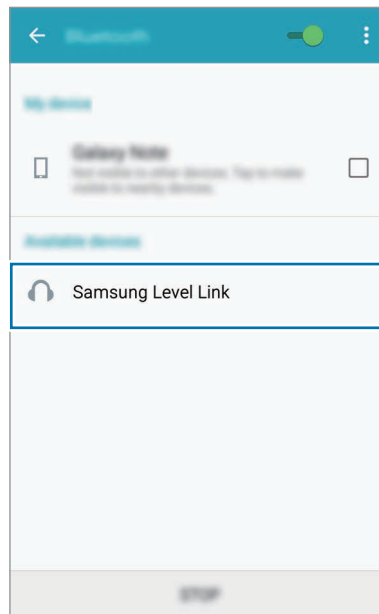
Ko je vaš Level Link povezan z napravami, ki omogočajo funkcijo Bluetooth, lahko prejimate dohodne klice in poslušate glasbo. Ko vklopite Level Link prvič, se vključi način za seznanjanje prek povezave Bluetooth.



- Ko seznanjate napravo Level Link z drugimi napravami prek Bluetooth prvič, se naprava Level Link samodejno poveže s seznanjenimi napravami. Če se naprava Level Link ne poveže, vklopi način za seznanjanje prek povezave Bluetooth.
- Naprava Level Link lahko shrani informacije o napravi za do osem naprav. Če ste napravo Level Link povezali na več kot eno napravo, se poveže na najbolj nedavno seznanjeno napravo.

- 1 Level Link** Potisnite stikalo za način v levo, da vključite način za sprejemanje.
- 2 Level Link** Pritisnite in zadržite večfunkcijsko tipko za 3 sekunde, da vklopite način seznanjanja prek povezave Bluetooth.
- 3 Druge naprave** Vključite funkcijo Bluetooth in poiščite druge naprave Bluetooth.
Za več informacij glejte navodila za uporabo druge naprave.

4 **Druge naprave** Pritisnite **Samsung Level Link** s seznama.



5 **Level Link** Priključite slušalke na Level Link.

Oziroma priključite Level Link na pomožni vhodni priključek izhodne avdio naprave prek avdio kabla.



Če priključite Level Link prek avdio kabla na izhodni avdio priključek TV sprejemnika ali računalnika, se lahko v tem načinu vaš Level Link poškoduje.

Povezovanje v načinu pošiljanja

Prek avdio kabla priključite vašo napravo na večpredstavnostni predvajalnik. Večpredstavnostne datoteke lahko poslušate prek druge avdio naprave, kot so slušalke Bluetooth. Ko vklopite Level Link prvič, se vključi način za seznanjanje prek povezave Bluetooth.



- Ko seznanjate napravo Level Link z drugimi napravami prek Bluetooth prvič, se naprava Level Link samodejno poveže s seznanjenimi napravami. Če se naprava Level Link ne poveže, vklopi način za seznanjanje prek povezave Bluetooth.
- Naprava Level Link lahko shrani informacije o napravi za do osem naprav. Če ste napravo Level Link povezali na več kot eno napravo, se poveže na najbolj nedavno seznanjeno napravo.

- 1 Level Link** Potisnite stikalo za način v desno, da vključite način za pošiljanje.
- 2 Level Link** Pritisnite in zadržite večfunkcijsko tipko za 3 sekunde, da vklopite način seznanjanja prek povezave Bluetooth.
- 3 Level Link** Postavite vašo napravo Level Link največ 30 cm od seznanjene avdio naprave. Naprava Level Link in avdio naprava sta zdaj povezani prek funkcije Bluetooth. Če povezave ni moč vzpostaviti, izklopite avdio napravo in jo ponovno vklopite. Nato ponovite zgornje korake.
- 4** Vstavite avdio kabel v Vhodni priključek za zvok naprave Level Link. Nato vstavite drugi konec avdio kabla v izhodni avdio priključek večpredstavnostnega predvajalnika.



- Metoda za povezavo prek Bluetooth je lahko odvisna od povezanih naprav. Za več informacij glejte navodila za uporabo povezane naprave.
- Ko je naprava Level Link priključena na televizijo v načinu pošiljanja, se lahko pojavijo težave pri usklajevanju govora in slike. Priporočamo vam, da priključite napravo Level Link na televizijo, ki podpira kodek aptX za nizko zakasnitev.
- Pri uporabi naprave Level Link z večpredstavnostnim predvajalnikom, znižajte glasnost večpredstavnostnega predvajalnika preden odklopite avdio kabel, da preprečite nenadne, glasne zvoke.
- Lahko se pojavijo nihanja glasnosti ali šum, odvisno od glasnosti povezanega večpredstavnostnega predvajalnika. Da se izognete temu, primerno prilagodite zvok večpredstavnostnega predvajalnika.

Povezovanje dodatnih naprav

V načinu za sprejemanje ali pošiljanje se lahko vaša naprava Level Link poveže z do dvema napravama prej povezave Bluetooth.

- 1 V načinu za sprejemanje ali pošiljanje povežite vašo napravo Level Link na prvo napravo.
- 2 Priključite napravo Level Link na drugo napravo prek povezave Bluetooth z uporabo povezovalne metode, ki ste jo uporabili pri prvi napravi.



- V načinu za prejemanje, če se naprava Level Link ne prikaže na seznamu zaznanih naprav, pritisnite in zadržite večfunkcijsko tipko za približno 3 sekunde, da vstopite v način za seznanjanja prek povezave Bluetooth.
- Naprava Level Link v oddajnem načinu podpira kodek aptX z majhno latenco, če je povezana z eno avdio napravo. Če sta z napravo Level Link povezani dve avdio napravi, kodek aptX ni podprt, video in avdio izhod pa morda ne bosta sinhronizirana.
- V načinu za pošiljanje se lahko razpon uporabe med napravo Level Link in drugimi napravami zmanjša.

Ponovna povezava in odklop z drugih naprav

Ponovna povezava z napravami

Ko je povezava med Level Link in avdio napravo prekinjena zaradi razdalje med njima, približajte napravi in pritisnite večfunkcijsko tipko za ponovno seznanitev le-teh. Oziroma, uporabite meni Bluetooth na avdio napravi, da seznanite napravi.

Prekinitev povezave z napravami

Da odklopite napravo Level Link z avdio naprave, izklopite vašo napravo ali prekinite povezavo med napravama. Če ste napravi povezali prek avdio kabla, odklopite kabel z obeh naprav.

Uporaba načinov za sprejemanje in pošiljanje

V načinu za sprejemanje lahko zaženete S Voice, odgovorite na dohodne klice ali predvajate večpredstavnostne datoteke. V tem načinu uporabite vašo napravo Level Link s slušalkami ali povežite napravo Level Link z avdio napravo prek avdio kabla.

V načinu za pošiljanje lahko poslušate avdio z večpredstavnostnega predvajalnika prek priključene avdio naprave.



- Razpoložljive funkcije so lahko odvisne od naprave s katero se povežete. Nekatere funkcije morda ne bodo na voljo, če napravo Level Link povežete z dvema napravama hkrati.
- Nekatere funkcije so na voljo samo, ko Level Link priključite na napravo prek prostoročnega profila (HFP).
- Lokacija mikrofona je odvisna od načina nošenja naprave Level Link. Položaj naprave Level Link lahko vpliva na kakovost zvoka med klici.

Zagon S Voice

Pritisnite večfunkcijsko tipko za 1 sekundo. Če priključena naprava podpira S Voice, lahko uporabljate aplikacijo prek naprave Level Link.

Sprejemanje in zavračanje klicev

Sprejemanje klica

Pritisnite tipko za klic, da sprejmete klice na priključeni napravi.

Zavračanje klica

Pritisnite in zadržite tipko za klic, da zavrnete klice na priključeni napravi.

Uporaba možnosti med klicem

Prilagoditev glasnosti

Med klicem pritisnite tipko za glasnost, da prilagodite glasnost.

Preklop izhoda za zvok

Pritisnite in zadržite tipko za klic, da posredujete klice z naprave Level Link na priključeno napravo. Razpoložljivost te funkcije je lahko odvisna od priključene naprave.

Končanje klica

Pritisnite tipko za klic za končanje klica.

Predvajanje večpredstavnostih datotek

Predvajajte večpredstavnostne datoteke v načinu za prejemanje in pošiljanje. Razpoložljive funkcije so lahko odvisne od uporabljenega načina.

Predvajanje in zaustavitev večpredstavnostne datoteke

Pritisnite večfunkcijsko tipko za predvajanje najbolj nedavne večpredstavnostne datoteke na priključeni napravi.

Pritisnite večfunkcijsko tipko, da začasno zaustavite predvajanje. Za nadaljevanje predvajanja ponovno pritisnite večfunkcijsko tipko.

Preskok na prejšnjo ali naslednjo večpredstavnostno datoteko

Pritisnite tipko REW ali FF, da preskočite na prejšnjo ali naslednjo datoteko med predvajanjem.

Hitro previjanje večpredstavnostne datoteke nazaj ali naprej

Pritisnite in zadržite tipko REW ali FF za hitro previjanje datoteke nazaj ali naprej med predvajanjem.

Prilagoditev glasnosti

Pritisnite tipko za glasnost, da prilagodite glasnost.



- Ko je naprava Level Link priključena na dve napravi, lahko predvajate večpredstavnostne datoteke z obeh naprav. Za predvajanje večpredstavnostne datoteke z različnih naprav, najprej začasno zaustavite predvajanje z druge naprave.
- Pri predvajanju večpredstavnostne datoteke z ene naprave, lahko še vedno sprejemate klice z druge naprave.
- Če je razlika v izhodni moči avdio kabla in priključene avdio naprave v načinu za pošiljanje, lahko glasnost zvoka naprave Level Link niha.

Izvršitev ponastavitve podatkov

Ko je vaša naprava Level Link priključena z napravo prek povezave Bluetooth, se informacije o napravi Level Link, kot so naslov Bluetooth in vrsta naprave, shranijo na priključeno napravo. Za izbris podatkov o povezavi naprave Level Link pritisnite in zadržite večfunkcijsko tipko za približno 3 sekunde, da vklopite način seznanjanja prek povezave Bluetooth. Nato hkrati pritisnite in zadržite tipki REW in FF in večfunkcijsko tipko za 3 sekunde.

Dodatek

Odpravljanje težav

Preden se obrnete na servisni center Samsung poizkusite naslednje. Nekateri primeri morda ne bodo veljali za vašo napravo.

Vaša naprava ni vklopljena

Ko je baterija v celoti izpraznjena, se vaša naprava ne bo vklopila. V celoti napolnite baterijo preden vklopite napravo.

Baterija se ne polni pravilno (za polnilnike odobrene od podjetja Samsung)

- Poskrbite, da je polnilnik pravilno priključen.
- Obiščite servisni center Samsung, kjer vam bodo zamenjali baterijo.

Druga naprava Bluetooth ne najde vaše naprave

- Poskrbite, da je vaša naprava v načinu za seznanjanje prek Bluetooth.
- Ponovno zaženite napravo in poiščite naprave Bluetooth.
- Poskrbite, da sta vaša naprava in druga naprava Bluetooth znotraj območja povezave Bluetooth (10 m).

Če zgoraj navedeni nasveti ne odpravijo težave, se obrnite na servisni center Samsung.

Druge naprave Bluetooth ni moč najti

- Poskrbite, da naprava, s katero se želite povezati, podpira brezžično funkcijo Bluetooth.
- Zagotovite, da sta vaša naprava in druga naprava Bluetooth znotraj največjega razpona funkcije Bluetooth (10 m).

Povezava Bluetooth je večkrat prekinjena

- Če se med napravama nahajajo ovire, se lahko razdalja delovanja skrajša.
- Zagotovite, da sta vaša naprava in druga naprava Bluetooth znotraj največjega razpona funkcije Bluetooth (10 m).
- Pri uporabi naprave z drugimi napravami Bluetooth lahko na povezavo vplivajo elektromagnetni valovi. Napravo uporabljajte v okoljih, kjer ni večjega števila brezžičnih naprav.

Ne slišite sogovornikov

- Prilagodite glasnost naprave.
- Prilagodite glasnost na priključeni napravi, če ne slišite zvokov vaše naprave pri polni glasnosti.

Zvok odmeva med klicem

Prilagodite glasnost s pritiskom tipke za glasnost ali se prestavite v drug prostor.

Drugi vas ne slišijo govoriti med klicem

- Poskrbite, da ne pokrivaste vdelan mikrofona.
- Poskrbite, da je mikrofona v bližini vaših ust.

Kakovost zvoka je slaba

- Storitve brezžičnega omrežja so lahko onemogočena zaradi težav z omrežjem ponudnika storitve. Poskrbite, da napravo držite proč od elektromagnetnih valov.
- Zagotovite, da sta vaša naprava in druga naprava Bluetooth znotraj največjega razpona funkcije Bluetooth (10 m).

Naprava deluje drugače kot je opisano v priročniku

- Razpoložljivost funkcij je lahko odvisna od priključene naprave.
- Nekaterih funkcij ne morete uporabljati, če ste hkrati na napravo priključili dve napravi.

Baterija se sprazni hitreje kot ob prvotnem nakupu

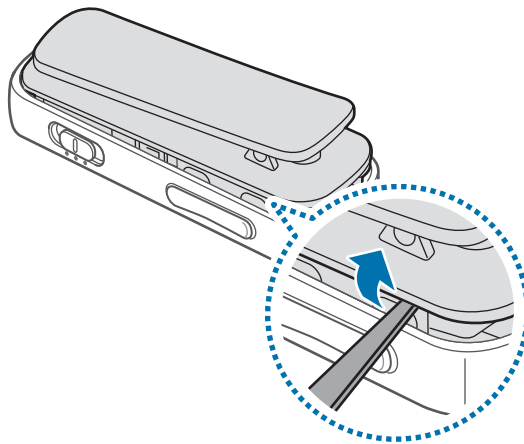
- Če napravo ali baterijo izpostavite zelo nizkim ali visokim temperaturam, se lahko uporaben električni naboj zmanjša.
- Baterija je potrošnji material in uporaben električni naboj se bo čez čas zmanjšal.

Odstranjevanje baterije (neodstranljivi tip)



- Ta navodila so namenjena samo za vašega ponudnika storitev ali pooblaščenega serviserja.
- Garancija ne krije poškodb ali okvar, ki so posledica nepooblaščne odstranitve baterije.
- Če želite odstraniti ali zamenjati baterijo, se obrnite na vašega ponudnika storitev ali na pooblaščenega serviserja.

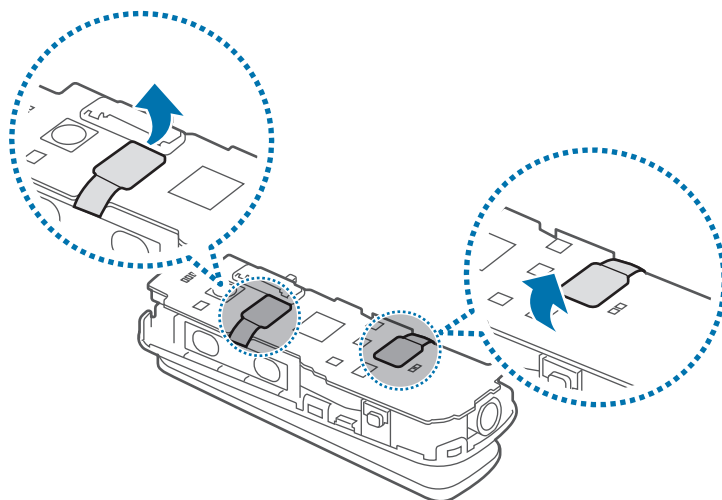
- 1 Vstavite tanko, ravno orodje v razpoko med pokrovom in ohišjem naprave.
Nato ju z orodjem ločite kot to prikazuje spodnja slika.



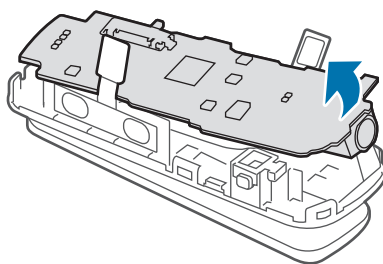
- Pri vstavljanju orodja bodite pozorni, da ne poškodujete notranjih komponent naprave.

- 2 Ko snamete pokrov, ga postavite na stran.

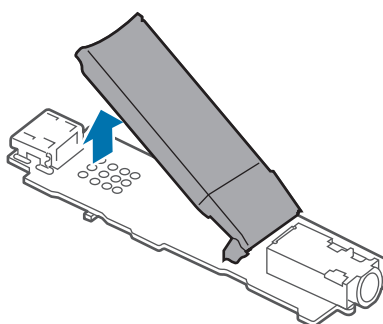
3 Odklopite priključke baterije.



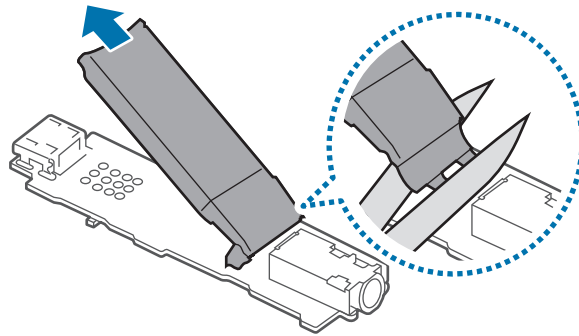
4 Odstranite vezje tako, da ga snamete z ohišja naprave in ga položite na ravno površino obrnjenega navzdol.



5 Pritisnite dol na vhod za polnjenje in povlecite baterijo navzgor, da jo sprostite z vezja.



6 Ločite baterijo od vezja in prerežite povezavo na kraju, ki ga prikazuje spodnja slika.



7 Odstranite baterijo.

Izjava o skladnosti

Informacije o izdelku

Za naslednji

Izdelek : Ključ Bluetooth

Model(e) : EO-RG920



Deklaracija in veljavni standardi

Izjavljamo, da je zgoraj naveden izdelek v skladu z bistvenimi zahtevami Direktive o radijski opremi in telekomunikacijski terminalski opremi (1999/5/ES) zaradi uporabe:

Varnost	EN 60950-1 : 2006 + A11 : 2009 + A1 : 2010 + A12 : 2011
SAR	EN 50566 : 2013 EN 62479 : 2010
EMC	EN 301 489-01 V1.9.2 (2011-09) EN 301 489-17 V2.2.1 (2012-09)
Radio	EN 300 328 V1.8.1 (2012-06)

in Direktivo (2011/65/EU) o omejitvah uporabe določenih nevarnih snovi v električni in elektronski opremi, ki se izvaja po EN 50581:2012.

Predstavnik v EU

Samsung Electronics Euro QA Lab.
Blackbushe Business Park
Saxony Way, Yateley, Hampshire
GU46 6GG, UK



2015.01.27

(mesto in datum izdaje)

Stephen Colclough / Zastopnik za EU

(ime in podpis pooblaščenice osebe)

* To ni naslov servisnega centra Samsung. Naslov in telefonsko številko Servisnega centra Samsung najdete na garancijskem listu, lahko pa kontaktirate prodajalca, kjer ste kupili svoj izdelek.

Avtorske pravice

Avtorske pravice © 2015 Samsung Electronics

Ta priročnik je zaščiten z mednarodnimi zakoni o avtorskih pravicah.

Noben del tega priročnika se ne sme reproducirati, distribuirati, prevesti ali prenašati v kakršnikoli obliki ali na kakršenkoli način, v elektronski ali mehanski obliki, vključno s fotokopiranjem, snemanjem ali shranjevanjem v kakršnemkoli sistemu za shranjevanje in pridobivanje podatkov, brez predhodnega pisnega dovoljenja družbe Samsung Electronics.

Blagovne znamke

- SAMSUNG in logotip SAMSUNG sta registrirani blagovni znamki družbe Samsung Electronics.
- Bluetooth® je registrirana blagovna znamka združenja Bluetooth SIG, Inc. po vsem svetu.
- Vse druge blagovne znamke in avtorske pravice so last njihovih ustreznih lastnikov.

Önce bu kılavuzu okuyun

Lütfen güvenilir ve doğru kullandığınızdan emin olmak için cihazı kullanmadan önce bu kılavuzu okuyun.

- Tanımlarda cihazın varsayılan ayarları esas alınmıştır.
- Görüntüler gerçek ürünün görüntüsünden farklı olabilir. İçerik önceden haber verilmeden değiştirilebilir.
- Bu cihaz Türkiye altyapısına uygundur.

Talimat simgeleri



Uyarı: Sizin ve diğerlerinin yaralanmasına yol açabilecek durumlar



Dikkat: Cihazınızın ve diğer ekipmanların hasar görmesine yol açabilecek durumlar



Not: Notlar, kullanım ipuçları veya ek bilgiler

Başlarken

Level Link Hakkında

Level Link alış modunu ve gönderme modunu destekler. Alış modunda, kulaklıkları Level Link'e bağlayarak Bluetooth özellikli akıllı telefon veya tablet gibi cihazlarda Bluetooth kulaklığı olarak kullanabilirsiniz. Gönderme modunda, cihazı bilgisayarları, Televizyonları, Bluetooth kulaklıkları ve daha fazlasını bağlayan bir güvenlik cihazı olarak kullanabilirsiniz.

Alış modunda, aşağıdaki özellikleri kullanabilirsiniz:

- S Voice'i Başlatma
- Aramaları kabul etme veya sonlandırma
- Multimedya dosyalarının kontrol edilmesi

Gönderme modunda, bağlı multimedya cihazların sesini oynatabilirsiniz.

Paket içindekiler

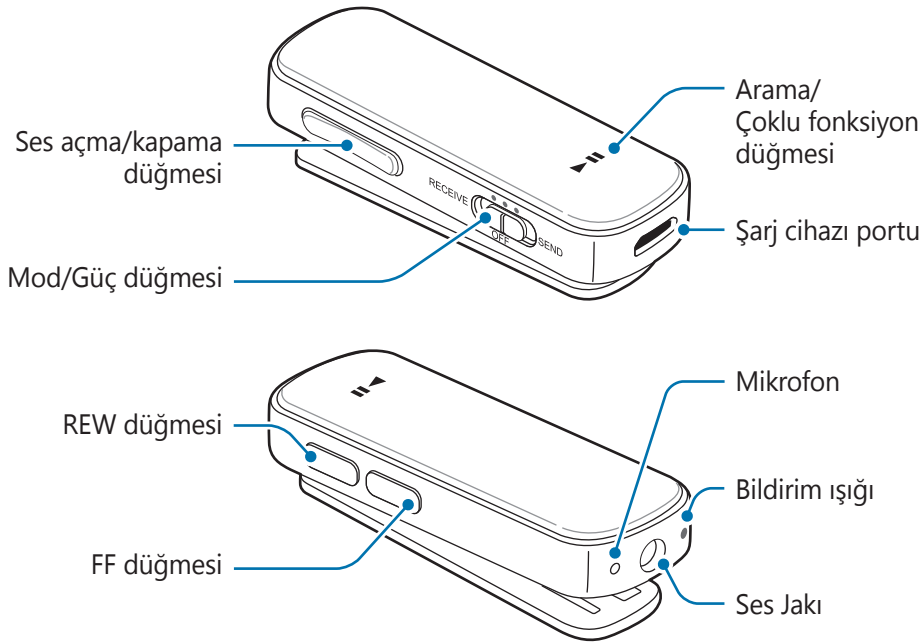
Ürün kutusunda aşağıdaki öğelerin bulunup bulunmadığını kontrol edin:

- Cihaz
- Kulaklıklar
- USB kablo
- Ses kablosu
- Hızlı başlangıç kılavuzu



- Cihaz ile birlikte tedarik edilen öğeler ve herhangi bir mevcut aksesuar bölgeye veya servis sağlayıcısına bağlı olarak farklılık gösterebilir.
- Sunulan öğeler sadece bu cihaz için tasarlanmıştır ve diğer cihazlarla uyumlu olmayabilir.
- Görüntüler ve teknik özellikler önceden haber verilmeden değiştirilebilir.
- Yerel Samsung bayinizden ek aksesuarlar satın alabilirsiniz. Satın almadan önce cihazla uyumlu olduklarından emin olun.
- Yalnızca Samsung tarafından onaylanan aksesuarları kullanın. Onaylanmamış aksesuarların kullanımı performans sorunlarına ve garanti kapsamı dışında kalan arızalara yol açabilir.
- Tüm cihazların kullanılabilirliği tamamen üretici şirkete bağlı olarak değişebilir. Kullanılabilir cihazlarla ilgili daha fazla bilgi için Samsung web sitesine bakınız.

Cihaz yerleşimi



Düğmeler ve işlevler

Adı	İşlev
Mod/Güç düğmesi	<ul style="list-style-type: none"> Alış modunu etkinleştirmek için sola, gönderme modunu etkinleştirmek için sağa kaydırın. Cihazı kapatmak için OFF konuma getirin.
Arama/Çoklu fonksiyon düğmesi	<ul style="list-style-type: none"> Alış modunda, S Voice'i başlatmak için basın ve 1 saniye basılı tutun. Alış modunda, bir aramayı yanıtlamak veya sonlandırmak için basın. Alış modunda, bir aramayı reddetmek için basın ve basılı tutun. Alış modunda, aramaları Level Link'ten diğer cihazınıza aktarmak veya tersini yapmak için basın ve basılı tutun. Alış modunda, multimedya dosyaları oynatmak veya durdurmak için basın. Alış modunda veya gönderme moduna, Bluetooth eşleşme moduna geçmek için basın ve 3 saniye basılı tutun.
Ses açma/kapama tuşu	<ul style="list-style-type: none"> Alış modunda, bir arama sırasında ses seviyesini ayarlamak için basın. Alış modunda, multimedya dosyaları oynatırken ses seviyesini ayarlamak için basın.
REW düğmesi / FF düğmeleri	<ul style="list-style-type: none"> Alış modunda, kayıttan oynatma sırasında önceki veya sonraki dosyayı oynatmak için basın. Alış modunda, kayıttan oynatma sırasında bir multimedya dosyasını geri veya hızlı ileri sarmak için basın ve basılı tutun.

Durum göstergesi

Durum	Renk
Bluetooth eşleştirme modu	<ul style="list-style-type: none"> Kırmızı, yeşil ve mavi yanıp sönme
Açma veya etkinleştirme modları	<ul style="list-style-type: none"> 3 kere mavi yanıp sönme
Güç kapalı	<ul style="list-style-type: none"> 3 kere kırmızı yanıp sönme
Gelen arama	<ul style="list-style-type: none"> Mavi yanıp sönme

Pili şarj etme

Level Link'i ilk defa kullanmadan önce veya Level Link uzun süre kullanılmadıysa bataryayı şarj edin.

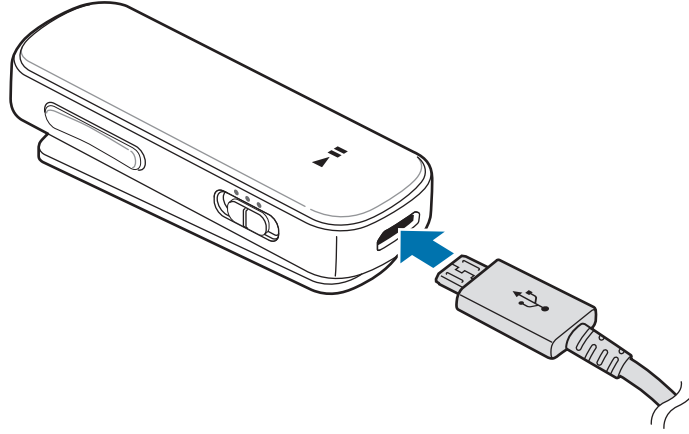


Sadece Samsung tarafından onaylanan şarj aletlerini, bataryaları ve kabloları kullanın. Onaylanmayan şarj aletleri veya kablolar pilin patlamasına veya kulaklığın zarar görmesine sebep olabilir.



Batarya tamamen boşalmışsa, kulaklık şarj aleti bağlanır bağlanmaz açılmayabilir. Kulaklığı açmadan önce, boş bir bataryanın dolması için birkaç dakika bekleyin.

USB kablosu ile cihazı bir bilgisayara veya USB güç adaptörüne bağlayın.



Şarj aletinin yanlış bağlanması cihaza ciddi ölçüde hasar verebilir. Yanlış kullanımdan kaynaklı hiçbir hasar garanti kapsamına girmez.



- Cihaz şarj edilirken kullanılabilir, ancak bataryanın tamamen şarj edilmesi daha uzun sürebilir.
- Cihaz şarj edilirken ısınabilir. Bu normaldir ve cihazın kullanım süresini veya performansını etkilemez. Batarya normalden daha fazla ısınırsa, şarj aleti şarj etmeyi durdurabilir.
- Cihaz doğru şekilde şarj etmiyorsa, cihazı ve şarj aletini bir Samsung Servis Merkezine götürün.

Şarj tamamlandıktan sonra, şarj aletini cihazdan çıkarın. İlk olarak şarj aletini cihazdan çıkarın ve ardından elektrik prizinden çıkarın.



Enerjiden tasarruf etmek için, kullanmadığınızda şarj aletini elektrik prizinden çıkarın. Şarj aletinde güç düğmesi yoktur, dolayısıyla elektriği boşa harcamamak için kullanmadığınızda şarj aletini elektrik prizinden çıkarmanız gereklidir. Şarj cihazı elektrik prizine yakın durmalı ve şarj sırasında kolay erişilmelidir.

Pil seviyesinin kontrolü

Ses açma ve çoklu fonksiyon düğmesini 1 saniye boyunca aynı anda basın ve basılı tutun. Bilgilendirme ışığı şarj etme durumuna göre farklı renklerde olmak üzere üç kere yanıp söner.

Durum	Renk
%30'dan az	• Kırmızı
%30–60	• Sarı
%60'tan fazla	• Yeşil

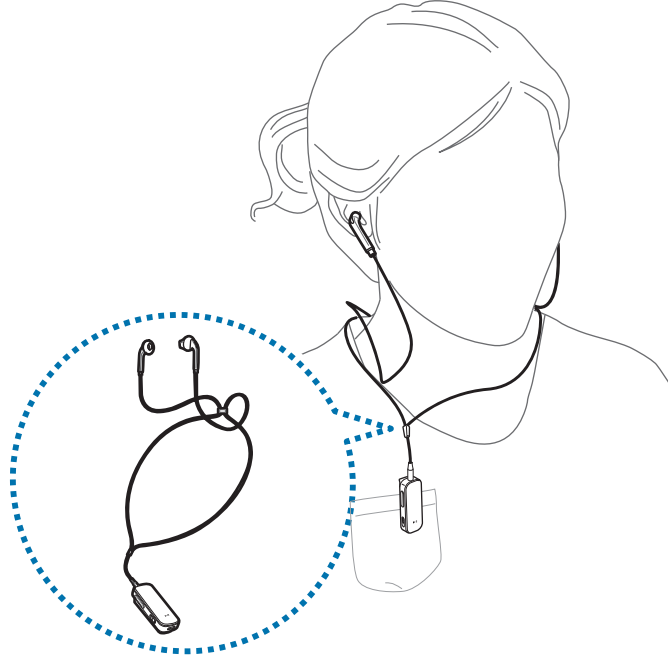
Cihaz ve kulaklıkların vücuda bağlanması

Sunulan kulaklıkları Level Link'e bağlayın ve bunları boynunuzun çevresine sarın.

- 1 Kulaklıkları Level Link'in ses jakına takın.
- 2 Kulaklık kaskacını başınızın sığabileceği genişlikte ayarlayın.

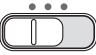
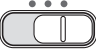

3 Level Link'i giysilerinize tutturun.

4 Kulaklıkları boynunuzun etrafından dolayın ve kulaklıkları takın.



Bu cihazı kablolu kulaklıklarla birlikte kullanırken dikkatli olun. Kulaklıklar boynunuza dolarsa boğulabilirsiniz.

Cihazı açma ve kapama

-  : Alış modunu etkinleştirin.
-  : Gönderim modunu etkinleştirin.
-  : Cihazı kapatın.



Havaalanları ve hastaneler gibi kablosuz cihazların kullanımının sınırlandırıldığı alanlarda yetkili personelden gönderilen tüm uyarı ve yönlendirmelere uyun.

Cihazı kullanma

Bluetooth

Bluetooth Hakkında

Bluetooth kısa mesafeden çeşitli cihazlara bağlanmak için 2,4 GHz frekans kullanan bir kablosuz teknoloji standardıdır. Mobil cihazlar, bilgisayarlar, yazıcılar ve diğer dijital ev aletleri gibi Bluetooth özellikli cihazlara kablolarla bağlı olmadan bağlanabilir ve veri alışverişi yapabilir.

Bluetooth kullanımı için bildirimler

- Cihazınızı başka bir cihaza bağlarken, sorunları önlemek için cihazları birbirine yakın konuma getirin.
- Cihazınızın ve diğer Bluetooth cihazın Bluetooth bağlantı aralığında (10 m) olduğundan emin olun. Mesafe cihazların kullanıldığı ortama bağlı olarak farklılık gösterebilir.
- Kablosuz bağlantı kullanırken kulaklıkla bağlanılan cihaz arasında insan vücudu, duvar, köşe veya çit gibi engeller bulunmadığından emin olun.
- Bağlı bir cihazın Bluetooth antenine dokunmayın.
- Bluetooth, bazı endüstriyel, bilimsel, tıbbi ve düşük güç gerektiren ürünler ile aynı frekansı kullanır ve bu tür ürünlerin yanında bağlantı kurarken etkileşim oluşabilir.
- Özellikle Bluetooth SIG tarafından test edilmeyen veya onaylanmayan bazı cihazlar kulaklıkla uyumlu olmayabilir.
- Bluetooth özelliğini yasadışı amaçlar doğrultusunda kullanmayın (örneğin, dosyaların izinsiz kopyalanması veya ticari amaçlar doğrultusunda yasadışı iletişim kurma).

Diğer cihazlara bağlanma



Ses kalitesi ve Level Link ve bağlı ses cihazları arasındaki kullanım aralığı Bluetooth özellikli ses cihazlarına bağlı olarak değişebilir.

Alış modunda bağlantı

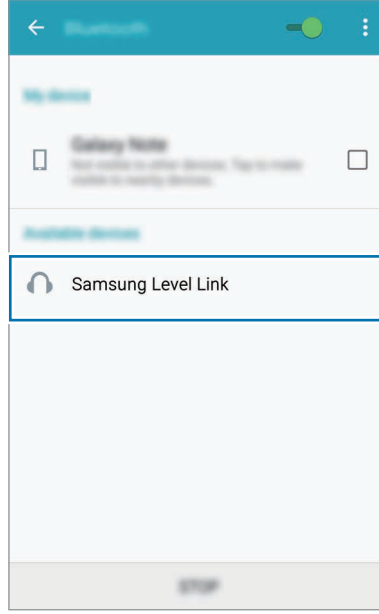
Level Link'iniz Bluetooth özelliği etkin cihazlara bağlıyken gelen aramaları alabilirsiniz veya müzik dinleyebilirsiniz. Level Link'i ilk kez açtığınızda, Bluetooth eşleştirme moduna geçer.



- Level Link'i Bluetooth üzerinden ilk defa diğer cihazlarla eşleştirirken, Level Link otomatik olarak eşleştirilmiş cihazlara bağlanır. Level Link bağlanamazsa, Bluetooth eşleştirme moduna geçer.
- Level Link sekiz cihaza kadar cihaz bilgilerini saklayabilir. Level Link birden fazla cihaza bağlanmışsa, son olarak eşleştirilmiş cihaza bağlanır.

- 1 Level Link** Alış modunu etkinleştirmek için Mod düğmesini sola kaydırın.
- 2 Level Link** Bluetooth eşleştirme moduna girmek için Çoklu fonksiyon düğmesine basın ve yaklaşık 3 saniye basılı tutun.
- 3 Başka cihaz** Bluetooth özelliğini etkinleştirin ve Bluetooth cihazlarını arayın.
Daha fazla bilgi için diğer cihazın kullanım kılavuzuna bakın.

4 **Başka cihaz** Listeden **Samsung Level Link**'e Tıklayın.



5 **Level Link** Kulaklıkları Level Link'e bağlayın.

Ya da, Level Link'i bir ses kablosu üzerinden bir ses çıkış cihazının yardımcı girişine bağlayın.



Bu modda Level Link'i bir ses kablosuyla bir TV'ye veya bir bilgisayarın ses çıkışına bağlarsanız Level Link'iniz zarar görebilir.

Gönderme modunda bağlantı

Cihazınızı ses kablosunu kullanarak bir multimedya cihazına bağlayın. Bluetooth kulaklığı gibi başka bir ses cihazı üzerinden multimedya dosyalarını dinleyebilirsiniz. Level Link'i ilk kez açtığınızda, Bluetooth eşleştirme moduna geçer.



- Level Link'i Bluetooth üzerinden ilk defa diğer cihazlarla eşleştirirken, Level Link otomatik olarak eşleştirilmiş cihazlara bağlanır. Level Link bağlanamazsa, Bluetooth eşleştirme moduna geçer.
- Level Link sekiz cihaza kadar cihaz bilgilerini saklayabilir. Level Link birden fazla cihaza bağlanmışsa, son olarak eşleştirilmiş cihaza bağlanır.

- 1 Level Link** Gönderme modunu etkinleştirmek için Mod .düğmesini sağa kaydırın.
- 2 Level Link** Bluetooth eşleştirme moduna girmek için Çoklu fonksiyon düğmesine basın ve yaklaşık 3 saniye basılı tutun.
- 3 Level Link** Level Link'inizi eşleştirilmiş ses cihazının yaklaşık 30 cm yakınına yerleştirin. Level Link ve ses cihazı artık Bluetooth üzerinden bağlıdır. Bağlantı başarısız olursa, ses cihazını kapatın ve yeniden açın. Ardından, yukarıdaki adımları tekrarlayın.
- 4** Ses kablosunu Level Link'in ses jakına takın. Ardından ses kablosunun diğer ucunu multimedya çaların ses çıkışına takın.



- Bluetooth üzerinden bağlanma yöntemi bağlı cihazlara bağlı olarak farklılık gösterebilir. Ayrıntılı bilgi için, bağlı cihazın kullanım kılavuzuna bağlayın.
- Level Link gönderme modunda bir TV'ye bağlıyken görüntü-ses senkronizasyonu problemleri oluşabilir. Level Link'in aptX Low Latency kodekini destekleyen bir TV'ye bağlamanız önerilir.
- Level Link'i bir multimedya çalar ile birlikte kullanırken ani yüksek sesleri önlemek için ses kablosunu çıkarmadan önce multimedya çaların sesini kapatın.
- Bağlı multimedya çaların ses seviyesine bağlı olarak ses seviyesinde düşüşlerle veya gürültüyle karşılaşabilirsiniz. Bunu önlemek için, multimedya çaların sesini uygun şekilde ayarlayın.

Başka cihazları bağlamak

Alış modunda veya gönderme modunda, Level Link'iniz Bluetooth üzerinden ikiye kadar cihaza bağlanabilir.

- 1 Alış modunda veya gönderme modunda, Level Link'inizi ilk cihaza bağlayın.
- 2 İlk cihaz için kullanılan bağlantı yöntemini kullanarak Level Link'i Bluetooth üzerinden ikinci bir cihaza bağlayın.



- Alış modunda, Level Link algılanan cihazlar listesinde belirmezse, Bluetooth eşleştirme moduna geçmek için Çok fonksiyonlu düğmeye basın ve yaklaşık 3 saniye basılı tutun.
- Gönderim modunda, bir müzik cihazına bağlıyken Level Link aptX düşük gecikme süreli kodeğini destekler. İki müzik cihazı aynı anda Level Link'e bağlıysa aptX kodeği desteklenmez ve video ile ses senkronize edilemeyebilir.
- Gönderme modunda, Level Link ve diğer cihazlar arasındaki kullanım aralığı azalabilir.

Diğer cihazlarla tekrar bağlantı veya bağlantıyı kesme

Cihazları yeniden bağlama

Level Link'inizin cihazlar arasındaki mesafe nedeniyle bir ses cihazından bağlantısı kesilirse cihazları birbirine yaklaştırın ve Çoklu fonksiyon düğmesine basarak tekrar eşleştirin. Ayrıca cihazları eşleştirmek için ses cihazındaki Bluetooth menüsünü kullanabilirsiniz.

Cihazların bağlantısını kesme

Level Link'in ses cihazıyla olan bağlantısını kesmek için cihazınızı kapatın veya cihazların eşleştirmesini kaldırın. İki cihazı bir ses kablosuyla bağladıysanız kabloyu her iki cihazdan da çıkarın.

Gönderme ve alış modlarını kullanma

Alış modunda, S Voice'i başlatabilir, gelen aramaları yanıtlayabilir veya multimedya dosyalarını oynatabilirsiniz. Bu modda, Level Link'inizi kulaklıklarla kullanın veya Level Link'i bir ses kablosu üzerinden bir ses cihazına bağlayın.

Gönderme modunda, bağlı ses cihazı üzerinden multimedya çalardan gelen sesi dinleyebilirsiniz.



- Mevcut özellikler bağlı olduğunuz cihaza göre değişebilir. Level Link'in eş zamanlı olarak iki cihaza birden bağlanması durumunda bazı özellikler kullanılamayabilir.
- Bazı özellikler sadece Level Link bir cihaza Eller Serbest Profili (HFP) üzerinden bağlandığında kullanılabilir.
- Mikrofonun konumu Level Link'i vücudunuza bağlama şeklinize göre değişebilir. Level Link'in konumu aramalar sırasında ses kalitesini etkileyebilir.

S Voice'i Başlatma

Çoklu fonksiyon düğmesine 1 saniye süreyle basın. Bağlı cihaz S Voice'i destekliyse, uygulamayı Level Link üzerinden kullanabilirsiniz.

Aramaları yanıtlama ve reddetme

Bir aramayı yanıtlama

Bağlı cihaza yapılan aramaları yanıtlamak için Ara düğmesine basın.

Bir aramayı reddetme

Bağlı cihaza yapılan aramaları reddetmek için Ara düğmesine basın ve basılı tutun.

Bir arama sırasında seçenekleri kullanma

Ses seviyesini ayarlama

Bir arama sırasında, ses seviyesini ayarlamak için Ses açma/kapama düğmesi basın.

Ses çıkışı değiştirme

Level Link'ten bağlı cihaza yapılan aramaları aktarmak için Ara düğmesine basın ve basılı tutun. Bağlı cihaza bağlı olarak bu özellik kullanılamayabilir.

Bir aramayı sonlandırma

Bir aramayı sonlandırmak için Ara düğmesine basın.

Multimedya dosyalarının oynatılması

Multimedya dosyalarını alış veya gönderme modunda oynatın. Mevcut özellikler kullanılan moda göre değişebilir.

Bir multimedya dosyasını oynatmak ve durdurmak

Bağlı cihazdaki en son multimedya dosyasını oynatmak için Çoklu fonksiyon düğmesine basın. Kayıttan oynatmayı durdurmak için çoklu fonksiyon düğmesine basın. Kayıttan oynatmaya devam etmek için, Çoklu fonksiyon düğmesine yeniden basın.

Önceki veya sonraki multimedya dosyasına geçme

Kayıttan oynatma sırasında önceki veya sonraki dosyaya geçmek için REW düğmesine veya FF düğmesine basın.

Multimedya dosyasını geri veya hızlı ileri sarmak

Kayıttan oynatma sırasında dosyayı geri sarmak veya hızlı ileri sarmak için REW düğmesine veya FF düğmesine basın ve basılı tutun.

Ses seviyesini ayarlama

Ses seviyesini ayarlamak için Ses açma/kapama düğmesi basın.



- Level Link iki cihaza bağlı olduğunda, her iki cihazdan da multimedya dosyaları oynatabilirsiniz. Bir multimedya dosyasını farklı bir cihazdan oynatmak için, önce diğer cihazdaki kayıttan oynatmayı duraklatın.
- Bir multimedya cihazını bir cihazdan oynatırken, diğer cihazdan aramaları yanıtlamaya devam edebilirsiniz.
- Gönderme modunda ses kablosuyla bağlı ses cihazının çıkış güçleri arasında farklar varsa, Level Link'teki ses seviyesi farklılık gösterebilir.

Veri sıfırlamak

Level Link'iniz Bluetooth üzerinden bir cihaza bağlıysa, Level Link'in Bluetooth adresleri ve cihaz tipi gibi bilgileri bağlı cihazda saklanır. Level Link'in bağlantı bilgilerini silmek için, Bluetooth eşleştirme moduna geçmek amacıyla Çoklu fonksiyon düğmesine basın ve 3 saniye boyunca basılı tutun. Ardından eş zamanlı olarak REW, FF, ve Çoklu fonksiyon düğmelerine basın ve 3 saniye süreyle basılı tutun.

Ek

Sorun giderme

Bir Samsung Servis Merkeziyle iletişim kurmadan önce, lütfen aşağıdaki çözümleri deneyin. Bazı durumlar cihazınız için geçerli olmayabilir.

Cihazınız açılmıyor

Batarya tamamen boşalmışsa, cihazınız açılmaz. Cihazı açmadan önce bataryayı tamamen şarj edin.

Batarya uygun şekilde şarj olmuyor (Samsung onaylı şarj cihazları için)

- Şarj cihazının uygun şekilde bağlandığından emin olun.
- Bir Samsung Servis Merkezini ziyaret edin ve bataryanızı değiştirin.

Başka bir Bluetooth cihazı sizin cihazınızı konumlandıramıyor

- Cihazınızın Bluetooth eşleştirme modunda olduğundan emin olun.
- Cihazı sıfırlayın ve Bluetooth cihazlarını arayın.
- Cihazınızın ve diğer Bluetooth cihazın Bluetooth bağlantı aralığında (10 m) olduğundan emin olun.

Yukarıdaki ipuçları sorunu çözmüyorsa, bir Samsung Servis Merkeziyle iletişim kurun.

Başka bir Bluetooth cihazı konumlandırılmıyor

- Bağlanmak istediğiniz cihazın Bluetooth kablosuz özelliğini desteklediğinden emin olun.
- Cihazınızın ve diğer Bluetooth cihazın maksimum Bluetooth aralığında (10 m) olduğundan emin olun.

Bluetooth bağlantısı sıkça kesiliyor

- Eğer cihazlar arasında engeller varsa, çalışma mesafesi azalabilir.
- Cihazınızın ve diğer Bluetooth cihazın maksimum Bluetooth aralığında (10 m) olduğundan emin olun.
- Cihazı diğer Bluetooth cihazlarla kullanırken, bağlantı elektromanyetik dalgalardan etkilenebilir. Cihazı daha az kablosuz cihazların bulunduğu ortamlarda kullanın.

Diğerlerinin sesini duyamıyorsunuz

- Cihazın ses seviyesini ayarlayın.
- Cihazınızdaki sesleri tam ses seviyesinde duyamadığınızda, bağlı cihazdaki ses seviyesini ayarlayın.

Bir arama sırasında ses yankılanıyor

Ses açma/kapama düğmesi basarak sesi ayarlayın veya başka bir yere gidin.

Aramada diğerleri konuştuğunuzu duyamıyor

- Dahili mikrofonu kapatmadığınızdan emin olun.
- Mikrofonun ağızınıza yakın olduğundan emin olun.

Ses kalitesi düşük

- Kablosuz ağ servisleri servis sağlayıcının ağındaki sorunlardan dolayı devre dışı kalmış olabilir. Cihazın elektromanyetik dalgalardan uzak olduğundan emin olun.
- Cihazınızın ve diğer Bluetooth cihazın maksimum Bluetooth aralığında (10 m) olduğundan emin olun.

Cihaz kullanım kılavuzunda tanımlanandan farklı çalışıyor

- Mevcut fonksiyonlar bağlı cihaza bağlı olarak farklılık gösterebilir.
- Cihaza iki cihaz aynı anda bağlandığında bazı özellikler kullanılamayabilir.

Batarya ilk satın aldıđımdan daha abuk boşalıyor

- Bataryayı ok sıcak veya ok sođuk ortamlara maruz bıraktıđınızda, kullanılabilir řarj azalabilir.
- Batarya tükenebilir ve kullanılabilir řarj süresi zamanla azalır.

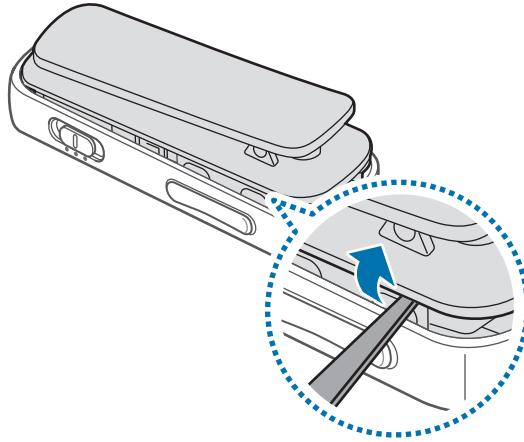
Pilin ıkarılması (sabit tip)



- Bu talimatlar yalnızca servis sağlayıcınız veya yetkili bir tamir atölyesi içindir.
- Pilin izinsiz olarak ıkarılmasından kaynaklı hasar veya arızalar garanti kapsamında değildir.
- Pili ıkarmak veya deđiřtirmek için, servis sağlayıcınız ya da yetkili bir tamir atölyesi ile iletişime geçin.

1 Kapakla cihaz gövdesi arasındaki boşluđa ince ve düz bir alet yerleřtirin.

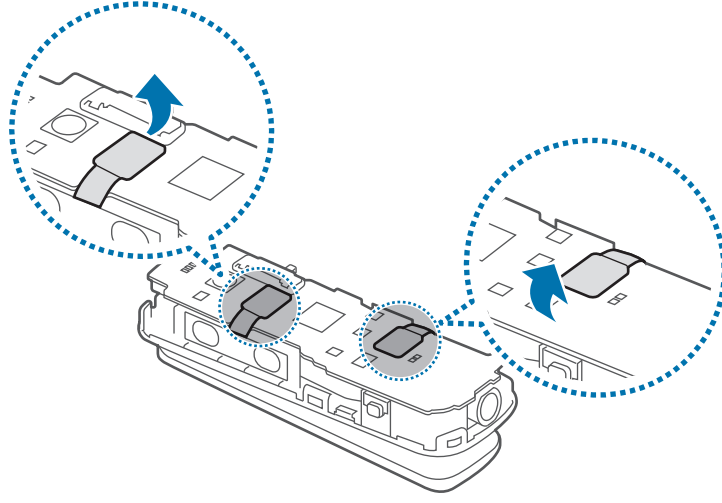
Daha sonra ařađıdaki resimde gösterildiđi üzere aleti kapakla cihaz gövdesini ayırmak için kullanın.



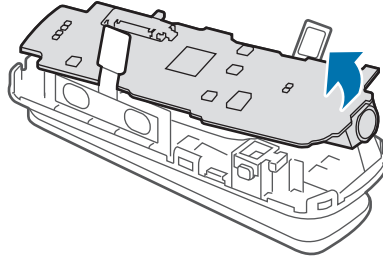
Aleti yerleřtirirken cihazın dahili bileřenlerine hasar vermemek için dikkatli olun.

2 Kapak ayrıldıđında, bir kenara koyun.

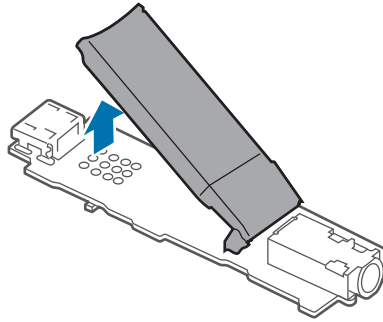
3 Batarya konnektörlerini ayırın.



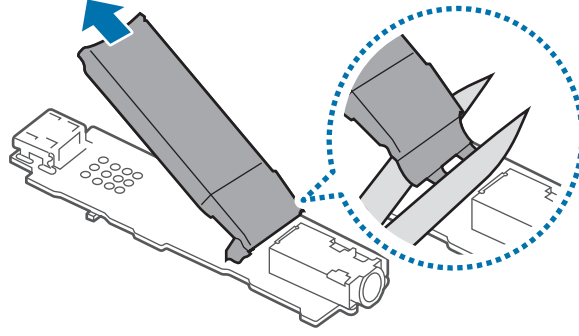
4 Devre kartını cihaz gövdesinden ayırarak çıkarın ve düz bir yüzeye yüz üstü bırakın.



5 Şarj portu üzerine bastırın ve bataryayı devre kartından ayırmak için yukarı doğru çekin.



6 Bataryayı çekerek devre kartından ayırın ve aşağıdaki resimde gösterilen şekilde bağlantılarını kesin.



7 Pili çıkartın.

* Cihazın kullanım ömrü 5 yıl, garanti süresi 2 yıldır.

* Samsung Çağrı Merkezi : 444 77 11

Üretici Firma: SAMSUNG ELECTRONICS CO., LTD
443-742 129, SAMSUNG-RO, YEONGTONG-GU
SUWON KYONGGI-DO SOUTH KOREA
Tel: +82-2-2255-0114

İthalatçı Firma: Samsung Electronics İstanbul Paz. ve
Tic. Ltd. Şti
Adres: Flatofis İstanbul İş Merkezi Otakçılar Cad.
No:78 Kat:3 No:B3 Eyüp 34050
İSTANBUL TÜRKİYE
Tel:+90 212 467 0600

Telif hakkı

Telif hakkı © 2015 Samsung Electronics

Bu kullanım kılavuzu uluslararası telif hakkı yasaları ile korunmaktadır.

Bu kullanım kılavuzunun hiçbir kısmı çoğaltılamaz, dağıtılamaz, tercüme edilemez veya elektronik veya mekanik olarak herhangi bir şekilde aktarılamaz ve bunlara Samsung Electronics'in önceden yazılı izni olmaksızın fotokopi çekme, kaydetme veya herhangi bir bilgi depolama ve alma sistemine saklama dahildir.

Ticari Markalar

- SAMSUNG ve SAMSUNG logosu, Samsung Electronics'in tescilli ticari markalarıdır.
- Bluetooth®, dünya çapında Bluetooth SIG, Inc. şirketinin tescilli ticari markasıdır.
- Diğer tüm ticari markalar ve telif hakları, kendi ilgili sahiplerinin mülkiyetidir.

Прочтите перед использованием

Пожалуйста, в целях правильного и безопасного использования устройства, прежде чем приступать к работе с ним, изучите руководство.

- Приведенные ниже описания основаны на настройках устройства по умолчанию.
- Внешний вид устройства может отличаться от изображений в данном руководстве. Содержимое может изменяться без предварительного уведомления.

Обозначения, используемые в данном руководстве



Предостережение — ситуации, которые могут привести к получению травмы вами или кем-либо из окружающих



Внимание — ситуации, которые могут привести к повреждению устройства или другого оборудования



Примечание — примечания, советы или дополнительные сведения

Начало работы

Информация об устройстве Samsung Level Link

Устройство Samsung Level Link поддерживает режимы приёма и передачи. В режиме приёма можно подключать наушники к Samsung Level Link и использовать их как гарнитуру Bluetooth для устройств с поддержкой Bluetooth, например для смартфонов и планшетов. В режиме передачи устройство можно использовать как адаптер, который позволяет подключаться к компьютерам, телевизорам, гарнитурам Bluetooth и другим устройствам.

В режиме приёма доступны следующие функции:

- Запуск приложения S Voice
- Принятие и завершение вызовов;
- Управление воспроизведением мультимедийных файлов.

В режиме передачи можно воспроизводить звукозаписи из подключенных мультимедийных устройств.

Комплект поставки

В комплект поставки входят следующие компоненты:

- Устройство
- Наушники;
- Кабель USB;
- Аудиокабель;
- Краткое руководство.



- Комплект поставки и набор доступных аксессуаров могут различаться в разных регионах и определяются поставщиком услуг.
- Поставляемые аксессуары предназначены исключительно для данного устройства и могут быть несовместимы с другими устройствами.
- Внешний вид изделий и технические характеристики могут быть изменены без предварительного уведомления.
- Дополнительные аксессуары можно приобрести у местных дилеров компании Samsung. Перед покупкой убедитесь, что они совместимы с вашим устройством.
- Применяйте только аксессуары, рекомендованные компанией Samsung. Использование нереконмендованных аксессуаров может привести к проблемам в работе и сбоям, на которые не распространяется гарантия.
- Доступность любых аксессуаров целиком и полностью зависит от производителя. Дополнительные сведения о доступных аксессуарах см. на веб-сайте Samsung.

Внешний вид устройства



Кнопки и функции

Элемент	Функция
Переключатель режимов/питания	<ul style="list-style-type: none"> Сдвиньте переключатель влево для включения режима приёма или вправо для включения режима передачи. Переведите переключатель питания в положение ВЫКЛ., чтобы выключить устройство.
Кнопка вызова/ многофункциональная кнопка	<ul style="list-style-type: none"> В режиме приёма нажмите и удерживайте эту кнопку на протяжении 1 секунды, чтобы запустить приложение S Voice. В режиме приёма нажмите эту кнопку, чтобы ответить на вызов или завершить его. В режиме приёма нажмите и удерживайте эту кнопку, чтобы отклонить вызов. В режиме приёма нажмите и удерживайте эту кнопку для переадресации вызовов с устройства Samsung Level Link на другое устройство и наоборот. В режиме приёма нажмите эту кнопку, чтобы воспроизвести мультимедийные файлы или остановить их воспроизведение. В режиме приёма или передачи нажмите и удерживайте эту кнопку в течение 3 секунд для перехода в режим сопряжения по Bluetooth.
Кнопка громкости	<ul style="list-style-type: none"> В режиме приёма нажмите эту кнопку, чтобы отрегулировать уровень громкости во время вызова. В режиме приёма нажмите эту кнопку, чтобы отрегулировать уровень громкости во время воспроизведения мультимедийных файлов.
Кнопка перемотки назад / кнопки быстрой перемотки вперед	<ul style="list-style-type: none"> В режиме приёма нажмите эту кнопку, чтобы воспроизвести предыдущий или следующий мультимедийный файл во время воспроизведения. В режиме приёма нажмите и удерживайте эту кнопку, чтобы перемотать мультимедийный файл назад или вперед во время воспроизведения.

Индикатор состояния

Состояние	Цвет
Режим сопряжения по Bluetooth	• Мигает красным, зеленым и синим
Включение питания или режимов	• Трижды мигает синим
Питание выключено	• Трижды мигает красным
Входящий вызов	• Мигает синим

Зарядка аккумулятора

Перед первым использованием устройства Samsung Level Link или после продолжительного периода, в течение которого оно не использовалось, необходимо зарядить аккумулятор.

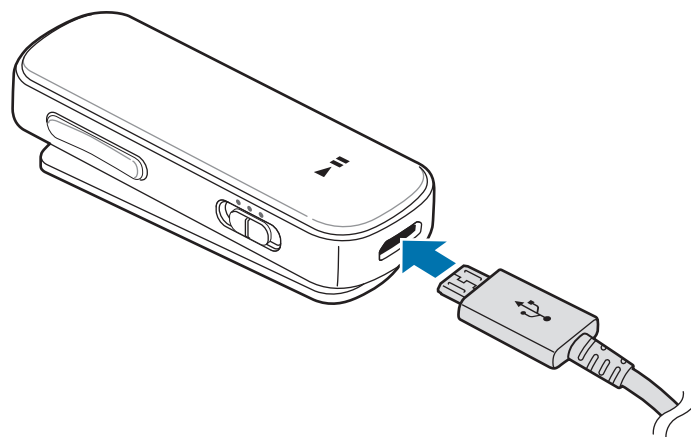


Используйте только аккумуляторы, зарядные устройства и кабели, одобренные компанией Samsung. Использование несовместимых зарядных устройств и кабелей может привести к взрыву аккумулятора или повреждению гарнитуры.



При полной разрядке аккумулятора включить гарнитуру сразу после подключения к зарядному устройству невозможно. Чтобы включить гарнитуру, следует подождать несколько минут, пока аккумулятор немного зарядится.

Подключите устройство к компьютеру или USB-переходнику с помощью кабеля USB.



Неправильное подключение зарядного устройства может привести к серьезному повреждению вашего устройства. Гарантия не распространяется на любые повреждения, возникшие в результате неправильного использования устройства и аксессуаров.



- Во время зарядки аккумулятора можно пользоваться устройством, но это замедляет процесс зарядки.
- Во время зарядки устройство может нагреваться. Это нормальное явление, не влияющее на производительность и срок службы устройства. Если аккумулятор нагреется больше обычного, зарядное устройство может прекратить свою работу.
- Если устройство не заряжается, обратитесь с ним в сервисный центр Samsung вместе с зарядным устройством.

По окончании зарядки отключите ваше устройство от зарядного устройства. Сначала отключите зарядное устройство от вашего устройства, затем от электрической розетки.



В целях экономии электроэнергии отключайте зарядное устройство, если оно не используется. Зарядное устройство не оснащено переключателем питания, поэтому его нужно отключать от электрической розетки, чтобы прервать процесс зарядки и сэкономить электроэнергию. Некоторые функции могут быть недоступны при одновременном подключении двух устройств к данному устройству.

Проверка уровня заряда аккумулятора

Одновременно нажмите и удерживайте кнопку увеличения громкости и многофункциональную кнопку в течение 1 секунды. Световой индикатор трижды мигнет разными цветами в зависимости от состояния зарядки аккумулятора.

Состояние	Цвет
Ниже 30 %	• Красный
30–60 %	• Желтый
Свыше 60 %	• Зеленый

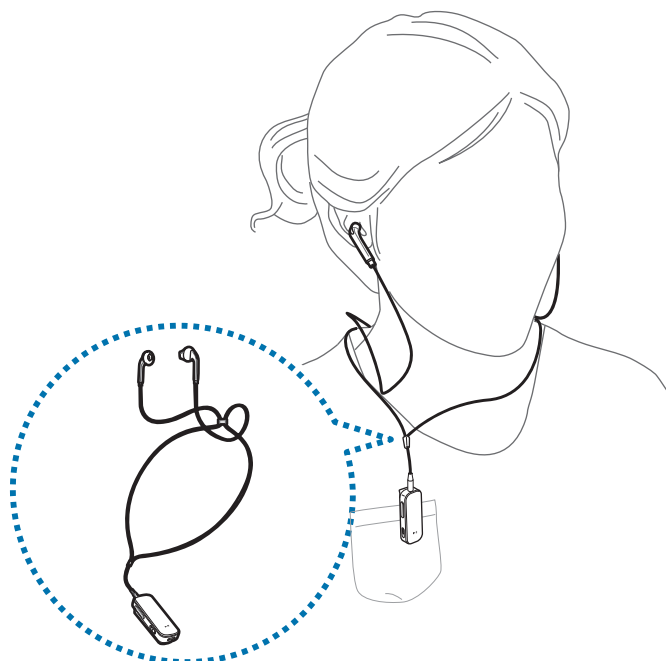
Крепление устройства и наушников

Подключите наушники, входящие в комплект поставки, к устройству Samsung Level Link и закрепите их на шее.

- 1 Подсоедините наушники к аудиоразъему устройства Samsung Level Link.
- 2 С помощью фиксатора отрегулируйте длину наушников, пока не образуется достаточно широкая петля, сквозь которую можно просунуть голову.




3 Пристегните устройство Samsung Level Link к одежде.

4 Закрепите наушники на шее и подсоедините их.



Соблюдайте осторожность при использовании данного устройства с проводными наушниками. Обматывание наушников вокруг шеи может привести к удушью.

Включение и выключение устройства

-  : активация режима приёма.
-  : активация режима передачи.
-  : выключение устройства.



В местах, где использование беспроводных устройств запрещено, например в самолетах или больницах, следуйте требованиям предупреждающих табличек и указаниям персонала.

Работа с устройством

Bluetooth

Информация о технологии Bluetooth

Bluetooth — это технология беспроводной связи, которая использует частоту 2,4 ГГц для подключения к разным устройствам, расположенным на небольшом расстоянии друг от друга. Она позволяет подключаться к другим устройствам с поддержкой Bluetooth, например мобильным устройствам, компьютерам, принтерам и другим устройствам для дома, без использования кабелей и обмениваться с ними данными.

Примечания при использовании Bluetooth

- Во избежание проблем при подключении устройства к другому устройству разместите устройства рядом друг с другом.
- Убедитесь, что ваше устройство и другое устройство Bluetooth находятся в пределах зоны действия Bluetooth (10 м). Расстояние может различаться в зависимости от среды использования устройств.
- Убедитесь в отсутствии препятствий между гарнитурой и подключенным устройством, в том числе людей, стен, углов или заборов.
- Не касайтесь антенны Bluetooth подключенного устройства.
- Стандарт Bluetooth использует ту же частоту, что и некоторые промышленные, научные, медицинские, а также некоторые маломощные приборы, поэтому его использование рядом с такими приборами может создать помехи в их работе.
- Некоторые устройства, в частности те, для которых компания Bluetooth SIG не проводила испытаний или которые не были одобрены по результатам таких испытаний, могут быть несовместимы с гарнитурой.
- Запрещается использовать функцию Bluetooth в противоправных целях (например, для распространения пиратских копий файлов или незаконного перехвата разговоров в коммерческих целях).

Подключение к другим устройствам



Качество звука и рабочее расстояние между устройством Samsung Level Link и подключенными аудиоустройствами зависит от типа аудиоустройств с поддержкой Bluetooth.

Подключение в режиме приёма

При подключении устройства Samsung Level Link к устройствам с поддержкой Bluetooth можно принимать входящие вызовы или прослушивать музыку. При первом включении устройство Samsung Level Link перейдет в режим сопряжения с устройством Bluetooth.

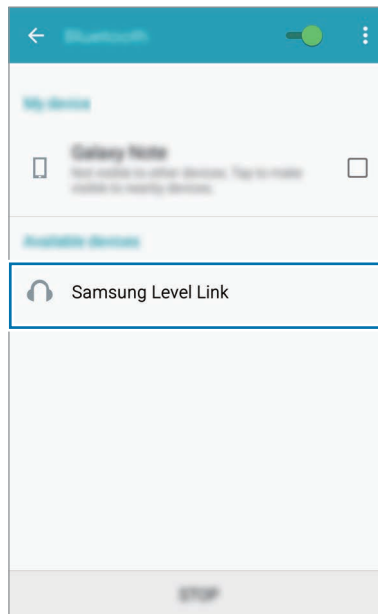


- После первого сопряжения Samsung Level Link с другими устройствами по Bluetooth он будет автоматически подключаться к сопряженным устройствам. Если устройству Samsung Level Link не удастся установить подключение, на нем будет запущен режим сопряжения по Bluetooth.
- Устройство Samsung Level Link может сохранять данные для не менее восьми устройств. Если к Samsung Level Link ранее подключали несколько устройств, оно подключится к последнему сопряженному устройству.

- 1 Samsung Level Link** Сдвиньте переключатель режимов влево, чтобы включить режим приёма.
- 2 Samsung Level Link** Нажмите и удерживайте многофункциональную кнопку на протяжении 3 секунд для перехода в режим сопряжения по Bluetooth.
- 3 Другое устройство** Включите функцию Bluetooth и выполните поиск устройств с поддержкой Bluetooth.

Дополнительные сведения см. в руководстве пользователя к другому устройству.

4 Другое устройство Выберите в списке устройство **Samsung Level Link**.



5 Samsung Level Link Подключите наушники к устройству Samsung Level Link.

Или подключите устройство Samsung Level Link к дополнительному входному разъему устройства вывода звука с помощью аудиокабеля.



Подключение устройства Samsung Level Link к разъему аудиовыхода телевизора или компьютера в этом режиме может привести к повреждению устройства Samsung Level Link.

Подключение в режиме передачи

Подключение устройства к мультимедийному плееру с помощью аудиоразъема. Можно прослушивать мультимедийные файлы с помощью другого аудиоустройства, например гарнитуры Bluetooth. При первом включении устройство Samsung Level Link перейдет в режим сопряжения с устройством Bluetooth.



- После первого сопряжения Samsung Level Link с другими устройствами по Bluetooth он будет автоматически подключаться к сопряженным устройствам. Если устройству Samsung Level Link не удастся установить подключение, на нем будет запущен режим сопряжения по Bluetooth.
- Устройство Samsung Level Link может сохранять данные для не менее восьми устройств. Если к Samsung Level Link ранее подключали несколько устройств, оно подключится к последнему сопряженному устройству.

- 1 **Samsung Level Link** Сдвиньте переключатель режимов вправо, чтобы включить режим передачи.
- 2 **Samsung Level Link** Нажмите и удерживайте многофункциональную кнопку на протяжении 3 секунд для перехода в режим сопряжения по Bluetooth.
- 3 **Samsung Level Link** Расположите устройство Samsung Level Link на расстоянии 30 см от сопряженного аудиоустройства.

После этого устройство Samsung Level Link и аудиоустройство будут подключены через Bluetooth. В случае сбоя подключения выключите аудиоустройство и включите его снова. Затем повторно выполните описанные выше действия.
- 4 Подсоедините аудиокабель к аудиоразъему устройства Samsung Level Link. Затем подсоедините другой конец аудиокабеля к разъему аудиовыхода мультимедийного проигрывателя.



- Способ подключения через Bluetooth зависит от типа подключенных устройств. Дополнительные сведения см. в руководстве пользователя подключаемого устройства.
- После подключения устройства Samsung Level Link к телевизору в режиме передачи могут возникать ошибки во время синхронизации данных. Устройство Samsung Level Link рекомендуется подключать к телевизору с поддержкой кодека aptX с низким уровнем задержки.
- При использовании устройства Samsung Level Link с мультимедийным проигрывателем уменьшите громкость последнего, прежде чем отсоединять аудиокабель, чтобы избежать внезапных громких звуков.
- В зависимости от уровня громкости подключенного мультимедийного проигрывателя могут возникать перепады громкости или шумы. Чтобы этого избежать, установите соответствующие параметры звука на мультимедийном проигрывателе.

Подключение дополнительных устройств.

В режимах приёма или передачи устройство Samsung Level Link может одновременно подключаться к двум устройствам по Bluetooth.

- 1 Подключите Samsung Level Link к первому устройству в режиме приёма или передачи.
- 2 Подключите Samsung Level Link ко второму устройству по Bluetooth тем же способом, что и первое устройство.



- Если Samsung Level Link не отображается в списке обнаруженных устройств в режиме приёма, нажмите и удерживайте многофункциональную кнопку в течение 3 секунд для перехода в режим сопряжения по Bluetooth.
- В режиме отправки устройство Level Link поддерживает кодек aptX с низкой латентностью при подключении к одному аудиоустройству. При одновременном подключении двух аудиоустройств к Level Link кодек aptX не поддерживает аудио- и видеовыход и не может синхронизироваться.
- В режиме передачи рабочее расстояние между Samsung Level Link и другими устройствами может быть уменьшено.

Повторное подключение или отключение от других устройств

Повторное подключение устройств

При отключении Samsung Level Link от аудиоустройства из-за большого расстояния между ними расположите устройства ближе друг к другу и нажмите многофункциональную кнопку для их повторного сопряжения. Или воспользуйтесь меню Bluetooth на аудиоустройстве для их сопряжения.

Отключение устройств

Чтобы отключить Samsung Level Link от аудиоустройства, выключите или разорвите сопряжение между ними. При подключении двух устройств с помощью аудиокабеля, отсоедините его от обоих устройств.

Использование режимов приёма и передачи

В режиме приёма можно запускать приложение S Voice, отвечать на входящие вызовы или воспроизводить мультимедийные файлы. Этот режим позволяет использовать наушники с Samsung Level Link или подключать его к аудиоустройству с помощью аудиокабеля.

В режиме передачи можно прослушивать аудиозаписи с мультимедийного проигрывателя, к которому подключено аудиоустройство.



- Доступность функций зависит от типа устройства, к которому осуществляется подключение. Некоторые функции могут быть недоступны, если к Samsung Level Link одновременно подключено два устройства.
- Некоторые функции доступны только при подключении Samsung Level Link к устройству через профиль беспроводной связи (HFP).
- Расположение микрофона зависит от способа крепления устройства Samsung Level Link. От положения устройства Samsung Level Link зависит качество звука во время вызовов.

Запуск приложения S Voice

Нажмите и удерживайте multifunctional кнопку в течение 1 секунды. Если подключенное устройство поддерживает приложение S Voice, им можно будет пользоваться с помощью Samsung Level Link.

Ответ на вызовы и их отклонение

Ответ на вызов

Нажмите кнопку вызова для ответа на вызовы, поступившие на подключенное устройство.

Отклонение вызова

Нажмите и удерживайте кнопку вызова для отклонения вызовов, поступивших на подключенное устройство.

Использование опций во время вызова

Регулировка громкости

Во время вызова нажмите кнопку громкости, чтобы отрегулировать уровень громкости.

Изменение устройства вывода звука

Нажмите и удерживайте кнопку вызова для переадресации вызовов с Samsung Level Link на подключенное устройство. Доступность этой функции зависит типа подключенного устройства.

Завершение вызова

Нажмите кнопку вызова, чтобы завершить вызов.

Воспроизведение мультимедийных файлов

В режиме приёма и передачи можно воспроизводить мультимедийные файлы. Доступность функций зависит от используемого режима.

Воспроизведение и остановка воспроизведения мультимедийного файла

Нажмите многофункциональную кнопку, чтобы воспроизвести последний мультимедийный файл на подключенном устройстве.

Нажмите многофункциональную кнопку, чтобы приостановить воспроизведение. Чтобы возобновить воспроизведение, повторно нажмите многофункциональную кнопку.

Переход к предыдущему или следующему мультимедийному файлу

Нажмите кнопку перемотки назад или кнопку быстрой перемотки вперед, чтобы перейти к предыдущему или следующему файлу во время воспроизведения.

Перемотка мультимедийного файла вперед или назад

Нажмите и удерживайте кнопку перемотки назад или кнопку быстрой перемотки вперед, чтобы перемотать файл назад или вперед во время воспроизведения.

Регулировка громкости

Нажмите кнопку громкости, чтобы отрегулировать уровень громкости.



- При подключении Samsung Level Link одновременно к двум устройствам мультимедийные файлы можно воспроизводить на любом из них. Чтобы воспроизвести мультимедийный файл на другом устройстве, сначала приостановите воспроизведение на текущем устройстве.
- Во время воспроизведения мультимедийного файла на одном устройстве вызовы можно принимать на другом.
- При наличии различий в выходной мощности аудиокабеля и подключенного в режиме передачи аудиоустройства громкость звука на устройстве Samsung Level Link может изменяться.

Сброс настроек устройства

Если Samsung Level Link подключено к устройству по Bluetooth, данные Samsung Level Link, например адрес Bluetooth и тип устройства, будут храниться на подключенном устройстве. Чтобы удалить данные о подключении Samsung Level Link, нажмите и удерживайте многофункциональную кнопку в течение 3 секунд для перехода в режим сопряжения по Bluetooth. Затем одновременно нажмите и удерживайте кнопку перемотки назад, кнопку быстрой перемотки вперед и многофункциональную кнопку в течение 3 секунд.

Устранение неполадок

Перед обращением в сервисный центр Samsung попробуйте следующие способы устранения неполадок. Некоторые неполадки могут не возникать на вашем устройстве.

Устройство не включается

Устройство не включится, если аккумулятор полностью разряжен. Полностью зарядите аккумулятор перед включением устройства.

Аккумулятор не заряжается (при использовании одобренных зарядных устройств Samsung)

- Убедитесь, что зарядное устройство подключено правильно.
- Обратитесь в сервисный центр Samsung для замены аккумулятора.

Другое устройство Bluetooth не может обнаружить ваше устройство

- Убедитесь, что на устройстве включен режим сопряжения по Bluetooth.
- Сбросьте настройки устройства и выполните поиск устройств Bluetooth.
- Убедитесь, что ваше устройство и другое устройство Bluetooth находятся в пределах зоны действия Bluetooth (10 м).

Если выполнение описанных выше действий не поможет устранить проблему, обратитесь в сервисный центр Samsung.

Не удается обнаружить устройство Bluetooth

- Убедитесь, что устройство, к которому вы хотите подключиться, поддерживает функцию беспроводной связи Bluetooth.
- Убедитесь, что ваше устройство и другие устройства Bluetooth находятся в зоне максимального радиуса действия Bluetooth (10 м).

Подключение по Bluetooth часто разрывается

- Если между устройствами есть препятствия, дальность действия может уменьшиться.
- Убедитесь, что ваше устройство и другие устройства Bluetooth находятся в зоне максимального радиуса действия Bluetooth (10 м).
- При использовании устройства вместе с другими устройствами Bluetooth на состояние их подключения могут влиять электромагнитные волны. Используйте устройство в местах с меньшим количеством беспроводных устройств.

Не слышен голос собеседника

- Отрегулируйте уровень громкости.
- Если вы не слышите звуки при максимальном уровне громкости на устройстве, отрегулируйте громкость на подключенном устройстве.

Во время вызова звучит эхо

Отрегулируйте громкость устройства с помощью кнопки громкости или перейдите в другое место.

Собеседники не слышат вас во время разговора

- Проверьте, не закрыты ли отверстия встроенного микрофона какими-либо посторонними предметами.
- Поднесите микрофон ближе ко рту.

Низкое качество звука

- Услуги беспроводной сети могут быть недоступны из-за проблем в сети поставщика услуг. Убедитесь, что устройство находится подальше от действия электромагнитных волн.
- Убедитесь, что ваше устройство и другие устройства Bluetooth находятся в зоне максимального радиуса действия Bluetooth (10 м).

Функции устройства отличаются от функций, описанных в руководстве пользователя

- Доступность функций зависит от типа подключенного устройства.
- Некоторые функции могут быть недоступны при одновременном подключении нескольких устройств к данному устройству.

Аккумулятор разряжается быстрее, чем обычно

- Эффективный заряд аккумулятора устройства может снижаться при слишком низкой или высокой температуре окружающей среды.
- Аккумулятор является расходным материалом, и его эффективный заряд будет со временем снижаться.

ИНФОРМАЦИЯ О ПРОДУКТЕ

Беспроводной аудиоадаптер Samsung Level Link EO-RG920

используется для приёма и передачи аудиосигнала



Данный продукт соответствует требованиям технических регламентов Таможенного союза.

Страна и дата производства указана на упаковке продукта.
Срок гарантии составляет 1 год с момента приобретения продукта.
Срок службы - 2 года. Срок службы зависит от условий эксплуатации.
По истечении срока службы продукта Изготовитель рекомендует обращение в Уполномоченный Сервисный Центр для проведения профилактических работ и получения рекомендаций по дальнейшей безопасной эксплуатации продукта.
Технические характеристики: 5V --- ; 110mA

Импортер:	ООО «Самсунг Электроник Рус Компани», 125009 Россия, Москва, ул. Воздвиженка, д.10
Изготовитель:	Самсунг Электроникс Ко. Лтд., (Мэтан-донг) 129, Самсунг-ро, Енгтонг-гу, г. Сувон, Кёнги-до, Республика Корея
Адреса заводов: "Самсунг Электроникс Ко., Лтд", 94-1, Имсо-Донг, Гуми-Сити, Кунг-Бак, Корея, 730-350 "Тяньжин Самсунг Телеком Технолоджи Ко., Лтд", Вейву Рoad, Микроэлектроникс Индастриал Парк ТЕДА, Ксиквин Дистрикт Тяньжин 300385, Китай "Самсунг Электроникс Хуижоу Ко., Лтд.", Ченжианг таун, Хуижоу, провинция Гуангдонг, Китай "Самсунг Электроникс Вьетнам Ко., Лтд.", Промышленный парк Йенпхонг Ай, Йентранг Комьон, округ Йенпхонг, провинция Бэкнинх, Вьетнам	

Декларация о соответствии

Информация о продукте

Для следующего устройства

Продукт : Адаптер Bluetooth

Модель (ли) : EO-RG920



Декларация и применимые стандарты

Настоящим мы заявляем, что продукт, указанный выше, соответствует основным требованиям директивы R&TTE (1999/5/EC) в области:

Безопасность	EN 60950-1 : 2006 + A11 : 2009 + A1 : 2010 + A12 : 2011
SAR	EN 50566 : 2013 EN 62479 : 2010
ЭМС	EN 301 489-01 V1.9.2 (2011-09) EN 301 489-17 V2.2.1 (2012-09)
Сеть	EN 300 328 V1.8.1 (2012-06)

и Директивы (2011/65/EU) об ограничениях по использованию определенных опасных веществ при производстве электрического и электронного оборудования по стандарту EN 50581:2012.

Представитель в ЕС

Samsung Electronics Euro QA Lab.
Blackbushe Business Park
Saxony Way, Yateley, Hampshire
GU46 6GG, UK



2015.01.27

Stephen Colclough / Представитель ЕС

(Место и дата выпуска)

(Фамилия и подпись уполномоченного лица)

* Это не адрес сервисного центра Samsung. Для получения адреса или номера телефона сервисного центра Samsung см. гарантийный талон или обратитесь по месту приобретения вашего продукта.

Авторские права

© Samsung Electronics, 2015.

Данное руководство защищено международными законами об авторских правах.

Запрещается воспроизводить, распространять, переводить или передавать какие-либо части данного руководства в любой форме и любым способом, электронным или механическим, включая фотокопирование, запись и хранение в любой системе хранения и поиска информации, без предварительного письменного разрешения компании Samsung Electronics.

Товарные знаки

- SAMSUNG и логотип SAMSUNG являются зарегистрированными товарными знаками компании Samsung Electronics.
- Bluetooth® является зарегистрированным товарным знаком Bluetooth SIG, Inc. во всем мире.
- Остальные авторские права и товарные знаки являются собственностью их владельцев.

Ознайомтеся перед початком використання

Для безпечного та належного користування пристроєм перш за все уважно ознайомтеся з цим посібником.

- В описах використовуються стандартні налаштування пристрою.
- Зовнішній вигляд продукту може відрізнятися від зображення. Вміст може змінюватися без завчасного попередження.

Пояснювальні значки



Попередження: ситуації, що можуть призвести до травмування себе або інших осіб



Увага: ситуації, що можуть призвести до пошкодження пристрою або іншого обладнання



Примітка: примітки, поради з користування або додаткова інформація

Початок роботи

Інформація про пристрій Level Link

На пристрої Level Link підтримуються режими отримання й надсилання. У режимі отримання до пристрою Level Link можна підключати навушники та використовувати його як гарнітуру Bluetooth під час роботи з пристроями із підтримкою Bluetooth, наприклад зі смартфонами або планшетами. У режимі надсилання пристрій можна використовувати як адаптер, що дає змогу підключатися до комп'ютерів, телевізорів, гарнітур Bluetooth та інших пристроїв.

У режимі отримання доступні такі функції:

- Запуск S Voice;
- Прийняття або завершення викликів;
- Керування мультимедійними файлами.

У режимі надсилання можна відтворювати звукові записи з підключених мультимедійних пристроїв.

Комплектація

Перевірте наявність у комплекті таких компонентів:

- Пристрій;
- Навушники;
- Кабель USB;
- Аудіокабель;
- Короткий посібник користувача.



- Компоненти, які входять до комплекту пристрою, можуть різнитися залежно від країни або оператора зв'язку.
- Компоненти, що постачаються в комплекті, розроблені спеціально для цього пристрою та можуть бути несумісними з іншими пристроями.
- Зовнішній вигляд і характеристики можуть змінюватися без завчасного попередження.
- Додаткові аксесуари можна придбати в місцевого постачальника Samsung. Перед їх придбанням переконайтеся, що вони сумісні із цим пристроєм.
- Використовуйте лише аксесуари, рекомендовані компанією Samsung. Використання нерекондованих аксесуарів може призвести до виникнення проблем у роботі та несправностей, на які не розповсюджується гарантія.
- Доступність усіх аксесуарів може змінюватися залежно від компаній-виробників. Додаткову інформацію про доступні аксесуари можна дізнатися на веб-сайті Samsung.

Зовнішній вигляд пристрою



Кнопки та функції

Назва	Функція
Перемикач режимів/ живлення	<ul style="list-style-type: none"> Посуньте перемикач вліво для ввімкнення режиму отримання або вправо для ввімкнення режиму надсилання. Посуньте перемикач у положення ВИМК., щоб вимкнути пристрій.
Кнопка викликів/ багатофункціональна кнопка	<ul style="list-style-type: none"> У режимі отримання натисніть і утримуйте цю кнопку протягом 1 секунди, щоб запустити програму S Voice. У режимі отримання натисніть цю кнопку, щоб відповісти на виклик або відхилити його. У режимі отримання натисніть і утримуйте цю кнопку, щоб відхилити виклик. У режимі отримання натисніть і утримуйте цю кнопку, щоб переадресувати виклики із пристрою Level Link на інший пристрій або навпаки. У режимі отримання натисніть цю кнопку, щоб відтворити мультимедійні файли або зупинити їх відтворення. У режимі отримання або надсилання натисніть і утримуйте цю кнопку протягом 3 секунд для входу у режим з'єднання Bluetooth.
Кнопка гучності	<ul style="list-style-type: none"> У режимі отримання натисніть цю кнопку, щоб відрегулювати рівень гучності під час виклику. У режимі отримання натисніть цю кнопку, щоб відрегулювати рівень гучності під час відтворення мультимедійних файлів.
Кнопка перемотування назад / кнопки швидкого перемотування вперед	<ul style="list-style-type: none"> У режимі отримання натисніть цю кнопку, щоб відтворити попередній або наступний мультимедійний файл під час відтворення. У режимі отримання натисніть і утримуйте цю кнопку, щоб перемотати мультимедійний файл назад або вперед під час відтворення.

Індикатор стану

Стан	Колір
Режим з'єднання Bluetooth	<ul style="list-style-type: none"> Блимає червоним, зеленим або синім
Увімкнення живлення або режимів	<ul style="list-style-type: none"> Тричі блимає синім
Вимкнено	<ul style="list-style-type: none"> Тричі блимає червоним
Вхідний виклик	<ul style="list-style-type: none"> Блимає синім

Зарядження акумулятора

Перед першим використанням пристрою Level Link потрібно зарядити акумулятор, а також якщо він не використовувався протягом тривалого часу.

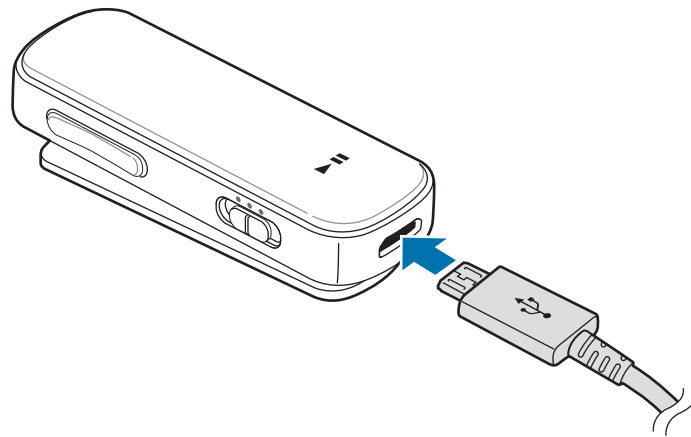


Використовуйте лише зарядні пристрої, акумулятори й кабелі, рекомендовані компанією Samsung. Використання нерекomenдованих зарядних пристроїв або кабелів може призвести до вибуху акумулятора чи пошкодження гарнітури.



Якщо акумулятор повністю розряджений, для ввімкнення гарнітури після підключення зарядного пристрою знадобиться певний час. Перш ніж її вмикати, зачекайте декілька хвилин, доки акумулятор трохи зарядиться.

Підключіть пристрій до комп'ютера або блока живлення USB за допомогою кабелю USB.



Неправильне підключення зарядного пристрою може призвести до серйозного пошкодження пристрою. Гарантія не поширюється на пошкодження пристрою, спричинені неправильним використанням.



- Під час зарядження пристрій можна використовувати, але в такому разі акумулятор заряджатиметься довше.
- Під час зарядження пристрій може нагріватися. Це нормально й не впливає на його роботу чи термін служби. Якщо акумулятор нагрівається сильніше ніж звичайно, зарядження за допомогою зарядного пристрою може припинитися.
- Якщо пристрій не заряджається належним чином, віднесіть його та зарядний пристрій до сервісного центру Samsung.

Після повного зарядження акумулятора від'єднайте зарядний пристрій від пристрою. Спочатку від'єднайте зарядний пристрій від пристрою, а потім – від розетки.



Для заощадження електроенергії від'єднайте зарядний пристрій, якщо пристрій не використовується. Якщо на зарядному пристрої немає вимикача живлення, його слід виймати з електричної розетки, коли він не використовується, для заощадження електроенергії. Під час зарядження зарядний пристрій має щільно прилягати до гнізда та бути легко доступним.

Перевірка рівня заряду акумулятора

Одночасно натисніть і утримуйте кнопку збільшення гучності й багатофункціональну кнопку протягом 1 секунди. Індикатор сповіщення тричі блимне різними кольорами залежно від стану зарядження акумулятора.

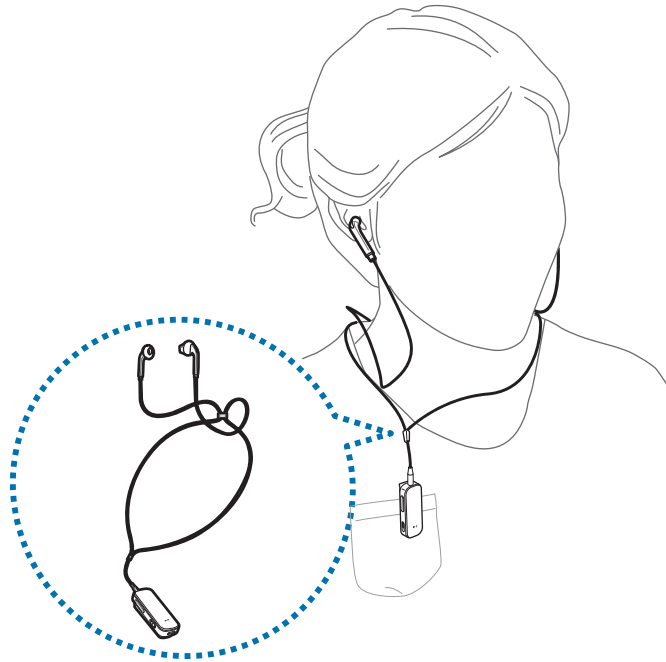
Стан	Колір
Менше 30 %	• Червоний
30-60 %	• Жовтий
Більше 60 %	• Зелений

Кріплення пристрою й навушників

Підключіть навушники, які входять до комплекту постачання, до пристрою Level Link і закріпіть їх навколо шиї.




- 1 Під'єднайте навушники до аудіороз'єму пристрою Level Link.
- 2 За допомогою фіксатора відрегулюйте довжину навушників, доки не утвориться достатньо широка петля, щоб просунути крізь неї голову.

- 3 Пристебніть пристрій Level Link до одягу.
- 4 Закріпіть навушники на шиї та під'єднайте їх.



Будьте обережні під час використання цього пристрою із проводовими навушниками. Обмотування навушників навколо шиї може призвести до удушення.

Увімкнення та вимкнення пристрою

-  : активація режиму отримання.
-  : активація режиму надсилання.
-  : вимкнення пристрою.



Дотримуйтесь усіх попереджень і вказівок персоналу в місцях, де обмежено використання безпроводових пристроїв, наприклад у літаках і лікарнях.

Використання пристрою

Bluetooth

Інформація про Bluetooth

Bluetooth – це технологія безпроводового зв'язку, що використовує частоту 2,4 ГГц для підключення до різних пристроїв, розташованих на невеликій відстані один від одного. Вона дає змогу підключатися до інших пристроїв із підтримкою Bluetooth, таких як мобільні пристрої, комп'ютери, принтери та інші пристрої для дому, без використання кабелів та обмінюватися з ними даними.

Попередження щодо використання Bluetooth

- Щоб уникнути проблем під час підключення одного пристрою до іншого, розташуйте їх неподалік один від одного.
- Переконайтеся, що пристрій та інший пристрій Bluetooth перебувають в межах радіусу дії підключення Bluetooth (10 м). Відстань залежить від середовища використання пристроїв.
- Переконайтеся у відсутності перешкод, наприклад людей, стін, кутів або парканів, між гарнітурою і підключеним пристроєм.
- Не торкайтеся антени Bluetooth підключеного пристрою.
- Bluetooth працює на однаковій частоті із деякими промисловими, науковими і медичними пристроями, а також пристроями із низьким рівнем живлення, що може спричинити радіоперешкоди під час здійснення підключення поблизу таких пристроїв.
- Деякі пристрої, особливо ті, які не перевірено та не схвалено компанією Bluetooth SIG, можуть виявитися несумісними з гарнітурою.
- Не використовуйте функцію Bluetooth у незаконних цілях (наприклад, для створення піратських копій файлів або незаконного перехоплення викликів).

Підключення до інших пристроїв



Якість звуку та робоча відстань між пристроєм Level Link і підключеним аудіопристроєм залежать від аудіопристроїв із підтримкою Bluetooth.

Підключення у режимі отримання

Під час підключення пристрою Level Link до пристроїв із підтримкою Bluetooth можна отримувати вхідні виклики або прослуховувати музику. Під час першого увімкнення пристрою Level Link буде запущено режим з'єднання за допомогою Bluetooth.

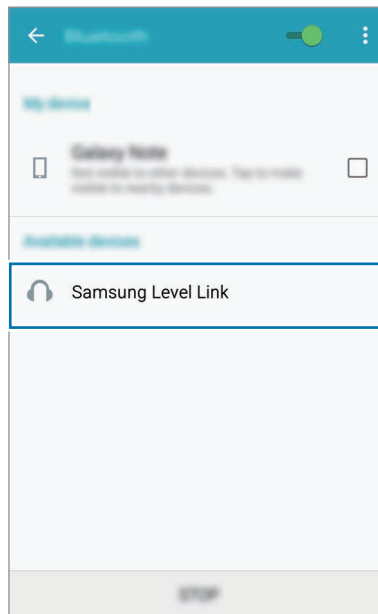


- Після першого підключення пристрою Level Link до інших пристроїв за допомогою Bluetooth він автоматично підключатиметься до раніше підключених пристроїв. Якщо пристрою Level Link не вдається встановити підключення, на ньому буде запущено режим з'єднання за допомогою Bluetooth.
- Пристрій Level Link може зберігати дані для не менш ніж восьми пристроїв. У разі підключення пристрою Level Link до декількох пристроїв він підключається до останнього підключеного пристрою.

- 1 Level Link** Натисніть перемикач режимів вліво, щоб увімкнути режим отримання.
- 2 Level Link** Натисніть і утримуйте багатфункціональну кнопку протягом 3 секунд для входу у режим з'єднання Bluetooth.
- 3 Інший пристрій** Увімкніть функцію Bluetooth і здійсніть пошук пристроїв із підтримкою Bluetooth.

Додаткову інформацію наведено в посібнику користувача для іншого пристрою.

4 **Інший пристрій** Виберіть у списку пристрій **Samsung Level Link**.



5 **Level Link** Підключіть навушники до пристрою Level Link.

Або підключіть пристрій Level Link до допоміжного вхідного роз'єму на пристрої виводу звуку за допомогою аудіокабелю.



Підключення пристрою Level Link до роз'єму аудіовиходу телевізора або комп'ютера за допомогою аудіокабелю в цьому режимі може призвести до пошкодження пристрою Level Link.

Підключення у режимі надсилання

Підключення пристрою до мультимедійного програвача за допомогою аудіокабелю. Можна прослуховувати мультимедійні файли за допомогою іншого аудіопристрою, наприклад гарнітури Bluetooth. Під час першого ввімкнення пристрою Level Link буде запущено режим з'єднання за допомогою Bluetooth.



- Після першого підключення пристрою Level Link до інших пристроїв за допомогою Bluetooth він автоматично підключатиметься до раніше підключених пристроїв. Якщо пристрою Level Link не вдається встановити підключення, на ньому буде запущено режим з'єднання за допомогою Bluetooth.
- Пристрій Level Link може зберігати дані для не менш ніж восьми пристроїв. У разі підключення пристрою Level Link до декількох пристроїв він підключається до останнього підключеного пристрою.

- 1 Level Link** Натисніть перемикач режимів вправо, щоб увімкнути режим надсилання.
- 2 Level Link** Натисніть і утримуйте багатофункціональну кнопку протягом 3 секунд для входу у режим з'єднання Bluetooth.
- 3 Level Link** Розташуйте пристрій Level Link на відстані 30 см від підключеного аудіопристрою. Після цього пристрій Level Link і аудіопристрій будуть підключені через Bluetooth. У разі збою підключення вимкніть аудіопристрій і увімкніть його знову. Після чого повторно виконайте описані вище дії.
- 4** Під'єднайте аудіокабель до аудіороз'єму пристрою Level Link. Потім підключіть інший кінець аудіокабелю до роз'єму аудіовиходу мультимедійного програвача.



- Спосіб підключення за допомогою Bluetooth може відрізнятися залежно від підключених пристроїв. Для отримання докладніших відомостей зверніться до посібника користувача для підключеного пристрою.
- Після підключення пристрою Level Link до телевізора в режимі надсилання можуть виникати помилки під час синхронізації даних пристроїв. Пристрій Level Link рекомендується підключати до телевізора з підтримкою кодека aptX з низьким рівнем затримки.
- У разі використання пристрою Level Link із мультимедійним програвачем зменшіть гучність останнього, перш ніж від'єднувати аудіокабель, щоб уникнути раптових гучних звуків.
- Залежно від підключеного мультимедійного програвача можуть виникати перепади гучності або шуми. Щоб цього уникнути, встановіть відповідні параметри звуку на мультимедійному програвачеві.

Підключення додаткових пристроїв

У режимах отримання й надсилання пристрій Level Link може одночасно підключатися до двох пристроїв за допомогою Bluetooth.

- 1 Підключіть Level Link до першого пристрою в режимі отримання або надсилання.
- 2 Підключіть Level Link до другого пристрою за допомогою Bluetooth таким самим способом як і перший пристрій.



- Якщо Level Link не відображається у списку виявлених пристроїв у режимі отримання, натисніть і утримуйте багатофункціональну кнопку протягом 3 секунд для входу у режим з'єднання Bluetooth.
- У режимі надсилання пристрій Level Link підтримує кодек aptX з низькою латентністю, якщо підключений до одного аудіопристрою. Якщо два аудіопристрої одночасно підключені до Level Link, кодек aptX не підтримує аудіо- та відеовиходи, а також не може синхронізуватися.
- У режимі надсилання відстань між пристроєм Level Link та іншими пристроями може бути зменшена.

Повторне підключення або відключення інших пристроїв

Повторне підключення пристроїв

У разі відключення Level Link від аудіопристрою через зовнішню відстань між ними розташуйте пристрої ближче один до одного та натисніть багатофункціональну кнопку, щоб повторно їх підключити. Або скористайтеся меню Bluetooth на аудіопристрої для їх підключення.

Відключення пристроїв

Щоб відключити Level Link від аудіопристрою, вимкніть пристрій або розірвіть з'єднання між ними. У разі підключення двох пристроїв за допомогою аудіокабелю від'єднайте його від обох пристроїв.

Використання режимів отримання й надсилання

У режимі отримання можна запускати S Voice, відповідати на вхідні виклики або відтворювати мультимедійні файли. Цей режим дає змогу використовувати навушники з Level Link або підключати його до аудіопристрою за допомогою аудіокабелю.

У режимі надсилання можна прослуховувати аудіозаписи через мультимедійний програвач, до якого підключено аудіопристрій.



- Доступність функцій залежить від пристрою, до якого здійснюється підключення. Деякі функції можуть бути недоступними, якщо Level Link підключено одночасно до двох пристроїв.
- Деякі функції доступні лише в разі підключення Level Link до пристрою за допомогою профілю безпроводового зв'язку (HFP).
- Розташування мікрофона залежить від способу кріплення пристрою Level Link. Від положення пристрою Level Link залежить якість звуку під час викликів.

Запуск S Voice

Натисніть і утримуйте багатфункціональну кнопку протягом 1 секунди. Якщо підключений пристрій підтримує програму S Voice, нею можна користуватися за допомогою Level Link.

Відповідь на виклики та їх відхилення

Відповідь на виклики

Натисніть кнопку викликів для відповіді на виклики, які надійшли на підключений пристрій.

Відхилення викликів

Натисніть і утримуйте кнопку викликів для відхилення викликів, які надійшли на підключений пристрій.

Використання опцій під час виклику

Регулювання гучності

Під час виклику натисніть кнопку гучності, щоб відрегулювати рівень гучності.

Переключення звуку

Натисніть і утримуйте кнопку викликів для переадресації викликів із Level Link на підключений пристрій. Доступність цієї функції залежить від підключеного пристрою.

Завершення викликів

Натисніть кнопку викликів, щоб завершити виклик.

Відтворення мультимедійних файлів

У режимі отримання або надсилання можна відтворювати мультимедійні файли. Доступність функцій залежить від режиму, що використовується.

Відтворення й зупинення відтворення мультимедійного файлу

Натисніть багатофункціональну кнопку, щоб відтворити останній мультимедійний файл на підключеному пристрої.

Натисніть багатофункціональну кнопку, щоб призупинити відтворення. Щоб поновити відтворення, натисніть багатофункціональну кнопку ще раз.

Перехід до попереднього або наступного мультимедійного файлу

Натисніть кнопку перемотування назад або вперед, щоб перейти до попереднього або наступного файлу під час відтворення.

Перемотування мультимедійного файлу назад або вперед

Натисніть і утримуйте кнопку перемотування назад або вперед, щоб перемотати файл назад або вперед під час відтворення.

Регулювання гучності

Натисніть кнопку гучності щоб відрегулювати рівень гучності.



- Під час підключення Level Link одночасно до двох пристроїв мультимедійні файли можна відтворювати на будь-якому з них. Щоб відтворити мультимедійний файл на іншому пристрої, спочатку призупиніть відтворення з поточного пристрою.
- Під час відтворення мультимедійного файлу на одному пристрої виклики можна приймати на іншому.
- Якщо вихідні потужності аудіокабелю й підключеного в режимі надсилання пристрою відрізняються, гучність звуку на пристрої Level Link може змінюватися.

Здійснення скидання даних

Якщо Level Link підключено до пристрою за допомогою Bluetooth, дані Level Link, наприклад адреса Bluetooth і тип пристрою, зберігатимуться на підключеному пристрої. Щоб видалити дані щодо підключення Level Link, натисніть і утримуйте багатофункціональну кнопку протягом 3 секунд для входу у режим з'єднання Bluetooth. Потім одночасно натисніть і утримуйте кнопки перемотування назад, вперед і багатофункціональну кнопку протягом 3 секунд.

Усунення неполадок

Перш ніж звернутися до сервісного центру Samsung, спробуйте скористатися такими рішеннями. Деякі ситуації можуть не стосуватися вашого пристрою.

Пристрій не вмикається

Якщо акумулятор повністю розряджений, пристрій не увімкнеться. Повністю зарядіть акумулятор, перш ніж увімкнути пристрій.

Акумулятор не заряджається належним чином (для зарядних пристроїв, рекомендованих компанією Samsung)

- Переконайтеся, що зарядний пристрій підключено належним чином.
- Зверніться до сервісного центру Samsung, щоб замінити акумулятор.

Інший пристрій Bluetooth не може знайти ваш пристрій

- Переконайтеся, що на пристрої увімкнено режим з'єднання Bluetooth.
- Скиньте налаштування пристрою та здійсніть пошук пристроїв Bluetooth.
- Переконайтеся, що пристрій та інший пристрій Bluetooth перебувають в межах радіусу дії підключення Bluetooth (10 м).

Якщо після виконання наведених вище дій проблема не зникає, зверніться до сервісного центру Samsung.

Не вдається знайти інший пристрій Bluetooth

- Переконайтеся, що пристрій, до якого потрібно підключитися, підтримує функцію безпроводового підключення Bluetooth.
- Переконайтеся, що пристрій та інший пристрій Bluetooth перебувають в межах максимального радіусу дії підключення Bluetooth (10 м).

Підключення Bluetooth часто розривається

- Якщо між пристроями є перешкоди, робоча відстань може скоротитися.
- Переконайтеся, що пристрій та інший пристрій Bluetooth перебувають в межах максимального радіусу дії підключення Bluetooth (10 м).
- Під час використання пристрою з іншими пристроями Bluetooth на стан підключення можуть впливати електромагнітні хвилі. Використовуйте пристрої у місцях з меншою кількістю безпроводових пристроїв.

Не чути голос співрозмовника

- Налаштуйте рівень гучності пристрою.
- Відрегулюйте гучність на підключеному пристрої, якщо звук відтворюється не в повному обсязі.

Звукове відлуння під час виклику

Відрегулюйте гучність за допомогою натискання кнопки гучності або перейдіть до іншого місця.

Співрозмовники не чуять вас під час виклику

- Переконайтеся, що вбудований мікрофон не перекрито.
- Переконайтеся, що тримаєте мікрофон близько до рота.

Низька якість звуку

- Послуги безпроводової мережі можуть бути недоступні через проблеми в мережі постачальника послуг. Переконайтеся, що пристрої знаходяться подалі від дії електромагнітних хвиль.
- Переконайтеся, що пристрій та інший пристрій Bluetooth перебувають в межах максимального радіусу дії підключення Bluetooth (10 м).

Функції пристрою відрізняються від функцій, описаних у посібнику користувача

- Доступність функцій залежить від підключеного пристрою.
- Деякі функції можуть бути недоступні, якщо до пристрою одночасно підключено два пристрої.

Акумулятор розряджається швидше, ніж на початку його використання

- Якщо пристрій або акумулятор піддається впливу дуже низьких або дуже високих температур, корисний заряд може зменшуватися.
- Акумулятор із часом зношується, а його корисний заряд зменшується.

Декларація відповідності

Інформація про виріб

Застосовується до

Виріб : Адаптер Bluetooth

Модель(-і) : EO-RG920



Декларація та застосовні стандарти

Цим ми заявляємо, що виріб відповідає основним вимогам відповідно до Директиви 1999/5/EC про радіо- та телекомунікаційне обладнання із застосуванням:

Безпека	EN 60950-1 : 2006 + A11 : 2009 + A1 : 2010 + A12 : 2011
SAR	EN 50566 : 2013 EN 62479 : 2010
EMC	EN 301 489-01 V1.9.2 (2011-09) EN 301 489-17 V2.2.1 (2012-09)
Радіомережа	EN 300 328 V1.8.1 (2012-06)

і Директиви 2011/65/EU про обмеження використання певних шкідливих речовин для електричного та електронного обладнання разом із стандартом EN 50581:2012.

Представник у ЄС

Samsung Electronics Euro QA Lab.
Blackbushe Business Park
Saxony Way, Yateley, Hampshire
GU46 6GG, UK



2015.01.27

Stephen Colclough / Представник ЄС

(місце та дата видачі)

(ім'я та підпис уповноваженої особи)

* Це не адреса сервісного центру Samsung. Адресу або телефонний номер сервісного центру Samsung можна знайти в гарантійному талоні. Зверніться також до продавця виробу.

Авторське право

© Samsung Electronics, 2015

Цей посібник користувача захищено згідно з міжнародними законами щодо авторських прав.

Заборонено відтворювати, розповсюджувати, перекладати або передавати в будь-якій формі або будь-якими засобами, електронними або механічними, включно із ксерокопіюванням, записуванням або зберіганням на будь-якому пристрої для зберігання даних чи в інформаційно-пошуковій системі, жодну частину цього посібника без попереднього письмового дозволу компанії Samsung Electronics.

Товарні знаки

- SAMSUNG і логотип SAMSUNG є зареєстрованими товарними знаками компанії Samsung Electronics.
- Bluetooth® є зареєстрованим товарним знаком компанії Bluetooth SIG, Inc. в усьому світі.
- Усі інші товарні знаки й авторські права належать відповідним власникам.

Алдымен оқу

Қауіпсіз әрі дұрыс пайдалану үшін құрылғыны пайдаланбас бұрын осы нұсқаулықты оқып шығыңыз.

- Сипаттамалар құрылғының әдепкі параметрлеріне негізделген.
- Суреттердің сыртқы түрі нақты өнімнен ерекшеленуі мүмкін. Мазмұн алдын ала ескертусіз өзгертілуі мүмкін.

Нұсқаулық белгішелер



Ескерту: өзіңіздің немесе басқалардың жарақат алуына әкелуі мүмкін жағдайлар



Абайлаңыз: құрылғыны немесе басқа жабдықты зақымдауы мүмкін жағдайлар



Ескерім: ескертулер, пайдалану туралы кеңестер немесе қосымша ақпарат

Жұмысты бастау

Level Link туралы

Level Link алу режимін және жіберу режимін қолдайды. Алу режимінде құлаққаптарды Level Link құрылғысына қосуға және оны смартфондар немесе планшеттер сияқты Bluetooth қолдайтын құрылғылар үшін Bluetooth құлақаспабы ретінде пайдалануға болады. Жіберу режимінде құрылғыны компьютерлерге, теледидарларға, Bluetooth құлақаспаптарына және т.б. қосылатын электрондық кілт ретінде пайдалануға болады.

Алу режимінде келесі мүмкіндіктерді пайдалануға болады:

- S Voice қолданбасын іске қосу
- Қоңырауларды қабылдау немесе аяқтау
- Мультимедиалық файлдарды басқару

Жіберу режимінде қосылған мультимедиалық құрылғының дыбысын ойнатуға болады.

Орама құрамы

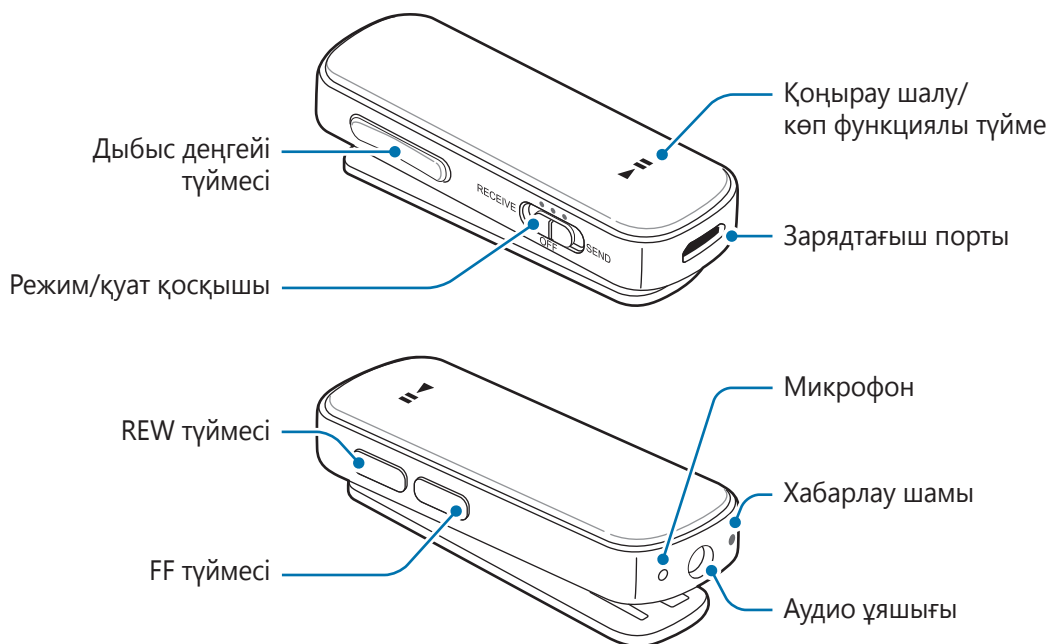
Өнім қорабында мына заттар бар екенін тексеріңіз:

- Құрылғы
- Құлаққаптар
- USB кабелі
- Аудио кабель
- Жылдам бастау нұсқаулығы



- Құрылғымен бірге берілген элементтер және кез келген қол жетімді қосалқы құралдар аймаққа немесе қызмет көрсетушіге байланысты өзгеріп отыруы мүмкін.
- Берілген элементтер тек осы құрылғыға арналған және басқа құрылғылармен үйлесімді болмауы мүмкін.
- Сыртқы түр мен техникалық сипаттамалар алдын ала ескертусіз өзгертілуі мүмкін.
- Қосымша қосалқы құралдарды жергілікті Samsung сатушысынан сатып алуға болады. Сатып алу алдында олардың құрылғымен үйлесімді екенін тексеріңіз.
- Тек Samsung бекіткен қосалқы құралдарды пайдаланыңыз. Бекітілмеген қосалқы құралдарды пайдалану кепілдікте қамтылмаған өнімділік мәселелерін және ақаулықтарды тудыруы мүмкін.
- Барлық қосалқы құралдардың қол жетімділігі толығымен өндіруші компанияларға байланысты өзгеруі мүмкін. Қол жетімді қосалқы құралдар туралы қосымша ақпаратты Samsung веб-сайтынан қараңыз.

Құрылғының орналасуы



Түймелер және функциялар

Атау	Функция
Режим/қуат қосқышы	<ul style="list-style-type: none"> Алу режимін белсендіру үшін солға сырғытыңыз және жіберу режимін белсендіру үшін оңға сырғытыңыз. Құрылғыны өшіру үшін ӨШІРУЛІ бағытына сырғытыңыз.
Қоңырау шалу/ көп функциялы түйме	<ul style="list-style-type: none"> Алу режимінде S Voice қолданбасын іске қосу үшін 1 секунд бойы басып тұрыңыз. Алу режимінде қоңырауға жауап беру немесе оны аяқтау үшін басыңыз. Алу режимінде қоңырауды қабылдамау үшін басып тұрыңыз. Алу режимінде қоңырауларды Level Link құрылғысынан басқа құрылғыға немесе керісінше тасымалдау үшін басып тұрыңыз. Алу режимінде мультимедиалық файлдарды ойнату немесе тоқтату үшін басыңыз. Алу режимінде немесе жіберу режимінде Bluetooth жұптау режиміне кіру үшін 3 секунд бойы басып тұрыңыз.
Дыбыс деңгейі түймесі	<ul style="list-style-type: none"> Алу режимінде қоңырау кезінде дыбыс деңгейін реттеу үшін басыңыз. Алу режимінде мультимедиалық файлдарды ойнату кезінде дыбыс деңгейін реттеу үшін басыңыз.
REW түймесі / FF түймесі	<ul style="list-style-type: none"> Алу режимінде ойнату кезінде алдыңғы немесе келесі мультимедиалық файлды ойнату үшін басыңыз. Алу режимінде ойнату кезінде мультимедиалық файлды кері айналдыру немесе алға айналдыру үшін басып тұрыңыз.

Күй көрсеткіші

Күй	Түс
Bluetooth жұптау режимі	<ul style="list-style-type: none"> Қызыл, жасыл және көк түспен жыпылықтау
Қуатты қосу немесе режимдерді белсендіру	<ul style="list-style-type: none"> 3 рет көк түспен жыпылықтау
Қуатты өшіру	<ul style="list-style-type: none"> 3 рет қызыл түспен жыпылықтау
Кіріс қоңырау	<ul style="list-style-type: none"> Көк түспен жыпылықтау

Батареяны зарядтау

Level Link құрылғысын бірінші рет пайдалану алдында немесе Level Link ұзақ уақыт бойы пайдаланылмаса, батареяны зарядтаңыз.

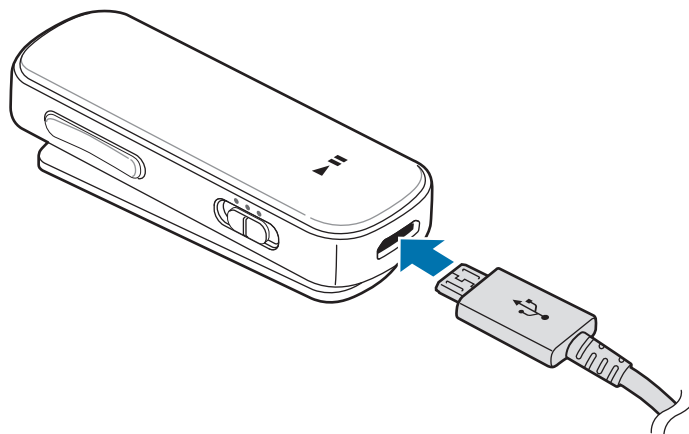


Тек Samsung бекіткен зарядтағыштарды, батареяларды және кабельдерді пайдаланыңыз. Бекітілмеген зарядтағыштар немесе кабельдер батареяның жарылуына немесе құлақаспаптың зақымдалуына әкелуі мүмкін.



Егер батарея заряды толығымен таусылса, зарядтағышты жалғағаннан кейін құлақаспапты бірден қосуға болмайды. Құлақаспапты қосудан бұрын таусылған батареяның бірнеше минут зарядталуына мүмкіндік беріңіз.

Құрылғыны компьютерге немесе USB қуат адаптеріне USB кабелі арқылы жалғаңыз.



Зарядтағышты дұрыс жалғамау құрылғыны қатты зақымдауы мүмкін. Дұрыс пайдаланбау тудырған ешбір зақымды кепілдік қамтымайды.



- Құрылғыны зарядталып жатқанда пайдалануға болады, бірақ батареяны толық зарядтауға ұзағырақ уақыт кетуі мүмкін.
- Зарядтау кезінде, құрылғы қызып кетуі мүмкін. Бұл қалыпты жағдай және құрылғыңыздың қызмет мерзіміне немесе өнімділігіне әсер етпеуі тиіс. Егер батарея әдеттегіден көбірек қызса, зарядтағыш зарядтауды тоқтатуы мүмкін.
- Құрылғыңыз дұрыс зарядталмай жатса, құрылғы мен зарядтағышты Samsung сервис орталығына апарыңыз.

Толығымен зарядтағаннан кейін құрылғыны зарядтағыштан ажыратыңыз. Алдымен зарядтағышты құрылғыдан ажыратыңыз, содан кейін электр розетка ұясынан ажыратыңыз.



Қуатты үнемдеу үшін пайдаланылмаған кезде зарядтағышты желіден ажыратыңыз. Зарядтағыштың қуат қосқышы жоқ, сондықтан қуатты ысыраптауды болдырмау үшін пайдаланбаған кезде зарядтағышты электр розетка ұясынан ажырату керек. Зарядтау кезінде зарядтағыш электр розетка ұясына жақын және оңай қол жетімді болуы керек.

Батарея деңгейін тексеру

Дыбыс деңгейін арттыру және көп функция түймесін бір уақытта 1 секунд бойы басып тұрыңыз. Хабарлау шамы зарядтау күйіне сай әр түрлі түстермен үш рет жыпылықтайды.

Күй	Түс
30%-дан аз	• Қызыл
30–60%	• Сары
60%-дан көп	• Жасыл

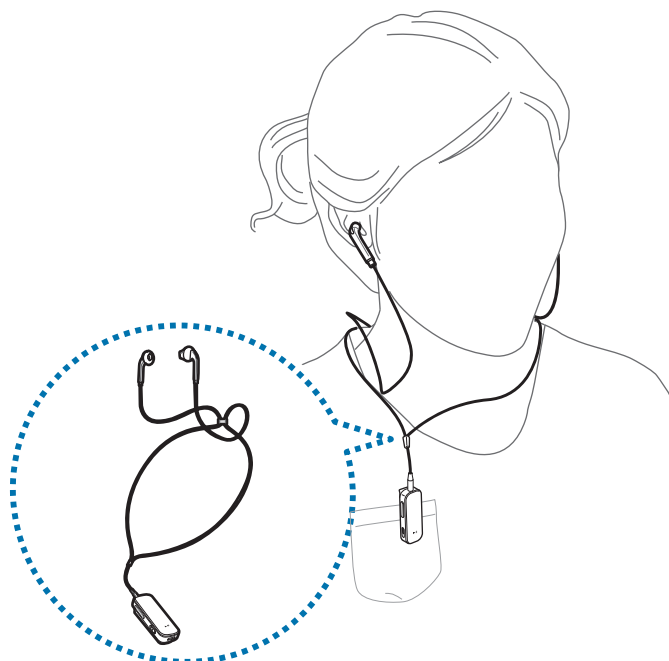
Құрылғыны және құлаққаптарды тағу

Жинақтағы құлаққаптарды Level Link құрылғысына жалғаңыз және мойныңызда тағыңыз.

- 1 Құлаққаптарды Level Link құрылғысының аудио ұяшығына қосыңыз.
- 2 Құлаққап қыстырғышын басыңызға тағуға жеткілікті үлкен ілмек болғанша реттеңіз.




3 Level Link құрылғысын киімге қыстырыңыз.

4 Құлаққаптарды мойныңызда тағыңыз және құлақтықтарды құлақтарға кіргізіңіз.



Бұл құрылғыны сымды құлаққаптарда пайдаланғанда сақ болыңыз. Құлаққаптар мойныңызға оралса, тұншығуыңыз мүмкін.

Құрылғыны қосу және өшіру

-  : алу режимін белсендіру.
-  : жіберу режимін белсендіру.
-  : құрылғыны өшіру.



Ұшақтар мен ауруханалар сияқты сымсыз құрылғыларды пайдалану шектелген жерлерде өкілетті қызметкерлердің барлық ескертулері мен нұсқауларын орындаңыз.

Құрылғыны пайдалану

Bluetooth

Bluetooth туралы

Bluetooth — әр түрлі қашықтықтардағы әр түрлі құрылғыларға қосылу үшін 2,4 ГГц жиілігін пайдаланатын сымсыз технология стандарты. Ол кабельдерді жалғаусыз мобильді құрылғылар, компьютерлер, принтерлер және басқа сандық үй құрылғылары сияқты басқа Bluetooth қолдайтын құрылғыларға қосыла және олармен деректер алмаса алады.

Bluetooth функциясын пайдалану туралы ескертулер

- Құрылғыны басқа құрылғыға қосқанда мәселелерді болдырмау үшін құрылғыларды бір біріне жақын қойыңыз.
- Құрылғы мен екінші Bluetooth құрылғысы Bluetooth қосылым ауқымының (10 м) ішінде екеніне көз жеткізіңіз. Қашықтық құрылғылар пайдаланылатын ортаға байланысты өзгеріп отыруы мүмкін.
- Құлақспап пен қосылған құрылғы арасында кедергілер, сның ішінде, адам денелері, қабырғалар, бұрыштар немесе қоршамдар жоқ екеніне көз жеткізіңіз.
- Жалғанған құрылғының Bluetooth антеннасына тимеңіз.
- Bluetooth кейбір өндірістік, ғылыми, медициналық және төмен қуатты өнімдермен бірдей жиілікті пайдаланады және осы өнімдер түрлерінің жанында қосылымдар орнатқанда кедергілер орын алуы мүмкін.
- Кейбір құрылғылар, әсіресе Bluetooth SIG сынақтан өткізбеген немесе бекітпеген құрылғылар құлақспаппен үйлесімді болмауы мүмкін.
- Bluetooth мүмкіндігін заңсыз мақсаттарда пайдаланбаңыз (мысалы, файлдардың пираттық көшірмелерін жасау немесе коммерциялық мақсаттарда хабарларды заңсыз түрде алу).

Басқа құрылғыларға жалғау



Level Link және қосылған аудио құрылғылар арасындағы дыбыс сапасы және пайдалану ауқымы Bluetooth қолдайтын аудио құрылғыларға байланысты өзгеріп отыруы мүмкін.

Алу режимінде қосу

Level Link Bluetooth қолдайтын құрылғыларға қосылған болса, кіріс қоңырауларды қабылдауға немесе музыканы тыңдауға болады. Бірінші рет іске қосқан кезде Level Link Bluetooth жұптастыру режиміне енеді.

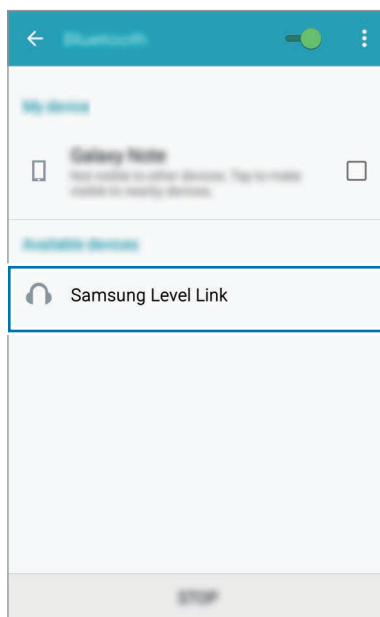


- Level Link құрылғысы Bluetooth арқылы басқа құрылғылармен бірінші рет жұптағанда Level Link жұпталған құрылғыларға автоматты түрде қосылады. Қосылмаса, Level Link Bluetooth жұптастыру режиміне кіреді.
- Level Link сегіз құрылғыға дейін құрылғы туралы ақпаратты сақтай алады. Бірнеше құрылғыға қосылған болса, Level Link соңғы жұпталған құрылғыға қосылады.

- 1 Level Link** Алу режимін белсендіру үшін режим қосқышын солға сырғытыңыз.
- 2 Level Link** Bluetooth жұптастыру режиміне кіру үшін көп функция түймесін шамамен 3 секунд бойы басып тұрыңыз.
- 3 Екінші құрылғы** Bluetooth мүмкіндігін белсендіріңіз және Bluetooth құрылғыларын іздеңіз.

Қосымша ақпаратты екінші құрылғының пайдаланушы нұсқаулығынан қараңыз.

4 **Екінші құрылғы** Тізімде **Samsung Level Link** құрылғысын түртіңіз.



5 **Level Link** Құлаққаптарды Level Link құрылғысына қосыңыз.

Я болмаса, Level Link құрылғысын аудио кабель арқылы аудио шығыс құрылғысының қосымша кіріс ұяшығына жалғаңыз.



Бұл режимде Level Link құрылғысын аудио кабель арқылы теледидардың немесе компьютердің аудио шығыс ұяшығына жалғасаңыз, Level Link құрылғыңыз зақымдалуы мүмкін.

Жіберу режимінде қосу

Құрылғыны мультимедиалық ойнатқышқа аудио кабель арқылы жалғаңыз. Мультимедиалық файлдарды Bluetooth гарнитурасы сияқты басқа аудио құрылғы арқылы тыңдауға болады. Бірінші рет іске қосқан кезде Level Link Bluetooth жұптастыру режиміне енеді.



- Level Link құрылғысы Bluetooth арқылы басқа құрылғылармен бірінші рет жұптағанда Level Link жұпталған құрылғыларға автоматты түрде қосылады. Қосылмаса, Level Link Bluetooth жұптастыру режиміне кіреді.
- Level Link сегіз құрылғыға дейін құрылғы туралы ақпаратты сақтай алады. Бірнеше құрылғыға қосылған болса, Level Link соңғы жұпталған құрылғыға қосылады.

- 1 Level Link** Жіберу режимін белсендіру үшін режим қосқышын оңға сырғытыңыз.
- 2 Level Link** Bluetooth жұптастыру режиміне кіру үшін көп функция түймесін шамамен 3 секунд бойы басып тұрыңыз.
- 3 Level Link** Level Link құрылғысын жұптастырылған аудио құрылғыдан 30 см аралығында қойыңыз.
Level Link және аудио құрылғы енді Bluetooth арқылы қосылады. Қосылу сәтсіз аяқталса, аудио құрылғыны өшіріп, қайта қосыңыз. Содан кейін жоғарыдағы қадамдарды қайталаңыз.
- 4** Аудио кабельді Level Link құрылғысының аудио ұяшығына қосыңыз. Содан кейін аудио кабельдің екінші соңын мультимедиалық ойнатқыштың аудио шығыс ұяшығына қосыңыз.



- Bluetooth арқылы қосу әдісі қосылған құрылғыларға байланысты өзгеріп отыруы мүмкін. Қосымша ақпаратты жалғанған құрылғының пайдаланушы нұсқаулығынан қараңыз.
- Level Link теледидарға жіберу режимінде қосылса, бейне мен дыбыстың ауытқуы мәселелері орын алуы мүмкін. Level Link құрылғысын aptX Low Latency кодекін қолдайтын теледидарға қосу ұсынылады.
- Level Link құрылғысын мультимедиалық ойнатқышпен бірге пайдаланғанда кенет, қатты дыбыстарды болдырмау үшін аудио кабельді ажырату адлында мультимедиалық ойнатқыштың дыбыс деңгейін азайтыңыз.
- Қосылған мультимедиалық ойнатқыштың дыбыс деңгейіне байланысты дыбыс деңгейін төмендеуі немесе шу болуы мүмкін. Мұны болдырмау үшін мультимедиалық ойнатқыштың дыбысын тиісті түрде реттеңіз.

Қосымша құрылғыларды қосу

Алу режимінде немесе жіберу режимінде Level Link құрылғысы Bluetooth арқылы екі құрылғыға қосыла алады.

- 1 Алу режимінде немесе жіберу режимінде Level Link құрылғысын бірінші құрылғыға қосыңыз.
- 2 Level Link құрылғысын екінші құрылғыға Bluetooth арқылы бірінші құрылғы үшін пайдаланылған қосылу әдісін пайдаланып қосыңыз.



- Алу режимінде Level Link анықталған құрылғылар тізімінде көрінбесе, Bluetooth жұптастыру режиміне кіру үшін көп функция түймесін шамамен 3 секунд бойы басып тұрыңыз.
- Жіберу режимінде Level Link бір аудио құрылғыға қосылған болса, aptX кешігуі төмен кодегін қолдайды. Level Link құрылғысына бір уақытта екі аудио құрылғы қосылса, aptX кодегіне қолдау көрсетілмейді және бейне мен аудио шығысы синхрондалмауы мүмкін.
- Жіберу режимінде Level Link және басқа құрылғылар арасындағы пайдалану ауқымы азаюы мүмкін.

Басқа құрылғыларды қайта қосу немесе ажырату

Құрылғыларды қайта қосу

Level Link құрылғысы құрылғылар арасындағы қашықтыққа байланысты аудио құрылғыдан ажыратылса, қайтадан жұптастыру үшін құрылғыларды бір біріне жақындатыңыз және көп функция түймесін басыңыз. Я болмаса, құрылғыларды жұптастыру үшін аудио құрылғыдағы Bluetooth мәзірін пайдалануға болады.

Құрылғыларды ажырату

Level Link құрылғысын аудио құрылғыдан ажырату үшін құрылғыны өшіріңіз немесе құрылғыларды жұптастыруды үзіңіз. Екі құрылғыны аудио кабель арқылы қосқан болсаңыз, екі құрылғыдан да кабельді ажыратыңыз.

Алу және жіберу режимдерін пайдалану

Алу режимінде S Voice қолданбасын іске қосуға, кіріс қоңырауларға жауап беруге немесе мультимедиалық файлдарды ойнатуға болады. Бұл режимде Level Link құрылғысын құлаққаптармен бірге пайдаланыңыз немесе Level Link құрылғысын аудио құрылғыға аудио кабель арқылы қосыңыз.

Жіберу режимінде мультимедиалық ойнатқытың аудиосын қосылған аудио құрылғы арқылы тыңдауға болады.



- Қол жетімді мүмкіндіктер қосылатын құрылғыға байланысты өзгеріп отыруы мүмкін. Level Link бір уақытта екі құрылғыға қосылған болса, кейбір мүмкіндіктер қол жетімді болмауы мүмкін.
- Кейбір мүмкіндіктер Level Link құрылғыға Hands-Free Profile (HFP) арқылы қосылса ғана қол жетімді.
- Микрофонның орны Level Link құрылғысын тағу әдісіне байланысты өзгеріп отырады. Level Link орны қоңыраулар кезінде дыбыс сапасына әсер етуі мүмкін.

S Voice қолданбасын іске қосу

Көп функция түймесін 1 секунд бойы басыңыз. Қосылған құрылғы S Voice қолданбасын қолдаса, қолданбаны Level Link арқылы пайдалануға болады.

Қоңырауларға жауап беру және қабылдамау

Қоңырауға жауап беру

Қосылған құрылғыға шалынған қоңырауларға жауап беру үшін қоңырау түймесін басыңыз.

Қоңырауды қабылдамау

Қосылған құрылғыға шалынған қоңырауларды қабылдамау үшін қоңырау түймесін басып тұрыңыз.

Қоңырау кезінде опцияларды пайдалану

Дыбыс деңгейін реттеу

Қоңырау кезінде дыбыс деңгейін реттеу үшін дыбыс деңгейі түймесін басыңыз.

Дыбыс шығысын ауыстыру

Қоңырауларды Level Link құрылғысынан қосылған құрылғыға тасымалдау үшін қоңырау түймесін басып тұрыңыз. Бұл мүмкіндік қосылған құрылғыға байланысты қол жетімді болмауы мүмкін.

Қоңырауды аяқтау

Қоңырауды аяқтау үшін қоңырау түймесін басыңыз.

Мультимедиалық файлдарды ойнату

Алу немесе жіберу режимінде мультимедиалық файлдарды ойнату. Пайдаланылып жатқан режимге байланысты қол жетімді мүмкіндіктер өзгеріп отыруы мүмкін.

Мультимедиалық файлды ойнату және тоқтату

Қосылған құрылғыда соңғы мультимедиалық файлды ойнату үшін көп функция түймесін басыңыз.

Ойнатуды кідірту көп функция түймесін басыңыз. Ойнатуды жалғастыру үшін көп функция түймесін қайтадан басыңыз.

Алдыңғы немесе келесі мультимедиалық файлға өту

Ойнату кезінде алдыңғы немесе келесі файлға өту үшін REW түймесін немесе FF түймесін басыңыз.

Мультимедиалық файлды кері айналдыру немесе алға айналдыру

Ойнату кезінде файлды кері айналдыру немесе алға айналдыру үшін REW түймесін немесе FF түймесін басып тұрыңыз.

Дыбыс деңгейін реттеу

Дыбыс деңгейін реттеу үшін дыбыс деңгейі түймесін басыңыз.



- Level Link екі құрылғыға қосылған болса, мультимедиалық файлдарды кез келген құрылғыдан ойната аласыз. Басқа құрылғыдағы мультимедиалық файлды ойнату үшін алдымен екінші құрылғыда ойнатуды кідіртіңіз.
- Мультимедиалық файлды бір құрылғыдан ойнатсаңыз, екінші құрылғыдан әлі де қоңырауларға жауап бере аласыз.
- Жіберу режимінде аудио кабельдің және қосылған аудио құрылғының шығыс қуатында айырмашылықтар бар болса, Level Link құрылғысының дыбыс деңгейі өзгеріп отыруы мүмкін.

Деректерді қалпына келтіруді орындау

Level Link құрылғыға Bluetooth арқылы қосылған болса, Bluetooth мекенжайы және құрылғы түрі сияқты Level Link ақпараты қосылған құрылғыда сақталады. Level Link құрылғысының қосылым туралы ақпаратын жою үшін көп функция түймесін шамамен 3 секунд бойы басып Bluetooth жұптастыру режиміне кіріңіз. Содан кейін REW, FF және көп функция түймелерін бір уақытта 3 секунд бойы басып тұрыңыз.

Ақаулықтарды жою

Samsung қызмет көрсету орталығына хабарласпас бұрын мына шешімдерді пайдаланып көріңіз. Кейбір жағдайлар құрылғыға қолданылмауы мүмкін.

Құрылғы қосылмайды

Батарея заряды толығымен таусылған кезде құрылғы қосылмайды. Құрылғыны қоспас бұрын батареяны толық зарядтаңыз.

Батарея дұрыс зарядталмайды (Samsung рұқсат еткен зарядтағыш үшін)

- Зарядтағыш дұрыс жалғанғанын тексеріңіз.
- Samsung сервистік орталығына барып, батареяны ауыстырғызыңыз.

Басқа Bluetooth құрылғысы құрылғыңызды таба алмады

- Құрылғыңыз Bluetooth жұптастыру режимінде екенін тексеріңіз.
- Құрылғыны қалпына келтіріңіз және Bluetooth құрылғыларын іздеңіз.
- Құрылғы мен екінші Bluetooth құрылғысы Bluetooth қосылым ауқымының (10 м) ішінде екеніне көз жеткізіңіз.

Егер жоғарыдағы кеңестер мәселені шешпесе, Samsung сервис орталығына хабарласыңыз.

Екінші Bluetooth құрылғысы анықталмады

- Қосылу керек құрылғы Bluetooth сымсыз мүмкіндігін қолдайтынына көз жеткізіңіз.
- Құрылғы мен екінші Bluetooth құрылғысы ең үлкен Bluetooth ауқымының шеңберінде (10 м) екеніне көз жеткізіңіз.

Bluetooth арқылы қосылу жиі ажыратылады

- Егер құрылғылар арасында кедергілер болса, жұмыс қашықтығы төмендеуі мүмкін.
- Құрылғы мен екінші Bluetooth құрылғысы ең үлкен Bluetooth ауқымының шеңберінде (10 м) екеніне көз жеткізіңіз.
- Құрылғыны басқа Bluetooth құрылғыларымен бірге пайдаланғанда қосылымға электромагниттік толқындар әсер етуі мүмкін. Құрылғыны азырақ сымсыз құрылғылар бар орталарда пайдаланыңыз.

Басқалардың сөйлегені естілмейді

- Құрылғының дыбыс деңгейін реттеңіз.
- Құрылғыңыздағы дыбыстарды толық дыбыс деңгейінде ести алмасаңыз, қосылған құрылғыда дыбыс деңгейін реттеңіз.

Қоңырау кезінде дыбыс жаңғырығы естіледі

Дыбыс деңгейі түймесін басып дыбыс деңгейін реттеңіз немесе басқа аумаққа жылжыңыз.

Басқалар қоңырауда сөздеріңізді естімейді

- Ендірілген микрофонды жауып тұрмағаныңызға көз жеткізіңіз.
- Микрофон аузыңызға жақын екенін көз жеткізіңіз.

Аудио сапасы нашар

- Сымсыз желі қызметтері қызмет көрсетушінің желісіндегі мәселелерге байланысты өшірілуі мүмкін. Құрылғыны электромагниттік толқындардан аулақ ұстаңыз.
- Құрылғы мен екінші Bluetooth құрылғысы ең үлкен Bluetooth ауқымының шеңберінде (10 м) екеніне көз жеткізіңіз.

Құрылғы нұсқаулықта сипатталғаннан басқаша жұмыс істейді

- Қол жетімді функциялар қосылған құрылғыға байланысты өзгеріп отыруы мүмкін.
- Екі құрылғы құрылғымен бір уақытта қосылғанда кейбір мүмкіндіктерді пайдалану мүмкін емес.

Батарея қуаты сатып алған кезден жылдамырақ бітеді

- Құрылғыны немесе батареяны тым суық немесе тым ыстық температураға жеткізбеңіз, тиімді заряд болмауы мүмкін.
- Батарея шығындалады және пайдалы заряды уақыт өте келе қысқарады.

Сәйкестікті растау

Өнім мәліметтері

Төмендегі үшін

Өнім : Bluetooth қорғау кілті

Үлгі(лер) : EO-RG920



Мәлімдеме және тиісті стандарттар

Біз осымен жоғарыдағы өнім R&TTE директивасының (1999/5/EO):

ҚАУІПСІЗДІК	EN 60950-1 : 2006 + A11 : 2009 + A1 : 2010 + A12 : 2011
МСК	EN 50566 : 2013 EN 62479 : 2010
ЭМС	EN 301 489-01 V1.9.2 (2011-09) EN 301 489-17 V2.2.1 (2012-09)
РАДИО	EN 300 328 V1.8.1 (2012-06)

және белгілі бір қауіпті заттарды электр және электрондық жабдықта пайдалануды шектеу туралы директиваның (2011/65/EU) негізгі талаптарына сәйкес екенін мәлімдейміз (EN 50581:2012 стандартын қолдана отырып).

EO өкілеттік

Samsung Electronics Euro QA Lab.
Blackbushe Business Park
Saxony Way, Yateley, Hampshire
GU46 6GG, UK

2015.01.27



Stephen Colclough / EO өкілі

(берілген орны және күні)

(өкілетті тұлғаның аты-жөні мен қолтаңбасы)

* Бұл Samsung Қызмет орталығының мекен-жайы болып табылмайды. Samsung Қызмет орталығының мекен-жайын немесе телефон нөмірін табу үшін кепілдік картасын қараңыз немесе телефоныңызды сатып алған сатушымен хабарласыңыз.

Авторлық құқық

Copyright © 2015 Samsung Electronics

Бұл нұсқаулық халықаралық авторлық құқықтар туралы заңдармен қорғалған.

Samsung Electronics компаниясының алдын ала жазбаша рұқсатынсыз, бұл нұсқаулықтың ешбір бөлігін кез келген түрде немесе кез келген әдіс, электрондық немесе механикалық, соның ішінде, фотокөшіру, жазу немесе кез келген ақпараттық қоймада және шығарып алу жүйесінде сақтау арқылы көшіруге, таратуға, аударуға немесе тасымалдауға болмайды.

Сауда белгілері

- SAMSUNG және SAMSUNG логотипі — Samsung Electronics компаниясының тіркелген сауда белгілері.
- Bluetooth® — Bluetooth SIG корпорациясының әлемдегі тіркелген сауда белгісі.
- Барлық басқа сауда белгілері және авторлық құқықтар сәйкес иелерінің меншігі болып табылады.

Read me first

Please read this manual before using the device to ensure safe and proper use.

- Descriptions are based on the device's default settings.
- Images may differ in appearance from the actual product. Content is subject to change without prior notice.

Instructional icons



Warning: situations that could cause injury to yourself or others



Caution: situations that could cause damage to your device or other equipment



Note: notes, usage tips, or additional information

Getting started

About Level Link

The Level Link supports receiving mode and sending mode. In receiving mode, you can connect earphones to the Level Link and use it as a Bluetooth headset for Bluetooth-enabled devices, such as smartphones or tablets. In sending mode, you can use the device as a dongle that connects to computers, TVs, Bluetooth headsets, and more.

In receiving mode, you can use the following features:

- Launching S Voice
- Receiving or ending calls
- Controlling multimedia files

In sending mode, you can play sound of the connected multimedia device.

Package contents

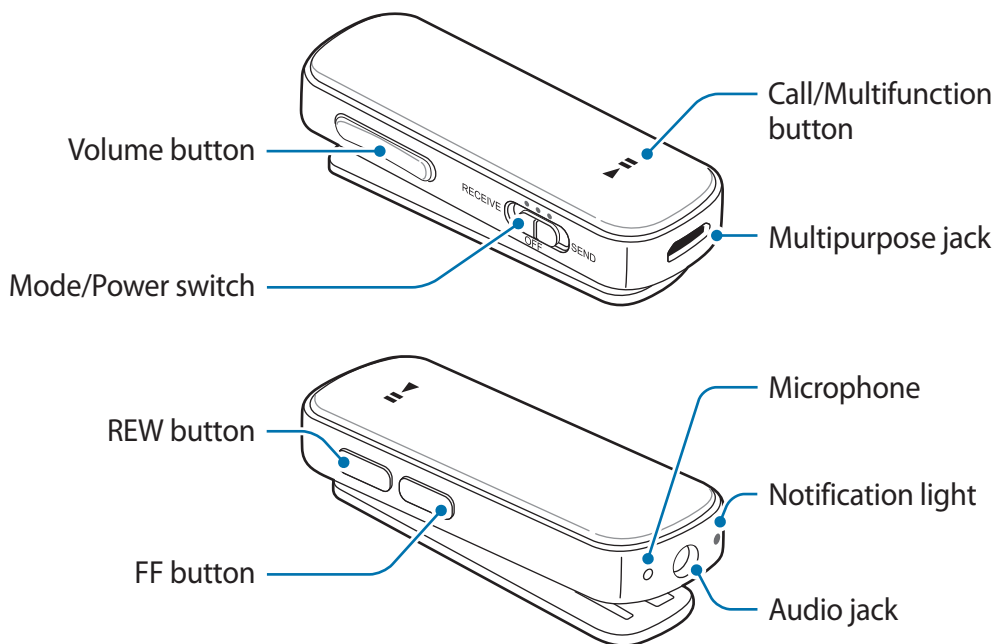
Check the product box for the following items:

- Device
- Earphones
- USB cable
- Audio cable
- Quick start guide



- The items supplied with the device and any available accessories may vary depending on the region or service provider.
- The supplied items are designed only for this device and may not be compatible with other devices.
- Appearances and specifications are subject to change without prior notice.
- You can purchase additional accessories from your local Samsung retailer. Make sure they are compatible with the device before purchase.
- Use only Samsung-approved accessories. Using unapproved accessories may cause the performance problems and malfunctions that are not covered by the warranty.
- Availability of all accessories is subject to change depending entirely on manufacturing companies. For more information about available accessories, refer to the Samsung website.

Device layout



Buttons and functions

Name	Function
Mode/Power switch	<ul style="list-style-type: none"> Slide left to activate receiving mode and slide right to activate sending mode. Slide to OFF to turn off the device.
Call/Multifunction button	<ul style="list-style-type: none"> In receiving mode, press and hold for 1 second to launch S Voice. In receiving mode, press to answer or end a call. In receiving mode, press and hold to reject a call. In receiving mode, press and hold to transfer calls from the Level Link to your other device, or vice versa. In receiving mode, press to play or stop multimedia files. In receiving mode or sending mode, press and hold for 3 seconds to enter Bluetooth pairing mode.
Volume button	<ul style="list-style-type: none"> In receiving mode, press to adjust the volume during a call. In receiving mode, press to adjust the volume while playing multimedia files.
REW button / FF buttons	<ul style="list-style-type: none"> In receiving mode, press to play the previous or next multimedia file during playback. In receiving mode, press and hold to rewind or fast forward a multimedia file during playback.

Status indicator

Status	Color
Bluetooth pairing mode	<ul style="list-style-type: none"> Flashing red, green, and blue
Power on or activate modes	<ul style="list-style-type: none"> Flashing blue 3 times
Power off	<ul style="list-style-type: none"> Flashing red 3 times
Incoming call	<ul style="list-style-type: none"> Flashing blue

Charging the battery

Charge the battery before using the Level Link for the first time or when the Level Link has been unused for extended periods.

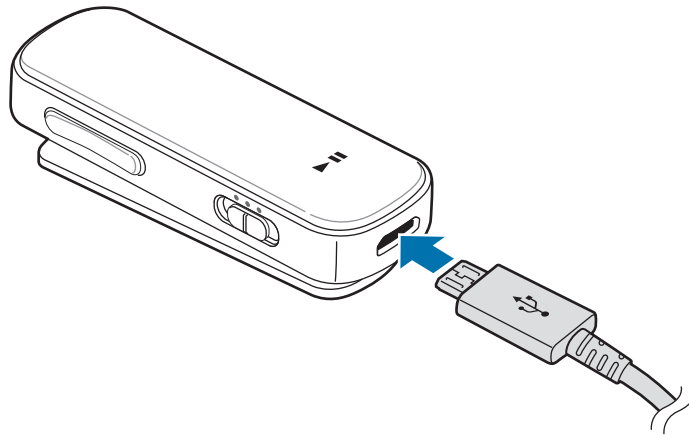


Use only Samsung-approved chargers, batteries, and cables. Unapproved chargers or cables can cause the battery to explode or damage the headset.



If the battery is completely discharged, the headset cannot be turned on immediately when the charger is connected. Allow a depleted battery to charge for a few minutes before turning on the headset.

Connect the device to a computer or the USB power adapter via the USB cable.



Connecting the charger improperly may cause serious damage to the device. Any damage caused by misuse is not covered by the warranty.



- The device can be used while it is charging, but it may take longer to fully charge the battery.
- While charging, the device may heat up. This is normal and should not affect the device's lifespan or performance. If the battery gets hotter than usual, the charger may stop charging.
- If the device is not charging properly, take the device and the charger to a Samsung Service Center.

After fully charging, disconnect the device from the charger. First unplug the charger from the device, and then unplug it from the electric socket.



To save energy, unplug the charger when not in use. The charger does not have a power switch, so you must unplug the charger from the electric socket when not in use to avoid wasting power. The charger should remain close to the electric socket and easily accessible while charging.

Checking the battery level

Simultaneously press and hold the Volume up button and the Multifunction button for 1 second. The notification light flashes three times in different colors according to the charging status.

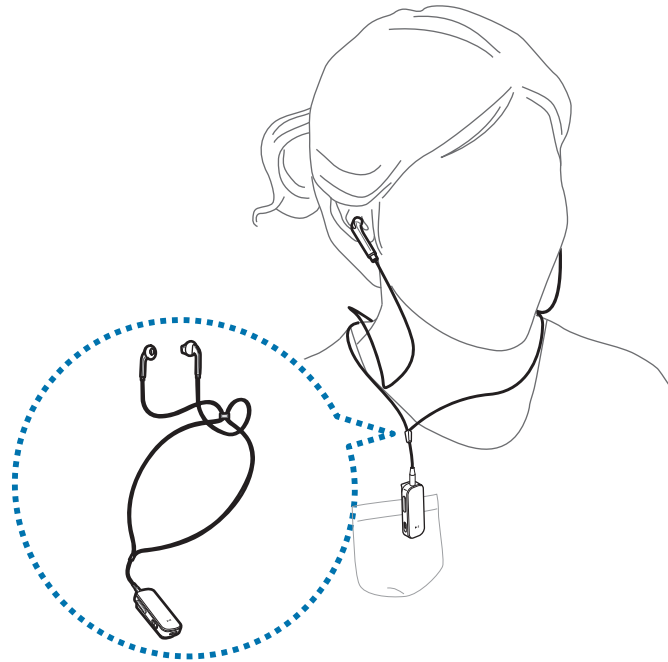
Status	Color
Less than 30%	• Red
30-60%	• Yellow
More than 60%	• Green

Wearing the device and earphones

Connect the supplied earphones to the Level Link and wear them around your neck.

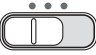
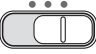
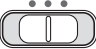
- 1 Plug the earphones into the audio jack of the Level Link.
- 2 Adjust the earphone clip form a loop large enough to fit your head through.

- 3 Clip the Level Link on your clothes.
- 4 Wear the earphones around your neck and plug in the earbuds.



Use caution when using this device with wired earphones. You may choke if the earphones wrap around your neck.

Turning the device on and off

-  : Activate receiving mode.
-  : Activate sending mode.
-  : Turn off the device.



Follow all posted warnings and directions from authorized personnel in areas where the use of wireless devices is restricted, such as airplanes and hospitals.

Using the device

Bluetooth

About Bluetooth

Bluetooth is a wireless technology standard that uses a 2.4 GHz frequency to connect to various devices over short distances. It can connect and exchange data with other Bluetooth enabled devices, such as mobile devices, computers, printers, and other digital home appliances, without connecting via cables.

Notices for using Bluetooth

- To avoid problems when connecting your device to another device, place the devices close to each other.
- Ensure that your device and the other Bluetooth device are within the Bluetooth connection range (10 m). The distance may vary depending on the environment the devices are used in.
- Ensure that there are no obstacles between the headset and a connected device, including human bodies, walls, corners, or fences.
- Do not touch the Bluetooth antenna of a connected device.
- Bluetooth uses the same frequency as some industrial, scientific, medical, and low power products and interference may occur when making connections near these types of products.
- Some devices, especially those that are not tested or approved by the Bluetooth SIG, may be incompatible with the headset.
- Do not use the Bluetooth feature for illegal purposes (for example, pirating copies of files or illegally tapping communications for commercial purposes).

Connecting to other devices



Sound quality and usage range between the Level Link and connected audio devices may vary depending on the Bluetooth-enabled audio devices.

Connecting in receiving mode

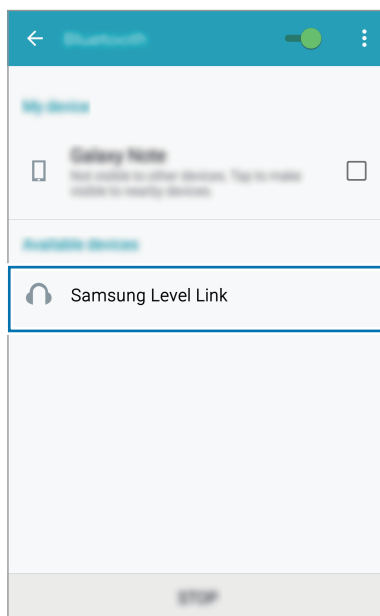
You can receive incoming calls or listen to music when your Level Link is connected to Bluetooth-enabled devices. When you turn on the Level Link for the first time, it enters Bluetooth pairing mode.



- When pairing the Level Link with other devices via Bluetooth for the first time, the Level Link automatically connects to the paired devices. If the Level Link fails to connect, it enters Bluetooth pairing mode.
- The Level Link can store device information for up to eight devices. If the Level Link has been connected to more than one device, it connects to the most recently paired device.

- 1 Level Link** Slide the Mode switch to the left to activate receiving mode.
- 2 Level Link** Press and hold the Multifunction button for about 3 seconds to enter Bluetooth pairing mode.
- 3 Other device** Activate the Bluetooth feature and search for Bluetooth devices.
For more information, refer to the other device's user manual.

4 Other device Tap **Samsung Level Link** from the list.



5 Level Link Connect the earphones to the Level Link.

Or, connect the Level Link to the auxiliary input jack of an audio output device via an audio cable.



In this mode, if you connect the Level Link via an audio cable to a TV or computer's audio output jack, your Level Link may be damaged.

Connecting in sending mode

Connect your device to a multimedia player, via the audio cable. You can listen to multimedia files via another audio device, such as a Bluetooth headset. When you turn on the Level Link for the first time, it enters Bluetooth pairing mode.



- When pairing the Level Link with other devices via Bluetooth for the first time, the Level Link automatically connects to the paired devices. If the Level Link fails to connect, it enters Bluetooth pairing mode.
- The Level Link can store device information for up to eight devices. If the Level Link has been connected to more than one device, it connects to the most recently paired device.

- 1 **Level Link** Slide the Mode switch to the right to activate sending mode.
- 2 **Level Link** Press and hold the Multifunction button for about 3 seconds to enter Bluetooth pairing mode.
- 3 **Level Link** Place your Level Link within 30 cm of the paired audio device.
The Level Link and the audio device are now connected via Bluetooth. If the connection fails, turn off the audio device and turn it on again. Then, repeat the steps above.
- 4 Plug the audio cable into the audio jack of the Level Link. Then, plug the other end of the audio cable into the audio output jack of the multimedia player.



- The method for connecting via Bluetooth may vary depending on the connected devices. For more information, refer to the user manual of the connected device.
- When the Level Link is connected to a TV in sending mode, lipsync problems may occur. It is recommended to connect the Level Link to a TV that supports the aptX low-latency codec.
- When using the Level Link with a multimedia player, turn down the multimedia player's volume before unplugging the audio cable to prevent sudden, loud sounds.
- You may experience drops in volume or noise depending on the connected multimedia player's volume. To avoid this, appropriately adjust the multimedia player's sound.

Connecting additional devices

In receiving mode or sending mode, your Level Link can connect to up to two devices via Bluetooth.

- 1 In receiving mode or in sending mode, connect your Level Link to the first device.
- 2 Connect the Level Link to a second device via Bluetooth using the connection method used for the first device.



- In receiving mode, if the Level Link does not appear in the detected devices list, press and hold the Multifunction button for about 3 seconds to enter Bluetooth pairing mode.
- In sending mode, the Level Link supports the aptX low-latency codec when it is connected to one audio device. If two audio devices are simultaneously connected to the Level Link, the aptX codec is not supported and video and audio output may not be synchronized.
- In sending mode, the usage range between the Level Link and other devices may be reduced.

Reconnecting or disconnecting from other devices

Reconnecting the devices

When your Level Link is disconnected from the audio device due to the distance between the devices, bring the devices closer together and press the Multifunction button to pair them again. Or, you can use the Bluetooth menu on the audio device to pair the devices.

Disconnecting the devices

To disconnect the Level Link from the audio device, turn off your device or unpair the devices. If you connected the two devices via an audio cable, unplug the cable from both devices.

Using receiving and sending modes

In receiving mode, you can launch S Voice, answer incoming calls, or play multimedia files. In this mode, use your Level Link with earphones, or connect the Level Link to an audio device via an audio cable.

In sending mode, you can listen to audio from the multimedia player via the connected audio device.



- Available features may vary depending on the device you connect to. Some features may not be available if the Level Link is simultaneously connected to two devices.
- Some features are available only when the Level Link connects to a device via the Hands-Free Profile (HFP).
- The microphone's location varies depending on how you are wearing the Level Link. The position of the Level Link may affect to sound quality during calls.

Launching S Voice

Press the Multifunction button for 1 second. If the connected device support S Voice, you can use the app via the Level Link.

Answering and rejecting calls

Answering a call

Press the Call button to answer calls made to the connected device.

Rejecting a call

Press and hold the Call button to reject calls made to the connected device.

Using options during a call

Adjusting the volume

During a call, press the Volume button to adjust the volume.

Switching sound output

Press and hold the Call button to transfer calls from the Level Link to the connected device. This feature may not be available depending on the connected device.

Ending a call

Press the Call button to end a call.

Playing multimedia files

Play multimedia files in receiving or sending mode. Available features may vary depending on the mode being used.

Playing and stopping a multimedia file

Press the Multifunction button to play the most recent multimedia file on the connected device.

Press the Multifunction button to pause playback. To resume playback, press the Multifunction button again.

Skipping to the previous or next multimedia file

Press the REW button or the FF button to skip to the previous or the next file during playback.

Rewinding or fast forwarding the multimedia file

Press and hold the REW button or FF button to rewind or fast forward the file during playback.

Adjusting the volume

Press the Volume button to adjust the volume.



- When the Level Link is connected to two devices, you can play multimedia files from either device. To play a multimedia file from a different device, pause playback from the other device first.
- When you play a multimedia file from one device, you can still answer calls from the other device.
- If there are differences in the output power of the audio cable and the connected audio device in sending mode, the sound volume on the Level Link may vary.

Performing a data reset

When your Level Link is connected to a device via Bluetooth, the Level Link's information, such as Bluetooth address and device type, is stored on the connected device. To delete the Level Link's connection information, press and hold the Multifunction button for about 3 seconds to enter Bluetooth pairing mode. Then, press and hold the REW, FF, and Multifunction buttons simultaneously for 3 seconds.

Troubleshooting

Before contacting a Samsung Service Center, please attempt the following solutions. Some situations may not apply to your device.

Your device does not turn on

When the battery is completely discharged, your device will not turn on. Charge the battery completely before turning on the device.

The battery does not charge properly (For Samsung-approved chargers)

- Ensure that the charger is connected properly.
- Visit a Samsung Service Center and have the battery replaced.

Another Bluetooth device cannot locate your device

- Ensure that your device is in Bluetooth pairing mode.
- Reset the device and search for Bluetooth devices.
- Ensure that your device and the other Bluetooth device are within the Bluetooth connection range (10 m).

If the tips above do not solve the problem, contact a Samsung Service Center.

Another Bluetooth device is not located

- Ensure that the device you wish to connect with supports the Bluetooth wireless feature.
- Ensure that your device and the other Bluetooth device are within the maximum Bluetooth range (10 m).

Bluetooth connect is often disconnected

- If there are obstacles between the devices, the operating distance may be reduced.
- Ensure that your device and the other Bluetooth device are within the maximum Bluetooth range (10 m).
- When using the device with other Bluetooth devices, the connection may be affected by electromagnetic waves. Use the device in environments with fewer wireless devices present.

You cannot hear others speaking

- Adjust the device volume.
- Adjust the volume on the connected device when you cannot hear sounds on your device at full volume.

Sound echoes during a call

Adjust the volume by pressing the Volume button or move to another area.

Others cannot hear you speaking on a call

- Ensure that you are not covering the built-in microphone.
- Ensure that the microphone is close to your mouth.

Audio quality is poor

- Wireless network services may be disabled due to issues with the service provider's network. Ensure to keep the device away from electromagnetic waves.
- Ensure that your device and the other Bluetooth device are within the maximum Bluetooth range (10 m).

The device works differently as described in the manual

- Available functions may differ depending on the connected device.
- Some features cannot be used when two devices are connected with the device at the same time.

The battery depletes faster than when first purchased

- When you expose the device or the battery to very cold or very hot temperatures, the useful charge may be reduced.
- The battery is consumable and the useful charge will get shorter over time.

Copyright

Copyright © 2015 Samsung Electronics

This manual is protected under international copyright laws.

No part of this manual may be reproduced, distributed, translated, or transmitted in any form or by any means, electronic or mechanical, including photocopying, recording, or storing in any information storage and retrieval system, without the prior written permission of Samsung Electronics.

Trademarks

- SAMSUNG and the SAMSUNG logo are registered trademarks of Samsung Electronics.
- Bluetooth® is a registered trademark of Bluetooth SIG, Inc. worldwide.
- All other trademarks and copyrights are the property of their respective owners.

Lea la siguiente información antes de utilizar el producto

Lea este manual antes de utilizar el dispositivo a fin de garantizar el uso correcto y seguro.

- Las descripciones se basan en la configuración predeterminada del dispositivo.
- Es posible que las imágenes no sean exactamente iguales al producto real. El contenido está sujeto a cambio sin previo aviso.

Iconos instructivos



Advertencia: Situaciones que pueden provocarle lesiones a usted o a otras personas



Precaución: Situaciones que pueden provocarle daños al dispositivo o a otros equipos



Nota: Notas, sugerencias de uso o información adicional

Para comenzar

Sobre el Level Link

El Level Link admite el modo de recepción y el modo de envío. En el modo de recepción, podrá conectar auriculares al Level Link y utilizarlo como un auricular Bluetooth para dispositivos habilitados para Bluetooth, como smartphones o tabletas. En el modo de envío, podrá utilizar el dispositivo como un dongle que se podrá conectar con computadoras, televisores, auriculares Bluetooth y muchas cosas más.

En el modo de recepción, podrá utilizar las siguientes funciones:

- Iniciar S Voice
- Recibir o finalizar llamadas
- Controlar archivos multimedia

En el modo de envío, podrá reproducir sonido del dispositivo multimedia conectado.

Contenidos de la caja

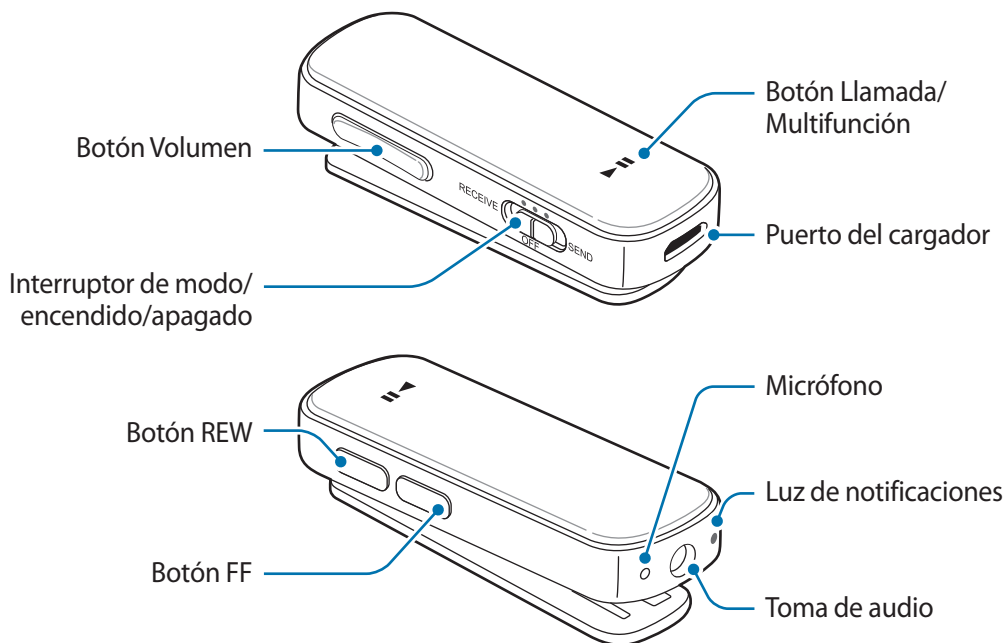
Busque los siguientes elementos en la caja del producto:

- Dispositivo
- Auriculares
- Cable USB
- Cable de audio
- Guía de inicio rápido



- Los elementos que vienen con el dispositivo y los accesorios disponibles pueden variar según la región o el proveedor de servicios.
- Los elementos suministrados están diseñados exclusivamente para este dispositivo y podrían no ser compatibles con otros dispositivos.
- El aspecto y las especificaciones están sujetos a cambio sin previo aviso.
- Podrá comprar accesorios adicionales en su distribuidor local de Samsung. Asegúrese de que sean compatibles con el dispositivo antes de comprarlos.
- Utilice solo accesorios aprobados por Samsung. El uso de accesorios no aprobados podría provocar problemas de rendimiento y errores de funcionamiento que no se encuentran cubiertos por la garantía.
- La disponibilidad de todos los accesorios se encuentra sujeta a cambio y depende completamente de las empresas fabricantes. Para obtener más información sobre los accesorios disponibles, consulte el sitio web de Samsung.

Diseño del dispositivo



Botones y funciones

Nombre	Función
Interruptor de modo/encendido/apagado	<ul style="list-style-type: none"> • Desplácese hacia la izquierda para activar el modo de recepción, y hacia la derecha para activar el modo de envío. • Desplácese hacia OFF para apagar el dispositivo.
Botón Llamada/ Multifunción	<ul style="list-style-type: none"> • En el modo de recepción, mantenga presionado durante 1 segundo para iniciar S Voice. • En el modo de recepción, presione para responder o finalizar una llamada. • En el modo de recepción, mantenga presionado para rechazar una llamada. • En el modo de recepción, mantenga presionado para transferir llamadas del Level Link al otro dispositivo o viceversa. • En el modo de recepción, presione para reproducir o pausar archivos multimedia. • En el modo de envío o recepción, mantenga presionado durante 3 segundos para ingresar en el modo de vinculación Bluetooth.
Botón Volumen	<ul style="list-style-type: none"> • En el modo de recepción, presione para ajustar el volumen durante una llamada. • En el modo de recepción, presione para ajustar el volumen mientras reproduce archivos multimedia.
Botón REW / Botón FF	<ul style="list-style-type: none"> • En el modo de recepción, presione para reproducir el archivo multimedia anterior o siguiente durante la reproducción. • En el modo de recepción, mantenga presionado para retroceder o avanzar en un archivo multimedia durante la reproducción.

Indicador de estado

Estado	Color
Modo de vinculación Bluetooth	<ul style="list-style-type: none"> • Intermitente rojo, azul y verde
Encender o activar modos	<ul style="list-style-type: none"> • Intermitente azul 3 veces
Apagar	<ul style="list-style-type: none"> • Intermitente rojo 3 veces
Llamada entrante	<ul style="list-style-type: none"> • Intermitente azul

Cargar la batería

Cargue la batería antes de utilizar el Level Link por primera vez o si no lo ha utilizado durante mucho tiempo.

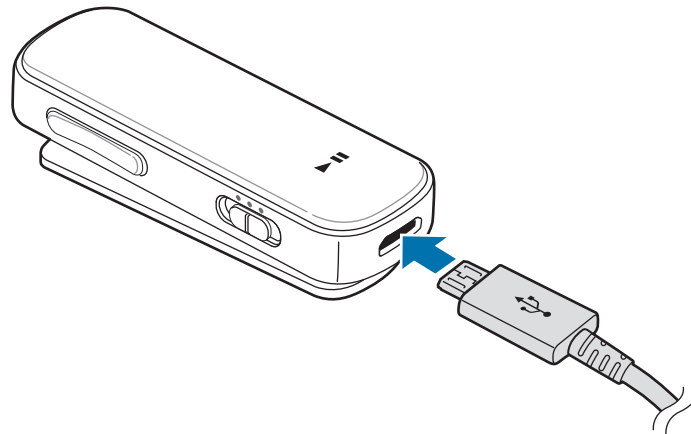


Utilice solo cargadores, baterías y cables aprobados por Samsung. Los cargadores o cables no aprobados pueden provocar que la batería explote o dañe el auricular.



Si la batería se encuentra completamente descargada, no podrá encender el auricular inmediatamente después de conectar el cargador. Deje que la batería agotada se cargue durante algunos minutos antes de encender el auricular.

Conecte el dispositivo a una computadora o al adaptador de corriente USB con el cable USB.



Si conecta el cargador en forma incorrecta, podría provocar daños serios al dispositivo. La garantía no cubre ningún daño provocado por el mal uso.



- El dispositivo se puede utilizar mientras se está cargando, sin embargo la batería podría tardar más tiempo en cargarse por completo.
- Durante la carga, es posible que el dispositivo se caliente. Esto es normal y no tiene por qué afectar la vida útil o al rendimiento del dispositivo. Si la batería se calienta más de lo normal, el cargador podría interrumpir la carga.
- Si el dispositivo no se está cargando correctamente, lleve el dispositivo y el cargador a un Centro de Servicios de Samsung.

Cuando la batería esté totalmante cargada, desconecte el dispositivo del cargador. Desconecte el cargador del dispositivo primero, y luego de la toma eléctrica.



Para ahorrar energía, desconecte el cargador cuando no esté utilizándolo. El cargador no dispone de interruptor de encendido/apagado, por lo que deberá desconectarlo de la toma eléctrica cuando no esté en uso para evitar el desperdicio de energía. El cargador deberá permanecer cerca de la toma eléctrica, y deberá poder acceder a él fácilmente mientras el dispositivo se esté cargando.

Comprobar el nivel de carga de la batería

Mantenga presionados los botones Volumen y Multifunción a la vez durante 1 segundo. La luz de notificaciones parpadeará tres veces en diferentes colores según el estado de la carga.

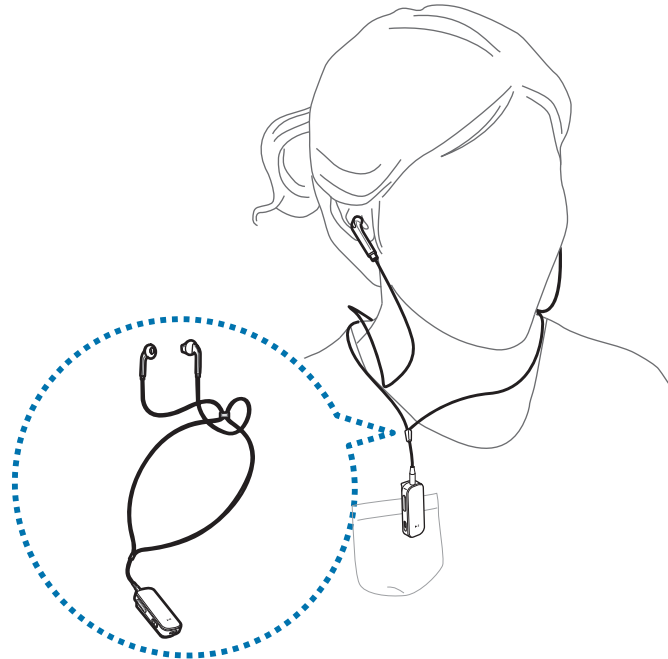
Estado	Color
Menos del 30%	• Rojo
De 30 a 60%	• Amarillo
Más del 60%	• Verde

Colocarse el dispositivo y los auriculares

Conecte los auriculares incluidos al Level Link y colóqueselos alrededor del cuello.

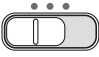
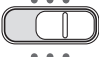

- 1 Conecte los auriculares a la toma de audio del Level Link.
- 2 Ajuste el clip del auricular para formar un lazo por el que pueda pasar la cabeza.

- 3 Colóquese el Level Link en la ropa con el clip.
- 4 Colóquese los auriculares alrededor del cuello y conéctelos.



Tenga cuidado al utilizar este dispositivo con auriculares con cable. Si los auriculares se le enroscan alrededor del cuello, podría ahogarse.

Encender y apagar el dispositivo

-  : Activa el modo de recepción.
-  : Activa el modo de envío.
-  : Apaga el dispositivo.



Cumpla con todas las advertencias e instrucciones del personal autorizado en lugares en los cuales exista una restricción sobre el uso de dispositivos inalámbricos, como por ejemplo en aviones u hospitales.

Uso del dispositivo

Bluetooth

Sobre la tecnología Bluetooth

Bluetooth es una tecnología inalámbrica estándar que emplea una frecuencia de 2,4 GHz para conectarse con diversos dispositivos a distancias cortas. Permite la conexión y el intercambio de datos con otros dispositivos habilitados para Bluetooth, tales como dispositivos móviles, computadoras, impresoras y otros electrodomésticos digitales, sin que sea necesario utilizar cables.

Avisos para el uso de Bluetooth

- Para evitar problemas al conectar el dispositivo a otro, acerque los dispositivos.
- Asegúrese de que el dispositivo y el otro dispositivo Bluetooth se encuentren dentro del rango Bluetooth máximo (10 m). La distancia puede variar según el entorno en el cual usen los dispositivos.
- Asegúrese de que no haya obstáculos entre el auricular y el dispositivo conectado, incluyendo personas, paredes, esquinas o cercos.
- No toque la zona de la antena Bluetooth del dispositivo conectado.
- La función Bluetooth utiliza la misma frecuencia que algunos productos industriales, científicos, médicos o de bajo consumo de energía, y podría producirse interferencia al establecer conexiones cerca de este tipo de productos.
- Algunos dispositivos, en especial aquellos que no han sido probados o aprobados por Bluetooth SIG, podrían no ser compatibles con el auricular.
- No use la función Bluetooth con propósitos ilegales (por ejemplo, para piratear copias de archivos o interceptar comunicaciones de manera ilegal con propósitos comerciales).

Conexión con otros dispositivos



La calidad del sonido y el rango de uso entre Level Link y los dispositivos de audio conectados pueden variar según los dispositivos de audio habilitados para Bluetooth.

Conectarse en el modo de recepción

Podrá recibir llamadas entrantes o escuchar música cuando Level Link esté conectado con dispositivos habilitados para Bluetooth. Al activar Level Link por primera vez, este ingresará en el modo de vinculación Bluetooth.



- Al vincular el Level Link con otros dispositivos mediante Bluetooth por primera vez, el Level Link conectará automáticamente los dispositivos vinculados. Si el Level Link no se conecta, ingresará en el modo de vinculación Bluetooth.
- El Level Link puede almacenar datos de hasta ocho dispositivos. Si el Level Link se ha conectado a más de un dispositivo, se conectará al último dispositivo vinculado.

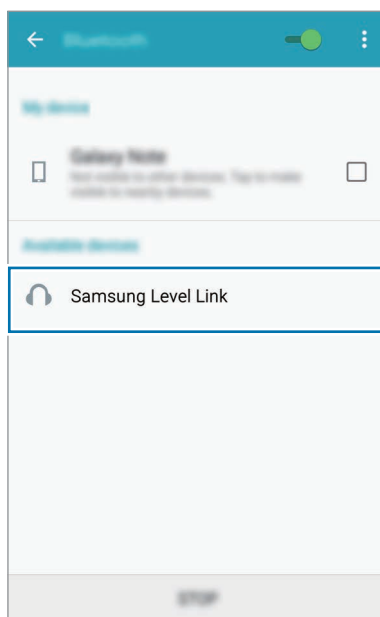
1 Level Link Deslice el interruptor de modo hacia la izquierda para activar el modo de recepción.

2 Level Link Mantenga presionado el botón Multifunción durante aproximadamente 3 segundos para ingresar en el modo de vinculación Bluetooth.

3 Otro dispositivo Active la función Bluetooth y busque dispositivos Bluetooth.

Para obtener más información, consulte el manual del usuario del otro dispositivo.

4 Otro dispositivo Toque **Samsung Level Link** en la lista.



5 Level Link Conecte los auriculares al Level Link.

O conecte el Level Link a la toma de entrada auxiliar de un dispositivo de salida de audio mediante un cable de audio.



En este modo, si conecta en Level Link con un TV o la toma de salida de audio de una computadora mediante un cable de audio, el Level Link podría sufrir daños.

Conectarse en el modo de envío

Conecte el dispositivo a un reproductor multimedia con el cable de audio. Podrá escuchar archivos multimedia a través de otro dispositivo de audio, como un auricular Bluetooth. Al activar Level Link por primera vez, este ingresará en el modo de vinculación Bluetooth.



- Al vincular el Level Link con otros dispositivos mediante Bluetooth por primera vez, el Level Link conectará automáticamente los dispositivos vinculados. Si el Level Link no se conecta, ingresará en el modo de vinculación Bluetooth.
- El Level Link puede almacenar datos de hasta ocho dispositivos. Si el Level Link se ha conectado a más de un dispositivo, se conectará al último dispositivo vinculado.

1 **Level Link** Deslice el interruptor de modo hacia la derecha para activar el modo de envío.

2 **Level Link** Mantenga presionado el botón Multifunción durante aproximadamente 3 segundos para ingresar en el modo de vinculación Bluetooth.

3 **Level Link** Coloque el Level Link a 30 cm del dispositivo de audio vinculado.

El Level Link y el dispositivo de audio están conectados mediante Bluetooth. Si la conexión falla, apague el dispositivo de audio y enciéndalo nuevamente. A continuación, repita los pasos que figuran más arriba.

4 Conecte el cable de audio a la toma de audio del Level Link. A continuación, conecte el otro extremo del cable de audio en la toma de salida de audio del reproductor multimedia.



- El método para conectarse mediante Bluetooth puede variar en función de los dispositivos conectados. Para obtener más información, consulte el manual del usuario del dispositivo conectado.
- Cuando el Level Link esté conectado con un TV en el modo de envío, podrían producirse problemas de sincronización entre la imagen y el sonido. Se recomienda conectar el Level Link a un TV que admita el codec de baja latencia aptX.
- Al utilizar el Level Link con un reproductor multimedia, baje el volumen del reproductor multimedia antes de desconectar el cable de audio para evitar sonidos fuertes repentinos.
- Podrá producirse el descenso del volumen o el sonido según el volumen del reproductor multimedia conectado. Para evitar esto, ajuste el sonido del reproductor multimedia según corresponda.

Conectar dispositivos adicionales

En el modo de envío o recepción, el Level Link podrá conectarse con hasta dos dispositivos mediante Bluetooth.

- 1 En el modo de envío o recepción, conecte el Level Link con el primer dispositivo.
- 2 Conecte el Level Link con otro dispositivo mediante Bluetooth con el mismo método de conexión que utilizó para el primer dispositivo.



- En el modo de recepción, si el Level Link no aparece en la lista de dispositivos detectados, mantenga presionado el botón Multifunción durante aproximadamente 3 segundos para ingresar en el modo de vinculación Bluetooth.
- En el modo de envío, el Level Link admite el códec de baja latencia aptX cuando está conectado con un dispositivo de audio. Si el Level Link está conectado con dos dispositivos de audio a la vez, no admitirá el códec aptX, y es posible que la salida de audio y video no esté sincronizada.
- En el modo de envío, el rango de uso entre el Level Link y los demás dispositivos podría reducirse.

Desconectar o volver a conectar otros dispositivos

Volver a conectar los dispositivos

Si el Level Link se desconecta de un dispositivo de audio debido a la distancia entre ambos dispositivos, acérquelos y presione el botón Multifunción para volver a vincularlos. También podrá utilizar el menú Bluetooth en el dispositivo de audio para vincular los dispositivos.

Desconectar los dispositivos

Para desconectar el Level Link del dispositivo de audio, apague el dispositivo o finalice la vinculación. Si ha conectado los dos dispositivos mediante un cable de audio, desconecte el cable de audio de ambos.

Utilizar los modos de envío y recepción

En el modo de recepción, podrá iniciar S Voice, responder llamadas entrantes o reproducir archivos multimedia. En este modo, utilice el Level Link con auriculares, o conecte el Level Link con un dispositivo de audio mediante un cable de audio.

En el modo de envío, podrá escuchar audio del reproductor multimedia mediante el dispositivo de audio conectado.



- Las funciones disponibles pueden variar según el dispositivo con el cual se conecte. Algunas funciones podrían no estar disponibles si el Level Link está conectado con dos dispositivos a la vez.
- Algunas funciones solo estarán disponibles cuando el Level Link se conecte con un dispositivo mediante el perfil de manos libres (HFP, por sus siglas en inglés).
- La ubicación del micrófono puede variar según el modo en que tenga colocado el Level Link. La posición del Level Link podría afectar la calidad del sonido durante las llamadas.

Iniciar S Voice

Presione el botón Multifunción durante 1 segundo. Si el dispositivo conectado admite S Voice, podrá utilizar la aplicación a través del Level Link.

Responder y rechazar llamadas.

Responder una llamada

Presione el botón Llamada para responder las llamadas que ingresen en el dispositivo conectado.

Rechazar una llamada

Mantenga presionado el botón Llamada para rechazar las llamadas que ingresen en el dispositivo conectado.

Utilizar las opciones disponibles durante una llamada

Ajustar el volumen

Durante una llamada, presione el botón Volumen para ajustar el volumen.

Cambiar la salida de sonido

Mantenga presionado el botón Llamada para transferir llamadas del Level Link al dispositivo conectado. Esta función podría no estar disponible según el dispositivo conectado.

Finalizar una llamada

Presione el botón Llamada para finalizar una llamada.

Reproducir archivos multimedia

Reproduzca archivos multimedia en el modo de envío o recepción. Las funciones disponibles pueden variar según el modo que utilice.

Reproducir y detener un archivo multimedia

Presione el botón Multifunción para reproducir el archivo multimedia más reciente en el dispositivo conectado.

Presione el botón Multifunción para pausar la reproducción. Para reanudar la reproducción, vuelva a presionar el botón Multifunción.

Pasar al archivo multimedia anterior o siguiente

Presione el botón REW o FF para pasar al archivo anterior o siguiente durante la reproducción.

Retroceder o avanzar en el archivo multimedia

Mantenga presionado el botón REW o FF para retroceder o avanzar en el archivo durante la reproducción.

Ajustar el volumen

Presione el botón Volumen para ajustar el volumen.



- Si el Level Link está conectado con dos dispositivos, podrá reproducir archivos multimedia desde cualquiera de ellos. Para reproducir un archivo multimedia de otro dispositivo, primero deberá pausar la reproducción del otro dispositivo.
- Al reproducir un archivo multimedia de un dispositivo, aún podrá responder las llamadas que ingresen en el otro dispositivo.
- Si hay diferencias en la potencia de salida del cable de audio y el dispositivo de audio conectado en el modo de envío, el volumen del sonido del Level Link podría variar.

Restablecer los datos

Cuando el Level Link se conecte con un dispositivo mediante Bluetooth, los datos del Level Link, como la dirección Bluetooth y el tipo de dispositivo, quedarán almacenados en el dispositivo conectado. Para eliminar los datos de conexión del Level Link, mantenga presionado el botón Multifunción durante aproximadamente 3 segundos para ingresar en el modo de vinculación Bluetooth. A continuación, mantenga presionados los botones REW, FF y Multifunción a la vez durante 3 segundos.

Solución de problemas

Antes de ponerse en contacto con un Centro de Servicios de Samsung, intente las siguientes soluciones. Algunas situaciones podrían no aplicarse a su dispositivo.

El dispositivo no se enciende

Si la batería está completamente descargada, el dispositivo no se encenderá. Cargue la batería completamente antes de encender el dispositivo.

La batería no se carga completamente (con cargadores aprobados por Samsung)

- Asegúrese de que el cargador esté correctamente conectado.
- Diríjase a un Centro de Servicios de Samsung para cambiar la batería.

Otro dispositivo Bluetooth no puede ubicar el dispositivo

- Asegúrese de que el dispositivo se encuentre en el modo de vinculación Bluetooth.
- Restablezca el dispositivo y realice una búsqueda de dispositivos Bluetooth.
- Asegúrese de que el dispositivo y el otro dispositivo Bluetooth se encuentren dentro del rango Bluetooth máximo (10 m).

Si estas sugerencias no sirven para resolver el problema, póngase en contacto con un Centro de Servicios de Samsung.

No es posible ubicar otro dispositivo Bluetooth

- Asegúrese de que el dispositivo con el cual desee conectarse admita la función inalámbrica Bluetooth.
- Asegúrese de que el dispositivo y el otro dispositivo Bluetooth se encuentren dentro del rango Bluetooth máximo (10 m).

La conexión Bluetooth se interrumpe con frecuencia.

- Si hay obstáculos entre los dispositivos, la distancia de operación podría reducirse.
- Asegúrese de que el dispositivo y el otro dispositivo Bluetooth se encuentren dentro del rango Bluetooth máximo (10 m).
- Al utilizar el dispositivo junto con otros dispositivos Bluetooth, la conexión podría verse afectada por las ondas electromagnéticas. Utilice el dispositivo en entornos en los cuales no haya tantos dispositivos inalámbricos.

No se puede escuchar a las demás personas

- Ajuste el volumen del dispositivo.
- Ajuste el volumen del dispositivo conectado si no puede oír los sonidos en el dispositivo en el volumen máximo.

El sonido produce eco durante las llamadas

Ajuste el volumen presionando el botón Volumen, o diríjase hacia otro lugar.

Las demás personas no lo escuchan durante las llamadas

- Asegúrese de no estar cubriendo el micrófono integrado.
- Asegúrese de tener el micrófono cerca de la boca.

La calidad del audio es baja

- Los servicios de redes inalámbricas podrían interrumpirse debido a problemas con la red del proveedor de servicios. Asegúrese de mantener el dispositivo alejado de las ondas electromagnéticas.
- Asegúrese de que el dispositivo y el otro dispositivo Bluetooth se encuentren dentro del rango Bluetooth máximo (10 m).

El dispositivo no funciona de acuerdo con la descripción del manual

- Las funciones disponibles podrían variar según el dispositivo conectado.
- Algunas funciones no se pueden utilizar si hay dos dispositivos conectados con el dispositivo al mismo tiempo.

La batería se agota más rápidamente que al principio

- Al exponer el dispositivo o la batería a temperaturas demasiado altas o demasiado bajas, la vida útil de la batería podría reducirse.
- La batería se consume y la vida útil se reduce a medida que pasa el tiempo.

Derechos de autor

Copyright © 2015 Samsung Electronics

Este manual está protegido por las leyes internacionales de derechos de autor.

No está permitido reproducir, distribuir, traducir o transmitir ninguna parte de este manual de ninguna forma o por ningún medio, ya sea electrónico o mecánico, incluyendo fotocopiado, grabación o almacenamiento en cualquier sistema de almacenamiento y recuperación de información, sin el permiso previo por escrito de Samsung Electronics.

Marcas comerciales

- SAMSUNG y el logotipo de SAMSUNG son marcas comerciales registradas de Samsung Electronics.
- Bluetooth® es una marca comercial registrada de Bluetooth SIG, Inc. en todo el mundo.
- El resto de las marcas comerciales y derechos de autor son propiedad de sus respectivos dueños.

请先阅读说明文件

使用本设备之前，请先阅读本说明书，以确保安全和正确使用。

- 说明基于设备的默认设置。

指示图标



警告：可能伤及自己或他人的情况。



注意：可能损坏您的设备或其他设备的情况。



提示：注释、使用提示或附加信息。

入门指南

关于 Level Link

Level Link 支持接收模式和发送模式。在接收模式中，可以将耳机连接至 Level Link 并将其用作已启用蓝牙设备的蓝牙耳机，例如智能手机或平板电脑。在发送模式中，可以将设备用作连接至电脑、电视、蓝牙耳机等的 dongle。

在接收模式中，可以使用以下功能：

- 启动 S Voice
- 接听或结束通话
- 控制多媒体文件

在发送模式中，可以播放已连接多媒体设备的声音。

包装内容

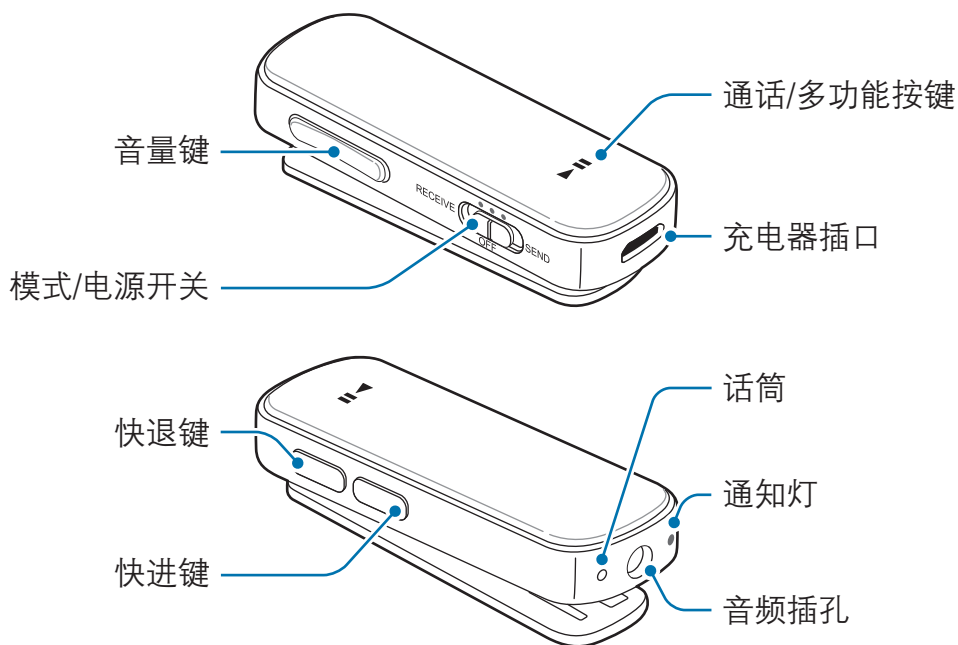
检查产品包装盒中是否有以下物品：

- 设备
- 耳机
- USB 数据线
- 音频线
- 快速入门指南



- 设备随附的物品和可用配件可能会因所在地区或服务提供商而异。
- 随附的物品专为本设备设计，可能与其他设备并不兼容。
- 可以向本地三星零售商购买其他配件。购买前请确保它们与设备兼容。
- 只可使用经过三星许可的配件。使用未经许可的配件可能导致性能问题和故障，此情形不在保修范围内。
- 是否提供所有配件完全取决于制造公司。有关可用配件的更多信息，请参阅三星网站。

设备部位图



按键和功能

名称	功能
模式/电源开关	<ul style="list-style-type: none"> 向左滑动以启动接收模式，向右滑动以启动发送模式。 滑动至 OFF 以关闭设备。
通话/多功能按键	<ul style="list-style-type: none"> 在接收模式中，按住 1 秒以启动 S Voice。 在接收模式中，按下以接听或结束通话。 在接收模式中，按住以拒绝来电。 在接收模式中，按住以将通话从 Level Link 转移至其他设备，或反之。 在接收模式中，按下以播放或停止播放多媒体文件。 在接收模式或发送模式中，按住 3 秒以进入蓝牙配对模式。
音量键	<ul style="list-style-type: none"> 在接收模式中，按下以在通话期间调节音量。 在接收模式中，按下以在播放多媒体文件时调节音量。
快退键 / 快进键	<ul style="list-style-type: none"> 在接收模式中，按下以在播放期间播放上一个或下一个多媒体文件。 在接收模式中，按住以在播放期间快退或快进多媒体文件。

状态指示灯

状态	颜色
蓝牙配对模式	<ul style="list-style-type: none"> 闪烁红色、绿色和蓝色
开机或启动模式	<ul style="list-style-type: none"> 闪烁蓝色 3 次
关闭	<ul style="list-style-type: none"> 闪烁红色 3 次
来电	<ul style="list-style-type: none"> 闪烁蓝色

为电池充电

首次使用 Level Link 前或长时间未用 Level Link 后，请先为电池充电。

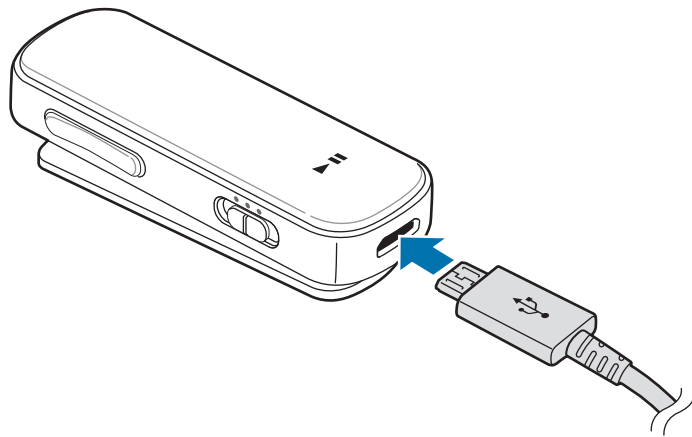


仅使用三星许可的充电器、电池和数据线。未经许可的充电器或数据线会导致电池爆炸或损坏耳机。



如果电池完全放电，连接充电器时，耳机将无法立即开启。开启耳机前，让电量耗尽的电池先充电几分钟。

通过 USB 数据线将设备连接至电脑或 USB 电源适配器。



充电器连接不当可能会导致设备严重损坏。因误操作造成的任何损坏不涵盖在保修范围内。



- 虽然在充电时可以使用设备，但这可能会延长电池完全充电的时间。
- 设备在充电时会变热。这属于正常情况，不会影响设备的使用寿命或性能。如果电池比平常更热，则充电器可能停止充电。
- 如果设备无法正常充电，请将设备和充电器送往三星服务中心。

完全充电后，断开设备与充电器的连接。先从设备拔下充电器，然后从电源插座拔下插头。



为节约电量，请在不使用时拔下 USB 电源适配器。USB 电源适配器不带电源开关，因此在不使用时必须从电源插座拔下 USB 电源适配器以节约电量。充电时，充电器应保持紧贴电源插座并易于拔插。

检查电池电量

同时按住音量增加按键和多功能键 1 秒。根据充电状态，通知灯将以不同颜色闪烁三次。

状态	颜色
低于 30%	• 红色
30–60%	• 黄色
高于 60%	• 绿色

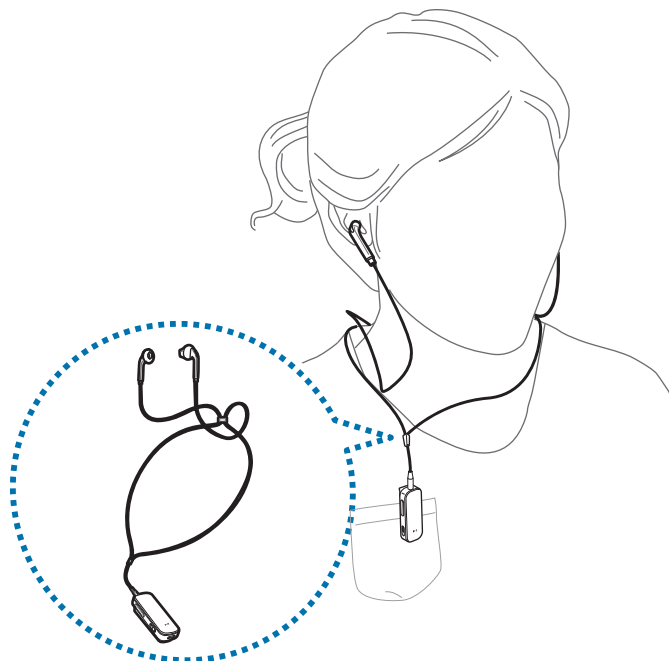
佩戴设备和耳机

将随附的耳机连接至 Level Link 并将其戴到您的脖子上。

- 1 将耳机插入至 Level Link 的音频插孔。
- 2 调整耳机夹以形成一个足够大的圈，使其适合您的头部。

3 将 Level Link 夹到您的衣物上。

4 将耳机戴到您的脖子上并塞入耳塞。



搭配有线耳机使用此设备时请务必小心。如果耳机缠绕您的脖子，可能会使您窒息。

打开或关闭设备

- ：启动接收模式。
- ：启动发送模式。
- ：关闭设备。



在限制使用无线设备的区域 (例如飞机上和医院里)，请遵守所有张贴的警告和授权人员的指示。

使用设备

蓝牙

关于蓝牙

蓝牙是一种采用 2.4 GHz 频率来连接各种短程设备的无线技术标准。它可以连接并与其他已启用蓝牙的设备，例如移动设备、电脑、打印机及其他数码家用电器交换数据，而无需通过线缆连接。

蓝牙使用注意事项

- 为避免在将您的设备连接至另一个设备时出现问题，请在放置时使设备相互靠近。
- 确保您的设备和其他蓝牙设备的距离在蓝牙连接范围 (10 m) 之内。距离可能因设备使用的环境而异。
- 确保您的耳机和所连接设备之间不存在障碍，包括人体、墙壁、角落或栅栏。
- 请勿触摸所连接设备的蓝牙天线。
- 蓝牙使用的频率可能与部分工业、科学、医学和低功率产品相同，在靠近这些类型的产品建立连接时，可能会产生干扰。
- 某些设备，尤其是未经测试或未经 Bluetooth SIG 审批的设备，可能与本耳机不兼容。
- 不得将蓝牙功能用于非法目的 (例如出于商业目的非法翻印文件或非法窃听)。

连接至其他设备



Level Link 与所连接音频设备之间的音质和使用范围可能因已启用蓝牙音频设备而异。

在接收模式中连接

Level Link 连接至已启用蓝牙的设备时，可以接听来电或收听音乐。首次开启 Level Link 时，设备将进入蓝牙配对模式。



- 首次通过蓝牙与其他设备配对 Level Link 时，Level Link 将自动连接至已配对的设备。如果 Level Link 无法连接，则会进入蓝牙配对模式。
- Level Link 可存储多达八个设备的设备信息。如果 Level Link 已连接至多个设备，则会连接至最近配对的设备。

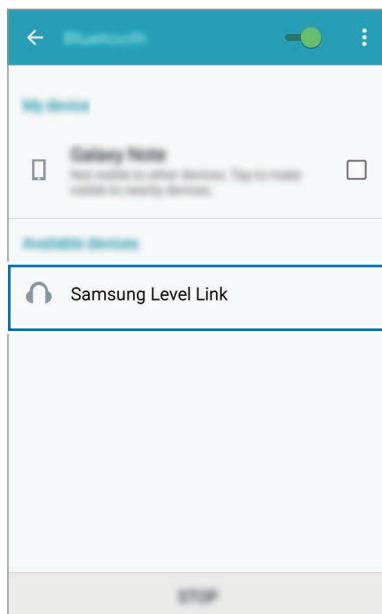
1 **Level Link** 向左滑动模式开关以启动接收模式。

2 **Level Link** 按住多功能键约 3 秒以进入蓝牙配对模式。

3 **其他设备** 启动蓝牙功能并搜索蓝牙设备。

有关详细信息，请参阅其他设备的使用说明书。

4 **其他设备** 从列表中点击 **Samsung Level Link**。




5 **Level Link** 将耳机连接至 Level Link。

或者，通过音频线将 Level Link 连接至音频输出设备的辅助输入插孔。

 在此模式中，如果通过音频线将 Level Link 连接至电视或电脑的音频输入插孔，您的 Level Link 可能会损坏。

在发送模式中连接

通过音频线将设备连接至多媒体播放器。可以通过蓝牙耳机等其他音频设备收听多媒体文件。首次开启 Level Link 时，设备将进入蓝牙配对模式。

-  首次通过蓝牙与其他设备配对 Level Link 时，Level Link 将自动连接至已配对的设备。如果 Level Link 无法连接，则会进入蓝牙配对模式。
- Level Link 可存储多达八个设备的设备信息。如果 Level Link 已连接至多个设备，则会连接至最近配对的设备。

1 **Level Link** 向右滑动模式开关以启动发送模式。

2 **Level Link** 按住多功能键约 3 秒以进入蓝牙配对模式。

3 **Level Link** 将 Level Link 放置在已配对音频设备的 30 cm 范围内。

Level Link 和音频设备现已通过蓝牙连接。如果连接失败，关闭音频设备并重新打开。然后，重复以上步骤。

4 将音频线插入 Level Link 的音频插孔。然后，将音频线的另一端插入多媒体播放器的音频输出插孔。



- 通过蓝牙连接的方法可能会因所连接设备而有所不同。有关详细信息，请参阅相连设备的使用说明书。
- 当 Level Link 在发送模式中连接至电视时，可能会发生唇形同步问题。建议将 Level Link 连接至支持 APTX 低延时编解码器的电视。
- 搭配多媒体播放器使用 Level Link 时，请在拔出音频线前先调低多媒体播放器的音量，以防止发出突然、响亮的声音。
- 取决于所连接多媒体播放器的音量，您可能会遇到音量或噪音降低的情况。为了避免这种情况，请适当地调节多媒体播放器的声音。

连接其他设备

在接收模式或发送模式中，Level Link 可以通过蓝牙连接至最多两个设备。

- 1 在接收模式或发送模式中，将 Level Link 连接至第一个设备。
- 2 使用与连接第一个设备相同的方法通过蓝牙将 Level Link 连接至第二个设备。



- 在接收模式中，如果 Level Link 未出现在检测到的设备列表中，请按住多功能键约 3 秒以进入蓝牙配对模式。
- 在发送模式中，Level Link 将在其连接至一个音频设备时支持 aptX 低延时编解码器。如果有两个音频设备同时连接至 Level Link，将不支持 aptX 编解码器且视频和音频输出可能无法同步。
- 在发送模式中，Level Link 与其他设备之间的使用范围可能会缩短。

重新连接设备或从其他设备断开连接

重新连接设备

如果因设备之间的距离而使 Level Link 与音频设备的连接断开，请将设备靠近一点，并按下多功能键以重新配对。或者，可以使用音频设备上的蓝牙功能表以配对设备。

断开设备连接

如欲从音频设备断开 Level Link 连接，关闭您的设备或取消配对设备。如果已通过音频线连接两个设备，请从两个设备拔下线缆。

使用接收和发送模式

在接收模式中，可以启动 S Voice、接听来电或播放多媒体文件。在此模式中，可搭配耳机使用 Level Link，或通过音频线将 Level Link 连接至音频设备。

在发送模式中，可以通过所连接的音频设备从多媒体播放器中收听音频。



- 可用的功能可能因您连接至的设备而有所不同。如果 Level Link 同时连接至两个设备，某些功能可能无法使用。
- 某些功能仅在 Level Link 通过免提模式 (HFP) 连接至设备时可用。
- 取决于如何佩戴 Level Link 的方式，话筒的位置可能有所不同。在通话期间，Level Link 的位置可能会影响通话音质。

启动 S Voice

按下多功能键 1 秒。如果所连接设备支持 S Voice，则可通过 Level Link 使用应用程序。

接听和拒绝来电

接听来电

按下通话键以接听拨打至所连接设备的来电。

拒绝来电

按住通话键以拒绝拨打至所连接设备的来电。

在通话中使用选项

调整音量

在通话过程中，按下音量键以调节音量。

切换声音输出

按住通话键以将通话从 Level Link 转移至所连接的设备。取决于所连接的设备，此功能可能无法使用。

结束通话

按下通话按键以结束通话。

播放多媒体文件

在接收或发送模式中播放多媒体文件。可用的功能可能因正在使用的模式而有所不同。

播放和停止播放多媒体文件

按下多功能键以播放所连接设备上的最近播放多媒体文件。

按下多功能键以暂停播放。如欲恢复播放，请再次按下多功能键。

跳至上一个或下一个多媒体文件

在播放期间按下快退键或快进键以跳至上一个或下一个文件。

快退或快进多媒体文件

按住快退键或快进键以在播放过程中快退或快进文件。

调整音量

按下音量键以调节音量。



- Level Link 已连接至两个设备时，可以播放任一设备的多媒体文件。如欲播放来自不同设备的多媒体文件，先暂停另一个设备的播放。
- 播放一个设备的多媒体文件时，您仍然可以接听来自另一个设备的来电。
- 在发送模式中，如果音频线和所连接音频设备的输出功率存在差异，则 Level Link 的音量可能会有所不同。

执行数据重置

Level Link 通过蓝牙连接至设备时，Level Link 的信息，例如蓝牙地址和设备类型将存储到所连接的设备上。如欲删除 Level Link 的连接信息，按住多功能键约 3 秒以进入蓝牙配对模式。然后，同时按住快退、快进和多功能键 3 秒。

故障排除

联系三星服务中心前，请尝试以下解决办法。某些情形可能不适用于您的设备。

设备未打开

电池完全放电时，设备将无法打开。打开设备前，先为电池完全充电。

电池未正常充电 (适用于三星许可的充电器)

- 确保充电器正确连接。
- 请访问三星服务中心并更换电池。

另一蓝牙设备无法定位您的设备

- 确保设备处于蓝牙配对模式。
- 重置设备并搜索蓝牙设备。
- 确保您的设备和其他蓝牙设备的距离在蓝牙连接范围 (10 m) 之内。

如果以上方法仍无法解决问题，请联系三星服务中心。

找不到另一个蓝牙设备

- 确保您希望与之连接的设备支持蓝牙无线功能。
- 确保设备和另一个蓝牙设备的距离在最大蓝牙范围 (10 m) 之内。

蓝牙连接经常断开

- 如果设备之间存在障碍，有效距离可能会缩短。
- 确保设备和另一个蓝牙设备的距离在最大蓝牙范围 (10 m) 之内。
- 搭配其他蓝牙设备使用设备时，连接可能会受电磁波影响。在没有太多无线设备存在的环境中使用设备。

无法听到别人说话

- 调整设备音量。
- 当您使用设备上的最大音量却仍然无法听到声音时，请调整所连接设备的音量。

通话时出现回音

按下音量键调整音量或移至另一区域。

通话时对方无法听到您的声音

- 确保未盖住内置话筒。
- 确保内置话筒靠近您的嘴部。

声音质量差

- 无线网络服务可能因服务提供商的网络问题而禁用。确保使设备远离电磁波。
- 确保设备和另一个蓝牙设备的距离在最大蓝牙范围 (10 m) 之内。

设备的工作方式与说明书中的描述不同

- 可用的功能可能因所连接的设备而有所不同。
- 两个设备同时与本设备连接时，部分功能无法使用。

电池耗尽的速度比最初购买时更快

- 将设备或电池曝露在极冷或极热的温度条件下时，实际可用的充电电量可能会变短。
- 电池属于消耗品，随着时间的推移，实际可用的充电电量将会变短。

通知

产品中有害物质的名称及其含量

部件名称	有害物质					
	铅 (Pb)	汞 (Hg)	镉 (Cd)	六价铬 (Cr ⁶⁺)	多溴联苯 (PBB)	多溴二苯醚 (PBDE)
印刷电路板组件	X	○	○	○	○	○
塑料	○	○	○	○	○	○
金属	X	○	○	○	○	○
电池	○	○	○	○	○	○
附件	○	○	○	○	○	○

本表格依据 SJ/T 11364 的规定编制。

○: 表示该有害物质在该部件所有均质材料中的含量均在 GB/T 26572 规定的限量要求以下。

X: 表示该有害物质至少在该部件某一均质材料中的含量超出 GB/T 26572 规定的限量要求。

本表格提供的信息是基于供应商提供的数据及三星公司的检测结果。在当前技术水平下，所有有害物质的使用控制到了最底线。三星公司会继续努力通过改进技术来减少这些物质的使用。



本产品的“环保使用期限”为 20 年，其标识如左图所示。电池等可更换部件的环保使用期限可能与产品的环保使用期限不同。只有在本说明书所述的正常情况下使用本产品时，“环保使用期限”才有效。

- 天津三星通信技术有限公司
地址：天津市西青区微电子工业区微五路 9 号 (邮编：300385)
- 惠州三星电子有限公司
地址：广东省惠州市仲恺高新技术产业开发区陈江街道仲恺六路 256 号
(邮编：516029)
- 越南三星电子有限公司
地址：越南北宁省安风县安中1号安风工业区 (邮编：440000)

版权

版权 © 2015 Samsung Electronics

本说明书受国际版权法保护。

未经 Samsung Electronics 事先书面许可，不得以任何形式或方式 (电子或机械) 复制、分发、转译或传播本说明书中的任何内容，包括影印、录制或存储在任何信息存储器和检索系统中。

商标

- SAMSUNG 和 SAMSUNG 徽标是 Samsung Electronics 的注册商标。
- Bluetooth® 是 Bluetooth SIG, Inc. 在全球的注册商标。
- 其他所有商标和版权的所有权归各自所有者所有。

請先參閱說明文件

使用裝置之前，請先閱讀本手冊，以確保安全和正確使用。

- 說明基於裝置的預設設定。
- 圖像可能與實際產品的外觀不同。內容如有更改，恕不另行通知。

說明圖示



警告：可能會傷害自己或他人的情況



注意：可能會損壞裝置或其他設備的情況



備註：附註、使用技巧或其他資料

新手上路

關於 Level Link

Level Link 支援接收模式和發送模式。在接收模式中，可以將耳機連接至 Level Link 並將其用作已啓用藍牙裝置的藍牙耳機，例如智能手機或平板電腦。在發送模式中，可以將裝置用作連接至電腦、電視、藍牙耳機等的 dongle。

在接收模式中，可以使用以下功能：

- 啓動 S Voice
- 接聽或結束通話
- 控制多媒體檔案

在發送模式中，可以播放已連接多媒體裝置的聲音。

包裝內容

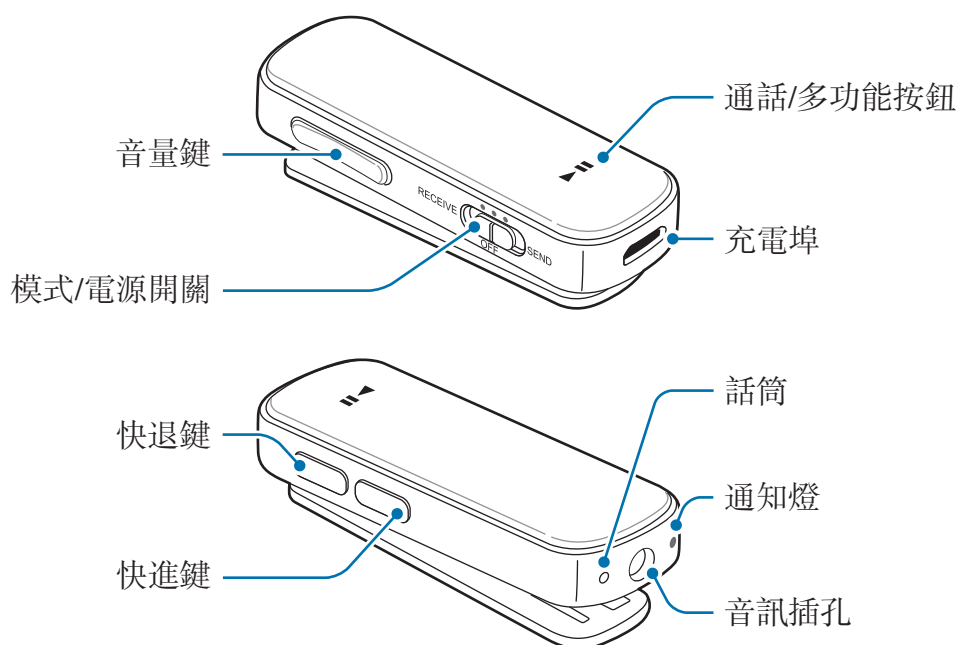
檢查產品包裝盒內是否有以下物品：

- 裝置
- 耳機
- USB 纜線
- 音訊纜線
- 快速入門指南



- 裝置隨附的項目和可用的配件可能會因所在地區或服務供應商有所不同。
- 隨附項目僅針對本裝置設計，與其他裝置並不相容。
- 外觀和規格如有變更，恕不另行通知。
- 可另向當地的三星零售商購買附加的配件。購買前確保它們與裝置相容。
- 請僅使用三星認可的配件。使用未經認可的配件可能導致效能問題和故障，此情形不屬保用範疇。
- 是否提供所有配件完全決定於生產廠家。有關可用配件的更多資訊，請參閱三星網站。

裝置結構圖



按鈕和功能

名稱	功能
模式/電源開關	<ul style="list-style-type: none"> 向左滑動以啓動接收模式，向右滑動以啓動發送模式。 滑動至 OFF 以關閉裝置。
通話/多功能按鈕	<ul style="list-style-type: none"> 在接收模式中，按住 1 秒以啓動 S Voice。 在接收模式中，按下以接聽或結束通話。 在接收模式中，按住以拒絕來電。 在接收模式中，按住以將通話從 Level Link 轉駁至其他裝置，或反之。 在接收模式中，按下以播放或停止播放多媒體檔案。 在接收模式或發送模式中，按住 3 秒以進入藍牙配對模式。
音量鍵	<ul style="list-style-type: none"> 在接收模式中，按下以在通話期間調節音量。 在接收模式中，按下以在播放多媒體檔案時調節音量。
快退鍵 / 快進鍵	<ul style="list-style-type: none"> 在接收模式中，按下以在播放期間播放上一個或下一個多媒體檔案。 在接收模式中，按住以在播放期間快退或快進多媒體檔案。

狀態指示燈

狀態	顏色
藍牙配對模式	<ul style="list-style-type: none"> 閃爍紅色、綠色和藍色
開機或啟動模式	<ul style="list-style-type: none"> 閃爍藍色 3 次
關閉	<ul style="list-style-type: none"> 閃爍紅色 3 次
來電	<ul style="list-style-type: none"> 閃爍藍色

為電池充電

首次使用 Level Link 前或長時間未使用 Level Link 後，請先為電池充電。

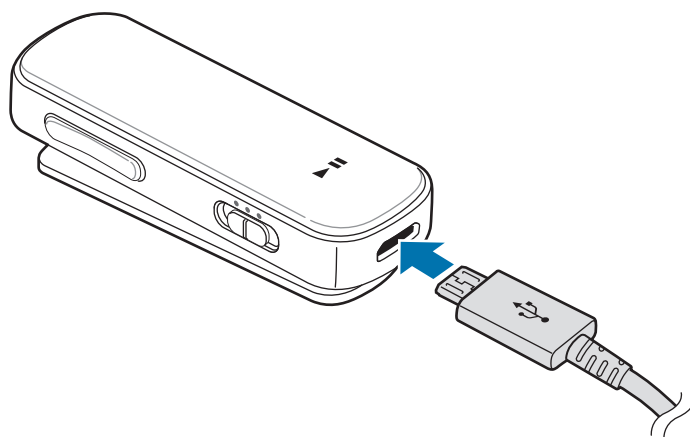


僅用三星認可的充電器、電池和纜線。未經認可的充電器或纜線會導致電池爆炸或損壞耳機。



如果電池完全放電，連接充電器時，耳機將無法立即開啓。為耗完電的電池充電幾分鐘，然後再開啓耳機。

透過 USB 纜線將裝置連接至電腦或 USB 電源轉接器。



充電器連接不當可能會導致裝置嚴重損壞。任何因使用不當造成的損壞均不屬保用範疇。



- 可在充電時使用裝置，然而會延長電池完全充電的時間。
- 當充電時，裝置可能變熱。這屬正常現象，不會影響裝置的使用壽命或效能。若電池比正常情況熱，充電器可能停止充電。
- 如果裝置不能正確充電，請將裝置和充電器送至三星服務中心。

完全充電後，從裝置斷開充電器的連接。先從裝置拔下充電器，然後從電源插座拔下插頭。



爲了節約能源，在不使用時請拔下充電器。此充電器是沒有電源開關，所以您必須從插座拔下充電器，以避免在不使用時浪費電力。在充電時應保持充電器與電源插座緊密連接且易於插拔。

檢查電池電量

同時按住音量增加按鈕和多功能鍵 1 秒。根據充電狀態，通知燈將以不同顏色閃爍三次。

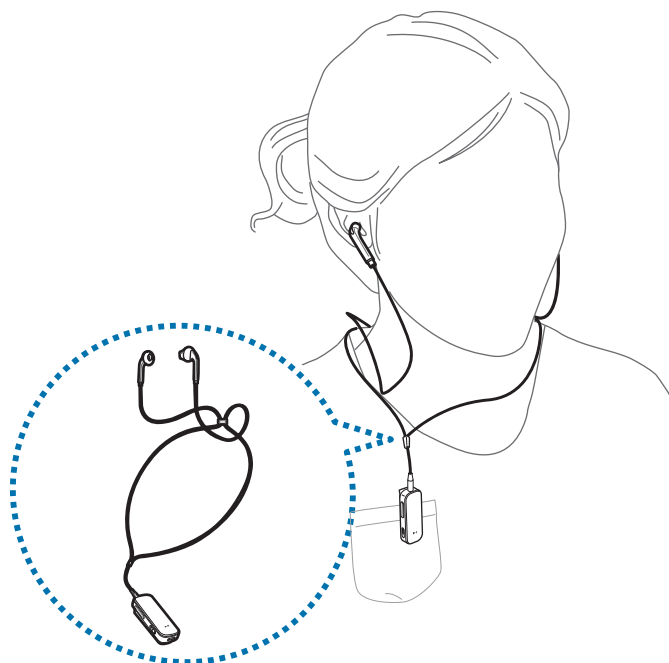
狀態	顏色
不足 30%	• 紅色
30–60%	• 黃色
超過 60%	• 綠色


佩戴裝置和耳機

將隨附的耳機連接至 Level Link 並將其戴到您的頸部。




- 1 將耳機插入至 Level Link 的音訊插孔。
- 2 調整耳機夾以形成一個足夠大的圈，使其適合您的頭部。


- 3 將 Level Link 夾到您的衣物上。
- 4 將耳機戴到您的頸部上並塞入耳塞。



 搭配有線耳機使用此裝置時請務必小心。如果耳機纏繞您的頸部，可能會使您窒息。

開機和關機

- ：啓動接收模式。
- ：啓動發送模式。
- ：關閉裝置。

 在禁止使用無線裝置的區域 (例如：在飛機上和醫院裡)，請遵守所有張貼的警告和官方人員的指示。

使用裝置

藍牙

關於藍牙

藍牙是一種採用 2.4 GHz 頻率來連接各種短距離內裝置的無線技術標準。它可以連接並與其他已啓用藍牙的裝置，例如流動裝置、電腦、打印機及其他數位家用電器交換數據，而無需透過纜線連接。

藍牙使用須知

- 為避免在將您的裝置連接至另一裝置時出現問題，請使裝置相互靠近。
- 確認您的裝置和其他的藍牙裝置位於藍牙連線範圍內 (10 米)。距離可能因裝置使用的環境而有所不同。
- 確保您的耳機和已連接裝置之間不存在障礙，包括人體、牆壁、角落或柵欄。
- 請勿觸碰已連接裝置的藍牙天線。
- 藍牙使用與部分工業、科學、醫學和低功率產品相同的頻率，在這些類型的產品附近進行連接時，可能會產生干擾。
- 某些裝置，尤其未經 Bluetooth SIG 測試或認可的裝置，可能與您的耳機不相容。
- 不可將藍牙功能用於非法目的 (例如：出於商業目的剽竊檔案副本或非法竊聽)。

連接至其他裝置



Level Link 與已連接音訊裝置之間的音質和使用範圍可能因已啓用藍牙音訊裝置而有所不同。

在接收模式中連接

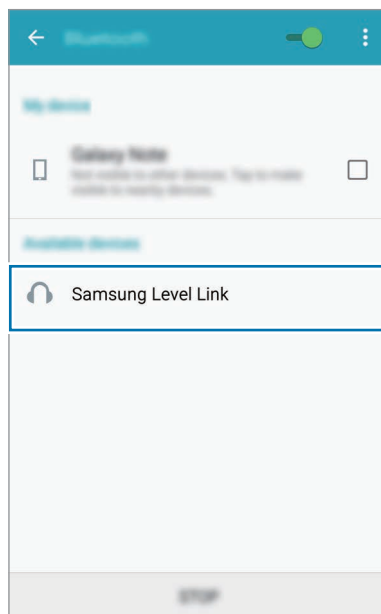
Level Link 連接至已啓用藍牙的裝置時，可以接聽來電或收聽音樂。首次開啓 Level Link 時，裝置將進入藍牙配對模式。



- 首次透過藍牙與其他裝置配對 Level Link 時，Level Link 將自動連接至已配對的裝置。如果 Level Link 無法連接，則會進入藍牙配對模式。
- Level Link 最多可儲存八個裝置的裝置資訊。如果 Level Link 已連接至多個裝置，則會連接至最近配對的裝置。

- 1 **Level Link** 向左滑動模式開關以啓動接收模式。
- 2 **Level Link** 按住多功能鍵約 3 秒以進入藍牙配對模式。
- 3 **其他裝置** 啓動藍牙功能並搜尋藍牙裝置。
如需詳細資料，請參閱其他裝置的用戶手冊。

4 其他裝置 從清單中輕觸 **Samsung Level Link**。



5 **Level Link** 將耳機連接至 Level Link。

或者，透過音訊纜線將 Level Link 連接至音訊輸出裝置的輔助輸入插孔。



在此模式中，如果透過音訊纜線將 Level Link 連接至電視或電腦的音訊輸入插孔，您的 Level Link 可能會損壞。

在發送模式中連接

透過音訊纜線將裝置連接至多媒體播放器。可以透過藍牙耳機等其他音訊裝置收聽多媒體檔案。首次開啓 Level Link 時，裝置將進入藍牙配對模式。



- 首次透過藍牙與其他裝置配對 Level Link 時，Level Link 將自動連接至已配對的裝置。如果 Level Link 無法連接，則會進入藍牙配對模式。
- Level Link 最多可儲存八個裝置的裝置資訊。如果 Level Link 已連接至多個裝置，則會連接至最近配對的裝置。

1 **Level Link** 向右滑動模式開關以啓動發送模式。

2 **Level Link** 按住多功能鍵約 3 秒以進入藍牙配對模式。

3 **Level Link** 將 Level Link 放置在已配對音訊裝置的 30 厘米範圍內。

Level Link 和音訊裝置現已透過藍牙連接。如果連接失敗，關閉音訊裝置並重新開啓。然後，重複以上步驟。

4 將音訊纜線插入 Level Link 的音訊插孔。然後，將音訊纜線的另一端插入多媒體播放器的音訊輸出插孔。



- 透過藍牙連接的方式可能會因已連接裝置而有所不同。如需詳細資料，請參閱相連裝置的用戶手冊。
- 當 Level Link 在發送模式中連接至電視時，可能會發生唇形同步問題。建議將 Level Link 連接至支持 APTX 低延時轉碼器的電視。
- 搭配多媒體播放器使用 Level Link 時，請在拔出音訊纜線前先調低多媒體播放器的音量，以防止發出突然、響亮的聲音。
- 視乎已連接多媒體播放器的音量而定，您可能會遇到音量或噪音降低的情況。為避免此情形，請適當地調節多媒體播放器的聲音。

連接其他裝置

在接收模式或發送模式中，Level Link 最多可以透過藍牙連接至兩個裝置。

- 1 在接收模式或發送模式中，將 Level Link 連接至第一個裝置。
- 2 使用與連接第一個裝置相同的方式透過藍牙將 Level Link 連接至第二個裝置。



- 在接收模式中，如果 Level Link 未在偵測到的裝置清單中出現，請按住多功能鍵約 3 秒以進入藍牙配對模式。
- 在發送模式中，Level Link 將在其連接至一個音訊裝置時支持 aptX 低延時轉碼器。如果有兩個音訊裝置同時連接至 Level Link，將不支持 aptX 轉碼器且視訊和音訊輸出可能無法同步。
- 在發送模式中，Level Link 與其他裝置之間的使用範圍可能會縮短。

重新連接裝置或從其他裝置中斷連接

重新連接裝置

如果因裝置之間的距離而使 Level Link 與音訊裝置的連接中斷，請將裝置靠近一點，並按下多功能鍵以重新配對。或者，可以使用音訊裝置上的藍牙功能表以配對裝置。

中斷連接裝置

若要從音訊裝置中斷連接 Level Link，關閉您的裝置或取消配對裝置。如果已透過音訊纜線連接兩個裝置，請從兩個裝置拔下纜線。

使用接收和發送模式

在接收模式中，可以啓動 S Voice、接聽來電或播放多媒體檔案。在此模式中，可搭配耳機使用 Level Link，或透過音訊纜線將 Level Link 連接至音訊裝置。

在發送模式中，可以透過已連接的音訊裝置從多媒體播放器中收聽音訊。



- 可用的功能可能因您連接至的裝置而有所不同。如果 Level Link 同時連接至兩個裝置，某些功能可能無法使用。
- 某些功能僅在 Level Link 通過免提模式 (HFP) 連接至裝置時可用。
- 視乎如何佩戴 Level Link 的方式而定，麥克風的位置可能有所不同。在通話期間，Level Link 的位置可能會影響通話音質。

啟動 S Voice

按下多功能鍵 1 秒。如果已連接裝置支持 S Voice，則可透過 Level Link 使用應用程式。

接聽和拒絕來電

接聽來電

按下通話鍵以接聽撥打至已連接裝置的來電。

拒絕來電

按住通話鍵以拒絕撥打至已連接裝置的來電。

在通話中使用選項

調整音量

在通話過程中，按下音量鍵以調節音量。

切換聲音輸出

按住通話鍵以將通話從 Level Link 轉駁至已連接的裝置。視乎已連接的裝置而定，此功能可能無法使用。

結束通話

按下通話按鈕以結束通話。

播放多媒體檔案

在接收或發送模式中播放多媒體檔案。可用的功能可能因正在使用的模式而有所不同。

播放和停止播放多媒體檔案

按下多功能鍵以播放已連接裝置上的最近播放多媒體檔案。

按下多功能鍵以暫停播放。若要繼續播放，請再次按下多功能鍵。

跳至上一個或下一個多媒體檔案

在播放期間按下快退鍵或快進鍵以跳至上一個或下一個檔案。

快退或快進多媒體檔案

按住快退鍵或快進鍵以在播放過程中快退或快進檔案。

調整音量

按下音量鍵以調節音量。



- Level Link 已連接至兩個裝置時，可以播放任一裝置的多媒體檔案。若要播放來自不同裝置的多媒體檔案，請先暫停另一個裝置的播放。
- 播放一個裝置的多媒體檔案時，仍可接聽來自另一個裝置的來電。
- 在發送模式中，如果音訊纜線和已連接音訊裝置的輸出功率存在差異，則 Level Link 的音量可能會有所不同。

執行數據重設

Level Link 透過藍牙連接至裝置時，Level Link 的資訊，例如藍牙地址和裝置類型將儲存到已連接的裝置上。若要刪除 Level Link 的連接資訊，按住多功能鍵約 3 秒以進入藍牙配對模式。然後，同時按住快退、快進和多功能鍵 3 秒。

故障排除

聯絡三星服務中心前，請嘗試以下解決方法。某些情形可能不適用於您的裝置。

裝置未開啟

電池完全放電時，裝置將無法開啓。開啓裝置前，先給電池完全充電。

電池未正常充電 (適用於三星認可的充電器)

- 確保充電器正確連接。
- 請前往三星服務中心並更換電池。

另一藍牙裝置無法定位您的裝置

- 確保裝置處於藍牙配對模式。
- 重設裝置並搜尋藍牙裝置。
- 確認您的裝置和其他的藍牙裝置位於藍牙連線範圍內 (10 米)。

若上列步驟無法解決問題，請聯絡三星服務中心。

找不到其他藍牙裝置

- 請確認您希望與之連接的裝置支援藍牙無線功能。
- 確認您的裝置和其他藍牙裝置位於最大藍牙範圍內 (10 米)。

藍牙連接經常中斷

- 如果裝置間存在障礙，有效距離可能會縮短。
- 確認您的裝置和其他藍牙裝置位於最大藍牙範圍內 (10 米)。
- 搭配其他藍牙裝置使用裝置時，連接可能會受電磁波影響。在存在無線裝置更少的環境中使用裝置。

無法聽到別人說話

- 調整裝置音量。
- 以最大音量仍無法聽到裝置上的聲音時，調節已連接裝置的音量。

通話時出現回音

按下音量鍵調整音量或移至其他區域。

通話時對方無法聽到您的聲音

- 確認沒有蓋住內建話筒。
- 確認話筒靠近嘴部。

聲音質素較差

- 無線網絡服務可能因服務供應商的網絡問題而被停用。確認使裝置遠離電磁波。
- 確認您的裝置和其他藍牙裝置位於最大藍牙範圍內 (10 米)。

裝置的工作方式與手冊中的說明不同

- 可用的功能可能因已連接裝置而有所不同。
- 兩個裝置同時與本裝置連接時，部分功能無法使用。

電池耗盡的速度比購買之初更快

- 將耳機或電池暴露在極冷或極熱的溫度條件下時，有效電量可能會變短。
- 電池屬於消耗品，隨著時間的推移，有效電量將會變短。

版權

版權 © 2015 Samsung Electronics

本手冊受國際版權法保護。

未經 Samsung Electronics 事先書面許可，不得以任何形式或方式 (電子或機械) 複製、分發、轉譯或傳播本手冊中的任何內容，包括影印、錄製或存儲在任何儲存裝置和檢索系統中。

商標

- SAMSUNG 和 SAMSUNG 標誌是 Samsung Electronics 的註冊商標。
- Bluetooth® 是 Bluetooth SIG, Inc. 在全球的註冊商標。
- 其他所有商標和版權的所有權歸各自擁有人擁有。

使用前注意事項

使用裝置之前，請先閱讀本手冊，以確保安全和妥善使用。

- 此處說明乃根據裝置之原廠設定。
- 影像可能與實際產品的外觀不同。內容如有變更，恕不另行通知。

說明圖示



警告：可能造成使用者或他人傷害之情況



注意：可能造成本裝置或其他設備損壞之情況



註：註解、使用訣竅或補充資訊

開始使用

關於 Level Link

Level Link 支援接收模式及傳送模式。在接收模式中，可以將耳機連接至 Level Link 作為藍牙裝置之藍牙耳機使用，如智慧型手機或平板電腦上。在傳送模式中，可以將本裝置作為伺服器鑰，連接至電腦、電視、藍牙耳機及其他裝置。

在接收模式中，可以使用以下功能：

- 啟動 S Voice
- 接聽或切斷通話
- 控制多媒體檔案

在傳送模式中，可以撥放連接之多媒體裝置之音訊。

包裝內容

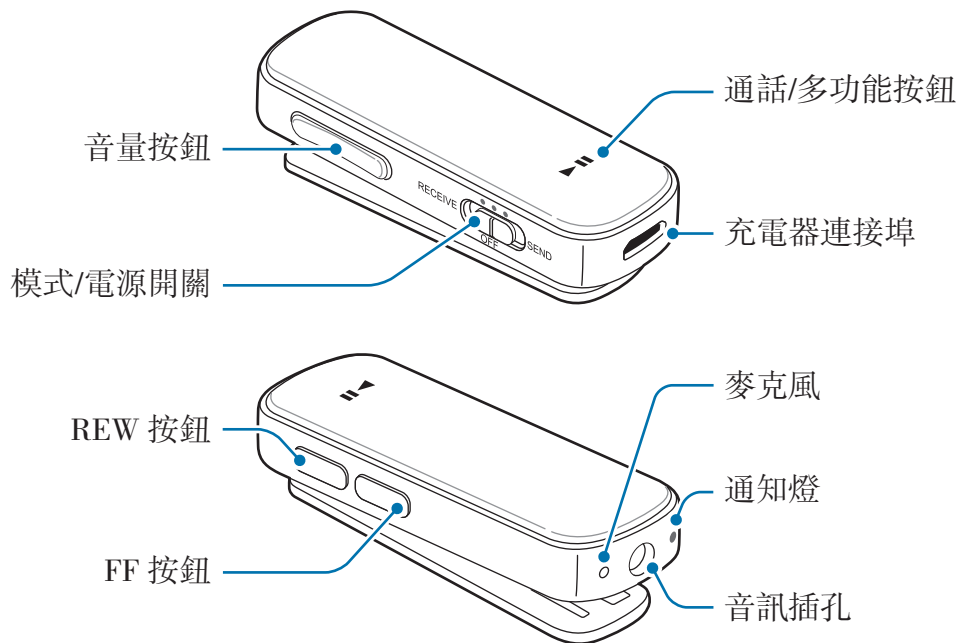
檢查產品包裝盒內是否有下列物品：

- 本裝置
- 耳機
- USB 線
- 音訊纜線
- 快速入門指南



- 視所在地區或服務供應業者而定，裝置的隨附項目和可用配件可能會有所差異。
- 所附之物件乃專為本裝置設計，可能與其他裝置不相容。
- 外觀及規格如有變更，恕不另行通知。
- 可以向您當地的三星零售商購買其他配件。購買前請先確定配件與裝置相容。
- 請僅使用三星核可的配件。使用未經核可的配件可能造成效能問及不在保固範圍內之故障。
- 所有配件之供貨完全視製造商之情況而定。若需更多關於配件購買之訊息，請參考三星網站。

裝置部位圖



按鈕及功能

名稱	功能
模式/電源開關	<ul style="list-style-type: none"> 滑至左側以啓動接收模式；滑至右側以啓動傳送模式。 滑至 OFF 以關閉裝置。
通話/多功能按鈕	<ul style="list-style-type: none"> 在接收模式中，按住 1 秒以開啓 S Voice。 在接收模式中，按下以接聽或切斷通話。 在接收模式中，按住以拒絕接聽。 在接收模式中，按住把來電從 Level Link 轉接至其他裝置，或把來電轉進來。 在接收模式中，按下以開始或停止撥放多媒體檔案。 在接收模式或傳送模式中，按住 3 秒以進入藍牙配對模式。
音量按鈕	<ul style="list-style-type: none"> 在接收模式中，按下以調整通話音量。 在接收模式中，按下以調整多媒體檔案播放音量。
REW 按鈕 / FF 按鈕	<ul style="list-style-type: none"> 在接收模式中，按下以播放前一或後一多媒體檔案。 在接收模式中，按住以倒轉或快轉多媒體檔案之播放。

狀態指示燈

狀態	顏色
藍牙配對模式	<ul style="list-style-type: none"> 閃爍紅、綠、藍光
啟動模式	<ul style="list-style-type: none"> 閃爍藍光 3 次
關閉	<ul style="list-style-type: none"> 閃爍紅光 3 次
來電	<ul style="list-style-type: none"> 閃爍藍光

給電池充電

第一次使用 Level Link 前或長時間未使用 Level Link 後，請先為電池充電。

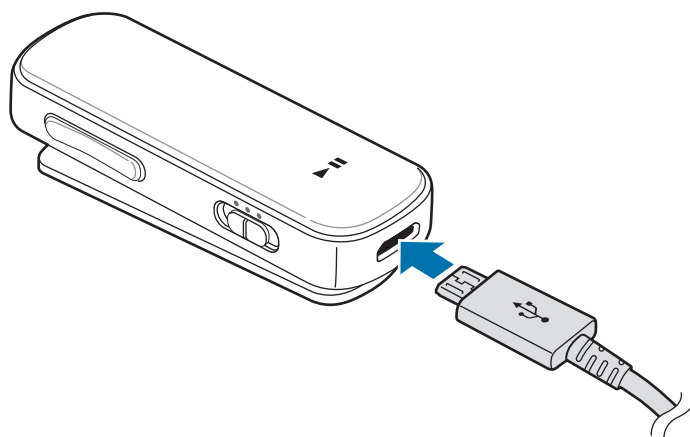


僅用三星核可的充電器、電池和傳輸線。未經核可的充電器或傳輸線，可能導致電池爆炸或耳機毀損。



若電池已完全放電，接上充電器後無法立刻開啓耳機。等待電池充電數分鐘後再開啓耳機。

透過 USB 傳輸線將裝置連接至電腦或 USB 電源轉接器。



未正確連接充電器可能造成裝置嚴重損壞。不當使用造成之損壞不在保固範圍。



- 充電時可同時使用裝置，但可能延長充飽所需時間。
- 充電時，裝置可能升溫。此為正常現象，不影響裝置之壽命或效能。若電池達到異常高溫，充電器可能停止充電。
- 若裝置未正常充電，請將裝置及充電器攜至三星服務中心。

完全充電後，從裝置斷開充電器的連接。先從裝置拔下充電器，然後從電源插座拔下插頭。



爲了節約能源，當不使用時請拔下充電器插頭。充電器本身沒有電源開關，所以在不用時必須從插座上拔下充電器的插頭以免浪費電。在充電時應保持充電器與電源插座緊密連接且易於插拔。

檢查電池電量

同時按住提高音量鈕和多功能鈕 1 秒。通知燈依充電狀態以不同顏色閃爍三次。

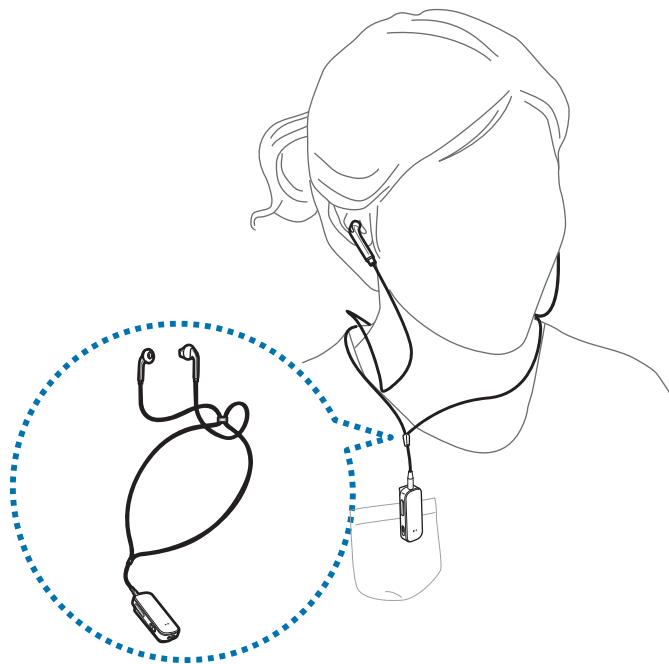
狀態	顏色
少於 30%	• 紅色
30–60%	• 黃色
超過 60%	• 綠色


配戴裝置及耳機

將所附之耳機連接至 Level Link 並戴在脖子上。


- 1 將耳機插入 Level Link 之音訊插孔。
- 2 調整耳機夾，形成頭可以穿過的環。

- 3 把 Level Link 夾到衣服上。
- 4 把耳機戴在脖子上並插入耳塞式耳機。



 和有線耳機一起使用時請特別謹慎。若耳機纏繞脖子可能導致窒息。

開啟及關閉裝置

- ：啓用接收模式。
- ：啓用傳送模式。
- ：關閉裝置。

 在有無線裝置使用限制之場所請聽從專業人員之指示。

使用裝置

藍牙

關於藍牙

藍牙是一種使用 2.4 GHz 頻率近距離連接各種裝置的無線技術標準。它可以和其他藍牙裝置進行無線連線及交換資料，例如和行動裝置、電腦、印表機和其他家電。

藍牙使用須知

- 為避免和其他裝置連線時發生問題，兩裝置放置位置需接近。
- 確認您的裝置和其他的藍牙裝置位於藍牙連線距離範圍內 (10 m)。距離可能因裝置使用的環境而發生改變。
- 確認耳機和已連接裝置之間不存在障礙，包括人體、牆壁、角落或柵欄。
- 請勿觸碰已連接裝置的藍牙天線。
- 藍牙使用與部分工業、科學、醫學和低功率產品相同的頻率，在這些類型的產品附近進行連接時，可能會產生干擾。
- 某些裝置，尤其未經 Bluetooth SIG 測試或核可的裝置，可能與您的耳機不相容。
- 請勿將藍牙功能使用於非法目的 (例如，盜版文件的檔案或非法竊聽用於商業用途的通訊)。

連接至其他裝置



音質和與 Level Link 之間的使用範圍可能因個別的藍牙音訊裝置而異。

在接收模式中連接

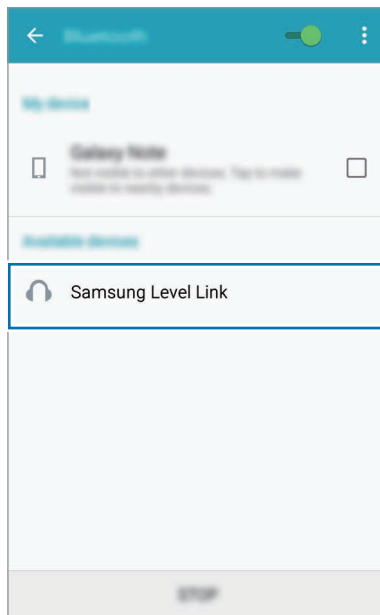
當 Level Link 連接到支援藍牙的裝置時，您可接聽來電或聽取音樂。首次開啓 Level Link 時，將進入藍牙配對模式。



- 第一次以藍牙進行 Level Link 和其他裝置之配對時，Level Link 將自動連接至已配對之裝置。若 Level Link 無法連線，則會進入藍牙配對模式。
- Level Link 可儲存最多八個裝置的裝置資訊。若 Level Link 曾連接至一個以上的裝置，則會連接最近一次配對的裝置。

- 1 **Level Link** 將模式開關滑至左側以啓動接收模式。
- 2 **Level Link** 長按多功能按鈕約 3 秒來進入藍牙配對模式。
- 3 **其他裝置** 啓動藍牙功能並搜尋藍牙裝置。
如需詳細資料，請參閱其他裝置之使用手冊。

4 **其他裝置** 點擊選單中的 **Samsung Level Link**。



5 **Level Link** 將耳機連接至 Level Link。

或將 Level Link 以音源線連接至音訊輸出裝置的輔助輸入插孔。



在此模式中，若以音源線將 Level Link 連接至電視或電腦的音訊輸出插孔，Level Link 可能損壞。

在傳送模式中連接

透過音訊纜線將裝置連接到多媒體播放器。您可以透過其他音訊裝置聽取多媒體檔案，例如藍牙耳機。首次開啓 Level Link 時，將進入藍牙配對模式。



- 第一次以藍牙進行 Level Link 和其他裝置之配對時，Level Link 將自動連接至已配對之裝置。若 Level Link 無法連線，則會進入藍牙配對模式。
- Level Link 可儲存最多八個裝置的裝置資訊。若 Level Link 曾連接至一個以上的裝置，則會連接最近一次配對的裝置。

1 **Level Link** 將模式開關滑至右側以啓動傳送模式。

2 **Level Link** 長按多功能按鈕約 3 秒來進入藍牙配對模式。

3 **Level Link** 將 Level Link 放在配對音訊裝置的 30 cm 距離內。

Level Link 及音訊裝置便透過藍牙完成連接。若無法連線，將音訊裝置關機重開。接著，重複上述步驟。

4 將音源線插入 Level Link 之音訊插孔。接著，將音源線另一端插入多媒體撥放器之音訊輸出插孔。



- 透過藍牙連接的方式可能會因所連接裝置而異。如需詳細資料，請參閱相連裝置的使用手冊。
- 若 Level Link 在傳送模式連接至電視，可能產生語音同步問題。建議將 Level Link 連接至支援 aptX 低延遲解碼器的電視。
- 和多媒體播放器一起使用 Level Link 時，先降低多媒體播放器之音量再拔除音源線，以防產生突然之大聲響。
- 依所連接的多媒體播放氣音量不同，可能會產生音量下降或雜音。為避免此情形，請在多媒體播放器的音量做適當調整。

連接其他裝置

在接收模式或傳送模式中，Level Link 最多可藉由藍牙連接兩個裝置。

- 1 在接收模式或傳送模式中，將 Level Link 連接至第一個裝置。
- 2 將 Level Link 藉由藍牙以第一個裝置連接所使用的方法連接到第二個裝置。



- 在接收模式中，若 Level Link 未出現在偵測到的裝置清單中，按住多功能鈕約 3 秒以進入藍牙配對模式。
- 在傳送模式中，Level Link 可在連接到音訊裝置時支援 aptX 低延遲編碼器。若兩部音訊裝置同時連接到 Level Link，將不支援 aptX 編碼器，且影像與音訊輸出可能無法同步。
- 在傳送模式中，Level Link 和其他裝置之間的使用範圍可能縮短。

重新連接或中斷其他裝置連接

重新連接裝置

當 Level Link 因為裝置間距離而和音訊裝置中斷連結時，縮短裝置間的距離，再按下多功能鈕，再次配對裝置。或者，可以使用音訊裝置上的藍牙選單來配對裝置。

中斷連接裝置

需要中斷 Level Link 和音訊裝置的連結時，關閉您的裝置或停用裝置的配對。若兩個裝置是以音源線連接，則將線纜從兩個裝置上拔除。

使用接收及傳送模式

在接收模式中，可以啟動 S Voice、接聽來電或播放多媒體檔案。在此模式中，請搭配耳機使用 Level Link 或將 Level Link 以音源線連接至音訊裝置。

在傳送模式中，可藉由連接的音訊裝置收聽多媒體播放器之音訊。



- 可用的功能可能依所連接的裝置而有不同。若 Level Link 同時連接至兩個裝置，可能無法使用所有功能。
- 有些功能僅在 Level Link 以免持協定 (HFP) 連接至裝置時可以使用。
- 依配戴 Level Link 的方式，麥克風的位置會有不同。Level Link 的位置可能影響通話時的音質。

啟動 S Voice

按住多功能鈕 1 秒。若所連接的裝置支援 S Voice，則可以藉由 Level Link 使用該應用程式。

接聽及拒接來電

接聽電話

按下通話按鈕以接聽撥打至所連接裝置的電話。

拒接電話

按住通話按鈕以拒接撥打至所連接裝置的電話。

通話中之選項

調整音量

在通話中，按下音量按鈕以調整音量。

切換聲音輸出

按住通話按鈕以把來電從 Level Link 轉接至所連接之裝置。本功能在某些連接裝置上可能無法使用。

結束通話

按下通話按鈕以結束通話。

播放多媒體檔案

在接收或傳送模式中播放多媒體檔案。可用的功能可能依所使用的模式而有不同。

播放或中止多媒體檔案

按下多媒體按鈕以播放連接裝置上最接近的多媒體檔案。

按下多功能鈕以暫停播放。要繼續播放時，再次按下多功能鈕。

跳至前一個或下一個多媒體檔案

按下 REW 按鈕或 FF 按鈕以在播放時跳至前一個或下一個檔案。

倒轉或快轉多媒體檔案

按住 REW 按鈕或 FF 按鈕以在播放時倒轉或快轉檔案。

調整音量

按下音量按鈕以調整音量。



- 當 Level Link 連接至兩個裝置時，可以播放任一裝置上的多媒體檔案。要從不同的裝置播放多媒體檔案時，請先暫停另一裝置上的播放。
- 從一個裝置上播放多媒體檔案時，仍可以接聽另一個裝置上的來電。
- 若音源線和傳送狀態之連接裝置的輸出功率有差異，則 Level Link 上的音量可能有變化。

進行資料重設

當 Level Link 以藍牙連接至裝置時，Level Link 的資訊，如藍牙位址及裝置類型，儲存於連接之裝置上。要刪除 Level Link 的連接資訊時，長按多功能按鈕約 3 秒來進入藍牙配對模式。接著同時按住 REW、FF 和多功能鈕 3 秒。

疑難排解

在聯繫三星服務中心前，請先嘗試以下的解決方法。部分解決方法可能不適用於您的裝置。

裝置無法開啟

若電池已完全放電，則裝置將無法開啟。在啟動裝置前先將電池充飽。

電池無法正常充電 (使用三星核可之充電器)

- 確認充電器正確連接。
- 至三星服務中心更換電池。

另一個藍牙裝置找不到您的裝置

- 確認您的裝置在藍牙配對模式。
- 將裝置重設並搜尋藍牙裝置。
- 確認您的裝置和其他的藍牙裝置位於藍牙連線距離範圍內 (10 m)。

若以上之作法無法解決問題，請聯繫三星服務中心。

找不到另一個藍牙裝置

- 請確認裝置欲連接的目標支援藍牙無線功能。
- 確認您的裝置和其他的藍牙裝置位於最大的藍牙距離範圍內 (10 m)。

藍牙連線時常中斷

- 如果裝置間存在障礙物，有效距離可能會縮短。
- 確認您的裝置和其他的藍牙裝置位於最大的藍牙距離範圍內 (10 m)。
- 本裝置和其他藍牙裝置一起使用時，連線可能受電磁波影響。請在無線裝置數量較少的場所使用本裝置。

無法聽到對方說話

- 調整裝置音量。
- 若在使用裝置上的最大音量時仍然無法聽到聲音，請調整所連接裝置的音量。

通話中有回音

按下音量按鈕調整音量，或移動至其他場所。

通話時對方無法聽到自己說話

- 確認內建麥克風未被遮蓋。
- 確認麥克風接近嘴巴。

音質太差

- 無線網路服務可能因服務業者的網路問題而停用。讓裝置遠離電磁波。
- 確認您的裝置和其他的藍牙裝置位於最大的藍牙距離範圍內 (10 m)。

裝置之運作和使用說明不符

- 可用的功能會因所連接的裝置而有不同。
- 本裝置同時連接兩個裝置時，有些功能無法使用。

電池電力耗盡速度比購買時快

- 若讓裝置處於低溫或高溫的環境，可用電力可能會降低。
- 電池為消耗品，而可用電力將隨時間降低。

注意事項

本產品符合低功率電波輻射性電機管理辦法第十二條、第十四條等條文規定：

- 經型式認證合格之低功率射頻電機，非經許可，公司、商號或使用者均不得擅自變更頻率、加大功率或變更原設計之特性及功能。
- 低功率射頻電機之使用不得影響飛航安全及干擾合法通信；經發現有干擾現象時，應立即停用，並改善至無干擾時方得繼續使用。

前項合法通信，指依電信法規定作業之無線電通信。

低功率射頻電機須忍受合法通信或工業、科學及醫療用電波輻射性電機設備之干擾。

本機限在不干擾合法電臺與不受被干擾保障條件下於室內使用。

版權

Copyright © 2015 Samsung Electronics

本手冊受國際版權法保護。

未經 Samsung Electronics 事先書面許可，不得以任何形式或方式 (電子或機械) 複製、分發、轉譯或傳播本手冊中的任何內容，包括影印、錄製或儲存在任何儲存裝置和檢索系統中。

商標

- SAMSUNG 和 SAMSUNG 標誌是 Samsung Electronics 的註冊商標。
- Bluetooth® 是 Bluetooth SIG, Inc. 的全球註冊商標。
- 其他所有商標和版權的所有權歸各自所有人所有。

À lire en premier

Veillez lire le présent guide avant d'utiliser l'appareil afin de vous assurer d'en faire une utilisation sécuritaire et adéquate.

- Les descriptions présentées dans ce guide sont basées sur les paramètres par défaut de votre appareil.
- Il peut y avoir des différences entre le produit réel et les images présentées. Le contenu peut faire l'objet de modifications sans préavis.

Liste des icônes



Avertissement : situations où il y a risque de blessure pour vous ou pour les autres.



Attention : situations pouvant endommager votre appareil ou tout autre équipement.



Nota : remarques, astuces ou toute autre information complémentaire.

Premiers pas

À propos de Level Link

Le Level Link prend en charge les modes de réception et d'envoi. En mode de réception, vous pouvez connecter des écouteurs à votre Level Link et l'utiliser comme casque d'écoute Bluetooth avec des appareils Bluetooth comme les téléphones intelligents ou tablettes. En mode d'envoi, vous pouvez utiliser l'appareil comme clé électronique pour le relier aux ordinateurs, aux téléviseurs, aux casques d'écoute Bluetooth et plus encore.

En mode de réception, vous pouvez utiliser les fonctionnalités suivantes :

- Lancement de S Voice
- Réception d'appels ou annulation des appels
- Contrôle des fichiers multimédias

En mode d'envoi, vous pouvez lire les sons enregistrés sur l'appareil multimédia connecté.

Contenu de la boîte

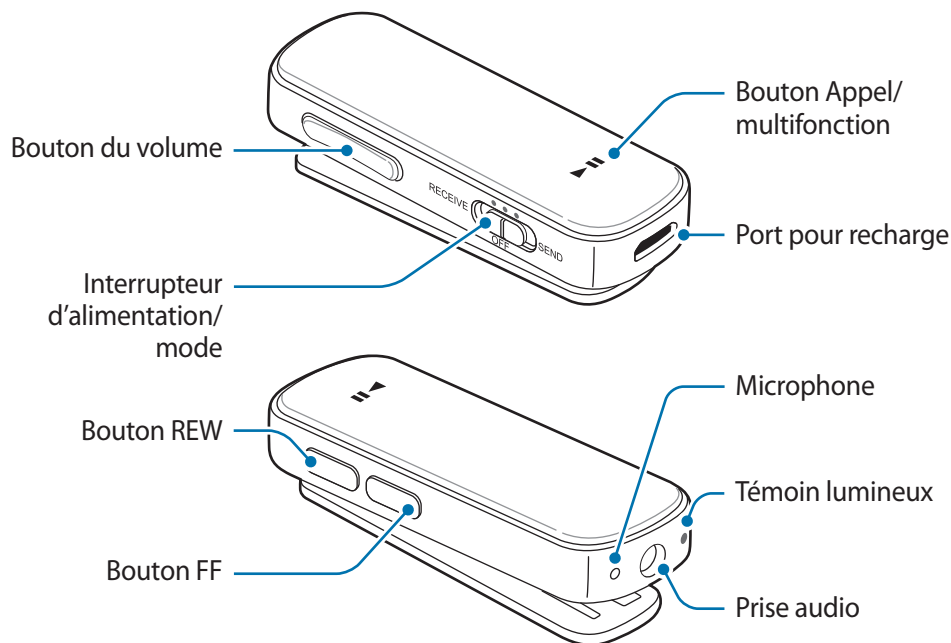
Veillez vous assurer d'avoir les accessoires suivants avant d'utiliser l'appareil :

- Appareil
- Écouteurs
- Câble USB
- Câble audio
- Guide de démarrage rapide



- Les articles fournis avec l'appareil et les accessoires disponibles peuvent varier selon votre région ou votre fournisseur de services.
- Les éléments fournis sont conçus uniquement pour cet appareil et pourraient ne pas être compatibles avec d'autres appareils.
- L'apparence et les caractéristiques techniques peuvent changer sans préavis.
- Vous pouvez acheter des accessoires supplémentaires auprès de votre détaillant Samsung local. Assurez-vous qu'ils sont compatibles avec l'appareil avant de les acheter.
- N'utilisez que des accessoires homologués par Samsung. L'utilisation d'accessoires non homologués peut entraîner des problèmes de performance et de mauvais fonctionnements qui ne seront pas couverts par la garantie.
- La disponibilité de tous les accessoires peut varier puisqu'elle dépend entièrement des entreprises qui les fabriquent. Pour en savoir davantage sur les accessoires offerts, visitez le site Web de Samsung.

Présentation de l'appareil



Boutons et fonctions

Nom	Fonction
Interrupteur d'alimentation/ mode	<ul style="list-style-type: none"> • Glissez-le vers la gauche pour activer le mode de réception et vers la droite pour activer le mode d'envoi. • Glissez-le à OFF pour éteindre l'appareil.
Bouton Appel/ multifonction	<ul style="list-style-type: none"> • En mode de réception, maintenez la touche enfoncée pendant 1 seconde pour lancer S Voice. • En mode de réception, appuyez sur cette touche pour répondre à un appel ou y mettre fin. • En mode de réception, maintenez cette touche enfoncée pour refuser un appel. • En mode de réception, maintenez cette touche enfoncée pour transférer des appels du Level Link à votre autre appareil ou vice-versa. • En mode de réception, appuyez sur cette touche pour lire des fichiers multimédias ou en arrêter la lecture. • En mode de réception ou d'envoi, maintenez la touche enfoncée pendant 3 secondes pour entrer en mode de jumelage Bluetooth.
Bouton du volume	<ul style="list-style-type: none"> • En mode de réception, appuyez sur cette touche pour régler le volume pendant un appel. • En mode de réception, appuyez sur cette touche pour régler le volume pendant la lecture de fichiers multimédias.
Boutons REW / FF	<ul style="list-style-type: none"> • En mode de réception, appuyez pour lire le fichier multimédia suivant ou précédent pendant la lecture. • En mode de réception, maintenez la touche enfoncée pour avancer dans un fichier multimédia ou reculer dans celui-ci pendant la lecture.

Indicateur d'état

État	Couleur
Mode de jumelage Bluetooth	<ul style="list-style-type: none"> • Clignote en rouge, vert et bleu
Allumage ou active un mode	<ul style="list-style-type: none"> • Clignote en bleu à 3 reprises
Hors fonction	<ul style="list-style-type: none"> • Clignote en rouge à 3 reprises
Appel entrant	<ul style="list-style-type: none"> • Clignote en bleu

Chargement de la pile

Chargez la batterie avant d'utiliser le Level Link la première fois ou lorsqu'il n'a pas été utilisé pendant une longue période.

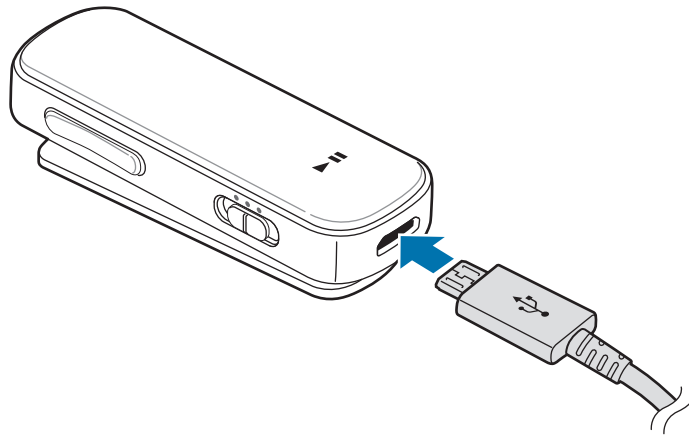


N'utilisez que des batteries, chargeurs et câbles approuvés par Samsung. L'utilisation de chargeurs ou de câbles non homologués peut causer l'éclatement de la batterie ou endommager le casque.



Une fois la batterie entièrement déchargée, le casque ne pourra s'allumer instantanément après le branchement du connecteur. Laissez une batterie vide se charger pendant quelques minutes avant d'allumer le casque.

Utilisez le câble USB pour raccorder l'appareil à l'ordinateur ou à l'adaptateur USB.



Un branchement inadéquat du câble chargeur peut endommager gravement l'appareil. Tout dommage résultant d'une mauvaise utilisation n'est pas couvert par la garantie.



- L'appareil peut être utilisé pendant la charge, mais cela augmentera le temps requis pour le charger.
- L'appareil peut chauffer pendant la charge. Cela est normal et n'aura aucune incidence sur la durée de vie ou la performance globale de l'appareil. Si la batterie devient plus chaude qu'à la normale, il est possible que le chargeur arrête de charger.
- Si l'appareil ne charge pas de façon appropriée, apportez l'appareil et le chargeur dans un centre de service de Samsung.

Lorsque le chargement est terminé, débranchez l'appareil du chargeur. Débranchez d'abord le chargeur de l'appareil, puis débranchez-le la prise de courant.



Pour économiser l'énergie, débranchez le chargeur quand vous ne l'utilisez pas. Puisque le chargeur ne comprend aucun interrupteur d'alimentation, vous devez le débrancher de la prise électrique pour éviter tout gaspillage d'électricité. Pendant le chargement, le chargeur doit rester à proximité de la prise électrique et être facile d'accès.

Vérification du niveau de charge de la batterie

Maintenez les boutons pour augmenter le volume et le bouton Multifonction enfoncés simultanément pendant 1 seconde. Le témoin lumineux clignote à trois reprises. Sa couleur indique son état de charge.

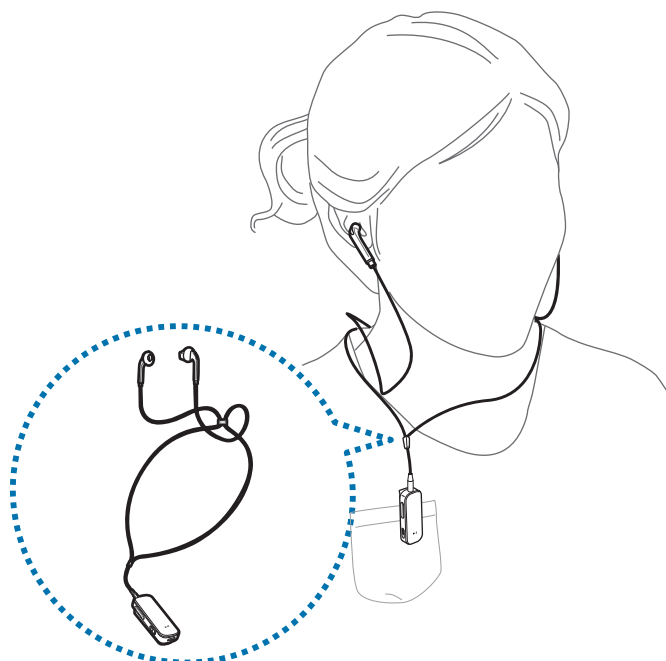
État	Couleur
Moins de 30%	• Rouge
30 à 60%	• Jaune
Plus de 60%	• Vert


Utilisation de l'appareil et des écouteurs

Connectez les écouteurs fournis au Level Link avant de le mettre dans votre cou.


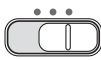

- 1 Branchez les écouteurs dans la prise audio du Level Link.
- 2 Ajustez l'attache des écouteurs afin qu'elle forme une boucle suffisamment grande pour que vous puissiez y glisser votre tête.


- 3 Fixez le Level Link sur vos vêtements.
- 4 Portez les écouteurs autour du cou, avant d'y insérer les embouts.



 Soyez prudent lorsque vous utilisez des écouteurs avec fil avec cet appareil. Vous pourriez vous étrangler si les écouteurs s'enroulaient autour de votre cou.

Mise en fonction et hors fonction de l'appareil

-  : pour activer le mode de réception.
-  : pour activer le mode d'envoi.
-  : pour éteindre l'appareil.

 Respectez toutes les consignes de sécurité et directives formulées par le personnel compétent dans les lieux où l'utilisation d'appareils mobiles est interdite, comme par exemple dans les avions et les hôpitaux.

Utiliser l'appareil

Bluetooth

À propos de Bluetooth

Bluetooth est une norme sans fil qui permet à différents appareils d'utiliser une fréquence de 2,4 GHz pour se connecter sur une courte distance. Elle permet aux appareils sur lesquels Bluetooth est activé, comme des appareils mobiles, des ordinateurs, des imprimantes et d'autres appareils numériques domestiques, de se connecter et d'échanger des données avec d'autres appareils sans devoir utiliser de connexions filaires.

Avis pour l'utilisation de Bluetooth

- Pour éviter tout problème lorsque vous connectez deux appareils, assurez-vous de mettre les appareils près l'un de l'autre.
- Assurez-vous que votre appareil et l'autre appareil Bluetooth sont dans la portée de connexion Bluetooth (10 m). La portée peut varier en fonction de l'environnement dans lequel les appareils sont utilisés.
- Assurez-vous qu'il n'y ait aucun obstacle, y compris des humains, des murs, des coins ou des clôtures, entre votre casque d'écoute et l'appareil connecté.
- Ne touchez pas l'antenne Bluetooth de l'appareil connecté.
- Bluetooth utilise la même fréquence que certains produits industriels, scientifiques, médicaux et à faible consommation d'énergie. De l'interférence peut donc se produire lorsque vous établissez des connexions près de ces types de produits.
- Certains appareils, surtout ceux qui ne sont pas testés ou approuvés par Bluetooth SIG, pourraient être incompatibles avec votre casque d'écoute.
- N'utilisez pas la fonction Bluetooth à des fins illégales (par exemple, en piratant des données ou en interceptant des communications à des fins commerciales).

Connexion à d'autres appareils



La qualité du son et la durée d'utilisation entre le Level Link et les appareils audio connectés peuvent varier selon les appareils audio Bluetooth.

Se connecter en mode de réception

Vous pouvez recevoir des appels entrants ou écouter de la musique lorsque votre Level Link est connecté à des appareils Bluetooth. Lorsque vous allumez Level Link la première fois, il entre en mode de jumelage Bluetooth.

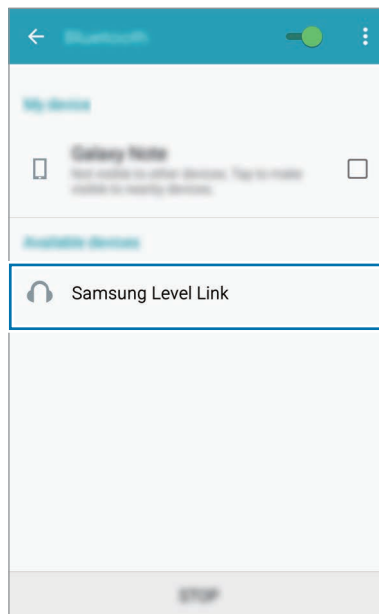


- La première fois que vous jumelez le Level Link à d'autres appareils Bluetooth, il se connecte automatiquement aux appareils jumelés. Si le Level Link ne peut se connecter, il entrera en mode de jumelage Bluetooth.
- Le Level Link peut stocker de l'information sur un maximum de huit appareils. Si le Level Link a été connecté à plus d'un appareil, il se connectera à celui avec lequel il a été jumelé le plus récemment.

- 1 Level Link** Glissez l'interrupteur Mode vers la gauche pour activer le mode de réception.
- 2 Level Link** Maintenez le bouton Multifonction enfoncé pendant environ 3 secondes pour entrer en mode de jumelage Bluetooth.
- 3 Autre appareil** Activez la fonctionnalité Bluetooth et lancez la recherche pour trouver des appareils Bluetooth.

Pour obtenir plus de détails à cet égard, reportez-vous au guide d'utilisation de l'autre appareil.

4 **Autre appareil** Dans la liste, appuyez sur **Samsung Level Link**.



5 **Level Link** Connectez les écouteurs au Level Link.

Ou utilisez un câble audio pour connecter le Level Link à la prise audio auxiliaire d'un appareil avec prise de sortie audio.



Dans ce mode, utiliser un câble audio pour connecter le Level Link à un téléviseur ou à la prise de sortie audio d'un ordinateur pourrait endommager votre Level Link.

Se connecter en mode d'envoi

Utilisez le câble audio pour connecter votre appareil à un lecteur multimédia. Vous pouvez utiliser un autre appareil audio, comme un casque d'écoute Bluetooth, pour écouter des fichiers multimédias. Lorsque vous allumez Level Link la première fois, il entre en mode de jumelage Bluetooth.



- La première fois que vous jumelez le Level Link à d'autres appareils Bluetooth, il se connecte automatiquement aux appareils jumelés. Si le Level Link ne peut se connecter, il entrera en mode de jumelage Bluetooth.
- Le Level Link peut stocker de l'information sur un maximum de huit appareils. Si le Level Link a été connecté à plus d'un appareil, il se connectera à celui avec lequel il a été jumelé le plus récemment.

- 1 **Level Link** Glissez l'interrupteur Mode vers la droite pour activer le mode d'envoi.
- 2 **Level Link** Maintenez le bouton Multifonction enfoncé pendant environ 3 secondes pour entrer en mode de jumelage Bluetooth.
- 3 **Level Link** Assurez-vous que votre Level Link se trouve à moins de 30 cm de l'appareil audio avec lequel il est jumelé.

Le Level Link et l'appareil audio sont maintenant connectés par Bluetooth. Si la connexion ne peut être établie, éteignez l'appareil audio avant de le rallumer. Répétez ensuite les étapes indiquées ci-dessus.

- 4 Branchez le câble audio dans la prise audio du Level Link. Branchez ensuite l'autre extrémité du câble audio dans la prise de sortie audio du lecteur multimédia.



- La méthode de connexion par Bluetooth peut varier selon les appareils connectés. Pour obtenir plus d'information, consultez le guide d'utilisation de l'appareil connecté.
- Lorsque le Level Link est connecté à un téléviseur en mode d'envoi, des problèmes de synchronisation peuvent se produire. L'on recommande de connecter le Level Link à un téléviseur qui accepte le codec aptX faible latence.
- Lorsque le Level Link est utilisé avec un lecteur multimédia, baissez le volume du lecteur multimédia avant de débrancher le câble audio pour empêcher l'émission soudaine de sons forts.
- Vous pourriez subir des baisses de volume ou de bruit, selon le volume du lecteur multimédia branché. Pour éviter cela, réglez le son du lecteur multimédia de façon appropriée.

Se connecter à des appareils supplémentaires

En mode de réception ou d'envoi, votre Level Link peut se connecter à un maximum de deux appareils par Bluetooth.

- 1 En mode de réception ou d'envoi, connectez votre Level Link au premier appareil.
- 2 Pour connecter le Level Link à un deuxième appareil par Bluetooth, utilisez la même méthode de connexion que pour le premier appareil.



- En mode de réception, si le Level Link n'apparaît pas dans la liste des appareils détectés, maintenez le bouton Multifonction enfoncé pendant environ 3 secondes pour entrer en mode de jumelage Bluetooth.
- Le Level Link ne prend pas en charge le codec APT-X faible latence. Si vous connectez simultanément le Level Link à deux appareils audio en mode d'envoi, cela pourrait engendrer des problèmes de synchronisation. Les images qui s'affichent sur le téléviseur ou l'ordinateur pourraient ne pas correspondre au son provenant de l'appareil audio connecté.
- En mode d'envoi, la plage d'utilisation entre le Level Link et les autres appareils peut être réduite.

Reconnecter à d'autres appareils ou s'en déconnecter

Reconnexion des appareils

Lorsque votre Level Link est déconnecté d'un appareil audio en raison de la distance entre les appareils, rapprochez les appareils, puis appuyez sur le bouton Multifonction pour les jumeler de nouveau. Vous pouvez également utiliser le menu Bluetooth de l'appareil audio pour jumeler les appareils.

Déconnexion des appareils

Pour déconnecter le Level Link de l'appareil audio, éteignez votre appareil ou annulez le jumelage des appareils. Si vous avez utilisé un câble audio pour connecter les deux appareils, débranchez simplement le câble des deux appareils.

Utilisation des modes de réception et d'envoi

En mode de réception, vous pouvez lancer S Voice, répondre aux appels entrants ou lire des fichiers multimédias. Dans ce mode, utilisez votre Level Link avec des écouteurs ou utilisez un câble audio pour le connecter à un appareil audio.

En mode d'envoi, vous pouvez écouter les fichiers audio sur un lecteur multimédia par l'entremise de l'appareil audio connecté.



- Les fonctionnalités disponibles peuvent varier en fonction de l'appareil auquel vous vous connectez. Certaines fonctionnalités pourraient ne pas être disponibles si le Level Link est connecté simultanément à deux appareils.
- Certaines fonctionnalités ne sont disponibles que lorsque le Level Link se connecte à un appareil par l'entremise du profil mains-libres (HFP).
- L'emplacement du microphone varie selon la façon dont le Level Link est porté. La position du Level Link peut affecter la qualité du son pendant les appels.

Lancement de S Voice

Appuyez sur le bouton Multifonction pendant 1 seconde. Si l'appareil connecté prend S Voice en charge, vous pourrez utiliser l'appli par l'entremise du Level Link.

Répondre à un appel entrant et refuser un appel entrant

Prise d'un appel

Appuyez sur le bouton Appel pour répondre aux appels reçus par l'appareil connecté.

Rejet d'un appel

Maintenez le bouton Appel enfoncé pour refuser les appels reçus par l'appareil connecté.

Utilisation des options pendant un appel

Réglage du volume

En appel, appuyez sur le bouton du volume pour régler le volume.

Changement de sortie sonore

Maintenez le bouton Appel enfoncé pour renvoyer les appels du Level Link à l'appareil connecté. Cette fonctionnalité pourrait ne pas être disponible selon l'appareil connecté.

Fin d'un appel

Appuyez sur le bouton Appel pour mettre fin à un appel.

Lecture de fichiers multimédias

Vous pouvez lire les fichiers multimédias en mode de réception ou d'envoi. Les fonctionnalités disponibles peuvent cependant varier selon le mode utilisé.

Lecture d'un fichier multimédia et arrêt de la lecture

Appuyez sur le bouton Multifonction pour lire le plus récent fichier multimédia stocké sur l'appareil connecté.

Appuyez sur le bouton Multifonction pour mettre la lecture en pause. Pour reprendre la lecture, appuyez de nouveau sur le bouton Multifonction.

Passer au prochain fichier multimédia ou au fichier précédent

Pendant la lecture, appuyez sur le bouton REW pour retourner au fichier précédent ou sur FF pour passer au prochain fichier.

Rembobinage ou avance rapide du fichier multimédia

Pendant la lecture, maintenez le bouton REW pour reculer dans le fichier ou maintenez FF enfoncé avancer rapidement dans celui-ci.

Réglage du volume

Appuyez sur le bouton du volume pour régler le volume.



- Lorsque le Level Link est connecté à deux appareils, vous pouvez lire des fichiers multimédias stockés sur l'un ou l'autre des appareils. Pour lire un fichier multimédia stocké sur un autre appareil, commencez par mettre la lecture en pause sur le premier appareil.
- Même si la lecture d'un fichier multimédia est activée sur un appareil, vous pouvez tout de même répondre aux appels reçus par l'autre appareil.
- S'il y a une différence entre la puissance de sortie du câble audio et de l'appareil audio connecté en mode d'envoi, le volume du son du Level Link pourra alors varier.

Réinitialisation des données

Lorsque votre Level Link est connecté à un appareil par Bluetooth, les données du Level Link, comme l'adresse Bluetooth et le type d'adresse, sont stockées sur l'appareil connecté. Pour supprimer l'information de connexion du Level Link, maintenez le bouton Multifonction enfoncé pendant environ 3 secondes pour entrer en mode de jumelage Bluetooth. Appuyez ensuite simultanément sur les boutons REW, FF et Multifonction pendant 3 secondes.

Dépannage

Avant de communiquer avec un centre de service Samsung, veuillez essayer les solutions suivantes. Certaines situations peuvent ne pas s'appliquer à votre appareil.

L'appareil ne s'allume pas

Si la pile est complètement déchargée, votre appareil ne pourra pas s'allumer. Rechargez complètement la pile avant d'allumer l'appareil.

La batterie ne se charge pas correctement (avec un chargeur homologué par Samsung)

- Assurez-vous que le chargeur est connecté correctement.
- Rendez-vous à un centre de service Samsung pour faire remplacer votre pile.

Impossible, pour un autre appareil Bluetooth, de trouver votre appareil

- Assurez-vous que votre appareil est en mode de jumelage Bluetooth.
- Réinitialisez l'appareil avant de lancer une recherche d'appareils Bluetooth.
- Assurez-vous que votre appareil et l'autre appareil Bluetooth sont dans la portée de connexion Bluetooth (10 m).

Si les directives ci-dessus ne permettent pas de régler le problème, communiquez avec un centre de service Samsung.

Un autre périphérique Bluetooth ne peut être trouvé

- Assurez-vous que l'appareil avec lequel vous voulez vous connecter prend en charge la fonctionnalité Bluetooth sans fil.
- Les deux appareils doivent se trouver à un maximum de 10 mètres l'un de l'autre (la portée maximale d'une liaison Bluetooth).

La connexion Bluetooth se déconnecte souvent

- La présence d'obstacles entre les appareils peut réduire la distance de fonctionnement.
- Les deux appareils doivent se trouver à un maximum de 10 mètres l'un de l'autre (la portée maximale d'une liaison Bluetooth).
- Lorsque l'appareil est utilisé avec d'autres appareils Bluetooth, la connexion peut être affectée par les ondes électromagnétiques. Utilisez l'appareil dans des environnements dans lesquels un plus petit nombre d'appareils est présent.

Vous ne pouvez entendre les autres lorsqu'elles parlent

- Réglez le volume de l'appareil.
- Réglez le volume de l'appareil connecté lorsque vous ne pouvez plus entendre les sons de votre appareil à plein volume.

Le son résonne (écho) en appel

Réglez le volume en appuyant sur le bouton du volume ou déplacez-vous.

Les autres ne peuvent vous entendre lorsque vous parlez (en appel)

- Assurez-vous que rien n'entrave le microphone intégré de l'appareil.
- Assurez-vous que le microphone est près de votre bouche.

Mauvaise qualité audio

- Les services des réseaux sans-fil peuvent être désactivés en raison de problèmes avec le fournisseur de services. Assurez-vous de garder l'appareil loin de toutes sources émettrices d'ondes électromagnétiques.
- Les deux appareils doivent se trouver à un maximum de 10 mètres l'un de l'autre (la portée maximale d'une liaison Bluetooth).

L'appareil fonctionne différemment de ce qui est indiqué dans le guide

- Les fonctions disponibles peuvent différer selon l'appareil auquel le Circle est connecté.
- Certaines fonctionnalités ne peuvent être utilisées lorsque deux appareils sont connectés simultanément à un autre appareil.

La pile se décharge plus rapidement qu'au moment de l'achat

- L'exposition de l'appareil ou de la pile à des températures très froides ou très chaudes peut entraîner une réduction de la durée de charge utile de la pile.
- La pile est un produit non durable. Sa durée de charge utile diminuera avec le temps.

Droits d'auteur

© Samsung Electronics, 2015.

Ce guide est protégé par les lois internationales sur le droit d'auteur.

Aucune partie de ce guide d'utilisation ne peut être reproduite, distribuée, traduite ou transmise sous toute forme ou de quelque façon que ce soit, par voie électronique ou mécanique, incluant la photocopie, l'enregistrement ou le stockage dans tout système d'archivage et d'extraction, sans l'autorisation écrite de Samsung Electronics.

Marques de commerce

- SAMSUNG et le logo SAMSUNG sont des marques de commerce déposées de Samsung Electronics.
- Bluetooth® est une marque de commerce déposée de Bluetooth SIG, Inc. partout dans le monde.
- Toutes les autres marques de commerce et tous les autres droits d'auteur sont la propriété de leurs propriétaires respectifs.

Leia-me primeiro

Leia este manual antes de usar o dispositivo para garantir o uso adequado e seguro.

- As descrições foram baseadas nas configurações padrões do dispositivo.
- As imagens podem ser diferentes da aparência real do produto. O conteúdo está sujeito a alterações sem qualquer aviso prévio.

Ícones de instrução



Atenção: situações que podem causar ferimentos em si ou em outras pessoas.



Cuidado: situações que podem danificar o seu dispositivo ou outro equipamento.



Nota: notas, conselhos de uso ou informação adicional.

Começar

Sobre o Level Link

O Level Link suporta o modo de recepção e o modo de envio. No modo de recepção, você pode conectar fones de ouvido ao Level Link e usá-los como fones Bluetooth para dispositivos com capacidade Bluetooth, tal como smartphones ou tablets. No modo de envio, você pode usar o dispositivo como um dongle que conecta computadores, TVs, fones de ouvido Bluetooth e mais.

No modo de recepção, você pode usar as funcionalidades a seguir:

- Iniciar o S Voice
- Atender ou encerrar chamadas
- Controlar arquivos de multimídia

No modo de envio, você pode reproduzir som no dispositivo multimídia conectado.

Conteúdo da embalagem

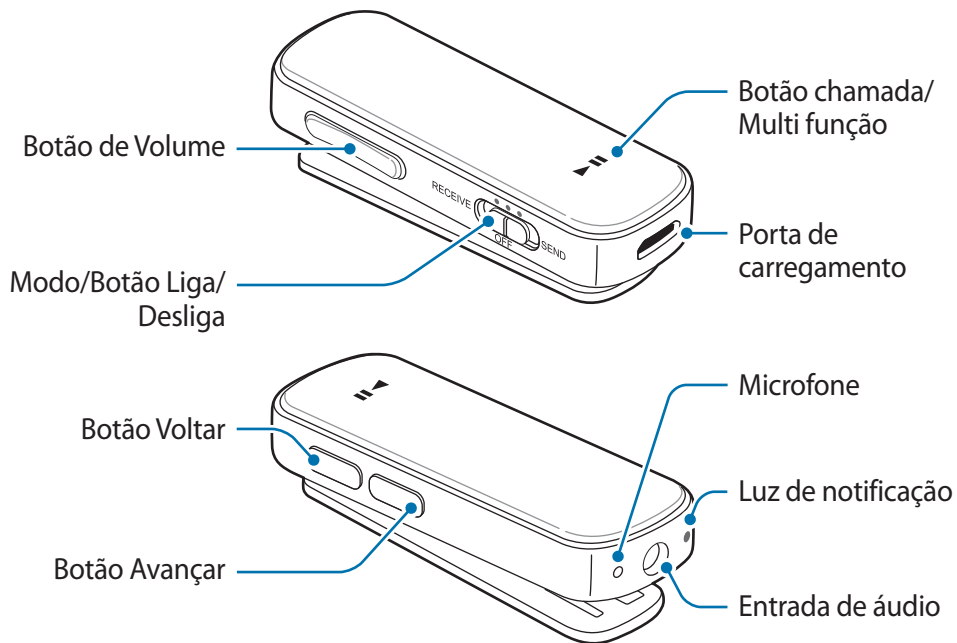
Verifique se na caixa do produto se encontram os itens a seguir:

- Dispositivo
- Fones de ouvido
- Cabo USB
- Cabo de áudio
- Guia rápido



- Os itens fornecidos com o dispositivo e todos os acessórios disponíveis podem variar dependendo da região ou operadora.
- Os itens fornecidos são concebidos apenas para este dispositivo e podem não ser compatíveis com outros dispositivos.
- A aparência e as especificações estão sujeitas a alterações sem aviso prévio.
- Você pode comprar acessórios adicionais do seu revendedor Samsung local. Certifique-se de que são compatíveis com o dispositivo antes de os comprar.
- Use apenas acessórios aprovados pela Samsung. O uso de acessórios não recomendados pode causar problemas de desempenho e funcionamento incorreto que não são abrangidos pela garantia.
- A disponibilidade de todos os acessórios está sujeita a alteração dependendo inteiramente das empresas que os fabricam. Para mais informação sobre a disponibilidade dos acessórios, consulte a página web da Samsung.

Layout do dispositivo



Botões e funções

Nome	Função
Modo/Botão Liga/Desliga	<ul style="list-style-type: none"> • Deslize para a esquerda para ativar o modo de recepção e deslize para a direita para ativar o modo de envio. • Deslize OFF para desligar o dispositivo.
Botão chamada/ Multi função	<ul style="list-style-type: none"> • No modo de recepção, mantenha pressionado por 1 segundo para iniciar o S Voice. • No modo de recepção, pressione para atender ou terminar uma chamada. • No modo de recepção, mantenha pressionado para rejeitar uma chamada. • No modo de recepção, mantenha pressionado para transferir as chamadas do Level Link para o seu outro dispositivo ou vice-versa. • No modo de recepção, pressione para reproduzir ou parar arquivos multimídia. • No modo de recepção ou no modo de envio, mantenha pressionado por 3 segundos para entrar no modo de pareamento Bluetooth.
Botão de Volume	<ul style="list-style-type: none"> • No modo de recepção, pressione para ajustar o volume durante uma chamada. • No modo de recepção, pressione para ajustar o volume enquanto reproduz arquivos multimídia.
Botão Voltar / Botão Avançar	<ul style="list-style-type: none"> • No modo de recepção, pressione para reproduzir o arquivo anterior ou o seguinte durante a reprodução de multimídia. • No modo de recepção, mantenha pressionado para retroceder ou avançar rapidamente durante a reprodução de arquivos de multimídia.

Indicador de status

Estado	Cor
Modo de pareamento Bluetooth	<ul style="list-style-type: none"> • Piscar em vermelho, verde e azul
Ligado ou ativar modos	<ul style="list-style-type: none"> • Piscar em azul 3 vezes
Desliga	<ul style="list-style-type: none"> • Piscar em vermelho 3 vezes
Chamada a receber	<ul style="list-style-type: none"> • Piscar em azul

Carregando a bateria

Carregue a bateria antes de usar o Level Link pela primeira vez ou quando o Level Link não for utilizado por longos períodos.

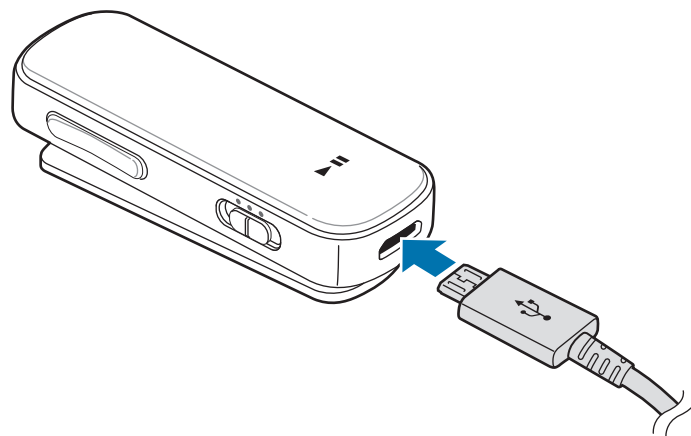


Use apenas carregadores, baterias e cabos aprovados pela Samsung. Carregadores ou cabos não aprovados podem causar a explosão da bateria ou danificar o fone de ouvido.



Se a bateria estiver totalmente descarregada, o fone de ouvido não pode ser ligado de imediato quando o carregador for conectado. Aguarde que a bateria totalmente descarregada carregue por alguns minutos antes de ligar o fone de ouvido.

Conecte o dispositivo ao computador ou ao adaptador de alimentação USB através do cabo USB.



Conectar incorretamente o carregador pode causar danos graves ao dispositivo. Qualquer dano causado por uso indevido não é abrangido pela garantia.



- O dispositivo pode ser usado enquanto carrega, mas poderá demorar mais tempo para carregar totalmente a bateria.
- Enquanto carrega, o dispositivo poderá esquentar. Isso é normal e não deverá afetar a vida útil e nem o desempenho do dispositivo. Se a bateria esquentar mais do que é normal, o carregador poderá parar de carregar.
- Se o dispositivo não estiver a carregar corretamente, leve-o e ao carregador a um Centro de Assistência Samsung.

Depois de totalmente carregado, desconecte o dispositivo do carregador. Primeiro desligue o carregador do dispositivo, e depois da tomada elétrica.



Para poupar energia, desligue o carregador quando não estiver utilizando. O carregador não tem um botão Liga/Desliga, você deve desligá-lo da tomada elétrica quando não usar, para economizar energia. O carregador deve permanecer próximo da tomada e acessível durante o carregamento.

Verificando o nível da bateria

Ao mesmo tempo mantenha pressionado o botão de Volume para cima e o botão Multi função por 1 segundo. A luz de notificação pisca três vezes em cores diferentes de acordo com o estado da bateria.

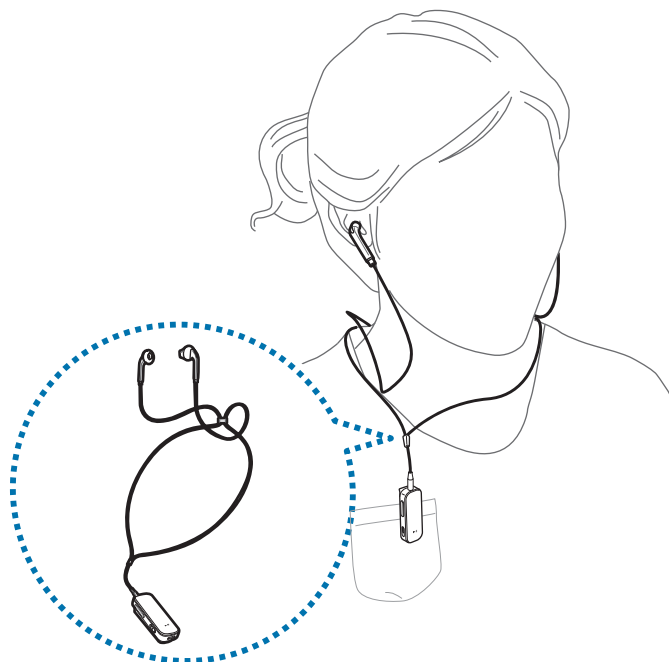
Estado	Cor
Menos de 30%	• Vermelho
30 – 60%	• Amarelo
Mais de 60%	• Verde

Usando o dispositivo e fones de ouvido

Conecte os fones de ouvido fornecidos com o Level Link e use-os em volta do seu pescoço.

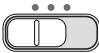


- 1 Conecte os fones de ouvido na entrada de áudio do Level Link.
- 2 Ajuste o clipe do fone de ouvido para formar um laço largo para que a sua cabeça passe por ele.

- 3 Prenda o Level Link às suas roupas.
- 4 Use os fones de ouvido em volta do seu pescoço e coloque os fones no ouvido.



Tenha cuidado quando usar esse dispositivo com fones de ouvido com fio. Você pode sufocar se os fones de ouvido se enrolarem em volta do seu pescoço.

Ligando e desligando o dispositivo

-  : ativa o modo de recepção.
-  : ativa o modo de envio.
-  : desliga o dispositivo.



Siga todos os avisos e diretrizes de pessoal autorizado em áreas onde o uso de dispositivos sem fio é proibido, tal como aviões e hospitais.

Usando o dispositivo

Bluetooth

Sobre o Bluetooth

Bluetooth é uma tecnologia padrão sem fio que usa uma frequência 2.4 GHz para se conectar a vários dispositivos em curtas distâncias. Pode conectar e trocar dados com outros dispositivos com capacidade Bluetooth, tais como dispositivos móveis, computadores, impressoras e outras aplicações digitais domésticas, sem conexão por cabo.

Notas para quando usar Bluetooth

- Para evitar problemas quando conectar o seu dispositivo a outro, coloque os dispositivos próximos um do outro.
- Certifique-se de que o seu dispositivo e o outro dispositivo Bluetooth estão dentro do alcance do Bluetooth de (10 m). A distância pode variar dependendo do ambiente em que os dispositivos são usados.
- Certifique-se de que não existem obstáculos entre o fone de ouvido e o dispositivo conectado, incluindo pessoas, paredes, esquinas ou vedações.
- Não toque na antena Bluetooth de um dispositivo conectado.
- Bluetooth usa a mesma frequência que alguns produtos industriais, científicos, médicos e de pouca voltagem e podem ocorrer interferências quando fizer conexões próximo desses tipos de produtos.
- Alguns dispositivos, especialmente aqueles que não foram testados ou aprovados pela Bluetooth SIG, podem ser incompatíveis com o fone de ouvido.
- Não utilize a funcionalidade Bluetooth para fins ilegais (por exemplo, piratear cópias de arquivos ou escutas ilegais de comunicações para fins comerciais).

Conexão com outros dispositivos



A qualidade do som e o alcance de uso entre o Level Link e os dispositivos de áudio conectados podem variar dependendo dos dispositivos áudio com capacidade Bluetooth.

Conectando no modo de recepção

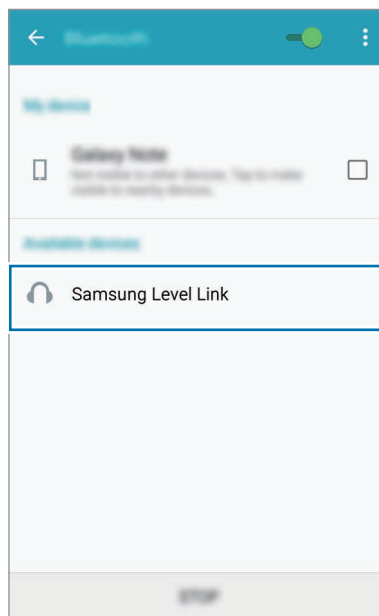
Você pode receber chamadas ou ouvir música quando o Level Link estiver conectado a dispositivos com Bluetooth ativado. Quando você ligar o Level Link pela primeira vez, ele entra no modo de pareamento Bluetooth.



- Quando parear o Level Link com outros dispositivos através de Bluetooth pela primeira vez, o Level Link conecta-se automaticamente aos dispositivos pareados. Se o Level Link não conseguir se conectar, ele entra no modo de pareamento Bluetooth.
- O Level Link pode guardar informação de até oito dispositivos. Se o Level Link já tiver sido conectado a mais do que um dispositivo, ele conecta-se ao dispositivo pareado mais recentemente.

- 1 Level Link** Deslize a chave de Modo para a esquerda para ativar o modo de recepção.
- 2 Level Link** Mantenha pressionado o botão Multi-função por cerca de 3 segundos para entrar no modo de pareamento Bluetooth.
- 3 Outro dispositivo** Ative a funcionalidade Bluetooth e procure por dispositivos Bluetooth. Para mais informação, consulte o manual do usuário do outro dispositivo.

4 **Outro dispositivo** Toque em **Samsung Level Link** da lista.



5 **Level Link** Conecte os fones de ouvido no Level Link.

Ou, conecte o Level Link na entrada auxiliar de um dispositivo de saída de áudio procure através de um cabo de áudio.



Nesse modo, se você conectar o Level Link através de um cabo de áudio a uma TV ou saída de áudio do computador, o seu Level Link pode se danificar.

Conectando no modo de envio

Conecte o seu dispositivo a um leitor de multimídia, através do cabo de áudio. Você pode ouvir arquivos de multimídia através de um outro dispositivo de áudio, tal como um fone de ouvido Bluetooth. Quando você ligar o Level Link pela primeira vez, ele entra no modo de pareamento Bluetooth.



- Quando parear o Level Link com outros dispositivos através de Bluetooth pela primeira vez, o Level Link conecta-se automaticamente aos dispositivos pareados. Se o Level Link não conseguir se conectar, ele entra no modo de pareamento Bluetooth.
- O Level Link pode guardar informação de até oito dispositivos. Se o Level Link já tiver sido conectado a mais do que um dispositivo, ele conecta-se ao dispositivo pareado mais recentemente.

- 1 Level Link** Deslize a chave de Modo para a direita para ativar o modo de envio.
- 2 Level Link** Mantenha pressionado o botão Multi-função por cerca de 3 segundos para entrar no modo de pareamento Bluetooth.
- 3 Level Link** Coloque o seu Level Link num raio de 30 cm do dispositivo de áudio pareado. O Level Link e o dispositivo de áudio estão agora conectados por Bluetooth. Se a conexão falhar, desligue o dispositivo de áudio e ligue-o novamente. Depois, repita os passos acima.
- 4** Ligue o cabo de áudio na entrada de áudio do Level Link. Depois, ligue a outra extremidade do cabo de áudio na saída de áudio do leitor multimídia.



- O método para conectar através de Bluetooth pode variar dependendo dos dispositivos conectados. Para mais informação, consulte o manual do usuário do dispositivo conectado.
- Quando o Level Link está conectado a uma TV no modo de envio, poderão ocorrer erros de sincronização labial. Recomenda-se que conecte o Level Link a uma TV que suporte o codec aptX Low Latency.
- Quando usar o Level Link com o leitor multimídia, primeiro baixe o volume do leitor de multimídia antes de ligar o cabo de áudio para evitar sons altos e súbitos.
- Você poderá notar descidas no volume ou ruído dependendo do volume do leitor de multimídia conectado. Para evitar isso, ajuste o som do leitor multimídia corretamente.

Conectando dispositivos adicionais

No modo de recepção ou no modo de envio, o seu Level Link pode conectar até dois dispositivos através do Bluetooth.

- 1 No modo de recepção ou no modo de envio, conecte o seu Level Link ao primeiro dispositivo.
- 2 Conecte o Level Link a um segundo dispositivo através de Bluetooth usando o método de conexão usado para o primeiro dispositivo.



- No modo de recepção, se o Level Link não surgir na lista de dispositivos detectados, mantenha pressionado o botão Multi-função por cerca de 3 segundos para entrar no modo de pareamento Bluetooth.
- No modo de envio, o Level Link suporta o codec aptX low-latency quando está conectado a um dispositivo de áudio. Se estiverem conectados ao mesmo tempo dois dispositivos de áudio ao Level Link, o codec aptX não é suportado e as saídas de vídeo e áudio podem não estar sincronizadas.
- No modo de envio, o alcance do envio entre o Level Link e outros dispositivos pode ser reduzido.

Reconectando ou desconectando de outros dispositivos

Reconectando os dispositivos

Quando o seu Level Link estiver desconectado de um dispositivo de áudio devido à distância entre dispositivos, aproxime os dispositivos um do outro e pressione o botão Multi-função para parear novamente. Ou, você pode usar o menu Bluetooth no dispositivo de áudio para parear os dispositivos.

Desconectando os dispositivos

Para desconectar o Level Link do dispositivo de áudio, desligue o seu dispositivo ou desconecte os dispositivos. Se conectou os dois dispositivos através de um cabo de áudio, desligue o cabo de ambos os dispositivos.

Usando os modos de recepção e de envio

No modo de recepção, você pode iniciar o S Voice, atender chamadas ou reproduzir arquivos multimídia. Nesse modo, use o seu Level Link com os fones de ouvido ou conecte o Level Link a um dispositivo de áudio através de um cabo de áudio.

No modo de envio, você pode ouvir áudio do leitor de multimídia através do dispositivo áudio conectado.



- As funcionalidades disponíveis podem variar dependendo do dispositivo a que você se conectou. Algumas funcionalidades podem não estar disponíveis se o Level Link estiver ligado a dois dispositivos ao mesmo tempo.
- Algumas funcionalidades estão disponíveis apenas quando o Level Link se conecta a um dispositivo através do Perfil Mãos livres (HPF).
- A localização do microfone varia dependendo da forma como você está usando o Level Link. A posição do Level Link pode afetar a qualidade do som durante as chamadas.

Iniciar o S Voice

Pressione o botão Multi-função por cerca de 1 segundo. Se o dispositivo conectado suportar S Voice, você pode usar a aplicação através do Level Link.

Atendendo e rejeitando chamadas

Atendendo uma chamada

Pressione o botão Chamada para atender chamadas feitas para o dispositivo conectado.

Rejeitando uma chamada

Mantenha pressionado o botão Chamada para rejeitar chamadas feitas para o dispositivo conectado.

Usando opções durante uma chamada

Ajustando o volume

Durante uma chamada, pressione o botão de Volume para ajustar o volume.

Alterando a saída de som

Mantenha pressionado o botão Chamada para transferir chamadas do Level Link para o dispositivo conectado. Essa funcionalidade pode não estar disponível dependendo do dispositivo móvel conectado.

Terminando uma chamada

Pressione o botão Chamada para terminar uma chamada.

Reproduzindo arquivos de multimídia

Reproduza arquivos multimídia no modo de recepção ou no modo de envio. As funcionalidades disponíveis podem variar dependendo do modo a ser usado.

Reproduzindo e parando um arquivo multimídia

Pressione o botão Multi-função para reproduzir o arquivo de multimídia mais recente no dispositivo conectado.

Pressione o botão Multi-função para pausar a reprodução. Para retomar a reprodução, pressione novamente o botão Multi-função.

Retroceder ou avançar nos arquivos de multimídia

Pressione o botão Voltar ou o botão Avançar para retroceder ou avançar nos arquivos durante a reprodução.

Rebobinar ou avançar rapidamente o arquivo multimídia

Mantenha pressionado o botão Voltar ou o botão Avançar para retroceder ou avançar rapidamente no arquivo durante a reprodução.

Ajustando o volume

Pressione o botão de Volume para ajustar o volume.



- Quando o Level Link está conectado a dois dispositivos, você pode reproduzir arquivos multimídia de qualquer um dos dispositivos. Para reproduzir um arquivo multimídia de um dispositivo diferente, pause a reprodução do outro dispositivo primeiro.
- Quando reproduz um arquivo multimídia de um dispositivo, você pode atender chamadas do outro dispositivo à mesma.
- Se existirem diferenças na saída de energia do cabo de áudio e o dispositivo de áudio conectado no modo de envio, o volume do som do Level Link pode variar.

Realizar restauração de dados

Quando o seu Level Link está conectado a um dispositivo através de Bluetooth, a informação do Level Link, tal como o endereço Bluetooth e tipo de dispositivo, é guardado no dispositivo conectado. Para excluir a informação de conexão do Level Link, mantenha pressionado o botão Multi-função por cerca de 3 segundos para entrar no modo de pareamento Bluetooth. Depois, mantenha pressionado os botões Voltar, Avançar e Multi-função ao mesmo tempo por cerca de 3 segundos.

Resolução de problemas

Antes de contatar o Centro de Assistência Samsung, por favor tente as seguintes soluções. Algumas situações não são aplicáveis ao seu dispositivo.

O seu dispositivo não liga

Quando a bateria estiver totalmente descarregada, o seu dispositivo não irá ligar. Carregue a bateria totalmente antes de ligar o dispositivo.

A bateria não carrega corretamente (Para carregadores aprovados pela Samsung)

- Certifique-se de que o carregador está corretamente conectado.
- Vá a um Centro de Assistência Samsung para que substituam a bateria.

Outro dispositivo Bluetooth não consegue localizar o seu dispositivo

- Certifique-se de que o dispositivo se encontra no modo de pareamento Bluetooth.
- Reinicie o dispositivo e procure por dispositivos Bluetooth.
- Certifique-se de que o seu dispositivo e o outro dispositivo Bluetooth estão dentro do alcance do Bluetooth de (10 m).

Se as sugestões acima não resolverem o seu problema, contate um Centro de Assistência Samsung.

Não é possível localizar outro dispositivo Bluetooth

- Certifique-se de que o dispositivo no qual pretende se conectar suporta o recurso sem fio Bluetooth.
- Certifique-se de que o seu dispositivo e o outro dispositivo Bluetooth estão dentro do alcance máximo do Bluetooth de (10 m).

A conexão Bluetooth desconecta-se muitas vezes

- Se existirem obstáculos entre os dispositivos, a distância de operação pode ser reduzida.
- Certifique-se de que o seu dispositivo e o outro dispositivo Bluetooth estão dentro do alcance máximo do Bluetooth de (10 m).
- Quando usar o dispositivo com outros dispositivos Bluetooth, a conexão pode ser afetada por ondas eletromagnéticas. Use o dispositivo em ambientes com menos dispositivos sem fio presentes.

Você não consegue ouvir os outros falando

- Ajuste o volume do dispositivo.
- Ajuste o volume no dispositivo conectado quando não conseguir ouvir os sons no seu dispositivo no volume máximo.

O som ecoa durante a chamada

Ajuste o volume pressionando o botão de Volume ou mova-se para outra área.

Os outros não o conseguem ouvir durante uma chamada

- Certifique-se de que não está cobrindo o microfone embutido.
- Certifique-se de que o microfone está próximo da sua boca.

A qualidade do áudio é fraca

- Serviços de rede sem fio podem ser desativados devido a problemas com a rede da operadora. Certifique-se de que mantém o dispositivo longe de ondas eletromagnéticas.
- Certifique-se de que o seu dispositivo e o outro dispositivo Bluetooth estão dentro do alcance máximo do Bluetooth de (10 m).

O dispositivo funciona de forma diferente daquela descrita no manual

- As funções disponíveis podem ser diferentes dependendo do dispositivo conectado.
- Algumas funcionalidades não podem ser usadas quando dois dispositivos estão conectados com o dispositivo ao mesmo tempo.

A bateria descarrega mais rapidamente do que quando comprei

- Quando você expõe o dispositivo ou a bateria a temperaturas muito frias ou muito quentes, a carga útil pode ser reduzida.
- A bateria é um item consumível e a carga útil irá diminuindo com o tempo.

Direitos autorais

Direitos autorais © 2015 Samsung Electronics

Esse manual está protegido por leis internacionais de direitos autorais.

Nenhuma parte deste manual pode ser reproduzida, distribuída, traduzida ou transmitida por qualquer forma ou por qualquer meio, eletrônico ou impresso, incluindo fotocópia, gravação ou armazenamento em qualquer sistema de armazenagem e recuperação, sem a permissão prévia por escrito da Samsung Electronics.

Marcas comerciais registradas

- SAMSUNG e o logotipo SAMSUNG são marcas comerciais registradas da Samsung Electronics.
- Bluetooth® é uma marca comercial registrada da Bluetooth SIG, Inc. por todo o mundo.
- Todas as outras marcas comerciais registradas e direitos de autor são propriedade dos seus respectivos proprietários.

사용하기 전에

사용 전 반드시 이 사용 설명서를 읽고 제품을 안전하고 올바르게 사용하세요.

- 사용 설명서의 그림은 실물과 다를 수 있으며, 내용은 성능 개선을 위해 사용자에게 통보 없이 일부 변경될 수 있습니다.
- 이 기기는 가정용(B급) 전자파적합기기로서 주로 가정에서 사용하는 것을 목적으로 하며, 모든 지역에서 사용할 수 있습니다.
- 해당 무선설비는 운용 중 전파 혼신 가능성이 있으므로 인명 안전과 관련된 서비스는 할 수 없습니다.

표기된 기호 설명



경고: 제품을 사용할 때 주의하지 않으면 심각한 피해를 입을 수 있는 경고 사항을 표기할 때 사용합니다.



주의: 제품을 안전하고 올바르게 사용하기 위해 주의해야 할 사항을 표기할 때 사용합니다.



알아두기: 제품을 사용할 때 알아 두면 좋을 내용이나 참고 기능, 기능 사용 중에 유용하게 사용할 수 있는 팁 등을 소개할 때 사용합니다.

시작하기

제품 소개

이 제품은 RECEIVE(수신)와 SEND(송신) 두 가지 모드를 제공합니다. RECEIVE(수신) 모드에서는 스마트폰, 태블릿 등과 같은 블루투스 지원 기기와 무선으로 연결하여 제품을 블루투스 헤드셋으로 사용할 수 있습니다. SEND(송신) 모드에서는 PC, TV 등의 멀티미디어 기기와 블루투스 헤드셋 등의 오디오 기기를 연결해 주는 동글로 사용할 수 있습니다.

RECEIVE(수신) 모드의 주요 기능은 다음과 같습니다.

- S보이스 실행
- 전화 수신 및 종료 등 통화 관련 기능
- 음악 등 멀티미디어 재생 및 일시 정지 기능

SEND(송신) 모드의 주요 기능은 다음과 같습니다.

- 멀티미디어 기기의 소리 재생 기능

구성품 확인

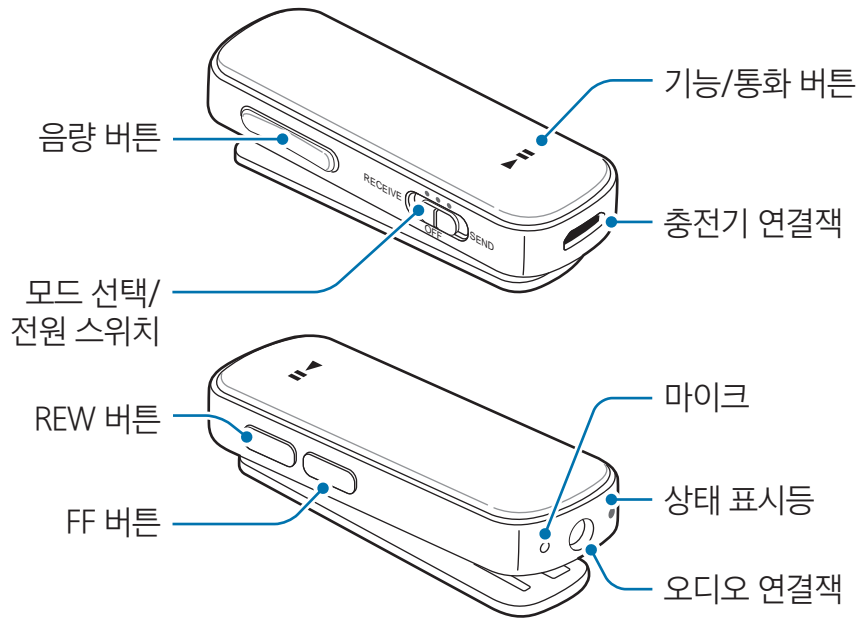
제품 구입 시 제공되는 구성품을 확인하세요.

- 제품
- 스테레오 이어폰
- USB 케이블
- 오디오 케이블
- 간단 사용 설명서



- 제공된 구성품 및 사용 가능한 별매품은 삼성전자의 사정에 따라 변경될 수 있습니다.
- 구성품은 이 제품 전용으로 다른 기기와는 호환되지 않을 수 있습니다.
- 제품의 외관, 규격 등은 성능 개선을 위해 예고 없이 변경될 수 있습니다.
- 삼성전자 대표 사이트에 접속해 별매품을 구입할 수 있습니다. 별매품 구입 시 사용 중인 모델과 호환되는지 먼저 확인하세요.
- 별매품은 반드시 삼성전자에서 제공하는 정품을 구입하세요. 정품이 아닌 별매품을 사용하면 제품의 성능 저하나 고장을 유발할 수 있으며 이러한 경우 보증 서비스가 적용되지 않습니다.
- 삼성전자의 사정에 따라 별매품의 사용 가능 여부가 변경될 수 있습니다. 사용 가능한 별매품에 대한 자세한 내용은 삼성전자 대표 사이트에서 확인하세요.

각 부분의 이름



제품의 규격에 대한 내용은 삼성전자 대표 사이트에 접속하여 관련 페이지를 참조하세요.

버튼별 명칭 및 기능

명칭	기능
모드 선택/전원 스위치	<ul style="list-style-type: none"> 좌우로 밀면 RECEIVE(수신)/SEND(송신) 모드를 켭니다. OFF에 놓으면 전원을 끕니다.
기능/통화 버튼	<ul style="list-style-type: none"> RECEIVE(수신) 모드에서 1초간 누르면 S보이스를 실행합니다. RECEIVE(수신) 모드에서 짧게 누르면 통화를 연결하거나 종료합니다. RECEIVE(수신) 모드에서 길게 누르면 전화를 거절합니다. RECEIVE(수신) 모드에서 통화 중 길게 누르면 제품과 기기간 통화를 전환합니다. RECEIVE(수신) 모드에서 짧게 누르면 멀티미디어의 소리를 재생하거나 일시 정지합니다. RECEIVE(수신)/SEND(송신) 모드에서 3초간 누르면 블루투스 등록 대기 상태로 진입합니다.

명칭	기능
음량 버튼	<ul style="list-style-type: none"> RECEIVE(수신) 모드에서 통화 중 누르면 음량을 조절합니다. RECEIVE(수신) 모드에서 누르면 멀티미디어의 음량을 조절합니다.
REW 버튼/FF 버튼	<ul style="list-style-type: none"> RECEIVE(수신) 모드에서 멀티미디어 재생 중 짧게 누르면 이전/다음 항목을 재생합니다. RECEIVE(수신) 모드에서 멀티미디어 재생 중 길게 누르면 되감기/빨리 감기를 실행합니다.

상태 표시등

상태	상태 표시등 색상
등록 대기 모드	<ul style="list-style-type: none"> 빨간색, 녹색, 파란색 순으로 깜박임
전원 켜기(모드 선택 시)	<ul style="list-style-type: none"> 파란색 세 번 깜박임
전원 끄기	<ul style="list-style-type: none"> 빨간색 세 번 깜박임
전화 수신	<ul style="list-style-type: none"> 파란색 깜박임

배터리 충전 방법

제품에는 배터리가 내장되어 있습니다. 제품을 구입한 후 처음 사용할 경우에는 배터리를 충분히 충전하여 사용하세요.

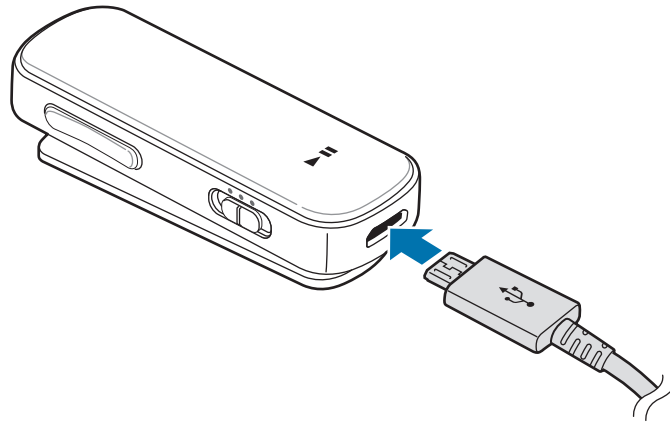


반드시 삼성전자에서 승인한 정품 충전기 및 USB 케이블만 사용하세요. 승인되지 않은 충전기 및 USB 케이블로 배터리 충전 시 배터리가 폭발하거나 제품이 고장날 수 있습니다.



- 배터리가 남아 있지 않을 경우 충전기 및 USB 케이블을 연결하여도 제품의 전원이 켜지지 않습니다. 전원을 켜기 전에 최소 몇 분간 배터리를 충전하세요.
- 배터리 사용 시간 등에 대한 내용은 삼성전자 대표 사이트에 접속하여 관련 페이지를 참조하세요.

제품과 USB 케이블을 연결한 후 컴퓨터나 충전기에 꽂으세요.



충전기 및 USB 케이블을 잘못 연결하면 제품이 고장날 수 있습니다. 잘못된 사용 방법으로 인한 피해는 보증 서비스가 적용되지 않습니다.



- 충전 중에도 제품을 사용할 수 있으나, 배터리 충전 시간이 길어질 수 있습니다.
- 충전 중에는 제품이 뜨거워질 수 있습니다. 이는 정상적인 현상으로, 제품의 수명이나 기능에는 영향을 미치지 않습니다. 배터리의 온도가 일정 수준 이상 높아지면 안전을 위해 충전이 중지될 수 있습니다.
- 제품이 제대로 충전되지 않으면 제품과 USB 케이블을 가지고 가까운 삼성전자 서비스 센터를 방문하세요.

충전이 끝나면 먼저 제품에서 USB 케이블을 분리한 후 컴퓨터나 충전기와 분리하세요.



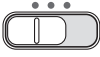
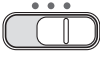
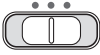
에너지를 절약하기 위하여 사용하지 않을 때는 충전기를 빼 두세요. 충전기에는 전원 스위치가 없기 때문에, 전력 소모를 방지하기 위해서는 콘센트와 충전기를 분리해 두어야 합니다. 충전 중에는 충전기가 콘센트 가까이에 있어야 하며, 손이 쉽게 닿는 곳에 두어야 합니다.

배터리 충전 상태 확인

음량(상) 버튼과 기능 버튼을 동시에 1초간 누르세요. 배터리 충전 상태에 따라 상태 표시등이 아래와 같은 색상으로 세 번 깜박입니다.

상태	상태 표시등 색상
30% 미만	• 빨간색
30~60%	• 노란색
60% 초과	• 녹색

켜기/끄기

-  : RECEIVE(수신) 모드를 켭니다.
-  : SEND(송신) 모드를 켭니다.
-  : 전원을 끕니다.

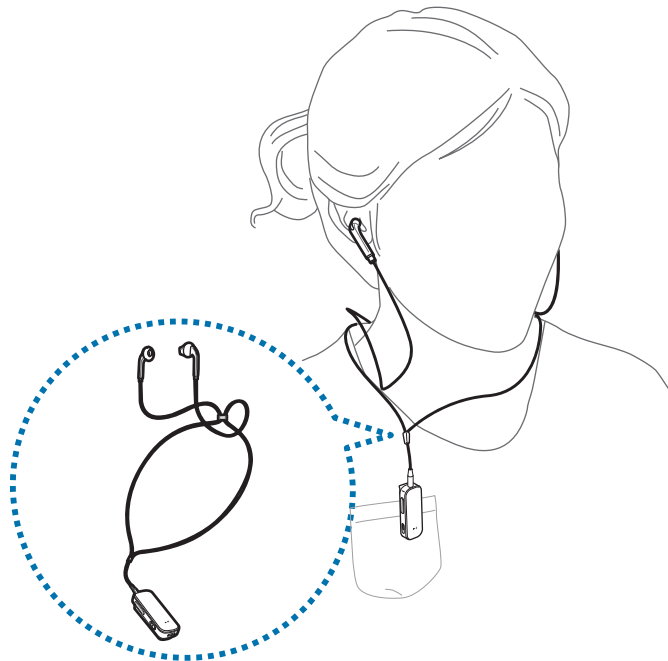


비행기, 병원 등 무선 기기 사용이 제한된 곳에서는 해당 구역 담당자가 명시한 경고와 지시 사항을 모두 따르세요.

제품 및 이어폰 착용 방법

제품에 구입 시 함께 제공되는 목걸이형 이어폰을 제품에 연결한 후 목에 걸어 사용할 수 있습니다.

- 1 제품의 오디오 연결잭에 이어폰을 연결하세요.
- 2 이어폰의 목걸이 클립을 조절해 이어폰 줄에 사람 머리가 들어갈 만한 공간을 만드세요.
- 3 제품 뒷면의 고정 클립을 이용해 제품을 옷에 고정시키세요.
- 4 이어폰 줄을 목에 건 후 이어폰을 양쪽 귀에 끼우세요.



목걸이형 이어폰 줄을 사용자의 목에 건 상태에서 줄을 조일 경우 질식의 위험이 있으니 주의하세요.

제품 사용하기

블루투스 기능 알아보기

블루투스 소개

블루투스는 2.4 GHz 주파수를 이용해 일정 거리 안에서 각종 기기를 무선으로 연결할 수 있는 통신 기술입니다. 블루투스를 지원하는 스마트폰, 컴퓨터, 프린터 등의 통신 기기는 물론, 디지털 가전 제품 간에 케이블을 연결하지 않고 빠른 속도로 데이터를 주고받을 수 있습니다.

블루투스 연결 시 주의 사항

- 제품을 다른 기기와 연결할 때는 해당 기기와 가까운 거리에 두세요. 그렇지 않을 경우 사용 환경에 따라 이상 동작이나 잡음 등이 발생할 수 있습니다.
- 제품과 연결된 기기 간 사용 거리(10 m) 이내에서 사용하세요. 사용 거리는 사용 환경에 따라 달라질 수 있습니다.
- 제품과 연결된 기기 사이에 장애물을 두지 마세요. 신체 및 벽, 모퉁이, 보조 칸막이 등과 같은 장애물로 인해 수발신 신호가 약해질 수 있습니다. 장애물이 없는 곳에서 사용하세요.
- 제품과 연결된 기기의 전파 수발신 부분에 신체가 닿지 않도록 주의하세요.
- 블루투스는 산업, 과학, 의료용 기기 및 전자 제품, 무선 랜과 같은 소출력 기기와 동일한 주파수 대역을 사용하므로 기기 간에 전파 간섭이 발생할 수 있습니다.
- 블루투스 SIG(Special Interest Group)에서 승인되지 않은 기기 등 일부 기기와는 호환되지 않을 수 있습니다.
- 블루투스 기능을 불법적(영리 목적의 불법 복제, 불법 공중 송신, 불법 전송 등)으로 이용하지 마세요.

제품과 기기 연결



블루투스 지원 오디오 기기의 성능에 따라 제품 사용 거리 및 음질에 차이가 날 수 있습니다.

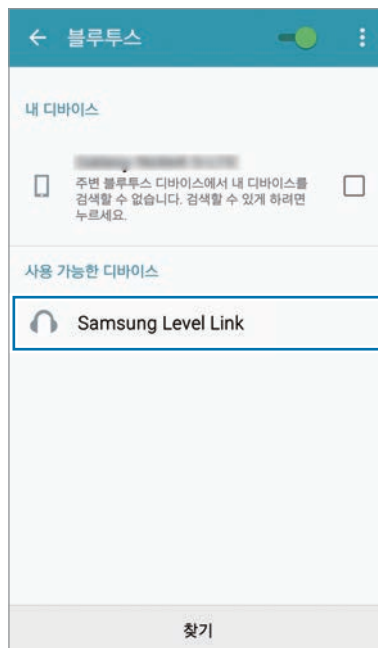
RECEIVE(수신) 모드로 기기 연결하기

블루투스 지원 기기와 연결하여 전화를 수신하거나 음악을 감상할 수 있습니다. 제품을 구입한 후 처음 전원을 켜면 등록 대기 상태로 진입합니다.



- 등록이 완료되면 제품을 켤 때마다 등록된 기기와 자동으로 연결을 시도합니다. 연결되지 않을 경우 대기 상태가 됩니다.
- 이전에 연결했던 기기의 정보는 최대 8대까지 저장되며, 연결했던 기기가 여러 대 있을 경우 가장 최근 연결했던 기기가 연결됩니다.

- 1 **제품** 모드 선택 스위치를 왼쪽으로 밀어 RECEIVE(수신)에 놓으세요.
- 2 **제품** 기능 버튼을 약 3초간 눌러 등록 대기 상태로 설정하세요.
- 3 **연결할 기기** 블루투스 기능을 켜 후 블루투스 기기를 검색하세요.
자세한 내용은 기기의 사용 설명서를 참고하세요.
- 4 **연결할 기기** 검색된 기기 목록에서 **Samsung Level Link**를 선택해 연결을 완료하세요.



5 **제품** 스테레오 이어폰을 연결하세요.

또는 오디오 케이블로 오디오 기기의 입력 단자(AUX)에 연결하여 사용할 수 있습니다.



RECEIVE(수신) 모드에서 오디오 케이블로 TV 또는 PC 등의 오디오 출력 단자와 연결하면 제품이 손상될 수 있습니다.

SEND(송신) 모드로 기기 연결하기

블루투스를 이용해 멀티미디어 기기에서 재생하는 음악을 블루투스 헤드셋과 같은 오디오 기기에서 감상할 수 있습니다. 제품을 구입한 후 처음 전원을 켜면 등록 대기 상태로 진입합니다.



- 등록이 완료되면 제품을 켤 때마다 등록된 기기와 자동으로 연결을 시도합니다. 연결되지 않을 경우 대기 상태가 됩니다.
- 이전에 연결했던 기기의 정보는 최대 8대까지 저장되며, 연결했던 기기가 여러 대 있을 경우 가장 최근 연결했던 기기가 연결됩니다.

1 **제품** 모드 선택 스위치를 오른쪽으로 밀어 SEND(송신)에 놓으세요.

2 **제품** 기능 버튼을 약 3초간 눌러 등록 대기 상태로 설정하세요.

3 **제품** 등록 대기 모드 상태의 오디오 기기를 제품과 약 30 cm 이내로 가까이 두세요.

제품과 오디오 기기가 연결됩니다. 연결이 되지 않을 경우 오디오 기기의 전원을 껐다 켜 후 다시 시도하세요.

4 **제품** 오디오 연결잭에 오디오 케이블을 연결한 후 오디오 케이블의 나머지 한 쪽을 멀티미디어 기기의 음성 출력 단자에 연결하세요.



- 연결할 기기의 블루투스 연결 방법은 제조 회사나 모델에 따라 다릅니다. 해당 기기의 사용 설명서를 참조하세요.
- SEND(송신) 모드로 TV와 연결 시 립싱크 문제가 발생할 수 있으므로, 가급적 apt-X Low Latency 지원 기기와 연결하여 사용하세요.
- 제품을 멀티미디어 기기와 연결하여 사용하는 중 기기에서 오디오 케이블을 분리할 경우, 기기의 음량이 커서 사용자가 놀랄 수 있으니 주의하세요.
- 연결된 멀티미디어 기기의 음량에 따라 멀티미디어의 소리 재생 시 음이 끊기거나 잡음이 발생할 수 있습니다. 멀티미디어 기기의 음량을 알맞게 조절하여 사용하세요.

추가 기기 연결

RECEIVE(수신) 모드와 SEND(송신) 모드에서 제품에 블루투스 기기를 추가로 연결(최대 두 대)하여 두 대의 기기를 동시에 사용할 수 있습니다.

- 1 RECEIVE(수신) 또는 SEND(송신) 모드로 첫 번째 기기를 제품과 연결하세요.
- 2 첫 번째 기기와 동일한 방식으로 두 번째 기기를 제품과 연결하세요.



- RECEIVE(수신) 모드에서 추가 기기의 블루투스 목록에 제품이 검색되지 않을 경우, 기능 버튼을 약 3초간 눌러 등록 대기 상태로 설정하세요.
- SEND(송신) 모드에서 오디오 기기를 두 대 연결할 경우 APT-X Low-Latency 코덱을 지원하지 않아 TV나 PC 등의 영상과 전송된 음성 간의 싱크가 맞지 않을 수 있습니다.
- SEND(송신) 모드에서 추가 기기 연결 시, 사용 가능 거리가 짧아질 수 있습니다.

재연결/연결 해제

재연결하기

거리상의 문제 등으로 블루투스 연결이 해제된 경우 제품과 연결할 기기를 가까이 둔 상태에서 전원이 켜진 제품의 기능 버튼을 누르거나, 다시 연결할 기기의 블루투스 메뉴를 이용하세요.

연결 해제하기

제품과 기기의 블루투스 연결을 해제하려면 제품의 전원을 끄거나 연결된 기기에서 블루투스 등록을 해제하세요. 오디오 케이블을 연결한 경우 케이블을 분리하세요.

RECEIVE(수신) 및 SEND(송신) 모드 사용

RECEIVE(수신) 모드에서 제품으로 S보이스 실행 및 전화 수신, 음악 등의 멀티미디어 재생 기능을 사용할 수 있습니다. 해당 모드에서는 제품에 스테레오 이어폰을 연결하거나, 오디오 케이블로 제품을 오디오 기기와 연결해 사용하세요.

SEND(송신) 모드에서는 멀티미디어 기기의 재생 소리를 오디오 기기로 들을 수 있습니다.



- 연결된 기기의 기종에 따라 실행되는 기능이 다를 수 있으며, 기기 두 대와 연결되어 있는 경우 일부 기능이 제한될 수 있습니다.
- 일부 기능은 핸드프리 프로파일(HFP)로 연결된 경우에만 실행할 수 있습니다.
- 제품 착용 위치에 따라 마이크의 위치가 달라지므로 통화 음질에 차이가 날 수 있습니다.

S보이스 실행하기

기능 버튼을 1초간 누르세요. 제품에서 S보이스를 실행할 수 있습니다. 이 기능은 S보이스 기능을 지원하는 삼성 기기와 연결한 경우에만 사용할 수 있습니다.

전화 받기/거절하기

전화 받기

연결된 기기로 전화가 오면 제품의 통화 버튼을 짧게 누르세요.

전화 거절하기

연결된 기기로 전화가 오면 통화 버튼을 길게 누르세요.

통화 중 기능 사용하기

통화 음량 조절하기

소리 크기를 조절하려면 음량 버튼을 누르세요.

통화 전환하기

제품과 연결된 기기 간에 통화를 전환하려면 제품의 통화 버튼을 길게 누르세요. 이 기능은 연결된 기기에 따라 동작하지 않을 수 있습니다.

통화 종료하기

전화를 끊으려면 통화 버튼을 짧게 누르세요.

멀티미디어 재생하기

RECEIVE(수신) 모드에서 제품의 버튼으로 멀티미디어를 재생하거나 일시 정지하는 등 제어 기능을 사용할 수 있습니다. SEND(송신) 모드에서는 연결된 멀티미디어 기기의 조작 메뉴를 이용하세요.

재생/일시 정지하기

제품의 기능 버튼을 짧게 누르세요. 연결된 기기에 기본으로 설치된 음악 애플리케이션이 실행되며 마지막으로 재생했던 곡이 재생됩니다.

재생을 일시 정지하려면 기능 버튼을 짧게 누르세요. 다시 재생하려면 기능 버튼을 짧게 누르세요.

이전/다음 항목 재생하기

재생 중 이전/다음 항목을 재생하려면 REW 버튼/FF 버튼을 짧게 누르세요.

되감기/빨리 감기

재생 중 되감기/빨리 감기를 실행하려면 REW 버튼/FF 버튼을 길게 누르세요.

음량 조절하기

소리 크기를 조절하려면 음량 버튼을 누르세요.



- 제품과 기기 두 대를 연결한 경우 한 쪽 기기에서만 재생되며, 한 쪽 기기에서 끄거나 정지해야만 다른 쪽 기기에서 재생할 수 있습니다.
- 한 쪽 기기에서 재생 시 다른 쪽 기기로 걸려 온 전화를 수신할 수 있습니다.
- SEND(송신) 모드 사용 시 오디오 케이블과 연결된 오디오 기기의 출력이 다를 경우, 수신 음량에 차이가 날 수 있습니다.

제품 초기화

제품이 다른 기기에 등록되면 자동으로 블루투스 주소나 기기 종류 등의 정보를 저장합니다. 각 모드에 저장된 연결 정보를 초기화하려면, 기능 버튼을 약 3초간 눌러 등록 대기 상태로 설정한 후 REW 버튼/FF 버튼과 기능 버튼을 동시에 3초간 누르세요.

부록

서비스를 요청하기 전에 확인할 사항

서비스를 요청하기 전에 먼저 사용 설명서를 읽고 다음과 같은 증상에 대해서는 문제를 해결해 보세요.

제품이 켜지지 않습니다.

배터리가 완전히 방전된 경우 제품이 켜지지 않습니다. 제품 사용 전 배터리를 충분히 충전하세요.

배터리 충전이 잘 안됩니다.(삼성 정품 USB 케이블 기준)

- USB 케이블의 연결 상태를 확인해 보세요.
- 배터리를 교체해야 할 경우에는 가까운 삼성전자 서비스 센터로 방문하세요.

연결할 기기의 블루투스 장치 목록에 제품이 검색되지 않습니다.

- 제품이 등록 대기 모드에 진입하였는지 확인하세요.
- 제품을 초기화한 후 다시 검색해 보세요.
- 최대 블루투스 연결 범위(10 m) 이내에 제품과 연결할 기기가 있는지 확인하세요.

위의 방법들을 시도해도 문제가 해결되지 않으면 삼성전자 서비스 센터에 문의하세요.

다른 기기와 블루투스 연결이 되지 않습니다.

- 연결할 기기가 블루투스를 지원하는지 확인하세요.
- 최대 블루투스 연결 범위(10 m) 이내에 제품과 연결할 기기가 있는지 확인하세요.

블루투스 연결이 자주 끊깁니다.

- 블루투스는 무선 기술로, 장애물(벽, 전자기기 등)로 인해 수발신 신호가 약해질 수 있습니다. 제품과 연결한 기기 사이에 장애물이 있는지 확인하세요.
- 최대 블루투스 연결 범위(10 m) 이내에 제품과 연결할 기기가 있는지 확인하세요.
- 외부 기기와 연동하여 사용할 때 주변의 전파 영향에 따라 연결이 원활하지 않을 수 있습니다. 주변에 무선 기기가 적은 환경에서 사용하세요.

통화 중에 상대방의 소리를 들을 수 없습니다.

- 제품의 음량을 조절하세요.
- 제품의 음량을 최대로 설정했는데도 음량이 작으면 연결된 기기의 음량을 조절하세요.

통화 중에 음성이 울립니다.

음량 버튼을 눌러 소리 크기를 조절하거나 다른 장소로 이동하여 통화하세요.

통화 중에 상대방이 내 목소리를 듣지 못합니다.

- 제품의 마이크가 가려져 있지 않은지 확인하세요.
- 마이크를 입 가까이 대고 말하세요.

통화 음질, 음악 재생 음질이 떨어집니다.

- 무선 전화나 무선 네트워크 장치와 같은 기기들은 소음을 발생시켜 통화 및 음악 재생을 방해할 수 있습니다. 되도록 전파를 사용 또는 발생시키는 장치들로부터 떨어진 곳에서 사용하세요.
- 제품과 연결한 기기가 최대 블루투스 연결 범위(10 m) 이내에 있는지 확인하세요.

제품이 사용 설명서의 내용과 다르게 작동합니다.

- 연결된 기기의 종류에 따라 실행되는 기능이 다를 수 있습니다.
- 두 대의 기기와 동시에 연결한 경우 일부 기능이 제한될 수 있습니다.

배터리 사용 시간(대기 시간)이 구입 시보다 짧아졌습니다.

- 충전한 제품이나 배터리를 저온 또는 고온에 방치한 경우 사용 시간이 짧아집니다.
- 배터리는 소모품이므로 구입했을 때보다 서서히 사용 시간이 짧아집니다.

제품 A/S 관련 문의

A/S 문의 시에는 제품 모델명, 고장 상태, 연락처를 알려 주세요.

- 삼성전자 서비스 센터: 1588-3366
- 고객 불편 상담: 02-541-3000 / 080-022-3000

저작권

Copyright © 2015 삼성전자주식회사

이 사용 설명서는 저작권법에 의해 보호 받는 저작물입니다. 삼성전자주식회사의 사전 서면 동의 없이 사용 설명서의 일부 또는 전체를 복제, 공중 송신, 배포, 번역하거나 전자 매체 또는 기계가 읽을 수 있는 형태로 바꿀 수 없습니다.

등록상표권

- 삼성, SAMSUNG, SAMSUNG 로고(오벌 마크)는 삼성전자주식회사의 등록상표입니다.
- 블루투스는 Bluetooth SIG, Inc.의 등록상표입니다.
- 기타 모든 상표 및 저작권은 해당 업체의 자산입니다.

قراءة الدليل أولاً

يرجى قراءة هذا الدليل قبل استخدام الجهاز لضمان الاستخدام الآمن والسليم.

- تستند عمليات الوصف على الإعدادات الافتراضية للجهاز.
- قد تختلف الصور في المظهر عن المنتج الفعلي. يخضع المحتوى للتغيير بدون إشعار مسبق.

الرموز الإرشادية

تحذير: المواقع التي قد تؤدي إلى إصابتك أنت أو الآخرين



تنبيه: المواقع التي قد تتسبب في تلف الجهاز أو أي معدات أخرى



ملاحظة: الملاحظات، أو تلميحات الاستخدام، أو أي معلومات إضافية



بدء التشغيل

نبذة عن Level Link

يدعم Level Link وضع الاستقبال ووضع الإرسال. في وضع الاستقبال، يمكنك توصيل سماعات الأذن بـ Level Link واستخدامها كسماعة رأس بلوتوث للأجهزة التي تعمل بدعم بلوتوث، مثل الهواتف الذكية، أو أجهزة الكمبيوتر اللوحية. في وضع الإرسال، يمكنك استخدام الجهاز كـ دونجل يقوم بالتوصيل بأجهزة الكمبيوتر، والتلفزيون، وسماعات الرأس التي تعمل بدعم البلوتوث، والمزيد. في وضع الإرسال، يمكنك استخدام الميزات التالية:

- تشغيل S Voice
 - استقبال أو تلقي المكالمات
 - التحكم في ملفات الوسائط
- في وضع الإرسال، يمكنك تشغيل الصوت الخاص بجهاز الوسائط المتعددة المتصل.

محتويات العبوة

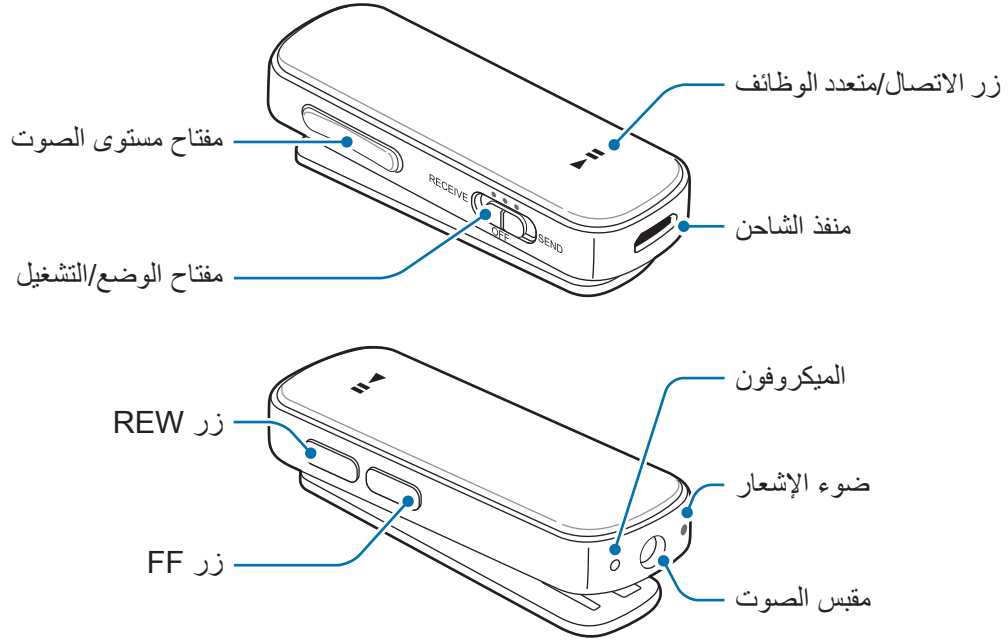
تحقق من وجود الأشياء التالية داخل علبة المنتج:

- الجهاز
- سماعات الرأس
- كبل USB
- كبل الصوت
- دليل التشغيل السريع



- قد تختلف العناصر المرفقة بجهازك وأي ملحقات متوفرة حسب منطقتك ومزوّد الخدمة الخاص بك.
- يتم تصميم العناصر المرفقة خصيصاً لهذا الجهاز، وقد لا تكون متوافقة مع أجهزة أخرى.
- المظاهر والمواصفات تخضع للتغيير بدون إشعار مسبق.
- يمكنك شراء ملحقات إضافية من موزع سامسونج المحلي. تأكد أنها متوافقة مع الجهاز قبل الشراء.
- استخدم الشواحن المعتمدة من قبل سامسونج فقط. استخدام الملحقات غير المعتمدة قد يؤدي إلى حدوث مشكلات في الأداء وأعطال لا يتم تغطيتها بواسطة الضمان.
- توفر جميع الملحقات يخضع للتغيير حسب الشركات المصنعة بشكل كامل. لمزيد من المعلومات حول الملحقات المتوفرة، راجع موقع سامسونج على الويب.

تصميم الجهاز



الأزرار والوظائف

الاسم	الوظيفة
مفتاح الوضع/التشغيل	<ul style="list-style-type: none"> • قم بالإزاحة إلى اليسار لتنشيط وضع الاستقبال، والإزاحة إلى اليمين لتنشيط وضع الإرسال. • قم بالإزاحة إلى OFF لإيقاف تشغيل الجهاز.
زر الاتصال/متعدد الوظائف	<ul style="list-style-type: none"> • في وضع الاستقبال، اضغط مع الاستمرار لمدة 1 ثانية لتشغيل S Voice. • في وضع الاستقبال، اضغط للرد أو قم بإنهاء المكالمات. • في وضع الاستقبال، اضغط مع الاستمرار لرفض المكالمات. • في وضع الاستقبال، اضغط مع الاستمرار لنقل المكالمات من Level Link إلى جهازك، أو بالعكس. • في وضع الاستقبال، اضغط لتشغيل ملفات الوسائط المتعددة أو لإيقاف تشغيلها. • في وضع الاستقبال، أو في وضع الإرسال، اضغط مع الاستمرار لمدة 3 ثواني للدخول إلى وضع إقران البلوتوث.
مفتاح مستوى الصوت	<ul style="list-style-type: none"> • في وضع الاستقبال، اضغط لضبط مستوى الصوت أثناء إجراء المكالمات. • في وضع الاستقبال، اضغط لضبط مستوى الصوت أثناء تشغيل ملفات الوسائط المتعددة.
الزر REW / الأزرار FF	<ul style="list-style-type: none"> • في وضع الاستقبال، اضغط لتشغيل ملف الوسائط المتعددة السابق أو التالي أثناء العرض. • في وضع الاستقبال، اضغط مع الاستمرار للترجيع، أو للتقديم السريع لملف الوسائط المتعددة أثناء العرض.

مؤشر الحالة

الحالة	اللون
وضع إقران البلوتوث	• الوميض باللون الأحمر، أو الأخضر، أو الأزرق
أوضاع التشغيل أو التنشيط	• الوميض باللون الأزرق 3 مرات
إيقاف التشغيل	• الوميض باللون الأحمر 3 مرات
المكالمة الواردة	• الوميض باللون الأزرق

شحن البطارية

قم بشحن البطارية قبل استخدام Level Link لأول مرة، أو في حالة عدم استخدام Level Link لفترات زمنية ممتدة.

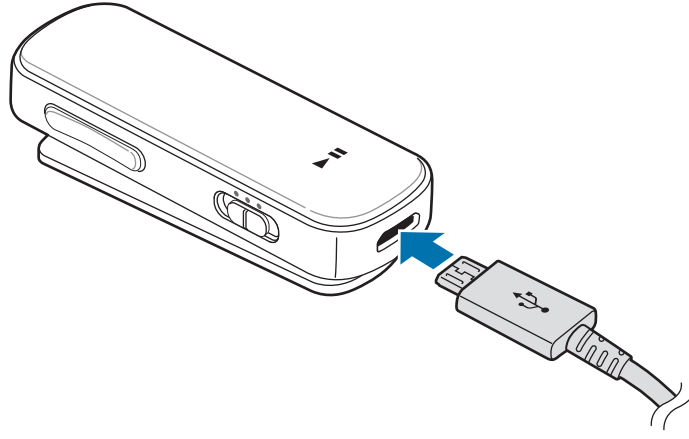
يجب استخدام الشواحن والكبلات والبطاريات المعتمدة من سامسونج فقط. يمكن للشواحن أو الكبلات غير المعتمدة أن تتسبب في انفجار البطاريات أو تلحق أضرارًا بسماعة الرأس.



في حالة فراغ شحن البطارية بالكامل، فإن سماعة الرأس لا يمكن تشغيلها على الفور عند توصيل الشاحن. اترك البطارية المستنزفة لكي تشحن لبضعة دقائق قبل تشغيل سماعة الرأس.



قم بتوصيل الجهاز بكمبيوتر أو بمهايئ طاقة USB عبر كابل USB.



قد يؤدي توصيل الشاحن بطريقة غير صحيحة إلى إلحاق تلفيات خطيرة بالجهاز. لا يغطي الضمان أية أضرار تنتج عن سوء الاستخدام.



- يمكن استخدام الجهاز أثناء شحنه، ولكن قد يستغرق الأمر زمنًا أطول لكي تشحن البطارية بالكامل.
- أثناء الشحن، قد ترتفع درجة حرارة الجهاز. ويعد هذا الأمر طبيعيًا ولا ينبغي أن يؤثر على عمر الجهاز أو على مستوى أدائه. في حالة ارتفاع درجة حرارة البطارية بشكل أكبر عن المعتاد، فقد يتوقف الشاحن عن الشحن.
- إذا لم يكن يجري شحن الجهاز بطريقة صحيحة، فخذ الجهاز والشاحن إلى مركز خدمة سامسونج.



بعد الشحن الكامل للبطارية، افصل الجهاز عن الشاحن. افصل الشاحن عن الجهاز، ثم افصله عن المقبس الكهربائي. لتوفير الطاقة، افصل الشاحن في حالة عدم استخدامه. لا يتوفر بالشاحن مفتاح التشغيل، لذا، يجب عليك فصل الشاحن عن المقبس الكهربائي في حالة عدم الاستخدام لتجنب استنفاد التيار. ينبغي أن يظل الشاحن قريباً من المقبس الكهربائي بحيث يسهل الوصول إليه أثناء الشحن.



فحص مستوى طاقة البطارية

اضغط مع الاستمرار على زر رفع مستوى الصوت والزر متعدد الوظائف في وقت واحد لمدة 1 ثانية. يومض ضوء الإشعار ثلاث مرات بألوان مختلفة، وذلك حسب حالة الشحن.

الحالة	اللون
أقل من ٣٠٪	• أحمر
من ٣٠ - ٦٠٪	• أصفر
أكثر من ٦٠٪	• أخضر

ارتداء الجهاز وسماعات الأذن

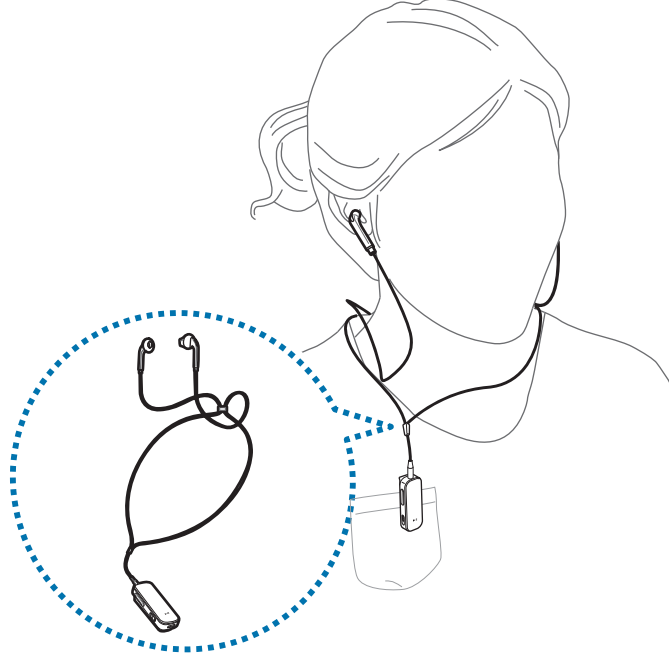
قم بتوصيل سماعات الأذن المرفقة بـ Level Link وقم بارتدائها حول رقبتك.

١ قم بتوصيل سماعات الأذن داخل مقبس الصوت في Level Link.

٢ اضبط مشبك سماعة الأذن من حلقة أكبر بما يكفي لكي تلائم حجم رأسك.

٣ أمسك Level Link على ملايسك.

٤ ارتد سماعات الأذن حول رقبتك وقم بتوصيل سماعات الأذن.



توخي الحذر عند استخدام هذا الجهاز مع سماعات أذن متصلة سلكيًا. قد تتعرض للاختناق في حالة التفاف سماعات الأذن حول رقبتك.



تشغيل جهازك وإيقاف تشغيله

- قم بتنشيط وضع الاستقبال.
- قم بتنشيط وضع الإرسال.
- أوقف تشغيل الجهاز.

اتبع جميع التحذيرات المنشورة والاتجاهات من أشخاص موثوق بهم في المناطق التي يحظر فيه استخدام الأجهزة اللاسلكية مثل الطائرات والمستشفيات.



استخدام الجهاز

البلوتوث

نبذة عن البلوتوث

البلوتوث عبارة عن معيار تكنولوجي لاسلكي يستخدم تردد ٢,٤ جيجاهرتز لتوصيل أجهزة عديدة عبر المسافات القصيرة. يمكنها توصيل وتغيير البيانات مع أجهزة البلوتوث الأخرى مثل أجهزة المحمول، وأجهزة الكمبيوتر، والطابعات، والأجهزة المنزلية الرقمية الأخرى بدون توصيل كابلات.

إشعارات استخدام البلوتوث

- لتجنب حدوث مشكلات عند توصيل الجهاز بجهاز آخر، ضع الأجهزة بالقرب من بعضها البعض.
- تأكد أن جهازك وجهاز بلوتوث الآخر موجودان في نطاق توصيل البلوتوث (١٠ م). قد تتغير المسافة حسب البيئة التي يتم استخدام الأجهزة بها.
- تأكد من عدم وجود أي عوائق بين سماعة الرأس والجهاز المتصل، بما في ذلك الأجسام البشرية أو الجدران أو الأركان أو الجسور.
- لا تلمس هوائي البلوتوث لجهاز متصل.
- يستخدم البلوتوث نفس التردد مثل بعض المنتجات الصناعية، والعلمية، والطبية، والتيار المنخفض وقد يحدث التداخل عند إجراء الاتصالات بالقرب من هذه الأنواع من المنتجات.
- بعض الأجهزة، وخصوصًا التي لم يتم اختبارها أو اعتمادها من قبل شركة Bluetooth SIG قد لا تكون متوافقة مع سماعة الرأس.
- لا تستخدم ميزة البلوتوث لأغراض غير قانونية (على سبيل المثال، إقران نسخ الملفات أو إجراء الاتصالات بطريقة غير مشروعة لأغراض تجارية).

توصيل أجهزة أخرى

جودة الصوت ونطاق الاستخدام بين Level Link والأجهزة الصوتية المتصلة قد تختلف حسب الأجهزة الصوتية التي تدعم البلوتوث.



التوصيل في وضع الاستقبال

يمكنك تلقي المكالمات الواردة أو الاستماع إلى ملفات الموسيقى عند توصيل Level Link بالأجهزة التي تدعم ميزة البلوتوث. عندما تقوم بتشغيل Level Link لأول مرة، فإنه يدخل إلى وضع الإقران باستخدام البلوتوث.

- عند إقران Level Link مع الأجهزة الأخرى عبر البلوتوث لأول مرة، فإن Level Link يتصل تلقائيًا بالأجهزة المقترنة. في حالة فشل Level Link في الاتصال، فإنه يدخل إلى وضع إقران البلوتوث.
- يمكن أن يخزن Level Link معلومات الجهاز لما يصل إلى ثمانية أجهزة. في حالة توصيل Level Link لما يزيد عن جهاز واحد، فإنه يتصل بأحدث الأجهزة المقترنة.

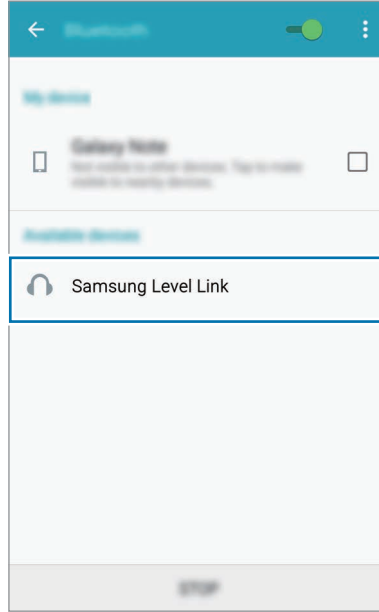


١ **Level Link** قم بإزاحة مفتاح التحويل إلى اليسار لتنشيط وضع الاستقبال.

٢ **Level Link** اضغط مع الاستمرار على الزر متعدد الوظائف لنحو ٣ ثواني للدخول إلى وضع الإقران عبر البلوتوث.

٣ **الأجهزة الأخرى** قم بتنشيط ميزة البلوتوث وابحث عن أجهزة البلوتوث. لمزيد من المعلومات، راجع دليل مستخدم الجهاز الآخر.

٤ الأجهزة الأخرى اضغط على Samsung Level Link من القائمة.



٥ Level Link قم بتوصيل سماعات الأذن بـ Level Link.

أو قم بتوصيل Level Link بمقبس الإدخال الإضافي لإخراج الأصوات عبر كبل صوت.

في هذا الوضع، في حالة قيامك بتوصيل Level Link عبر كبل صوت إلى جهاز تليفزيون، أو خرج الصوت بجهاز الكمبيوتر، فقد يتعرض Level Link للتلف.



التوصيل في وضع الإرسال

قم بتوصيل الجهاز بالمشغل متعدد الوسائط بواسطة كابل الصوت. يمكنك الاستماع إلى ملفات الوسائط عبر جهاز صوت آخر، مثل سماعة رأس البلوتوث. عندما تقوم بتشغيل Level Link لأول مرة، فإنه يدخل إلى وضع الإقران باستخدام البلوتوث.

- عند إقران Level Link مع الأجهزة الأخرى عبر البلوتوث لأول مرة، فإن Level Link يتصل تلقائيًا بالأجهزة المقترنة. في حالة فشل Level Link في الاتصال، فإنه يدخل إلى وضع إقران البلوتوث.
- يمكن أن يخزن Level Link معلومات الجهاز لما يصل إلى ثمانية أجهزة. في حالة توصيل Level Link لما يزيد عن جهاز واحد، فإنه يتصل بأحدث الأجهزة المقترنة.



١ **Level Link** قم بإزاحة مفتاح الأوضاع إلى اليمين لتنشيط وضع الإرسال.

٢ **Level Link** اضغط مع الاستمرار على الزر متعدد الوظائف لنحو ٣ ثواني للدخول إلى وضع الإقران عبر البلوتوث.

٣ **Level Link** ضع **Level Link** في خلال ٣٠ سم من الجهاز الصوتي المقترن.

قم بتوصيل كبل الصوت داخل مقبس الصوت الخاص بـ **Level Link**. في حالة فشل الاتصال، أوقف تشغيل الجهاز الصوتي وقم بتشغيله مرة أخرى. ثم، كرر الخطوات السابقة.

٤ قم بتوصيل كبل الصوت داخل مقبس دخل الصوت في **Level Link**. ثم، قم بتوصيل الطرف الآخر من كبل الصوت داخل مقبس إخراج الصوت في مشغل الوسائط المتعددة.



- طريقة التوصيل من خلال ميزة البلوتوث قد تختلف حسب الأجهزة المتصلة. لمزيد من المعلومات، راجع دليل المستخدم الخاص بالجهاز المتصل.
- عند توصيل **Level Link** بالتلفزيون في وضع الإرسال، فقد تحدث مشكلات في تزامن الشفافة. يوصى بتوصيل **Level Link** بتلفزيون يدعم ترميز aptX منخفض التأخير.
- عند استخدام **Level Link** مع مشغل الوسائط، اخفض صوت مشغل الوسائط أولاً قليلاً فصل كبل الصوت لكي تحول دون سماع الأصوات المفاجئة.
- قد تتعرض لتقطعات في الصوت أو لتشويش، وذلك حسب مستوى صوت مشغل الوسائط المتصل. لتجنب ذلك، اضبط صوت مشغل الوسائط بشكل مناسب.

توصيل أجهزة إضافية

في وضع الاستقبال، أو في وضع الإرسال، يمكن لـ Level Link توصيل ما يصل إلى جهازين عبر البلوتوث.

١ في وضع الاستقبال، أو في وضع الإرسال، قم بتوصيل Level Link إلى الجهاز الأول.

٢ قم بتوصيل Level Link بجهاز آخر عبر البلوتوث باستخدام طريقة التوصيل المستخدمة لأول جهاز.



- في وضع الاستقبال، إذا لم تظهر Level Link في قائمة الأجهزة المكتشفة، فاضغط مع الاستمرار على الزر متعدد الوظائف لنحو ٣ ثوانٍ للدخول إلى وضع إقران البلوتوث.
- في وضع الإرسال، يدعم Level Link برنامج الترميز aptX ذو زمن الانتقال البطيء عند اتصاله بجهاز صوتي واحد. عند Level Link تلقائيًا بجهاز صوتي، لا يتم دعم برنامج الترميز aptX وربما لا يحدث التزامن الصحيح لخروج الفيديو والصوت.
- في وضع الإرسال، فإن نطاق الاستخدام بين Level Link والأجهزة الأخرى قد يقل.

إعادة التوصيل أو الانفصال عن أجهزة أخرى

إعادة توصيل الأجهزة

عند فصل Level Link عن جهاز الصوت بسبب المسافة الفاصلة بين الأجهزة، احضر الأجهزة على مسافة قريبة من بعضها، واضغط على زر متعدد الوظائف لإقرانها مرة أخرى. أو، يمكنك استخدام قائمة البلوتوث في جهاز الصوت لإقران الأجهزة.

قطع توصيل الأجهزة

لفصل Level Link عن جهاز الصوت، أوقف تشغيل جهازك، أو قم بإقران الأجهزة أو إلغاء إقرانها. في حالة قيامك بتوصيل جهازين عبر كبل الصوت، افصل الكبل عن الجهازين.

استخدام أوضاع الاستقبال والإرسال

في وضع الاستقبال، يمكنك تشغيل S Voice، والرد على المكالمات، أو تشغيل ملفات الوسائط. في هذا الوضع، استخدم Level Link مع سماعات الأذن، أو قم بتوصيل Level Link بجهاز الصوت باستخدام كبل الصوت. في وضع الإرسال، يمكنك الاستماع إلى الصوت من مشغل الوسائط عبر جهاز الصوت المتصل.

• قد تختلف الميزات المتاحة حسب الجهاز الذي تتصل به. قد لا تتوفر بعض الميزات في حالة توصيل Level Link بجهازين في وقت واحد. 

- بعض الميزات قد تتوفر فقط عند توصيل Level Link بجهاز عبر Hands-Free Profile (HFP).
- يختلف موقع الميكروفون حسب كيفية ارتدائك لـ Level Link. وضع Level Link قد يؤثر على جودة الصوت أثناء إجراء المكالمات.

تشغيل S Voice

اضغط على الزر متعدد الوظائف لنحو 1 ثانية. في حالة قيامك بتوصيل S Voice لدعم الجهاز، فيمكنك استخدام التطبيق عبر Level Link.

الرد على المكالمات ورفضها

الرد على مكالمة

اضغط على زر الاتصال للرد على المكالمات التي يتم إجراؤها بالجهاز المتصل.

رفض مكالمة

اضغط مع الاستمرار على زر الاتصال لرفض المكالمات التي يتم إجراؤها بالجهاز المتصل.

استخدام الخيارات أثناء إجراء مكالمة

ضبط مستوى الصوت

أثناء إجراء مكالمة، اضغط على مفتاح مستوى الصوت لضبط مستوى الصوت.

تبديل خرج الصوت

اضغط مع الاستمرار على زر الاتصال لنقل المكالمات من Level Link إلى الجهاز المتصل. قد لا تتوفر هذه الميزة حسب الجهاز المتصل.

إنهاء مكالمة

اضغط على زر الاتصال لإنهاء المكالمة.

تشغيل ملفات الوسائط

قم بتشغيل ملفات الوسائط في وضع الاستقبال أو الإرسال. قد تختلف الميزات المتاحة حسب الوضع الذي تستخدمه.

تشغيل ملف الوسائط وإيقاف تشغيله

اضغط على الزر متعدد الوظائف لتشغيل أحدث ملف وسائط على الجهاز المتصل.

اضغط على الزر متعدد الوظائف لإيقاف العرض مؤقتًا. لاستئناف العرض، اضغط على الزر متعدد الوظائف مرة أخرى.

تخطي ملف الوسائط السابقة أو التالية

اضغط على الزر REW أو الزر FF للتخطي إلى الملف السابق أو التالي أثناء العرض.

الترجيع أو التقديم السريع لملف الوسائط

اضغط مع الاستمرار على الزر REW أو الزر FF للترجيع أو للتقديم السريع للملف أثناء العرض.

ضبط مستوى الصوت

اضغط على مفتاح مستوى الصوت لضبط مستوى الصوت.



- عند توصيل Level Link بجهازين، فيمكنك تشغيل ملفات الوسائط من أي جهاز. لتشغيل ملف الوسائط من جهاز آخر، أوقف تشغيل العرض مؤقتًا من الجهاز الآخر أولاً.
- عندما تقوم بتشغيل ملف الوسائط من جهاز، فيمكن أن تظل تردد على المكالمات من الجهاز الآخر.
- في حالة وجود اختلافات في الطاقة الناتجة لكبل الصوت وجهاز الصوت المتصل في وضع الإرسال، فإن مستوى الصوت في Level Link قد يختلف.

إجراء إعادة تعيين للبيانات

عند توصيل Level Link بجهاز عبر البلوتوث، فإن معلومات Level Link، مثل عنوان البلوتوث ونوع الجهاز، يتم تخزينها في الجهاز المتصل. لحذف معلومات اتصال Level Link، اضغط مع الاستمرار على الزر متعدد الوظائف لمدة 3 ثواني للدخول إلى وضع الإقران عبر البلوتوث. ثم اضغط مع الاستمرار على الأزرار REW، FF، ومتعدد الوظائف في وقت واحد لمدة 3 ثواني.

استكشاف المشكلات وإصلاحها

قبل الاتصال بمركز خدمة سامسونج، الرجاء محاولة استخدام الحلول التالية. لا تنطبق بعض المواقف على الجهاز لديك.

الجهاز لا يعمل

عندما تفرغ طاقة البطارية بالكامل، فلن يتم تشغيل الجهاز. قم بشحن البطارية بالكامل قبل تشغيل الجهاز.

البطارية لا تشحن بطريقة صحيحة (بالنسبة لأجهزة الشحن المعتمدة من سامسونج)

- تأكد أن الشاحن متصل بطريقة صحيحة.
- تفضل بزيارة مركز خدمة سامسونج واستبدل البطارية.

لا يمكن تحديد موقع جهاز بلوتوث آخر

- تأكد أن الجهاز في وضع إقران البلوتوث.
- أعد تعيين الجهاز وابحث عن أجهزة البلوتوث.
- تأكد أن جهازك وجهاز بلوتوث الآخر موجودان في نطاق توصيل البلوتوث (١٠ م). إذا لم تتمكن التلميحات أعلاه من حل المشكلة، فاتصل بمركز خدمة سامسونج.

لا يمكن تحقيق جهاز البلوتوث الآخر

- تأكد أن الجهاز الذي ترغب في الاتصال به يدعم ميزة البلوتوث اللاسلكي.
- تأكد أن الجهاز وجهاز بلوتوث الآخر موجودين في أقصى نطاق للبلوتوث (١٠ م).

وصلة البلوتوث مفصولة عادةً

- في حالة وجود عوائق بين الأجهزة، فإن مسافة التشغيل قد تقل.
- تأكد أن الجهاز وجهاز بلوتوث الآخر موجودين في أقصى نطاق للبلوتوث (١٠ م).
- عند استخدام الجهاز مع أجهزة بلوتوث الأخرى، فقد يتأثر الاتصال بواسطة الموجات الكهرومغناطيسية. استخدم الجهاز في بيئات يقل وجود أجهزة لاسلكية بها.

لا يمكنك سماع صوت الآخرين وهو يتحدثون إليك

- اضبط مستوى الصوت بالجهاز.
- اضبط مستوى الصوت في الجهاز المتصل إذا لم تتمكن من سماع أصوات في جهازك بأعلى مستوى صوتي.

يُسمع صوت صدى أثناء إجراء المكالمة

- اضبط مستوى الصوت بواسطة الضغط على مفتاح مستوى الصوت أو انتقل إلى منطقة أخرى.

لا يمكن للآخرين سماع صوتي أثناء إجراء المكالمة

- تأكد من عدم قيامك بتغطية الميكروفون المدمج بالهاتف.
- تأكد من وجود الميكروفون بالقرب من فمك.

جودة الصوت ضعيفة

- قد يتم تعطيل أجهزة الشبكة اللاسلكية بسبب المشكلات الموجودة في شبكة مزود الخدمة. تأكد من إبعاد الجهاز عن الموجات الكهرومغناطيسية.
- تأكد أن الجهاز وجهاز بلوتوث الآخر موجودين في أقصى نطاق للبلوتوث (١٠ م).

الجهاز يعمل بشكل مختلف عما هو موصوف في الدليل

- قد تختلف الوظائف المتاحة حسب الجهاز المتصل.
- بعض الميزات لا يمكن استخدامها عند توصيل جهازين بالجهاز في نفس الوقت.

تستنزف طاقة البطارية سريعًا عما كانت وقت شراء الجهاز

- عند تعرّض الجهاز أو البطارية لدرجات حرارة باردة للغاية أو ساخنة للغاية، فقد يقل الشحن المفيد.
- البطارية قابلة للاستهلاك وتقل كمية الشحن داخل البطارية بمرور الوقت.

حقوق الطبع والنشر

حقوق الطبع والنشر © ٢٠١٥ سامسونج للإلكترونيات

هذا الدليل محمي بموجب قوانين حقوق الطبع والنشر الدولية.

لا يجوز نسخ أي جزء من هذا الدليل هذا أو توزيعه أو ترجمته أو نقله بأي شكل أو بأي وسيلة، إلكترونية أو ميكانيكية، بما في ذلك التصوير والتسجيل، أو تخزين أي من معلومات بأي نظام تخزين أو استرجاع، دون الحصول على إذن خطي مسبق من سامسونج للإلكترونيات.

العلامات التجارية

- سامسونج وشعار شركة سامسونج عبارة عن علامات تجارية مسجلة لشركة سامسونج للإلكترونيات.
- يُعد Bluetooth® علامة تجارية مسجلة لشركة Bluetooth SIG, Inc. على مستوى العالم.
- جميع العلامات التجارية الأخرى وحقوق الطبع والنشر هي ملك لأصحابها.

اول این قسمت را بخوانید

لطفا قبل از استفاده از دستگاه خود برای اطمینان از استفاده ایمن و درست، این دفترچه راهنما را به دقت بخوانید.

- توضیحات بر اساس تنظیمات پیش فرض دستگاه هستند.
- تصاویر به کار رفته در این راهنما ممکن است بطور ظاهری با محصول واقعی تفاوت داشته باشند. محتوا ممکن است بدون اطلاع تغییر کند.

نمادهای آموزشی

هشدار: موقعیت هایی که می توانند به آسیب دیدن شما یا دیگران منجر شوند



احتیاط: موقعیت هایی که می توانند به آسیب دیدن دستگاه شما یا سایر تجهیزات منجر شوند



توجه: نکات، نکات استفاده یا اطلاعات تکمیلی



شروع استفاده

درباره Level Link

Level Link از حالت دریافت و حالت ارسال پشتیبانی می کند. در حالت دریافت، می توانید هدفون را به Level Link متصل کنید و به عنوان هدست بلوتوث برای دستگاه های با بلوتوث فعال مثل تلفن های هوشمند یا تبلت از آن استفاده کنید. در حالت ارسال، می توانید دستگاه را به عنوان یک دانگل استفاده کنید که به رایانه، تلویزیون، هدست های بلوتوث و موارد دیگر متصل می شود. در حالت دریافت، می توانید از ویژگی های زیر استفاده کنید:

- راه اندازی S Voice
 - دریافت و اتمام تماس ها
 - کنترل فایل های چند رسانه ای
- در حالت ارسال، می توانید صدای دستگاه چند رسانه ای متصل شده را پخش کنید.

محتویات بسته

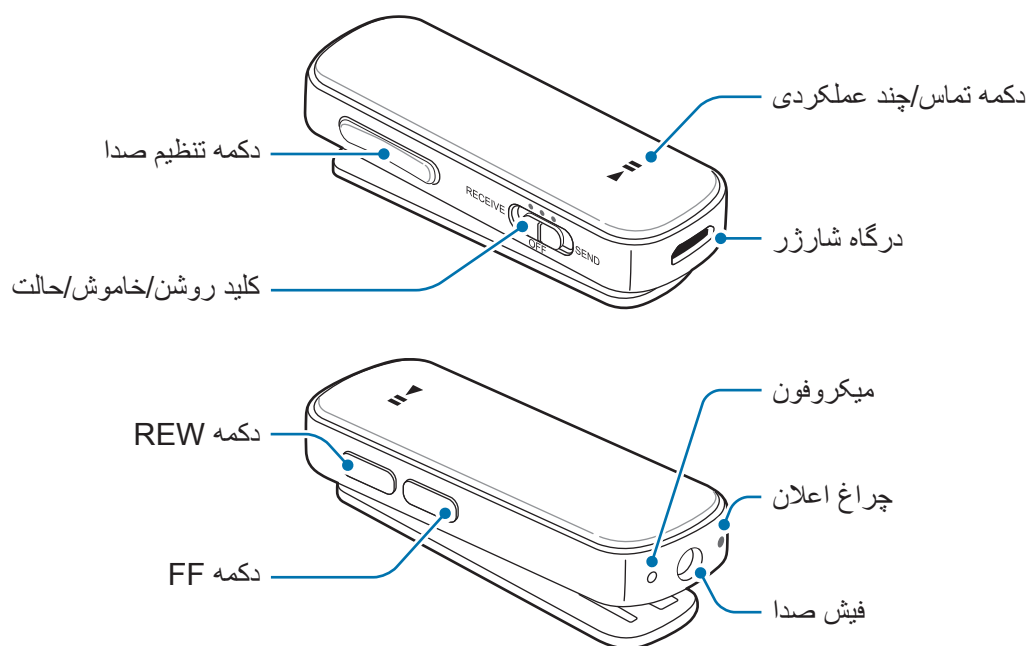
این موارد باید در جعبه محصول وجود داشته باشد:

- دستگاه
- هدفون
- کابل USB
- کابل صدا
- راهنمای شروع سریع



- اقلام ارائه شده به همراه دستگاه و لوازم جانبی موجود ممکن است بسته به منطقه یا ارائه دهنده خدمات متفاوت باشند.
- موارد ارائه شده فقط برای این دستگاه طراحی شده اند و ممکن است با دستگاه های دیگر سازگار نباشند.
- ظاهر و مشخصات می توانند بدون اطلاع قبلی تغییر کنند.
- می توانید لوازم جانبی اضافی را از فروشنده محلی سامسونگ خود خریداری کنید. قبل از خرید مطمئن شوید که لوازم جانبی با دستگاه سازگار هستند.
- فقط از لوازم جانبی مورد تأیید سامسونگ استفاده کنید. استفاده از لوازم جانبی تأیید نشده می تواند باعث ایجاد مشکلاتی در عملکرد و نقص هایی شود که تحت پوشش ضمانت نامه نیستند.
- در دسترس بودن کلیه لوازم جانبی مشمول تغییراتی است که تماماً به شرکت های سازنده وابسته است. برای اطلاعات بیشتر درباره لوازم جانبی در دسترس، به وب سایت سامسونگ مراجعه کنید.

نمای کلی دستگاه



دکمه ها و عملکرد

نام	عملکرد
کلید روشن/خاموش/ حالت	<ul style="list-style-type: none"> • برای فعال کردن حالت دریافت به چپ بلغزانید و برای فعال کردن حالت ارسال به راست بلغزانید. • برای خاموش کردن دستگاه، روی حالت OFF قرار دهید.
دکمه تماس/چند عملکردی	<ul style="list-style-type: none"> • در حالت دریافت، دکمه را فشار دهید و ۱ ثانیه نگه دارید تا S Voice راه اندازی شود. • در حالت دریافت، برای پاسخ به تماس یا اتمام آن، این دکمه را فشار دهید. • در حالت دریافت، برای رد کردن تماس، این دکمه را فشار دهید و نگه دارید. • در حالت دریافت، برای انتقال تماس ها از Level Link به دستگاه دیگران یا بالعکس، این دکمه را فشار دهید و نگه دارید. • در حالت دریافت، برای پخش یا توقف فایل های چند رسانه ای، این دکمه را فشار دهید. • در حالت دریافت یا حالت ارسال، این دکمه را فشار دهید و ۳ ثانیه نگه دارید تا به حالت جفت سازی بلوتوث وارد شود.
دکمه تنظیم صدا	<ul style="list-style-type: none"> • در حالت دریافت، برای تنظیم میزان صدا در طول تماس این دکمه را فشار دهید. • در حالت دریافت، برای تنظیم میزان صدا هنگام پخش فایل های چند رسانه ای این دکمه را فشار دهید.
دکمه REW / دکمه های FF	<ul style="list-style-type: none"> • در حالت دریافت، برای پخش فایل چند رسانه ای قبلی یا بعدی در طول پخش، این دکمه را فشار دهید. • در حالت دریافت، برای عقب یا جلو بردن سریع یک فایل چند رسانه ای در طول پخش، این دکمه را فشار دهید.

نشانهگر وضعیت

وضعیت	رنگ
حالت جفت سازی بلوتوث	<ul style="list-style-type: none"> • در رنگ های قرمز، سبز و آبی چشمک می زند
روشن کردن دستگاه یا فعال کردن حالت ها	<ul style="list-style-type: none"> • ۳ بار به رنگ آبی چشمک می زند
خاموش	<ul style="list-style-type: none"> • ۳ بار به رنگ قرمز چشمک می زند
تماس ورودی	<ul style="list-style-type: none"> • به رنگ آبی چشمک می زند

شارژ کردن باتری

قبل از استفاده از Level Link برای اولین بار یا وقتی Level Link برای مدت طولانی استفاده نشده است، باتری را شارژر کنید.

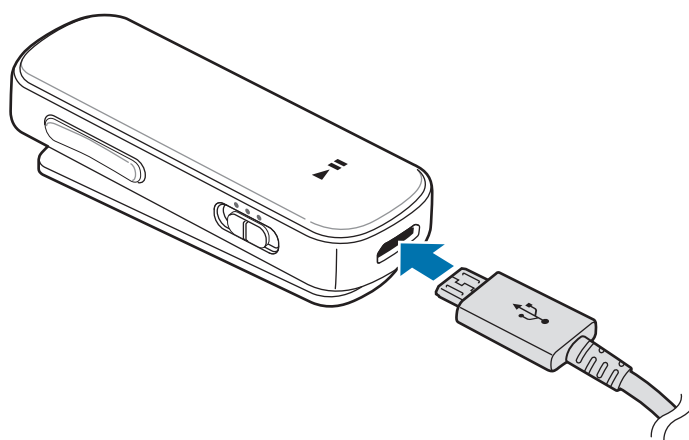
فقط از شارژر و باتری و کابل های مورد تأیید سامسونگ استفاده کنید. شارژر یا کابل های تأیید نشده می تواند باعث منفجر شدن باتری یا آسیب دیدن دستگاه شود.



اگر شارژر باتری کاملاً تخلیه شده باشد، همدست نمی تواند بلافاصله بعد از وصل شدن شارژر روشن شود. قبل از روشن کردن همدست، به باتری تخلیه شده اجازه دهید برای چند دقیقه شارژ شود.



دستگاه را از طریق کابل USB به رایانه یا آداپتور برق USB وصل کنید.



اتصال نادرست شارژر می تواند آسیب جدی به دستگاه وارد کند. ضمانت نامه، هر گونه آسیب ناشی از استفاده نادرست را تحت پوشش قرار نمی دهد.



دستگاه می تواند هنگام شارژ شدن استفاده شود، اما ممکن است شارژ شدن باتری بیشتر طول بکشد. ممکن است دستگاه هنگام شارژ شدن گرم شود. این موضوع عادی است و نباید طول عمر دستگاه یا عملکرد آن را تحت تأثیر قرار دهد. اگر باتری داغ تر از حالت عادی شد، ممکن است شارژر، عمل شارژ را متوقف کند.



اگر دستگاه به درستی شارژ نمی شود، دستگاه و شارژر را به مرکز خدمات سامسونگ نشان دهید.

بعد از شارژ شدن کامل باتری، دستگاه را از شارژر جدا کنید. نخست، شارژر را از دستگاه جدا کنید و سپس آن را از پریز برق جدا نمایید.

برای صرفه جویی در مصرف انرژی، بعد از استفاده از شارژر آن را از پریز جدا کنید. شارژر کلید روشن/خاموش ندارد، بنابراین هنگامی که به آن نیاز ندارید، برای جلوگیری از هدر رفتن انرژی آن را از پریز جدا کنید. هنگام شارژ کردن، شارژر باید به پریز نزدیک باشد و به راحتی در دسترس باشد.



بررسی سطح باتری

همزمان دکمه افزایش میزان صدا و دکمه چند عملکردی را فشار دهید و به مدت ۱ ثانیه نگه دارید. بنابر وضعیت شارژ شدن، چراغ اعلان سه بار در رنگ های متفاوت چشمک می زند.

وضعیت	رنگ
کمتر از ۳۰٪	• قرمز
۳۰ تا ۶۰٪	• زرد
بیشتر از ۶۰٪	• سبز

نحوه پوشیدن دستگاه و هدفون

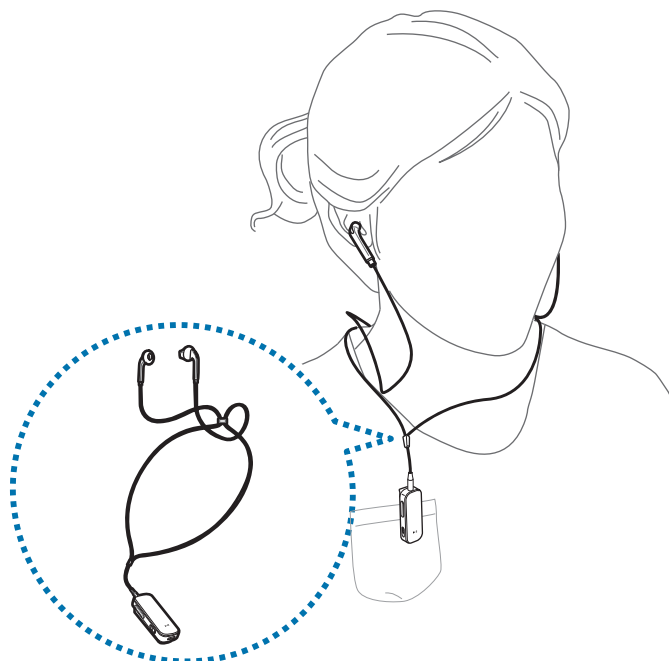
هدفون ارائه شده را به Level Link وصل کنید و آن را اطراف گردنتان قرار دهید.

۱ هدفون را به فیش صدای Level Link وصل کنید.

۲ گیره هدفون را طوری تنظیم کنید که حلقه ای با اندازه مناسب برای سر و گردن شما تشکیل دهد.

۳ Level Link را به لباستان وصل کنید.

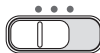
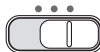

۴ هدفون را اطراف گردنتان قرار دهید و سر هدفون را وارد گوشتان کنید.



هنگام استفاده از این دستگاه با گوشی سیم دار مراقب باشید. پیچیده شدن هدفون دور گردن شما می تواند شما را خفه کند.



روشن و خاموش کردن دستگاه

- حالت دریافت را فعال کنید. 
- حالت ارسال را فعال کنید. 
- دستگاه را خاموش کنید. 

از همه هشدارها و دستورالعمل های تنظیم شده توسط پرسنل مجاز در مناطقی مثل هواپیما و بیمارستان که استفاده از دستگاه های بی سیم با محدودیت همراه است، پیروی کنید.



استفاده از دستگاه

بلوتوث

درباره بلوتوث

بلوتوث یک استاندارد فناوری بی سیم است که از فرکانس ۴/۲ گیگاهرتز برای متصل شدن به دستگاه های مختلف در فواصل کوتاه، استفاده می کند. بلوتوث می تواند به سایر دستگاه های دارای بلوتوث فعال مثل دستگاه های همراه، رایانه ها، چاپگرها و سایر لوازم خانگی دیجیتال بدون متصل شدن از طریق کابل، متصل شود و با آنها تبادل اطلاعات داشته باشد.

نکاتی درباره استفاده از بلوتوث

- برای اینکه هنگام اتصال دستگاهتان به دستگاه دیگر با مشکل روبرو نشوید، دستگاه ها را نزدیک یکدیگر قرار دهید.
- مطمئن شوید که دستگاه شما و دستگاه بلوتوث دیگر در محدوده پوشش بلوتوث (۱۰ متر) قرار دارند. ممکن است این فاصله بنابر محیطی که دستگاه ها استفاده می شوند، متفاوت باشد.
- مطمئن شوید که هیچ مانعی از جمله انسان، دیوار، گوشه یا حصار بین هدست شما و دستگاه متصل وجود ندارد.
- آنتن بلوتوث دستگاه متصل را لمس نکنید.
- بلوتوث از فرکانسی مشابه فرکانس برخی تجهیزات صنعتی، فنی یا پزشکی و محصولات کم نیرو استفاده می کند و هنگام اتصال در نزدیکی این گونه محصولات، ممکن است تداخل ایجاد شود.
- ممکن است بعضی از دستگاه ها، به ویژه آنهایی که توسط Bluetooth SIG آزمایش و تأیید نشده اند با دستگاه شما سازگار نباشند.
- از ویژگی بلوتوث برای اهداف غیرقانونی (برای مثال سرقت ادبی نسخه های فایل ها یا شنود ارتباطات برای اهداف تجاری) استفاده نکنید.

اتصال به سایر دستگاه ها

ممکن است کیفیت صدا و دامنه استفاده بین Level Link و دستگاه های صوتی متصل شده بنابر دستگاه های صوتی دارای بلوتوث فعال، متفاوت باشد.



برقراری اتصال در حالت دریافت

هنگامی که Level Link به دستگاه‌هایی با بلوتوث فعال متصل است، می‌توانید تماس‌های ورودی دریافت کنید یا به فایل های چند رسانه ای گوش دهید. وقتی برای اولین بار Level Link را روشن می‌کنید، وارد حالت جفت کردن بلوتوث می‌شود.

- هنگام جفت کردن Level Link با دستگاه های دیگر از طریق بلوتوث برای اولین بار، Level Link به صورت خودکار به دستگاه های جفت شده متصل می‌شود. اگر Level Link متصل نشد، به حالت جفت سازی بلوتوث وارد می‌شود.
- Level Link می‌تواند اطلاعات حداکثر هشت دستگاه را ذخیره کند. اگر Level Link به بیش از یک دستگاه متصل شده است، به جدیدترین دستگاهی که با آن جفت شده است، متصل می‌شود.

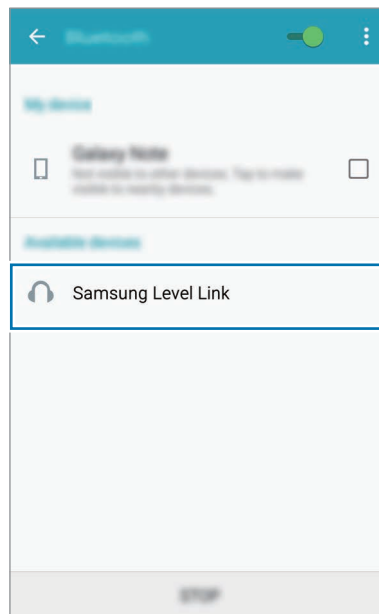


۱ **Level Link** کلید حالت را به چپ بلغزانید تا حالت ارسال فعال شود.

۲ **Level Link** برای وارد شدن به حالت جفت سازی بلوتوث، دکمه چند عملکردی را فشار دهید و تقریباً ۳ ثانیه نگه دارید.

۳ **دستگاه دیگر** ویژگی بلوتوث را در دستگاه فعال کنید و دستگاه های بلوتوث را جستجو کنید. برای اطلاعات بیشتر به دفترچه راهنمای دستگاه دیگر مراجعه کنید.

۴ دستگاه دیگر روی Samsung Level Link در لیست ضربه بزنید.



۵ Level Link هدفون را به Level Link وصل کنید.

یا اینکه Level Link را توسط یک کابل صدا به فیش ورودی کمی یک دستگاه خروجی صدا متصل کنید.

در این حالت، اگر Level Link را از طریق یک کابل صدا به فیش ورودی صدای رایانه یا تلویزیون وصل کنید، ممکن است به Level Link شما آسیب وارد شود.



برقراری اتصال در حالت ارسال

دستگاه خود را از طریق کابل صوتی به یک پخش کننده چندرسانه ای وصل کنید. می توانید از طریق دستگاه صوتی دیگر مانند هدست بلوتوث به فایل های چند رسانه ای گوش دهید. وقتی برای اولین بار Level Link را روشن می کنید، وارد حالت جفت کردن بلوتوث می شود.

• هنگام جفت کردن Level Link با دستگاه های دیگر از طریق بلوتوث برای اولین بار، Level Link به صورت خودکار به دستگاه های جفت شده متصل می شود. اگر Level Link متصل نشد، به حالت جفت سازی بلوتوث وارد می شود.



• Level Link می تواند اطلاعات حداکثر هشت دستگاه را ذخیره کند. اگر Level Link به بیش از یک دستگاه متصل شده است، به جدیدترین دستگاهی که با آن جفت شده است، متصل می شود.

۱ **Level Link** کلید حالت را به راست بلغزانید تا حالت دریافت فعال شود.

۲ **Level Link** برای وارد شدن به حالت جفت سازی بلوتوث، دکمه چند عملکردی را فشار دهید و تقریباً ۳ ثانیه نگه دارید.

۳ **Level Link** خود را در فاصله ۳۰ سانتی متری از دستگاه صوتی جفت شده قرار دهید. **Level Link** و دستگاه صوتی اکنون از طریق بلوتوث به هم وصل می شوند. اگر اتصال قرار نشد، دستگاه صوتی را خاموش و دوباره روشن کنید. سپس، مراحل بالا را تکرار کنید.

۴ کابل صدا را به فیش صدای **Level Link** وصل کنید. سپس طرف دیگر کابل صدا را به فیش ورودی صدای پخش کننده چند رسانه ای وصل کنید.



- ممکن است بنابر دستگاه های متصل شده، روش اتصال از طریق بلوتوث متفاوت باشد. برای اطلاعات بیشتر، به دفترچه راهنمای کاربر دستگاه متصل مراجعه کنید.
- زمانی که **Level Link** در حالت ارسال به تلویزیون وصل شد، ممکن است مشکلات **lipsync** (حرکات لب و دهان با کلمات ادا شده انیمیشن) روی دهد. توصیه می شود **Level Link** را به تلویزیونی که از کدک کم تأخیر **aptX** پشتیبانی می کند وصل کنید.
- هنگام استفاده از **Level Link** با پخش کننده چند رسانه ای، قبل از خارج کردن کابل صدا، میزان صدای پخش کننده چند رسانه ای را کم کنید تا از صدای بلند ناگهانی جلوگیری شود.
- بسته به میزان صدای پخش کننده چند رسانه ای متصل، ممکن است افت صدا یا نویز تجربه کنید. برای جلوگیری از این حالت، صدای پخش کننده چند رسانه ای را به طور مناسب تنظیم کنید.

افزودن دستگاه های دیگر

در حالت دریافت یا حالت ارسال، Level Link شما می تواند حداکثر به دو دستگاه از طریق بلوتوث وصل شود.

۱ در حالت دریافت یا در حالت ارسال، Level Link خود را به اولین دستگاه وصل کنید.

۲ با استفاده از روش استفاده شده برای دستگاه اول، دومین دستگاه را از طریق بلوتوث به Level Link متصل کنید.

- در حالت دریافت، اگر Level Link در لیست دستگاه های شناسایی شده ظاهر نمی شود، دکمه چند عملکردی را فشار دهید و برای حدوداً ۳ ثانیه نگه دارید تا به حالت جفت سازی بلوتوث وارد شوید.
- در حالت ارسال، Level Link هنگامی که به یک دستگاه صوتی متصل است از کدک aptX low-latency پشتیبانی می کند. اگر دو دستگاه صوتی بصورت همزمان به Level Link متصل باشند، از کدک aptX پشتیبانی نمی شود و خروجی ویدیو و صدا ممکن است با هم تنظیم نباشند.
- ممکن است در حالت ارسال، محدوده استفاده بین Level Link و دستگاه های دیگر کاهش یابد.



اتصال مجدد و عدم اتصال با سایر دستگاه ها

اتصال مجدد دستگاه ها

زمانی که اتصال Level Link به دلیل فاصله بین دستگاه ها از دستگاه صوتی قطع می شود، دستگاه ها را به هم نزدیک تر کنید و دکمه چند عملکردی را برای جفت سازی مجدد آنها فشار دهید. یا می توانید از منوی بلوتوث روی دستگاه صوتی برای جفت سازی دستگاه ها استفاده کنید.

قطع اتصال دستگاه ها

برای قطع اتصال Level Link از دستگاه صوتی، دستگاه خود را خاموش کنید یا دستگاه ها را از حالت جفت سازی خارج کنید. اگر دو دستگاه را از طریق کابل به هم وصل کرده اید، کابل را از هر دو دستگاه جدا کنید.

استفاده از حالت های دریافت و ارسال

در حالت دریافت، می توانید S Voice را راه اندازی کنید، به تماس های ورودی پاسخ دهید یا فایل های چند رسانه ای پخش کنید. در این حالت، از Level Link خود با هدفون استفاده کنید یا با استفاده از کابل صدا، Level Link را به یک دستگاه صوتی متصل کنید.

در حالت ارسال، می توانید از طریق دستگاه صوتی متصل شده به صوت از پخش کننده چند رسانه ای گوش دهید.



- ممکن است ویژگی های در دسترس بنابر دستگاهی که به آن متصل می شوید، متفاوت باشد. اگر Level Link همزمان به دو دستگاه متصل باشد، ممکن است برخی از ویژگی ها در دسترس نباشند.
- برخی از ویژگی ها تنها زمانی در دسترس هستند که Level Link از طریق نمایه هندزفری (HFP) به یک دستگاه متصل شود.
- بسته به نحوه پوشیدن Level Link، محل میکروفون متفاوت است. ممکن است موقعیت Level Link، کیفیت صدا در طول تماس های تلفنی را تحت تأثیر قرار دهد.

راه اندازی S Voice

دکمه چند عملکردی را به مدت ۱ ثانیه فشار دهید. اگر دستگاه متصل شده از S Voice پشتیبانی کند، می توانید از طریق Level Link از این برنامه استفاده کنید.

پاسخ دادن به تماس ها و رد کردن آنها

پاسخگویی به تماس

برای پاسخ دادن به تماس های برقرار شده با دستگاه متصل، دکمه تماس را فشار دهید.

رد کردن یک تماس

برای رد کردن تماس های برقرار شده با دستگاه متصل، دکمه تماس را فشار دهید.

استفاده از گزینه های در طول تماس

تنظیم میزان صدا

در طول تماس، برای تنظیم میزان صدا، دکمه تنظیم صدا را فشار دهید.

جابجا کردن خروجی صدا

برای انتقال تماس ها از Level Link به دستگاه متصل، دکمه تماس را فشار دهید و نگه دارید. ممکن است بنابر دستگاه متصل، این ویژگی در دسترس نباشد.

اتمام یک تماس

برای پایان دادن به تماس، دکمه تماس را فشار دهید.

پخش فایل های چند رسانه ای

در حالت دریافت یا ارسال، فایل های چند رسانه ای پخش کنید. ممکن است ویژگی های در دسترس بنابر حالتی که استفاده می کنید، متفاوت باشد.

پخش و متوقف کردن فایل چند رسانه ای

برای پخش جدیدترین فایل چند رسانه ای در دستگاه متصل، دکمه چند عملکردی را فشار دهید. برای توقف موقت پخش، دکمه چند عملکردی را فشار دهید. برای از سرگیری پخش، دکمه چند عملکردی را فشار دهید.

رد شدن به فایل چند رسانه ای قبلی یا بعدی

برای رد شدن به فایل قبلی یا بعدی در طول پخش، دکمه REW یا دکمه FF را فشار دهید.

عقب یا جلو بردن سریع فایل چند رسانه ای

برای عقب یا جلو بردن سریع فایل هنگام پخش، دکمه REW یا دکمه FF را فشار دهید.

تنظیم میزان صدا

برای تنظیم میزان صدا، دکمه تنظیم صدا را فشار دهید.



- وقتی Level Link به دو دستگاه متصل است، می توانید فایل های چند رسانه ای را از هر دو دستگاه پخش کنید. برای پخش فایل چند رسانه ای از دستگاه متفاوت، نخست پخش از دستگاه دیگر را متوقف کنید.
- وقتی فایل چند رسانه ای از یک دستگاه را پخش می کنید، همچنان می توانید به تماس های برقرار شده با دستگاه دیگر پاسخ دهید.
- اگر در توان خروجی کابل صدا و دستگاه صوتی متصل در حالت ارسال تفاوت وجود داشته باشد، ممکن است میزان صدا در Level Link متفاوت باشد.

انجام بازنشانی اطلاعات

وقتی Level Link شما از طریق بلوتوث به یک دستگاه متصل است، اطلاعات Level Link مثل آدرس بلوتوث و نوع دستگاه در دستگاه متصل ذخیره می شود. برای حذف اطلاعات اتصال Level Link، دکمه چند عملکردی را فشار دهید و به مدت تقریباً ۳ ثانیه نگه دارید تا به حالت جفت سازی بلوتوث وارد شوید. سپس، همزمان دکمه های REW، FF و چند عملکردی را فشار دهید و به مدت تقریباً ۳ ثانیه نگه دارید.

عیب یابی

قبل از تماس با مرکز خدمات سامسونگ، لطفاً راه حل های زیر را امتحان کنید. ممکن است بعضی از شرایط برای دستگاه شما کاربرد نداشته باشند.

دستگاه روشن نمی شود

وقتی شارژ باتری کاملاً تخلیه می شود، دستگاه شما روشن نمی شود. قبل از روشن کردن دستگاه، باتری را کاملاً شارژ کنید.

باتری درست شارژ نمی شود (هنگام استفاده از شارژرهای مورد تأیید سامسونگ)

- مطمئن شوید شارژر به درستی متصل شده است.
- به مرکز خدمات سامسونگ مراجعه کنید و باتری را تعویض کنید.

دستگاه بلوتوث دیگر نمی تواند دستگاه شما را شناسایی کند

- مطمئن شوید که دستگاهتان در حالت جفت سازی بلوتوث است.
- بعد از بازنشانی دستگاه، دستگاه های بلوتوث را جستجو کنید.
- مطمئن شوید که دستگاه شما و دستگاه بلوتوث دیگر در محدوده پوشش بلوتوث (۱۰ متر) قرار دارند.
- اگر نکات بالا مشکل را رفع نکرد، با مرکز خدمات سامسونگ تماس بگیرید.

دستگاه بلوتوث دیگر شناسایی نمی شود

- اطمینان حاصل کنید که دستگاهی که می خواهید به آن وصل شوید از ویژگی بی سیم بلوتوث پشتیبانی می کند.
- اطمینان حاصل کنید که دستگاه شما و دستگاه بلوتوث دیگر در محدوده پوشش بلوتوث (۱۰ متر) قرار دارد.

اتصال بلوتوث اغلب قطع می شود

- در صورت وجود مانع بین دو دستگاه، محدوده پوشش ممکن است کاهش یابد.
- اطمینان حاصل کنید که دستگاه شما و دستگاه بلوتوث دیگر در محدوده پوشش بلوتوث (۱۰ متر) قرار دارد.
- هنگام استفاده از دستگاه با دستگاه های بلوتوث دیگر، ممکن است اتصال تحت تأثیر موج های الکترومغناطیسی قرار بگیرد. از دستگاه در محیط هایی استفاده کنید که دستگاه های بی سیم کمتری در آن وجود دارد.

صدای مخاطب در تماس تلفنی شنیده نمی شود

- میزان صدا را تنظیم کنید.
- وقتی میزان صدای دستگاه شما حداکثر است و نمی توانید صدایی بشنوید، میزان صدا را در دستگاه متصل تنظیم کنید.

هنگام تماس، صدا اکو می شود

میزان صدا را با فشار دادن دکمه تنظیم صدا تنظیم کنید یا به مکان دیگری بروید.

مخاطب، صدای شما را در تماس تلفنی نمی شنود

- مطمئن شوید که میکروفون داخلی را نپوشانده اید.
- مطمئن شوید که میکروفون به دهان شما نزدیک است.

کیفیت صدا ضعیف است

- ممکن است به علت مشکلاتی با شبکه ارائه دهنده سرویس، خدمات شبکه بی سیم غیرفعال شده باشد. حتما دستگاه را دور از امواج الکترومغناطیسی قرار دهید.
- اطمینان حاصل کنید که دستگاه شما و دستگاه بلوتوث دیگر در محدوده پوشش بلوتوث (۱۰ متر) قرار دارد.

عملکرد دستگاه با آنچه در دفترچه راهنما توضیح داده شده، متفاوت است

- ممکن است عملکردهای در دسترس بنابر دستگاه متصل متفاوت باشد.
- وقتی همزمان دو دستگاه به این دستگاه متصل هستند، بعضی از ویژگی ها نمی توانند استفاده شوند.

شارژ باتری نسبت به قبل، سریع تر تخلیه می شود

- اگر دستگاه یا باتری را در معرض دمای خیلی سرد یا خیلی گرم قرار دهید، ممکن است شارژ مفید کاهش یابد.
- باتری یک ماده مصرف شدنی است و شارژ مفید آن با گذشت زمان کمتر می شود.

حق نسخه برداری

Copyright © 2015 Samsung Electronics

این دفترچه راهنما تحت حفاظت قوانین حق نسخه برداری بین المللی است.

هیچ بخشی از این دفترچه راهنما نمی تواند بدون اجازه کتبی قبلی از Samsung Electronics به هر شکل و از طریق هر وسیله الکتریکی یا مکانیکی از جمله فتوکپی، ضبط یا ذخیره کردن در فضای ذخیره سازی اطلاعات و سیستم های بازیابی اطلاعات، تکثیر، توزیع، ترجمه یا منتقل شود.

علامت های تجاری

- سامسونگ و لوگوی سامسونگ علامت های تجاری ثبت شده Samsung Electronics هستند.
- Bluetooth® یک علامت تجاری ثبت شده شرکت Bluetooth SIG, Inc. در سراسر دنیا است.
- دیگر علامت های تجاری و حق نسخه برداری، تحت تملک صاحبان مربوطه آنها است.