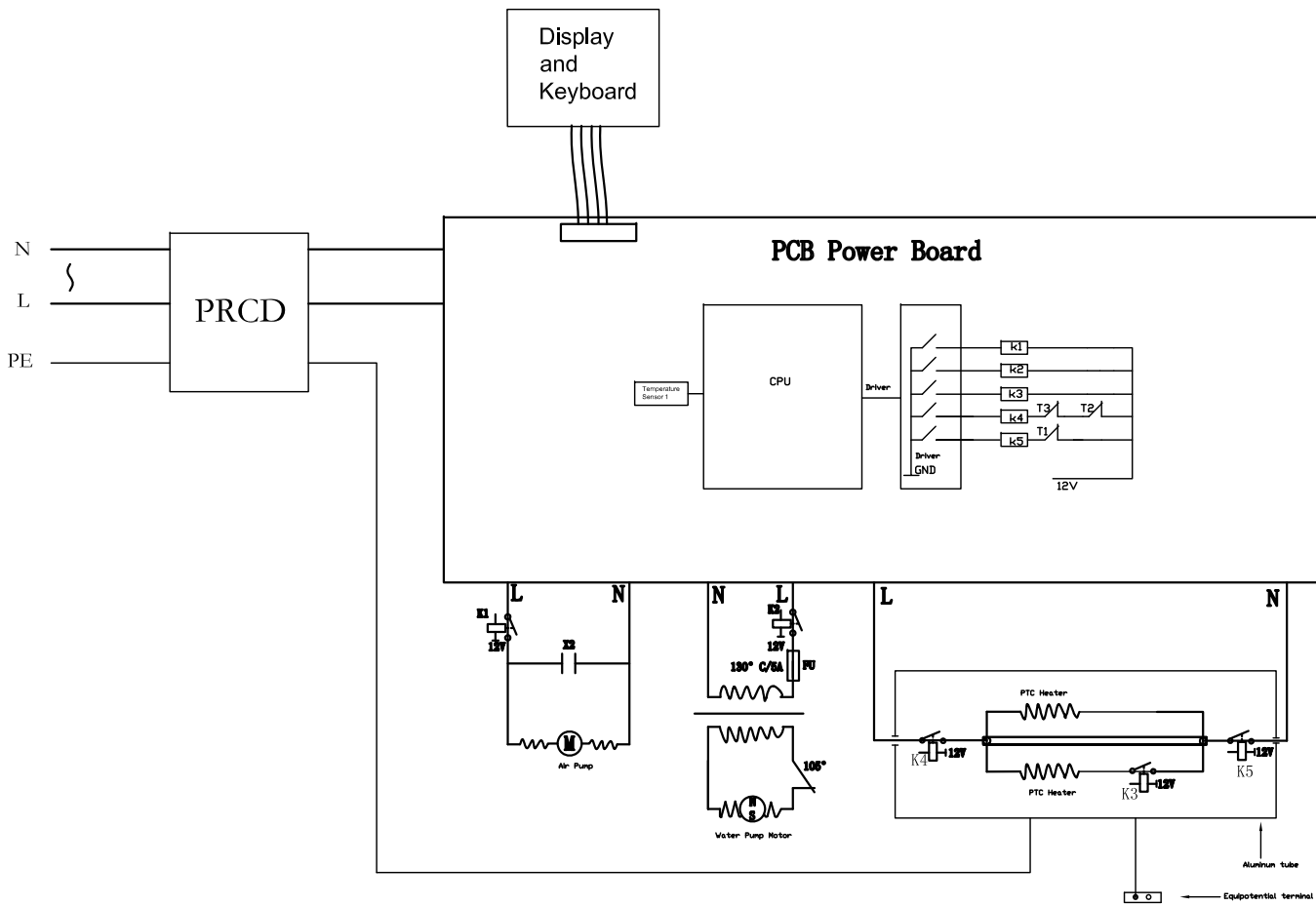


220-240VAC/50HZ

PCB Showing Board



- T1: Flow Switch
- T2: 55° C Hand Reset Temperature Controller (手动复位温控器)
- T3: 104° C Thermal fuse