

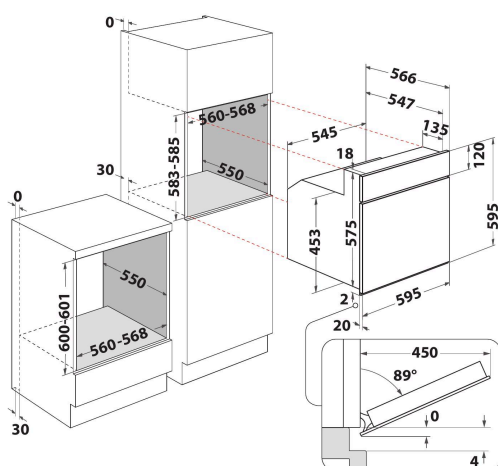
# AKP 469/IX

12NC: 857746901500

GTIN (EAN) code: 8003437935121

Whirlpool

SENSING THE DIFFERENCE



- Energy class A
- Cavity 65 L
- Defrost function
- Grill
- Easy Clean Enamel Interior
- Turbo grill function
- Pastry function
- Conventional Cooking
- Metal handle
- Door Glasses Number: 2
- Protuding handle
- Timer
- Grill 1400 W
- 1 Grid
- 2 Trays
- Digital display (Invensys)
- Float Glass and N/A Bottom Front Trim

## Whirlpool built in electric oven: inox color - AKP 469/IX

This Whirlpool built in Oven features: advanced electric technology allowing you to cook dishes saving energy. Halogen lamp allowing a more energy-efficient performance.



### Multifunction 5

Multiple cooking methods. The Multifunction 5 feature offers flexible cooking options, to ensure perfect results, whatever the recipe.



### Standard cavity

This Whirlpool Oven features a standard-size cavity.



### Energy class

Outstanding energy savings. Ovens with an A/ A+ energy rating offer an excellent level of energy efficiency, ensuring lower consumption and saving you money on your energy bills.



### Energy class A

Energy efficient. With its A energy rating, this Whirlpool appliance will allow you to enjoy both ideal performance and excellent energy consumption.

# AKP 469/IX

12NC: 857746901500

GTIN (EAN) code: 8003437935121

# Whirlpool

SENSING THE DIFFERENCE

## MAIN FEATURES

Product group	Oven
Commercial code	AKP 469/IX
Main colour of product	Inox
Construction type	Built-in
Type of control	Mechanical and electronic
Type of control settings	-
Are any hobs controls integrated?	No
Which kind of hobs can be controlled?	-
Automatic programmes	Yes
Current (A)	13
Voltage (V)	220-240
Frequency (Hz)	50/60
Length of Electrical Supply Cord (cm)	90
Plug type	No
Depth with open door 90 degree (mm)	-
Height of the product	595
Width of the product	595
Depth of the product	564
Minimum niche height	0
Minimum niche width	0
Niche depth	0
Net weight (kg)	34
Usable volume (of cavity)	65
Integrated Cleaning system	No
Grids of the cavity	1
Trays	2

## TECHNICAL FEATURES

Timer	-
Time control	Electronic
Time-setting options	Start and Stop
Safety device	-
Interior light	Yes
Number of interior lights of the cavity	1
Position of interior lights of the cavity	Rear
Oven guides of the cavity	Grids
Probe of the cavity	No

## PERFORMANCES

Energy input	Electric
Type of energy of the cavity	Electricity
Energy efficiency class - NEW (2010/30/EU)	A
Energy consumption per cycle conventional - NEW (2010/30/EU)	0.78
Energy consumption per cycle forced air convection - NEW (2010/30/EU)	0.87

**ENERG** Y UA  
енергия · ενεργεια IE 1A

**WHIRLPOOL** AKP 469/IX

A+++  
A++  
A+  
A  
B  
C  
D

**A**

65 L

0.78 kWh/cycle\*

0.87 kWh/cycle\*

\* ημερησίο κύκλος - parhion - zyklos - nelypnyayua - ciclo - tsükkel - ohjelma - ciklus - cikls - ciklu - cyclus - cykl - ciclu - program - cykel

65/2014