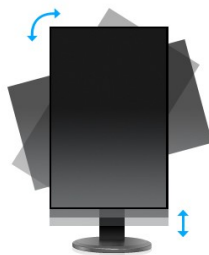


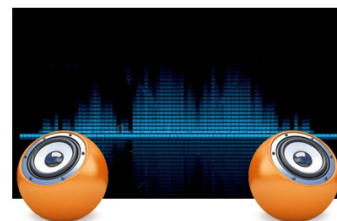


The Prolite B2780HSU is a 27" Full HD monitor with a low power LED-backlit display. It features a stunning 1 ms Response Time, 4 Port USB Hub, a High Definition 1920 x 1080 Resolution and comes with VGA, DVI and HDMI connections. The 12 000,000:1 Advanced Contrast Ratio and 300 cd/m<sup>2</sup> brightness offer the user clear and vivid images. The ergonomic stand offers 11cm height adjustment with pivot and swivel, making this screen suitable for a wide range of applications and environments where workplace flexibility and ergonomics are key factors . The Prolite B2780HSU is an excellent choice for Universities, Corporate, Financial and Design Markets.



### HAS + PIVOT

With a height adjustable stand you will create an ergonomic work posture and position that meets all health and safety requirements. This will not only prevent any health issues but will also increase your productivity. The pivot function allows the screen to rotate from landscape to portrait orientation. This functionality can be useful if the application requires more height than width.



### SPEAKERS

This LED monitor is equipped with two high quality stereo speakers.

## 1. DISPLAY CHARACTERISTICS

ASPECT RATIO	16 : 9
PANEL	TN LED, matte finish
NATIVE RESOLUTION	Full HD 1080p, 1920 x 1080 ( 2.1 megapixel)
BRIGHTNESS	300 cd/m <sup>2</sup> typical
STATIC CONTRAST	1200 : 1 typical
ADVANCED CONTRAST	12 000 000 : 1 ACR
RESPONSE TIME	1 ms
VIEWING ZONE	horizontal/vertical: 170° / 160° ; right/left: 85° / 85° ; up/down: 80° / 80°
DISPLAY COLOUR	16.7 million
BLUE LIGHT REDUCER	yes
DISPLAY AREA H X W	336.2 x 597.6 mm; 13.2" x 23.5"
PIXEL PITCH H X V	0.3113 x 0.3113 mm
HORIZONTAL SYNC	24 - 80 KHz
VERTICAL SYNC	56 - 75 Hz
SYNCHRONIZATION	Separate Sync

## 2. INTERFACES / CONNECTORS / CONTROLLERS

ANALOG INPUT CONNECTOR	VGA
DIGITAL INPUT CONNECTOR	DVI-D, HDMI
HDCP	yes
HEADPHONE CONNECTOR	yes
OUTPUT CONNECTOR	headphone socket
USB HUB	UP 1 x USB 2.0 / DOWN 4 x USB 2.0
OTHER	USB (x4)

## 3. FEATURES

APPLE - MAC	All iiyama monitors are compatible with Apple-Macintosh computers.
PLUG & PLAY	VESA DDC2B™
CONTROLS	Via OSD in 9 languages (EN, DE, FR, ES, IT, PT, Chinese, RU, JP) and 5 front controls (Power, Menu/ Select, +/- Volume, -/ ECO, Auto)
USER CONTROLS	luminance (contrast, brightness, ECO, i-style Colour, ACR), image setup (clock, phase, H. position, V. position, aspect), colour adjust (colour temperature, gamma, sRGB), OSD setup (H. position, V. position, time out, language), others (reset, signal select, HDMI audio, OD, information), volume, auto adjust
SPEAKERS	2 x 2 W (Stereo)
ANTI-THEFT-DEVICE	Kensington-lock™ prepared
CERTIFICATES	CE, TCO 6, TUV-Bauart
HEIGHT ADJUSTABLE STAND	Yes
HEIGHT ADJUSTMENT	110 mm

ROTATION (PIVOT FUNCTION)	90°
SWIVEL STAND	340°; 170° left; 170° right
TILT ANGLE	22° up; 4° down
VESA MOUNTING	100 x 100 mm
COLOUR	White

## 4. ACCESSORIES

INCLUDED ACCESSORIES	power cable, DVI-D cable, audio cable, USB cable, stand, screw (x2), quick start guide, safety guide
----------------------	--

## 5. POWER MANAGEMENT

POWER SUPPLY	AC 100 - 240 V, 50 / 60 Hz
POWER SUPPLY UNIT	internal
POWER USAGE	37 W typical; max. 1 W in Power management mode
POWER MANAGEMENT	VESA DPMS

## 6. EU ENERGY EFFICIENCY LABEL

ENERGY EFFICIENCY CLASS	B
ON MODE POWER CONSUMPTION	31.3W
ANNUAL ENERGY CONSUMPTION	46 kWh/annum*
VISIBLE SCREEN DIAGONAL	69 cm; 27"; ( 27" segment )

*This is information under Regulation (EU) No 1062/2010.*

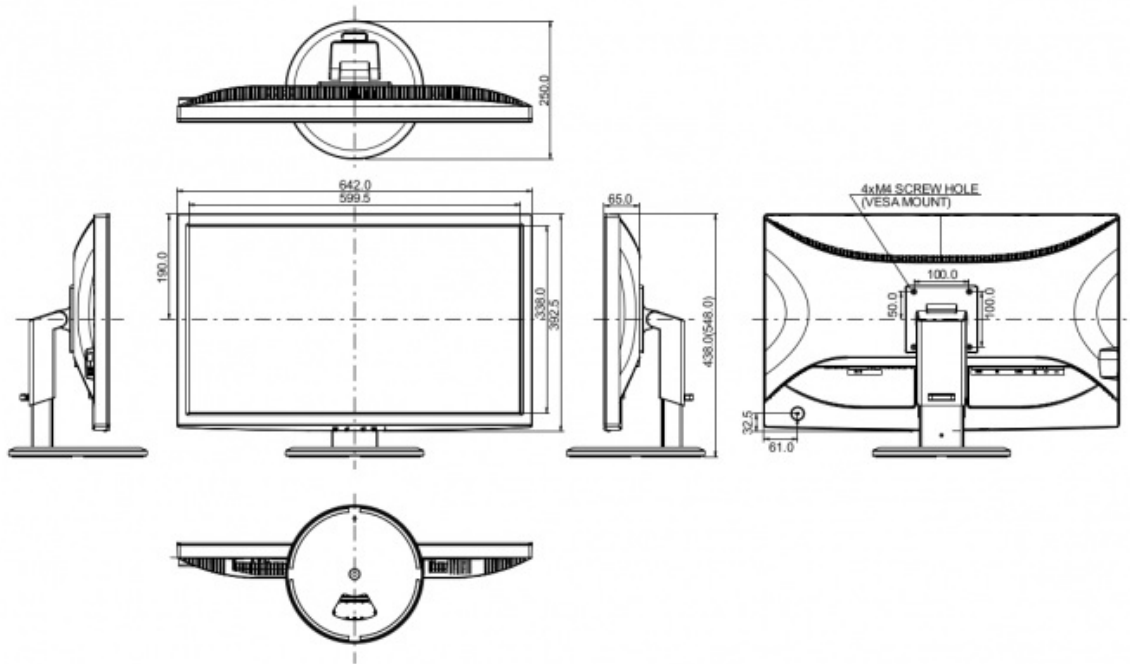
*\*Based on the power consumption of the television operating 4 hours per day for 365 days. The actual energy consumption will depend on how the television is used.*

## 7. EPEAT SILVER

EPEAT	EPEAT is a comprehensive environmental rating that helps identify greener computers and other electronic equipment. The Silver certification means the monitor meets all required criteria plus at least 50% of the optional requirements. EPEAT Silver is valid in countries where iiyama registers the product. Please visit <a href="http://www.epeat.net">www.epeat.net</a> for the registration status in your country.
-------	--

## 8. DIMENSIONS / WEIGHT

DIMENSIONS W X H X D	642 x 438 (548) x 250 mm
WEIGHT	8 kg



All trademarks and registered trademarks acknowledged. E & O E. Specification subject to change without notice. All LCD's comply with ISO-9241-307:2008 in connection with pixel defects.

© IIYAMA CORPORATION ( ). ALL RIGHTS RESERVED.