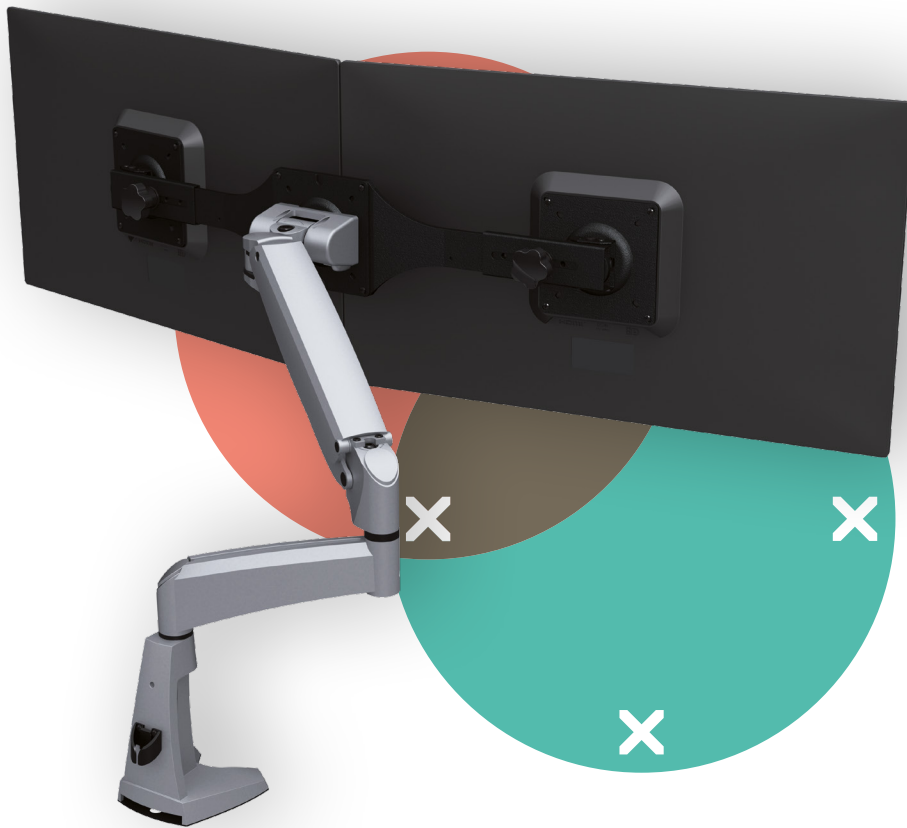


viewmaster^x



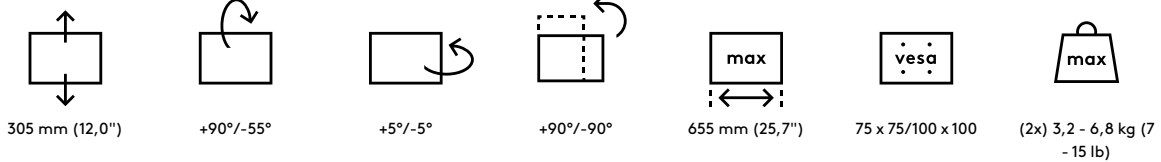
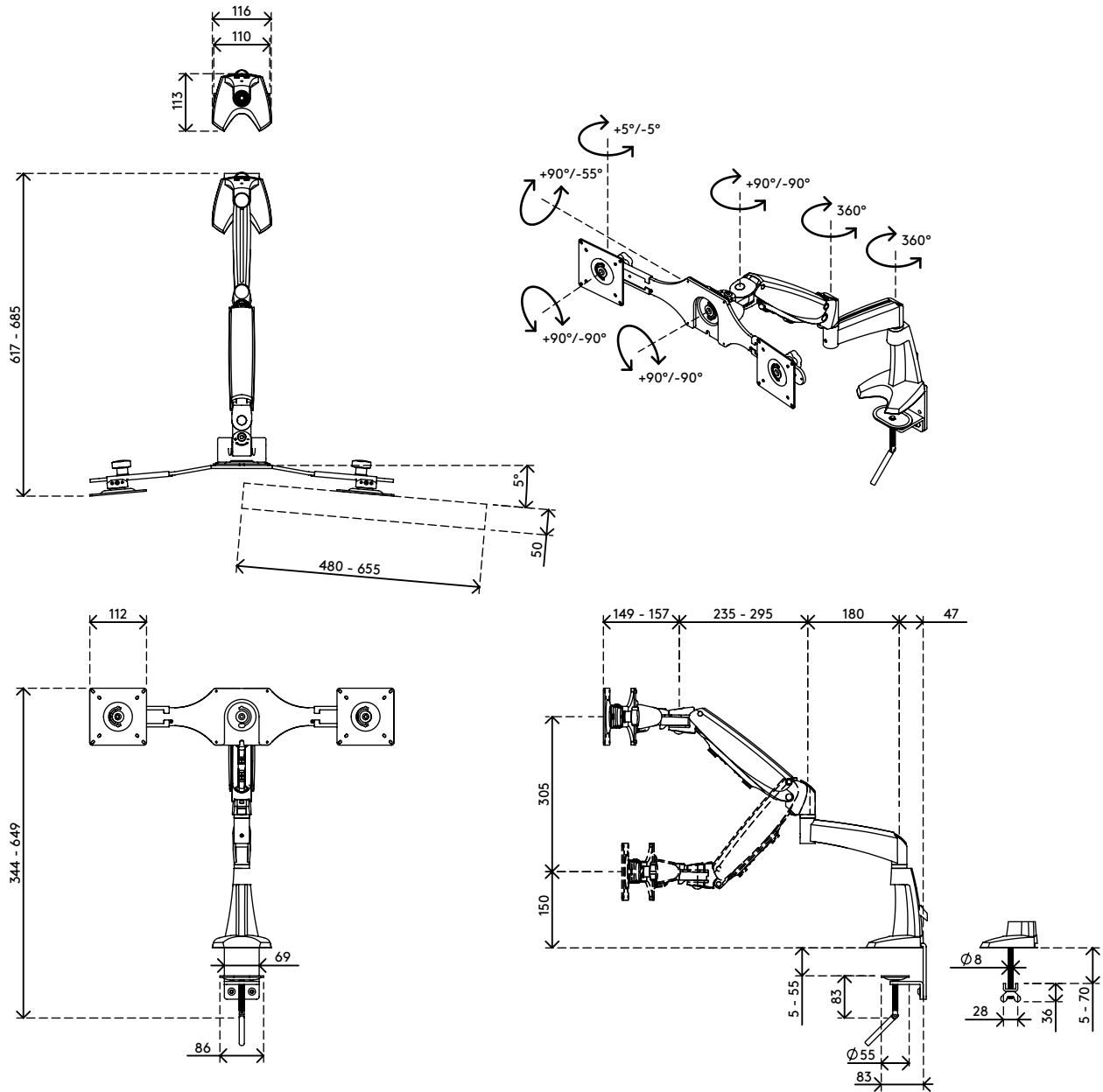
57.162

Viewmaster monitor arm - desk 162

The dual monitor set-up with dynamic height adjustment and independent depth adjustment let each user find their own optimal ergonomic position. A high-end design for lighter monitors, that guides cables along the arm's extensions to create a tidy, professional impression.

- Dynamic height adjustment range of 305 mm (12,0")
- Independent depth adjustment
- Partly integrated or concealed cable management
- Main components made of aluminium
- VESA MIS-D 75 x 75/100 x 100 mm compatible
- Monitor: tilt +90°/-55°, swivel +5°/-5°, rotate +90°/-90°
- Arm: swivel 360°
- Weight capacity min. 3,2 - max. 6,8 kg (7 - 15 lb) per monitor
- Comes with a desk clamp mount and bolt-through desk mount
- Suitable for a desktop thickness of 5 up to 55 (0,2" - 2,2") (clamp) or 70 mm (2,8") (bolt through)
- Monitor size limit: width 655 - height 886 mm (34,9")
- Supports monitors in portrait and landscape mode
- Built-in SUSPA® gas spring
- Listed weight capacity will vary when mounting monitors that are deeper than 25 mm (1,0") or have an off-centre VESA mount position

viewmaster



Viewmaster monitor arm - desk 162

2019/11/19


57.162

 820 x 380 x 135 mm

 1 pcs

 silver

 8,2 kg

 805410571627