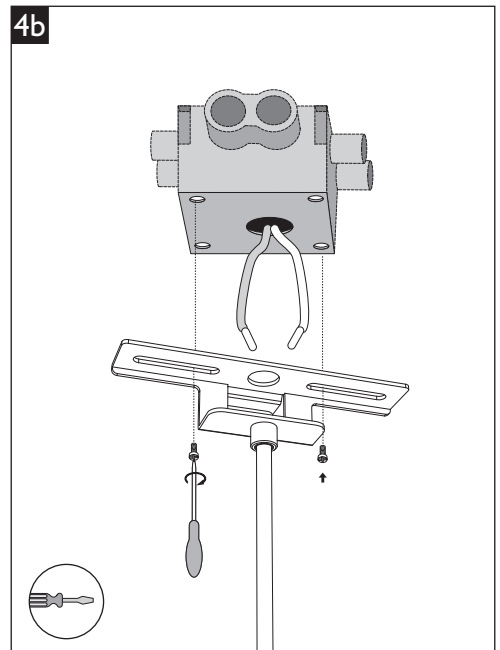
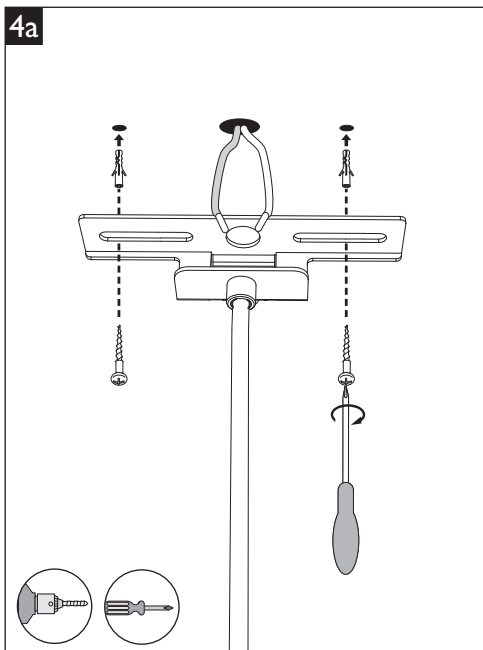
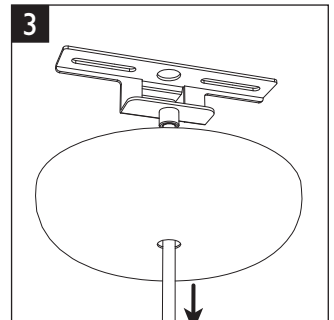
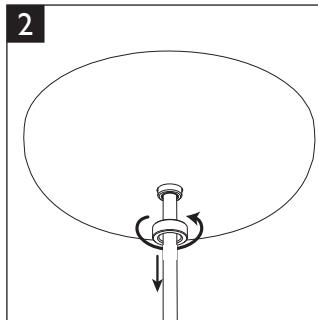
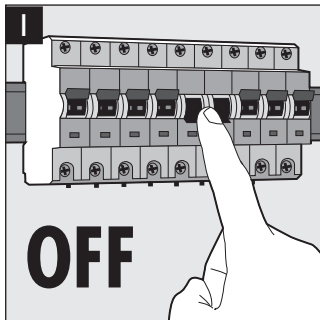
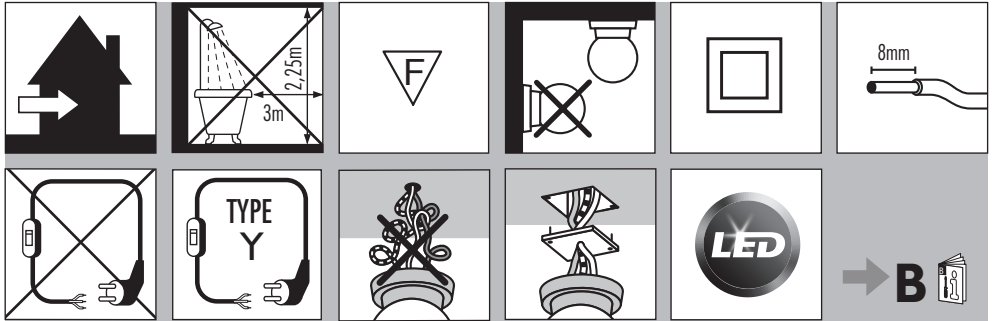




PHILIPS

4404.017.01261

Last update: 11/03/15



PHILIPS

