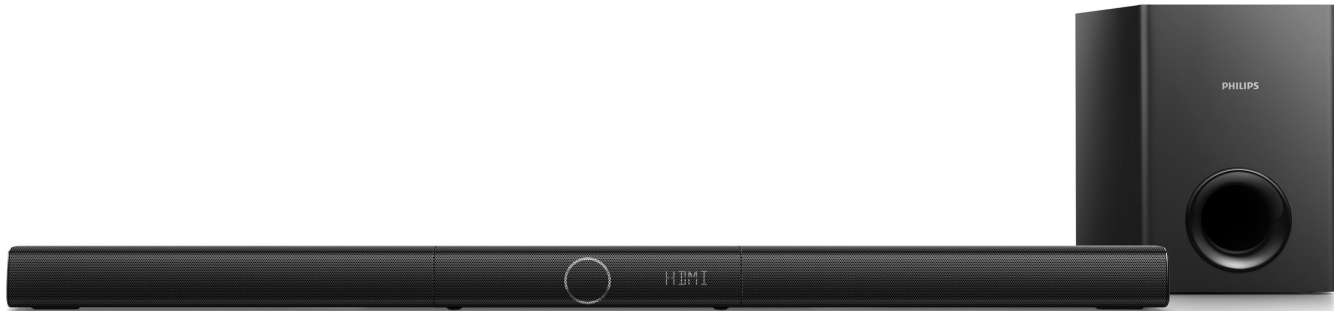


# Always there to help you

Register your product and get support at  
[www.philips.com/support](http://www.philips.com/support)



HTL2183B

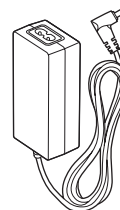
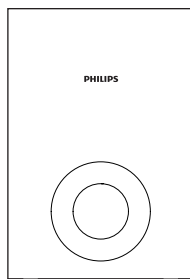


# Quick start guide

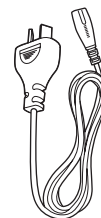
**PHILIPS**



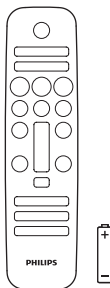
Before using your product, read all accompanying safety information



Power Adapter



Power Cord



6 X

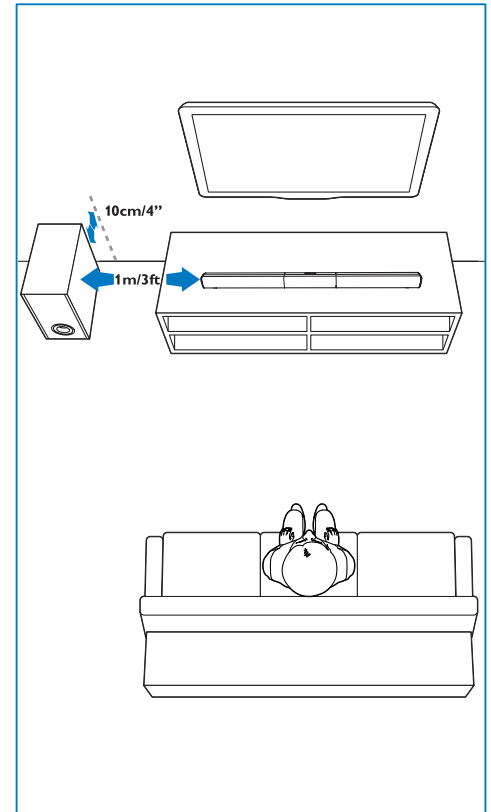
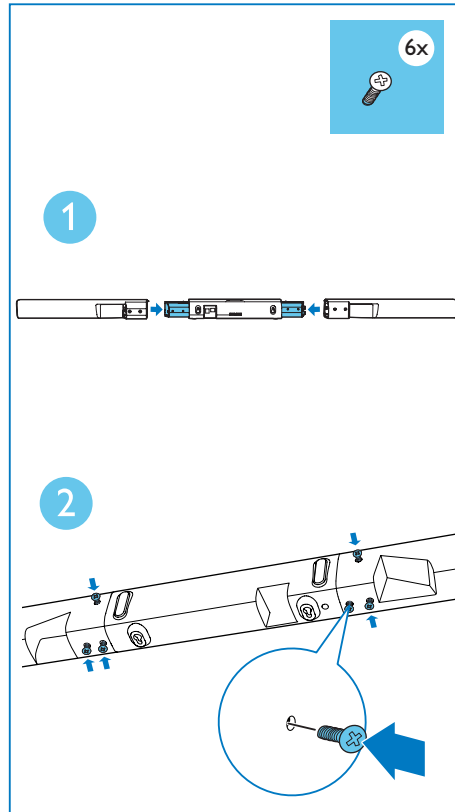


Optical Cable



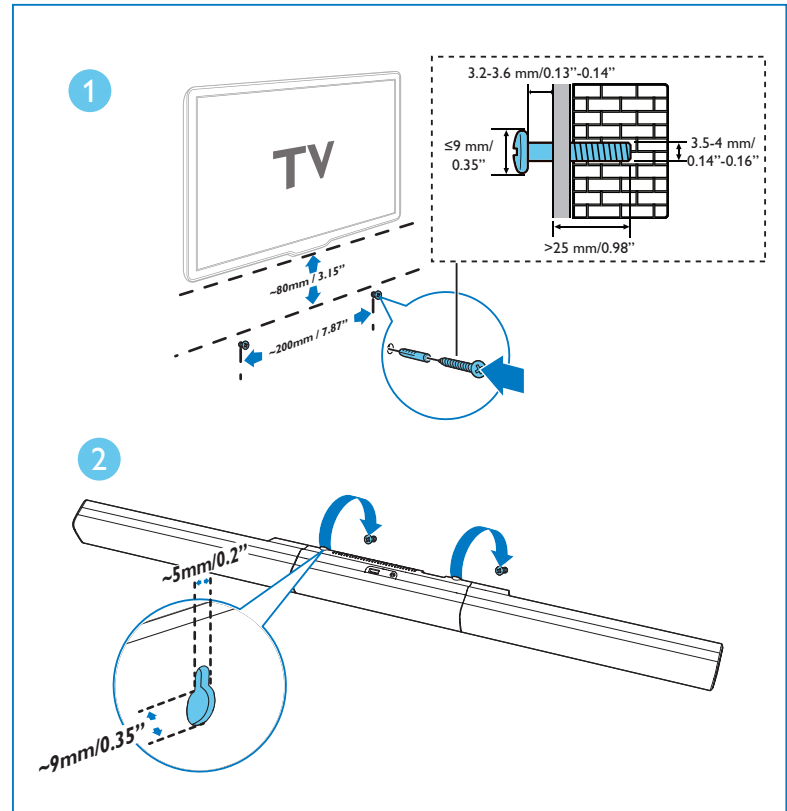
# 1

Assemble your product  
Position your product



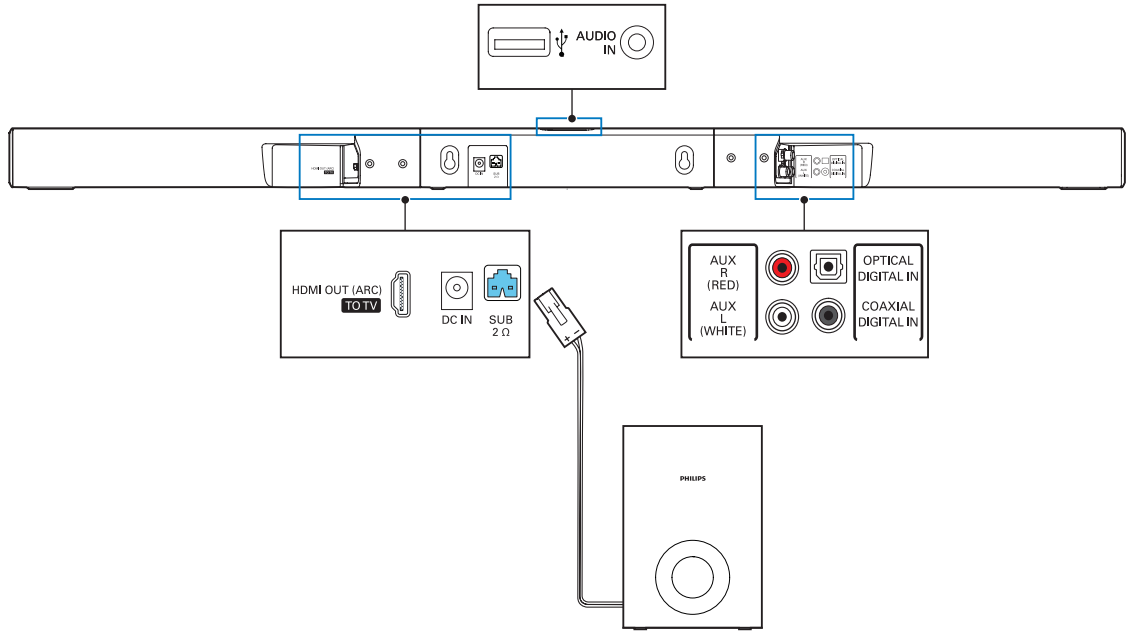


Wall mount your product (optional)



# 2

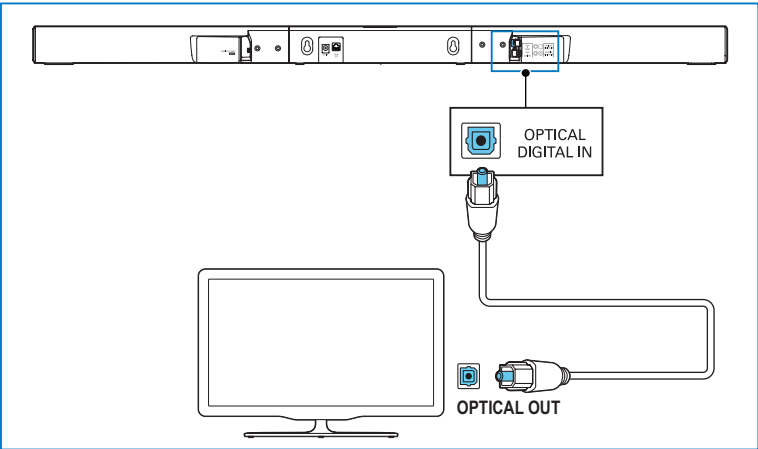
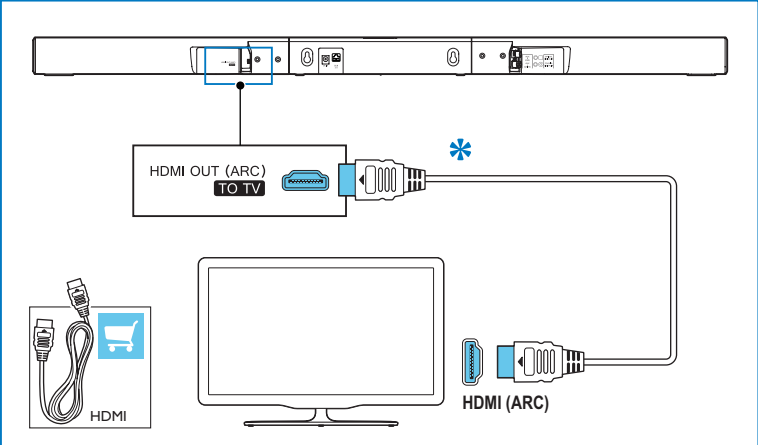
Connect your product

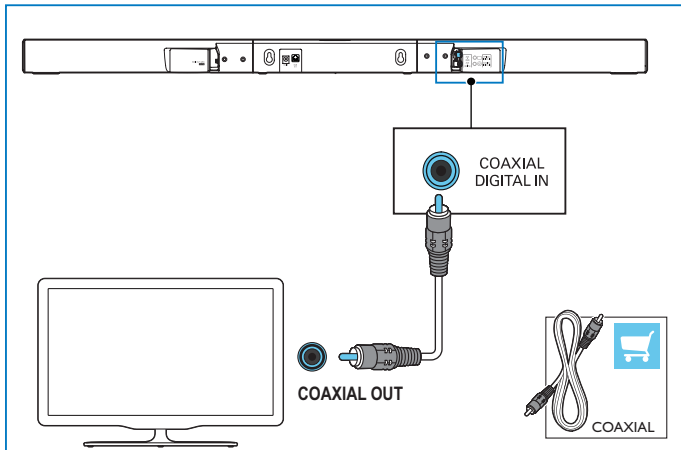
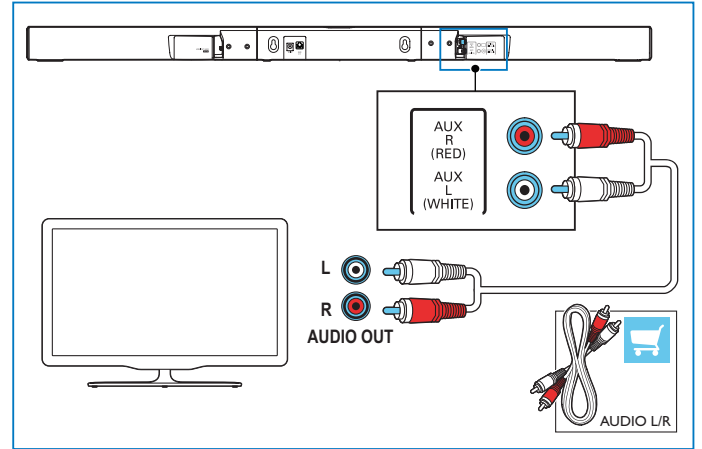
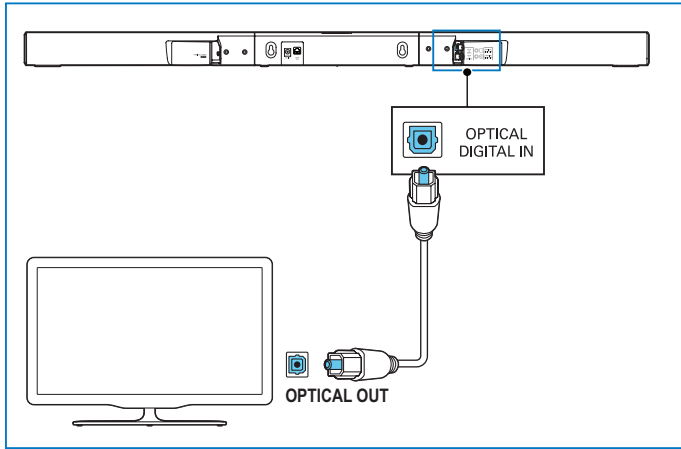


# 3

Connect to TV in one of these ways

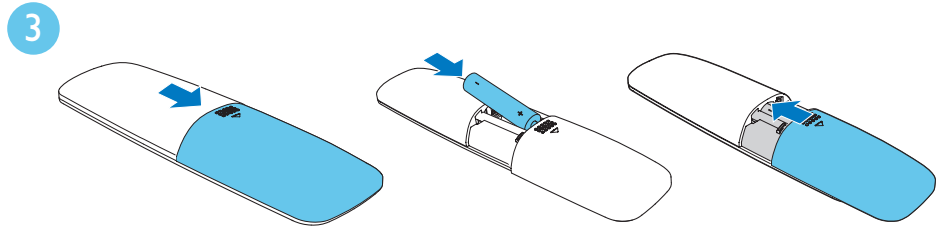
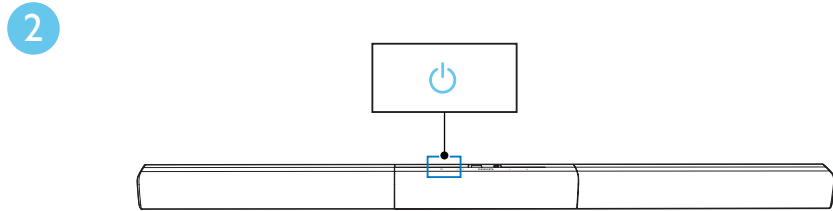
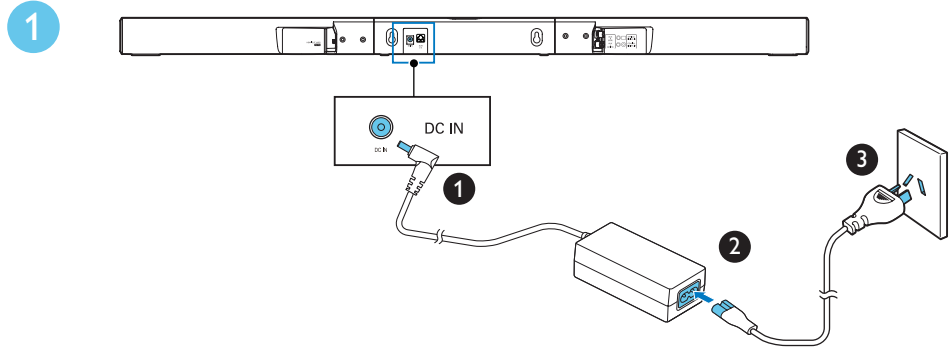
\* A High Speed HDMI Cable is required





# 4

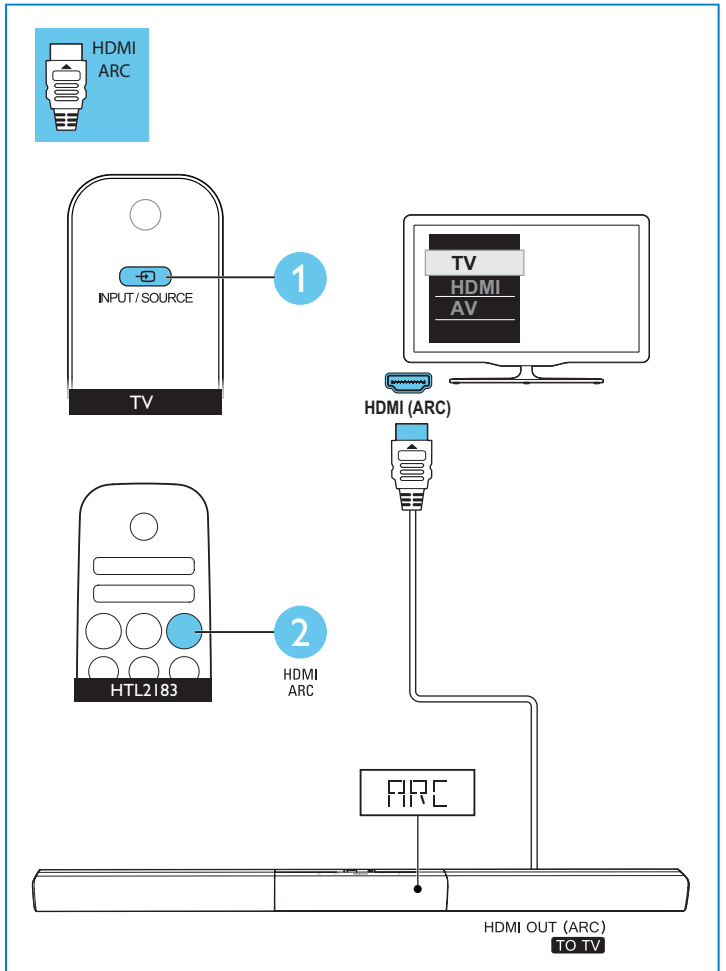
Switch on your product

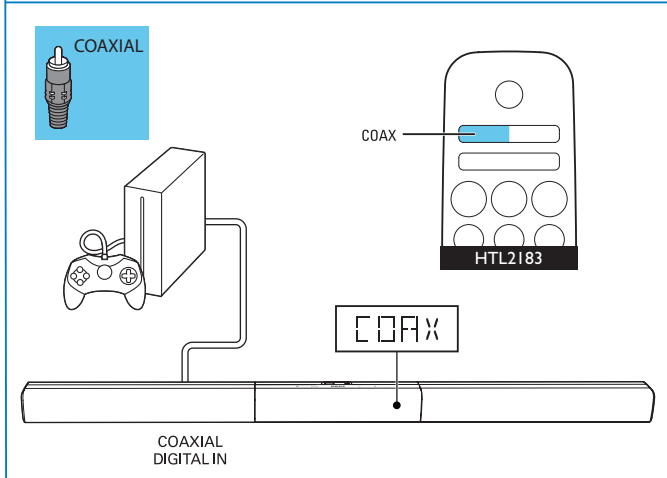
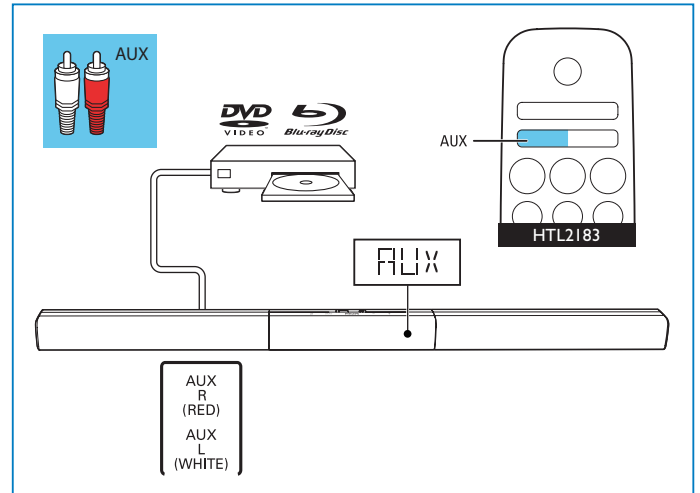
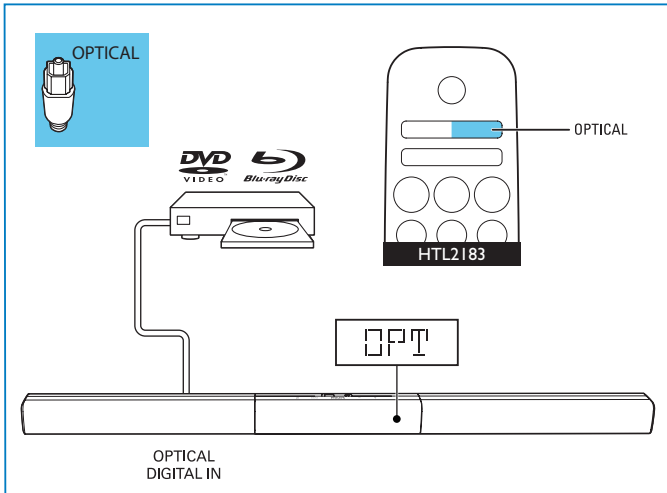




# 5

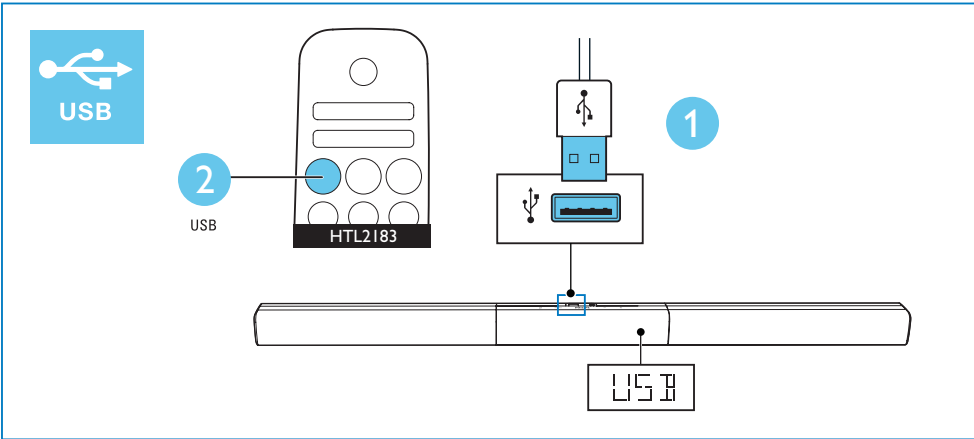
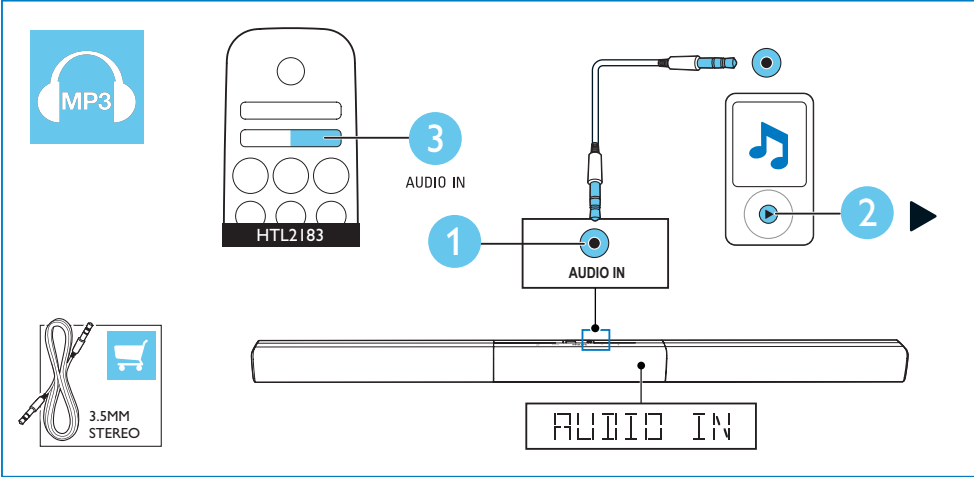
Select the correct audio source





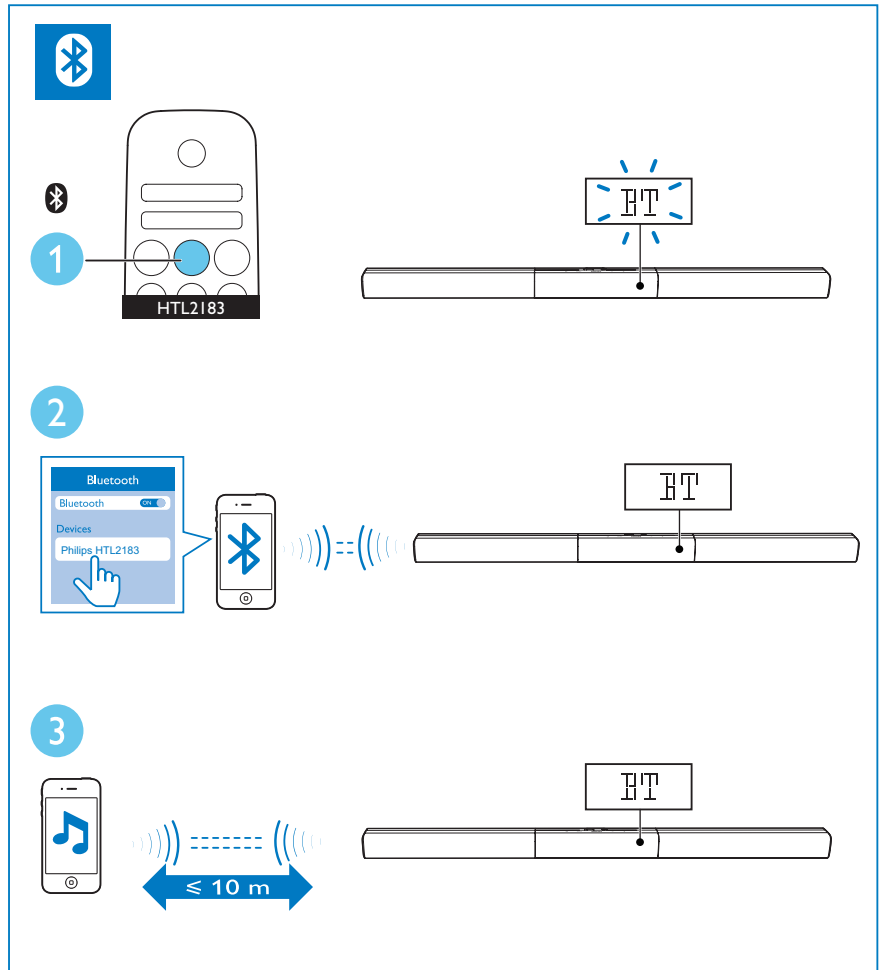
# 6

Play other devices



# 7

Play audio through Bluetooth





## Warranty against Defects

In this warranty:

**We or us** means Gibson Innovations ARBN 165 105 975 , and our contact details are set out at the end of this warranty;

**You** means the purchaser or the original end-user of the Goods;

**Supplier** means the authorised distributor or retailer of the Goods that sold you the Goods in Australia or New Zealand; and

**Goods** means the product or equipment which was accompanied by this warranty and purchased in Australia or New Zealand.

If you require assistance with the operation of the product, its features or specifications please call the Philips Consumer Care Centre on 1300 850 633 in Australia or 0800 639 953 in New Zealand.

**Australia:** Our Goods come with guarantees that cannot be excluded under the Australian Consumer Law. You are entitled to a replacement or refund for a major failure and for compensation for any other reasonably foreseeable loss or damage. You are also entitled to have the Goods repaired or replaced if the goods fail to be of acceptable quality and the failure does not amount to a major failure. This is not a complete statement of your legal rights as a consumer.  
**New Zealand:** Our Goods come with guarantees that cannot be excluded under the Consumer Guarantees Act 1993. This guarantee applies in addition to the conditions and guarantees implied by that legislation.

### Additional Warranty:

In addition to the rights and remedies that you have under the Australian Consumer Law, Consumer Guarantees Act of New Zealand or any other applicable law, we provide the following warranty against defects:

1. If, during the first **12 months** from their date of purchase from the Supplier (**Warranty Period**), the Goods prove defective by reason of improper workmanship or materials and none of your statutory rights or remedies apply, we will repair or replace the Goods without charge.
2. We do not have to repair or replace the Goods under this Additional Warranty if the Goods have been used for a commercial purpose; misused, improperly or inappropriately installed, operated or repaired; abused; damaged; or not maintained in accordance with the manufacturer's instructions.
3. Even when we do not have to repair or replace the Goods, we may decide to do so anyway. In some cases, we may decide to substitute the Goods with a similar alternative product of our choosing. All such decisions are at our absolute discretion.
4. All such repaired, replaced or substituted Goods continue to receive the benefit of this Additional Warranty for the time remaining on the original Warranty Period.
5. This Additional Warranty is limited to repair, replacement or substitution only. As far as the law permits, we will not be liable for any loss or damage caused to property or persons arising from any cause whatsoever.
6. In order to claim under this Additional Warranty you must telephone us on 1300 850 633 in Australia or 0800 639 953 in New Zealand within the Warranty Period. You will be asked for details of the Goods, a description of the defect and your personal details. Upon accepting your claim, we shall assist you with either returning the Goods to the Supplier for replacement or to the most convenient Philips Authorised Service Centre for your Goods to be repaired. In some case we may require that you return to the Goods to us (at the address below) for repair, replacement or substitution.

\* All returned Goods must be accompanied by satisfactory proof of purchase which clearly indicates the name and address of the Supplier, the date and place of purchase and identifies product. It is best to provide a legible and unmodified receipt or sales invoice.

\* You must bear any expense for return of the Goods or otherwise associated with making your claim under this Additional Warranty.

7. This warranty is only valid and enforceable in Australia and New Zealand.

Contact us or the place of purchase for further details.

Australia

Gibson Innovations  
Suite 22a 33 Waterloo Rd  
Nth Ryde, NSW 2113

**Consumer Care** : 1300 850 633

**E-mail**: [pcow.woox@albson.com](mailto:pcow.woox@albson.com)  
**Website**: [www.philips.com/support](http://www.philips.com/support)

New Zealand

**Consumer Care**: 0800 639 953

**Email**: [pcow.woox@albson.com](mailto:pcow.woox@albson.com)

**Website**: [www.philips.com/support](http://www.philips.com/support)



For more information about using this product, visit [www.philips.com/support](http://www.philips.com/support)



[www.philips.com/support](http://www.philips.com/support)



Manufactured under license from Dolby Laboratories. Dolby, Pro Logic, and the double-D symbol are trademarks of Dolby Laboratories.



The terms HDMI and HDMI High-Definition Multimedia Interface, and the HDMI Logo are trademarks or registered trademarks of HDMI Licensing LLC in the United States and other countries.



The Bluetooth® word mark and logos are registered trademarks owned by Bluetooth SIG, Inc. and any use of such marks by Gibson Innovations Limited is under license. Other trademarks and trade names are those of their respective owners.



Specifications are subject to change without notice  
2015 © Gibson Innovations Limited. All rights reserved.  
This product has been manufactured by, and is sold under the responsibility of Gibson Innovations Ltd., and Gibson Innovations Ltd. is the warrantor in relation to this product. Philips and the Philips Shield Emblem are registered trademarks of Koninklijke Philips N.V. and are used under license from Koninklijke Philips N.V.

HTL2183B\_79\_QSG\_V1.0

