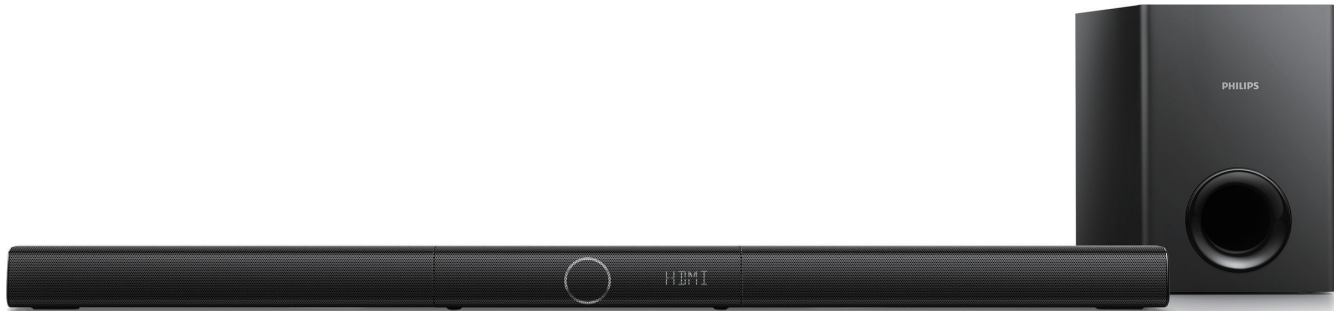


Always there to help you

Register your product and get support at
www.philips.com/support



HTL2183B



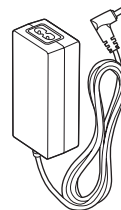
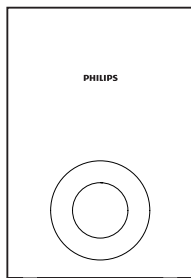
Quick start guide

PHILIPS

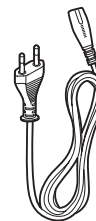


EN Before using your product, read all accompanying safety information

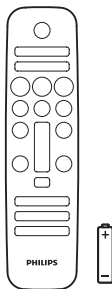
ZH-TW 使用您的產品前，請先閱讀所有附隨的安全資訊



Power Adapter



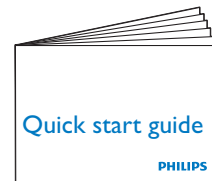
Power Cord



6 X



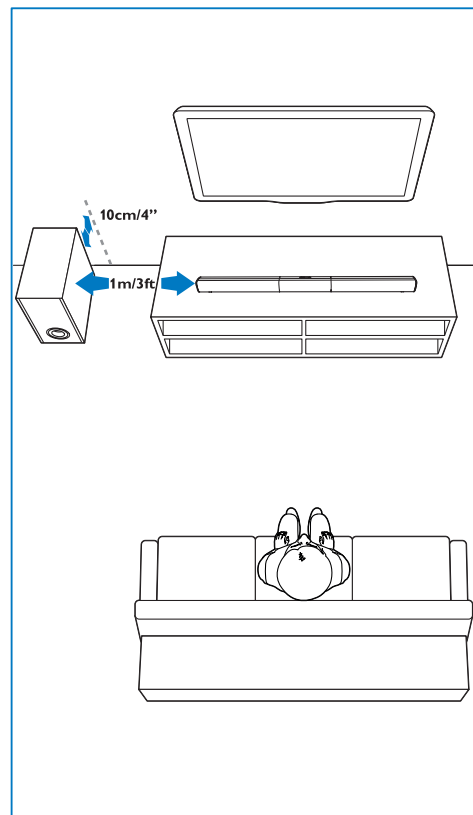
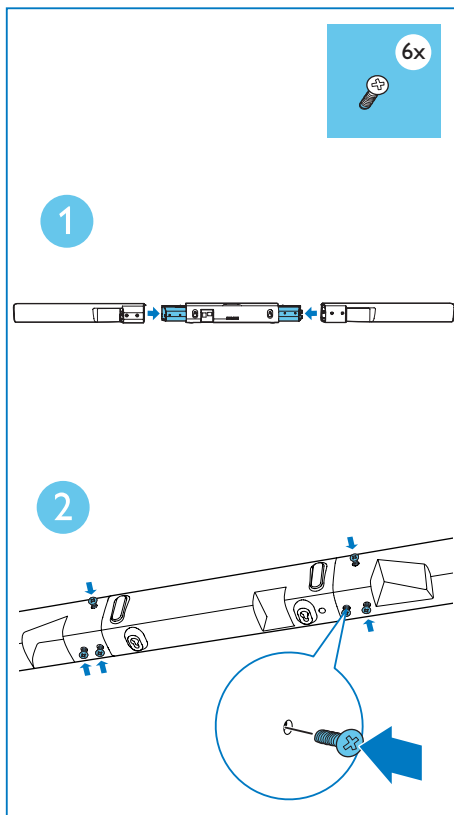
Optical Cable



1

EN Assemble your product
Position your product

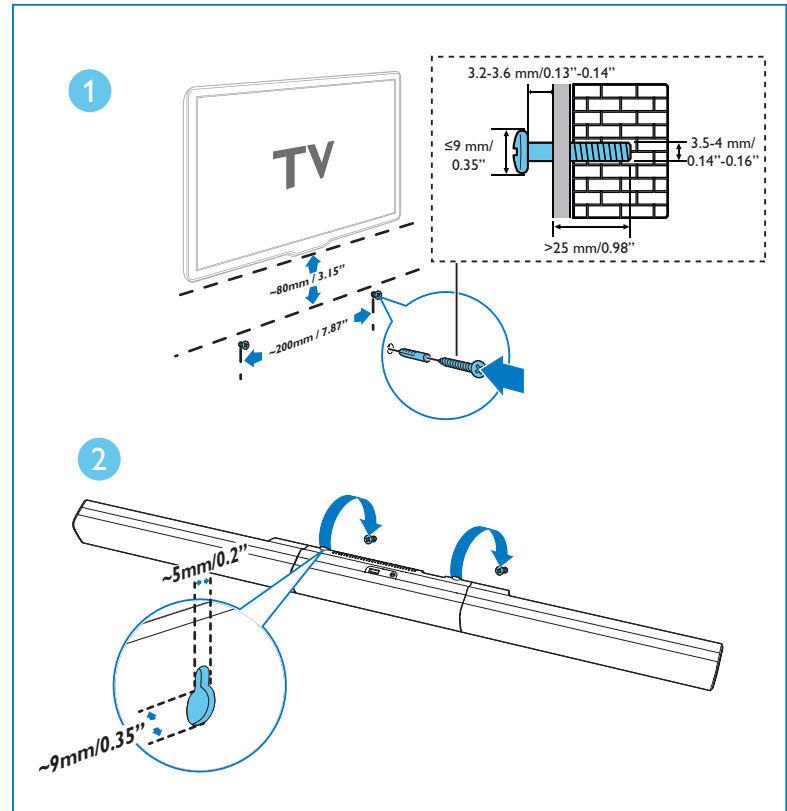
ZH-TW 組裝本產品
安置本產品





EN Wall mount your product (optional)

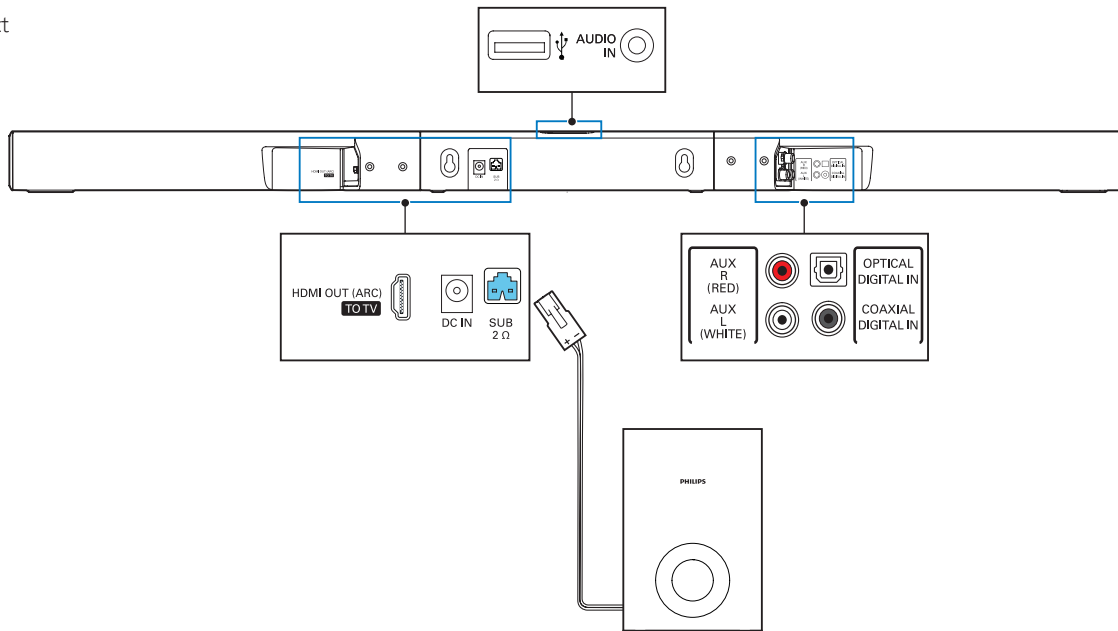
ZH-TW 以壁掛方式架設本產品 (可選)



2

EN Connect your product

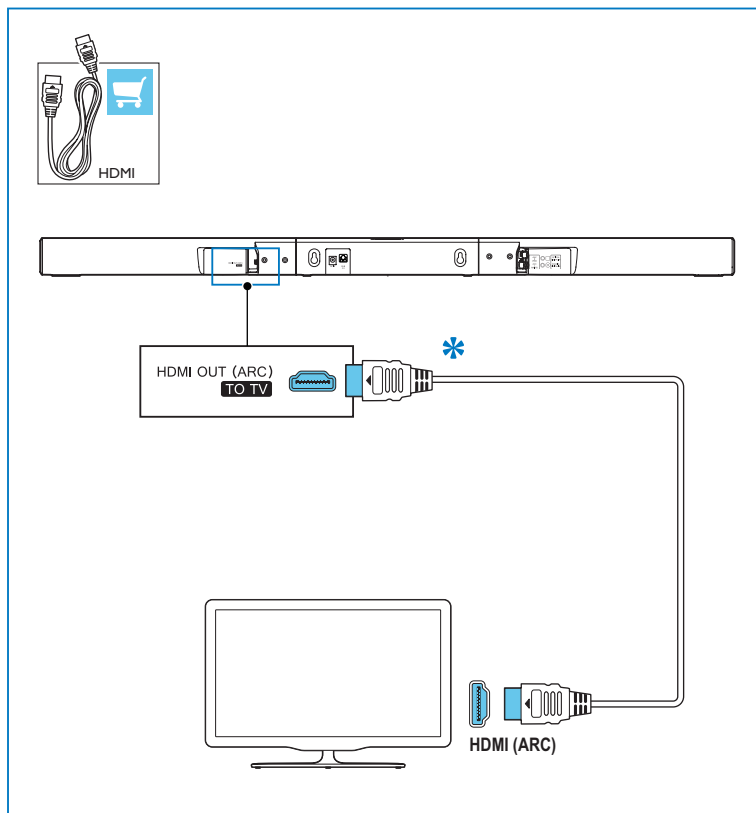
ZH-TW 連接本產品

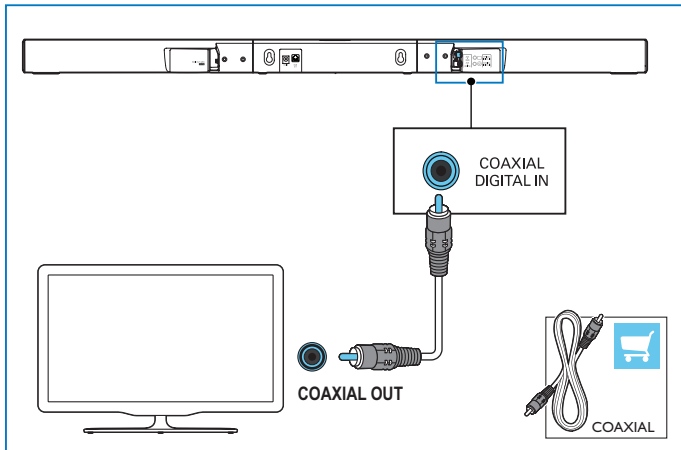
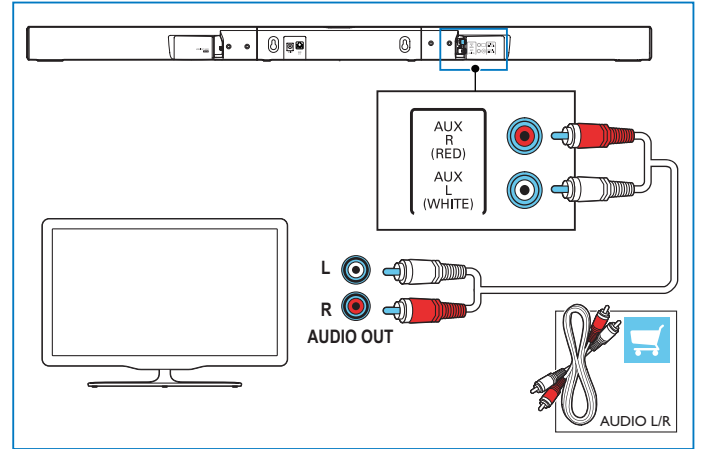
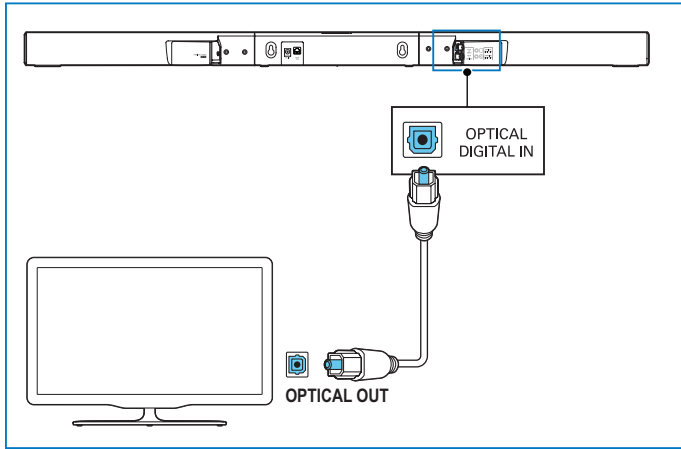


3

EN Connect to TV in one of these ways
* A High Speed HDMI Cable is required

ZH-TW 用這些方式之一連線到電視
* 需要高速 HDMI 纜線

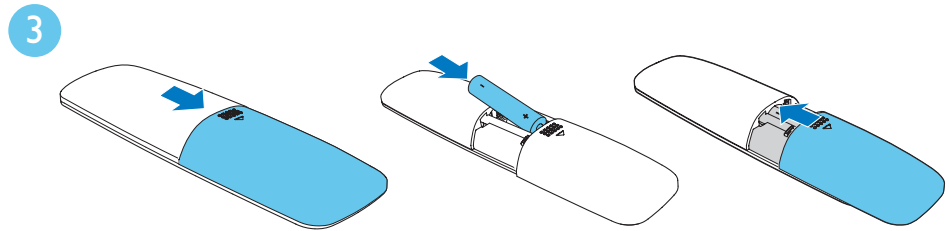
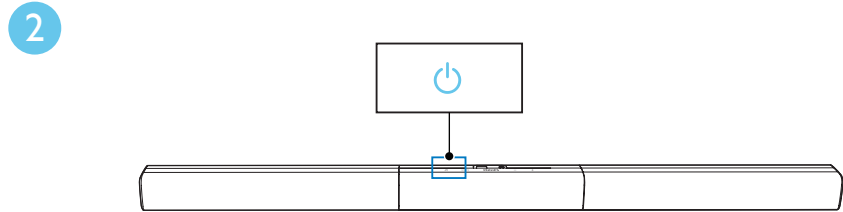
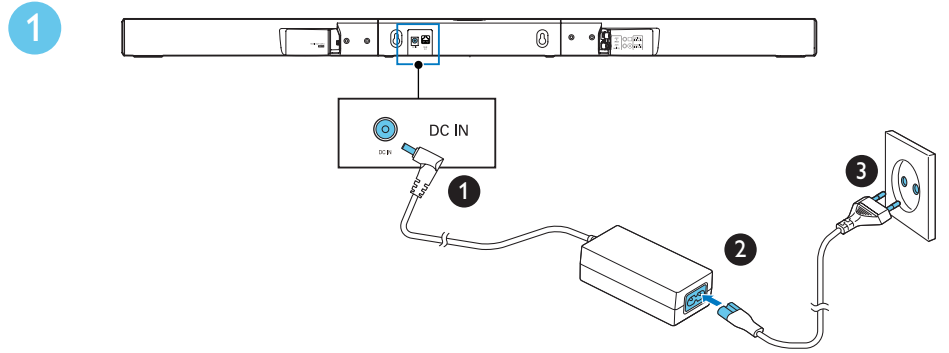




4

EN Switch on your product

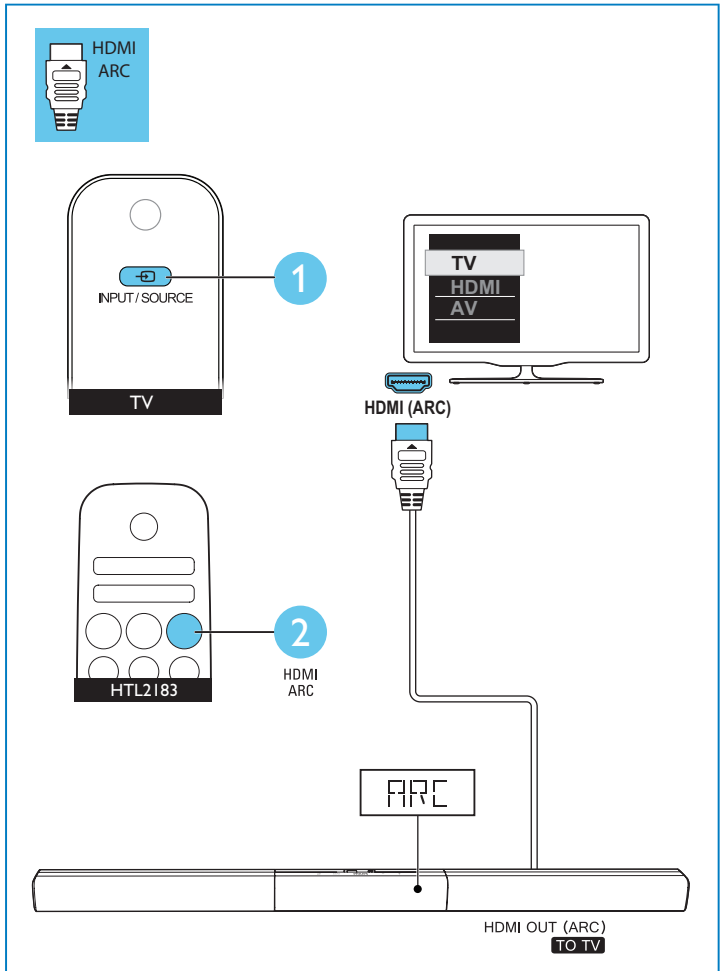
ZH-TW 啟動本產品

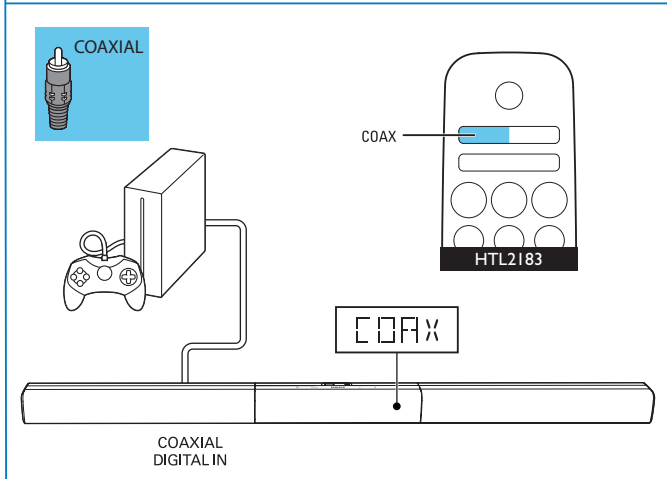
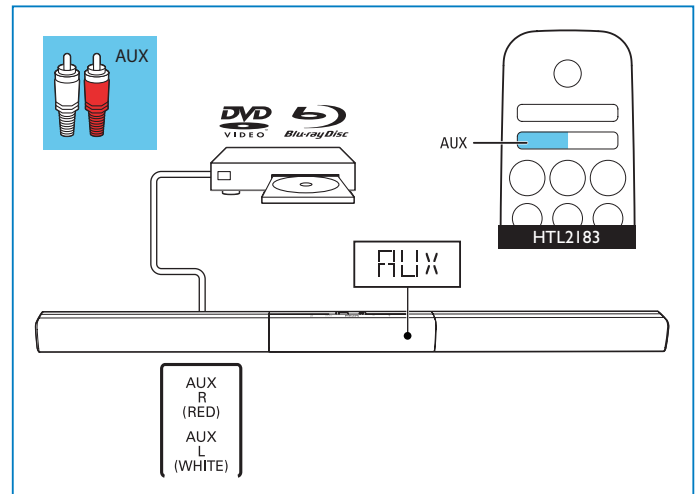
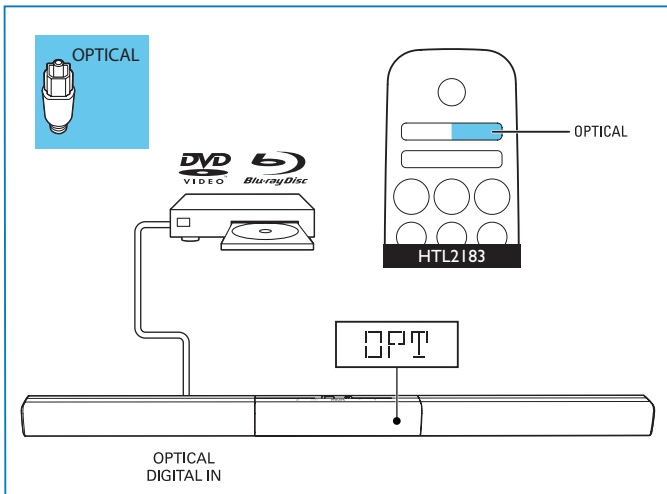


5

EN Select the correct audio source

ZH-TW 選取正確的音訊輸入

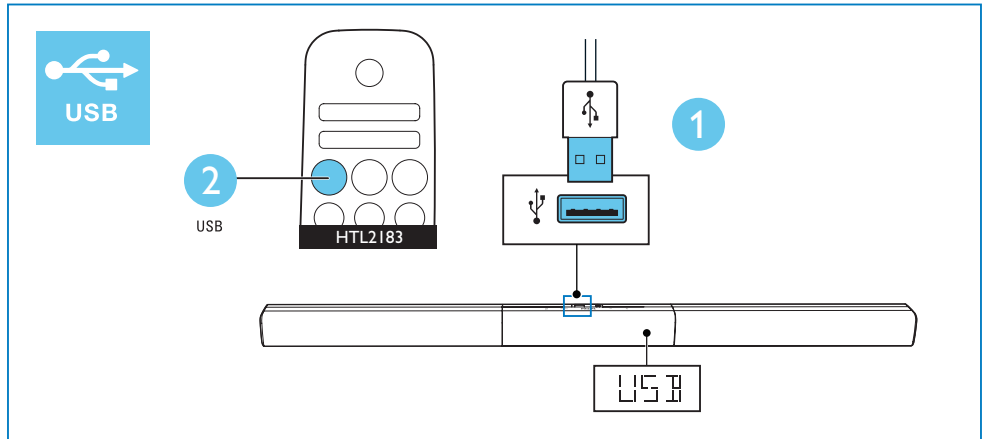
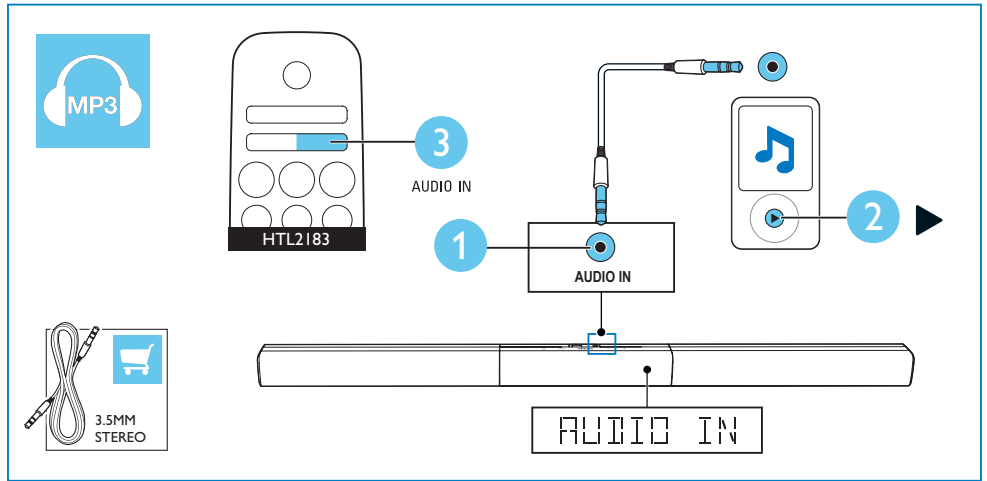




6

EN Play other devices

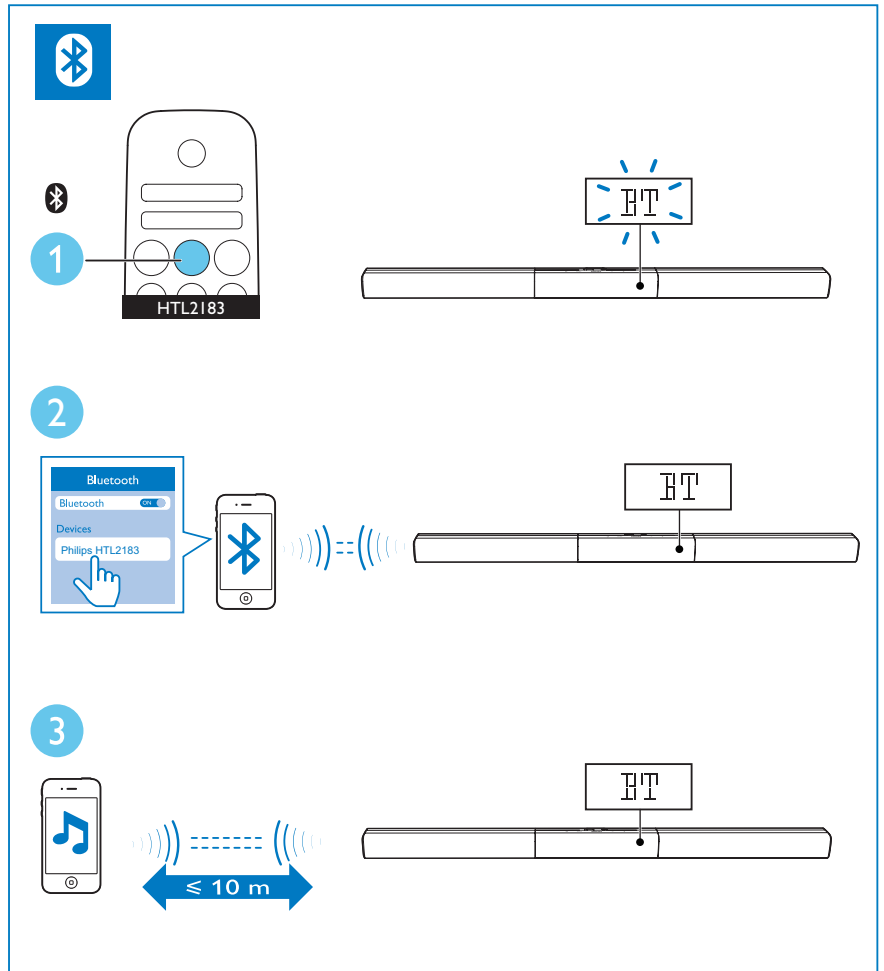
ZH-TW 播放其它裝置



7

EN Play audio through Bluetooth

ZH-TW 透過藍牙播放音訊





EN For more information about using this product, visit www.philips.com/support

ZH-TW 如果要瞭解產品的更多資訊，請瀏覽 www.philips.com/support。



www.philips.com/support



Manufactured under license from Dolby Laboratories. Dolby, Pro Logic, and the double-D symbol are trademarks of Dolby Laboratories.



The terms HDMI and HDMI High-Definition Multimedia Interface, and the HDMI Logo are trademarks or registered trademarks of HDMI Licensing LLC in the United States and other countries.



The Bluetooth® word mark and logos are registered trademarks owned by Bluetooth SIG, Inc. and any use of such marks by Gibson Innovations Limited is under license. Other trademarks and trade names are those of their respective owners.



Specifications are subject to change without notice

2015 © Gibson Innovations Limited. All rights reserved.

This product has been manufactured by, and is sold under the responsibility of Gibson Innovations Ltd., and Gibson Innovations Ltd. is the warrantor in relation to this product. Philips and the Philips Shield Emblem are registered trademarks of Koninklijke Philips N.V. and are used under license from Koninklijke Philips N.V.

HTL2183B_96_QSG_V2.0

