



AL400191
Table ventilation
stainless steel
Width 90 cm
Air extraction/recirculation
Motorless

Telescopic table ventilation for combination with all Gaggenau cooktops, completely retractable when not in use
Can be combined perfectly with other Vario appliances of the 400 series
Precision crafting of 3 mm stainless steel
For surface installation with a visible edge or for flush installation
Motorless, can be combined with Gaggenau BLDC remote fan units

Output
Power levels depend on the remote fan unit.

Features
Interval ventilation, 6 min.
Run-on function, 6 min.
Grease filter saturation indicator.
Cartridge-type filter, dishwasher-safe.
Illuminance: 191 lx
Spare covers for closing air outlets.
No duct connection piece included.

Product rating
Consumption data is referred to a configuration with the remote fan unit AR 400 142.
Energy consumption 45.5 kWh/year.
Ventilation efficiency class A.
Illumination efficiency class E.
Grease filter efficiency class C.
Sound level min. 45 dB / max. 61 dB normal mode.

Planning notes
Refer to the table on page XX for the matching remote fan units for air recirculation or air extraction mode.
Connection to the respective appliances via network cable.
Operation of Vario cooking appliances only possible without appliance cover. Max. output of cooktops 18 kW.
Installation is possible in worktops made of stone, synthetics or solid wood. Heat resistance and watertight sealing of the cut edges must be observed. Concerning other materials please consult the worktop manufacturer.
Ovens that do not exceed the maximum allowed cabinet temperature can be combined with the table ventilation if built-in situation permits.
To avoid smoke when frying/grilling refer to the manuals of VR/VP.
When installing a ventilation hood with air extraction mode and a chimney-vented fireplace, the power supply line of the ventilation appliance needs a suitable safety switch.

Connection
Total connected load 65 W.
Connecting cable 1.7 m, pluggable.
Network cable 1,2 m.

Characteristics
Product name/family
Color chimney
Typology Traditional
Approval certificates Australia Standards, CE, Eurasian, G-Mark, VDE
Length of electrical supply cord (cm) 170
Required niche size for installation (HxWxD) 540mm x 840.0mm x 122mm
Height of the chimney (mm)
Height of product, without chimney (mm) 540
Minimum distance above an electric hob
Minimum distance above a gas hob
Net weight (kg) 35.450
Type of control Electronic
Number of speed settings
Maximum output air extraction (m3/h) 600
Boost position output recirculating (m3/h)
Maximum output recirculating air (m3/h)
Boost position air extraction (m³/h)
Number of lights (Stck) 4
Noise level (dB(A) re 1 pW) 61
Diameter of air outlet (mm)
Grease filter material Washable stainless steel
EAN code 4242006240578

Consumption and connection features
Connection rating (W) 65
Current (A) 10
Voltage (V) 230
Frequency (Hz) 60; 50
Plug type CH plug w/ earthing, Gardy plug w/ earthing, GB plug
Installation type Built-in

created on 2020-07-28
Page 1

Color Variants

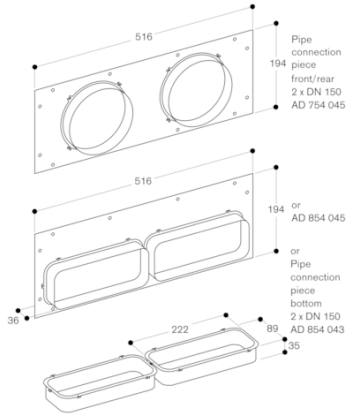
AL400191
stainless steel
Width 90 cm

Installation Accessories

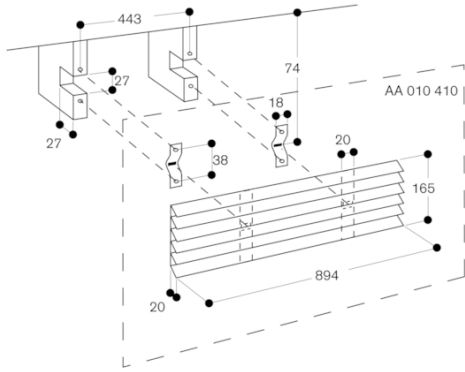
AA010410
Air exhaust grille recirculation mode

AL400191
 Table ventilation
 stainless steel
 Width 90 cm
 Air extraction/recirculation
 Motorless
 created on 2020-07-28
 Page 2

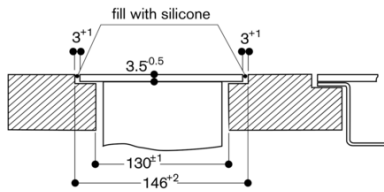
AD 754/854 045 and AD 854 043



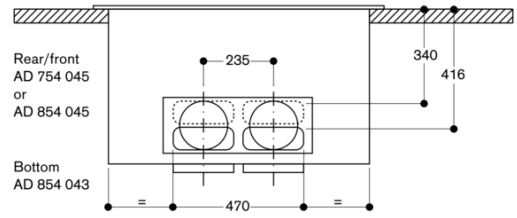
AA 010 410 air exhaust grille



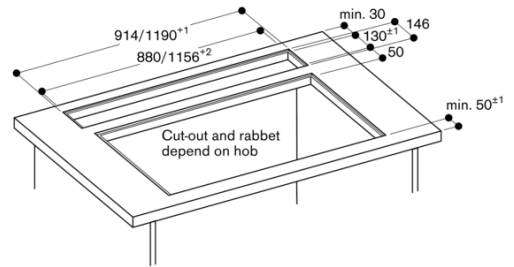
Cross-section



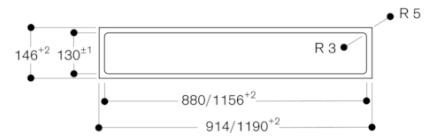
AL 400 connection positions DN 150



AL 400 installed flush

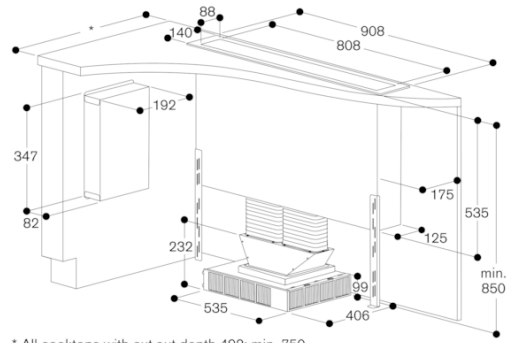
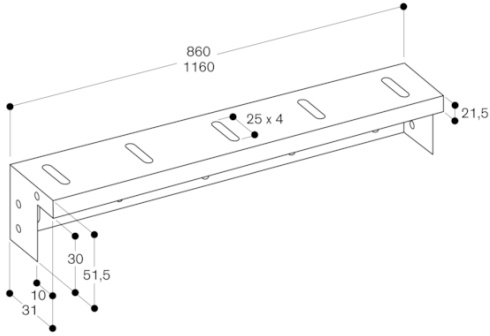


AL 400 cut-out flush-mounted



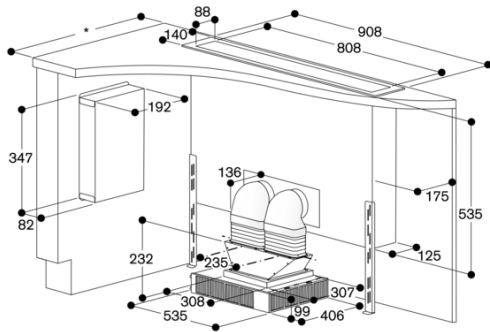
AL400191
 Table ventilation
 stainless steel
 Width 90 cm
 Air extraction/recirculation
 Motorless
 created on 2020-07-28
 Page 3

AA 409 401/431 furniture support

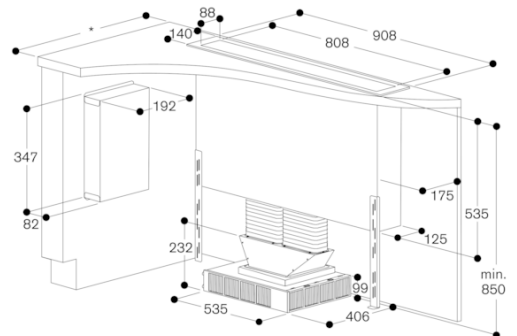


* All cooktops with cut-out depth 492: min. 750

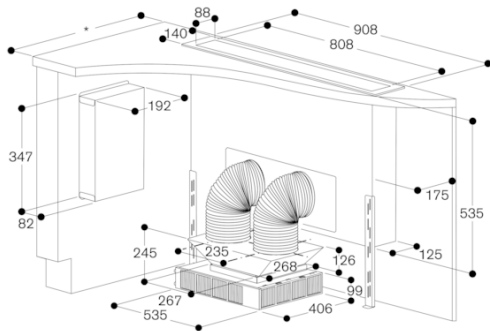
AL 400 cut-out for surface mounting



* All cooktops with cut-out depth 492: min. 750



* All cooktops with cut-out depth 492: min. 750



* All cooktops with cut-out depth 492: min. 750

AL400191

Table ventilation

stainless steel

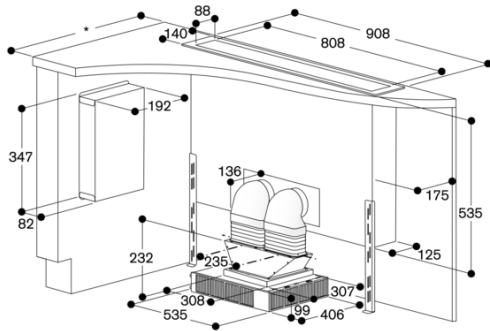
Width 90 cm

Air extraction/recirculation

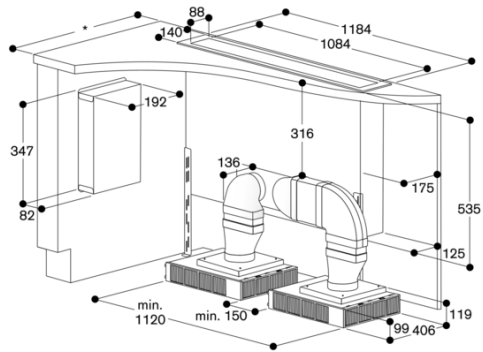
Motorless

created on 2020-07-28

Page 4

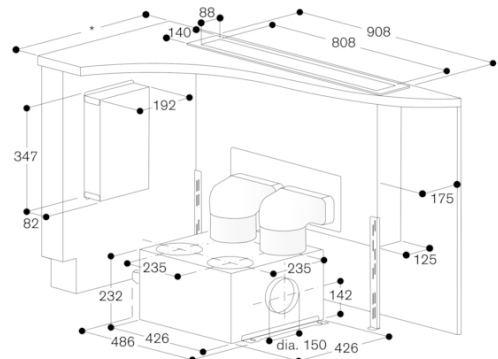
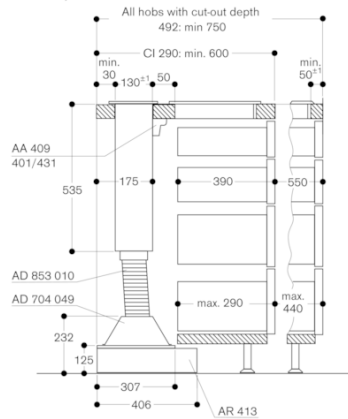


* All cooktops with cut-out depth 492: min. 750

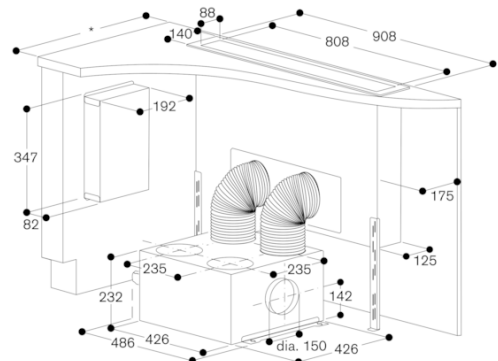


* All cooktops with cut-out depth 492: min. 750

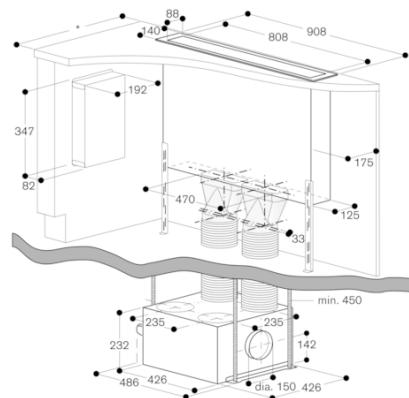
Cross-section of upper cabinet for AL 400 (without back wall) with AR 413; connection at the bottom



* All cooktops with cut-out depth 492: min. 750

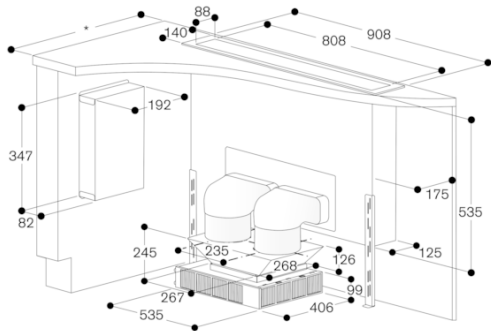
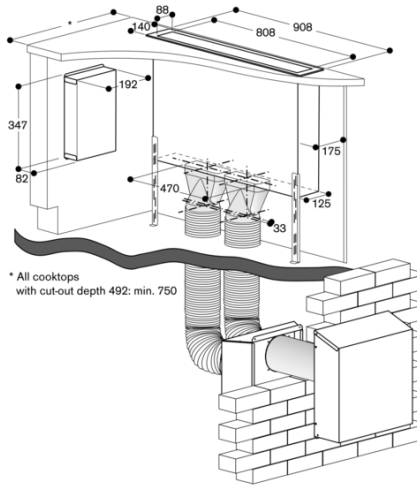


* All cooktops with cut-out depth 492: min. 750

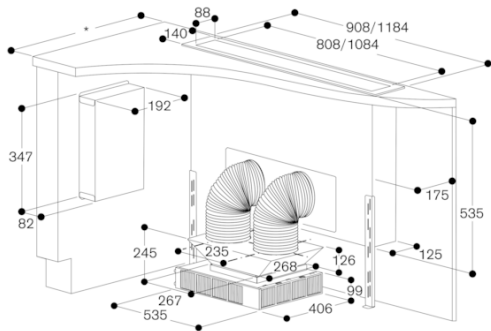


* All cooktops with cut-out depth 492: min. 750

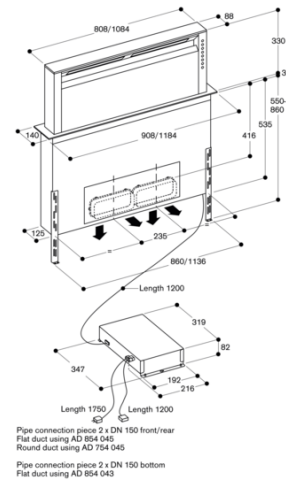
AL400191
 Table ventilation
 stainless steel
 Width 90 cm
 Air extraction/recirculation
 Motorless
 created on 2020-07-28
 Page 5



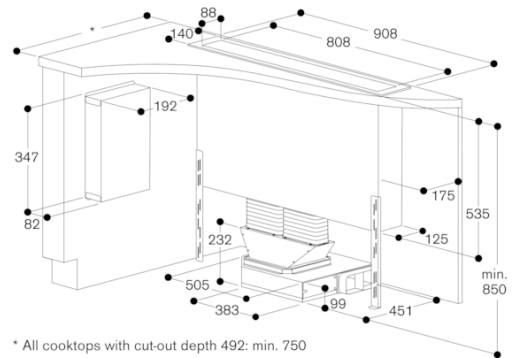
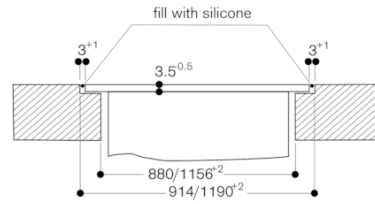
* All cooktops with cut-out depth 492: min. 750



* All cooktops with cut-out depth 492: min. 750



Longitudinal section



* All cooktops with cut-out depth 492: min. 750