



HP DesignJet Rugged Case¹

Ruggedize your device

Delivering added protection in rough, dusty environments, the HP DesignJet Rugged Case¹ helps ensure your printer is ready wherever you need it



The HP DesignJet Rugged Case is best suited for industries where dust and damage is a threat, including construction, mining, oil & gas, and others.

SAFEGUARD during transport

When moving your printer from the office to another location, **the rugged case protects it from scratches, bumps, and other in-transit accidents.**

PROTECT on location

When moving the printer in locations with rough and irregular terrain, **large, rugged wheels on the case provide stability and traction for safe, easy mobility.**

SECURE during usage

When using the printer with the rugged case on, you'll find it incredibly easy to open and close. **Protect the device from dust and water with the case closed; safeguard against hits and bumps even when it's open.**

For more information, please visit

hp.com/go/designjetT830

hp.com/go/designjetT730



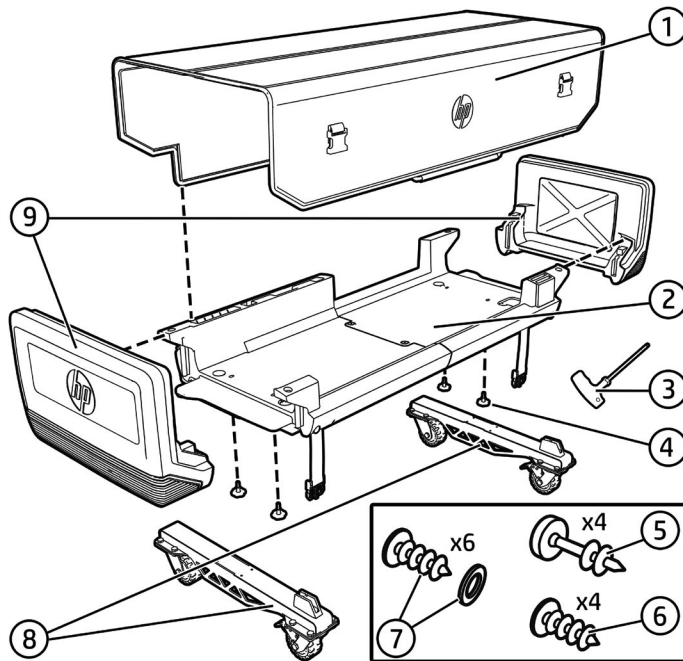
¹ This case is designed to help protect your device against accidental damage from small hits, dust or water. No guarantees can be made by the manufacturer.

Technical specifications

| | |
|--|---|
| Shipping dimensions (w x d x h) | 1542 x 565 x 639 mm (60.7 x 22.2 x 25.2 in) |
| Shipping weight | 38 kg (83.8 lb) |
| What's in the box | Fabric cover, printer support, screwdriver, screw-in knobs, screws and washers, wheeled feet, lateral supports, setup guide |
| Warranty | 90 days, replacement |

Ordering information

| | | |
|----------------|--------|--|
| Product | N9M07A | HP DesignJet Rugged Case |
| | T5D66A | HP DesignJet T730 with Rugged Case |
| | T5D67A | HP DesignJet T830 MFP with Rugged Case |

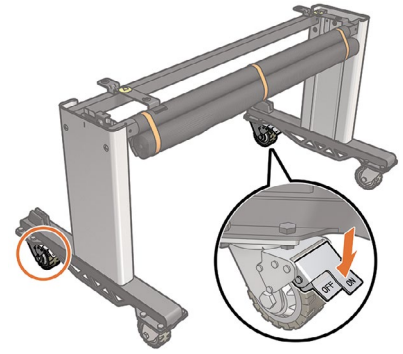


- 1. Rugged Case fabric cover
- 2. Rugged Case printer support
- 3. Screwdriver
- 4. screw-in knobs should be capitalized to be consistent
- 5. Tor screw (45mm long)
- 6. Tor screw (35mm long)
- 7. Screws and washers
- 8. Wheeled foot
- 9. Rugged Case lateral support

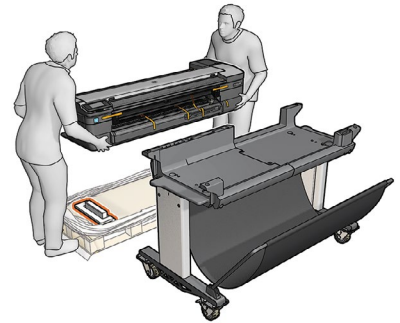
HP DesignJet Rugged Case for HP DesignJet T830 Multifunction Printer and HP DesignJet T730 Printer

Assembly

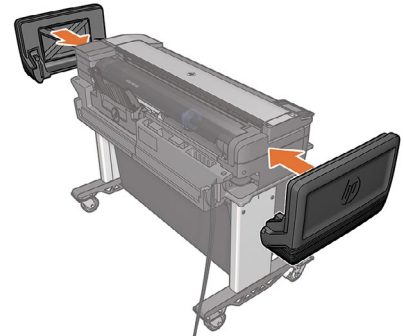
BASE



PRINTER



LATERAL



FABRIC BAG

