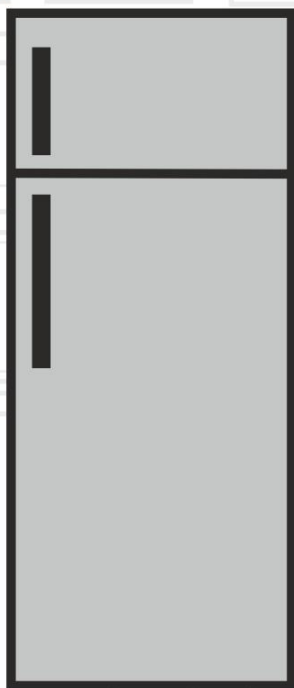


**Refrigerator-Freezer type I**  
**Frigo-Congelatore di tipo I**  
**Хладилник и Фризер тип I**

Instruction of use  
Istruzioni per l'uso  
Инструкции за употреба



**RDSA310M20B**

**ENIT|BG**

**beko**





### **WARNING!**

In order to ensure a normal operation of your refrigerating appliance, which uses a completely environmentally friendly refrigerant the R600a (flammable only under certain conditions) you must observe the following rules:

- ♦ Do not hinder the free circulation of the air around the appliance.
- ♦ Do not use mechanic devices in order to accelerate the defrosting, others than the ones recommended by the manufacturer.
- ♦ Do not destroy the refrigerating circuit.
- ♦ Do not use electric appliances inside the food cheeping compartment, others than those that might have been recommended by the manufacturer.

### **AVVERTENZA!**

Per garantire il funzionamento adeguato dell'elettrodomestico, che utilizza il refrigerante R600a completamente adatto all'ambiente (infiammabile solo in determinate condizioni), è necessario attenersi alle seguenti regole:

- ♦ Non ostacolare la libera circolazione dell'aria attorno all'elettrodomestico.
- ♦ Per accelerare lo sbrinamento non utilizzare dispositivi meccanici diversi da quelli consigliati dal produttore.
- ♦ Non danneggiare il circuito refrigerante.
- ♦ Non utilizzare all'interno del comparto del cibo elettrodomestici diversi da quelli consigliati dal produttore.

### **ВНИМАНИЕ!**

Вашия апарат съдържа хладилна течност R600a (запалим само при определени условия) газ от естествен произход който е силно съвместим със изискванията за опазване на околната среда. За да осигурите нормална работа на Вашият уред моля спазвайте следните правила:

- ♦ Осигурете нормална вентилация на уреда.
- ♦ Не използвайте механични устройства за размразяване на уреда, освен тези препоръчни от производителя.
- ♦ Не наранявайте хладилната верига.
- ♦ Не използвайте електрически уреди вътре в апарата.

## **EN** Index

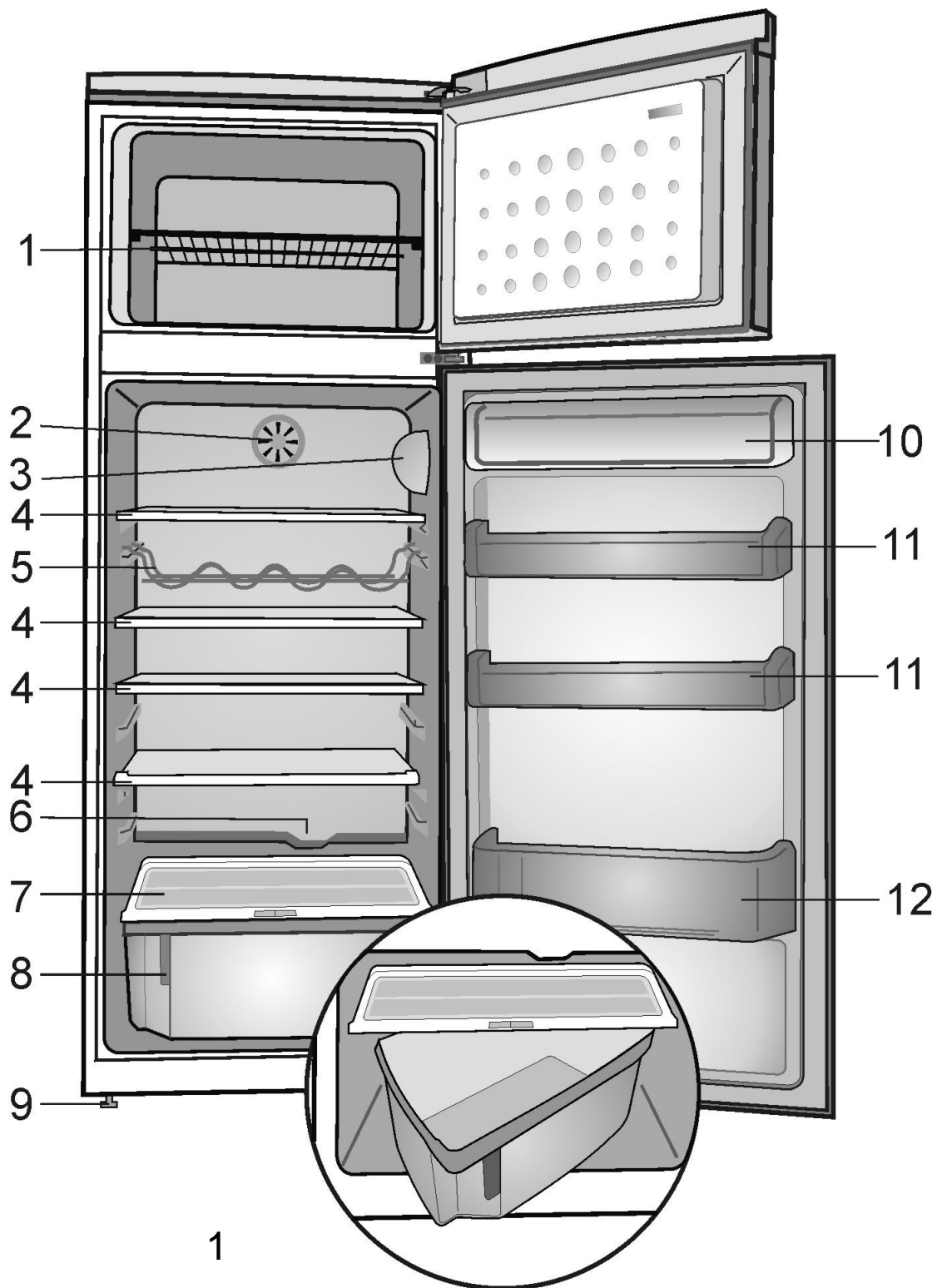
Safety first /1  
Electrical requirements /2  
Transportation instructions /2  
Installation instructions /2  
Getting to know your appliance /3  
Suggested arrangement of food in the appliance /3  
Temperature control and adjustment /4  
Before operating /4  
Storing frozen food /4  
Freezing fresh food /4  
Making ice cubes /5  
Defrosting /5  
Replacing the interior light bulb /6  
Cleaning and care /6  
Repositioning the door /6  
Do's and don'ts /7  
Trouble – shooting /8

## **IT** Indice

Sicurezza iniziale /9  
Requisiti elettrici /10  
Istruzioni per il trasporto /10  
Istruzioni di installazione /10  
Conoscere l'elettrodomestico /11  
Suggerimenti sulla disposizione del cibo nell'elettrodomestico /11  
Controllo e regolazione della temperatura /11  
Prima della messa in funzione /12  
Conservazione di cibo congelato /12  
Congelamento di cibo fresco /12  
Preparazione dei cubetti di ghiaccio /12  
Sbrinamento /12  
Sostituzione della lampadina interna /13  
Pulizia e manutenzione /13  
Riposizionamento dello sportello /14  
Cosa fare e cosa non fare /14  
Risoluzione dei problemi /15

## **БГ** Съдържание

Сигурността преди всичко /16  
Електрически изисквания /17  
Транспортни инструкции /17  
Инструкции при инсталиране /17  
Запознаване с вашия уред /18  
Препоръки при подреждане на храната /18  
Контрол на температурата и настройки /19  
Преди работа /19  
Съхранение на замразени храни /19  
Замразяване на свежи продукти /19  
Лед /20  
Размразяване /20  
Подмяна на лампичката от вътрешното осветление /20  
Почистване и грижи /20  
Промяна посоката на отваряне на вратата /21  
Полезни съвети /21  
Разрешение на проблеми /22

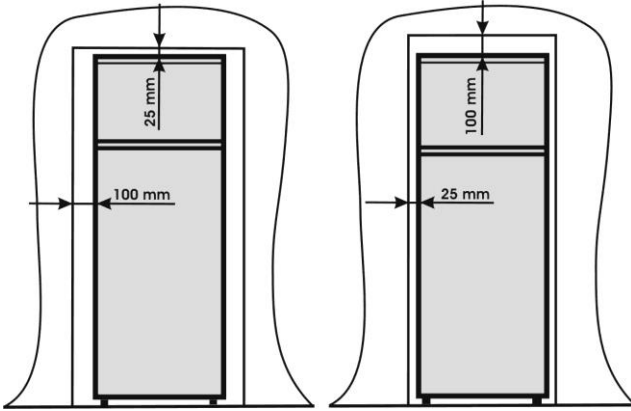


1

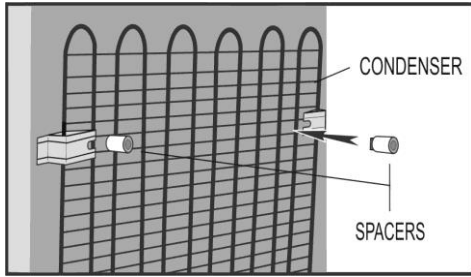
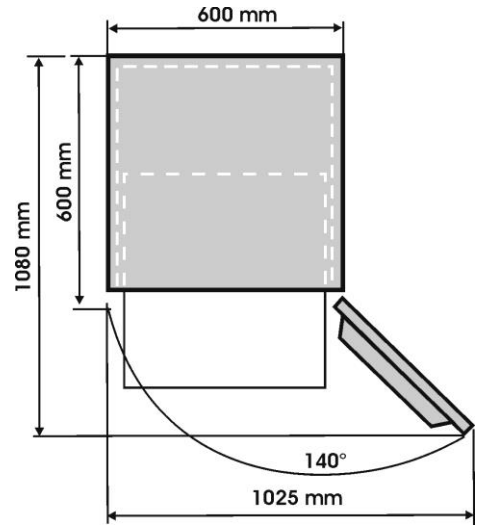
**i** Figures that take place in this instruction manual are schematic and may not correspond exactly with your product. If the subject parts are not included in the product you have purchased, then it is valid for other models.

**i** Le illustrazioni contenute in questa guida sono schematiche e potrebbero non corrispondere esattamente al prodotto in uso. Se le parti in oggetto non sono incluse nel prodotto acquistato, significa che sono da intendersi per altri modelli.

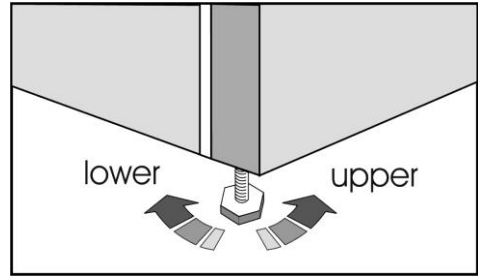
**i** Фигурите, в настоящето ръководство за употреба, са схематични и може да не отговарят точно на вашия уред. Ако споменатите части липсват във вашия уред, то те важат за други модели.



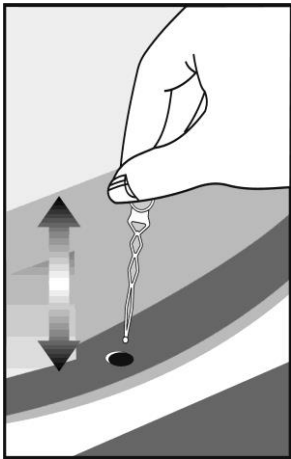
2



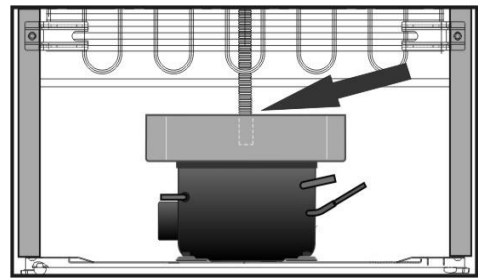
3



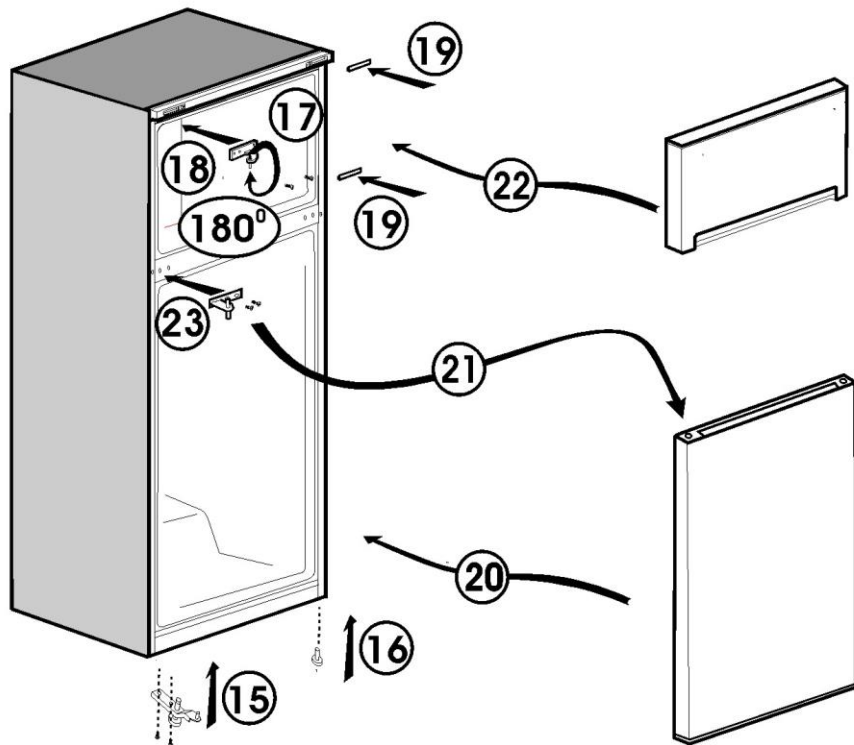
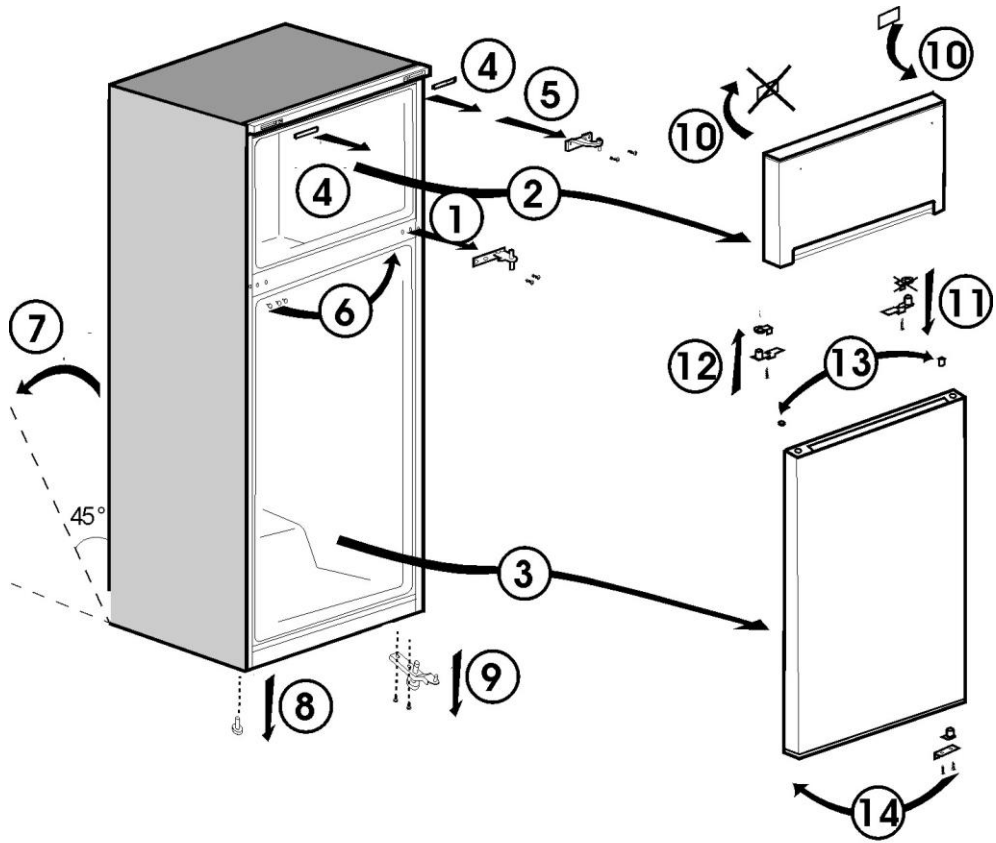
4



5



6



Congratulations on your choice of a **BEKO** Quality Appliance, designed to give you many years of service.

### ***Safety first!***

Do not connect your appliance to the electricity supply until all packing and transit protectors have been removed.

- Leave to stand for at least 4 hours before switching on, to allow compressor oil to settle, if transported horizontally.
- If you are discarding an old appliance with a lock or latch fitted to the door, ensure that it is left in a safe condition to prevent the entrapment of children.
- This appliance must only be used for its intended purpose.
- Do not dispose of the appliance on a fire. Your appliance contains non CFC substances in the insulation which are flammable. We suggest you contact your local authority for information on disposal and available facilities.
- We do not recommend use of this appliance in an unheated, cold room. (e.g. garage, conservatory, annex, shed, out-house etc.)

To obtain the best possible performance and trouble free operation from your appliance it is very important to read these instructions carefully. Failure to observe these instructions may invalidate your right to free service during the guarantee period.

Please keep these instructions in a safe place for easy reference.

Original Spare parts will be provided for 10 years, following the product purchasing date.

**This appliance is not intended for use by person with reduced physical, sensory or mental capabilities or lack of experience and knowledge unless they have been given supervision or instruction concerning use of the appliance by a person responsible for their safety.**

**Children should be supervised to ensure that they do not play with the appliance.**



### **Electrical requirements**

Before inserting the plug into the wall socket make sure that the voltage and the frequency shown in the rating plate inside the appliance corresponds to your electricity supply.

We recommend that this appliance is connected to the mains supply via a suitably switched and fused socket in a readily accessible position.

#### **Warning! This appliance must be earthed.**

Repairs to electrical equipment should only be performed by a qualified technician. Incorrect repairs carried out by an unqualified person are carry risks that may have critical consequences for the user of the appliance.

#### **ATTENTION!**

This appliance operates with R600a which is an environmental friendly but flammable gas. During the transportation and fixing of the product, care must be taken not to damage the cooling system. If the cooling system is damaged and there is a gas leakage from the system, keep the product away from open flame sources and ventilate the room for a while.

**WARNING** - Do not use mechanical devices or other means to accelerate the defrosting process, others than those recommended by the manufacturer.

**WARNING** - Do not damage the refrigerant circuit.

**WARNING** - Do not use electrical appliances inside the food storage compartments of the appliance, unless they are of the type recommended by the manufacturer.

**WARNING** - If the supply cord is damaged, it must be replaced by the manufacturer, its service agent or similarly qualified persons in order to avoid a hazard.

### **Transportation instructions**

1. The appliance should be transported only in an upright position. The packing as supplied must be intact during transportation.
2. If during the transport the appliance, has been positioned horizontally, it must not be operated for at least 4 hours, to allow the system to settle.

3. Failure to comply with the above instructions could result in damage to the appliance, for which the manufacturer will not be held liable.

4. The appliance must be protected against rain, moisture and other atmospheric influences.

#### **Important!**

- Care must be taken while cleaning/carrying the appliance not to touch the bottom of the condenser metal wires at the back of the appliance, as this could cause injury to fingers and hands.
- Do not attempt to sit or stand on top of your appliance as it is not designed for such use. You could injure yourself or damage the appliance.
- Make sure that the mains cable is not caught under the appliance during and after moving, as this could damage the cable.
- Do not allow children to play with the appliance or tamper with the controls.

### **Installation instructions**

1. Do not keep your appliance in a room where the temperature is likely to fall below 10 degrees C (50 degrees F) at night and/or especially in winter, as it is designed to operate in ambient temperatures between +10 and +38 degrees C (50 and 100 degrees F). At lower temperatures the appliance may not operate, resulting in a reduction in the storage life of the food.

2. Do not place the appliance near cookers or radiators or in direct sunlight, as this will cause extra strain on the appliance's functions. If installed next to a source of heat or freezer, maintain the following minimum side clearances:

From Cookers 30 mm

From Radiators 300 mm

From Freezers 25 mm

3. Make sure that sufficient room is provided around the appliance to ensure free air circulation (**Item 2**).

- Put the back airing lid to the back of your refrigerator to set the distance between the refrigerator and the wall (**Item 3**).

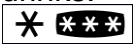

4. The appliance should be positioned on a smooth surface. The two front feet can be adjusted as required. To ensure that your appliance is standing upright adjust the two front feet by turning clockwise or anti-clockwise, until firm contact is secured with the floor. Correct adjustment of feet prevents excessive vibration and noise (**Item 4**).
5. Refer to "Cleaning and Care" section to prepare your appliance for use.

### **Getting to know your appliance (Item 1)**

- 1 - Freezer shelf
- 2 - Fan
- 3 - Thermostat and lamp housing
- 4 - Adjustable Cabinet shelves
- 5 - Wine bottles support
- 6 - Defrost water collection channel - Drain tube
- 7- Crisper cover
- 8 - Crisper
- 9 - Adjustable front feet
- 10 - Dairy Compartment
- 11 - Shelves
- 12 - Bottle shelf

### **Suggested arrangement of food in the appliance**

Guidelines for obtaining optimum storage and hygiene:

1. The fridge compartment is for the short-term storage of fresh food and drinks.
2. The freezer compartment is  rated and suitable for the freezing and storage of pre-frozen food. The recommendation for  storage as stated on the food packaging should be observed at all times.
3. Dairy products should be stored in the special compartment provided in the door liner.
4. Cooked dishes should be stored in airtight containers.

5. Fresh wrapped produce can be kept on the shelf. Fresh fruit and vegetables should be cleaned and stored in the crispers.
6. Bottles can be kept in the door section.
7. To store raw meat, wrap in polythene bags and place on the lowest shelf. Do not allow to come into contact with cooked food, to avoid contamination. For safety, only store raw meat for two to three days.
8. For maximum efficiency, the removable shelves should not be covered with paper or other materials to allow free circulation of cool air.
9. Do not keep vegetable oil on door shelves. Keep the food packed, wrapped or covered. Allow hot food and beverages to cool before refrigerating. Leftover canned food should not be stored in the can.
10. Fizzy drinks should not be frozen and products such as flavoured water ices should not be consumed too cold.
11. Some fruit and vegetables suffer damage if kept at temperatures near 0°C. Therefore wrap pineapples, melons, cucumbers, tomatoes and similar produce in polythene bags.
12. High-proof alcohol must be stored upright in tightly closed containers. Never store products that contain an inflammable propellant gas (e.g. cream dispensers, spray cans, etc.) or explosive substances. These are an explosion hazard.

## **Temperature control and adjustment**

Operating temperatures are controlled by the thermostat knob and may be set at any position between 1 and 5 (the coldest position).

If the thermostat knob is in position "0" the appliance is off. In this case neither the lamp for inside lighting will light.

The average temperature inside the fridge should be around +5°C (+41°F).

Therefore adjust the thermostat to obtain the desired temperature. Some sections of the fridge may be cooler or warmer (such as salad crisper and top part of the cabinet) which is quite normal. We recommend that you check the temperature periodically with a thermometer to ensure that the cabinet is kept to this temperature. Frequent door openings cause internal temperatures to rise, so it is advisable to close the door as soon as possible after use.

## **Before operating**

### **Final Check**

Before you start using the appliance check that:

1. The feet have been adjusted for perfect levelling.
2. The interior is dry and air can circulate freely at the rear.
3. The interior is clean as recommended under "Cleaning and care."
4. The plug has been inserted into the wall socket and the electricity is switched on. When the door is open the interior light will come on.

### **And note that:**

5. You will hear a noise as the compressor starts up. The liquid and gases sealed within the refrigeration system may also make some (noise), whether the compressor is running or not. This is quite normal.
6. Slight undulation of the top of the cabinet is quite normal due to the manufacturing process used; it is not a defect.

7. We recommend setting the thermostat knob midway and monitor the temperature to ensure the appliance maintains desired storage temperatures (See section Temperature Control and Adjustment).

8. Do not load the appliance immediately it is switched on. Wait until the correct storage temperature has been reached. We recommend checking the temperature with an accurate thermometer (see; Temperature Control and Adjustment).

## **Storing frozen food**

Your freezer is suitable for the long-term storage of commercially frozen foods and also can be used to freeze and store fresh food. If there is a power failure, do not open the door. Frozen food should not be affected if the failure lasts for less than 19 hrs. If the failure is longer, then the food should be checked and either eaten immediately or cooked and then re-frozen.

## **Freezing fresh food**

Please observe the following instructions to obtain the best results.

Do not freeze too large a quantity at any one time. The quality of the food is best preserved when it is frozen right through to the core as quickly as possible.

Do not exceed the freezing capacity of your appliance in 24 h.

Placing warm food into the freezer compartment causes the refrigeration machine to operate continuously until the food is frozen solid. This can temporarily lead to excessive cooling of the refrigeration compartment.

When freezing fresh food, keep the thermostat knob at medium position. Small quantities of food up to 1/2 kg. (1 lb) can be frozen without adjusting the temperature control knob.

Take special care not to mix already frozen food and fresh food.

### ***Making ice cubes***

Fill the ice - cube tray 3/4 full with water and place it in the freezer. Loosen frozen trays with a spoon handle or a similar implement; never use sharp-edged objects such as knives or forks.

### ***Defrosting***

#### ***A) Fridge compartment***

The fridge compartment defrosts automatically. The defrost water runs to the drain tube via a collection container at the back of the appliance **(Item 5)**.

During defrosting, water droplets may form at the back of the fridge compartment where a concealed evaporator is located. Some droplets may remain on the liner and refreeze when defrosting is completed. Do not use pointed or sharp-edged objects such as knives or forks to remove the droplets which have refrozen.

If, at any time, the defrost water does not drain from the collection channel, check that no food particles have blocked the drain tube. The drain tube can be cleared with a pipe-cleaner or similar implement.

Check that the tube is permanently placed with its end in the collecting tray on the compressor to prevent the water spilling on the electric installation or on the floor **(Item 6)**.

#### ***B) Freezer compartment***

Defrosting is very straightforward and without mess, thanks to a special defrost collection basin.

Defrost twice a year or when a frost layer of around 7 (1/4") mm has formed. To start the defrosting procedure, switch off the appliance at the socket outlet and pull out the mains plug.

All food should be wrapped in several layers of newspaper and stored in a cool place (e.g. fridge or larder).

Containers of warm water may be placed carefully in the freezer to speed up the defrosting.

Do not use pointed or sharp-edged objects, such as knives or forks to remove the frost. Never use hairdryers, electrical heaters or other such electrical appliances for defrosting. Sponge out the defrost water collected in the bottom of the freezer compartment. After defrosting, dry the interior thoroughly. Insert the plug into the wall socket and switch on the electricity supply.

### **Replacing the interior light bulb**

To change the Bulb/LED used for illumination of your refrigerator, call your Authorised Service.

The lamp(s) used in this appliance is not suitable for household room illumination. The intended purpose of this lamp is to assist the user to place foodstuffs in the refrigerator/freezer in a safe and comfortable way.

The lamps used in this appliance have to withstand extreme physical conditions such as temperatures below -20°C.

### **Cleaning and care**

1. We recommend that you switch off the appliance at the socket outlet and pull out the mains plug before cleaning.
2. Never use any sharp instruments or abrasive substances, soap, household cleaner, detergent or wax polish for cleaning.
3. Use luke warm water to clean the cabinet of the appliance and wipe it dry.
4. Use a damp cloth wrung out in a solution of one teaspoon of bicarbonate of soda to one pint of water to clean the interior and wipe it dry.
5. Make sure that no water enters the temperature control box.
6. If the appliance is not going to be used for a long period of time, switch it off, remove all food, clean it and leave the door ajar.
7. We recommend that you polish the metal parts of the product (i.e. door exterior, cabinet sides) with a silicone wax (car polish) to protect the high quality paint finish.
8. Any dust that gathers on the condenser, which is located at the back of the appliance, should be removed once a year with a vacuum cleaner.
9. Check door seals regularly to ensure they are clean and free from food particles.

10. Never:

- Clean the appliance with unsuitable material; eg petroleum based products.
  - Subject it to high temperatures in any way,
  - Scour, rub etc., with abrasive material.
11. Removal of dairy cover and door tray :
- To remove the dairy cover, first lift the cover up by about an inch and pull it off from the side where there is an opening on the cover.
  - To remove a door tray, remove all the contents and then simply push the door tray upwards from the base.
12. Make sure that the special plastic container at the back of the appliance which collects defrost water is clean at all times. If you want to remove the tray to clean it, follow the instructions below:
- Switch off at the socket outlet and pull out the mains plug
  - Gently uncrimp the stud on the compressor, using a pair of pliers, so that the tray can be removed
  - Lift it up.
  - Clean and wipe it dry
  - Reassemble, reversing the sequence and operations
13. Large accumulation of ice will impair the performance of the appliance.

### **Repositioning the door**

Proceed in numerical order (**Item 7**).

**Do's and don'ts**

- Do-** Clean and defrost your appliance regularly (See "Defrosting")
- Do-** Keep raw meat and poultry below cooked food and dairy products.
- Do-** Take off any unusable leaves on vegetables and wipe off any soil.
- Do-** Leave lettuce, cabbage, parsley and cauliflower on the stem.
- Do-** Wrap cheese firstly in greaseproof paper and then in a polythene bag, excluding as much air as possible. For best results, take out of the fridge compartment an hour before eating.
- Do-** Wrap raw meat and poultry loosely in polythene or aluminium foil. This prevents drying.
- Do-** Wrap fish and offal in polythene bags.
- Do-** Wrap food with a strong odour or which may dry out, in polythene bags, or aluminium foil or place in airtight container.
- Do-** Wrap bread well to keep it fresh.
- Do-** Chill white wines, beer, lager and mineral water before serving.
- Do-** Check contents of the freezer every so often.
- Do-** Keep food for as short a time as possible and adhere to "Best Before" and "Use by" etc. dates.
- Do-** Store commercially frozen food in accordance with the instructions given on the packets.
- Do-** Always choose high quality fresh food and be sure it is thoroughly clean before you freeze it.
- Do-** Prepare fresh food for freezing in small portions to ensure rapid freezing.
- Do-** Wrap all food in aluminium foil or freezer quality polythene bags and make sure any air is excluded.
- Do-** Wrap frozen food immediately after purchasing and put it in to the freezer as soon as possible.
- Do-** Defrost food in the fridge compartment.
- Don't-** Store bananas in your fridge compartment.
- Don't-** Store melon in your fridge. It can be chilled for short periods as long as it is wrapped to prevent it flavouring other food.
- Don't-** Cover the shelves with any protective materials which may obstruct air circulation.
- Don't-** Store poisonous or any dangerous substances in your appliance. It has been designed for the storage of edible foodstuffs only.
- Don't-** Consume food which has been refrigerated for an excessive length of time.
- Don't-** Store cooked and fresh food together in the same container. They should be packaged and stored separately.
- Don't-** Let defrosting food or food juices drip onto food.
- Don't-** Leave the door open for long periods, as this will make the appliance more costly to run and cause excessive ice formation.
- Don't-** Use sharp edged objects such as knives or forks to remove the ice.
- Don't-** Put hot food into the appliance. Let it cool down first.
- Don't-** Put liquid-filled bottles or sealed cans containing carbonated liquids into the freezer, as they may burst.
- Don't-** Exceed the maximum freezing loads when freezing fresh food.
- Don't-** Give children ice-cream and water ices direct from the freezer. The low temperature may cause 'freezer burns' on lips.
- Don't-** Freeze fizzy drinks.
- Don't-** Try to keep frozen food which has thawed; it should be eaten within 24 hours or cooked and refrozen.
- Don't-** Remove items from the freezer with wet hands.

### ***Trouble - shooting***

If the appliance does not operate when switched on, check;

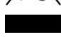
- That the plug is inserted properly in the socket and that the power supply is on. (To check the power supply to the socket, plug in another appliance).
- Whether the fuse has blown/circuit breaker has tripped/main distribution switch has been turned off.

- That the temperature control has been set correctly.
- That the new plug is wired correctly, if you have changed the fitted, moulded plug.

If the appliance is still not operating at all after above checks, contact the dealer from whom you purchased the unit.

Please ensure that above checks have been done, as a charge will be made if no fault is found.



The symbol  on the product or on packaging indicates that this product may not be treated as household waste. Instead it shall be handed over to the applicable collection point for the recycling of electrical and electronic equipment. By ensuring this product is disposed of correctly, you will help prevent potential negative consequences for the environment and human health, which could otherwise be otherwise be caused by inappropriate waste handling of this product. For more detailed information about recycling of this product, please contact your local city office, you household waste disposal service or the shop where you purchased the product.

Complimenti per la scelta di un **BEKO** elettrodomestico di qualità, progettato per una lunga durata.

### ***Innanzitutto la sicurezza!***

Non collegare l'elettrodomestico all'alimentazione elettrica finché non sono stati rimossi l'imballaggio e le protezioni per il trasporto.

- Lasciare l'elettrodomestico diritto per almeno 12 ore prima di accenderlo, per consentire all'olio del compressore di risistemarsi se è stato trasportato in modo orizzontale.
- Se si dismette un elettrodomestico vecchio con lucchetto o chiusura sullo sportello, assicurarsi che sia in condizione di sicurezza per evitare che un bambino vi resti intrappolato.
- Questo elettrodomestico deve essere utilizzato esclusivamente per l'uso per cui è stato progettato.
- Non gettare l'elettrodomestico nel fuoco. L'elettrodomestico contiene sostanze non CFC nel materiale isolante che sono infiammabili. Si consiglia di contattare l'autorità locale per informazioni sullo smaltimento e sugli impianti disponibili.
- È sconsigliato l'utilizzo dell'elettrodomestico in ambienti freddi e non riscaldati (ad esempio garage, serra, dipendenza, rimessa, giardino, etc.).

Per ottenere le migliori prestazioni possibili e un funzionamento senza problemi è molto importante leggere con attenzione le seguenti informazioni. La mancata osservanza di queste istruzioni può invalidare il diritto alla manutenzione gratuita in periodo di garanzia.

Conservare queste istruzioni al sicuro per una rapida consultazione.

I pezzi di ricambio originali verranno forniti per 10 anni, successivamente alla data di acquisto del prodotto.

**Questo apparecchio elettrico non è inteso per essere utilizzato da persona con handicap fisico, e/o mentale o con mancanza di esperienza e competenza anche se ad esse siano state date istruzioni concernenti l'uso da un supervisore o da persona con esperienza.**

**I bambini devono essere supervisionati da un adulto affinché non utilizzino l'apparecchio per il gioco.**



### **Requisiti elettrici**

Prima di inserire la spina nella presa a muro assicurarsi che la tensione e la frequenza riportate sull'etichetta informativa all'interno dell'elettrodomestico corrispondano all'alimentazione in uso.

Si consiglia di collegare questo elettrodomestico alla rete di alimentazione tramite una presa dotata di interruttore e fusibile in una posizione facilmente accessibile.

### **Avvertenza! Questo elettrodomestico deve essere dotato di messa a terra.**

Le riparazioni all'apparecchiatura elettrica devono essere eseguite esclusivamente da tecnici qualificati. Riparazioni errate eseguite da persone non qualificate possono provocare conseguenze cruciali per l'utilizzatore dell'elettrodomestico.

### **ATTENZIONE!**

Questo elettrodomestico utilizza il gas R600a che rispetta l'ambiente ma è infiammabile. Durante il trasporto e l'installazione del prodotto è necessario fare attenzione a non danneggiare il sistema di raffreddamento. Se il sistema di raffreddamento è danneggiato e vi è perdita di gas dal sistema, tenere il prodotto lontano da fiamme e ventilare la stanza per il tempo necessario.

**AVVERTENZA** - Non utilizzare apparecchiature meccaniche o altri mezzi diversi da quelli consigliati dal produttore per accelerare il processo di sbrinamento.

**AVVERTENZA** - Non danneggiare il circuito del refrigerante.

**AVVERTENZA** - Non utilizzare componenti elettrici all'interno degli scomparti per la conservazione del cibo, a meno che non siano del tipo consigliato dal produttore.

**AVVERTENZA** - Se il cavo di alimentazione è danneggiato, deve essere sostituito dal produttore, dal suo agente per l'assistenza o da persone similmente qualificate per evitare rischi.

### **Istruzioni per il trasporto**

1. L'elettrodomestico deve essere trasportato solo in posizione verticale. L'imballaggio fornito deve essere intatto durante il trasporto.

2. Se l'elettrodomestico è stato trasportato in posizione orizzontale, non deve essere messo

in funzione per almeno 12 ore per consentire al sistema di risistemarsi.

3. La mancata osservanza delle istruzioni sopra riportate può causare danni all'elettrodomestico dei quali il produttore non è responsabile.

4. L'elettrodomestico deve essere protetto da pioggia, umidità e altri fenomeni atmosferici.

### **Importante!**

- È necessario fare attenzione quando si pulisce/trasporta l'elettrodomestico affinché quest'ultimo non tocchi la parte inferiore dei cavi metallici del condensatore sulla parte posteriore dell'elettrodomestico in quanto potrebbero verificarsi lesioni alle dita e alle mani.
- Non tentare di sedersi o di stare in piedi sull'elettrodomestico poiché non è progettato per tale uso. Potrebbero risultarne lesioni personali o danni all'elettrodomestico.
- Assicurarsi che i cavi principali non siano impigliati sotto l'elettrodomestico durante e dopo lo spostamento poiché potrebbero derivarne danni ai cavi.
- Non permettere ai bambini di giocare con l'elettrodomestico o di manomettere i comandi.

### **Istruzioni di installazione**

1. Non tenere l'elettrodomestico in un ambiente in cui la temperatura scenderà con ogni probabilità sotto i 10°C (50°F) di notte e/o in inverno, poiché è progettato per il funzionamento a temperature comprese tra i +10 e +38°C (50 e 100°F). A temperature più basse, l'elettrodomestico potrebbe non funzionare, provocando una riduzione nella durata di conservazione del cibo.

2. Non posizionare l'elettrodomestico vicino a fornelli o radiatori o alla luce diretta del sole, poiché ciò causerebbe ulteriore sollecitazione sulle funzioni dell'elettrodomestico. Se viene installato accanto a una fonte di calore o a un freezer, mantenere le seguenti distanze laterali minime:

Da fornelli 30 mm

Da radiatori 300 mm

Da freezer 25 mm

3. Assicurarsi che ci sia spazio sufficiente intorno all'elettrodomestico per garantire la libera circolazione dell'aria (**elemento 2**).

• Collocare il coperchio di aerazione posteriore sul retro del frigorifero per impostare la distanza tra il frigorifero e il muro (**elemento 3**).

4. L'elettrodomestico deve essere collocato su una superficie piana. È possibile regolare i due piedi anteriori come necessario. Per assicurare che l'elettrodomestico sia in posizione verticale regolare i due piedi anteriori ruotandoli in senso orario o antiorario finché non si ottiene contatto stabile con il pavimento. La corretta regolazione dei piedi previene vibrazione e rumore eccessivi **(elemento 4)**.



5. Consultare il capitolo "Pulizia e manutenzione" per preparare l'elettrodomestico per l'uso.

### **Conoscere l'elettrodomestico (elemento 1)**

- 1 - Mensola del freezer
- 2 - Ventilatore
- 3 - Alloggiamento del termostato e della spia
- 4 - Mensole regolabili dell'armadietto
- 5 - Supporto per bottiglie di vino
- 6 - Canale di raccolta dell'acqua di sbrinamento - Tubo di scarico
- 7 - Coperchio scomparto frutta e verdura
- 8 - Scomparto frutta e verdura
- 9 - Piedi anteriori regolabili
- 10 - Scomparto latticini
- 11 - Mensole
- 12 - Mensola bottiglie

### **Suggerimenti sulla disposizione del cibo nell'elettrodomestico**

Linee guida per ottenere la conservazione e l'igiene ottimale:

1. Lo scomparto frigo serve per la conservazione a breve termine di cibi freschi e bevande.
2. Lo scomparto del freezer  è adatto al congelamento e alla conservazione di cibo precongelato. È necessario osservare sempre i consigli per la conservazione  riportati sulla confezione dei cibi.
3. I prodotti caseari devono essere conservati in uno scomparto speciale presente nello sportello.
4. I piatti cotti devono essere conservati in contenitori a tenuta d'aria.
5. I prodotti freschi incartati possono essere

conservati sulla mensola. La frutta fresca e le verdure devono essere puliti e conservati nello scomparto apposito.

6. È possibile conservare le bottiglie nell'apposito spazio nello sportello.

7. Per conservare carne cruda avvolgerla in buste di polietilene e collocarla sulla mensola più bassa. Non mettere la carne cruda in contatto con cibi cotti, per evitare contaminazioni. Per sicurezza conservare la carne cruda solo per due o tre giorni.

8. Per la massima efficienza le mensole amovibili non devono essere coperte di carta o altri materiali affinché sia possibile la libera circolazione dell'aria fredda.

9. Non conservare oli vegetali sulle mensole dello sportello. Conservare i cibi confezionati, incartati o coperti. Permettere ai cibi e alle bevande calde di raffreddarsi prima di inserirle nel frigorifero. I cibi in scatole di latta parzialmente consumati non devono essere conservati nella latta.

10. Non congelare bevande gasate e non consumare prodotti come cubetti di ghiaccio aromatizzati troppo freddi.

11. Alcuni tipi di frutta e verdura si rovinano se conservati a temperature intorno a 0°C.

Pertanto avvolgere ananas, meloni, cetrioli e prodotti simili in buste di polietilene

12. I super alcolici devono essere conservati in posizione verticale in contenitori ben chiusi. Non conservare mai prodotti che contengono gas propellenti infiammabili (ad esempio erogatori di crema, bombolette spray, ecc.) o sostanze esplosive. Sono a rischio di esplosione.

### **Controllo e regolazione della temperatura**

Le temperature di funzionamento vengono regolate con la manopola del termostato e possono essere impostate tra i valori 1 e 5 (la posizione più fredda).

Se la manopola del termostato è nella posizione "0" l'elettrodomestico è spento. In tal caso la luce interna non si illuminerà.

La temperatura media all'interno del frigo dovrebbe essere intorno a +5°C (+41°F).

Pertanto regolare il termostato per ottenere la temperatura desiderata. Alcune sezioni del frigorifero possono essere più calde o più fredde

(come lo scomparto per l'insalata e la parte superiore dell'armadietto) il che è normale. Si consiglia di controllare periodicamente la temperatura con un termometro per garantire che l'armadietto mantenga questa temperatura. Aperture frequenti dello sportello causano l'innalzamento della temperatura interna, pertanto si consiglia di chiudere lo sportello appena possibile dopo l'utilizzo.

### **Prima della messa in funzione**

#### **Controllo finale**

Prima di cominciare a utilizzare l'elettrodomestico controllare che:

1. I piedi siano stati regolati per un livellamento perfetto.
2. L'interno sia asciutto e l'aria circoli liberamente nella parte posteriore.
3. L'interno sia pulito come consigliato nel capitolo "Pulizia e manutenzione".
4. La spina sia stata inserita nella presa a muro e l'elettricità sia accesa. Quando lo sportello è aperto la luce interna è accesa.

#### **Si noti che:**

5. Si udrà un rumore quando il compressore si avvia. I liquidi e i gas sigillati nel sistema refrigerante possono produrre dei rumori, che il compressore sia in funzione o meno. Ciò è abbastanza normale.
6. La leggera ondulazione della parte superiore dell'armadietto è abbastanza normale a causa del processo di fabbricazione utilizzato: non si tratta di un difetto.
7. Si consiglia di impostare la manopola del termostato a metà strada e di monitorare la temperatura per assicurare che l'elettrodomestico mantenga la temperatura di conservazione desiderata (vedere il capitolo Controllo e regolazione della temperatura).
8. Non caricare l'elettrodomestico appena lo si accende. Attendere finché non viene raggiunta la temperatura di conservazioni corretta. Si consiglia di controllare la temperatura con un termometro di precisione (vedere il capitolo Controllo e regolazione della temperatura).

### **Conservazione di cibo congelato**

Il freezer è adatto alla conservazione a lungo termine di cibi congelati disponibili in commercio e può essere inoltre utilizzato per congelare e conservare cibi freschi.

In caso di interruzione di alimentazioni, non aprire lo sportello. Il cibo congelato non verrà danneggiato se la mancanza di alimentazione dura meno di 19 ore.

Se dura di più, è necessario controllare il cibo e mangiarlo immediatamente o cuocerlo e quindi congelarlo di nuovo.

### **Congelamento di cibi freschi**

Attenersi alle seguenti istruzioni per ottenere i risultati migliori.

Non congelare quantità troppo grandi in una volta sola. La qualità del cibo viene preservata in modo ottimale quando il cibo viene congelato il più velocemente possibile.

Non superare la capacità di congelamento dell'elettrodomestico in 24 ore.

Il posizionamento di cibi caldi nello scomparto freezer provoca il funzionamento continuo del refrigeratore finché il cibo non si solidifica. Ciò può causare un raffreddamento temporaneo eccessivo dello scomparto di refrigerazione.

Quando si congela cibo fresco, tenere la manopola del termostato in una posizione intermedia. È possibile congelare piccole quantità di cibo fino a 1/2 kg. (1 lb) senza regolare la manopola della temperatura. Fare attenzione a non mescolare cibi già congelati e cibi freschi.

### **Preparazione dei cubetti di ghiaccio**

Riempire la vaschetta per cubetti di ghiaccio per 3/4 con acqua e metterla nel freezer. Allentare la vaschetta congelata con un cucchiaino o un attrezzo simile; non utilizzare mai oggetti appuntiti come coltelli o forchette.

### **Sbrinamento**

#### **A) Scomparto frigo**

Lo scomparto frigo si sbrina automaticamente. L'acqua di sbrinamento scorre nel tubo di scarico tramite un contenitore di raccolta posizionato nella parte posteriore dell'elettrodomestico (**elemento 5**).

Durante lo sbrinamento, possono formarsi goccioline d'acqua nella parte posteriore dello scomparto frigo in cui è posto un evaporatore nascosto. Alcune goccioline possono rimanere sul bordo e congelarsi di nuovo al termine dello sbrinamento. Non utilizzare oggetti appuntiti come coltelli o forchette per

rimuovere le goccioline ricongelate. Se in qualsiasi momento l'acqua di sbrinamento non viene scaricata dal canale di raccolta, controllare che il tubo di scarico non sia stato ostruito da particelle di cibo. È possibile pulire il tubo di scarico con un pulitore per tubi o un attrezzo analogo. Controllare che il tubo sia collocato in modo stabile con l'estremità nel vassoio di raccolta sul compressore per evitare che l'acqua spruzzi sull'installazione elettrica o sul pavimento (**elemento 6**).

### **B) Scomparto freezer**

Lo sbrinamento è diretto e senza problemi, grazie a un bacino speciale di raccolta per lo sbrinamento.

Sbrinare due volte all'anno o quando si crea uno spessore di ghiaccio di circa 7 mm (1/4"). Per avviare la procedura di sbrinamento, spegnere l'elettrodomestico sulla presa e scollegare il cavo di alimentazione.

Tutto il cibo deve essere incartato in diversi strati di carta di giornale e conservato in un luogo fresco (ad esempio un frigorifero o una dispensa).

È possibile porre con attenzione contenitori di acqua calda nel freezer per accelerare lo sbrinamento.

Non utilizzare oggetti appuntiti come coltelli o forchette per rimuovere il ghiaccio.

Non utilizzare mai asciugacapelli, stufe o altri elettrodomestici simili per lo sbrinamento.

Pulire via l'acqua di sbrinamento raccolta nella parte inferiore dello scomparto freezer. Dopo lo sbrinamento, asciugare completamente l'interno. Inserire la spina nella presa a muro e accendere l'alimentazione elettrica.

### **Sostituzione della lampadina interna**

Per cambiare lampadina/LED utilizzati per illuminare il frigorifero, rivolgersi al Servizio Assistenza Autorizzato.

La lampada (le lampade) usata (usate) nell'apparecchiatura non è (sono) adatta (adatte) per l'illuminazione domestica. L'obiettivo previsto per questa lampada è quello di assistere l'utente in fase di posizionamento degli alimenti all'interno del frigorifero / congelatore in modo sicuro e comodo. Le lampadine utilizzate in questo apparecchio devono sopportare condizioni fisiche estreme come temperature inferiori a -20°C.

### **Pulizia e manutenzione**

1. Si consiglia di spegnere l'elettrodomestico dalla presa e di scollegare il cavo di alimentazione prima di pulire.

2. Non utilizzare mai attrezzi appuntiti o sostanze abrasive, saponi, detergenti per la casa o cere per la pulizia.

3. Utilizzare acqua tiepida per pulire l'armadietto del dispositivo e asciugarlo.

4. Utilizzare un panno umido intriso di una soluzione composta da un cucchiaino di bicarbonato di soda e da circa mezzo litro di acqua e pulire l'interno, quindi asciugare.

5. Assicurarsi che l'acqua non penetri nel quadro di comando della temperatura.

6. Se l'elettrodomestico non viene usato per un lungo periodo di tempo, spegnerlo, togliere tutti gli alimenti dal suo interno, pulirlo e lasciare lo sportello aperto.

7. Si consiglia di pulire le parti metalliche del prodotto (ad esempio l'esterno dello sportello e i lati dell'armadietto) con una cera al silicone (lucidante per auto) per proteggere la finitura della vernice di alta qualità.

8. La polvere che si raccoglie sul condensatore, che si trova sul retro dell'elettrodomestico, deve essere rimossa una volta all'anno con un aspirapolvere.

9. Controllare le guarnizioni dello sportello periodicamente per garantire che siano pulite e che non siano presenti particelle di cibo.

10. Non:

- Pulire l'elettrodomestico con sostanze non adatte ad esempio prodotti a base di petrolio.
- Esporre mai ad alte temperature in alcun modo.

- Strofinare, sfregare o simili con sostanze abrasive.

11. Rimozione del coperchio dello scomparto latticini e del vassoio dello sportello:

- Per rimuovere il coperchio dello scomparto latticini, sollevare prima il coperchio di circa tre centimetri ed estrarlo lateralmente dove si trova un'apertura sul coperchio.

- Per rimuovere il vassoio dello sportello, rimuovere tutto il contenuto e spingere semplicemente il vassoio verso l'alto.

12. Verificare che il contenitore speciale in plastica sul retro dell'elettrodomestico che

raccoglie l'acqua di sbrinamento sia sempre pulito. Per rimuovere il vassoio per pulirlo, attenersi alle istruzioni seguenti:

- Spegnere la presa di corrente ed estrarre la spina di rete.
- Aprire delicatamente la borchia sul compressore utilizzando un paio di pinze in modo che sia possibile rimuovere il vassoio
- Sollevarlo.
- Pulire e asciugare
- Rimontare invertendo la sequenza delle operazioni

13. Un grande accumulo di ghiaccio influenzerà negativamente le prestazioni del freezer.

### **Riposizionamento dello sportello**

Procedere seguendo l'ordine numerico (Elemento 7).

#### **Cosa fare e cosa non fare**

- Sì** - Pulire e sbrinare periodicamente l'elettrodomestico (vedere "Sbrinamento")
- Sì** - Conservare la carne e il pollame crudi sotto il cibo cotto e i prodotti caseari.
- Sì** - Togliere le foglie delle verdure non utilizzabili ed eliminare eventuale terra.
- Sì** - Lavare lattuga, cavolo, prezzemolo e cavolfiore su gambo.
- Sì** - Avvolgere i formaggi prima in carta a prova di grasso e quindi in una bustina in polietilene, escludendo l'aria quanto più possibile. Per migliori risultati estrarre il cibo dal frigorifero un'ora prima di mangiarlo.
- Sì** - Incartare la carne e il pollame crudi in fogli di polietilene o alluminio. In tal modo si evita la secchezza.
- Sì** - Avvolgere il pesce e le interiora in bustine in polietilene.
- Sì** - Avvolgere i cibi con odore forte o che possono seccarsi in bustine di polietilene o in fogli di alluminio oppure riporli in contenitori a tenuta d'aria.
- Sì** - Incartare bene il pane per conservarne la freschezza.
- Sì** - Raffreddare vini bianchi, birra, birra chiara e acqua minerale prima di servirli.
- Sì** - Controllare il contenuto del freezer frequentemente.
- Sì** - Conservare il cibo per brevi periodi come possibile e attenersi alle date di scadenza.
- Sì** - Conservare i cibi congelati in commercio seguendo le istruzioni presenti sulla confezione.
- Sì** - Scegliere sempre cibo fresco di alta qualità e assicurarsi che sia completamente pulito prima di congelarlo.
- Sì** - Preparare il cibo fresco per il congelamento in piccole porzioni per assicurare un congelamento rapido.
- Sì** - Incartare tutti i cibi in foglie di alluminio o in sacchetti in polietilene per freezer e assicurarsi di avere eliminato l'aria.
- Sì** - Avvolgere i cibi congelati subito dopo l'acquisto e metterli nel freezer appena possibile.
- Sì** - Scongelerare i cibi nello scomparto frigo.
- No** - Non conservare banane nello scomparto frigo.
- No** - Non conservare melone nel frigo. Può essere raffreddato per brevi periodi purché incartato per evitare che l'aroma contami gli altri cibi.
- No** - Non coprire le mensole con sostanze protettive che possono ostruire la circolazione dell'aria.
- No** - Non conservare sostanze velenose o pericolose nell'elettrodomestico. È stato progettato solo per la conservazione di cibi commestibili.
- No** - Non consumare cibo che è stato raffreddato per troppo tempo.
- No** - Non conservare cibi freschi e cotti insieme, nello stesso contenitore. Devono essere confezionati e conservati separatamente.
- No** - Non consentire a cibi scongelati o succhi di sgocciolare nei cibi.
- No** - Non lasciare lo sportello aperto per lunghi periodi poiché il funzionamento dell'elettrodomestico diventa più costoso e causa un'eccessiva formazione di ghiaccio.
- No** - Non usare mai oggetti con bordi taglienti come coltelli o forchette per rimuovere il ghiaccio.
- No** - Non introdurre cibi caldi nell'elettrodomestico. Attendere prima che si raffreddino.

- No** - Non inserire bottiglie riempite di liquidi o barattoli di latta contenenti liquidi carbonati nel freezer in quanto possono scoppiare.
- No** - Non superare il carico massimo di congelamento durante il congelamento di cibi freschi.
- No** - Non dare ai bambini gelati e ghiaccio presi direttamente dal freezer. La bassa temperatura può provocare bruciate da freddo alle labbra.
- No** - Non congelare bevande gasate.
- No** - Non tentare di conservare cibi congelati che si sono scongelati; devono essere mangiati entro 24 ore o cucinati e ricongelati.
- No** - Non rimuovere il cibo dal freezer con le mani bagnate.

### ***Risoluzione dei problemi***


Se l'elettrodomestico non funziona quando è acceso, controllare:

- che la spina sia inserita correttamente nella presa e che l'alimentazione sia accesa (per controllare l'alimentazione della presa, collegare ad essa un altro elettrodomestico).
- se il fusibile è bruciato/l'interruttore di distribuzione è spento.
- che il comando della temperatura sia impostato correttamente.
- che la nuova spina sia cablata correttamente se è stata cambiata la spina.

Se l'elettrodomestico ancora non funziona dopo i controlli elencati in precedenza, contattare il distributore presso il quale è stata acquistata l'unità.

rarsi di aver effettuato questi controlli poiché verrà richiesto un sovrapprezzo se non viene trovato alcun guasto.



Il simbolo  sul prodotto o sulla confezione indica che questo prodotto non può essere trattato come normale rifiuto domestico. Invece deve essere portato al punto di raccolta adatto per il riciclaggio delle apparecchiature elettriche ed elettroniche. Assicurando il corretto smaltimento di questo prodotto, si evitano potenziali conseguenze negative per l'ambiente e la salute, che potrebbero derivare da una gestione inappropriata del prodotto. Per informazioni più dettagliate sul riciclaggio di questo prodotto, contattare l'ufficio cittadino locale, il servizio di smaltimento dei rifiuti domestici o il negozio dove è stato acquistato il prodotto.

### **Инструкции за употреба**

Поздравления за Вашия избор на **ВЕКО** Качествени Уреди, създадени да Ви служат дълги години.

### **Сигурността преди всичко!**

Не включвайте Вашия уред към електрическата мрежа преди да свалите опаковката и предпазните средства за транспортиране.

- ◆ Оставете уреда неподвижен поне 4 часа преди включване, за да позволите компресорното масло да се установи в нормално положение, особено ако хладилника е транспортиран хоризонтално.
- ◆ При изхвърляне на уреда, свалете ключалката и резето за да предотвратите заключването на деца вътре в уреда.
- ◆ Използвайте уреда само по предназначение.
- ◆ Не излагайте уреда на огън, тъй като съдържа запалими съставки в своята изолация. Препоръчваме Ви да се свържете с близкия сервиз за информация и налични услуги.
- ◆ Не препоръчваме употреба на уреда в неотоплено, студено помещение. (като гараж, килер, мазе, тераса и т.н.)

За да получите максимално добро и безаварийно функциониране на уреда, е много важно да прочетете внимателно тези инструкции. Неспазването на инструкциите може да доведе до лишаването Ви от безплатен сервиз в гаранционния период.

Моля, пазете книжката с инструкции на сигурно място, лесно за справка.

**Този уред не е предназначен за употреба от хора с физически, сетивни и умствени проблеми както и от хора без опит и познания, освен ако те не са стриктно инструктирани от компетентно лице относно работата и мерките за безопасност.**

**Не оставяйте децата си да играят с уреда без надзор.**

## Електрически изисквания

Преди да включите уреда към електрическата мрежа, убедете се, че волтажа и честотата на мрежата отговарят на необходимите за работата на Вашия уред.

**Внимание!** Този уред трябва да бъде заземен.

Поправки по електрическата система трябва да се извършват само от квалифициран техник. Неправилни поправки от неквалифицирани хора крият риск от лоши последици за потребителя на уреда.

### Внимание!

Този уред работи с R600a, безопасен, но лесно запалим газ. При транспортиране и монтаж на уреда внимавайте да не повредите охладителната система. Ако охладителната система е повредена и има изтичане на газ от системата, пазете уреда от топлинни източници и задължително проветрете помещението.

**Предупреждение** – Не използвайте каквито и да е уреди за ускоряване на процеса на размразяване, освен тези препоръчани от производителя.

**Предупреждение** – Внимавайте за повреди на охладителната верига.

**Предупреждение** – Не поставяйте в хладилника/фризера електрически уреди, освен ако това не е изрично упоменато от производителя.

**Предупреждение** – При повреда в хранящия кабел, той трябва да бъде подменен от производителя, сервизен представител или друг квалифициран специалист с цел да се избегне всякакъв риск.

## Транспортни инструкции

1. Уреда трябва да се транспортира само изправен. Опаковката трябва да се запази непокътната по време на транспорта.

2. Ако по време на транспорта уреда е бил в хоризонтално положение, не трябва да се включва поне 4 часа, за да се установи системата.

3. Неспазването на инструкциите за експлоатация може да доведе до сериозни повреди на уреда – за което производителя не носи отговорност.

4. Уредът трябва да бъде защитен от дъжд, влага и други атмосферни влияния.

### Важно!

♦ Когато почиствате уреда, внимавайте да не докосвате кондензаторните метални жички на гърба, защото това може да доведе до нараняване на пръстите и ръцете.

♦ Не се опитвайте да седате или да стъпвате върху уреда, тъй като не е предназначен за такава употреба. Можете да се нараните или да повредите Вашия уред.

♦ Внимавайте за повреди на хранящия кабел при транспортирането и инсталирането.

♦ Не позволявайте деца да играят с уреда или управлението му.

## Инструкции при инсталиране

1. Не инсталирайте уреда в помещение, където температурата пада под 10°C през нощта и/или особено през зимата, тъй като е предназначен да работи при температури между +10 и +38°C.

2. Не поставяйте Вашия хладилник/фризер близо до печки или радиатори или на директна слънчева светлина, защото това предизвиква допълнително натоварване в работата на Вашия хладилник/фризер. Ако се налага поставяне в близост до източник на топлина или фризер, моля, спазвайте следните разстояния:

От Печки	30 мм
От Радиатори	300 мм
От Фризери	25 мм

3. Убедете се, че е осигурено достатъчно пространство около Вашия хладилник/фризер, за да осигурите свободна циркулация на въздух. (Фиг. 2)  
♦ Поставете капачето на задния панел на хладилника/фризера, като по този начин отделите хладилника/фризера от стената (Фиг. 3).



4. Поставете Вашия хладилник/фризер на равна повърхност. Двете предни крачета могат да се регулират чрез въртене по посока и обратна на въртенето на часовниковата стрелка. Нивелирането на Вашия уред предотвратява допълнителните вибрации и шум (Фиг. 4).

5. Вижте указанията “Почистване и грижи”, за да подготвите уреда за употреба.


### Запознаване с вашия уред (Фиг. 1)

- 1 - Фризер - решетка
- 2 - Фен
- 3 - Термостат и вътрешно осветление
- 4 - Подвижни рафтове
- 5 - Подвижни рафтове
- 6 - Дренажна тръба
- 7 - Капак на контейнера за плодове и зеленчуци
- 8 - Контейнер за съхранени на плодове и зеленчуци
- 9 - Предни крачета
- 10 - Контейнер с капак
- 11 - Поставка са буркани
- 12 - Поставки за бутилки

### Препоръки при подреждане на храната

Основни препоръки за получаване на оптимално съхранение и хигиена:

1. Този уред и предназначен за краткотрайно съхранение на пресни храни и напитки.

2. Контейнера маркиран с  е подходящ за замразяване и съхранение на храни.

3. Готвените храни трябва да се съхраняват в херметически съдове.

4. Опаковани продукти може да държите на рафтовете. Свежите плодове и зеленчуци трябва се съхраняват почистени в специалните чекмеджета отредени за тях.

5. Бутилките може да държите в отделението на вратата.

6. За съхранение на сурово месо, опаковайте в полиетиленови торбички и поставете на ниските рафтове. Не позволявайте да влиза в контакт с готвена храна, за да избегнете разлагане. За безопасност, съхранявайте сурово месо не повече от 2-3 дни.

7. За максимална ефективност подвижните рафтове не трябва да се покриват с хартия или други материали, за да се осигури свободна циркулация на студен въздух.

8. Не съхранявайте растително олио на рафтовете на вратата на хладилника. Дръжте храните опаковани или покрити. Изчакайте горещите храни и напитки да изстинат преди да ги замразите. Не съхранявайте отворена храна от консерва в консервената кутия.

9. Не замразявайте газирани напитки.

10. Някои плодове и зеленчуци се развалят, ако се съхраняват при температури около 0°C. По тази причина увивайте в полиетиленови торбички ананаси, краставици, домати и др.

11. Високоалкохолните напитки трябва да се съхраняват в изправено положение в здраво затворени бутилки. Никога не съхранявайте продукти, които съдържат лесно запалим газ (като спрейове, кремове и др.) или експлозивни вещества. Те представляват опасност от експлозия.

## Контрол на температурата и настройки

Работната температура се контролира от термостата и може да се настрои на всяка позиция между 1 и 5.

Средната температура вътре в хладилника трябва да бъде около +5°C.

Препоръчваме Ви да проверявате температурата периодично с термометър за да постигнете най-добрата температура. Честото отваряне на вратата води до покачване на вътрешната температура, затова е препоръчително вратата да се затваря веднага след употреба.

## Преди работа

Последна проверка

Преди да включите Вашия уред, уверете се, че:

1. Крачетата са регулирани в положение до перфектно нивелиране.
2. Вътрешността е суха и въздухът може свободно да циркулира зад уреда.
3. Вътрешността е чиста според препоръките на "Почистване и грижи"
4. Включвате щепсела към контакта на ел.мрежа. Зеленият и червеният индикатор ще светнат и компресора започва да работи.

## Обърнете внимание на следното:

5. Ще чуете звук, когато се включи компресора. Течността и газовете в охлаждащата система също могат да шумят леко, което е съвсем нормално.
6. Нормално е да се появи лека промяна в горната страна на Вашия уред, това се дължи на използваната производствена технология, това не е дефект.
7. Препоръчваме да настроите термостата на средно положение и да измерите температурата, за да се уверите, че уредът поддържа желаната температура за съхранение. (Виж "Контрол на температурата и настройки")

8. Не зареждайте Вашия уред веднага след включване. Изчакайте, докато достигне желаната температура. Препоръчваме измерване на температурата с точен термометър. (Виж "Контрол на температурата и настройки")

## Съхранение на замразена храна

Вашият фризер е подходящ за дългосрочно съхранение на готови замразени храни, може също да се използва за замразяване и съхранение на прясна храна.

При спиране на ел.ток или проблем в захранването, не отваряйте вратата. Замразената храна няма да пострада за срок до 19 часа. Ако ел.захранване не се възстанови в този период, тогава хранителните продукти трябва да се проверят и да се консумират незабавно или да се сготвят и да се замразят отново.

## Замразяване на пресни хранителни продукти

Моля, спазвайте следните инструкции за отлични резултати.

Не замразявайте наведнъж големи количества продукти. Качествата на храните се запазват най-добре, когато се замразят максимално бързо.

Не превишавайте фризерния капацитет на Вашия уред.

Поставянето на топла храна във фризера води до интензивна и продължителна работа на охлаждащата система докато храната не замръзне сигурно.

Когато замразявате пресни продукти, поставете термостата в средна позиция. При замразяване на малки количества храна до ½ кг. не е необходима настройка на термостата.

Вземете специални мерки да не смесвате вече замразена храна и пресни продукти.

## Лед

Напълнете с вода формите за лед на ниво  $\frac{3}{4}$  и ги поставете във фризера.

Изваждайте леда от формите с дръжката на лъжица или подобен предмет, никога не използвайте остри предмети като ножове или вилици.

## Размразяване

### А/ Хладилно отделение

Хладилното отделение се размразява автоматично. Размразената вода се стича към дренажната тръба чрез събирателен контейнер на гърба на уреда (Фиг. 5).

Капчиците вода могат да останат и да замръзнат отново след размразяването. Не използвайте остри предмети като ножове, вилици, за да отстраните замръзналите капчици.

Ако размразената вода не се изтича от събирателния канал, проверете дали хранителни частици не са блокирали дренажната тръба. Почистете внимателно дренажната тръба (Фиг. 6).

### Б/ Фризерно отделение

Размразяването е много бързо и безпроблемно, благодарение на специалното събирателно легенче. Размразявайте 2 пъти в годината или когато заледения слой стане над 7 мм. За да започне размразяването, изключете уреда от ел.мрежа. Всички хранителни продукти трябва да бъдат опаковани в няколко пласта хартия и съхранени на студено място (например хладилник или килер).

Съдове с топла вода могат да се поставят внимателно във фризера, за да ускорят размразяването.

Не използвайте остри предмети, като ножове или вилици, за да отстраните леда. Никога не използвайте сешоари за коса, електрически нагреватели или други подобни ел.уреди за размразяване.

Попийте събралата се размразена вода в дъното на фризерното отделение. След размразяване, подсушете напълно вътрешността. След това включете уреда отново.

## Подмяна на лампичката от вътрешното осветление

За да подмените лампичката в хладилника, моля обадете се в оторизирания сервиз. Лампата(ите) в този уред не са подходящи за осветление в битови помещения. Предназначението на тази лампа е да помага на потребителя да оставя хранителни продукти в хладилника/фризера по безопасен и удобен начин.

Лампите, използвани в този уред, трябва да издържат на екстремни физически условия като температура под  $-20^{\circ}\text{C}$ .

## Почистване и грижи

1. Препоръчваме преди почистване да изключите уреда от ел.мрежа.
2. Никога не използвайте остри инструменти или абразивни вещества, сапун, прах за пране и др.подобни за почистване.
3. Използвайте хладка вода за почистване и подсушавайте щателно.
4. За по-щателно почистване вътрешността на уреда, използвайте напоена кърпа в разтвор на сода бикарбонат и вода.
5. Не позволявайте вода да попада в отворите.
6. Ако няма да използвате уреда за дълго време, изключете го, извадете всички хранителни продукти, почистете го и оставете вратата откритата.
7. Препоръчваме да полирате металните части на продуктите (като външната част на вратата и стените на уреда).
8. Домашният прах, който се събира на гърба на уреда, трябва да се почиства с прахосмукачка веднъж годишно.
9. Проверявайте периодично уплътненията на вратите, за да сте сигурни, че не са зацапани с хранителни частици.

10. Никога:

- ♦ Не почиствайте уреда с неподходящи материали; като продукти на основата на петрол.
- ♦ В никакъв случай не излагайте уреда на висока температура.
- ♦ Не ползвайте абразивни материали за почистване.

11. Пластмасовия контейнер за събиране на размразен лед, винаги трябва да е добре почистен. За почистването му, следвайте следните инструкции:

- ♦ Преди почистването на контейнера изключете хладилника от захранващата мрежа.
- ♦ Внимателно свалете болтовете на компресора използвайки клещи, за да извадите пластмасовия контейнер.
- ♦ Повдигнете го леко нагоре.
- ♦ Сега можете да го почистите.
- ♦ След почистването, поставете го обратно.

12. Голямото натрупване на лед може да влоши работата на хладилника/фризера.

## Промяна посоката на отваряне на вратата

Действайте по посочения ред на приложената схема. (фиг. 7)

## Полезни съвети

- ♦ Почиствайте и размразявайте редовно Вашия уред. (вижте “Размразяване”).
- ♦ Съхранявайте сурово месо и птици под готвена храна и млечни продукти.
- ♦ Отстранявайте всички излишни листа и пръст от зеленчуците.
- ♦ Оставайте марули, зеле, магданоз и карфиол със стеблата.
- ♦ Завивайте сиренето първо в импрегнирана хартия, след това в полиетиленова торбичка максимално стегнато. За отлични резултати, изваждайте от хладилното отделение около един час преди консумация.

♦ Завивайте свободно сурово месо и птици в полиетиленово или алуминиево фолио. Това предпазва от изсушаване.

- ♦ Завивайте риба и карангия в полиетиленови торбички.
- ♦ Храни със силна миризма или бързо изсушаващи се поставяйте в полиетиленови торбички, алуминиево фолио или затворен съд.
- ♦ Опаковайте хляба добре, за да го запазите свеж.
- ♦ Охлаждайте бели вина, бира, минерална вода преди сервиране.
- ♦ Проверявайте често съдържанието на фризера.
- ♦ Съхранявайте възможно най-кратко храната и съблюдавайте сроковете на годност и датите за срок на консумация.
- ♦ Съхранявайте готовите замразени храни в съответствие с посочените инструкции на пакетите.
- ♦ Винаги избирайте висококачествени пресни хранителни продукти и почиствайте щателно преди замразяването им.
- ♦ Подгответе пресни хранителни продукти за замразяване на малки порции за осигуряване на бързо замразяване.
- ♦ Завивайте всички храни в алуминиево фолио или фризерни качествени полиетиленови торбички максимално стегнато и обезвъздушено.
- ♦ Завивайте замразените храни веднага след закупуване и ги поставяйте възможно най-скоро във фризера.
- ♦ Размразявайте храната в хладилното отделение.

- Не съхранявайте банани в хладилното отделение.
- Не съхранявайте пълеш в хладилното отделение. Само леко охлаждайте и то покрит, за да не се пренася миризмата му към другите продукти.
- Не покривайте рафтовете с хартия или друг материал, който би възпрепятствал въздушната циркулация.
- Не съхранявайте отровни или други опасни субстанции във Вашия уред. Той е предназначен за съхранение само на хранителни стоки.
- Не консумирайте храна с изтекъл срок на годност.
- Не съхранявайте в един и същ контейнер готвена и прясна храна едновременно. Те трябва да бъдат пакетирани и съхранявани отделно.
- Не позволявайте размразена храна или течност да пада върху хранителните продукти.
- Не оставяйте вратата отворена дълго време, тъй като това предизвиква консумация на повече ел.енергия и образуване на лед.
- Не използвайте остри предмети като ножове или вилици за отстраняване на леда.
- Не слагайте гореща храна в уреда. Първо я охлаждайте.
- Не замразявайте във фризера газирани напитки, тъй като могат да избухнат.
- Не надвишавайте капацитета на фризера, когато замразявате пресни продукти.
  - ♦ Не давайте на децата си сладолед или лед директно от фризера. Ниската температура може да причини "фризерно изгаряне" на устните.
  - ♦ Не се опитвайте да замразявате отново размразена храна. Тя трябва да се консумира в рамките на 24 часа или да се сготви и отново да се замрази.
  - ♦ Не изваждайте продукти от фризера с мокри ръце.

## Разрешение на проблеми

Ако уреда не работи, когато е включен, проверете:

- ♦ Правилно ли е поставен щепсела в контакта и включено ли е захранването. За да проверите изправен ли е контакта, включете към него друг ел.уред.
- ♦ Проверете бушоните или за повреди в захранването.
- ♦ Правилно ли е зададен контрола на температурата.
- ♦ Ако сте сменяли щепсела, уверете се, че е свързан правилно.

Ако уреда все пак не работи, се свържете с дилъра, от който сте купили уреда.



Символът  върху продукта или опаковката означава, че продуктът не бива да се третира като битови отпадъци. Вместо това трябва да се предаде в цъответния център за рециклиране на електрически и електронни уреди. Изхвърляйки този продукт по правилен начин, вие спомагате за предодвратяване на потенциални негативни последици за околната среда и човешкото здраве, които биха били причинени от неправилното изхвърляне на този продукт. За повече информация относно рециклирането на този продукт, моля обърнете се към местните власти, службата за събиране на битови отпадъци или магазина, където сте закупили продукта.







[www.beko.com](http://www.beko.com)

4578332244/AH  
EN-IT-BG