

PHILIPS

Wall light

myGarden

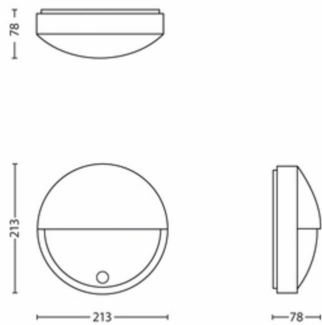
Capricorn IR

grey

LED



16456/87/16



Always light when you come home

This round dome Philips Capricorn LED outdoor wall light in light grey is made of durable die-cast aluminium and has a motion sensor for safety. The half-moon design brightens up outdoor areas with strong but diffuse warm white light.

Sustainable light solutions

- Energy saving
- High quality LED light
- Long operating life of up to 25 years
- Warm white light
- Philips offers a 5-year warranty on the LED module and driver

Designed for your garden

- Motion sensor included, for convenience and reassurance
- IP44 - weatherproof

Highlights

Energy saving



This Philips energy-saving lamp conserves energy compared with traditional light sources, helping you to save money on your electricity bills and do your bit for the environment.

High quality LED light



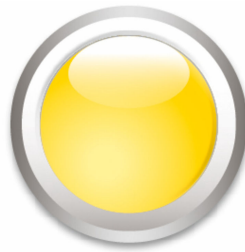
The LED technology integrated into this Philips lamp is a unique solution developed by Philips. It turns on instantly, enables an optimal light output and brings out vivid colours in your home.

Long operating life



A light source you can trust. The LED bulb, delivered with this Philips LED lamp, will last up to 25,000 hours (which equals 25 years on the basis of an average use of 3 hours/day with at least of 13,000 on/off switching cycles). It feels so good to think that you won't have to worry about maintenance or light bulb replacement while having the perfect light ambience in your home.

Warm white light



Light can have different colour temperatures, indicated in units called Kelvin (K). Lamps with a low Kelvin value produce a warm, more cosy light, while those with a higher Kelvin value produce a cool, more energising light. This Philips lamp offers warm white light for a cosy atmosphere.

5-year warranty on LED system



On top of the standard 2-year warranty for this lamp, Philips offers a 5-year warranty on the LED system, meaning the LED module and the driver in this lamp.

Motion sensor included



A motion sensor is included to welcome you when you return home or let you know when someone has arrived. When the sensor detects movement, the lamp switches on automatically.

IP44 - weatherproof

This Philips outdoor light is especially designed for humid outdoor environments. It was tested rigorously to ensure its water resistance. The IP level is described by two figures: the first one refers to the protection level against dust, the second against water. This outdoor light is designed with IP44: it is protected against splashing

water. This product is most commonly used and ideal for general outdoor use.

Specifications

Design and finishing

- Colour: grey
- Material: aluminium

Extra feature/accessory incl.

- 5 year warranty on the LED module: Yes
- Fully weatherproof: Yes
- LED integrated: Yes
- Motion sensor: Yes

Garden area

- Garden area: Front garden

Miscellaneous

- Especially designed for: Garden and Patio
- Style: Contemporary
- Type: Wall light
- EyeComfort: No

Power consumption

- Energy Efficiency Label: Built in LED

Product dimensions and weight

- Height: 21.4 cm
- Length: 21.4 cm
- Net weight: 0.490 kg
- Width: 7.8 cm

Service

- Warranty: 2 year(s)

Technical specifications

- Lifetime up to: 25,000 h
- Total lumen output fixture: 600 lm
- Mains power: 50 Hz
- Fixture dimmable: No
- LED: Yes
- Built-in LED: Yes
- Energy class included light source: Built-in LED
- Number of bulbs: 1
- Wattage bulb included: 6 W
- IP code: IP44
- Class of protection: II - double insulated
- Light source replaceable: No

Packaging dimensions and weight

- EAN/UPC - product: 8718696131176
- Net weight: 0.490 kg
- Gross weight: 0.610 kg
- Height: 221.000 mm
- Length: 86.000 mm
- Width: 216.000 mm
- Material number (12NC): 915005193101



Issue date: 2020-12-12
Version: 0.584

© 2020 Signify Holding. All rights reserved. Signify does not give any representation or warranty as to the accuracy or completeness of the information included herein and shall not be liable for any action in reliance thereon. The information presented in this document is not intended as any commercial offer and does not form part of any quotation or contract, unless otherwise agreed by Signify. Philips and the Philips Shield Emblem are registered trademarks of Koninklijke Philips N.V.