

SPECIFICATION SHEET



HDBaseT HDMI + USB Over Cat5 Extender

- Enables extension up to 100 metres
- Fully compliant with HDBaseT 2.0
- Extends HDMI audio/video at 4K resolution
- Extends USB 2.0, IR signal, and serial control communication and features
- Supports EDID pass-through and HDCP 2.2
- 3 year warranty

Specifications: HDBaseT HDMI + USB Over Cat5 Extender

Extension Distance:

3840x2160 @60 Hz	Up to 100m Using Solid Conductor Cat6
3840 x 2160 @30Hz	Up to 90m Using Solid Conductor Cat5e
1920x1080 @60Hz	Up to 100m Using Solid Conductor Cat5e

Video Interface:

HDMI Compliance:	1.4 and 2.0
EDID:	Pixel clock higher than 340MHZ Glueless interface to TMDS, DDC, CEC, and HPD HDMI signals
Uncompressed Video:	4K, 30Hz, 24bpp with 4:4:4 colour sampling 4K, 60Hz, 24bpp with 4:2:0 colour sampling

Audio Interface:

Supported Audio Formats:	All major digital audio formats including - Dolby Digital, Dolby TrueHD, DTS, DTS HD-Master Audio, Dolby Pro Logic 7.1 & 9.1, Standard SPDIF, I ² S
--------------------------	--

Control Interface:

USB:	USB 2.0 and 1.1
Extended Control:	IR, UART,MSIO-6 fast serial channels

Chip Set:

[*] Transmitter Chip Set: Valens Colligio VS2310TX

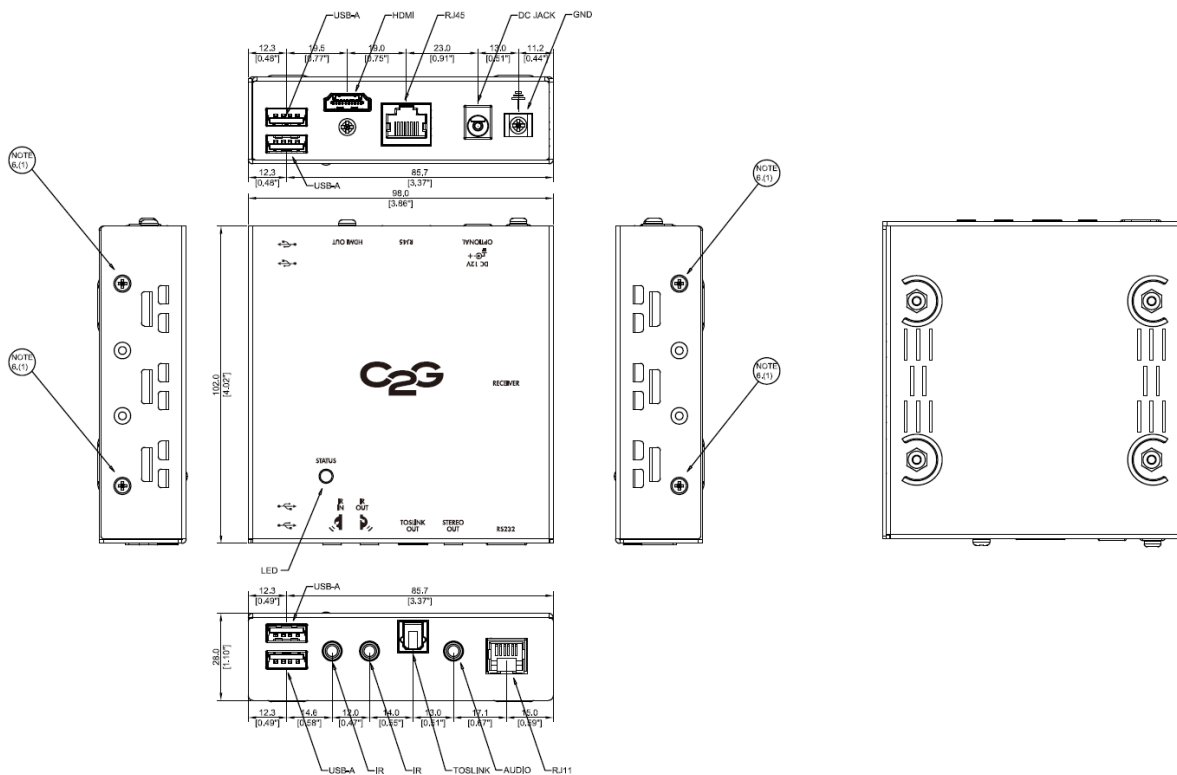
[*] Receiver Chip Set: Valens Colligio VS2310RX

[*] 5-Play Feature Support: All 5-Play features including audio, video, control, Ethernet, and power over a single cable up to 100m

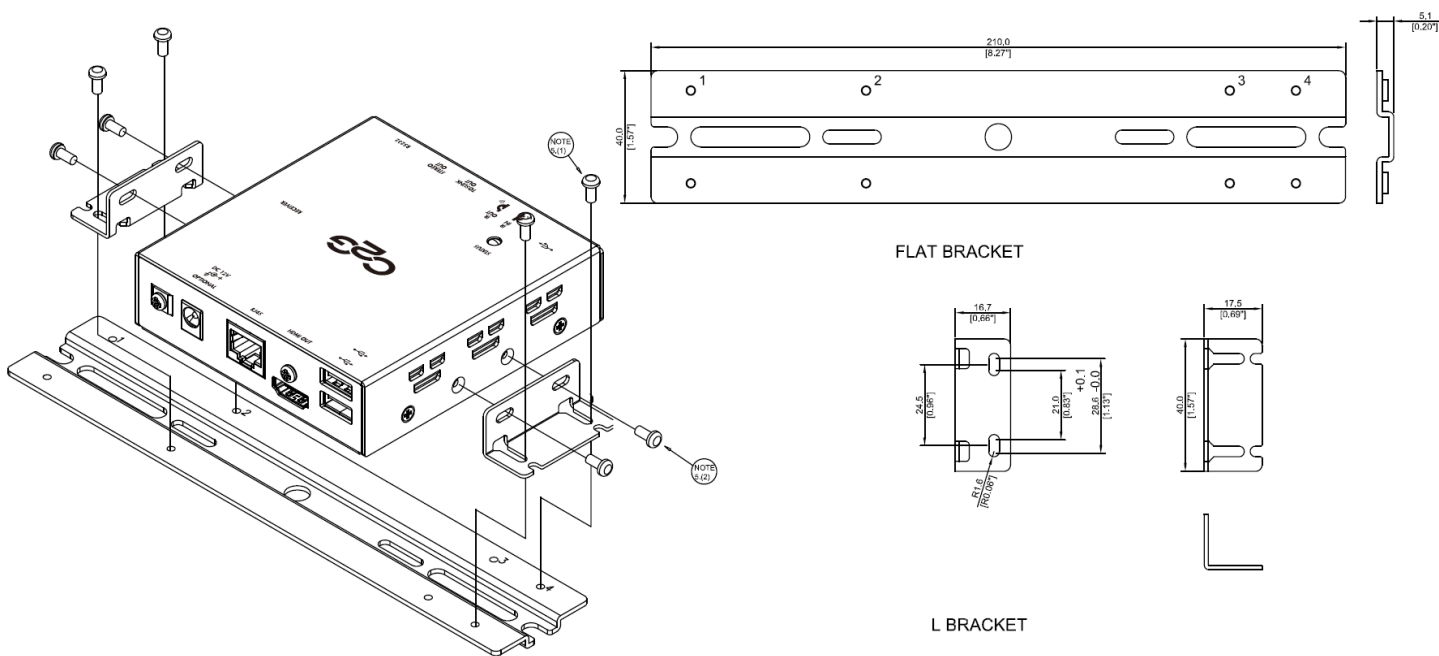


Specifications: HDBaseT HDMI + USB Over Cat5 Extender

Receiver:



Receiver Mounting Bracket:



Specifications: HDBaseT HDMI + USB Over Cat5 Extender

Electrical Specifications:

Data Through Put:	8Gbps HDBaseT traffic rate at 100 metres
Electrical Input:	100~240V AC, 50~60Hz; 1.2A
Electrical Output:	48V DC; 1.05A
Power Consumption:	Low power mode - 270mW (RX), 220mW (TX) / Max power consumption - 5.0W (RX), 3.5W (TX)
Power Adapter Dimensions (HxWxD):	121 x 52 x 33mm
Power Adapter Cable:	1530mm ± 15mm
Pin Outer Diameter:	5.5mm
Pin Inner Diameter:	1.7mm
Centre Pin Polarity:	Positive

Physical Specifications:

Transmitter Dimensions (HxWxD):	28x 98 x 102mm
Receiver Dimensions (HxWxD):	28 x 98 x 102mm
Operating Temperature:	0°C to 40°C; 0 to 80% RH (Non-Condensing)
Storage Temperature:	-10°C to 60°C; 0 to 80% RH (Non-Condensing)
Certifications:	CE, RoHS2, FCC, VCCI

Part Number	Description	Weight (lbs)
89510	4k HDMI and USB Over Cat5e Extender—HDBaseT Certified	3.60



Great King Street North
 Birmingham, West Midlands B19 2LF
 UK Phone (0)800 328 2916
 EMEA Phone +44 (0)1952 677300
www.c2g.com/uk

Follow Us

