



MASTER LEDspot LV

MAS LEDspotLV VLE D6.3-35W 827MR16 24DRN

Delivering a warm, halogen-like accent beam, MASTER LEDspot LV is an ideal retrofit solution for spot and general lighting applications in the hospitality industry. It is particularly suited to public areas such as receptions, lobbies, corridors, stairwells and washrooms, where the light is on all the time. The robustly designed MASTER LEDspot offers a choice of beam angles for a clearly defined beam spread. There is no UV or IR in the beam, making it suitable for illuminating heat-sensitive objects (food, organic materials, paintings, etc.). The patented intelligent driver enables broad compatibility with existing electromagnetic and electronic halogen transformers. The dimmable versions drive further efficiencies, while helping to create the desired atmosphere.

Product data

• General Information

Cap base	GU5.3 [GU5.3]
Nominal lifetime (nom.)	25000 h
Technical type	6.3-35W

• Light Technical

Beam Angle (Nom)	24 °
Light distribution	24D [Medium beam]
Luminous flux (nom.)	380 lm
Luminous flux (rated) (nom.)	380 lm
Luminous intensity (nom.)	1800 cd
Colour designation	Warm white (WW)
Rated beam angle	24 °
Correlated colour temperature (nom.)	2700 K
Luminous efficacy (rated) (nom.)	60.00 lm/W
Colour consistency	6 steps
Color rendering index (nom.)	80
LLMF at end of nominal lifetime (nom.)	70 %
Luminous Flux In 90° Cone (Rated)	380 lm

• Operating and Electrical

Power (Rated) (Nom)	6.3 W
Lamp current (nom.)	800 mA
Wattage equivalent	35 W
Starting time (max.)	0.5 s
Warm-up time to 60% light (nom.)	instant full light
Power factor (nom.)	0.7
Voltage (Nom)	12 V

• Temperature

T-Case maximum (nom.)	100 °C
-----------------------	--------

• Controls and Dimming

Dimmable	yes
----------	-----

• Approval and Application

Suitable for accent lighting	Yes
Energy efficiency label (EEL)	A
Energy Consumption kWh/1000 h	7 kWh

• Product Data

Full product code	871869649021100
-------------------	-----------------

PHILIPS

MASTER LEDspot LV

Order product name MAS LEDspotLV VLE D6.3-35W
827MR16 24DRN
EAN/UPC – product 8718696490211
Order code 49021100
Local Code MLEDV6WG532724N
Numerator – quantity per pack 1

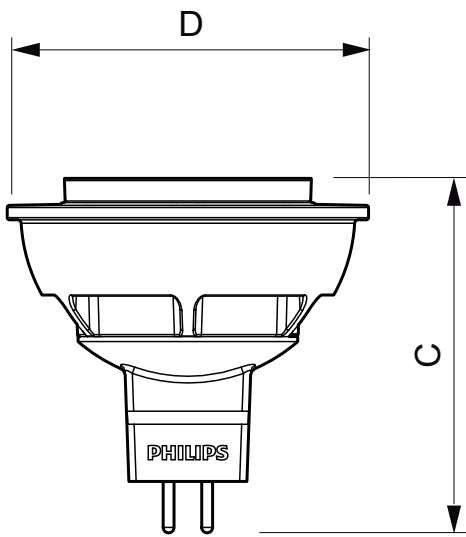
Numerator – packs per outer box 10
Material no. (12NC) 929001152102
Net weight (piece) 0.045 kg

Warnings and Safety

- Operating temperature range is between -20° C and 45° C ambient

- Only to apply in dry or damp locations and most of open fixtures with lamp-holders that offer sufficient space (10 mm free air space)
- Not intended for use with emergency light fixtures or exit lights

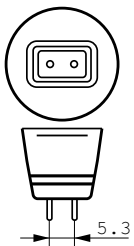
Dimensional drawing



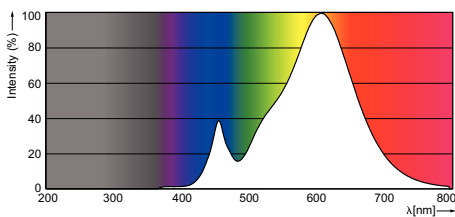
3,4-20W, 5,5-35W, 5,5-50W, 6,3-35W, 6,5-35 W GU5,3 MR16

LED VLE D 6.3-35W 827 MR16 24D

Product	D	C
MAS LEDspotLV VLE D6.3-35W 827MR16 24DRN	50,5 mm	50,5 mm



Photometric data





© 2016 Philips Lighting Holding B.V.
All rights reserved.

Specifications are subject to change without notice. Trademarks are the property of Koninklijke Philips N.V. (Royal Philips) or their respective owners.

www.philips.com/lighting

2016, May 18
data subject to change