



MASTER LEDspot LV

MAS LEDspotLV VLE D6.3-35W 827MR16 36DRN

Delivering a warm, halogen-like accent beam, MASTER LEDspot LV is an ideal retrofit solution for spot and general lighting applications in the hospitality industry. It is particularly suited to public areas such as receptions, lobbies, corridors, stairwells and washrooms, where the light is on all the time. The robustly designed MASTER LEDspot offers a choice of beam angles for a clearly defined beam spread. There is no UV or IR in the beam, making it suitable for illuminating heat-sensitive objects (food, organic materials, paintings, etc.). The patented intelligent driver enables broad compatibility with existing electromagnetic and electronic halogen transformers. The dimmable versions drive further efficiencies, while helping to create the desired atmosphere. Delivering a warm, halogen-like accent beam, MASTER LEDspot LV is an ideal retrofit solution for spot and general lighting applications in the hospitality industry. It is particularly suited to public areas such as receptions, lobbies, corridors, stairwells and washrooms, where the light is on all the time. The robustly designed MASTER LEDspot offers a choice of beam angles for a clearly defined beam spread. There is no UV or IR in the beam, making it suitable for illuminating heat-sensitive objects (food, organic materials, paintings, etc.). The patented intelligent driver enables broad compatibility with existing electromagnetic and electronic halogen transformers. The dimmable versions drive further efficiencies, while helping to create the desired atmosphere.

Product data

• General Information

Cap-Base	GU5.3 [GU5.3]
Bulb Shape	MR16 [2inch/50mm]
Nominal Lifetime (Nom)	25000 h
Switching Cycle	50000X
Technical Type	6.3-35W

• Light Technical

Colour Code	827 [CCT of 2700K]
Beam Angle (Nom)	36 °
Light Distribution	36D [Medium beam]

PHILIPS

MASTER LEDspot LV

Luminous Flux (Nom)	380 lm
Luminous Flux (Rated) (Nom)	380 lm
Luminous Intensity (Nom)	980 cd
Colour Designation	Warm White (WW)
Rated Beam Angle	36°
Colour Temperature, horizontal (Nom)	2700 K
Luminous Efficacy (rated) (Nom)	60.00 lm/W
Color Consistency	6 steps
Colour Rendering Index horiz (Nom)	80
LLMF At End Of Nominal Lifetime (Nom)	70 %
Luminous Flux In 90° Cone (Rated)	380 lm

• Operating and Electrical

Power (Rated) (Nom)	6.3 W
Lamp Current (Nom)	800 mA
Wattage Equivalent	35 W
Starting Time (Max)	0.5 s
Warm Up Time To 60% Light (Nom)	instant full light
Power Factor (Nom)	0.7
Voltage (Nom)	12 V

• Temperature

T-Case Maximum (Nom)	100 °C
----------------------	--------

• Controls and Dimming

Dimmable	Yes
----------	-----

• Approval and Application

Suitable For Accent Lighting	Yes
Energy Efficiency Label	A
Energy Consumption kWh/1000 h	7 kWh

• Product Data

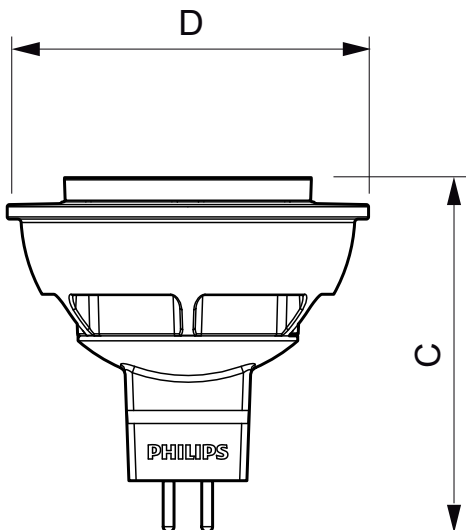
Full product code	871869649027300
Order product name	MAS LEDspotLV VLE D6.3-35W 827MR16 36DRN
EAN/UPC - Product	8718696490273
Order code	49027300
Numerator -	1
Quantity Per Pack per outer box	10
Numerator - Packs	10
Material Nr. (12NC)	929001151702
Net Weight (Piece)	0.045 kg

Warnings and Safety

- Operating temperature range is between -20° C and 45° C ambient

- Only to apply in dry or damp locations and most of open fixtures with lamp-holders that offer sufficient space (10 mm free air space)
- Not intended for use with emergency light fixtures or exit lights

Dimensional drawing

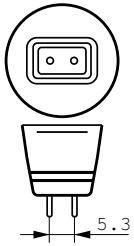


3.4-20W, 5.5-35W, 5.5-50W, 6.3-35W, 6.5-35 W GU5.3 MR16

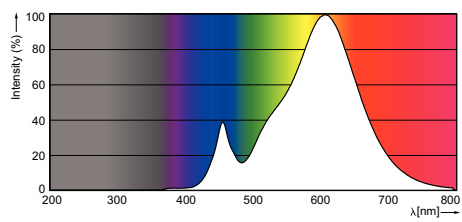
LED VLE D 6.3-35W 827 MR16 36D

Product	D	C
MAS LEDspotLV VLE D6.3-35W 827MR16 36DRN	50.5 mm	50.5 mm

Dimensional drawing



Photometric data



© 2016 Philips Lighting Holding B.V.
All rights reserved.

Specifications are subject to change without notice. Trademarks are the property of Koninklijke Philips N.V. (Royal Philips) or their respective owners.

www.philips.com/lighting

2016, June 2
data subject to change