



# MASTER LEDspot LV

MAS LEDspotLV VLE D6.3-35W 830MR16 24DRN

Delivering a warm, halogen-like accent beam, MASTER LEDspot LV is an ideal retrofit solution for spot and general lighting applications in the hospitality industry. It is particularly suited to public areas such as receptions, lobbies, corridors, stairwells and washrooms, where the light is on all the time. The robustly designed MASTER LEDspot offers a choice of beam angles for a clearly defined beam spread. There is no UV or IR in the beam, making it suitable for illuminating heat-sensitive objects (food, organic materials, paintings, etc.). The patented intelligent driver enables broad compatibility with existing electromagnetic and electronic halogen transformers. The dimmable versions drive further efficiencies, while helping to create the desired atmosphere. Delivering a warm, halogen-like accent beam, MASTER LEDspot LV is an ideal retrofit solution for spot and general lighting applications in the hospitality industry. It is particularly suited to public areas such as receptions, lobbies, corridors, stairwells and washrooms, where the light is on all the time. The robustly designed MASTER LEDspot offers a choice of beam angles for a clearly defined beam spread. There is no UV or IR in the beam, making it suitable for illuminating heat-sensitive objects (food, organic materials, paintings, etc.). The patented intelligent driver enables broad compatibility with existing electromagnetic and electronic halogen transformers. The dimmable versions drive further efficiencies, while helping to create the desired atmosphere.

## Product data

### • General Information

Cap-Base	GU5.3 [ GU5.3]
Bulb Shape	MR16 [ 2inch/50mm]
Nominal Lifetime (Nom)	25000 h
Switching Cycle	50000X
Technical Type	6.3-35W

### • Light Technical

Colour Code	830 [ CCT of 3000K]
Beam Angle (Nom)	24 °
Light Distribution	24D [ Medium beam]

**PHILIPS**

# MASTER LEDspot LV

Luminous Flux (Nom)	395 lm
Luminous Flux (Rated) (Nom)	395 lm
Luminous Intensity (Nom)	1800 cd
Colour Designation	White (WH)
Rated Beam Angle	24 °
Colour Temperature, horizontal (Nom)	3000 K
Luminous Efficacy (rated) (Nom)	63 lm/W
Color Consistency	6 steps
Colour Rendering Index horiz (Nom)	80
LLMF At End Of Nominal Lifetime (Nom)	70 %
Luminous Flux In 90° Cone (Rated)	395 lm

## • Operating and Electrical

Power (Rated) (Nom)	6.3 W
Lamp Current (Nom)	800 mA
Wattage Equivalent	35 W
Starting Time (Max)	0.5 s
Warm Up Time To 60% Light (Nom)	instant full light
Power Factor (Nom)	0.7
Voltage (Nom)	12 V

## • Temperature

T-Case Maximum (Nom)	100 °C
----------------------	--------

## • Controls and Dimming

Dimmable	Yes
----------	-----

## • Approval and Application

Suitable For Accent Lighting	Yes
Energy Efficiency Label	A
Energy Consumption kWh/1000 h	7 kWh

## • Product Data

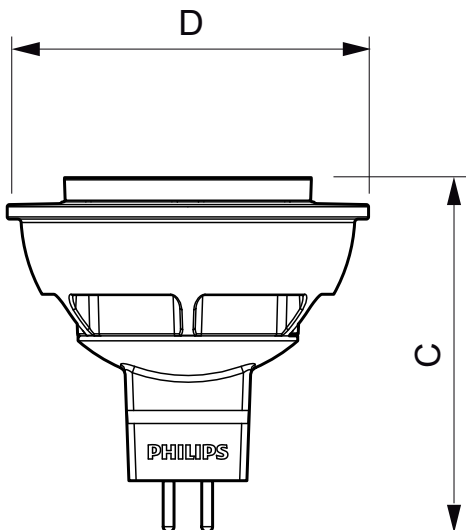
Full product code	871869649023500
Order product name	MAS LEDspotLV VLE D6.3-35W 830MR16 24DRN
EAN/UPC - Product	8718696490235
Order code	49023500
Numerator -	1
Quantity Per Pack per outer box	10
Numerator - Packs	10
Material Nr. (12NC)	929001151802
Net Weight (Piece)	0.045 kg

## Warnings and Safety

- Operating temperature range is between -20° C and 45° C ambient

- Only to apply in dry or damp locations and most of open fixtures with lamp-holders that offer sufficient space (10 mm free air space)
- Not intended for use with emergency light fixtures or exit lights

## Dimensional drawing

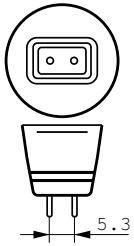


3.4-20W, 5.5-35W, 5.5-50W, 6.3-35W, 6.5-35 W GU5.3 MR16

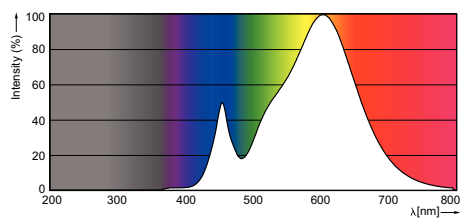
## MR16 Black 12V 6.5-35W 24D 3000K D 25khr

Product	D	C
MAS LEDspotLV VLE D6.3-35W 830MR16 24DRN	50.5 mm	50.5 mm

## Dimensional drawing



## Photometric data



© 2016 Philips Lighting Holding B.V.  
All rights reserved.

Specifications are subject to change without notice. Trademarks are the property of Koninklijke Philips N.V. (Royal Philips) or their respective owners.

[www.philips.com/lighting](http://www.philips.com/lighting)

2016, June 1  
data subject to change