

MASTER LEDspot LV

MAS LEDspotLV D 7-35W 827 MR16 60D



Delivering a warm, halogen-like accent beam, MASTER LEDspot LV is an ideal retrofit solution for spot and general lighting applications in the hospitality industry. It is particularly suited to public areas such as receptions, lobbies, corridors, stairwells and washrooms, where the light is on all the time. The robustly designed MASTER LEDspot offers a choice of beam angles for a clearly defined beam spread. There is no UV or IR in the beam, making it suitable for illuminating heat-sensitive objects (food, organic materials, paintings, etc.). The patented intelligent driver enables broad compatibility with existing electromagnetic and electronic halogen transformers. The dimmable versions drive further efficiencies, while helping to create the desired atmosphere.

Product data

• General Information

Cap base	GU5.3 [GU5.3]
Nominal lifetime (nom.)	40000 h
Technical type	7-35W

• Light Technical

Beam Angle (Nom)	60 °
Light distribution	60D [Wide beam]
Luminous flux (nom.)	420 lm
Luminous flux (rated) (nom.)	420 lm
Luminous intensity (nom.)	440 cd
Colour designation	Warm white (WW)
Rated beam angle	60 °
Correlated colour temperature (nom.)	2700 K
Luminous efficacy (rated) (nom.)	51 lm/W
Colour consistency	6 steps
Color rendering index (nom.)	80
LLMF at end of nominal lifetime (nom.)	70 %
Luminous Flux In 90° Cone (Rated)	360 lm

• Operating and Electrical

Power (Rated) (Nom)	7 W
Lamp current (nom.)	720 mA
Wattage equivalent	35 W
Starting time (max.)	0.5 s
Warm-up time to 60% light (nom.)	instant full light
Power factor (nom.)	0.7
Voltage (Nom)	12 V

• Temperature

T-Case maximum (nom.)	102 °C
-----------------------	--------

• Controls and Dimming

Dimmable	yes
----------	-----

• Approval and Application

Suitable for accent lighting	Yes
Energy efficiency label (EEL)	A
Energy Consumption kWh/1000 h	8 kWh

• Product Data

Full product code	871869648945100
-------------------	-----------------

PHILIPS

MASTER LEDspot LV

Order product name MAS LEDspotLV D 7-35W 827 MR16
60D
EAN/UPC – product 8718696489451
Order code 48945100
Local Code MLED7WG532760N
Numerator – quantity per pack 1

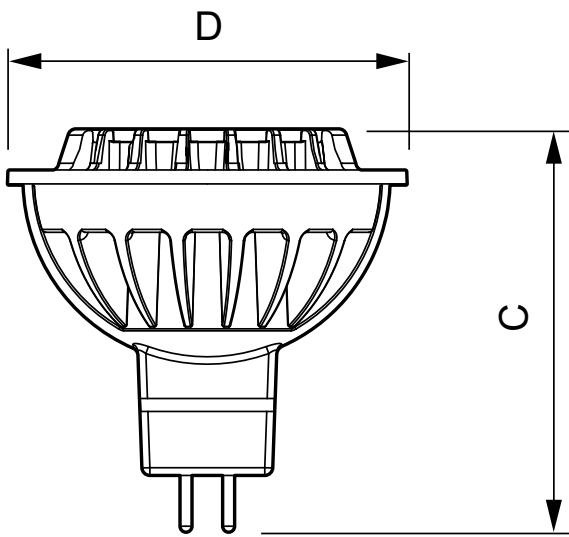
Numerator – packs per outer box 10
Material no. (12NC) 929001153402
Net weight (piece) 0.045 kg

Warnings and Safety

- Operating temperature range is between -20° C and 45° C ambient

- Only to apply in dry or damp locations and most of open fixtures with lamp-holders that offer sufficient space (10 mm free air space)
- Not intended for use with emergency light fixtures or exit lights

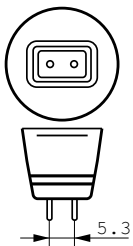
Dimensional drawing



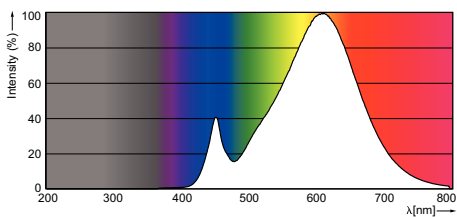
7-35 W GU5.3 MR16

LED D 7-35W 827 MR16 60D

Product	D	C
MAS LEDspotLV D 7-35W 827 MR16 60D	50.5 mm	50.5 mm



Photometric data





© 2016 Philips Lighting Holding B.V.
All rights reserved.

Specifications are subject to change without notice. Trademarks are the property of Koninklijke Philips N.V. (Royal Philips) or their respective owners.

www.philips.com/lighting

2016, March 18
data subject to change