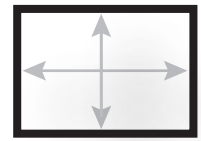


# HOMESCREEN

Fixed frame projection screen for wall installations



## Product specifications:

- Fixed frame projection screen with an aluminum frame.
- The aluminum frame is 8 cm wide and 3 cm deep with a beveled edge to reduce shadowing in the viewing area.
- The aluminum frame is finished with a matte black powder coating.
- The projection screen surface is attached to the rear of the screen with Velcro®.
- The aluminum frame parts are connected in the corners with corner plates.
- Easy and flush installation by hanging the screen over two screws by using the integrated flat (3mm) mounting brackets.
- The frame will conceal velcro and binding.
- The frame is made of aluminium finished with velour.
- Standard all brackets are supplied.

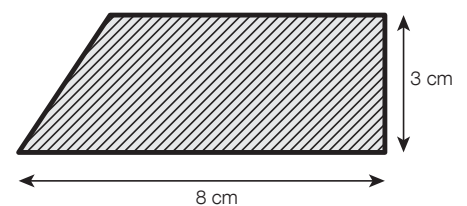
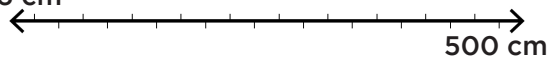
## Aspect Ratios:

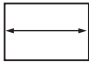


## Available dimensions

Minimum width: 176 cm

Maximum width:



|           |  | Viewing Area | Nominal Diagonal |        | Frame dimensions |             | Net weight |
|-----------|---|--------------|------------------|--------|------------------|-------------|------------|
|           |   | cm           | cm               | inches | Frame height     | Frame width | cm         |
| 16:10     | 116 x 176   | 100 x 160    | 189              | 74"    | 116              | 176         | 8          |
|           | 129 x 196   | 112 x 180    | 211              | 83"    | 129              | 196         | 9          |
|           | 141 x 216   | 125 x 200    | 236              | 93"    | 141              | 216         | 10         |
|           | 154 x 236   | 137 x 220    | 259              | 102"   | 154              | 236         | 11         |
|           | 166 x 256   | 150 x 240    | 283              | 111"   | 166              | 256         | 11         |
|           | 191 x 296   | 175 x 280    | 330              | 130"   | 191              | 296         | 12         |
|           | 204 x 316   | 187 x 300    | 353              | 139"   | 204              | 316         | 13         |
|           | 235 x 366   | 219 x 350    | 413              | 163"   | 235              | 366         | 28         |
|           | 266 x 416   | 250 x 400    | 482              | 186"   | 266              | 416         | 32         |
|           | 297 x 466   | 281 x 450    | 531              | 209"   | 297              | 466         | 34         |
| 329 x 516 | 313 x 500   | 590          | 232"             | 329    | 516              | 40          |            |
| 16:9      | 106 x 176   | 90 x 160     | 183              | 72"    | 106              | 176         | 8          |
|           | 118 x 196   | 102 x 180    | 207              | 81"    | 118              | 196         | 9          |
|           | 128 x 216   | 112 x 200    | 229              | 90"    | 128              | 216         | 10         |
|           | 140 x 236   | 122 x 220    | 249              | 98"    | 140              | 236         | 11         |
|           | 151 x 256   | 135 x 240    | 269              | 108"   | 151              | 256         | 11         |
|           | 173 x 296   | 157 x 280    | 320              | 126"   | 173              | 296         | 12         |
|           | 185 x 316   | 169 x 300    | 345              | 136"   | 185              | 316         | 13         |
|           | 213 x 366   | 197 x 350    | 402              | 158"   | 213              | 366         | 28         |
|           | 241 x 416   | 225 x 400    | 467              | 184"   | 241              | 416         | 32         |
|           | 269 x 466   | 253 x 450    | 524              | 206"   | 269              | 466         | 34         |
| 297 x 516 | 281 x 500   | 574          | 226"             | 297    | 516              | 40          |            |
| 2.35:1    | 93 x 196  | 76 x 180     | 195              | 78"    | 93               | 196         | 8          |
|           | 101 x 216   | 85 x 200     | 217              | 85"    | 101              | 216         | 9          |
|           | 110 x 236   | 94 x 220     | 239              | 94"    | 110              | 236         | 10         |
|           | 118 x 256   | 102 x 240    | 261              | 103"   | 118              | 256         | 11         |
|           | 135 x 296   | 119 x 280    | 304              | 120"   | 135              | 296         | 11         |
|           | 144 x 316   | 128 x 300    | 326              | 128"   | 144              | 316         | 12         |
|           | 165 x 366   | 149 x 350    | 380              | 150"   | 165              | 366         | 28         |
|           | 186 x 416   | 170 x 400    | 435              | 171"   | 186              | 416         | 32         |
|           | 207 x 466   | 191 x 450    | 489              | 193"   | 207              | 466         | 34         |
| 229 x 516 | 213 x 500   | 543          | 214"             | 229    | 516              | 40          |            |
| 4:3       | 136 x 176   | 120 x 160    | 200              | 79"    | 135              | 176         | 9          |
|           | 151 x 196   | 135 x 180    | 225              | 89"    | 151              | 196         | 10         |
|           | 166 x 216   | 150 x 200    | 254              | 100"   | 166              | 216         | 11         |
|           | 181 x 236   | 165 x 220    | 275              | 108"   | 181              | 236         | 12         |
|           | 196 x 256   | 180 x 240    | 302              | 119"   | 196              | 256         | 12         |
|           | 226 x 296   | 210 x 280    | 350              | 138"   | 226              | 296         | 14         |
|           | 241 x 316   | 225 x 300    | 375              | 148"   | 241              | 316         | 16         |
|           | 279 x 366   | 263 x 350    | 438              | 172"   | 279              | 366         | 28         |
|           | 316 x 416   | 300 x 400    | 500              | 200"   | 316              | 416         | 32         |
|           | 354 x 466   | 338 x 450    | 563              | 222"   | 354              | 466         | 34         |
| 391 x 516 | 375 x 500   | 597          | 239"             | 391    | 516              | 40          |            |

## Available standard resolution projection surfaces

### Matte White

Gain: 1.0  
Viewing Angle: 120°  
Base material: Vinyl  
Fire retardancy: B1  
GreenGuard certification: No

For all sizes with a maximum surface height of 188 cm:

Black backing: Yes  
Seamless: Yes

For all sizes with a surface height from 189 cm until 225 cm:

Black backing: No  
Seamless: Yes

For all sizes with a surface height of 226 cm and above:

Black backing: No  
Seamless: No

### High Contrast Cinema Vision

Gain: 1.1  
Viewing Angle: 100°  
Base material: Vinyl  
Fire retardancy: B2  
Black backing: Yes  
Opacity rating: > 99 %  
Seamless: Yes  
GreenGuard certification: Yes

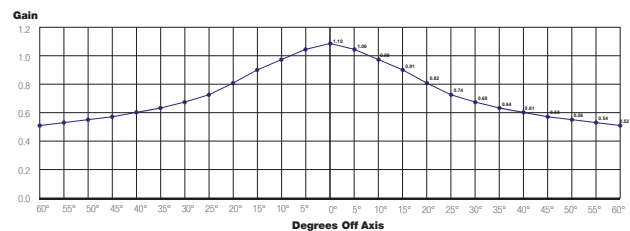


**Standard:** UL 2818 - 2013  
Standard for Chemical Emissions  
for Building Materials, Finishes and  
Furnishings

**Certification number**

Greenguard -  
5112-410

Greenguard Gold -  
5112-420



### Da-Tex (rear projection)

Gain: 1.3  
Viewing Angle: 60°  
Base material: Vinyl  
Fire retardancy: B2  
Seamless: Yes  
GreenGuard certification: Yes

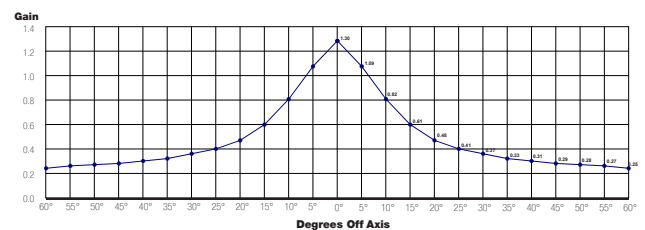


**Standard:** UL 2818 - 2013  
Standard for Chemical Emissions  
for Building Materials, Finishes and  
Furnishings

**Certification number**

Greenguard -  
5106-410

Greenguard Gold -  
5106-420



## Certifications

- Products are manufactured in an ISO14001 certified facility
- Projecta is an ISO 9001 certified company
- REACH - Registration, Evaluation, Authorisation and Restriction of Chemical substances.
- RoHS - Restriction of Hazardous Substances.
- WEEE - Waste Electronic and Electrical Equipment Regulations.

## Customisation

Give exact the sizes of the projection screen you need:

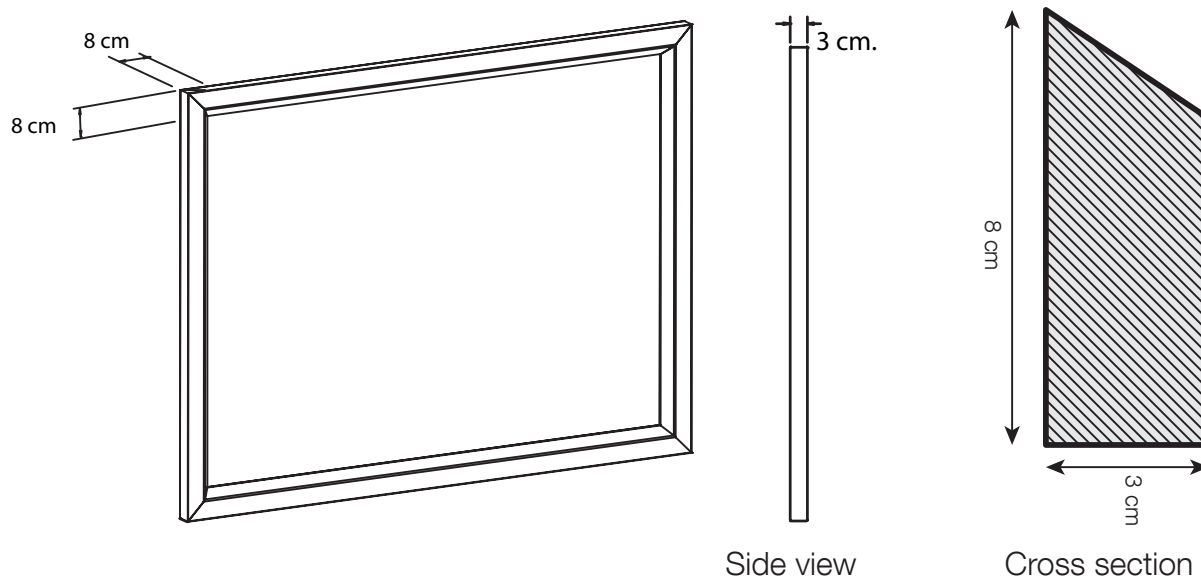
Viewing size: \_\_\_\_\_ Height (cm.) x \_\_\_\_\_ width (cm.)

Surface: \_\_\_\_\_ Frame color: RAL \_\_\_\_\_

Remarks: \_\_\_\_\_

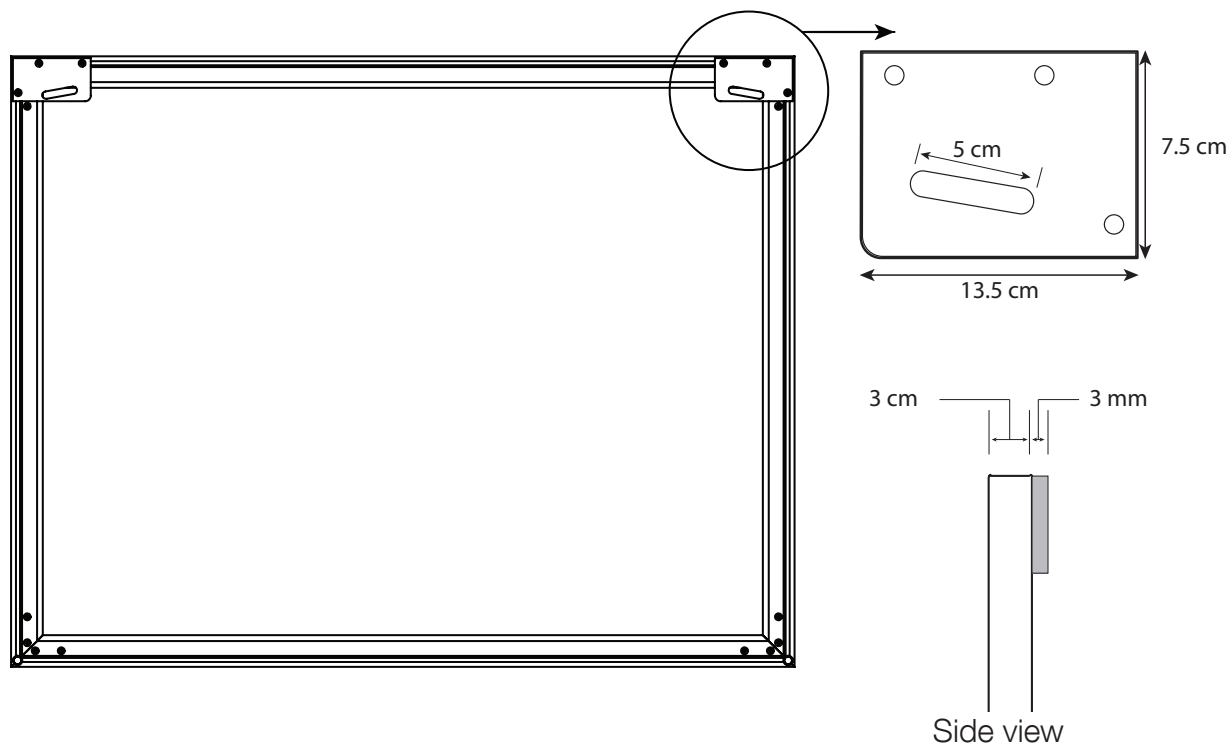


## Frame dimensions



## Installation

Easy and flush installation by hanging the screen over two screws by using the integrated flat (3mm) mounting brackets.



## Warranty

Projecta provides a limited 5 year warranty on the Elpro Concept range and a limited 2 year warranty on all other products. The warranty on the motor of electrical screens is 5 year. All warranties are in effect beginning the date the product was invoiced by Projecta.