

PROSCREEN

Manual projection screen for wall or ceiling installations



Product specifications:

- Manual projection screen with a spring mechanism.
- Suitable for wall and ceiling mounting with the supplied flexible plastic mounting brackets (50cm).
- The steel square casing (8,8 x 8,8 cm) is galvanised on the inside and on the outside powder coated with a matte structure coating (RAL 9016).
- The grey end caps close the casing on both ends.
- The triangular slat bar closes the bottom of the casing on the outside.
- The screen surfaces are flame retardant and seamless.
- The projection surfaces have a 5 cm. border all around with the Video-, HDTV, and Wide format. The standard format (1:1) has a black border on both sides of 2.5 cm.
- The projection fabrics have a black backing.
- The screen locks into place at 13 cm intervals for possible height adjustment.
- The projection screen is CE marked and satisfies the strictest quality and safety requirements.

Options:

- Extended black drop
- Without borders

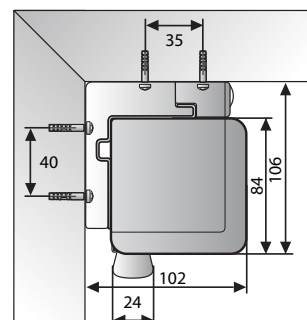


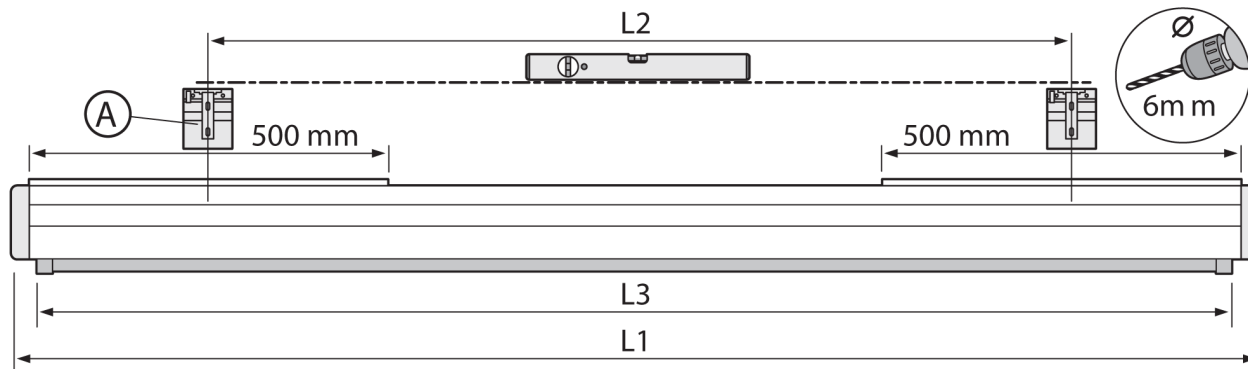
Aspect Ratios:

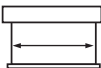


Available dimensions

Minimum width: 160 cm
Maximum width: 280 cm





		Viewing Area	Dimensions			Border	Net weight
		cm	L1 mm	L2 mm	L3 mm	cm	kg
16:10	115 x 180	105 x 170	1914	1734	1820	5	12
	129 x 200	119 x 190	2134	1954	2040	5	14
	141 x 220	131 x 210	2334	1754	2240	5	16
	154 x 240	144 x 230	2534	2354	2440	5	18
	179 x 280	169 x 270	2934	2754	2840	5	22
16:9	102 x 180	95 x 168	1914	1734	1820	5	12
	117 x 200	107 x 190	2134	1954	2040	5	14
	128 x 220	118 x 210	2334	1754	2240	5	16
	139 x 240	129 x 230	2534	2354	2440	5	18
	162 x 280	152 x 270	2934	2754	2840	5	22
4:3	138 x 180	126 x 168	1914	1734	1820	5	12
	153 x 200	143 x 190	2134	1954	2040	5	14
	168 x 220	158 x 210	2334	1754	2240	5	16
	183 x 240	173 x 230	2534	2354	2440	5	18
	213 x 280	203 x 270	2934	2754	2840	5	22
1:1	160 x 160	151 x 151	1714	1534	1620	2,5 L/R	10
	180 x 180	173 x 173	1914	1734	1820	2,5 L/R	12
	200 x 200	195 x 195	2134	1954	2040	2,5 L/R	14
	220 x 220	215 x 215	2334	1754	2240	2,5 L/R	16
	240 x 240	230 x 230	2534	2354	2440	2,5 L/R	18

Available standard resolution projection surfaces

All screen surfaces are seamless in the viewing area.

Matte White

Gain: 1.0
 Viewing Angle: 120°
 Base material: Fiberglass
 Fire retardancy: B2
 Black backing: Yes
 Opacity rating: > 99 %
 Seamless: Yes
 GreenGuard certification: Yes

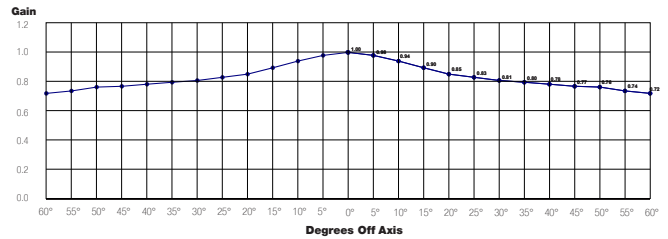


Standard: UL 2818 - 2013
 Standard for Chemical Emissions
 for Building Materials, Finishes and
 Furnishings

Certification number

Greenguard -
 4710-410

Greenguard Gold -
 4710-420



Datalux

Gain: 1.5
 Viewing Angle: 70°
 Base material: Fiberglass
 Fire retardancy: B2
 Black backing: Yes
 Opacity rating: > 99 %
 Seamless: Yes
 GreenGuard certification: Yes

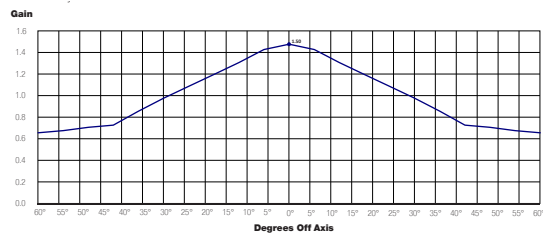


Standard: UL 2818 - 2013
 Standard for Chemical Emissions
 for Building Materials, Finishes and
 Furnishings

Certification number

Greenguard -
 4712-410

Greenguard Gold -
 4712-420



High Contrast

Gain: 1.1
 Viewing Angle: 100°
 Base material: Fiberglass
 Fire retardancy: B2
 Black backing: Yes
 Opacity rating: > 99 %
 Seamless: Yes
 GreenGuard certification: Yes

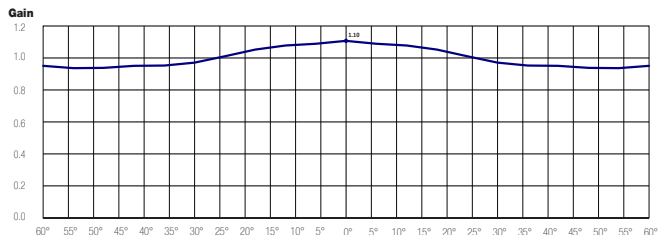


Standard: UL 2818 - 2013
 Standard for Chemical Emissions
 for Building Materials, Finishes and
 Furnishings

Certification number

Greenguard -
 4708-410

Greenguard Gold -
 4708-420



Certifications

- Products are manufactured in an ISO14001 certified facility
- Projecta is an ISO 9001 certified company
- REACH - Registration, Evaluation, Authorisation and Restriction of Chemical substances.
- RoHS - Restriction of Hazardous Substances.
- WEEE - Waste Electronic and Electrical Equipment Regulations.



Customisation

Give exact the sizes of the projection screen you need:

Viewing size: _____ Height (cm.) x _____ width (cm.)

Surface: _____ Border top: _____ (cm.) Border bottom: _____ (cm.)

RAL color case and plastic parts: RAL _____

Screen fabric mounted reversely

Remarks: _____

Accessories - control options

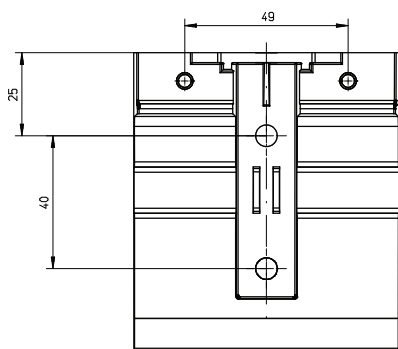
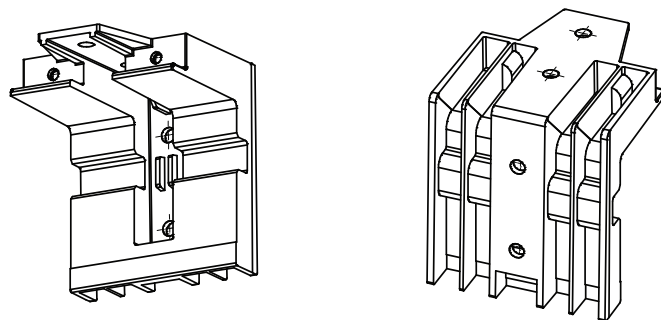
- Pull Rod

Accessories - installation

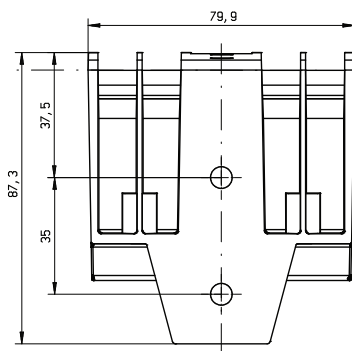
- Ceiling brackets (100 cm.)
- Set extension brackets (75 cm.)
- Set extension brackets (30 cm.)
- Set extension brackets (10 cm.)
- Wall clamps

ProScreen - mounting bracket included

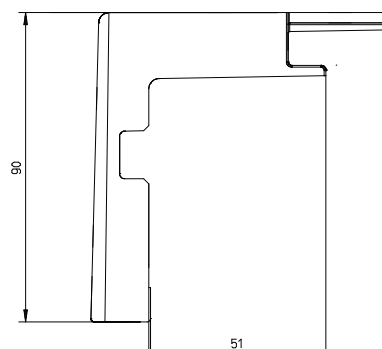
(Dimensions in mm)



front view



top view



side view

Warranty

Projecta provides a limited 5 year warranty on the Elpro Concept range and a limited 2 year warranty on all other products. The warranty on the motor of electrical screens is 5 year. All warranties are in effect beginning the date the product was invoiced by Projecta.