



---

<b>EN</b>	Hob	User Manual	2
<b>FR</b>	Table de cuisson	Notice d'utilisation	13
<b>DE</b>	Kochfeld	Benutzerinformation	25
<b>IT</b>	Piano cottura	Istruzioni per l'uso	37



## CONTENTS

1. SAFETY INFORMATION.....	2
2. SAFETY INSTRUCTIONS.....	4
3. PRODUCT DESCRIPTION.....	7
4. DAILY USE.....	7
5. HINTS AND TIPS.....	7
6. CARE AND CLEANING.....	8
7. TROUBLESHOOTING.....	8
8. INSTALLATION.....	9
9. TECHNICAL DATA.....	11
10. ENERGY EFFICIENCY.....	11

## WE'RE THINKING OF YOU

Thank you for purchasing an Electrolux appliance. You've chosen a product that brings with it decades of professional experience and innovation. Ingenious and stylish, it has been designed with you in mind. So whenever you use it, you can be safe in the knowledge that you'll get great results every time.

Welcome to Electrolux.

**Visit our website for:**



Get usage advice, brochures, trouble shooter, service information:  
**[www.electrolux.com/webselfservice](http://www.electrolux.com/webselfservice)**



Register your product for better service:  
**[www.registerelectrolux.com](http://www.registerelectrolux.com)**



Buy Accessories, Consumables and Original spare parts for your appliance:  
**[www.electrolux.com/shop](http://www.electrolux.com/shop)**

## CUSTOMER CARE AND SERVICE

Always use original spare parts.

When contacting our Authorised Service Centre, ensure that you have the following data available: Model, PNC, Serial Number.

The information can be found on the rating plate.

 Warning / Caution-Safety information

 General information and tips

 Environmental information

Subject to change without notice.

### 1. SAFETY INFORMATION

Before the installation and use of the appliance, carefully read the supplied instructions. The manufacturer is not responsible for any injuries or damages that are the result of incorrect installation or usage. Always keep the

instructions in a safe and accessible location for future reference.

### 1.1 Children and vulnerable people safety

- This appliance can be used by children aged from 8 years and above and persons with reduced physical, sensory or mental capabilities or lack of experience and knowledge if they have been given supervision or instruction concerning the use of the appliance in a safe way and understand the hazards involved.
- Do not let children play with the appliance.
- Keep all packaging away from children and dispose of it appropriately.
- Keep children and pets away from the appliance when it operates or when it cools down. Accessible parts are hot.
- If the appliance has a child safety device, this should be activated.
- Children shall not carry out cleaning and user maintenance of the appliance without supervision.
- Children aged 3 years and under must be kept away from this appliance when it is in operation at all times.

### 1.2 General Safety

- **WARNING:** The appliance and its accessible parts become hot during use. Care should be taken to avoid touching heating elements. Children less than 8 years of age shall be kept away unless continuously supervised.
- Do not operate the appliance by means of an external timer or separate remote-control system.
- **WARNING:** Unattended cooking on a hob with fat or oil can be dangerous and may result in fire.
- **NEVER** try to extinguish a fire with water, but switch off the appliance and then cover flame e.g. with a lid or a fire blanket.

- **CAUTION:** The cooking process has to be supervised. A short term cooking process has to be supervised continuously.
- **WARNING:** Danger of fire: Do not store items on the cooking surfaces.
- Metallic objects such as knives, forks, spoons and lids should not be placed on the hob surface since they can get hot.
- Do not use a steam cleaner to clean the appliance.
- If the glass ceramic surface / glass surface is cracked, switch off the appliance to avoid the possibility of electric shock.
- If the supply cord is damaged, it must be replaced by the manufacturer, an authorized Service or similarly qualified persons in order to avoid a hazard.
- **WARNING:** Use only hob guards designed by the manufacturer of the cooking appliance or indicated by the manufacturer of the appliance in the instructions for use as suitable or hob guards incorporated in the appliance. The use of inappropriate guards can cause accidents.

## 2. SAFETY INSTRUCTIONS

### 2.1 Installation



**WARNING!**

Only a qualified person must install this appliance.



**WARNING!**

Risk of injury or damage to the appliance.

- Remove all the packaging.
- Do not install or use a damaged appliance.
- Follow the installation instruction supplied with the appliance.
- Keep the minimum distance from the other appliances and units.
- Always take care when moving the appliance as it is heavy. Always use safety gloves and enclosed footwear.
- Seal the cut surfaces with a sealant to prevent moisture to cause swelling.
- Protect the bottom of the appliance from steam and moisture.
- Do not install the appliance adjacent to a door or under a window. This prevents hot cookware to fall from the appliance when the door or the window is opened.
- If the appliance is installed above drawers make sure that the space, between the bottom of the appliance and the upper drawer, is sufficient for air circulation.
- The bottom of the appliance can get hot. Make sure to install a non-combustible separation panel under the appliance to prevent access to the bottom.

## 2.2 Electrical Connection



### **WARNING!**

Risk of fire and electrical shock.

- All electrical connections should be made by a qualified electrician.
- The appliance must be earthed.
- Before carrying out any operation make sure that the appliance is disconnected from the power supply.
- Make sure that the electrical information on the rating plate agrees with the power supply. If not, contact an electrician.
- Make sure the appliance is installed correctly. Loose and incorrect electricity mains cable or plug (if applicable) can make the terminal become too hot.
- Use the correct electricity mains cable.
- Do not let the electricity mains cable tangle.
- Make sure that a shock protection is installed.
- Use the strain relief clamp on the cable.
- Make sure the mains cable or plug (if applicable) does not touch the hot appliance or hot cookware, when you connect the appliance to the near sockets
- Do not use multi-plug adapters and extension cables.
- Make sure not to cause damage to the mains plug (if applicable) or to the mains cable. Contact our Authorised Service Centre or an electrician to change a damaged mains cable.
- The shock protection of live and insulated parts must be fastened in such a way that it cannot be removed without tools.
- Connect the mains plug to the mains socket only at the end of the installation. Make sure that there is access to the mains plug after the installation.
- If the mains socket is loose, do not connect the mains plug.
- Do not pull the mains cable to disconnect the appliance. Always pull the mains plug.

- Use only correct isolation devices: line protecting cut-outs, fuses (screw type fuses removed from the holder), earth leakage trips and contactors.
- The electrical installation must have an isolation device which lets you disconnect the appliance from the mains at all poles. The isolation device must have a contact opening width of minimum 3 mm.

## 2.3 Use



### **WARNING!**

Risk of injury, burns and electrical shock.

- Remove all the packaging, labelling and protective film (if applicable) before first use.
- Use this appliance in a household environment.
- Do not change the specification of this appliance.
- Make sure that the ventilation openings are not blocked.
- Do not let the appliance stay unattended during operation.
- Set the cooking zone to "off" after each use.
- Do not put cutlery or saucepan lids on the cooking zones. They can become hot.
- Do not operate the appliance with wet hands or when it has contact with water.
- Do not use the appliance as a work surface or as a storage surface.
- If the surface of the appliance is cracked, disconnect immediately the appliance from the power supply. This to prevent an electrical shock.
- When you place food into hot oil, it may splash.



### **WARNING!**

Risk of fire and explosion

- Fats and oil when heated can release flammable vapours. Keep flames or heated objects away from fats and oils when you cook with them.
- The vapours that very hot oil releases can cause spontaneous combustion.
- Used oil, that can contain food remnants, can cause fire at a lower

temperature than oil used for the first time.

- Do not put flammable products or items that are wet with flammable products in, near or on the appliance.



**WARNING!**

Risk of damage to the appliance.

- Do not keep hot cookware on the control panel.
- Do not put a hot pan cover on the glass surface of the hob.
- Do not let cookware to boil dry.
- Be careful not to let objects or cookware fall on the appliance. The surface can be damaged.
- Do not activate the cooking zones with empty cookware or without cookware.
- Do not put aluminium foil on the appliance.
- Cookware made of cast iron, aluminium or with a damaged bottom can cause scratches on the glass / glass ceramic. Always lift these objects up when you have to move them on the cooking surface.
- This appliance is for cooking purposes only. It must not be used for other purposes, for example room heating.

## 2.4 Care and cleaning



**WARNING!**

Do not remove the buttons, knobs or gaskets from the control panel. Water may get inside the appliance and cause damage.

- Clean regularly the appliance to prevent the deterioration of the surface material.
- Deactivate the appliance and let it cool down before you clean it.
- Disconnect the appliance from the electrical supply before maintenance.
- Do not use water spray and steam to clean the appliance.
- Clean the appliance with a moist soft cloth. Only use neutral detergents. Do not use any abrasive products, abrasive cleaning pads, solvents or metal objects.

## 2.5 Disposal



**WARNING!**

Risk of injury or suffocation.

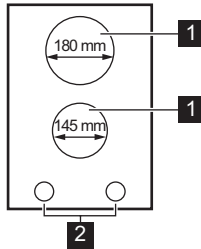
- Contact your municipal authority for information on how to discard the appliance correctly.
- Disconnect the appliance from the mains supply.
- Cut off the mains electrical cable close to the appliance and dispose of it.

## 2.6 Service

- To repair the appliance contact an Authorised Service Centre.
- Use original spare parts only.

## 3. PRODUCT DESCRIPTION

### 3.1 Cooking surface layout



- 1** Cooking zone
- 2** Control knobs

### 3.2 Control knob

Symbol	Function
0	Off position
1 - 6	Heat settings

### 3.3 Residual heat



#### **WARNING!**

There is a risk of burns from residual heat.

## 4. DAILY USE



#### **WARNING!**

Refer to Safety chapters.

### 4.1 The heat setting

To set or change the heat setting turn the knob to the correct heat setting. To deactivate turn the knob to off position.

## 5. HINTS AND TIPS



#### **WARNING!**

Refer to Safety chapters.

### 5.1 Cookware



The bottom of the cookware must be as thick and flat as possible.



Cookware made of enamelled steel and with aluminium or copper bottoms can cause the colour change on the glass-ceramic surface.

### 5.2 Examples of cooking applications

Heat setting:	Application:
1	Keeping warm
2	Gentle simmering
3	Simmering
4	Frying / browning
5	Bringing to the boil
6	Bringing to the boil / quick frying / deep-frying

## 6. CARE AND CLEANING



### WARNING!

Refer to Safety chapters.

### 6.1 General information

- Clean the hob after each use.
- Always use cookware with clean bottom.
- Scratches or dark stains on the surface have no effect on how the hob operates.
- Use a special cleaner applicable for the surface of the hob.
- Use a special scraper for the glass.

### 6.2 Cleaning the hob

- **Remove immediately:** melted plastic, plastic foil, sugar and food with sugar.

If not, the dirt can cause damage to the hob. Take care to avoid burns. Put the special scraper on the glass surface at an acute angle and move the blade on the surface.

- **Remove when the hob is sufficiently cool:** limescale rings, water rings, fat stains, shiny metallic discoloration. Clean the hob with a moist cloth and non-abrasive detergent. After cleaning, wipe the hob dry with a soft cloth.
- **Remove shiny metallic discoloration:** use a solution of water with vinegar and clean the glass surface with a moist cloth.

## 7. TROUBLESHOOTING



### WARNING!

Refer to Safety chapters.

### 7.1 What to do if...

Problem	Possible cause	Remedy
You cannot activate or operate the hob.	The hob is not connected to an electrical supply or it is connected incorrectly.	Check if the hob is correctly connected to the electrical supply. Refer to the connection diagram.
	The fuse is blown.	Make sure that the fuse is the cause of the malfunction. If the fuse is blown again and again, contact a qualified electrician.

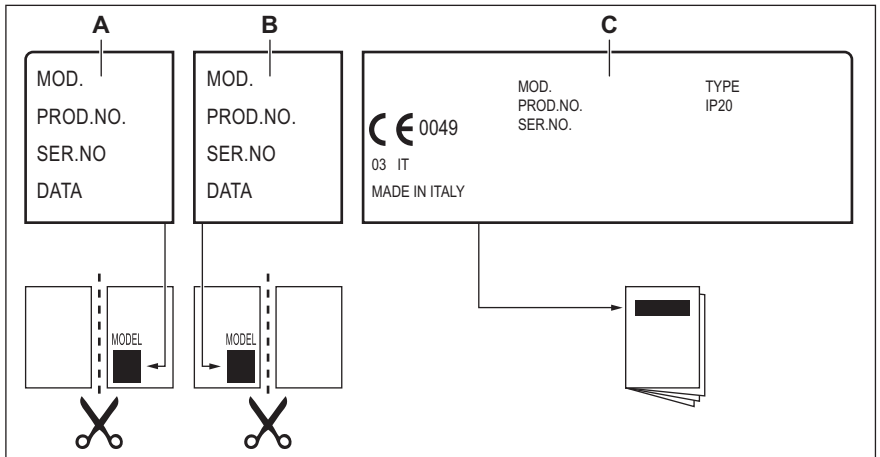
### 7.2 If you cannot find a solution...

If you cannot find a solution to the problem yourself, contact your dealer or an Authorised Service Centre. Give the data from the rating plate. Give also three digit letter code for the glass ceramic (it is in the corner of the glass surface). Make sure, you operated the

hob correctly. If not the servicing by a service technician or dealer will not be free of charge, also during the warranty period. The instructions about the Service Centre and conditions of guarantee are in the guarantee booklet.

### 7.3 Labels supplied with the accessories bag

Stick the adhesive labels as indicated below:



- A. Stick it on Guarantee Card and send this part (if applicable).
- B. Stick it on Guarantee Card and keep this part (if applicable).
- C. Stick it on instruction booklet.

## 8. INSTALLATION

**WARNING!**  
Refer to Safety chapters.

### 8.1 Before the installation

Before you install the hob, write down the information bellow from the rating plate. The rating plate is on the bottom of the hob.

Model .....  
 PNC .....  
 Serial number .....

### 8.2 Built-in hobs

Only use the built-in hobs after you assemble the hob into correct built-in units and work surfaces that align to the standards.

### 8.3 Connection cable

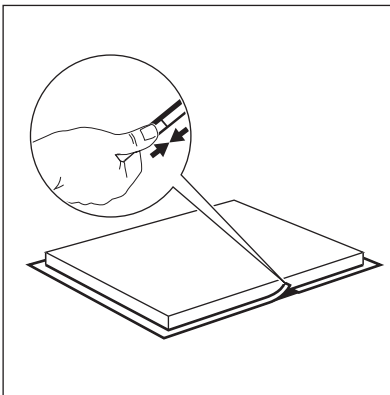
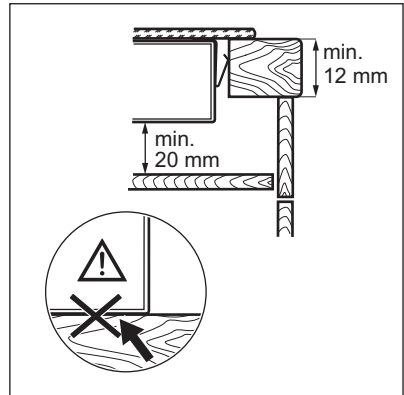
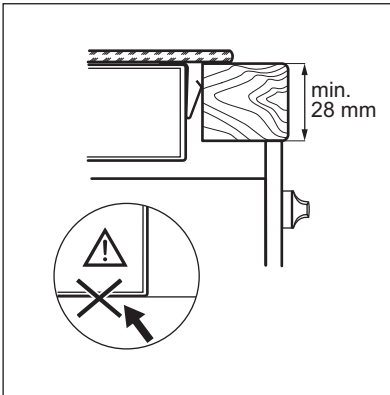
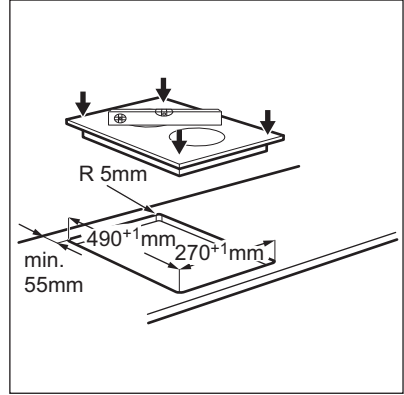
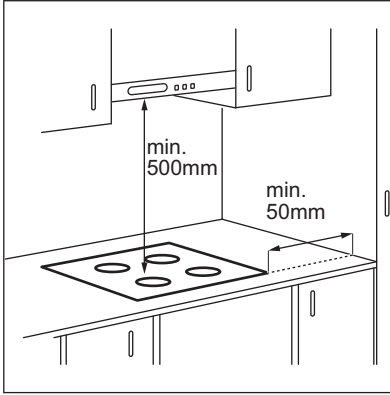
- The hob is supplied with a connection cable.
- To replace the damaged mains cable use the following (or higher) mains cable type: H05V2V2-F T min 90°C. Speak to your local Service Centre.

### 8.4 Attaching the seal

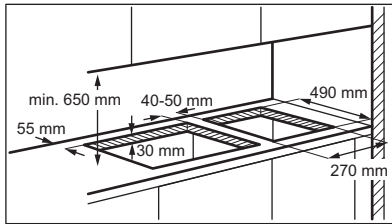
1. Clean the worktop around the cut out area.
2. Attach the supplied seal stripe to the lower edge of the hob along the outer edge of the glass ceramic. Do not extend it. Make sure that the ends of the seal stripe are located in the middle of one side of the hob.
3. Add some mm when you cut the seal stripe to the length.

4. Push the two ends of seal stripe together.

## 8.5 Assembly



## 8.6 Installation of more than one hob



If several 30 cm hobs are to be installed side by side into the same cut out, an assembly kit including a support side bracket and supplementary seals is available at our Authorised Service Centres. The relevant installation instructions are supplied within the kit package.

## 9. TECHNICAL DATA

### 9.1 Cooking zones specification

Cooking zone	Nominal Power (Max heat setting) [W]	Cooking zone diameter [mm]
Middle front	1200	145
Middle rear	1700	180

For optimal cooking results use cookware not larger than the diameter of the cooking zone.

## 10. ENERGY EFFICIENCY

### 10.1 Product information according to EU 66/2014

Model identification	EHF3920BOK	
Type of hob	Built-In Hob	
Number of cooking zones	2	
Heating technology	Radiant Heater	
Diameter of circular cooking zones (Ø)	Middle front Middle rear	14.5 cm 18.0 cm
Energy consumption per cooking zone (EC electric cooking)	Middle front Middle rear	194.9 Wh / kg 194.9 Wh / kg
Energy consumption of the hob (EC electric hob)	194.9 Wh / kg	


EN 60350-2 - Household electric cooking appliances - Part 2: Hobs - Methods for measuring performance


### 10.2 Energy saving

You can save energy during everyday cooking if you follow below hints.

- When you heat up water, use only the amount you need.
- If it is possible, always put the lids on the cookware.
- Before you activate the cooking zone put the cookware on it.
- The cookware bottom should have the same diameter as the cooking zone.
- Put the smaller cookware on the smaller cooking zones.
- Put the cookware directly in the centre of the cooking zone.
- Use the residual heat to keep the food warm or to melt it.

## 11. ENVIRONMENTAL CONCERNS

Recycle materials with the symbol . Put the packaging in relevant containers to recycle it. Help protect the environment and human health by recycling waste of electrical and electronic appliances. Do not dispose of

appliances marked with the symbol  with the household waste. Return the product to your local recycling facility or contact your municipal office.

# TABLE DES MATIÈRES

1. INFORMATIONS DE SÉCURITÉ.....	13
2. CONSIGNES DE SÉCURITÉ.....	15
3. DESCRIPTION DE L'APPAREIL.....	18
4. UTILISATION QUOTIDIENNE.....	18
5. CONSEILS.....	19
6. ENTRETIEN ET NETTOYAGE.....	19
7. EN CAS D'ANOMALIE DE FONCTIONNEMENT.....	20
8. INSTALLATION.....	21
9. CARACTÉRISTIQUES TECHNIQUES.....	23
10. RENDEMENT ÉNERGÉTIQUE.....	23

## NOUS PENSONS À VOUS

Merci d'avoir choisi ce produit Electrolux. Avec ce produit, vous bénéficiez de dizaines d'années d'expérience professionnelle et d'innovation. Ingénieux et élégant, il a été conçu sur mesure pour vous. Grâce à cet appareil, vous savez que chaque utilisation vous apportera satisfaction.

Bienvenue chez Electrolux.

**Visitez notre site Internet pour :**



Obtenir des conseils d'utilisation, des brochures, de l'aide, des informations :  
**[www.electrolux.com/webselfservice](http://www.electrolux.com/webselfservice)**



Enregistrez votre produit pour obtenir un meilleur service :  
**[www.registerelectrolux.com](http://www.registerelectrolux.com)**



Acheter des accessoires, consommables et pièces de rechange d'origine pour votre appareil :  
**[www.electrolux.com/shop](http://www.electrolux.com/shop)**

## SERVICE APRÈS-VENTE


Utilisez toujours des pièces d'origine.

Avant de contacter le service après-vente, assurez-vous de disposer des informations suivantes : Modèle, PNC, numéro de série.

Vous trouverez ces informations sur la plaque signalétique.

 Avertissement/Consignes de sécurité

 Informations générales et conseils

 Informations en matière de protection de l'environnement

Sous réserve de modifications.

## 1. INFORMATIONS DE SÉCURITÉ

Avant d'installer et d'utiliser cet appareil, lisez soigneusement les instructions fournies. Le fabricant ne pourra être tenu pour responsable des blessures et dégâts résultant d'une mauvaise installation ou

utilisation. Conservez toujours les instructions dans un lieu sûr et accessible pour vous y référer ultérieurement.

## 1.1 Sécurité des enfants et des personnes vulnérables

- Cet appareil peut être utilisé par des enfants de plus de 8 ans, ainsi que des personnes dont les capacités physiques, sensorielles et mentales sont réduites ou dont les connaissances et l'expérience sont insuffisantes, à condition d'être surveillés ou d'avoir reçu des instructions concernant l'utilisation sécurisée de l'appareil et de comprendre les risques encourus.
- Ne laissez pas les enfants jouer avec l'appareil.
- Ne laissez pas les emballages à la portée des enfants et jetez-les convenablement.
- Tenez les enfants et les animaux éloignés de l'appareil lorsqu'il est en cours de fonctionnement ou lorsqu'il refroidit. Les parties accessibles sont chaudes.
- Si l'appareil est équipé d'un dispositif de sécurité enfants, nous vous recommandons de l'activer.
- Les enfants ne doivent pas nettoyer ni entreprendre une opération de maintenance sur l'appareil sans surveillance.
- Les enfants de moins de 3 ans doivent être tenus éloignés de l'appareil en permanence lorsqu'il est en fonctionnement.

## 1.2 Sécurité générale

- **AVERTISSEMENT:** L'appareil et ses parties accessibles deviennent chauds pendant son fonctionnement. Veillez à ne pas toucher les éléments chauffants. Les enfants de moins de 8 ans doivent être tenus à l'écart, à moins d'être surveillés en permanence.
- Ne faites pas fonctionner l'appareil avec un minuteur externe ou un système de commande à distance.

- **AVERTISSEMENT** : Il peut être dangereux de laisser chauffer de la graisse ou de l'huile sans surveillance sur une table de cuisson car cela pourrait provoquer un incendie.
- N'essayez JAMAIS d'éteindre un feu avec de l'eau. Éteignez l'appareil puis couvrez les flammes, par exemple avec un couvercle ou une couverture ignifuge.
- **ATTENTION** : Toute cuisson doit être surveillée. Une cuisson courte doit être surveillée en permanence.
- **AVERTISSEMENT** : Risque d'incendie ! N'entrez rien sur les surfaces de cuisson.
- Ne posez pas d'objets métalliques tels que couteaux, fourchettes, cuillères ou couvercles sur la table de cuisson car ils pourraient chauffer.
- N'utilisez pas de nettoyeur vapeur pour nettoyer l'appareil.
- Si la surface vitrocéramique / en verre est fissurée, éteignez l'appareil pour éviter tout risque d'électrocution.
- Si le câble d'alimentation est endommagé, il doit être remplacé par le fabricant, un service de maintenance agréé ou un technicien qualifié afin d'éviter tout danger.
- **AVERTISSEMENT** : Utilisez uniquement les dispositifs de protection pour table de cuisson conçus ou indiqués comme adaptés par le fabricant de l'appareil de cuisson dans les instructions d'utilisation, ou les dispositifs de protection pour table de cuisson intégrés à l'appareil. L'utilisation de dispositifs de protection non adaptés peut entraîner des accidents.

## 2. CONSIGNES DE SÉCURITÉ

### 2.1 Installation



**AVERTISSEMENT!**  
L'appareil doit être installé uniquement par un professionnel qualifié.



**AVERTISSEMENT!**  
Risque de blessure corporelle ou de dommages matériels.

- Retirez l'intégralité de l'emballage.

- N'installez pas et ne branchez pas un appareil endommagé.
- Suivez scrupuleusement les instructions d'installation fournies avec l'appareil.
- Respectez l'espacement minimal requis par rapport aux autres appareils et éléments.
- Soyez toujours vigilants lorsque vous déplacez l'appareil car il est lourd. Utilisez toujours des gants de sécurité et des chaussures fermées.
- Isolez les surfaces découpées à l'aide d'un matériau d'étanchéité pour éviter que la moisissure ne provoque de gonflements.
- Protégez la partie inférieure de l'appareil de la vapeur et de l'humidité.
- N'installez pas l'appareil près d'une porte ou sous une fenêtre. Les récipients chauds risqueraient de tomber de l'appareil lors de l'ouverture de celles-ci.
- Si l'appareil est installé au-dessus de tiroirs, assurez-vous qu'il y a suffisamment d'espace entre le fond de l'appareil et le tiroir supérieur pour que l'air puisse circuler.
- Le dessous de l'appareil peut devenir très chaud. Veillez à installer un panneau de séparation ignifuge sous l'appareil pour en bloquer l'accès.
- Utilisez le câble d'alimentation électrique approprié.
- Ne laissez pas le câble d'alimentation s'em mêler.
- Assurez-vous qu'une protection anti-électrocution est installée.
- Utilisez un collier anti-traction sur le câble.
- Assurez-vous que le câble d'alimentation ou la fiche (si présente) n'entrent pas en contact avec les surfaces brûlantes de l'appareil ou les récipients brûlants lorsque vous branchez l'appareil à des prises électriques situées à proximité.
- N'utilisez pas d'adaptateurs multiprises ni de rallonges.
- Veillez à ne pas endommager la fiche secteur (si présente) ni le câble d'alimentation. Contactez notre centre de maintenance agréé ou un électricien pour remplacer le câble d'alimentation s'il est endommagé.
- La protection contre les chocs des parties sous tension et isolées doit être fixée de telle manière qu'elle ne peut pas être enlevée sans outils.
- Ne branchez la fiche d'alimentation à la prise de courant qu'à la fin de l'installation. Assurez-vous que la prise de courant est accessible une fois l'appareil installé.
- Si la prise de courant est lâche, ne branchez pas la fiche d'alimentation secteur.
- Ne tirez jamais sur le câble d'alimentation pour débrancher l'appareil. Tirez toujours sur la fiche.
- N'utilisez que des systèmes d'isolation appropriés : des coupe-circuits, des fusibles (les fusibles à visser doivent être retirés du support), un disjoncteur différentiel et des contacteurs.
- L'installation électrique doit être équipée d'un dispositif d'isolement à coupure omnipolaire. Le dispositif d'isolement doit présenter une distance d'ouverture des contacts d'au moins 3 mm.

## 2.2 Branchement électrique



**AVERTISSEMENT!**  
Risque d'incendie ou d'électrocution.

- L'ensemble des branchements électriques doit être effectué par un technicien qualifié.
- L'appareil doit être relié à la terre.
- Avant toute intervention, assurez-vous que l'appareil est débranché.
- Vérifiez que les données électriques figurant sur la plaque signalétique correspondent à celles de votre réseau. Si ce n'est pas le cas, contactez un électricien.
- Assurez-vous que l'appareil est bien installé. Un câble d'alimentation lâche et inapproprié ou une fiche (si présente) non serrée peuvent être à l'origine d'une surchauffe des bornes.

## 2.3 Utilisation



### AVERTISSEMENT!

Risque de blessures, de brûlures ou d'électrocution.

- Avant la première utilisation, retirez les emballages, les étiquettes et les films de protection (si présents).
- Utilisez cet appareil dans un environnement domestique.
- Ne modifiez pas les caractéristiques de cet appareil.
- Assurez-vous que les orifices de ventilation ne sont pas bouchés.
- Ne laissez jamais l'appareil sans surveillance pendant son fonctionnement.
- Éteignez les zones de cuisson après chaque utilisation.
- Ne posez pas de couverts ou de couvercles sur les zones de cuisson. Elles sont chaudes.
- N'utilisez jamais cet appareil avec les mains mouillées ou lorsqu'il est en contact avec de l'eau.
- N'utilisez jamais l'appareil comme plan de travail ou comme plan de stockage.
- Si la surface de l'appareil présente des fêlures, débranchez immédiatement l'appareil. pour éviter tout risque d'électrocution.
- Lorsque vous versez un aliment dans de l'huile chaude, elle peut éclabousser.



### AVERTISSEMENT!

Risque d'incendie et d'explosion.

- Les graisses et l'huile chaudes peuvent dégager des vapeurs inflammables. Tenez les flammes ou les objets chauds éloignés des graisses et de l'huile lorsque vous vous en servez pour cuisiner.
- Les vapeurs dégagées par l'huile très chaude peuvent provoquer une combustion spontanée.
- L'huile qui a servi contient des restes d'aliments pouvant provoquer un incendie à température plus faible que l'huile n'ayant jamais servi.
- Ne placez pas de produits inflammables ou d'éléments imbibés

de produits inflammables à l'intérieur ou à proximité de l'appareil, ni sur celui-ci.



### AVERTISSEMENT!

Risque d'endommagement de l'appareil.

- Ne laissez pas de récipients chauds sur le bandeau de commande.
- Ne posez pas de couvercle de casserole chaud sur la surface en verre de la table de cuisson.
- Ne laissez pas le contenu des récipients de cuisson s'évaporer complètement.
- Prenez soin de ne pas laisser tomber d'objets ou de récipients sur l'appareil. Sa surface risque d'être endommagée.
- Ne faites jamais fonctionner les zones de cuisson avec des récipients de cuisson vides ou sans aucun récipient de cuisson.
- Ne placez jamais de papier aluminium sur l'appareil.
- N'utilisez pas de récipients en fonte ou en aluminium, ni de récipients dont le fond est endommagé et rugueux. Ils risqueraient de rayer le verre ou la surface vitrocéramique. Soulevez toujours ces objets lorsque vous devez les déplacer sur la surface de cuisson.
- Cet appareil est exclusivement destiné à un usage culinaire. Ne l'utilisez pas pour des usages autres que celui pour lequel il a été conçu, à des fins de chauffage par exemple.

## 2.4 Entretien et nettoyage



### AVERTISSEMENT!

Ne retirez pas les touches, manettes et joints du bandeau de commande. De l'eau pourrait s'infiltrer dans l'appareil et l'endommager.

- Nettoyez régulièrement l'appareil afin de maintenir le revêtement en bon état.
- Éteignez l'appareil et laissez-le refroidir avant de le nettoyer.

- Débranchez l'appareil de l'alimentation électrique avant toute opération de maintenance.
- Ne pulvérisez pas d'eau ni de vapeur pour nettoyer l'appareil.
- Nettoyez l'appareil avec un chiffon doux humide. Utilisez uniquement des produits de lavage neutres. N'utilisez pas de produits abrasifs, de tampons à récurer, de solvants ni d'objets métalliques.

## 2.5 Mise au rebut



### AVERTISSEMENT!

Risque de blessure ou d'asphyxie.

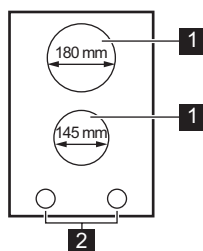
- Contactez votre service municipal pour obtenir des informations sur la marche à suivre pour mettre l'appareil au rebut.
- Débranchez l'appareil de l'alimentation électrique.
- Coupez le câble d'alimentation au ras de l'appareil et mettez-le au rebut.

## 2.6 Maintenance

- Pour réparer l'appareil, contactez un service après-vente agréé.
- Utilisez exclusivement des pièces d'origine.

# 3. DESCRIPTION DE L'APPAREIL

## 3.1 Description de la table de cuisson



**1** Zone de cuisson

**2** Manettes de commande

## 3.2 Manette de commande

Symbole	Fonction
0	Position Arrêt
1 - 6	Niveaux de cuisson

## 3.3 Chaleur résiduelle



### AVERTISSEMENT!

La chaleur résiduelle peut être source de brûlures.

# 4. UTILISATION QUOTIDIENNE



### AVERTISSEMENT!

Reportez-vous aux chapitres concernant la sécurité.

## 4.1 Le niveau de cuisson

Pour régler ou modifier le niveau de cuisson, tournez la manette sur le niveau de cuisson souhaité. Pour désactiver, tournez la manette sur la position Off.

## 5. CONSEILS



### AVERTISSEMENT!

Reportez-vous aux chapitres concernant la sécurité.

### 5.1 Ustensiles de cuisson



Le fond de l'ustensile de cuisson doit être aussi plat et épais que possible.



Les récipients de cuisson avec un fond en émail, en aluminium ou en cuivre peuvent laisser des traces sur la surface vitrocéramique.

### 5.2 Exemples de cuissons

Niveau de cuisson :	Utilisation :
1	Maintenir au chaud

Niveau de cuisson :	Utilisation :
2	Faire mijoter doucement
3	Faire mijoter
4	Faire frire / gratiner
5	Faire bouillir
6	Faire bouillir / Saisir / Faire frire

## 6. ENTRETIEN ET NETTOYAGE



### AVERTISSEMENT!

Reportez-vous aux chapitres concernant la sécurité.

### 6.1 Informations générales

- Nettoyez la table de cuisson après chaque utilisation.
- Utilisez toujours un plat de cuisson dont le fond est propre.
- Les rayures ou les taches sombres sur la surface n'ont aucune incidence sur le fonctionnement de la table de cuisson.
- Utilisez un nettoyeur spécialement adapté à la surface de la table de cuisson.
- Utilisez un racloir spécial pour la vitre.

### 6.2 Nettoyage de la table de cuisson

- **Enlevez immédiatement** : plastique fondu, films plastiques, sucre et aliments contenant du sucre. Sinon, la saleté pourrait endommager la table de cuisson. Veillez à ne pas vous brûler. Tenez le racloir spécial incliné sur la surface vitrée et faites glisser la lame du racloir pour enlever les salissures.
- **Une fois que la table de cuisson a suffisamment refroidi, enlevez** : traces de calcaire et d'eau, projections de graisse, décolorations métalliques luisantes. Nettoyez la table de cuisson à l'aide d'un chiffon humide et d'un détergent non abrasif. Après le nettoyage, séchez la table de cuisson à l'aide d'un chiffon doux.
- **Pour retirer les décolorations métalliques brillantes** : utilisez une

solution d'eau additionnée de vinaigre et nettoyez la surface vitrée avec un chiffon humide.

## 7. EN CAS D'ANOMALIE DE FONCTIONNEMENT



### AVERTISSEMENT!

Reportez-vous aux chapitres concernant la sécurité.

### 7.1 En cas d'anomalie de fonctionnement

Anomalie	Cause possible	Solution
Vous ne pouvez pas mettre en fonctionnement la table de cuisson.	La table de cuisson n'est pas connectée à une source d'alimentation électrique ou le branchement est incorrect.	Vérifiez que la table de cuisson est correctement branchée à une source d'alimentation électrique. Reportez-vous au schéma de branchement.
	Le fusible a disjoncté.	Vérifiez que le fusible est bien la cause de l'anomalie. Si les fusibles disjonctent de manière répétée, faites appel à un électricien qualifié.

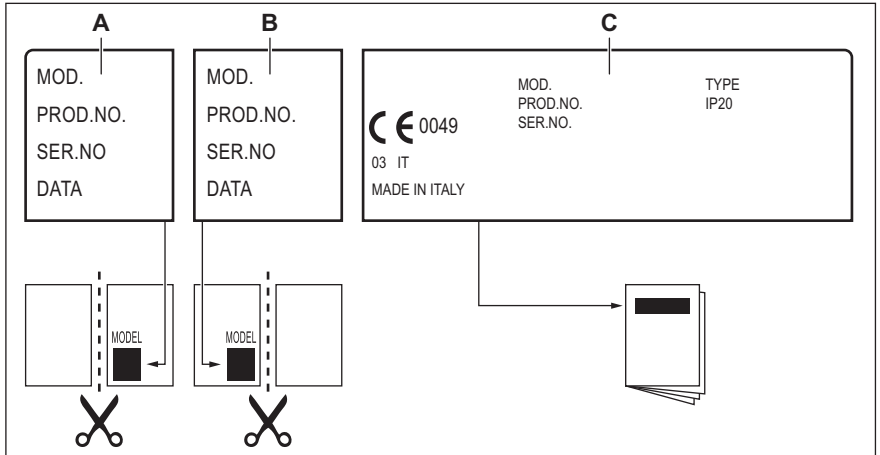
### 7.2 Si vous ne trouvez pas de solution...

Si vous ne trouvez pas de solution au problème, veuillez contacter votre revendeur ou un service après-vente agréé. Veuillez lui fournir les informations se trouvant sur la plaque signalétique. Donnez également la combinaison à 3 lettres et chiffres pour la vitrocéramique (située dans un des coins de la surface en verre). Assurez-vous d'utiliser

correctement l'appareil. En cas d'erreur de manipulation de la part de l'utilisateur, le déplacement du technicien du service après-vente ou du vendeur pourra être facturé, même en cours de garantie. Les instructions relatives au service après-vente et aux conditions de garantie figurent dans le livret de garantie.

## 7.3 Étiquettes fournies dans le sachet des accessoires

Collez les étiquettes adhésives comme indiqué ci-dessous :



- A. Collez-la sur la carte de garantie et envoyez cette partie (le cas échéant).  
 B. Collez-la sur la carte de garantie et conservez cette partie (le cas échéant).

- C. Collez-la sur la notice d'utilisation.

## 8. INSTALLATION



### AVERTISSEMENT!

Reportez-vous aux chapitres concernant la sécurité.

### 8.1 Avant l'installation

Avant d'installer la table de cuisson, notez les informations de la plaque signalétique ci-dessous. La plaque signalétique se trouve au bas de la table de cuisson.

Modèle .....  
 PNC .....  
 Numéro de série .....

### 8.2 Tables de cuisson intégrées

Les tables de cuisson encastrables ne peuvent être mises en fonctionnement qu'après avoir été installées dans des

meubles et sur des plans de travail homologués et adaptés.

### 8.3 Câble d'alimentation

- La table de cuisson est fournie avec un câble d'alimentation.
- Pour remplacer le câble d'alimentation endommagé, utilisez le type de câble suivant (ou supérieur) : H05V2V2-F T min. 90 °C. Contactez votre service après-vente.

### 8.4 Installation du joint

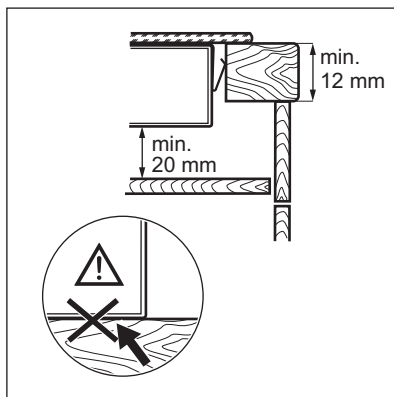
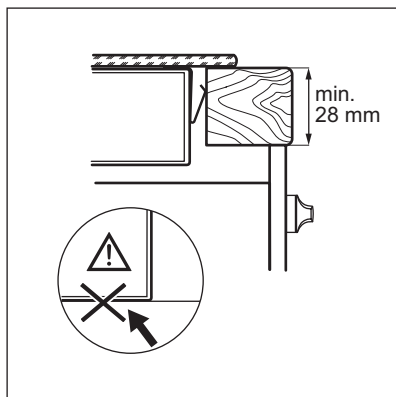
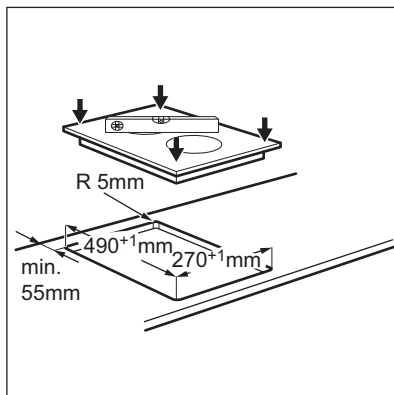
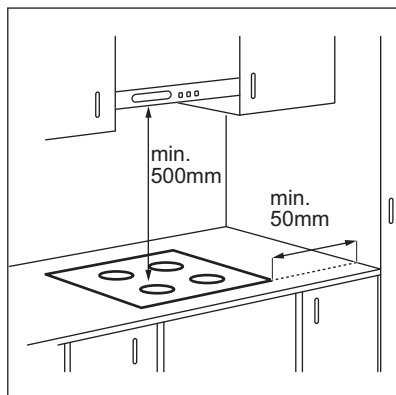
1. Nettoyez la zone de découpe du plan de travail.
2. Placez le joint fourni sur le bord inférieur de la table de cuisson, le long du bord externe de la surface vitrocéramique. N'étirez pas le joint.

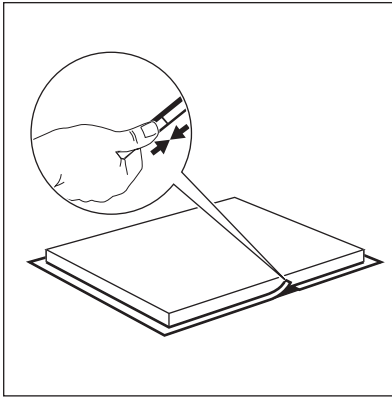
Assurez-vous que les extrémités du joint se trouvent au milieu d'un bord latéral de la table de cuisson.

3. Lorsque vous découpez le joint, ajoutez quelques millimètres de longueur.

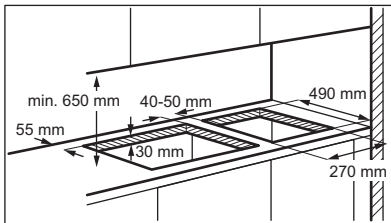
## 8.5 Montage

4. Rassemblez les deux extrémités du joint.





## 8.6 Installation de plusieurs tables de cuisson



Si vous devez installer plusieurs tables de cuisson de 30 cm les unes à côté des autres dans la même découpe, vous pouvez vous procurer un kit de montage comprenant un support latéral et des joints supplémentaires auprès de votre service après vente agréé. Les instructions d'installation correspondantes sont fournies avec le kit.

# 9. CARACTÉRISTIQUES TECHNIQUES

## 9.1 Caractéristiques des zones de cuisson

Zone de cuisson	Puissance nominale (niveau de cuisson max.) [W]	Diamètre de la zone de cuisson [mm]
Avant centrale	1200	145
Arrière centrale	1700	180

Pour des résultats de cuisson optimaux, utilisez des récipients qui ne dépassent pas le diamètre de la zone de cuisson.

# 10. RENDEMENT ÉNERGÉTIQUE

## 10.1 Informations sur le produit selon la norme EU 66/2014

Identification du modèle	EHF3920BOK
--------------------------	------------

Type de table de cuisson	Table de cuisson intégrée	
Nombre de zones de cuisson	2	
Technologie de chauffage	Chauffage par rayonnement	
Diamètre des zones de cuisson circulaires (Ø)	Avant centrale Arrière centrale	14,5 cm 18,0 cm
Consommation d'énergie selon la zone de cuisson (EC electric cooking)	Avant centrale Arrière centrale	194,9 Wh / kg 194,9 Wh / kg
Consommation d'énergie de la table de cuisson (EC electric hob)	194,9 Wh / kg	


EN 60350-2 - Appareils de cuisson domestiques électriques - Partie 2 : Tables de cuisson - Méthodes de mesure des performances


## 10.2 Économie d'énergie

Vous pouvez économiser de l'énergie au quotidien en suivant les conseils suivants.

- Si vous faites chauffer de l'eau, ne faites chauffer que la quantité dont vous avez réellement besoin.
- Si possible, couvrez toujours les récipients de cuisson avec un couvercle pendant la cuisson.
- Activez toujours la zone de cuisson après avoir posé le récipient dessus.
- Le fond du récipient doit avoir le même diamètre que la zone de cuisson.
- Placez les plus petits récipients sur les plus petites zones de cuisson.
- Posez directement le récipient au centre de la zone de cuisson.
- Vous pouvez utiliser la chaleur résiduelle pour conserver les aliments au chaud ou pour faire fondre.

# 11. EN MATIÈRE DE PROTECTION DE L'ENVIRONNEMENT

Recyclez les matériaux portant le symbole . Déposez les emballages dans les conteneurs prévus à cet effet. Contribuez à la protection de l'environnement et à votre sécurité, recyclez vos produits électriques et

électroniques. Ne jetez pas les appareils portant le symbole  avec les ordures ménagères. Emmenez un tel produit dans votre centre local de recyclage ou contactez vos services municipaux.

# INHALTSVERZEICHNIS

1. SICHERHEITSHINWEISE.....	25
2. SICHERHEITSANWEISUNGEN.....	28
3. GERÄTEBESCHREIBUNG.....	30
4. TÄGLICHER GEBRAUCH.....	31
5. TIPPS UND HINWEISE.....	31
6. REINIGUNG UND PFLEGE.....	31
7. FEHLERSUCHE.....	32
8. MONTAGE.....	33
9. TECHNISCHE DATEN.....	35
10. ENERGIEEFFIZIENZ.....	35

## WIR DENKEN AN SIE

Vielen Dank, dass Sie sich für ein Gerät von Electrolux entschieden haben. Sie haben ein Produkt gewählt, hinter dem jahrzehntelange professionelle Erfahrung und Innovation stehen. Bei der Entwicklung dieses großartigen und eleganten Geräts haben wir an Sie gedacht. So haben Sie bei jedem Gebrauch die Gewissheit, dass Sie stets großartige Ergebnisse erzielen werden. Willkommen bei Electrolux.

**Besuchen Sie uns auf unserer Website, um:**



Sich Anwendungshinweise, Prospekte, Fehlerbehebungs- und Service-Informationen zu holen:

**[www.electrolux.com/webservice](http://www.electrolux.com/webservice)**



Ihr Produkt für einen besseren Service zu registrieren:

**[www.registerelectrolux.com](http://www.registerelectrolux.com)**






Zubehör, Verbrauchsmaterial und Original-Ersatzteile für Ihr Gerät zu kaufen:

**[www.electrolux.com/shop](http://www.electrolux.com/shop)**

## REPARATUR- UND KUNDENDIENST

Bitte verwenden Sie ausschließlich Original-Ersatzteile für Ihre Produkte. Halten Sie folgende Angaben bereit, wenn Sie sich an den Kundendienst wenden: Modell, Produktnummer (PNC), Seriennummer. Diese Informationen finden Sie auf dem Typenschild.

-  Warnungs-/Sicherheitshinweise
-  Allgemeine Informationen und Empfehlungen
-  Informationen zum Umweltschutz

Änderungen vorbehalten.

### 1. SICHERHEITSHINWEISE

Lesen Sie vor der Montage und dem Gebrauch des Geräts zuerst die Gebrauchsanleitung. Bei Verletzungen oder Schäden infolge nicht ordnungsgemäßer Montage

oder Verwendung des Geräts übernimmt der Hersteller keine Haftung. Bewahren Sie die Anleitung immer an einem sicheren und zugänglichen Ort zum späteren Nachschlagen auf.

## 1.1 Sicherheit von Kindern und schutzbedürftigen Personen

- Das Gerät kann von Kindern ab 8 Jahren und Personen mit eingeschränkten physischen, sensorischen oder geistigen Fähigkeiten oder mit mangelnder Erfahrung und/oder mangelndem Wissen nur dann verwendet werden, wenn sie durch eine für ihre Sicherheit zuständige Person beaufsichtigt werden oder in die sichere Verwendung des Geräts eingewiesen wurden und die mit dem Gerät verbundenen Gefahren verstanden haben.
- Kinder dürfen nicht mit dem Gerät spielen.
- Halten Sie sämtliches Verpackungsmaterial von Kindern fern und entsorgen Sie es auf angemessene Weise.
- Halten Sie Kinder und Haustiere während des Betriebs oder der Abkühlphase vom Gerät fern. Berührbare Teile sind heiß.
- Falls Ihr Gerät mit einer Kindersicherung ausgestattet ist, empfehlen wir, diese einzuschalten.
- Kinder dürfen keine Reinigung und Wartung ohne Beaufsichtigung durchführen.
- Kinder bis zu 3 Jahren sind während des Betriebs unbedingt von dem Gerät fernzuhalten.

## 1.2 Allgemeine Sicherheit

- **WARNUNG:** Das Gerät und die zugänglichen Geräteteile werden während des Betriebs heiß. Seien Sie vorsichtig und berühren Sie niemals die Heizelemente. Halten Sie Kinder unter 8 Jahren vom Gerät fern, wenn sie nicht ständig beaufsichtigt werden.

- Schalten Sie das Gerät nicht über eine externe Zeitschaltuhr oder eine separate Fernsteuerung ein.
- **WARNUNG:** Kochen mit Fett oder Öl auf einem unbeaufsichtigten Kochfeld ist gefährlich und kann zu einem Brand führen.
- Versuchen Sie **NICHT** einen Brand mit Wasser zu löschen, sondern schalten Sie das Gerät aus und bedecken Sie die Flamme mit einem Deckel oder einer Feuerlöschdecke.
- **VORSICHT:** Der Kochvorgang muss überwacht werden. Ein kurzer Kochvorgang muss kontinuierlich überwacht werden.
- **WARNUNG:** Brandgefahr: Legen Sie keine Gegenstände auf dem Kochfeld ab.
- Legen Sie keine Metallgegenstände wie Messer, Gabeln, Löffel oder Topfdeckel auf die Oberfläche des Kochfelds, da diese heiß werden können.
- Reinigen Sie das Gerät nicht mit einem Dampfstrahlreiniger.
- Hat die Glaskeramik-/Glasoberfläche einen Sprung, schalten Sie das Gerät aus, um einen Stromschlag zu vermeiden.
- Wenn das Netzkabel beschädigt ist, muss es vom Hersteller, einem autorisierten Kundendienst oder einer gleichermaßen qualifizierten Person ausgetauscht werden, um Gefahrenquellen zu vermeiden.
- **WARNUNG:** Verwenden Sie nur Schutzabdeckungen des Herstellers des Kochgeräts, von ihm in der Bedienungsanleitung als geeignete und empfohlene Schutzabdeckungen oder die im Gerät enthaltene Schutzabdeckung. Es besteht Unfallgefahr durch die Verwendung ungeeigneter Schutzabdeckungen.

## 2. SICHERHEITSANWEISUNGEN

### 2.1 Montage



#### **WARNUNG!**

Die Montage des Geräts darf nur von einer qualifizierten Fachkraft durchgeführt werden.



#### **WARNUNG!**

Verletzungsgefahr sowie Risiko von Schäden am Gerät.

- Entfernen Sie das gesamte Verpackungsmaterial.
- Montieren Sie ein beschädigtes Gerät nicht und benutzen Sie es nicht.
- Halten Sie sich an die mitgelieferte Montageanleitung.
- Die Mindestabstände zu anderen Geräten und Küchenmöbeln sind einzuhalten.
- Seien Sie beim Bewegen des Gerätes vorsichtig, da es sehr schwer ist. Tragen Sie stets Sicherheitshandschuhe und festes Schuhwerk.
- Dichten Sie die Ausschnittskanten mit einem Dichtungsmittel ab, um ein Aufquellen durch Feuchtigkeit zu verhindern.
- Schützen Sie die Geräteunterseite vor Dampf und Feuchtigkeit.
- Installieren Sie das Gerät nicht direkt neben einer Tür oder unter einem Fenster. So kann heißes Kochgeschirr nicht herunterfallen, wenn die Tür oder das Fenster geöffnet wird.
- Wird das Gerät über Schubladen eingebaut, achten Sie darauf, dass zwischen dem Geräteboden und der oberen Schublade ein ausreichender Abstand für die Luftzirkulation vorhanden ist.
- Der Boden des Geräts kann heiß werden. Achten Sie darauf eine feuerfeste Trennplatte unter dem Gerät anzubringen, damit der Boden nicht zugänglich ist.

### 2.2 Elektrischer Anschluss



#### **WARNUNG!**

Brand- und Stromschlaggefahr.

- Alle elektrischen Anschlüsse sind von einem geprüften Elektriker vorzunehmen.
- Das Gerät muss geerdet sein.
- Vor der Durchführung jeglicher Arbeiten muss das Gerät von der elektrischen Stromversorgung getrennt werden.
- Stellen Sie sicher, dass die elektrischen Daten auf dem Typenschild den Daten Ihrer Stromversorgung entsprechen. Wenden Sie sich anderenfalls an eine Elektrofachkraft.
- Achten Sie darauf, dass das Gerät ordnungsgemäß montiert wird. Wenn freiliegende oder ungeeignete Netzkabel oder Netzstecker (fall vorhanden) verwendet werden, kann der Anschluss überhitzen.
- Stellen Sie sicher, dass Sie das richtige Kabel für den elektrischen Netzanschluss verwenden.
- Achten Sie darauf, dass das Netzkabel nicht lose hängt oder sich verheddert.
- Sorgen Sie dafür, dass ein Berührungsschutz installiert wird.
- Verwenden Sie die Zugentlastung für das Kabel.
- Stellen Sie beim elektrischen Anschluss des Gerätes sicher, dass das Netzkabel oder ggf. der Netzstecker nicht mit dem heißen Gerät oder heißem Kochgeschirr in Berührung kommt.
- Verwenden Sie keine Mehrfachsteckdosen oder Verlängerungskabel.
- Achten Sie darauf, Netzstecker (falls vorhanden) und Netzkabel nicht zu beschädigen. Wenden Sie sich zum Austausch des beschädigten Netzkabels an unseren autorisierten Kundendienst oder eine Elektrofachkraft.

- Alle Teile, die gegen direktes Berühren schützen, sowie die isolierten Teile müssen so befestigt werden, dass sie nicht ohne Werkzeug entfernt werden können.
- Stecken Sie den Netzstecker erst nach Abschluss der Montage in die Steckdose. Stellen Sie sicher, dass der Netzstecker nach der Montage noch zugänglich ist.
- Falls die Steckdose lose ist, schließen Sie den Netzstecker nicht an.
- Ziehen Sie nicht am Netzkabel, wenn Sie das Gerät vom Netzstrom trennen möchten. Ziehen Sie stets am Netzstecker.
- Verwenden Sie nur geeignete Trenneinrichtungen: Überlastschalter, Sicherungen (Schraubsicherungen müssen aus dem Halter entfernt werden können), Erdschlüsse, Kontakte.
- Die elektrische Installation muss eine Trenneinrichtung aufweisen, mit der Sie das Gerät allpolig von der Stromversorgung trennen können. Die Trenneinrichtung muss mit einer Kontaktöffnungsweite von mindestens 3 mm ausgeführt sein.

## 2.3 Gebrauch



### **WARNUNG!**

Verletzungs-, Verbrennungs- und Stromschlaggefahr.

- Entfernen Sie vor dem ersten Gebrauch das gesamte Verpackungsmaterial, die Aufkleber und Schutzfolie (falls vorhanden).
- Das Gerät ist für die Verwendung im Haushalt vorgesehen.
- Nehmen Sie keine technischen Änderungen am Gerät vor.
- Die Lüftungsöffnungen dürfen nicht abgedeckt werden.
- Lassen Sie das Gerät bei Betrieb nicht unbeaufsichtigt.
- Schalten Sie die Kochzonen nach jedem Gebrauch aus.
- Legen Sie kein Besteck und keine Topfdeckel auf die Kochzonen. Sie werden heiß.
- Bedienen Sie das Gerät nicht mit feuchten oder nassen Händen oder

wenn es mit Wasser in Kontakt gekommen ist.

- Benutzen Sie das Gerät nicht als Arbeits- oder Abstellfläche.
- Hat die Geräteoberfläche einen Sprung, trennen Sie das Gerät umgehend von der Spannungsversorgung. Dies dient zur Vermeidung eines Stromschlags.
- Wenn Sie Nahrungsmittel in heißes Öl geben, kann dieses spritzen.



### **WARNUNG!**

Brand- und Explosionsgefahr!

- Erhitzte Öle und Fette können brennbare Dämpfe freisetzen. Halten Sie Flammen und erhitzte Gegenstände beim Kochen mit Fetten und Ölen von diesen fern.
- Die von sehr heißem Öl freigesetzten Dämpfe können eine Selbstzündung verursachen.
- Bereits verwendetes Öl kann Lebensmittelreste enthalten und schon bei niedrigeren Temperaturen eher einen Brand verursachen als frisches Öl.
- Platzieren Sie keine entflammaren Produkte oder Gegenstände, die mit entflammaren Produkten benetzt sind, im Gerät, auf dem Gerät oder in der Nähe des Geräts.



### **WARNUNG!**

Das Gerät könnte beschädigt werden.

- Stellen Sie kein heißes Kochgeschirr auf das Bedienfeld.
- Legen Sie keine heißen Topfdeckel auf die Glasoberfläche des Kochfeldes.
- Lassen Sie das Kochgeschirr nicht leerkochen.
- Lassen Sie keine Gegenstände oder Kochgeschirr auf das Gerät fallen. Die Oberfläche könnte beschädigt werden.
- Schalten Sie die Kochzonen niemals ein, wenn sich kein Kochgeschirr darauf befindet, oder wenn das Kochgeschirr leer ist.
- Legen Sie keine Alufolie auf das Gerät.

- Kochgeschirr aus Gusseisen, Aluminium oder mit beschädigten Böden kann die Glas- bzw. Glaskeramikoberfläche verkratzen. Heben Sie das Kochgeschirr stets an, wenn Sie es auf dem Kochfeld umsetzen möchten.
- Dieses Gerät ist nur zum Kochen bestimmt. Jeder andere Gebrauch ist als bestimmungsfremd anzusehen, zum Beispiel das Beheizen eines Raums.

## 2.4 Reinigung und Pflege



### WARNING!

Entfernen Sie nicht die Tasten, Knöpfe oder Dichtungen vom Bedienfeld. Wasser könnte in das Gerät gelangen und es beschädigen.

- Reinigen Sie das Gerät regelmäßig, um eine Verschlechterung des Oberflächenmaterials zu verhindern.
- Schalten Sie das Gerät vor dem Reinigen aus und lassen Sie es abkühlen.
- Trennen Sie das Gerät vor Wartungsarbeiten von der Spannungsversorgung.
- Reinigen Sie das Gerät nicht mit Wasserspray oder Dampf.

- Reinigen Sie das Gerät mit einem weichen, feuchten Tuch. Verwenden Sie ausschließlich Neutralreiniger. Benutzen Sie keine Scheuermittel, scheuernde Reinigungsschwämmchen, Lösungsmittel oder Metallgegenstände.

## 2.5 Entsorgung



### WARNING!

Verletzungs- und Erstickungsgefahr.

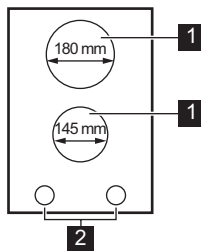
- Für Informationen zur ordnungsgemäßen Entsorgung des Geräts wenden Sie sich an die zuständige kommunale Behörde vor Ort.
- Trennen Sie das Gerät von der Stromversorgung.
- Schneiden Sie das Netzkabel in der Nähe des Geräts ab, und entsorgen Sie es.

## 2.6 Service

- Wenden Sie sich zur Reparatur des Geräts an einen autorisierten Kundendienst.
- Verwenden Sie ausschließlich Originalersatzteile.

# 3. GERÄTEBESCHREIBUNG

## 3.1 Kochfeldanordnung



- 1** Kochzone
- 2** Einstellknöpfe

### 3.2 Kochzonen-Einstellknopf

Symbol	Funktion
0	Stellung Aus
1 - 6	Heizstufen

### 3.3 Restwärme



#### WARNUNG!

Es besteht  
Verbrennungsgefahr durch  
Restwärme.

## 4. TÄGLICHER GEBRAUCH



#### WARNUNG!

Siehe Kapitel  
"Sicherheitshinweise".

### 4.1 Kochstufe

Drehen Sie den Knopf zum Einstellen  
oder Ändern der Kochstufe auf die

richtige Kochstufe. Zum Ausschalten  
drehen Sie den Knopf auf die Aus-  
Position.

## 5. TIPPS UND HINWEISE



#### WARNUNG!

Siehe Kapitel  
"Sicherheitshinweise".

### 5.1 Kochgeschirr



Der Boden des  
Kochgeschirrs sollte so dick  
und flach wie möglich sein.



Kochgeschirr aus  
Stahlemaille oder mit  
Aluminium- oder  
Kupferböden kann  
Verfärbungen der  
Glaskeramikoberfläche  
verursachen.

### 5.2 Anwendungsbeispiele für das Kochen

Koch- stufe:	Anwendung:
1	Warmhalten
2	Sanftes Köcheln
3	Köcheln
4	Braten/Bräunen
5	Zum Kochen bringen
6	Zum Kochen bringen/Schnel- les Braten/Frittieren

## 6. REINIGUNG UND PFLEGE



#### WARNUNG!

Siehe Kapitel  
"Sicherheitshinweise".

### 6.1 Allgemeine Informationen

- Reinigen Sie das Kochfeld nach  
jedem Gebrauch.
- Achten Sie immer darauf, dass der  
Boden des Kochgeschirrs sauber ist.
- Kratzer oder dunkle Flecken auf der  
Oberfläche beeinträchtigen die

Funktionsfähigkeit des Kochfelds  
nicht.

- Verwenden Sie einen Spezialreiniger  
zur Reinigung der  
Kochfeldoberfläche.
- Verwenden Sie einen speziellen  
Reinigungsschaber für Glas.

### 6.2 Reinigen des Kochfelds

- **Folgendes muss sofort entfernt  
werden:** geschmolzener Kunststoff,  
Plastikfolie, Zucker bzw. zuckerhaltige

Lebensmittel. Andernfalls können die Verschmutzungen das Kochfeld beschädigen. Achten Sie darauf, dass sich niemand Verbrennungen zuzieht. Den speziellen Reinigungsschaber schräg zur Glasfläche ansetzen und über die Oberfläche bewegen.

- **Folgendes kann nach ausreichender Abkühlung des Kochfelds entfernt werden:** Kalk- und Wasserränder, Fettspritzer und metallisch schimmernde Verfärbungen. Reinigen Sie das

Kochfeld mit einem feuchten Tuch und nicht scheuernden Reinigungsmittel. Wischen Sie das Kochfeld nach der Reinigung mit einem weichen Tuch trocken.

- **Entfernen Sie metallisch schimmernde Verfärbungen:** Benutzen Sie für die Reinigung der Glasoberfläche ein mit einer Lösung aus Essig und Wasser angefeuchtetes Tuch.

## 7. FEHLERSUCHE



### WARNUNG!

Siehe Kapitel "Sicherheitshinweise".

### 7.1 Was tun, wenn ...

Störung	Mögliche Ursache	Abhilfe
Das Kochfeld kann nicht eingeschaltet oder bedient werden.	Das Kochfeld ist nicht oder nicht ordnungsgemäß an die Spannungsversorgung angeschlossen.	Prüfen Sie, ob das Kochfeld ordnungsgemäß an die Spannungsversorgung angeschlossen ist. Nehmen Sie dazu den Anschlussplan zu Hilfe.
	Die Sicherung ist durchgebrannt.	Vergewissern Sie sich, dass die Sicherung der Grund für die Störung ist. Brennt die Sicherung wiederholt durch, wenden Sie sich an eine zugelassene Elektrofachkraft.

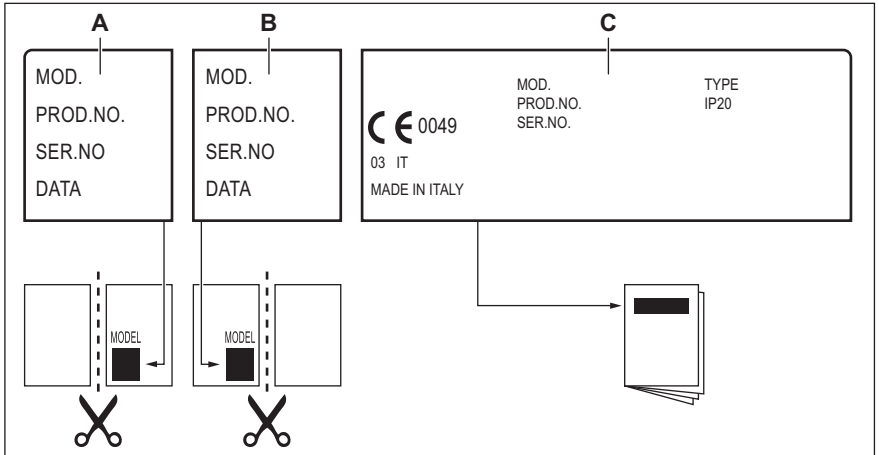
### 7.2 Wenn Sie das Problem nicht lösen können...

Wenn Sie das Problem nicht selbst lösen können, wenden Sie sich an Ihren Händler oder einen autorisierten Kundendienst. Geben Sie die Daten, die Sie auf dem Typenschild finden, an. Geben Sie dabei den dreistelligen Buchstaben-Code für die Glaskeramik (befindet sich in der Ecke der Glasfläche) an. Vergewissern Sie sich, dass Sie das

Kochfeld korrekt bedient haben. Wenn Sie das Gerät falsch bedient haben, fällt auch während der Garantiezeit für die Reparatur durch einen Techniker oder Händler eine Gebühr an. Die Informationen zum Kundendienst und die Garantiebedingungen finden Sie im Garantieheft.

### 7.3 Im Zubehörbeutel mitgelieferte Aufkleber

Bringen Sie die Aufkleber, wie unten gezeigt, an:



- A. Kleben Sie ihn auf die Garantiekarte und verschicken Sie diesen Teil (falls vorhanden).
- B. Kleben Sie ihn auf die Garantiekarte und behalten Sie diesen Teil (falls vorhanden).
- C. Kleben Sie ihn auf die Gebrauchsanleitung.

## 8. MONTAGE



**WARNUNG!**  
Siehe Kapitel "Sicherheitshinweise".

### 8.1 Vor der Montage

Notieren Sie vor der Montage des Kochfelds folgende Daten, die Sie auf dem Typenschild finden. Das Typenschild ist auf dem Boden des Kochfelds angebracht.

Modell .....  
 Produktnummer  
 (PNC) .....  
 Seriennummer .....

### 8.2 Einbau-Kochfelder

Einbau-Kochfelder dürfen nur nach dem Einbau in bzw. unter normgerechte, passende Einbauschränke und Arbeitsplatten betrieben werden.

### 8.3 Anschlusskabel

- Das Kochfeld wird mit einem Anschlusskabel geliefert.
- Ersetzen Sie ein defektes Netzkabel durch ein Netzkabel des folgenden (oder eines höheren) Typs: H05V2V2-F T min 90 °C. Wenden Sie sich an den Kundendienst.

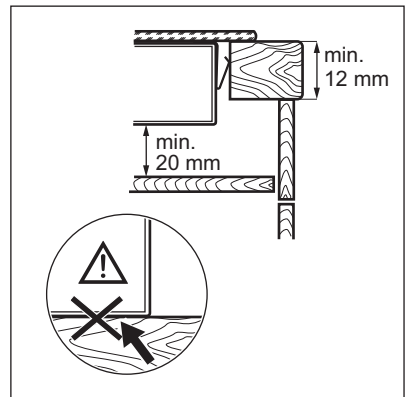
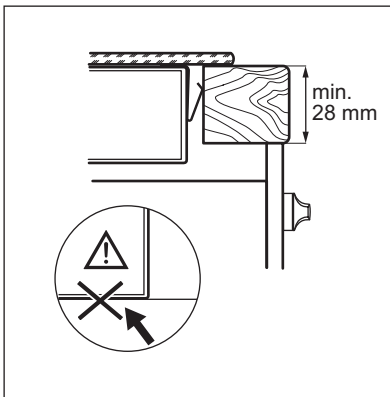
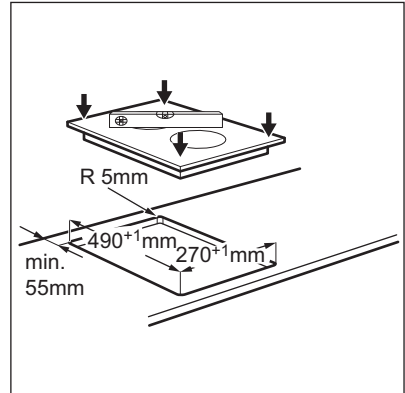
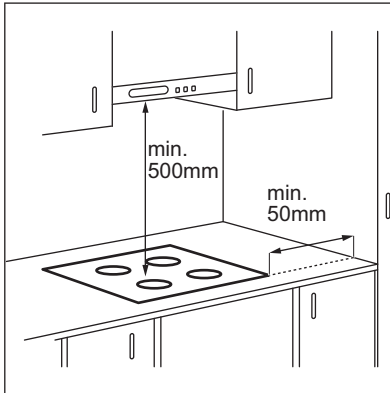
## 8.4 Anbringen der Dichtung

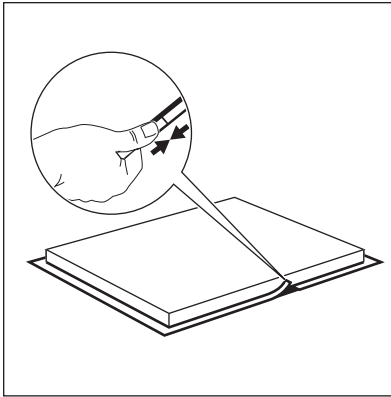
1. Reinigen Sie die Arbeitsplatte um den Ausschnittbereich.
2. Bringen Sie das mitgelieferte Dichtungsband umlaufend auf der Unterseite des Kochfelds entlang des äußeren Randes der Glaskeramikscheibe an. Dehnen Sie es nicht. Stellen Sie sicher, dass sich

die Enden des Dichtungsbands in der Mitte auf einer der Seiten des Kochfelds befinden.

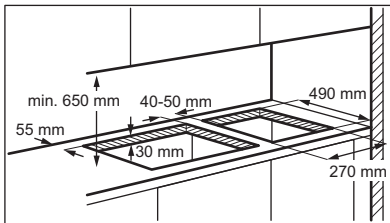
3. Geben Sie einige mm hinzu, wenn Sie die Länge des Dichtungsbands zuschneiden.
4. Drücken Sie die beiden Enden des Dichtungsbands zusammen.

## 8.5 Montage





## 8.6 Montage von mehr als einem Kochfeld



Verwenden Sie den Montage-Bausatz, der einen seitlichen Stützträger und zusätzliche Dichtungen enthält, wenn mehrere 30-cm-Kochfelder nebeneinander in dieselbe Aussparung eingebaut werden. Der Bausatz ist beim autorisierten Kundendienst erhältlich. Die Montageanleitung wird mit dem Bausatz geliefert.

## 9. TECHNISCHE DATEN

### 9.1 Technische Daten der Kochzonen

Kochzone	Nennleistung (höchste Kochstufe) [W]	Durchmesser der Kochzone [mm]
Vorne Mitte	1200	145
Hinten Mitte	1700	180

Verwenden Sie für optimale Kochergebnisse kein Kochgeschirr,

dessen Durchmesser größer als der der Kochzone ist.

## 10. ENERGIEEFFIZIENZ

### 10.1 Produktinformationen gemäß EU 66/2014

Modellidentifikation	EHF3920BOK
Kochfeldtyp	Einbau-Kochfeld

Anzahl der Kochzonen		2
Heiztechnologie		Kochzone mit Strahlungsbeheizung
Durchmesser der kreisförmigen Kochzonen (Ø)	Vorne Mitte Hinten Mitte	14,5 cm 18,0 cm
Energieverbrauch pro Kochzone (EC electric cooking)	Vorne Mitte Hinten Mitte	194,9 Wh/kg 194,9 Wh/kg
Energieverbrauch des Kochfelds (EC electric hob)		194,9 Wh/kg

EN 60350-2 - Elektrische Kochgeräte für den Hausgebrauch - Teil 2: Kochfelder - Verfahren zur Messung der Gebrauchseigenschaften


## 10.2 Energie sparen


Beachten Sie folgende Tipps, um beim täglichen Kochen Energie zu sparen.

- Wenn Sie Wasser erwärmen, verwenden Sie nur die benötigte Menge.
- Decken Sie Kochgeschirr, wenn möglich, mit einem Deckel ab.

- Stellen Sie Kochgeschirr auf die Kochzone, bevor Sie sie einschalten.
- Der Boden des Kochgeschirrs sollte denselben Durchmesser wie die Kochzone haben.
- Stellen Sie kleineres Kochgeschirr auf die kleineren Kochzonen.
- Stellen Sie das Kochgeschirr mittig auf die Kochzone.
- Nutzen Sie die Restwärme, um die Speisen warm zu halten oder zu schmelzen.

## 11. UMWELTTIPPS

Recyceln Sie Materialien mit dem Symbol . Entsorgen Sie die Verpackung in den entsprechenden Recyclingbehältern. Recyceln Sie zum Umwelt- und Gesundheitsschutz elektrische und elektronische Geräte.

Entsorgen Sie Geräte mit diesem Symbol  nicht mit dem Hausmüll. Bringen Sie das Gerät zu Ihrer örtlichen Sammelstelle oder wenden Sie sich an Ihr Gemeindeamt.

# INDICE

1. INFORMAZIONI DI SICUREZZA.....	37
2. ISTRUZIONI DI SICUREZZA.....	40
3. DESCRIZIONE DEL PRODOTTO.....	42
4. UTILIZZO QUOTIDIANO.....	43
5. CONSIGLI E SUGGERIMENTI UTILI.....	43
6. PULIZIA E CURA.....	43
7. RISOLUZIONE DEI PROBLEMI.....	44
8. INSTALLAZIONE.....	45
9. DATI TECNICI.....	47
10. EFFICIENZA ENERGETICA.....	47

## PENSATI PER VOI

Grazie per aver acquistato un'apparecchiatura Electrolux. Avete scelto un prodotto che ha alle spalle decenni di esperienza professionale e innovazione. Ingegnoso ed elegante, è stato progettato pensando a voi. Quindi, in qualsiasi momento desiderate utilizzarlo, potete esser certi di ottenere sempre i migliori risultati.

Benvenuti in Electrolux.

**Visitate il nostro sito web per:**



Ricevere consigli d'uso, scaricare i nostri opuscoli, eliminare eventuali anomalie, ottenere informazioni sull'assistenza:

**[www.electrolux.com/webselfservice](http://www.electrolux.com/webselfservice)**



Registrazione il vostro prodotto e ricevere un servizio migliore:

**[www.registerelectrolux.com](http://www.registerelectrolux.com)**



Acquistare accessori, materiali di consumo e ricambi originali per la vostra apparecchiatura:

**[www.electrolux.com/shop](http://www.electrolux.com/shop)**

## SERVIZIO CLIENTI E MANUTENZIONE


Consigliamo sempre l'impiego di ricambi originali.

Quando si contatta il Centro di Assistenza autorizzato, accertarsi di disporre dei seguenti dati: Modello, numero dell'apparecchio (PNC), numero di serie.

Le informazioni si trovano sulla targhetta di identificazione.

 **Avvertenza/Attenzione** - Importanti Informazioni per la sicurezza

 **Informazioni e suggerimenti generali**

 **Informazioni sull'ambiente**

Con riserva di modifiche.

### 1. INFORMAZIONI DI SICUREZZA

Leggere attentamente le istruzioni fornite prima di installare e utilizzare l'apparecchiatura. I produttori non sono responsabili di eventuali lesioni o danni derivanti

da un'installazione o un uso scorretti. Conservare sempre le istruzioni in un luogo sicuro e accessibile per poterle consultare in futuro.

## 1.1 Sicurezza dei bambini e delle persone vulnerabili

- Questa apparecchiatura può essere usata da bambini a partire dagli 8 anni e da adulti con limitate capacità fisiche, sensoriali o mentali o con scarsa esperienza o conoscenza sull'uso dell'apparecchiatura, solamente se sorvegliati o se istruiti relativamente all'uso dell'apparecchiatura e se hanno compreso i rischi coinvolti.
- Non consentire ai bambini di giocare con l'apparecchio.
- Tenere gli imballaggi lontano dai bambini e smaltirli in modo adeguato.
- Tenere i bambini e gli animali domestici lontano dall'apparecchiatura durante il funzionamento o raffreddamento. Le parti accessibili sono incandescenti.
- Se l'apparecchiatura ha un dispositivo di sicurezza per i bambini sarà opportuno attivarlo.
- I bambini non devono eseguire interventi di pulizia e manutenzione sull'apparecchiatura senza essere supervisionati.
- I bambini di 3 anni e di età inferiore vanno tenuti alla larga dall'apparecchiatura quando è in funzione, in ogni momento.

## 1.2 Avvertenze di sicurezza generali

- **AVVERTENZA:** L'apparecchiatura e le parti accessibili si riscaldano molto durante l'uso. Abbiate cura di non toccare gli elementi riscaldanti. Tenere lontani i bambini al di sotto dei 8 anni se non costantemente supervisionati.

- Non utilizzare un timer esterno o un sistema di controllo remoto distinto per mettere in funzione l'apparecchiatura.
- **AVVERTENZA:** Non lasciare mai il piano di cottura incustodito durante la preparazione di cibi in quanto olio e grassi potrebbero provocare un incendio.
- Non tentare MAI di spegnere un incendio con dell'acqua; spegnere l'apparecchiatura e coprire le fiamme ad es. con un coperchio o una coperta di protezione dal fuoco.
- **ATTENZIONE:** Il processo di cottura deve essere sorvegliato. Un breve processo di cottura deve essere supervisionato senza soluzione di continuità.
- **AVVERTENZA:** Pericolo di incendio: Non conservare nulla sulle superfici di cottura.
- Oggetti metallici quali coltelli, forchette, cucchiari e coperchi non dovrebbero essere posti sulla superficie del piano di cottura in quanto possono diventare caldi.
- Non usare una pulitrice a vapore per pulire l'apparecchiatura.
- Se la superficie di vetroceramica/vetro presenta delle crepe, spegnere l'apparecchiatura per evitare il rischio di scossa elettrica.
- Se il cavo di alimentazione è danneggiato, deve essere sostituito dal produttore, da un tecnico autorizzato o da una persona qualificata per evitare situazioni di pericolo.
- **AVVERTENZA:** Servirsi unicamente di protezioni per il piano cottura progettate dal produttore dell'apparecchiatura o indicate dallo stesso nelle istruzioni d'uso, ad esempio accessori idonei o le protezioni del piano cottura incorporate nell'apparecchiatura. L'uso inadeguato delle protezioni può causare incidenti.

## 2. ISTRUZIONI DI SICUREZZA

### 2.1 Installazione



#### AVVERTENZA!

L'installazione dell'apparecchiatura deve essere eseguita da personale qualificato.



#### AVVERTENZA!

Vi è il rischio di ferirsi o danneggiare l'apparecchiatura.

- Rimuovere tutti i materiali di imballaggio.
- Non installare o utilizzare l'apparecchiatura se è danneggiata.
- Attenersi alle istruzioni fornite insieme all'apparecchiatura.
- È necessario rispettare la distanza minima dalle altre apparecchiature.
- Prestare sempre attenzione in fase di spostamento dell'apparecchiatura, dato che è pesante. Usare sempre i guanti di sicurezza e le calzature adeguate.
- Proteggere le superfici di taglio con un materiale di tenuta per evitare che l'umidità causi dei rigonfiamenti.
- Proteggere la base dell'apparecchiatura da vapore e umidità.
- Non installare l'apparecchiatura accanto ad una porta o sotto una finestra. Per evitare che pentole calde cadano dall'apparecchiatura quando la porta o la finestra sono aperte.
- Se l'apparecchiatura viene installata sopra dei cassetti, assicurarsi che lo spazio, tra la base dell'apparecchiatura e il cassetto superiore, sia sufficiente per il ricircolo d'aria.
- La base dell'apparecchiatura può surriscaldarsi. Si consiglia di installare un pannello divisorio in materiale non infiammabile al di sotto dell'apparecchiatura per rendere inaccessibile la base.

### 2.2 Collegamento elettrico



#### AVVERTENZA!

Rischio di incendio e scossa elettrica.

- Tutti i collegamenti elettrici devono essere realizzati da un elettricista qualificato.
- L'apparecchiatura deve disporre di una messa a terra.
- Prima di qualsiasi intervento, è necessario verificare che l'apparecchiatura sia scollegata dalla rete elettrica.
- Verificare che i dati elettrici riportati sulla targhetta dei dati corrispondano a quelli dell'impianto. In caso contrario, contattare un elettricista.
- Verificare che l'apparecchiatura sia installata correttamente.
- L'allentamento di un collegamento elettrico o di una spina (ove previsti) può provocare il surriscaldamento del terminale.
- Utilizzare il cavo di alimentazione appropriato.
- Evitare che i collegamenti elettrici si aggroviglino.
- Assicurarsi che la protezione da scosse elettriche sia installata.
- Utilizzare il morsetto fermacavo sul cavo.
- Assicurarsi che il cavo di alimentazione o la spina (ove prevista) non sfiori l'apparecchiatura calda o pentole calde quando si collega l'apparecchiatura alle prese vicine
- Non utilizzare prese multiple e prolunghe.
- Accertarsi di non danneggiare la spina e il cavo (ove previsti). Contattare il nostro Centro di Assistenza autorizzato o un elettricista qualificato per sostituire un cavo danneggiato.
- I dispositivi di protezione da scosse elettriche devono essere fissati in modo tale da non poter essere disattivati senza l'uso di attrezzi.
- Inserire la spina di alimentazione nella presa solo al termine

dell'installazione. Verificare che la spina di alimentazione rimanga accessibile dopo l'installazione.

- Nel caso in cui la spina di corrente sia allentata, non collegarla alla presa.
- Non tirare il cavo di alimentazione per scollegare l'apparecchiatura. Tirare solo la spina.
- Servirsi unicamente di dispositivi di isolamento adeguati: interruttori automatici, fusibili (quelli a tappo devono essere rimossi dal portafusibile), sganciatori per correnti di guasto a terra e relé.
- L'impianto elettrico deve essere dotato di un dispositivo di isolamento che consenta di scollegare l'apparecchiatura dalla presa di corrente a tutti i poli. Il dispositivo di isolamento deve avere una larghezza dell'apertura di contatto non inferiore ai 3 mm.

### 2.3 Utilizzo



#### **AVVERTENZA!**

Rischio di lesioni, ustioni o scosse elettriche.

- Rimuovere tutti i materiali di imballaggio, le etichette e la pellicola protettiva (ove presente) prima del primo utilizzo.
- Utilizzare l'apparecchiatura in un ambiente domestico.
- Non modificare le specifiche tecniche dell'apparecchiatura.
- Accertarsi che le fessure di ventilazione non siano ostruite.
- Non lasciare mai l'apparecchiatura incustodita durante il funzionamento.
- Spegnerla la zona di cottura dopo ogni utilizzo.
- Non appoggiare posate o coperchi sulle zone di cottura. Possono diventare roventi.
- Non mettere in funzione l'apparecchiatura con le mani umide o quando c'è un contatto con l'acqua.
- Non utilizzare l'apparecchiatura come superficie di lavoro o come piano di appoggio.
- Se la superficie dell'apparecchiatura presenta delle incrinature, scollegare immediatamente l'apparecchiatura

dall'alimentazione. per evitare scosse elettriche.

- Un alimento immerso nell'olio molto caldo può provocare degli schizzi.



#### **AVVERTENZA!**

Pericolo di incendio ed esplosioni.

- Grassi e olio caldi possono rilasciare vapori infiammabili. Mantenere fiamme o oggetti caldi lontani da grassi e olio quando li si utilizza per cucinare.
- I vapori rilasciati da un olio molto caldo possono provocare una combustione spontanea.
- L'olio usato, che può contenere residui di cibo, può liberare delle fiamme ad una temperatura inferiore rispetto ad un olio utilizzato per la prima volta.
- Non appoggiare o tenere liquidi o materiali infiammabili, né oggetti facilmente incendiabili sull'apparecchiatura, al suo interno o nelle immediate vicinanze.



#### **AVVERTENZA!**

Vi è il rischio di danneggiare l'apparecchiatura.

- Non poggiare pentole calde sul pannello dei comandi.
- Non mettere coperchi caldi sulla superficie in vetro del piano cottura.
- Non esporre al calore pentole vuote.
- Fare attenzione a non lasciar cadere oggetti o pentole sull'apparecchiatura. La superficie si potrebbe danneggiare.
- Non mettere in funzione le zone di cottura in assenza di pentole o con pentole vuote.
- Non appoggiare la pellicola di alluminio direttamente sull'apparecchiatura.
- Lo spostamento di pentole in ghisa, in alluminio o con fondi danneggiati può graffiare il vetro o la vetroceramica. Per spostare questi oggetti sollevarli sempre dalla superficie di cottura.
- L'apparecchiatura è destinata solo alla cottura. Non deve essere utilizzata per altri scopi, come per esempio il riscaldamento di un ambiente.

## 2.4 Manutenzione e pulizia



### AVVERTENZA!

Non togliere pulsanti, manopole o guarnizioni dal pannello dei comandi. L'acqua potrebbe penetrare nell'apparecchiatura e causare danni.

- Pulire regolarmente l'apparecchiatura per evitare il deterioramento dei materiali che compongono la superficie.
- Disattivare l'apparecchiatura e lasciarla raffreddare prima di procedere con la pulizia.
- Scollegare l'apparecchiatura dalla rete elettrica prima di eseguire le operazioni di manutenzione.
- Non nebulizzare acqua né utilizzare vapore per pulire l'apparecchiatura.
- Pulire l'apparecchiatura con un panno inumidito e morbido. Utilizzare solo detersivi neutri. Non usare prodotti

abrasivi, spugnette abrasive, solventi od oggetti metallici.

## 2.5 Smaltimento



### AVVERTENZA!

Rischio di lesioni o soffocamento.

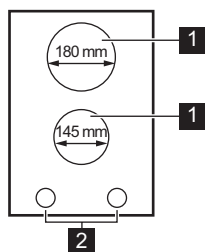
- Rivolgersi all'autorità municipale per informazioni su come smaltire correttamente l'elettrodomestico.
- Staccare la spina dall'alimentazione elettrica.
- Tagliare il cavo elettrico dell'apparecchiatura e smaltirlo.

## 2.6 Assistenza Tecnica

- Per riparare l'apparecchiatura contattare il Centro di Assistenza Autorizzato.
- Utilizzare esclusivamente ricambi originali.

# 3. DESCRIZIONE DEL PRODOTTO

## 3.1 Disposizione della superficie di cottura



**1** Zona di cottura

**2** Manopole di regolazione

## 3.2 Manopola di regolazione

Simbolo	Funzione
0	Posizione di spegnimento
1 - 6	Livelli di potenza

## 3.3 Calore residuo



### AVVERTENZA!

Il calore residuo può essere causa di ustioni.

## 4. UTILIZZO QUOTIDIANO



### AVVERTENZA!

Fare riferimento ai capitoli sulla sicurezza.

### 4.1 Livello di potenza

Per impostare o modificare il livello di potenza, ruotare la manopola sul livello

di potenza corretto. Portare la manopola sulla posizione di spento per spegnere l'apparecchiatura.

## 5. CONSIGLI E SUGGERIMENTI UTILI



### AVVERTENZA!

Fare riferimento ai capitoli sulla sicurezza.

### 5.1 Pentole



Il fondo delle pentole dovrebbe essere il più possibile spesso e piano.



Le stoviglie in acciaio smaltato e con i basamenti in alluminio o rame possono subire perdite di colore sulla superficie in vetroceramica.

Livello di potenza:	Applicazione:
2	Cottura delicata a fuoco lento
3	Cottura a fuoco lento
4	Frittura/rosolatura
5	Portare a ebollizione
6	Portare a ebollizione/frittura veloce/frittura in olio abbondante

### 5.2 Esempi di impiego per la cottura

Livello di potenza:	Applicazione:
1	Trasmissione del calore

## 6. PULIZIA E CURA



### AVVERTENZA!

Fare riferimento ai capitoli sulla sicurezza.

### 6.1 Informazioni generali

- Pulire il piano di cottura dopo ogni impiego.
- Usare sempre pentole con il fondo pulito.

- I graffi o le macchie scure sulla superficie non compromettono il funzionamento del piano di cottura.
- Usare un prodotto di pulizia speciale adatto alla superficie del piano di cottura.
- Il vetro richiede l'uso di un raschietto speciale.

### 6.2 Pulizia del piano di cottura

- **Togliere immediatamente:** plastica fusa, pellicola in plastica, zucchero e

alimenti contenenti zucchero. Se non vengono eliminati, potrebbero danneggiare il piano di cottura. Attenzione a evitare le ustioni. Appoggiare lo speciale raschietto sulla superficie in vetro, formando un angolo acuto, e spostare la lama sulla superficie.

- **Quando il piano di cottura è sufficientemente raffreddato, è possibile rimuovere:** i segni di calcare e d'acqua, le macchie di

grasso e le macchie opalescenti. Pulire il piano di cottura con un panno umido e un detergente non abrasivo. Al termine della pulizia, asciugare il piano di cottura con un panno morbido.

- **Togliere macchie opalescenti:** usare una soluzione di acqua con aceto e pulire la superficie in vetro con un panno umido.

## 7. RISOLUZIONE DEI PROBLEMI



### AVVERTENZA!

Fare riferimento ai capitoli sulla sicurezza.

### 7.1 Cosa fare se...

Problema	Causa possibile	Rimedio
Non è possibile attivare il piano di cottura o metterlo in funzione.	Il piano di cottura non è collegato a una fonte di alimentazione elettrica o non è collegato correttamente.	Accertarsi che il piano di cottura sia collegato correttamente alla rete elettrica. Fare riferimento allo schema di collegamento.
	È scattato il fusibile.	Verificare se l'anomalia di funzionamento è dovuta al fusibile. Nel caso in cui il fusibile continui a scattare, rivolgersi ad un elettricista qualificato.

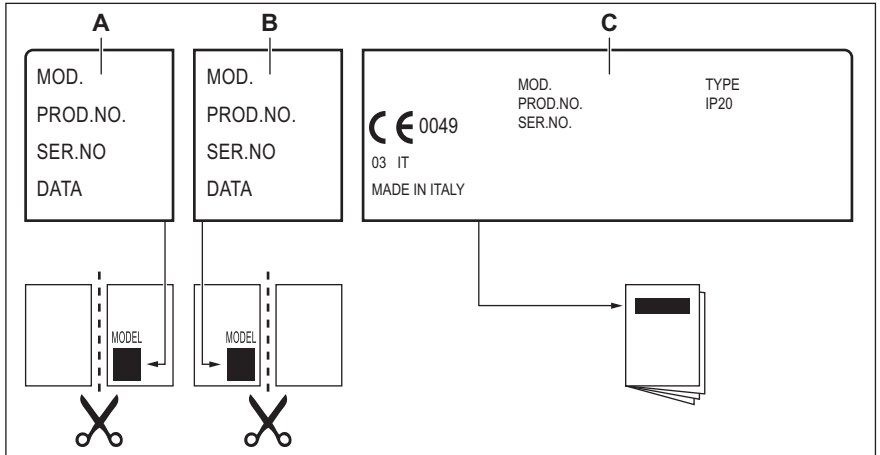
### 7.2 Se non è possibile trovare una soluzione...

Qualora non sia possibile trovare una soluzione al problema, contattare il rivenditore o il Centro di Assistenza Autorizzato. Fornire i dati riportati sulla targhetta dei dati. Fornire inoltre il codice a tre lettere per il piano in vetroceramica (si trova nell'angolo della superficie in vetro) Assicurarsi di aver acceso il piano di cottura correttamente. In caso di

azionamento errato dell'apparecchiatura, l'intervento del tecnico del Centro di Assistenza o del rivenditore potrà essere effettuato a pagamento anche durante il periodo di garanzia. Le istruzioni relative al Centro di Assistenza e alle condizioni di garanzia sono contenute nel libretto della garanzia.

## 7.3 Etichette fornite con il sacchetto degli accessori

Attaccare le etichette adesive come indicato di seguito:



- A.** Attaccarla sul Foglietto di garanzia ed inviare questa parte (ove prevista).
- B.** Attaccarla sul Foglietto di garanzia e conservare questa parte (ove prevista).

- C.** Attaccarla sul libretto di istruzioni.

## 8. INSTALLAZIONE



### AVVERTENZA!

Fare riferimento ai capitoli sulla sicurezza.

### 8.1 Prima dell'installazione

Prima di installare il piano di cottura, annotare l'informazione riportata di seguito presente sulla targhetta dei dati. La targhetta dei dati è applicata sul lato inferiore del piano di cottura.

Modello .....  
 PNC .....  
 Numero di serie .....

### 8.2 Piani di cottura da incasso

Utilizzare esclusivamente piani di cottura da incasso solo dopo l'installazione in idonei piani di lavoro e mobili da incasso conformi alle norme.

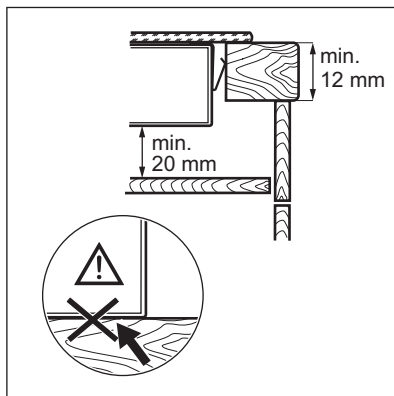
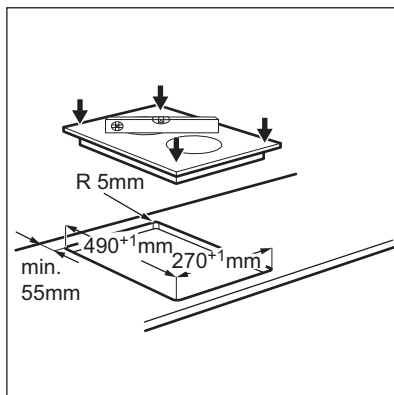
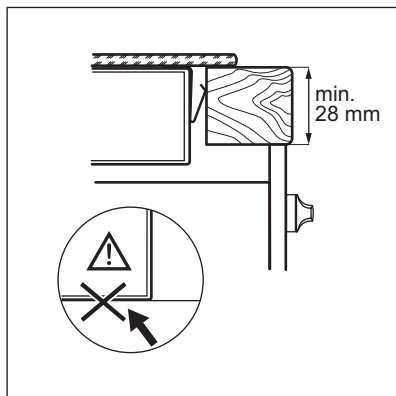
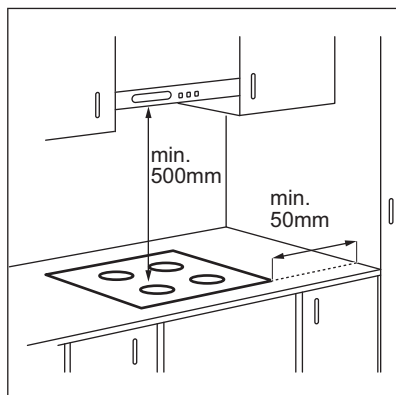
### 8.3 Cavo di collegamento

- Il piano di cottura è fornito con un cavo di collegamento.
- Per sostituire il cavo di alimentazione danneggiato, utilizzare il tipo di cavo di alimentazione seguente (o superiore): H05V2V2-F T min 90°C. Contattare il Centro di Assistenza locale.

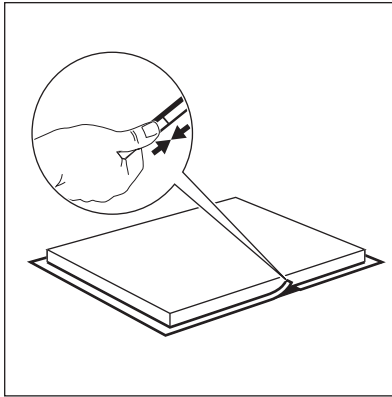
## 8.4 Posizionamento della guarnizione

1. Pulire il piano di lavoro attorno alla zona di incasso.
2. Fissare il nastro adesivo in dotazione attorno alla parte inferiore dell'apparecchiatura lungo il bordo esterno del piano in vetroceramica.

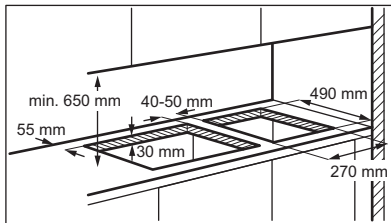
## 8.5 Montaggio



- Non tenderla eccessivamente. Assicurarsi che le estremità del nastro adesivo si trovino al centro di un lato del piano di cottura.
3. Lasciare qualche millimetro di nastro adesivo in più prima di tagliare.
  4. Far combaciare le due estremità del nastro adesivo.



## 8.6 Installazione di più di un piano di cottura



Se devono essere installati diversi piani di cottura di 30 cm fianco a fianco nello stesso incasso, presso i nostri Centri di Assistenza autorizzati sono disponibili: un kit di assemblaggio che include una staffa di supporto laterale e guarnizioni supplementari. Le relative istruzioni di installazione vengono fornite assieme al kit.

## 9. DATI TECNICI

### 9.1 Caratteristiche tecniche zone di cottura

Zona di cottura	Potenza nominale (impostazione di calore massima) [W]	Diametro della zona di cottura [mm]
Anteriore centrale	1200	145
Posteriore centrale	1700	180

Per risultati di cottura ottimali, utilizzare pentole con un diametro non superiore alla zona di cottura.

## 10. EFFICIENZA ENERGETICA

### 10.1 Informazioni sul prodotto conformi a EU 66/2014

Identificativo modello

EHF3920BOK

Tipo di piano di cottura		Piano di cottura da incasso
Numero di zone di cottura		2
Tecnologia di calore		Riscaldatore radiante
Diametro delle zone di cottura circolari (Ø)	Anteriore centrale Posteriore centrale	14,5 cm 18,0 cm
Consumo di energia per zona di cottura (EC electric cooking)	Anteriore centrale Posteriore centrale	194,9 Wh / kg 194,9 Wh / kg
Consumo di energia del piano di cottura (EC electric hob)		194,9 Wh / kg

EN 60350-2 - Apparecchiature elettriche per la cottura per uso domestico - Parte 2: Piani di cottura - Metodi per la misurazione delle prestazioni


## 10.2 Risparmio energetico


È possibile risparmiare energia quotidianamente durante la cottura seguendo i suggerimenti che seguono.

- Quando si riscalda l'acqua, utilizzare solo la quantità necessaria.

- Se possibile, coprire sempre le pentole con il coperchio.
- Prima di attivare la zona di cottura, sistemare la pentola.
- Il fondo della pentola deve avere lo stesso diametro della zona di cottura.
- Sistemare le pentole più piccole sulle zone di cottura più piccole.
- Posizionare le pentole direttamente al centro della zona di cottura.
- Utilizzare il calore residuo per mantenere caldi i cibi o fonderli.

# 11. CONSIDERAZIONI SULL'AMBIENTE

Riciclare i materiali con il simbolo . Buttare l'imballaggio negli appositi contenitori per il riciclaggio. Aiutare a proteggere l'ambiente e la salute umana e a riciclare rifiuti derivanti da apparecchiature elettriche ed elettroniche. Non smaltire le

apparecchiature che riportano il simbolo  insieme ai normali rifiuti domestici. Portare il prodotto al punto di riciclaggio più vicino o contattare il comune di residenza.







[www.electrolux.com/shop](http://www.electrolux.com/shop)



867332879-B-342018

