

Introduction

Congratulations on your purchase and welcome to Philips! To fully benefit from the support that Philips offers, register your product at www.philips.com/welcome.

General description

- 1 **Motor unit**
 - A Driving shaft
 - B Locking arm
 - C Control knob
 - D Cord storage facility
 - E Overload protection button
- 2 **Juicer**
 - F Cover of pusher
 - G Pusher with pre-clean function
 - H Feeding tube
 - I Lid
 - J Sieve
 - K Juice collector with (L) spout with drip stop function
 - M Pulp container
- 3 **Juice jug lid with integrated foam separator**
- 4 **Juice jug**

Important

Read this user manual carefully before you use the appliance and save it for future reference.

Danger

- Never immerse the motor unit in water or any other liquid, nor rinse it under the tap.
- Do not clean the motor unit in the dishwasher.

Warning

- Check if the voltage indicated on the base of the appliance corresponds to the local mains voltage before you connect the appliance.
- Do not use the appliance if the plug, the mains cord or other components are damaged.
- If the mains cord is damaged, you must have it replaced by Philips, a service centre authorised by Philips or similarly qualified persons in order to avoid a hazard.
- This appliance can be used by persons with reduced physical, sensory or mental capabilities or lack of experience and knowledge if they have been given supervision or instruction concerning use of the appliance in a safe way and if they understand the hazards involved.
- This appliance shall not be used by children. Keep the appliance and its cord out of the reach of children.
- Children shall not play with the appliance. Never let the appliance operate unattended.
- Always disconnect the appliance from the mains if you leave it unattended or before you assemble, disassemble or clean it.
- Do not use the appliance if the sieve or the lid is damaged in any way or shows visible cracks and contact the nearest Philips service centre.
- Never reach into the feeding tube with your fingers or an object while the appliance is operating. Only use the pusher for this purpose.
- Do not touch the small cutting blades in the base of the sieve. They are very sharp.
- Do not insert other items than fruits, vegetables or the pusher into the feeding tube.
- Always place and use the appliance on a dry, stable and level surface.
- To ensure that the appliance stands stably, keep the surface on which the appliance stands and the bottom of the appliance clean.
- Do not eat the pulp or use for preparing dishes.
- This appliance is intended for household use only.

Caution

- Do not hold the appliance by the locking arm when you carry it.
- Always unwind the power cord totally from the cord storage area before use.
- Never use any accessories or parts from other manufacturers or that Philips does not specifically recommend. If you use such accessories or parts, your guarantee becomes invalid.
- Make sure all parts are correctly assembled before you switch on the appliance.
- Only use the appliance when the locking arm is in locked position.
- Before you disassemble the appliance and before you clean it, set the control knob to off position and remove the plug from the wall socket. Then lower the locking arm to unlocked position.
- Only lower the locking arm to unlocked position after you have switched off the appliance and the sieve has stopped rotating.
- Always unplug the appliance after use.
- Noise level: Lc = 78 dB(A).

Safety feature

This appliance is fitted with a safety feature which safeguards against overheating due to excessive loads. In case of overheating, the juicer automatically activates the overload protection and switches itself off. If this occurs, set the control knob to 0, unplug the appliance and let it cool down for 15 minutes. Remove the juice jug and detach the lid, the juice collector and the pulp container and then press the overload protection button on the bottom of the motor unit.

Electromagnetic fields (EMF)

This Philips appliance complies with all applicable standards and regulations regarding exposure to electromagnetic fields.

Before first use

Thoroughly clean the parts that come into contact with food before you use the appliance for the first time (see chapter 'Cleaning').

Note

- Always check the sieve before use. If you detect any cracks or damage, do not use the appliance.
- Make sure the locking arm is locked into position.

Using the appliance

Juicing

You can use the juicer to produce fruit, vegetable and green juice.

Tips

- Do not operate the juicer for more than 60 seconds at a time when you juice heavy loads and let it cool down sufficiently afterwards.
- Before you start juicing make sure that the spout is in correct juice position, the opening of the spout should point downwards.

- To avoid splashing of juice, place the juice jug with properly assembled juice jug lid below the spout.
- Turn the control knob to setting 1 (low speed) or 2 (normal speed).
- Speed 1 is especially suitable for soft fruits and vegetables such as watermelons, grapes, tomatoes and cucumbers.
- Speed 2 is suitable for all other kinds of fruit and vegetables such as apples, carrots and beetroots.

Note

- Always switch on the device and be sure it is running at full speed before you insert fruits or vegetables into the feeding tube.
- Do not exert too much pressure on the pusher, as this could affect the quality of the end result. It could even cause the sieve to come to a halt.
- Never insert your fingers or an object into the feeding tube.
- If the pulp container becomes full during use, switch off the appliance and detach the lid and the juice collector. Then carefully remove the pulp container and empty it.
- For optimal performance clean the unit (lid, sieve, pulp container) after each jug of juice.

Drip Stop

- After you have processed all ingredients and the juice flow has stopped, turn the spout clockwise by about 120° to activate the drip stop function.

Empty the pulp container

Note: When the pulp container has reached its maximum capacity, pulp ends up in the juice collector, lid and in the juice.

If the pulp container becomes overfilled, the appliance may become blocked. When this occurs, switch off the appliance and remove the pulp from the pulp container. Let the appliance cool down for 15 minutes and press the overload protection button on the bottom of the motor unit to reset.

The transparent pulp container helps you to see when the pulp container is full. Also check the level indication on the juice jug. When the pulp reaches the level of the juice collector, the pulp container needs to be emptied.

Tips

Preparations

- Use fresh fruit and vegetables, as they contain more juice. Pineapples, beetroots, celery stalks, apples, cucumbers, carrots, spinach, melons, tomatoes, oranges and grapes are particularly suitable for processing in the juicer.
- The juicer is not suitable for processing very hard and/or fibrous or starchy fruits or vegetables such as sugar cane.
- Leaves and leaf stalks of e.g. lettuce can also be processed in the juicer. To get most out of your leafy greens, roll them up before juicing and juice the greens in-between hard fruits like apples or carrots.
- Remove stones from cherries, plums, peaches, etc. You do not have to remove cores or seeds from fruits like melons, apples and grapes.
- When you use the juicer, you do not have to remove thin peels or skins. Only remove thick peels that you would not eat, e.g. those of oranges, pineapples, kiwis, melons, pomegranates and uncooked beetroots.
- When you prepare apple juice, take into consideration that the thickness of the apple juice depends on the kind of apple you use. The juicier the apple, the thinner the juice. Choose a kind of apple that produces the type of juice you prefer.

- If you want to process citrus fruits with the juicer, remove the peel as well as the white pith. The white pith gives juice a bitter taste.
- Fruits that contain starch, such as bananas, papayas, avocados, figs and mangoes are not suitable for processing in the juicer. Use a food processor, blender or hand blender to process these fruits.
- To extract the maximum amount of juice, always press down the pusher slowly.

Serving

- Drink the juice immediately after you have extracted it.
- If you want clear juice without a foam layer, put the lid with integrated foam separator on the juice jug. If you want cloudy juice with a foam layer, remove the lid with integrated foam separator from the juice jug and stir the juice before you pour it in a glass.
- Apple juice turns brown very quickly. To slow down this process, add a few drops of lemon juice.
- When you serve cold drinks, add a few ice cubes.

Cleaning

Never use scouring pads, abrasive cleaning agents or aggressive liquids such as alcohol, petrol or acetone to clean the appliance.

The appliance is easier to clean if you do so immediately after use. To keep your kitchen clean, all detachable parts (pulp container, juice collector, sieve and lid) can be carried to the sink in one go.

Tip: Use a sponge to clean the sieve.

Pre-clean function

When you use the pre-clean function, the lid and the sieve are rinsed with water. Use speed 2 for the pre-clean function to achieve the best results. Use the pre-clean function:

- To make the juicer easier to clean.
- To rinse the juicer when you switch to a different fruit or vegetable and want to avoid mixing flavours.
- To dilute the juice with water and catch even the last drop of juice.

Storage

To store the cord, wind it round the cord storage facility in the base of the appliance.

Caution: Do not hold the appliance by the locking arm or spout when you carry it.

Ordering accessories

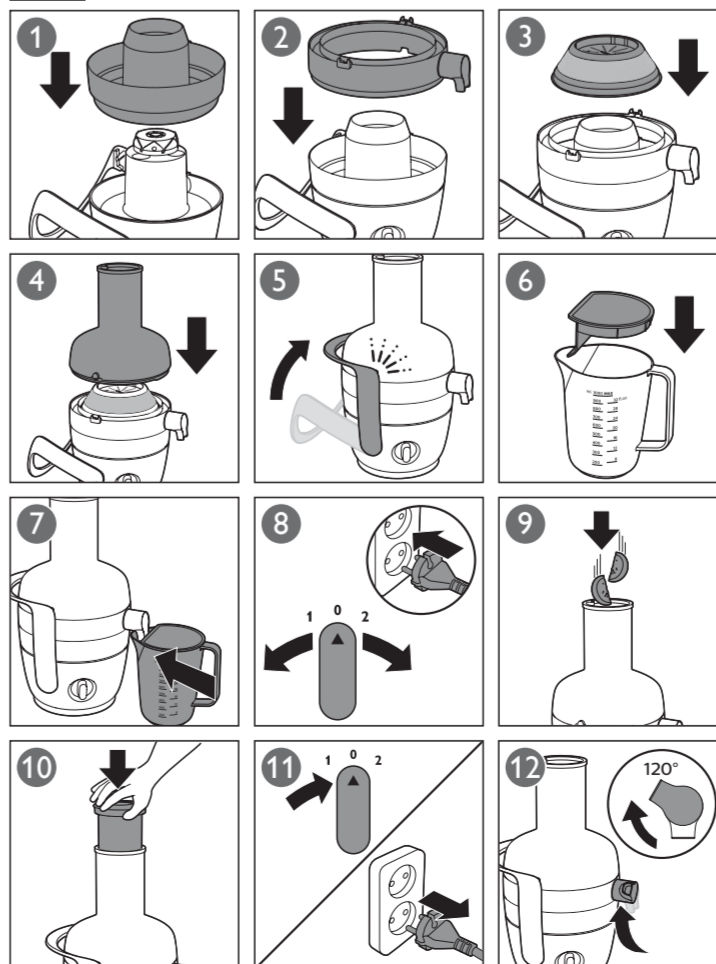
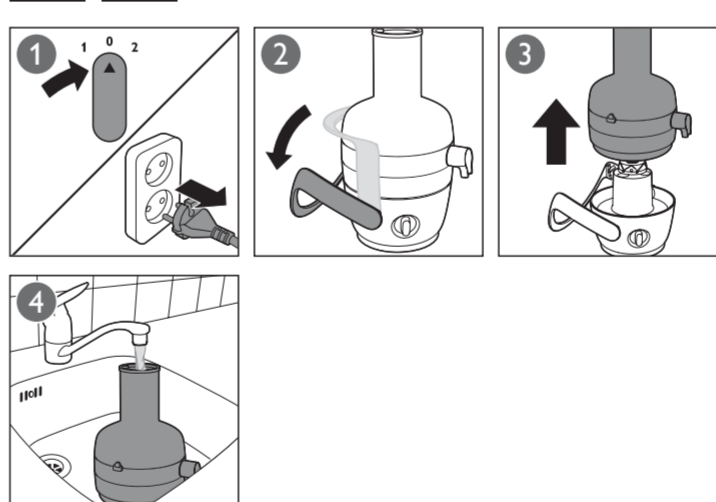
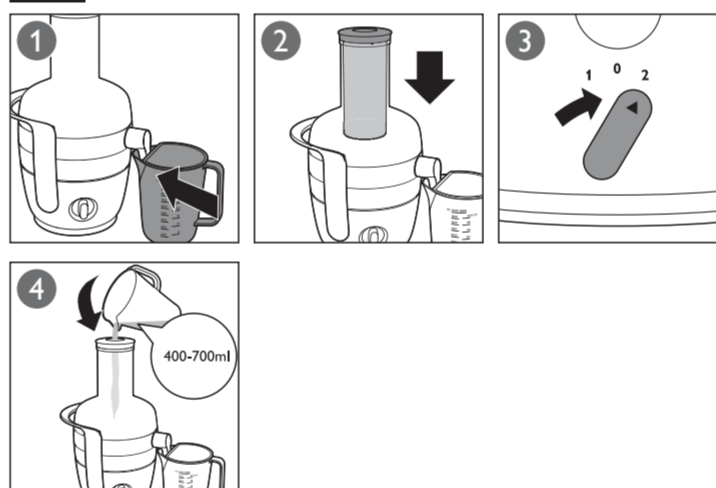
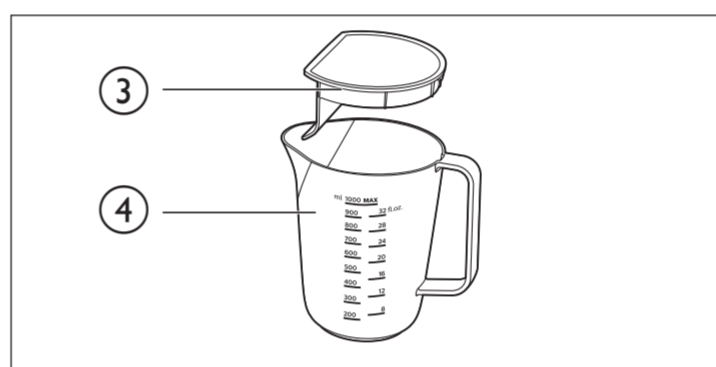
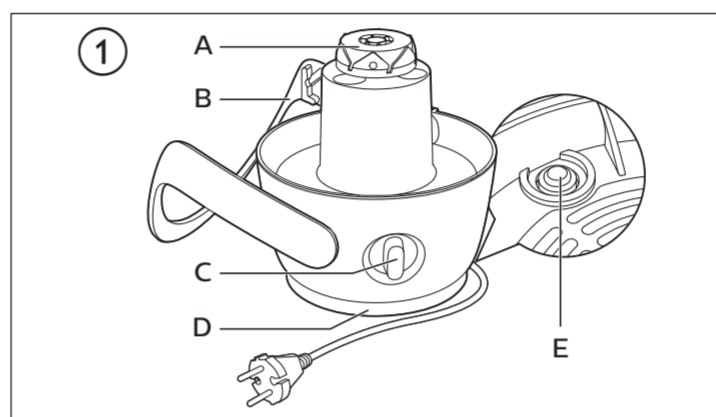
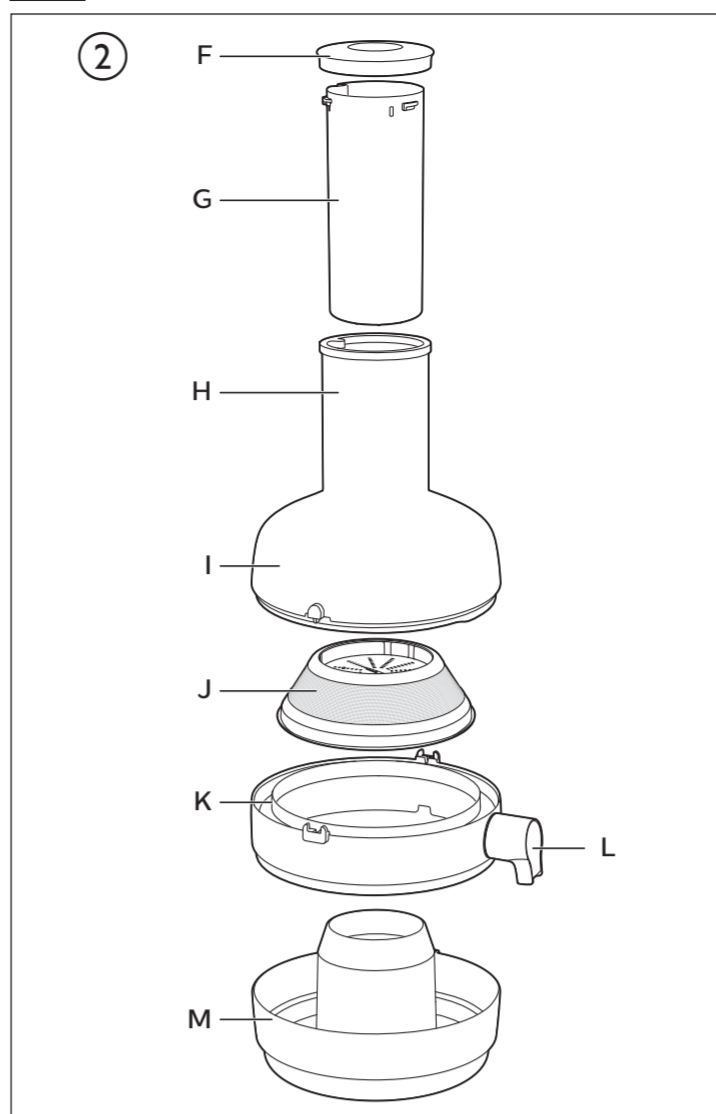
To buy accessories or spare parts, visit www.shop.philips.com/service or go to your Philips dealer. You can also contact the Philips Consumer Care Centre in your country (see the worldwide guarantee leaflet for contact details).

Recycling

- This symbol means that this product shall not be disposed of with normal household waste (2012/19/EU).
- Follow your country's rules for the separate collection of electrical and electronic products. Correct disposal helps prevent negative consequences for the environment and human health.

Guarantee and support

If you need information or support, please visit www.philips.com/support or read the separate worldwide guarantee leaflet.



PHILIPS

HR1915, HR1916
HR1917



www.philips.com

100% recycled paper
100% papier recyclé
4203 064 65091 D



