

ROG Front Base

Quick Start Guide

دليل التشغيل السريع

Кратко упу̀тване за бърз старт

Stručná příručka

Quick Start-vejledning

Snelstartgids

Lühijuhend

راهنمای شروع سریع

Guide de démarrage rapide

Pikakäynnistysopas

Schnellstarthilfe

Οδηγός γρήγορης έναρξης

Beüzemelési útmutató

Guida Rapida

Panduan Ringkas

クイックスタートガイド

Жылдам іске қосу нұсқаулығы

빠른 시작 설명서

Greitos darbo pradžios vadovas

Īsa pamācība

Hurtigstartsveiledning

Guia de consulta rápida

Instrukcja szybkiej instalacji

Краткое руководство

Ghid de pornire rapidă

Guía de inicio rápida

Vodič za brzo korišćenje

Stručný návod na spustenie

Snabbstartsguide

คู่มือเริ่มต้นอย่างเร็ว

Hızlı Başlatma Kılavuzu

Höðung daðn khòúi ñoäng nhanh

Package contents

Check your package for the following items.

Cables	1 x ROG_EXT cable 1 x high quality AAFP cable
Accessories	1 x ROG Front Base 1 x set of screws
Documentation	1 x ROG Front Base User Manual 1 x ROG Front Base Quick Start Guide
Software	1 x Support DVD - Drivers and applications

NOTE: If any of the above items is damaged or missing, contact your retailer.

Specifications summary

Display	4-inch LCD
I/O Ports	1 x USB 2.0 port 1 x Headphone out port 1 x Mic in port
Internal connectors	1 x SATA power connector 1 x ROG_EXT connector with 18-1 pin 1 x AAFP connector
Power	Voltage : +12V, +5V, +5VSB Power consumption : 3A
Dimensions	148.5mm x 85mm x 62mm
Installation requirements	2 x 5.25-inch drive bays 1 x SATA power cable from system power supply (Optional, but highly recommended)
Compatibility	ROG Maximus VI series motherboards, Rampage IV Black Edition motherboard, and other motherboards that supports the ROG_EXT port. <ul style="list-style-type: none"> Visit the ASUS website at www.asus.com for the latest motherboard support/compatibility lists. Visit the ASUS Support site at http://support.asus.com to check and download the latest ROG Front Base firmware. Update the BIOS of your compatible motherboard to the latest version for better compatibility with your ROG Front Base.

Australia statement notice

From 1 January 2012 updated warranties apply to all ASUS products, consistent with the Australian Consumer Law. For the latest product warranty details please visit <http://support.asus.com>. Our goods come with guarantees that cannot be excluded under the Australian Consumer Law. You are entitled to a replacement or refund for a major failure and compensation for any other reasonably foreseeable loss or damage. You are also entitled to have the goods repaired or replaced if the goods fail to be of acceptable quality and the failure does not amount to a major failure.

If you require assistance please call ASUS Customer Service 1300 2787 88 or visit us at <http://support.asus.com>

Manufacturer	ASUSTeK Computer Inc. Tel: +886-2-2894-3447 Address: No. 15, Li-Te Road, Beitou, Taipei 112, Taiwan
Authorised representative in Europe	ASUSTeK Computer GmbH Address: Harkort St. 21-23, D-40880 Ratingen, Germany

QE8673
First Edition
October 2013
Copyright © ASUSTeK Computer Inc.
All Rights Reserved




EC Declaration of Conformity

We, the undersigned, ASUSTeK COMPUTER INC.
Address: No. 15, Li-Te Rd., Beitou, Taipei 112, Taiwan
Country: TAIWAN
Authorized representative in Europe: ASUSTeK COMPUTER GMBH
Address: Harkort St. 21-23, D-40880 Ratingen, Germany
Country: GERMANY

Declare the following apparatus:
Product name: Front panel
Model name: Front Base

conform with the essential requirements of the following directives:
RoHS (EU) 2002/95/EC Directive
 EN 60962:2009
 EN 60962-2:2009
 EN 60962-3:2009
 EN 60962-4:2009
 EN 60962-5:2009
 EN 60962-6:2009
 EN 60962-7:2009
 EN 60962-8:2009
 EN 60962-9:2009
 EN 60962-10:2009
 EN 60962-11:2009
 EN 60962-12:2009
 EN 60962-13:2009
 EN 60962-14:2009
 EN 60962-15:2009
 EN 60962-16:2009
 EN 60962-17:2009
 EN 60962-18:2009
 EN 60962-19:2009
 EN 60962-20:2009
 EN 60962-21:2009
 EN 60962-22:2009
 EN 60962-23:2009
 EN 60962-24:2009
 EN 60962-25:2009
 EN 60962-26:2009
 EN 60962-27:2009
 EN 60962-28:2009
 EN 60962-29:2009
 EN 60962-30:2009
 EN 60962-31:2009
 EN 60962-32:2009
 EN 60962-33:2009
 EN 60962-34:2009
 EN 60962-35:2009
 EN 60962-36:2009
 EN 60962-37:2009
 EN 60962-38:2009
 EN 60962-39:2009
 EN 60962-40:2009
 EN 60962-41:2009
 EN 60962-42:2009
 EN 60962-43:2009
 EN 60962-44:2009
 EN 60962-45:2009
 EN 60962-46:2009
 EN 60962-47:2009
 EN 60962-48:2009
 EN 60962-49:2009
 EN 60962-50:2009
 EN 60962-51:2009
 EN 60962-52:2009
 EN 60962-53:2009
 EN 60962-54:2009
 EN 60962-55:2009
 EN 60962-56:2009
 EN 60962-57:2009
 EN 60962-58:2009
 EN 60962-59:2009
 EN 60962-60:2009
 EN 60962-61:2009
 EN 60962-62:2009
 EN 60962-63:2009
 EN 60962-64:2009
 EN 60962-65:2009
 EN 60962-66:2009
 EN 60962-67:2009
 EN 60962-68:2009
 EN 60962-69:2009
 EN 60962-70:2009
 EN 60962-71:2009
 EN 60962-72:2009
 EN 60962-73:2009
 EN 60962-74:2009
 EN 60962-75:2009
 EN 60962-76:2009
 EN 60962-77:2009
 EN 60962-78:2009
 EN 60962-79:2009
 EN 60962-80:2009
 EN 60962-81:2009
 EN 60962-82:2009
 EN 60962-83:2009
 EN 60962-84:2009
 EN 60962-85:2009
 EN 60962-86:2009
 EN 60962-87:2009
 EN 60962-88:2009
 EN 60962-89:2009
 EN 60962-90:2009
 EN 60962-91:2009
 EN 60962-92:2009
 EN 60962-93:2009
 EN 60962-94:2009
 EN 60962-95:2009
 EN 60962-96:2009
 EN 60962-97:2009
 EN 60962-98:2009
 EN 60962-99:2009
 EN 60962-100:2009

CE (EU conformity marking)

Position: CEO
Name: Jerry Shen
Signature: 

Declaration Date: 16/09/2013
Year to begin affixing CE marking: 2013

DECLARATION OF CONFORMITY
For FCC Part 15, Subpart B, Section 2.1077(a)

FCC

Responsible Party Name: Asus Computer International
Address: 800 Corporate Way, Fremont, CA 94539
Phone/Fax No: (510)739-3773/(510)608-4555

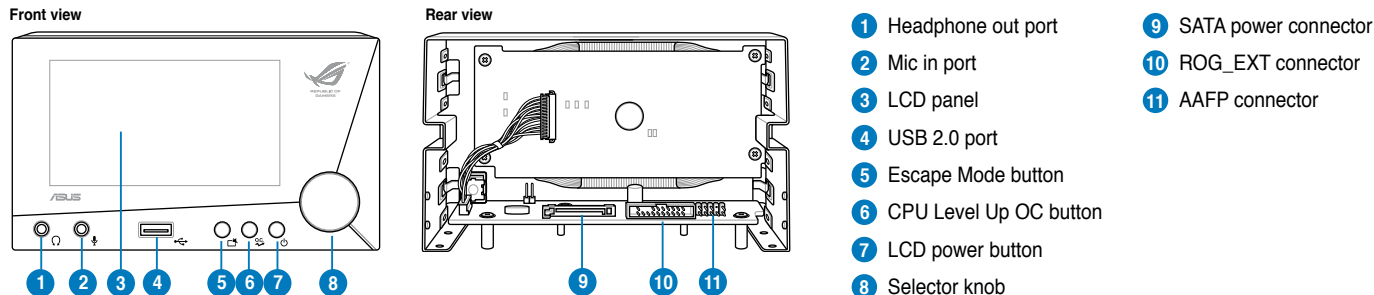
hereby declares that the product
Product Name: Front Panel
Model Number: Front Base

Conforms to the following specifications:
 FCC Part 15, Subpart B, Unintentional Radiators

Supplementary Information:
This device complies with part 15 of the FCC Rules. Operation is subject to the following two conditions: (1) This device may not cause harmful interference, and (2) this device must accept any interference received, including interference that may cause undesired operation.

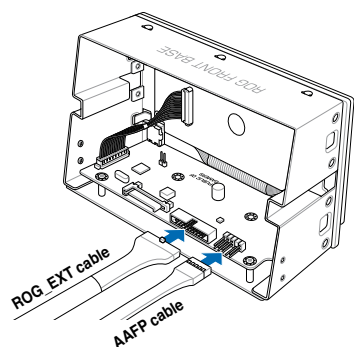
Representative Person's Name: Steve Chen / President
Signature: 
Date: Jun. 16, 2013

ROG Front Base Overview

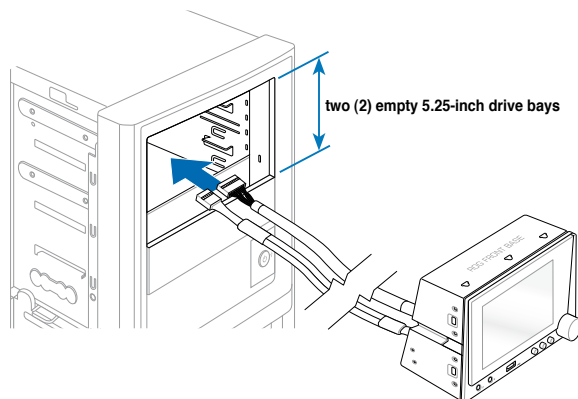


Installation steps

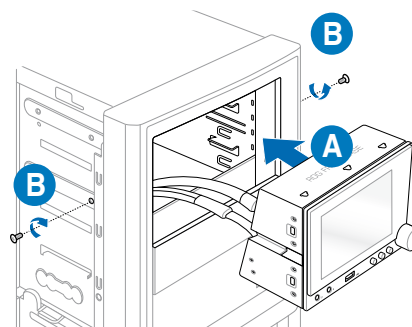
Step 1



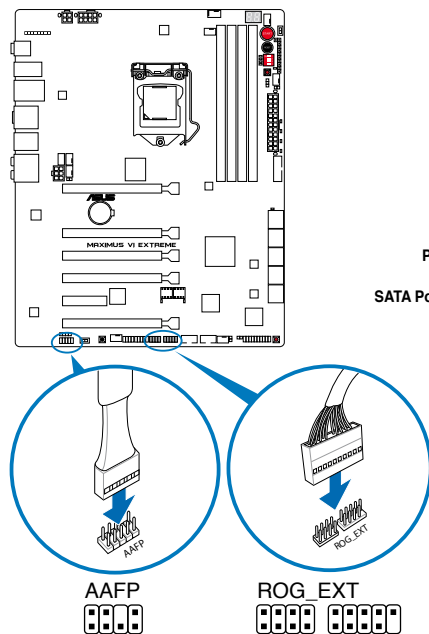
Step 2



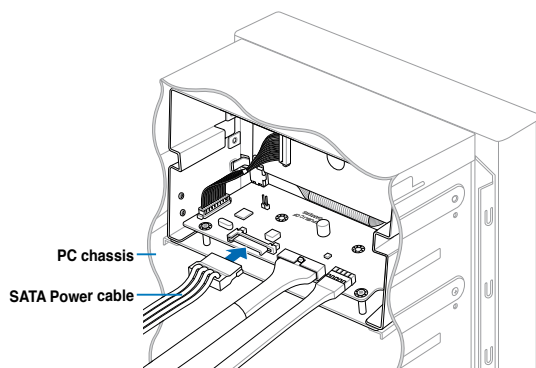
Step 3



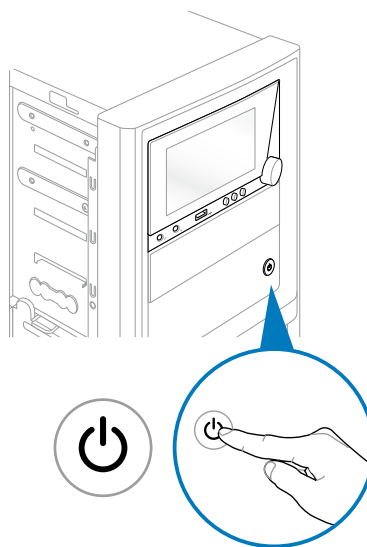
Step 4



Step 5



Step 6



ASUS contact information

ASUSTeK COMPUTER INC.

Address 15 Li-Te Road, Peitou, Taipei, Taiwan 11259
 Telephone +886-2-2894-3447
 Fax +886-2-2890-7798
 E-mail info@asus.com.tw
 Web site www.asus.com

Technical Support

Telephone +86-21-38429911
 Fax +86-21-5866-8722, ext. 9101#
 Online support http://support.asus.com/techserv/techserv.aspx

ASUS COMPUTER INTERNATIONAL (America)

Address 800 Corporate Way, Fremont, CA 94539, USA
 Telephone +1-510-739-3777
 Fax +1-510-608-4555
 Web site http://usa.asus.com

Technical Support

Telephone +1-812-284-0883
 Support fax +1-812-282-2787
 Online support http://support.asus.com/techserv/techserv.aspx

ASUS COMPUTER GmbH (Germany and Austria)

Address Harkort Str. 21-23, D-40880 Ratingen, Germany
 Fax +49-2102-959931
 Web site http://www.asus.com/de
 Online contact http://eu-rma.asus.com/sales

Technical Support

Telephone +49-2102-5789555
 Support Fax +49-2102-959911
 Online support http://support.asus.com/techserv/techserv.aspx