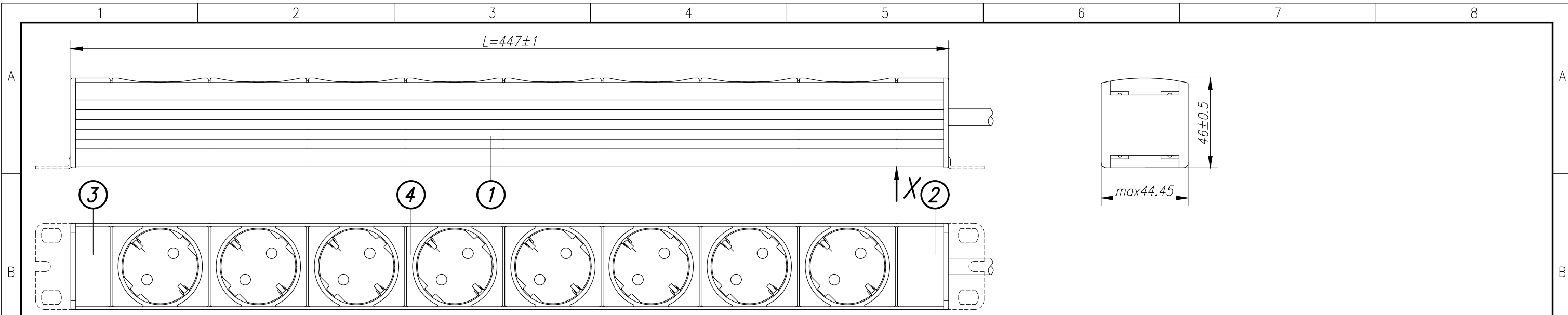
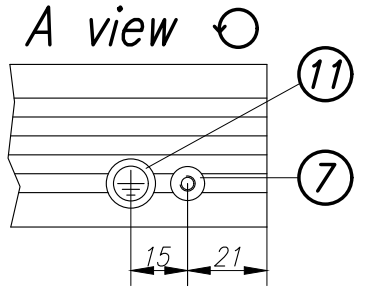
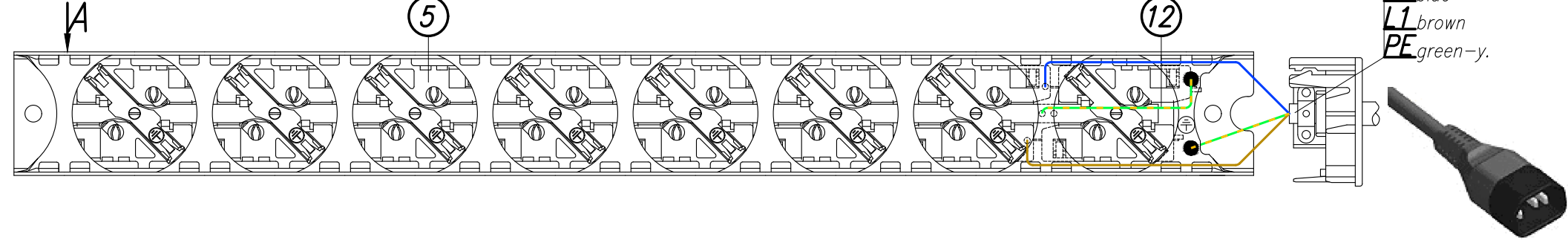


Disclosure and photocopying of this document, exploitation and communication of its contents are not permitted, unless permission is expressly granted. All rights are reserved.

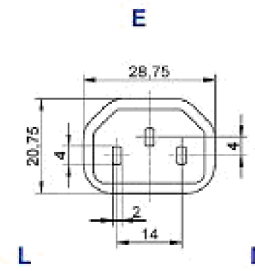
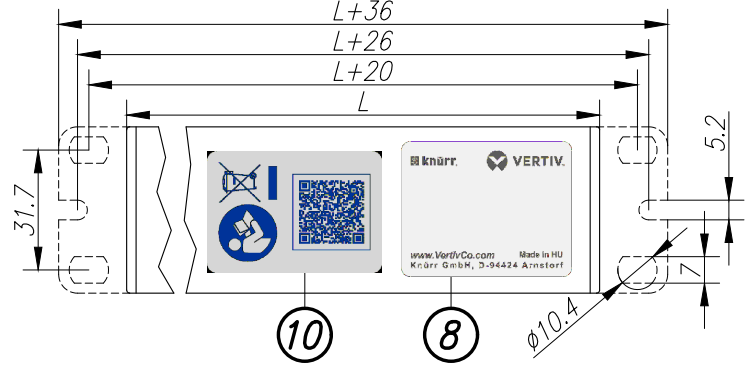
Weitergabe sowie Vervielfältigung dieser Unterlage, Verwertung und Mitteilung ihres Inhalts nicht gestattet, soweit nicht ausdrücklich zugestanden. Alle Rechte vorbehalten.



Internal wiring scheme, inlets and outlets shown frontside down



X view assembly dimensions (only for information purposes)



Achtung! Maximale Belastbarkeit 250V~ 10A!
Dosenleiste darf nur an Ausgänge mit 10A Absicherung angeschlossen werden!
Warning! Maximal allowed load 250V~ 10A!
Socket Strip should only be connected to 10A fused power outlets!

9 Vezetékre rögzíteni!
 Fixed on wire!

Example of label:

Technical data:
 - 8x DIN 49440 SCHUKO socket 16A
 socket spacing 50mm, torsion of sockets 45°

knürr. VERTIV.
DI-STRIP Compact
 100-240 Vac, 50-60 Hz
 Warning! Max. 10A

CE

03.300.308.1 YY/MM XXXXXX
 www.VertivCo.com Made in HU
 Knürr GmbH, D-94424 Arnstorf

- Operating temperature: 0 ... +50 °C

							Type selection	
Drawing no. / Description	L (mm)	Color of chassis	No. of sockets	Gross weight (kg)	Net weight (kg)	External dimensions of packing box (mm)		
03.300.308.6 DIS-EEC SE-10A 8P	447	RAL2003 pastel orange	8	1,14	0,98	480x60x80		
03.300.308.1 DIS-EEC SE-10A 8P	447	RAL7035 light grey	8	1,14	0,98	480x60x80		

12	1	ST	Vezeték zöld-sárga 1,5mm ²	Electric cord green-yellow	3.768.2673	L=60(EO-EO)
----	---	----	---------------------------------------	----------------------------	------------	-------------

A belső vezetékvezés komponensei. / Components of internal wiring.

<p>Load rating: 100-240 Vac, 50-60 Hz Input: 1x 10 A Output: 10 A</p>	<p>Approvals/certificates: - CE marking according to: LVD (low voltage directive), RoHS (restriction of hazardous substances) - BV-BG certification (factory inspected)</p>	<p>Power cord: Type: HARSJT 3x16AWG, black Length: 2,5m Plug: IEC60320 SHEET E 10A</p>	<p>Packaging: Packing box (csomagolódoboz) Supply schedule: Socket strip (1 piece) Mounting bracket (2 pieces) 3.768.2608 User manual (1 piece) 03.300.999.1</p>	<p>Dimensions in mm</p>	<p>General tolerances: ISO 2768-m</p> <p>Finish: Kovács</p> <p>Material: Szabó</p>	<p>Sheet: 1/1</p>
<p>Material/Finish: Chassis: closed sheet steel extrusion, zincplated, powder-coated texture Plastic parts: Vampamid 6 0024 VO (UL94) or similar, recyclable Internal conduction: brass conductor rails and copper wires Internal copper wires: H07V-K 1,5mm</p> <p>Color: Chassis: Plastic parts: RAL7035 light grey</p>	<p>Material:</p>	<p>Description:</p>	<p>DIS-EEC SE-10A 8P</p>	<p>Drawing no. Scale</p>	<p>Gross weight kg</p> <p>Net weight kg</p> <p>External dimensions of packing box mm</p>	<p>03.300.308.X</p>
<p>Rev. Change Date Name</p>	<p>Platine:</p>	<p>File:</p>	<p>VERTIV™</p>	<p>17990 28.06.17 Gali</p>	<p>Drawn: 24.11.2010 Kovács</p> <p>Checked: 24.11.2010 Szabó</p> <p>Approved:</p>	<p>Drawing no. Scale</p>