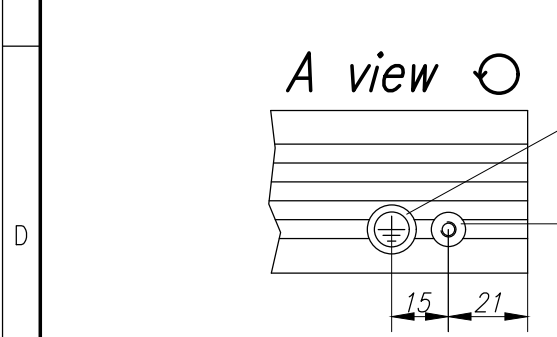
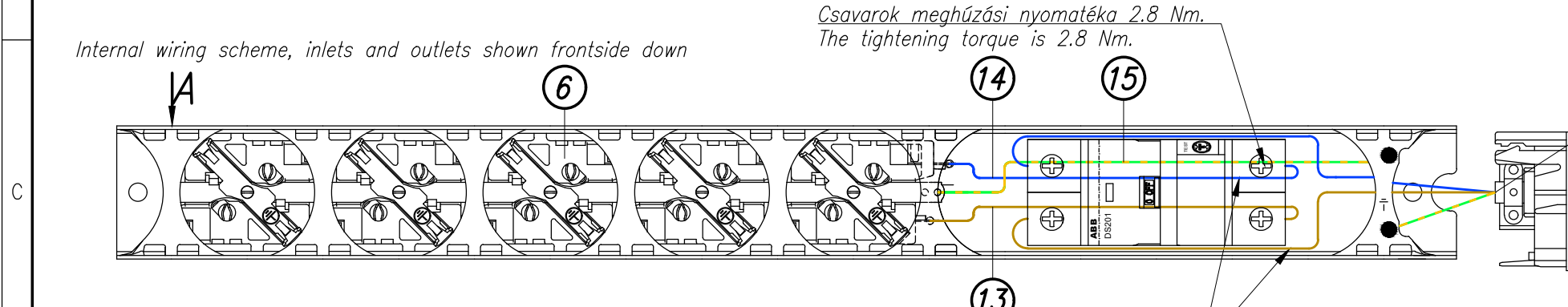
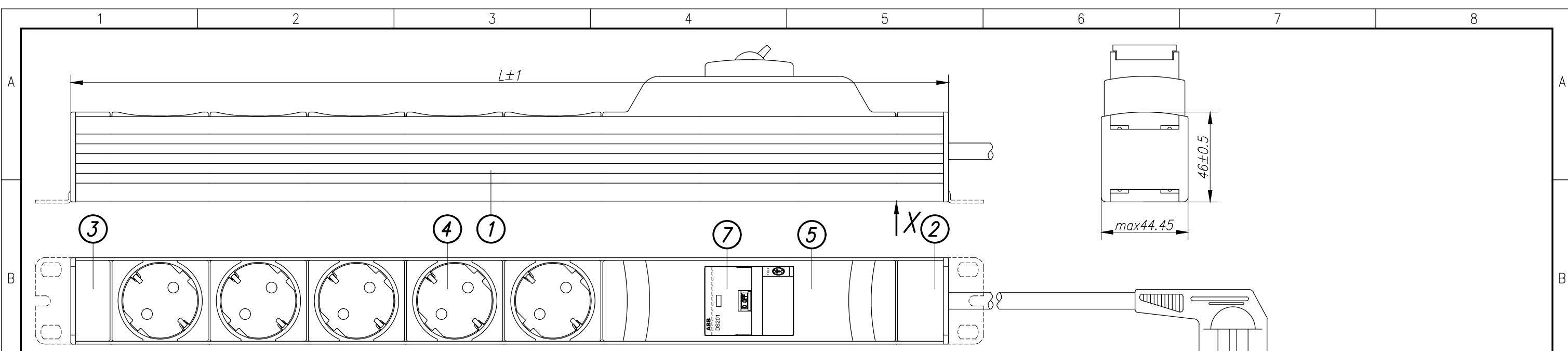
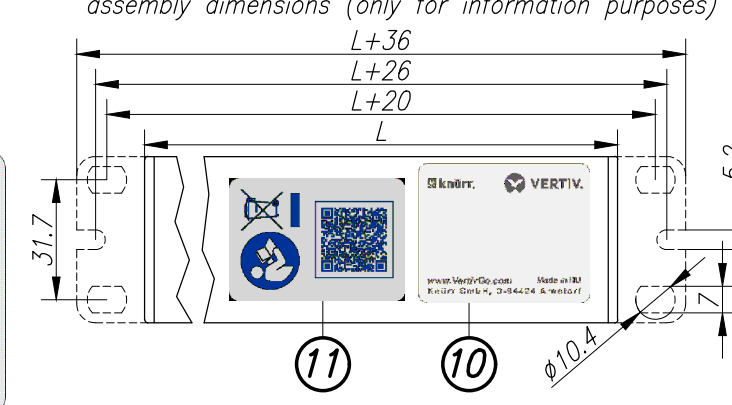
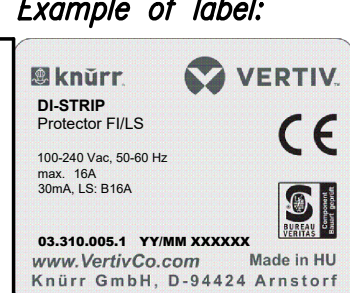


Disclosure and photocopying of this document, exploitation and communication of its contents are not permitted, unless permission is expressly granted. All rights are reserved.



Example of label:

Technical data:
 - DIN 49440 SCHUKO socket 16A
 socket spacing 50mm, torsion of sockets 45°
 - with residual current circuit-breaker with
 overcurrent protection, rated residual current
 30mA, B characteristic
 - Operating temperature: 0 ... +50 °C



Type selection

Drawing no.	Description	L (mm)	Color of chassis	No. of sockets	Gross weight (kg)	Net weight (kg)	External dimensions of packing box (mm)
03.310.013.1	DIS-EEV CEE7/7-16A 13P RCCB	847	RAL7035 light grey	13	1,92	1,69	1030x60x100
03.310.009.1	DIS-EEV CEE7/7-16A 9P RCCB	647	RAL7035 light grey	9	1,65	1,41	680x60x100
03.310.005.1	DIS-EEC CEE7/7-16A 5P RCCB	447	RAL7035 light grey	5	1,30	1,13	620x60x100

A belső vezetékvezés komponensei. / Components of internal wiring.

13	1	ST	Vezeték barna 1,5mm ²	Electric cord brown	8.768.3855	L=160(EO-EV)
14	1	ST	Vezeték kék 1,5mm ²	Electric cord blue	8.768.3162	L=160(EO-EV)
15	1	ST	Vezeték zöld-sárga 1,5mm ²	Electric cord green-yellow	3.768.2674	L=240(EO-EO)

Load rating:
 100-240 Vac, 50-60 Hz
 Input: 1x 16 A
 Output: 16 A

Material/Finish:
 Chassis: closed sheet steel extrusion, zincplated, powder-coated texture
 Plastic parts: Vampamid 6 0024 VO (UL94) or similar, recyclable
 Internal conduction: brass conductor rails and copper wires
 Internal copper wires: H07V-K 1,5mm²

Color:
 Chassis:
 Plastic parts: RAL7035 light grey

Approvals/certificates:
 - CE marking according to: LVD (low voltage directive), RoHS (restriction of hazardous substances)
 - BV-BG certification (factory inspected)

Power cord:
 Type: H05VV-F 3x1,5mm², white
 Length: 2,5m
 Plug: CEE VII/7, DIN49441 Form2

Packaging:
 Packing box (csomagolódoboz)
 Supply schedule:
 Socket strip (1 piece)
 Mounting bracket (2 pieces) 3.768.2608
 User manual (1 piece) 03.300.999.1

Dimensions in mm				General tolerances	Finish	Material	Sheet	
				ISO 2768-m			1/1	
				Drawn	22.09.2004	Szebényi	Description	
				Checked	22.09.2004	Szabó		
				Approved			DIS-EEV CEE7/7-16A RCCB	
						Drawing no.		Scale
Rev.	Change	Date	Name	Knürr GmbH Mariakirchener Straße 38 D-94424 Arnstorf Tel: +49 (0) 87 23-27-0		Gross weight	Net weight	External dimensions of packing box
Platine:				File:		kg	kg	mm

Weitergabe sowie Vervielfältigung dieser Unterlage, Verwertung und Mitteilung ihres Inhalts nicht gestattet, soweit nicht ausdrücklich zugestanden. Alle Rechte vorbehalten.