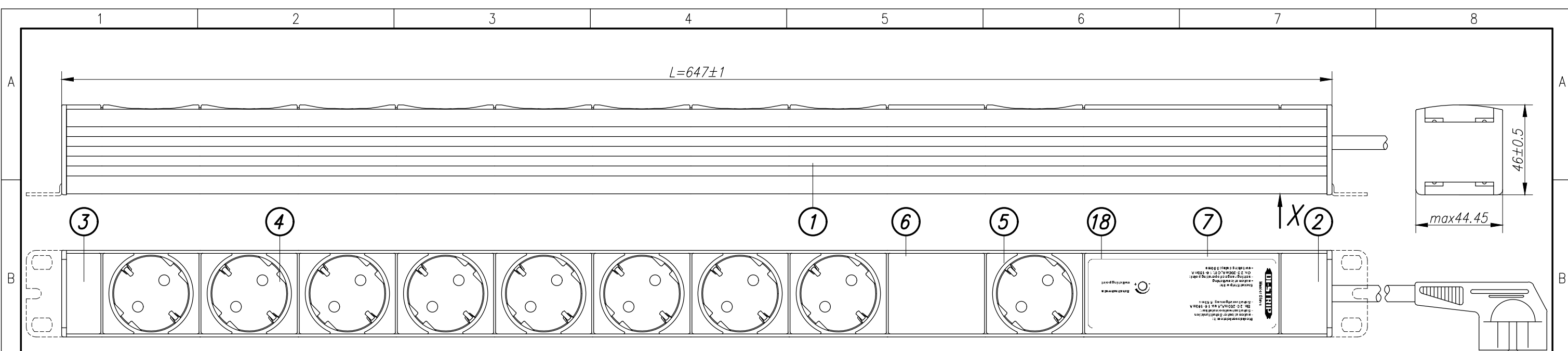
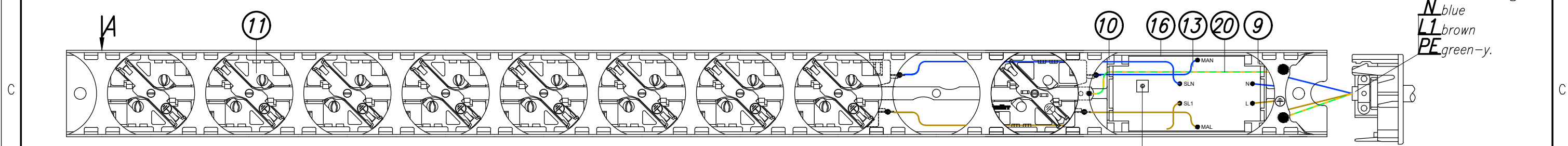


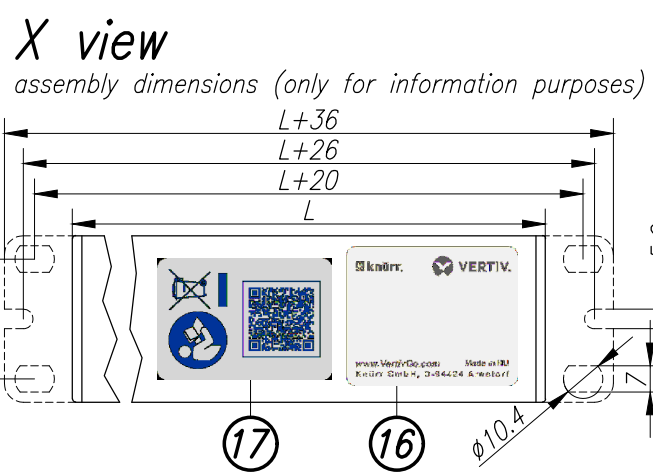
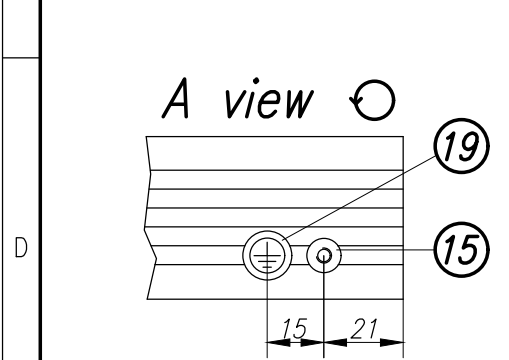
Disclosure and photocopying of this document, exploitation and communication of its contents are not permitted, unless permission is expressly granted. All rights are reserved.



Internal wiring scheme, inlets and outlets shown frontside down



N blue
L1 brown
PE green-y.



Technical data:
 - 9x DIN 49440 SCHUKO socket 16A
 socket spacing 50mm, torsion of sockets 45°
 - with Master Slave module

- Operating temperature: 0 ... +50 °C

knürr. VERTIV.
DI-STRIP MASTER SLAVE
 240 Vac, 50-60 Hz
 max. 16A
 max. 8A @ cos φ=0,4

03.314.009.1 YY/MM XXXXXX
 www.VertivCo.com Made in HU
 Knürr GmbH, D-94424 Arnstorf

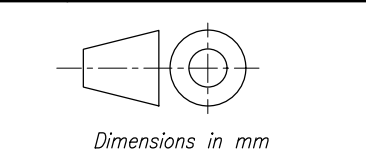
20	1	ST	Vezeték zöld-sárga 1,5mm ²	Electric cord green-yellow	3.768.2670	L=160(EO-EO)
----	---	----	---------------------------------------	----------------------------	------------	--------------

A belső vezetékezés komponensei. / Components of internal wiring.

Load rating:
 240 Vac, 50-60 Hz
 Input: 1x 16 A
 Output: 16 A

Approvals/certificates:
 - CE marking according to: LVD (low voltage directive), RoHS (restriction of hazardous substances)
 - BV-BG certification (factory inspected)
 - VDE-GS certification (factory inspected)

Power cord:
 Type: H05VV-F 3x1,5mm², white
 Length: 2,5m
 Plug: CEE VII/7, DIN49441 Form2



General tolerances		Finish		Material		Sheet
ISO 2768-m						1/1
Date		Name		Description		
Drawn	12.03.2010	Kovács		DIS-EEV CEE7/-16A 5P MS		
Checked	12.03.2010	Szabó				
Approved						
Drawing no.		Scale				

Material/Finish:
 Chassis: closed sheet steel extrusion, zincplated, powder-coated texture
 Plastic parts: Vampamid 6 0024 VO (UL94) or similar, recyclable
 Internal conduction: brass conductor rails and copper wires
 Internal copper wires: H07V-K 1,5mm²

Color:
 Chassis: RAL7035 light grey
 Plastic parts: RAL7035 light grey, RAL7021 black grey

Packaging:
 Packing box (csomagolódoboz)
 Supply schedule:
 Socket strip (1 piece)
 Mounting bracket (2 pieces) 3.768.2608
 User manual (1 piece) 03.300.999.1

Rev.	Change	Date	Name
B	18027	04.08.17	Gali

knürr

Knürr GmbH Mariakirchener Straße 38
 D-94424 Arnstorf Tel: +49 (0) 87 23-27-0

Gross weight	Net weight	External dimensions of packing box
1,41 kg	1,23 kg	680x60x75 mm

Platine: File:

Weitergabe sowie Vervielfältigung dieser Unterlage, Verwertung und Mitteilung ihres Inhalts nicht gestattet, soweit nicht ausdrücklich zugestanden. Alle Rechte vorbehalten.