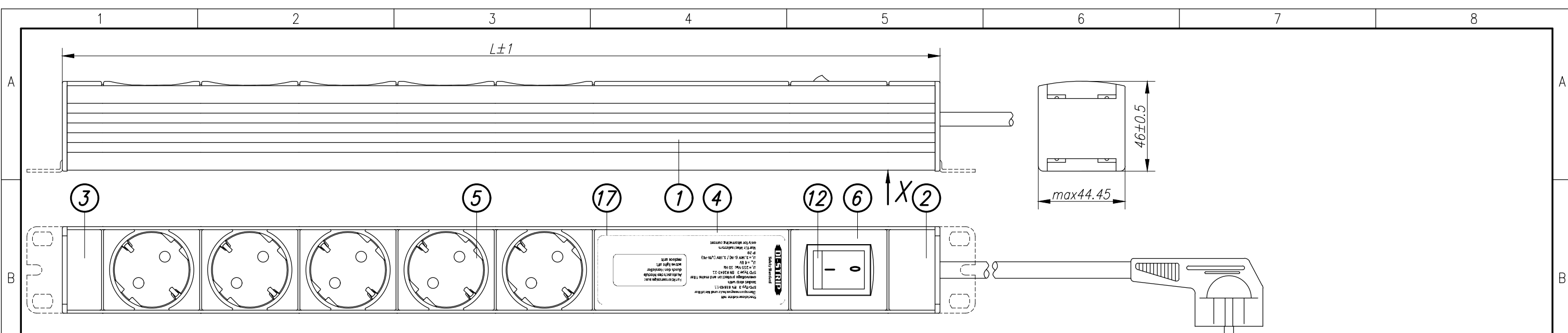
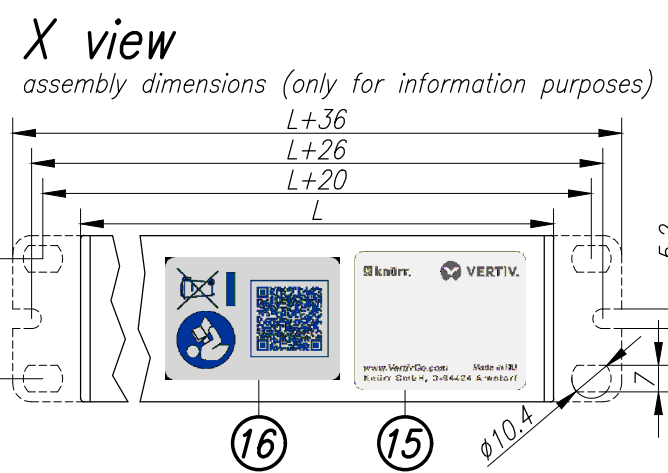
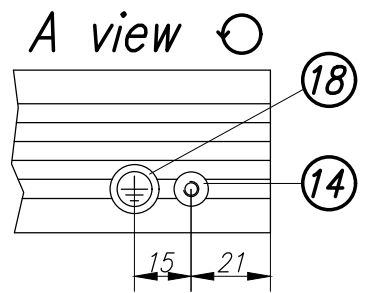
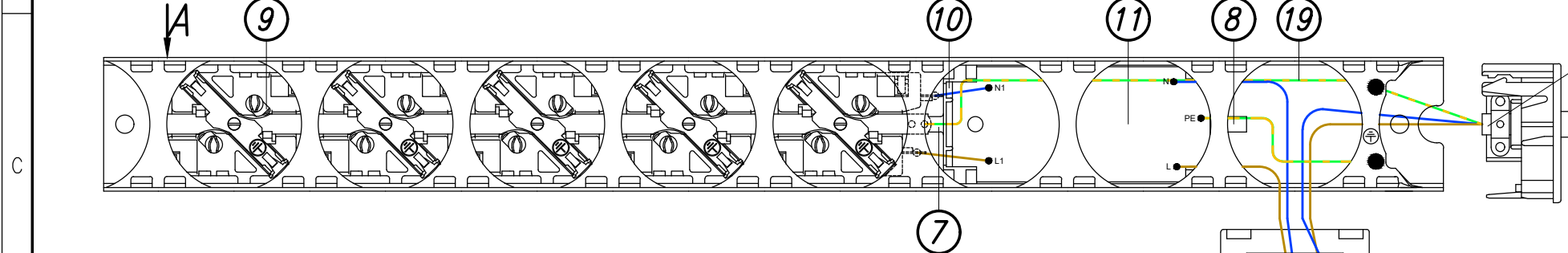


Disclosure and photocopying of this document, exploitation and communication of its contents are not permitted, unless permission is expressly granted. All rights are reserved.



Internal wiring scheme, inlets and outlets shown frontside down



Example of label:

Type selection							
Drawing no.	Description	L (mm)	Color of chassis	No. of sockets	Gross weight (kg)	Net weight (kg)	External dimensions of packing box (mm)
03.318.013.1	DIS-EEV CEE7/7-16A 13P SWSS	847	RAL7035 light grey	13	1,73	1,50	985x60x75
03.318.009.6	DIS-EEV CEE7/7-16A 9P SWSS	647	RAL2003 pastel orange	9	1,42	1,24	680x60x75
03.318.009.1	DIS-EEV CEE7/7-16A 9P SWSS	647	RAL7035 light grey	9	1,42	1,24	680x60x75
03.318.005.6	DIS-EEC CEE7/7-16A 5P SWSS	447	RAL2003 pastel orange	5	1,08	0,94	480x60x80
03.318.005.1	DIS-EEC CEE7/7-16A 5P SWSS	447	RAL7035 light grey	5	1,08	0,94	480x60x80

19	1	ST	Vezeték zöld-sárga 1,5mm ²	Electric cord green-yellow	3.768.2863	L=200(EO-EO)
----	---	----	---------------------------------------	----------------------------	------------	--------------

A belső vezetékvezés komponensei. / Components of internal wiring.

Technical data:

- DIN 49440 SCHUKO socket 16A socket spacing 50mm, torsion of sockets 45°
- with overvoltage protection module
- with mains filter
- with lit switch, 2-pole switching
- Operating temperature: 0 ... +50 °C

Approvals/certificates:

- CE marking according to: LVD (low voltage directive), RoHS (restriction of hazardous substances)
- BV-BG certification (factory inspected)

Power cord:

Type: H05VV-F 3x1,5mm², white
 Length: 2,5m
 Plug: CEE VII/7, DIN49441 Form2

Material/Finish:

Chassis: closed sheet steel extrusion, zincplated, powder-coated texture
 Plastic parts: Vampamid 6 0024 VO (UL94) or similar, recyclable
 Internal conduction: brass conductor rails and copper wires
 Internal copper wires: H07V-K 1,5mm²

Color:

Chassis:
 Plastic parts: RAL7035 light grey

Packaging:

Packing box (csomagolódoboz)
 Supply schedule:
 Socket strip (1 piece)
 Mounting bracket (2 pieces) 3.768.2608
 User manual (1 piece) 03.300.999.1

<p>Dimensions in mm</p>	General tolerances		Finish	Material	Sheet 1/1	
	ISO 2768-m					
	Drawn	23.09.2004	Kovács	Description		
Checked	23.09.2004	Szabó	DIS-EEV CEE7/7-16A SWSS			
Approved						
Drawing no.		Scale		03.318.005.X-013.X		
C 18027 07.08.17 Gali						
Rev.	Change	Date	Name	Gross weight	Net weight	External dimensions of packing box
				kg	kg	mm
Platine:			File:			

Knürr GmbH Mariakirchener Straße 38
 D-94424 Arnstorf Tel: +49 (0) 87 23-27-0

Weitergabe sowie Vervielfältigung dieser Unterlage, Verwertung und Mitteilung ihres Inhalts nicht gestattet, soweit nicht ausdrücklich zugestanden. Alle Rechte vorbehalten.